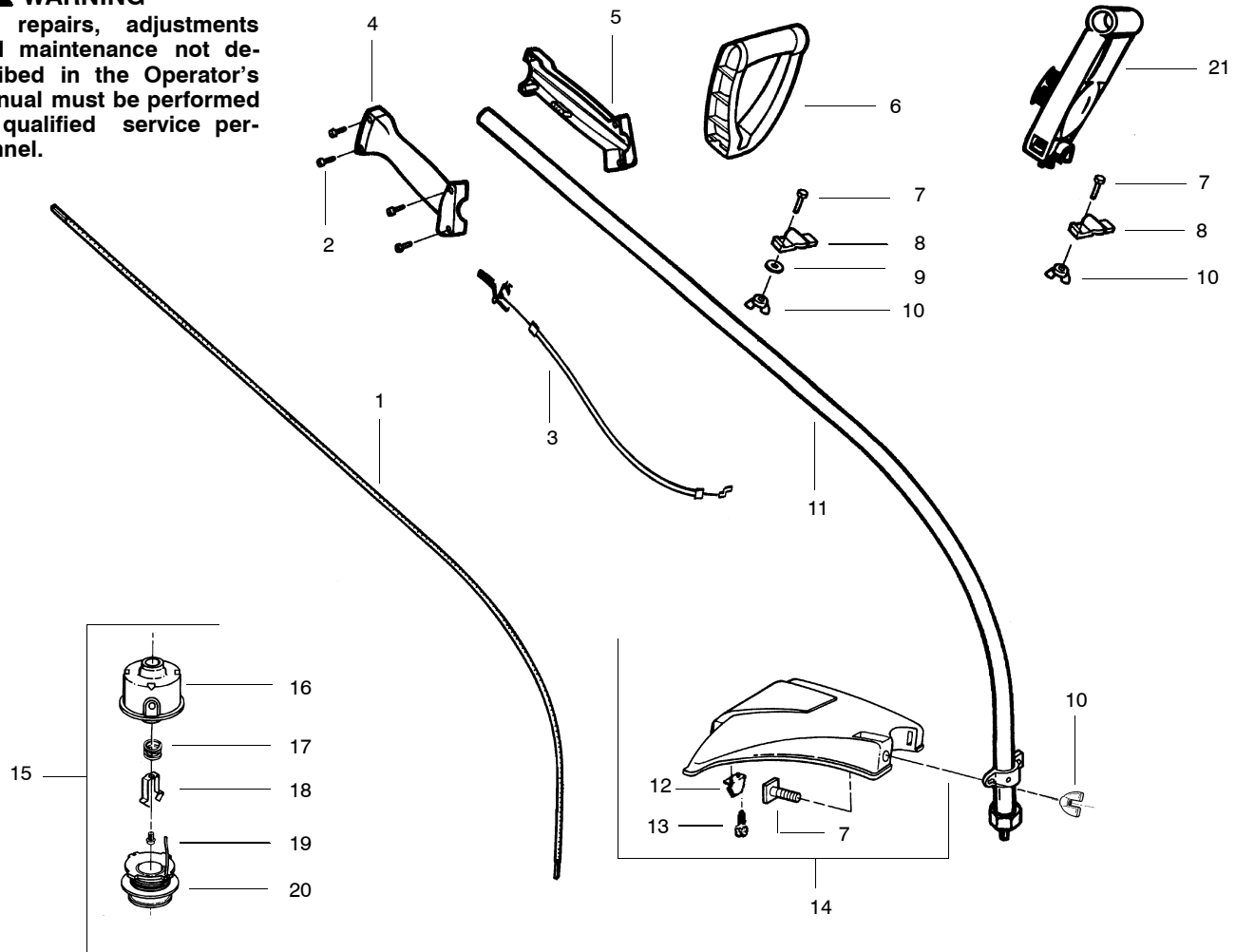


PARTS LIST NO. 530084032		WEED EATER® PARTS LIST	MODEL(s) FL21, XT25, Featherlite, Featherlite Plus & XT200
DATE 02/22/00	REPLACES 530083595-7/20/99		Note: Illustration may differ from actual model due to design changes

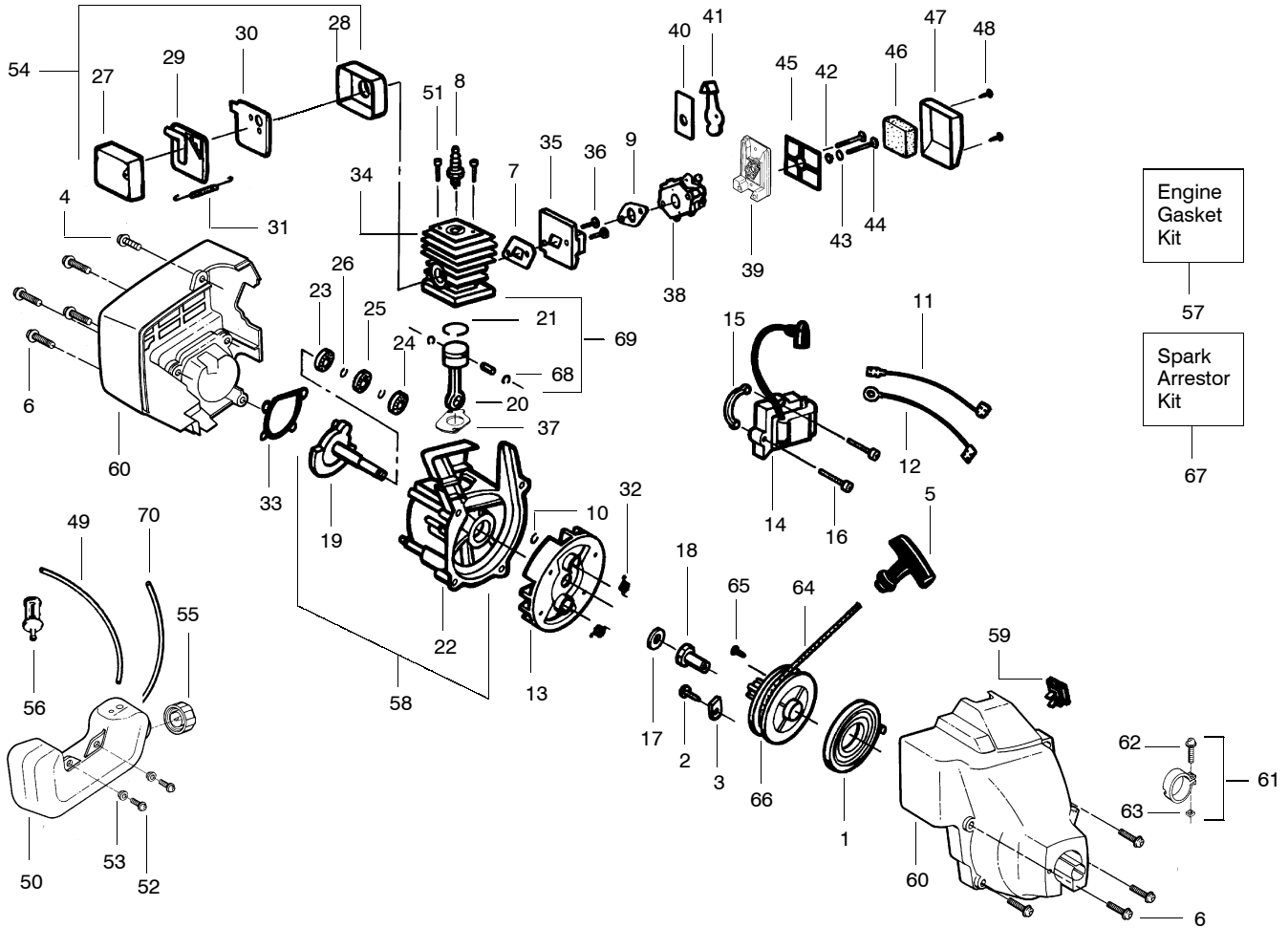
⚠ WARNING
All repairs, adjustments and maintenance not described in the Operator's Manual must be performed by qualified service personnel.



Ref.	Part No.	Description	Ref.	Part No.	Description
1.	— 530095613 530095423 *****	Drive Shaft XT25, Featherlite, XT200 – 45" Featherlite Plus – 51" FL21 (See Service Reference 1)	13.	— 530015957 530015886	Screw—Line Limiter FL21, XT25, Featherlite, XT200 Featherlite Plus
2.	530016273	Screw—Throttle Hsg.	14.	— 530069686 530069759	Shield Kit Ass'y. (Incl. 7, 10, 12 & 13) FL21, XT25, Featherlite, XT200 Featherlite Plus
3.	530053797	Throttle Cable Ass'y. (Includes Trigger)	15.	952701666	Cutting Head Ass'y. (Incl. 16–20)
4.	530038581	Throttle Hsg. (Right)	16.	530069690	Hub Ass'y
5.	530038580	Throttle Hsg. (Left)	17.	530401464	Spring—Compression
6.	530038708	Assist Handle	18.	530401466	Clip—Retainer—Head
7.	530015820	Bolt—Handle/Shield	19.	530401467	Screw w/ Washer —Head
8.	530094742	Clamp—Handle	20.	952711527	Spool w/Line
9.	530092062	Washer—Handle	21.	952701701	Handle Spool Buddy
10.	530401992	Wingnut—Handle/Shield		Not Shown	
11.	— 530069883 530069880 *****	Drive Shaft Hsg. Ass'y XT25, Featherlite, XT200 – 45" Featherlite Plus – 51" FL21 (See Service Reference 1)		530087310 530047899 530047665	Operator Manual Shaft Warning Decal Stop Decal
12.	— 530052287 530052286	Line Limiter FL21, XT25, Featherlite, XT200 Featherlite Plus			

✓ = NEW PART NUMBER FOR THIS IPL * = REFER TO THE SERVICE REFERENCE INDICATED FOR MORE INFORMATION. (LOCATED AT END OF IPL)

[Order Weed Eater parts on eBay](https://www.ebay.com)



Ref.	Part No.	Description	Ref.	Part No.	Description	Ref.	Part No.	Description
1.	530042085	Starter Spring	29.	530038602	Muffler Baffle—Exit	53.	530016131	Washer— Fuel Tank
2.	530015775	Screw—Pulley	30.	530036579	Muffler Baffle—First	54.	530069660	Muffler Kit
3.	530027523	Retainer—Pulley	31.	530016197	Muffler Spring	55.	530014347	Fuel Cap Ass'y.
4.	530015934	Screw—Shrd/Fan Hsg.	32.	530023817	Spring—Starter Dog	56.	530014362	Fuel Pickup Ass'y.
5.	530027569	Starter Handle	33.	530019181	Gasket—C'case	57.	530069616	Engine Gasket Kit (Incl. 7,9,33,37)
6.	530015810	Screw	34.	—	Cylinder Kit	58.	530014729	C'case & C'shaft Ass'y. (Incl. 10,19,22—26)
7.	530019233	Gasket—Cylind./Carb.	35.	530047659	Carb. Adaptor	59.	530038114	On/Off Switch
8.	952030201	Spark Plug (RCJ 8Y)	36.	530016014	Screw—Carb Adaptor	60.	530069685	Fan Housing/Shroud Ass'y
9.	530019194	Gasket—Carb.	37.	530019223	Gasket—Cylinder	61.	530038720	Nose Cone Clamp Ass'y. (Incl. 62 & 63)
10.	530015945	Retainer Ring—C'case	38.	—	Carburetor Ass'y. Kit	62.	530015650	Screw—Nose Cone
11.	530014663	Lead Wire Ass'y.	39.	530052431	Air Box	63.	530016124	Nut—Nose Cone
12.	530014662	Ground Wire Ass'y.	40.	530038747	Choke Plate	64.	530069232	Rope Kit
13.	530039149	Flywheel Ass'y.	41.	530038686	Choke Shutter	65.	530016080	Screw—Rope Retain.
14.	530039163	Ignition Module	42.	530015254	Washer	66.	530069400	Starter Pulley Kit (Incl. 65)
15.	530036145	Spacer— Ignit. Module	43.	530015852	Choke Spacer	67.	530069380	Spark Arrestor Kit
16.	530015954	Screw—Ignit. Module	44.	530015887	Screw	68.	530015162	Piston Pin Retainer
17.	530015828	Washer—Flat	45.	530036569	Filter Plate	69.	—	Piston Kit (Incl. 21,68 & Pin)
18.	530038604	Drive Coupling	46.	530036575	Air Filter Foam		530069613	XT25, Featherlite
19.	530014532	Crankshaft Ass'y.	47.	530036568	Air Filter Cover		530069621	FL21, Featherlite Plus & XT200
20.	530069615	Connecting Rod Ass'y.	48.	530015957	Screw—Air Box	70.	530069216	Fuel Line Kit (Large Line)
21.	—	Piston Ring	49.	530069247	Fuel Line Kit (Small Line)			
	530029924	XT25, Featherlite	50.	530049296	Fuel Tank Ass'y			
	530036404	FL21, Featherlite Plus & XT200	51.	530015953	Screw—Cylinder			
22.	530014861	Crankcase Ass'y. (Incl 23—26)	52.	530015814	Screw—Fuel Tank			
23.	530032125	Inner Bearing						
24.	530032124	Outer Bearing						
25.	530019179	C'case Seal						
26.	530015941	Retain. Ring—C'shaft						
27.	530036578	Muffler Body						
28.	530036577	Muffler Cover						

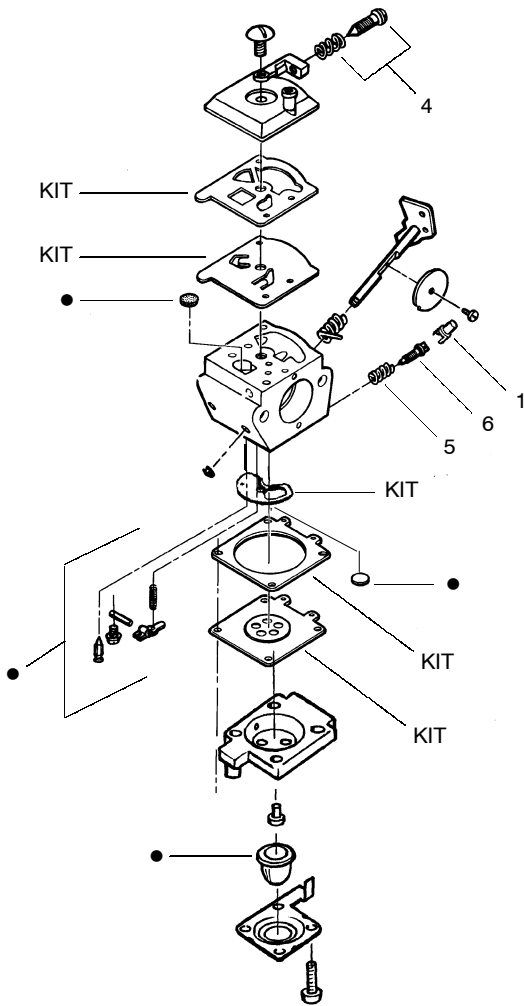
★ = NEW PART NUMBER FOR THIS IPL

* = REFER TO THE SERVICE REFERENCE INDICATED FOR MORE INFORMATION. (LOCATED AT END OF IPL)

[Order Weed Eater parts on eBay](https://www.ebay.com/str/weedeaterparts)

Carburetor Assembly Kits

WA223-#530069642 - Type 1



Carb.
Repair
Kit

2

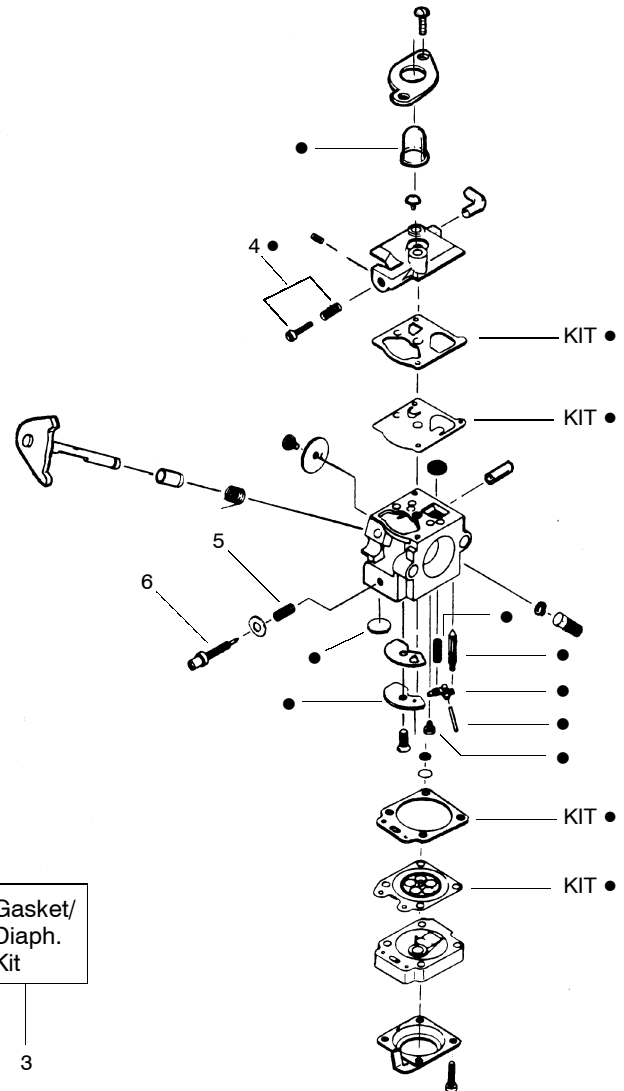
Gasket/
Diaph.
Kit

3

WA224-#530069770 - Type 2

WA226-#530069754 - Type 3

C1U-W7 Zama - See Service Ref.



Ref.	Part No.	Description
1.	530038404	Limiter Cap
2.	-	Carburetor Repair Kit (● Indicates Contents)
	530069839	WA223
	530069838	WA224 & WA226
	530069969	C1U-W7 (Zama)
3.	-	Gasket/Diaphragm Kit (KIT= Indicates Contents)
	530069844	WA223, WA224 & WA226
	530069970	C1U-W7 (Zama)
4.	530035296	Idle Screw & Spring Kit
5.	530035342	Low Speed Spring
6.	530035341	Low Speed Needle
Zama Carburetor Service Reference		
	★★★★★	If replacing the complete Zama Carburetor, it is not serviceable; you will need to order #530069754 Walbro Carburetor Ass'y.

[Order Weed Eater parts on eBay](https://www.ebay.com)

PARTS LIST NO. 530084032		WEED EATER® PARTS LIST	MODEL(s) FL21, XT25, Featherlite, Featherlite Plus & XT200
DATE 02/22/00	REPLACES 530083595-7/20/99		Note: Illustration may differ from actual model due to design changes

SERVICE REFERENCE

1. The Weedeater FL21 was built using (2) different Drive Shaft and Driveshaft Housings.
When ordering a replacement, measure the length of the Drive Shaft and order accordingly.

Drive Shaft
530095613-45"
530095423-51"

Driveshaft Housing Ass'y.
530069883-45"
530069880-51"