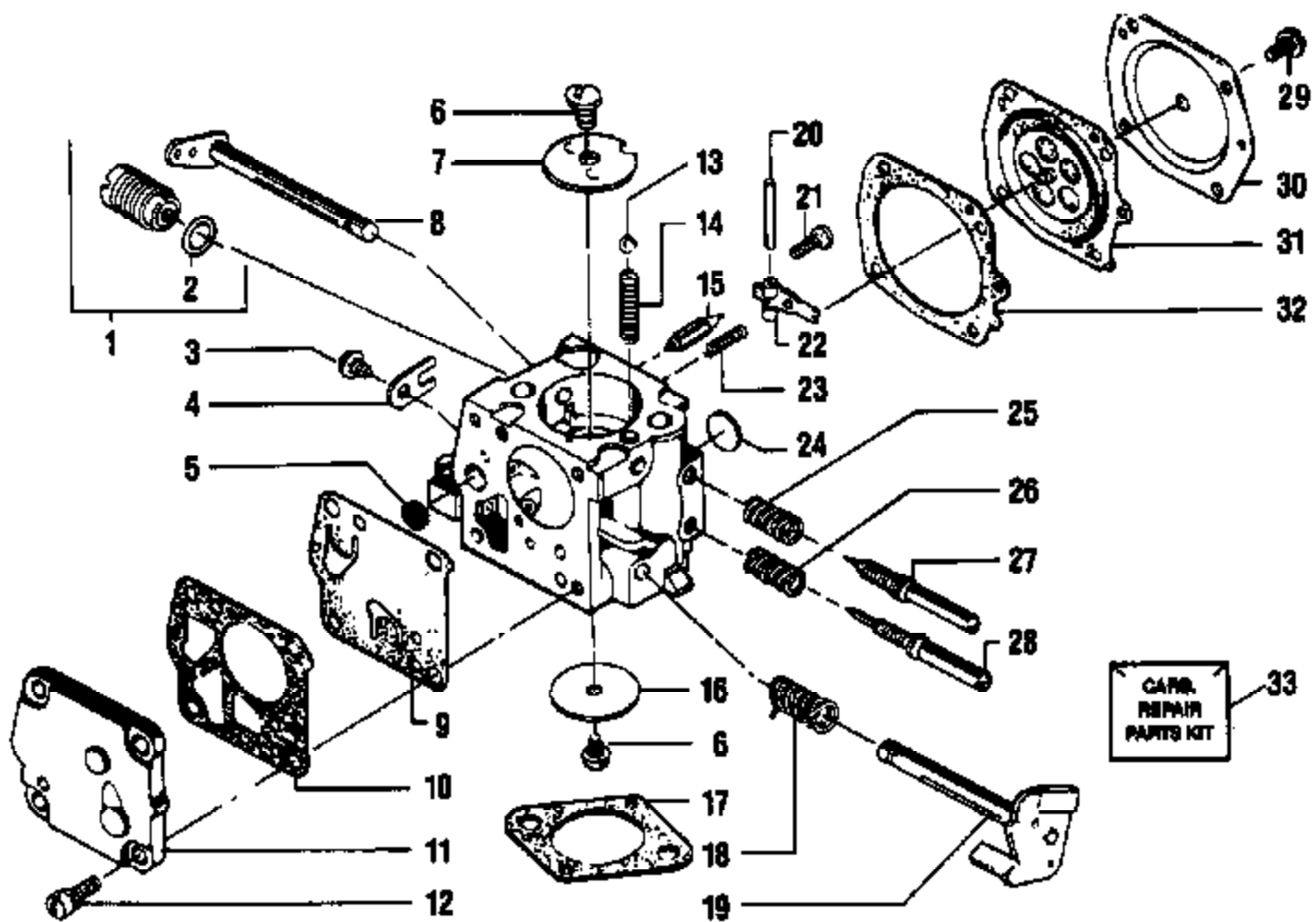


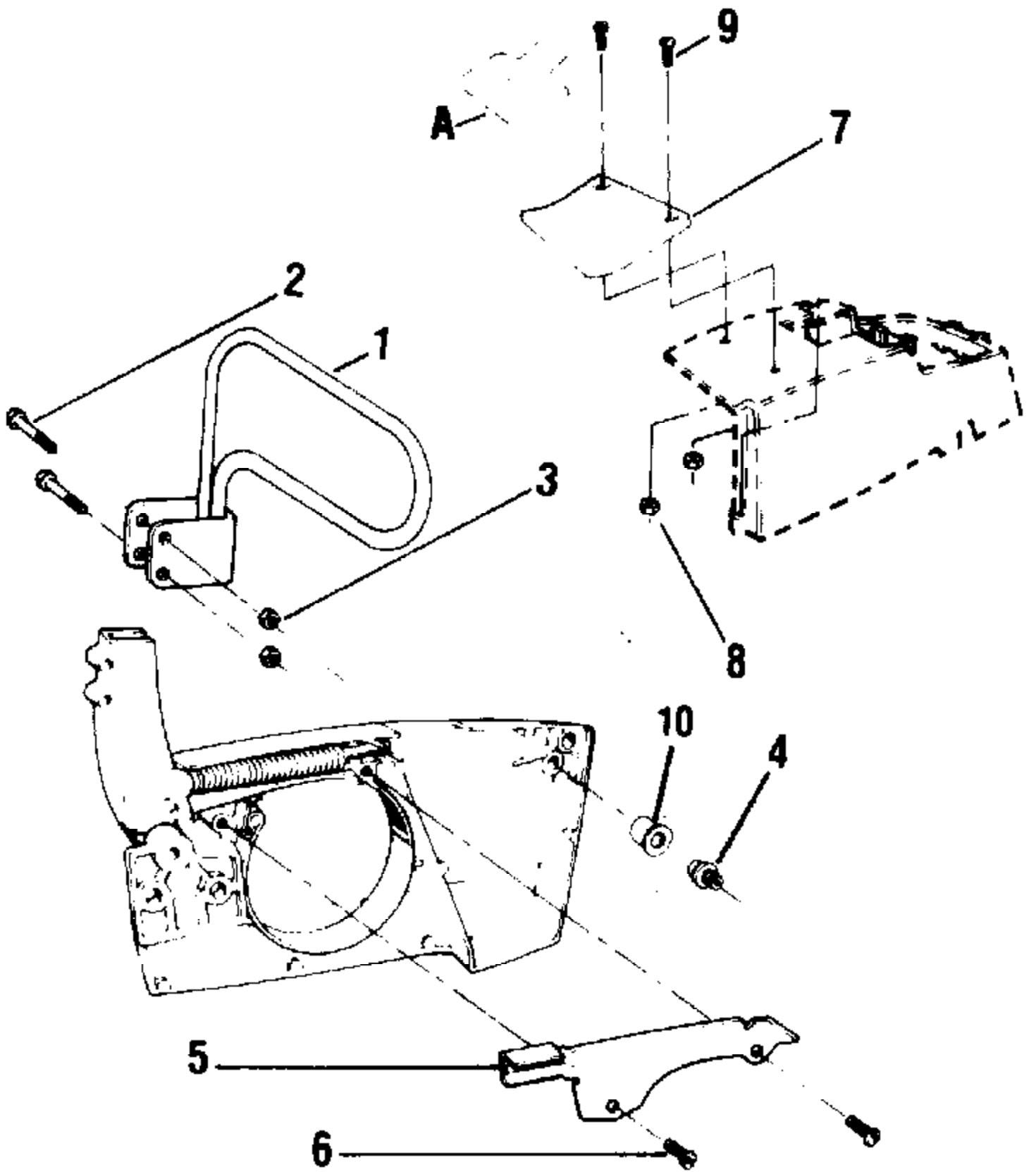
Ref #	Part Number	Qty	Description
1	530001725	4	Locknut - 12 - 24
2		2	Chain Guard - Upper & Lower
	530011275		13" Bow Guide
	530022162		14" Bow Guide
3	530001709	4	Screw - Guide Mtg. (12 - 24 x 5/8) Hex Head
4	530625567	2	Screw - Guard Mtg. (1/4 - 20 x 1-3/4 Hex Head)
5	530001208	1	Bumper Spike - Right
6	530001207	1	Bumper Spike - Left
7	530001615	2	Locknut - Bumper Spike Mtg. (1/4-20)
8		1	Bow Guide (See Bow & Chain Information)
9		1	Bow Guide (See Bow & Chain Information)
10	530048076	1	Drum and Sprocket Ass'y. (For .404 pitch only)
11	530055044	1	8500 Gas Saw Tip
0	000481	1	BOWGUIDE ASSEMBLY
	000482		13" Reversible Bow Attachment (.050 gauge)
	000483		14" Reversible Bow Attachment (.050 gauge)
	000483		14" Reversible Bow Attachment (0.63 gauge)
A	530025384	1	Decal - Bow Guide Warning
	530025383	1	Decal - Handguard (Not Shown)



Ref #	Part Number	Qty	Description
1	530034112	1	Governor Valve Assembly (incl. #2)
2	530034024	1	Gasket-Governor Valve
3	530003784	1	Screw-Throttle Shaft Clip Retainer
4	530003783	1	Clip-Throttle Shaft
5	530003780	1	Inlet Screen
6	530003784	1	Shutter Screw & Lockwasher
7	530034107	1	Choke Shutter
8	530034106	1	Choke Shaft & Lever
9	530003771	1	Fuel Pump Diaphragm
10	530003772	1	Fuel Pump Gasket
11	530003773	1	Fuel Pump Cover
12	530003774	4	Screw and Lockwasher-Fuel Pump Cover Retainer
13	530003765	1	Choke Friction Ball
14	530003424	1	Choke Friction Spring
15	530003779	1	Needle-Inlet
16	530003416	1	Throttle Shutter
17	530019082	1	Gasket
18	530034103	1	Spring-Throttle Shaft Return
19	530034102	1	Throttle Shaft & Lever
20	530003777	1	Pin-Inlet Pinion
21	530003778	1	Screw-Inlet Pinion Pin Retainer
22	530003776	1	Lever-Inlet Control
23	530003727	1	Spring-Inlet Tension
24	530003764	1	Plug-Body Channel Welch (Large)
25	530034109	1	Spring-High Speed Mixture Spring (Blue)
26	530034108	1	Spring-Idle Mixture Screw (Yellow)
27	530034101	1	HIGH SPEED SCREW
	535034101	1	DRIVE WHEEL
28	530034099	1	Screw-Idle Mixture
29	530003717	4	Screw & Lockwasher-Diaphragm
30	003770	1	Cover-Diaphragm (Dana part number)
31	530003769	1	Diaphragm
32	530003768	1	Gasket-Diaphragm
33	530034023	1	Carb.- Repair Parts Kit (Inc. 5,9,10,15, 17,22,24,31,32)

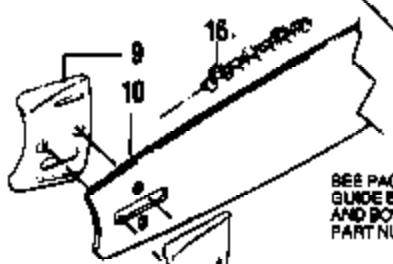
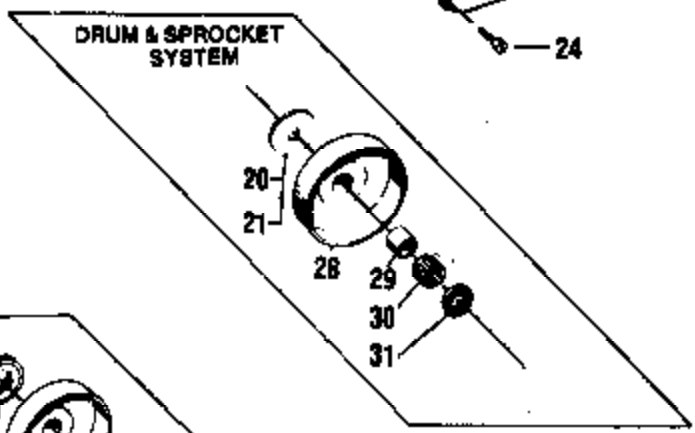
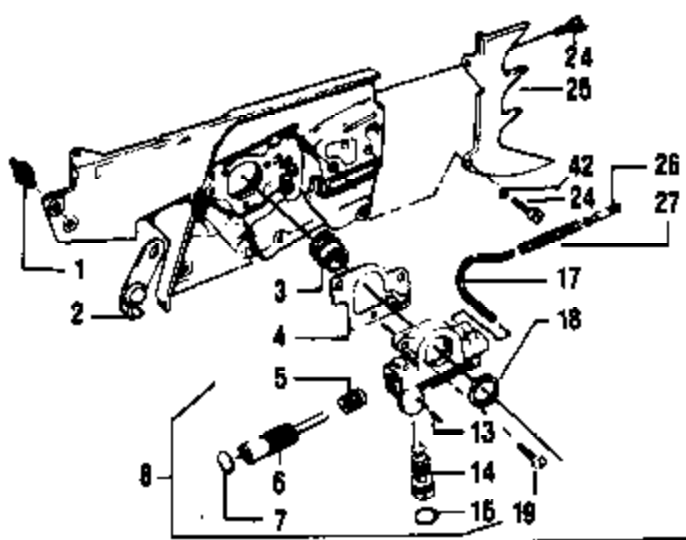
8500 Gas Saw, Page 4 of 19

CARBURETOR BREAKDOWN

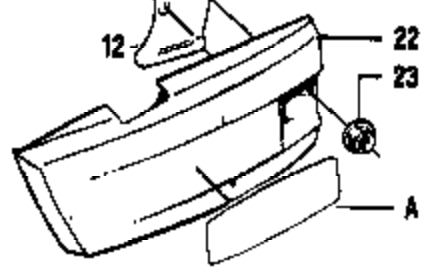
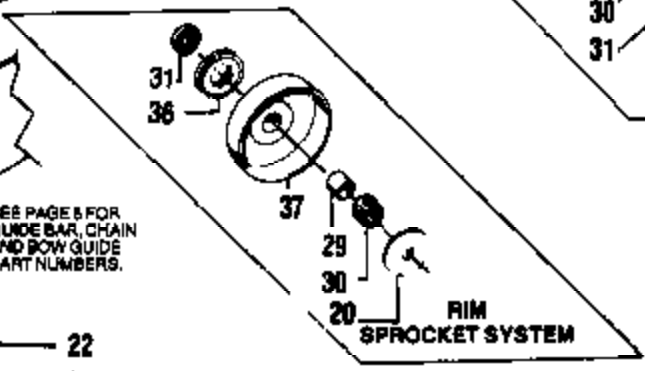


Ref #	Part Number	Qty	Description
1		1	Ass'y. - Handguard
	530025993		Kit #69137
	530027281		Kit#69220
2	530015169	2	Screw - 10 - 24 Hex Hd.
3	530015217	2	Locknut - 10 - 24
4	530015284	1	Bar Clamp Guide Stud
5	530025959	1	Bracket - Brake Band
6	530015306	2	Screw - 10 - 24 x 7/16 Taptite Hex Hd.
7	530025914	1	Shield - Heat
8	530015217	2	Nut - Heat Shield
9	530015406	2	Screw - Heat Shield 10 - 24 x 1/2 Pan Hd.
10	530023735	1	Bushing Guide
A	530026341	1	Decal - Instruction
	026952	1	Decal - Bar Clamp

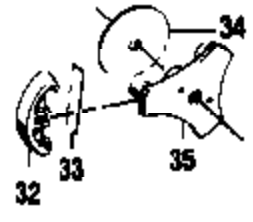
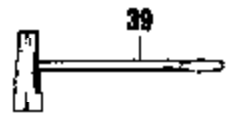
8500 Gas Saw - Page 6 of 19
CHAIN BRAKE ASSEMBLY



SEE PAGE 8 FOR
GUIDE BAR, CHAIN
AND BOW GUIDE
PART NUMBERS.



40
REPAIR KIT
S.N.R.**
GUIDE BAR



Ref #	Part Number	Qty	Description
1	530023663	1	Bumper - Bar Clamp
2	530024322	2	Bumper - Center Isolator Mount
3	530023673	1	Worm Gear
4	530019084	1	Gasket - Oil Pump Included in Engine - Gasket Kit 69180
5	530023695	1	Spring - Oil Pump Plunger
6	530023672	1	Plunger - Oil Pump
7	530023669	1	Plug - Oil Pump Body
8	530010173	1	Oil Pump Assembly (Incl. #5, 6, 7, 13, 14, 15, 17, 18 & 26)
9	530025858	1	Plate - Bar (Inner)
10		1	Bar - See Page 5
12	530025857	1	Plate - Bar (Outer)
13	530015211	1	Pin - Adj. Screw Stop
14	530023659	1	Screw - Oil Pump Adjusting
15	530019079	1	O-Ring - Adj. Screw Included in Engine - Gasket Kit 69180
17	530021021	1	Line - Oil Pick-up (3-1/4" Long; Cut from No. 8132 Tubing)
18	530019076	1	Seal - Oil Pump Included in Engine - Gasket Kit 69180
19	530015168	2	Screw - 10 - 24 x 5/8
20	530015574	1	Washer - Sprocket Shroud - See Service Ref. 1
21	530015592	1	Moss Thrust Washer - Sprocket Shroud (Optional)
22	530011917	1	Bar Clamp
23	530015537	2	Nut - Bar Mounting (.375) (Includes Washer)
24	530001636	2	Screw - Spur - 1/4 - 20 x 5/8 - Socket Head
25	530025954	1	Spur - Heavy Duty
26	530002589	1	Weight & Filter - Oil Pick-up
27	530023456	1	Spring - Oil Line Protector
28		1	Drum & Sprocket - (Optional) - See Service Ref. 1
	952048075		
	530048075		7 tooth 3/8" Pitch
	530048076		7 tooth .404 Pitch
29	530032085	1	Inner Race - Clutch Drum
30	530032084	1	Bearing - Clutch
31	530015575	1	Washer - Thrust (Black) - See Service Ref. 1
32	530023469	3	Shoe - Clutch
33	530023675	3	Spring - Clutch Shoe (Green)
34	530015577	1	Washer - Clutch Shoe
35	530022281	1	Drive Plate - Clutch
36		1	Rim Sprocket - See Service Ref. 1
	530004746		Rep By 952004746
	952004746	1	3/8" Pitch - 7 tooth (Optional)
	530004747		Rep By 952004747
	952004747	1	.404 Pitch - 7 tooth (Optional)
37	530048077	1	Clutch Drum - Splined (for Rim Sprocket) - See Service Ref. 1
39	530031107	1	Scrench
40		1	Repair Kit - Symmetrical S.N.R.** Guide Bars
	530055064		.050 gauge
			.063 gauge
	530055059		Control Tip - S.N.R.** Guide Bars - .050 gauge
	530055061		Control Tip - S.N.R.** Guide Bars - .063 gauge
41	530022112	1	Spur (Optional)
42	530001642	2	Lockwasher - Spur
A		1	Decal - Bar Clamp -
	530026736		6900 Not Shown.
	530026739		7700 G.SAW
	530026742		8500

8500 Gas Saw Page 8 of 19

CLUTCH & OIL PUMP

Ref #	Part Number	Qty	Description
	530066548	1	Operators Manual
	530066051	1	Bow Guide Manual
		1	Carton Not Shown.

8500 Gas Saw Page 9 of 19
CLUTCH & OIL PUMP

A. GUIDE BAR AND CHAINS

1. For use with 3/8" Sprocket:

GUIDE BAR	GUIDE BAR NO.	REDUCED KICKBACK CHAIN		LOW-KICKBACK CHAIN	
		CHAIN NO.	DESCRIPTION & DRIVE LINKS	CHAIN NO.	DESCRIPTION & DRIVE LINKS
16" HT (Symmetrical)	44239	N51278	P720-61	51284	P72S-60
20" HT (Symmetrical)	44241	N51279	P720-72	51286	P72S-70
24" HT (Symmetrical)	44242	N51283	P720-81	***	—
16" S.N.R. ** (Symmetrical)	44259	N51281	P720-60	51284	P72S-60
20" S.N.R. ** (Symmetrical)	44281	N51282	P720-70	51286	P72S-70
24" S.N.R. ** (Silkscreen - Symmetrical)	44282	N51283	P720-81	***	—
27" S.N.R. ** (Silkscreen - Symmetrical)	44283	N61285	P720-90	***	—
30" S.N.R. ** (Silkscreen - Symmetrical)	44284	N61287	P720-97	***	—
16" Control Tip® - S.N.R.**	44215	N51281	P720-60	51284	P72S-60
20" Control Tip® - S.N.R.**	✓44217	N51282	P720-70	51286	P72S-70
24" Control Tip® - S.N.R.**	✓44218	N51283	P720-81	***	—

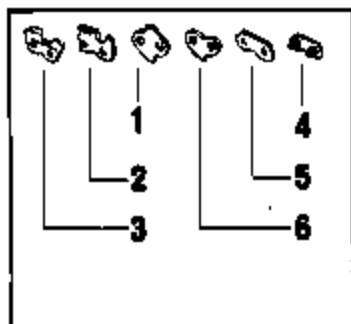
NOTES:

All Chains Listed in "1." are 3/8 Pitch and .050 Gauge.

For Repair of Symmetrical S.N.R. Guide Bars, Use Part No. 55064 Assembly Kit.

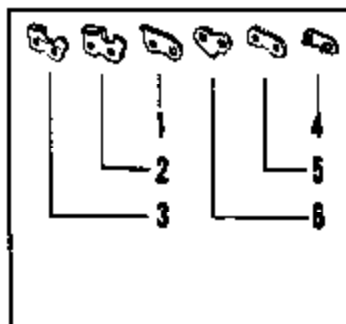
For Repair of Control Tip® S.N.R. Guide Bars, Use Part No. 55069 Assembly Kit.

REPAIR PARTS FOR P720 CHAIN: .050 Gauge



KEY PART NO.	PART NO.	DESCRIPTION
1	52047	Guard Drive Link
2	52048	L.H. Cutter
3	52049	R.H. Cutter
4	52014	Pre-Set Tie Strap
5	5295	Tie-Strap
6	5297	Drive Link
—	5299	Chain Repair Kit

REPAIR PARTS FOR P72S CHAIN: .050 Gauge



KEY PART NO.	PART NO.	DESCRIPTION
1	52083	Guard Drive Link
2	52082	L.H. Cutter
3	52081	R.H. Cutter
4	52014	Pre-Set Tie Strap
5	5295	Tie-Strap
6	5297	Drive Link
—	52078	Chain Repair Kit

2. For use with .404 Sprocket:

BAR	BAR NO.	CHAIN NO.	DESCRIPTION & DRIVE LINKS
32" S.N.R. ** (Symmetrical)	✓44254	N51295	PAJ690-94
36" S.N.R. ** (Symmetrical)	44266	N61299	PAJ690-104

NOTES:

All Chains Listed in "2." are .404 Pitch and .063 Gauge.

For Repair of Symmetrical S.N.R. Guide Bars, Use Part No. 55065 Assembly Kit.

B. BOW GUIDES AND CHAINS

BOW GUIDE	BOW GUIDE NO.	CHAIN NO.	DESCRIPTION & DRIVE LINKS
13" .050 / 3/8 pitch	44235	N61305	P720-80
14" .050 / 3/8 pitch	44236	N51289	P720-87
14" .063 / .404 pitch ***	44237	N 51292	P27-79

** S.N.R. = Replaceable Sprocket Nose

*** P72S Chain is available on reel end and can be cut to length by your dealer.

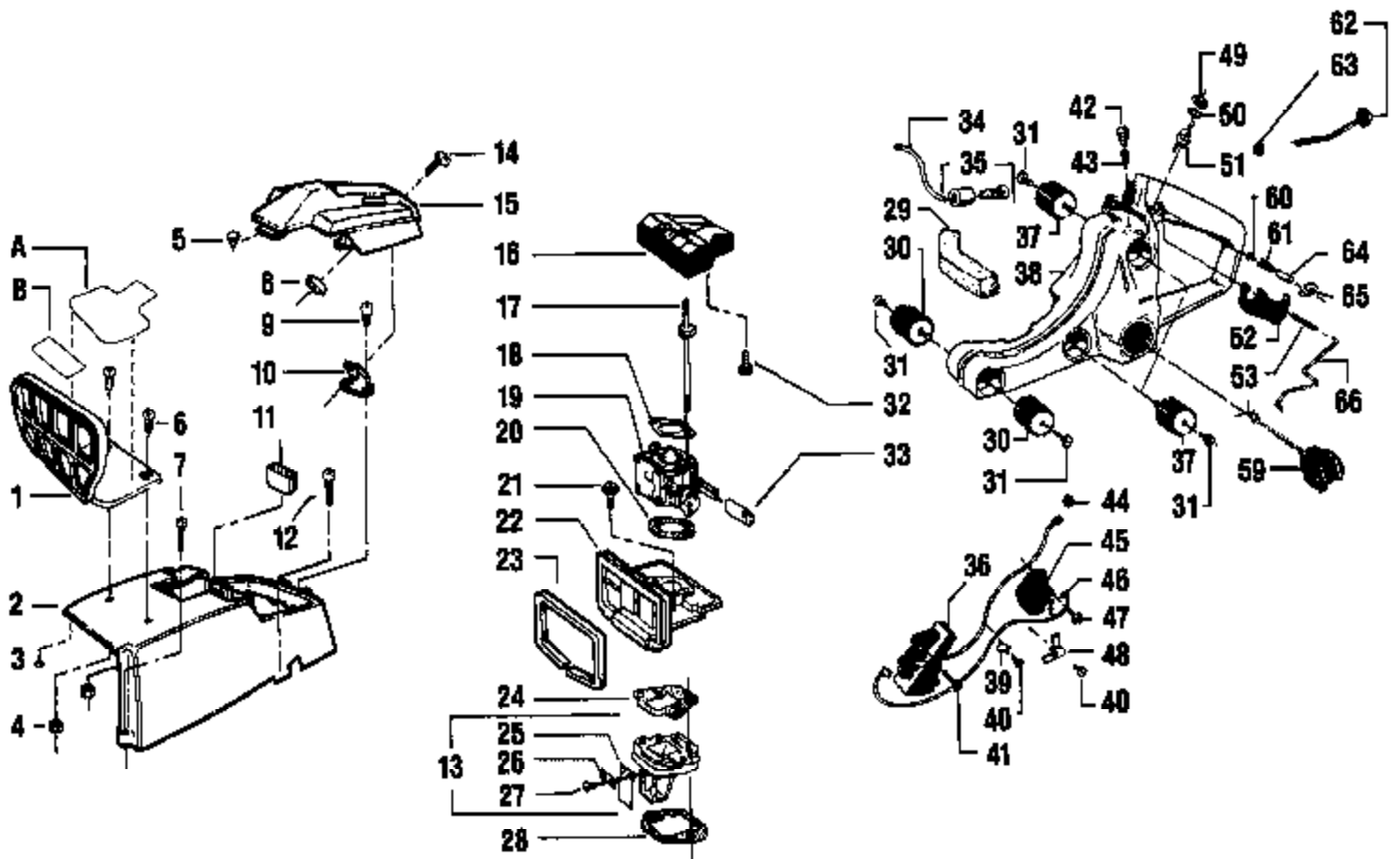
**** Requires .404 Drum & Sprocket Assembly #48076

✓ = Part Change

***** = Service Reference

N = New Part No.

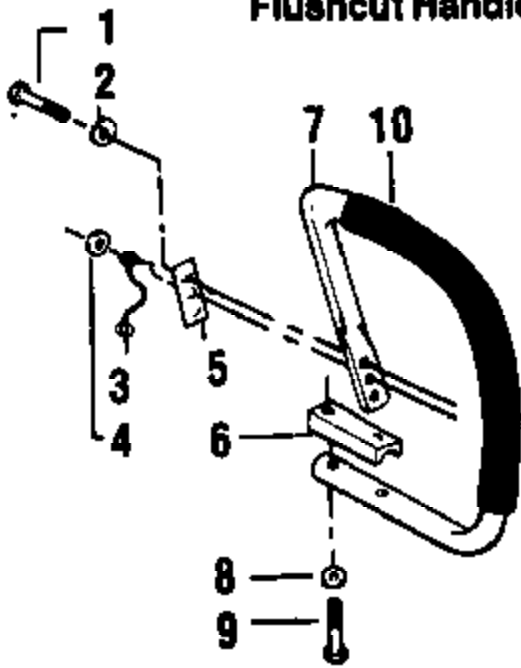
Ref #	Part Number	Qty	Description
	44239		Guide Bar 16" HT 3/8 - .050
	44241		Guide Bar 20" HT 3/8 - .050
	44242		Guide Bar 24" HT 3/8 - .050
	530044259		Guide Bar 16" S.N.R. 3/8 - .050
	44261		Guide Bar 20" S.N.R. 3/8 - .050
	952044262		Guide Bar 24" S.N.R. 3/8 - .050
	44263		Guide Bar 27" S.N.R. 3/8 - .050
	44264		Guide Bar 30" S.N.R. 3/8 - .050
	44215		Guide Bar 16" S.N.R. 3/8 - .050
	44217		Guide Bar 20" S.N.R. 3/8 - .050
	44218		Guide Bar 24" S.N.R. 3/8 - .050
	952051278		Chains 16" (P720-61)
	51279	8500 Gas Saw Page 1 of 19	Chains 20" (P720-72)
	952051283	GUIDEBAR, CHAINS & BOW	Chains 24" (P720-81)
	952051281		Chains 16" (P720-60)
	952051282		Chains 20" (P720-70)
	952051283		Chains 24" (P720-81)
	51285		Chains 27" (P720-90)
	952051287		Chains 30" (P720-97)
	952051281		Chains 16" (P720-60)
	952051282		Chains 20" (P720-70)
	952051283		Chains 24" (P720-81)
	952051264		Chains 16" (P72S-60)
	952051266		Chains 20" (P72S-70)
	952051264		Chains 16" (P72S-60)
	952051266		Chains 20" (P72S-70)
	952051264		Chains 16" (P72S-60)
	952051266		Chains 20" (P72S-70)



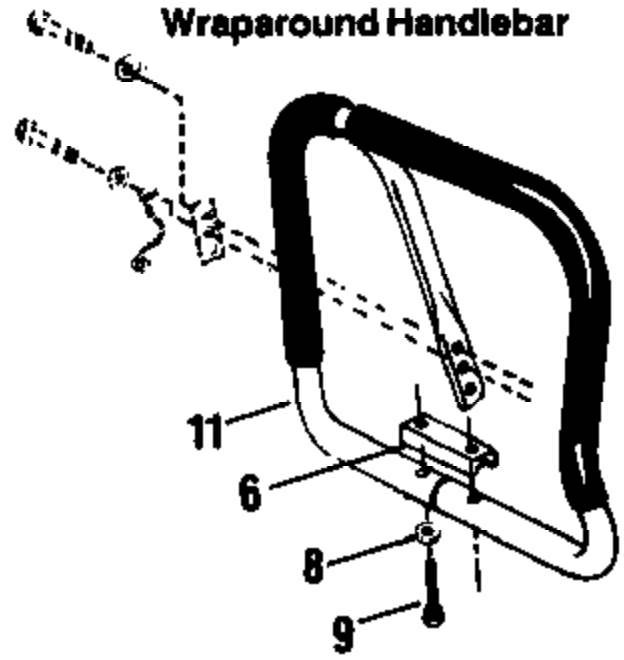
Ref #	Part Number	Qty	Description
1	530025948	1	Handguard
2	530026433	1	Cover - Cylinder
3	530015589	1	Drive Pin
4	530001543	2	Nut - 10 - 24
5	530026726	1	Bumper - Carb. - Cover
6	530015406	2	Screw - 10 - 24 x 1/2 Pan Hd.
7	530015625	1	Screw - Cylinder Cover #10 - 24 x 3/4
8	530026528	1	Retainer - Carb. Cover - Screw
9	530015496	2	Screw - Bracket Carb. Cover 10 - 16 x 1/2 HiLo
10	530026516	1	Bracket - Carb. Cover Retainer
11	530026522	1	Vent - Winter
12	530015641	2	Screw - Cyl. Cover #12 - 24 x 7/8
13	530010752	1	Reed Valve Assembly (Incl. #25, 26 & 27)
14	530015584	1	Screw - Carb. Cover 10 - 24 x 9/16 Fil. Hd.
15	530026434	1	Cover - Carburetor
16	530026561	1	Air Filter Assembly
17	530015585	2	Stud - Carburetor
18	530023664	1	Plate - Air Filter
19		1	Carburetor Assembly - 6900
	530034096		7700 G.SAW & 8500
20	530019082	1	Gasket - Carb. to Adaptor Included in Engine - Gasket Kit 69180
21	530015545	2	Screw - Carb. Adapt. Reed Block - 10 - 24 x 1-1/4
22	530026435	1	Adaptor - Carburetor
23	530019133	1	Seal - Carb. to Adaptor
24	530019134	1	Gasket - Carb. Adaptor to Reed Valve Ass'y Included in Engine - Gasket Kit 69180
25	530023643	4	Reed
26	530002580	4	Stop - Reed
27	530001713	8	Screw - Reed Mounting #4 - 40 x 1/8 Pan Head
28	530019086	1	Gasket - Reed Valve Assembly - C'Case Included in Engine - Gasket Kit 69180
29	530023692	1	Seal - Sawdust Included in Engine - Gasket Kit 69180
30	530024224	2	Mount Forward Isolator (Hourglass Shape)
31	530015036	6	Screw - Crankcase to Mounts - 10 - 24 x 1/2
32	530015496	1	Screw - Air Filter 10 - 16 x 1/2 - HiLo
33	530024003	1	Grommet - Carb. Adj. Screws
34	530021022	1	Line - Fuel Pick-up (Bulk No. 8136)
35		1	Fuel - Pick-up Assembly 6900 & 7700 G.SAW
	530034104		8500
36	530039067	1	Module - Ignition (Incl. #44 & 46)
37	530024225	4	Mount - Center and Rear Isolator (Cylindrical Shape)
38	530010749	1	Fuel Tank & Handle Ass'y. (Incl. #29, 60, 61, 64 & 65)
39	530023661	1	Clamp - Lead Wire Ignition
40	530001726	2	Screw - 8 - 32 x 5/16 - Tapping
41	530015198	2	Screw - Module Ignition - 10 - 24 x 7/8
42	530010528	1	Vent - Assembly - Fuel Tank (Incl. #42)
43	530026119	1	Check Valve - Fuel Tank Vent
44	530039069	1	Grommet - Lead Wire Included in Engine - Gasket Kit 69180
45	530039119	1	Transformer Ass'y. (Incl. #59 p. 1)
46	530039064	1	Lead Wire - Module/Transformer
47	530015038	2	Screw - 10 - 24 x 3/4 Hex Washer Hd. - Transformer

Ref #	Part Number	Qty	Description
48	530025856	1	Clamp - Lead Wire
49	530023575	1	Nut - Switch Mounting
50	530015214	1	Lockwasher - Switch Mtg.
51	530023732	1	Switch - Ignition
52	530023658	1	Trigger - Throttle
53	530015008	1	Pin - Trigger
59	530010331	1	Fuel Cap Ass'y. (Incl. O-Ring)
60	530024772	1	Spring - Throttle Lock
61	530024771	1	Pin - Throttle Lock
62	530024762	1	Choke Knob
63	530023665	1	Grommet - Choke Rod Included in Engine - Gasket Kit
			69180
			8500 Gas Saw Page 14 of 19
64	530024773	1	Sleeve - Throttle Lock
65	530001672	1	"E" Ring - Throttle Lock
66	530026351	1	Wire - Throttle
A	530026921	1	Decal - Starting Instructions
B	530026850	1	Decal - Kickback
	530026732	1	Decal - Professional User - (Not Shown)

Flushcut Handlebar



Wraparound Handlebar

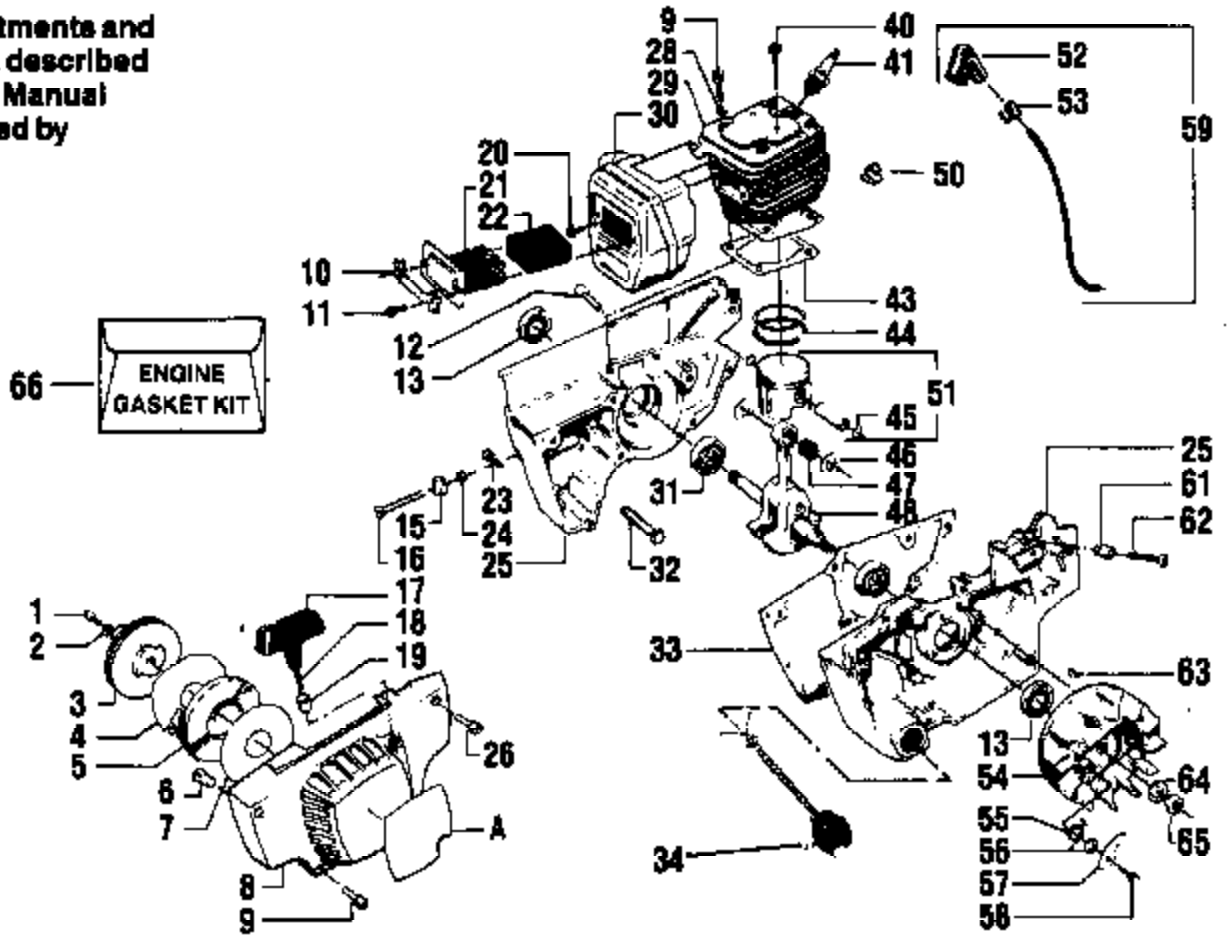


Ref #	Part Number	Qty	Description
1	530015459	3	Screw-1/4-20x3/4
2	530001677	3	Lockwasher
3	530023682	1	Lead Ground
4	530015209	1	Washer-Flat
5	530025241	1	Handlebar Brace-Rear
6	530012109	1	Adaptor-Handlebar
7	530022266	1	Handlebar-Flushcut
8	530015159	2	Washer-Conical
9	530015402	2	Screw-1/4-20x1-3/8
10	530069171	1	Kit-Handlebar Grip
11	530069164	1	Kit - Wraparound Handlebar - Optional (Incl. #25, 42 & 43 from p.3)

8500 Gas Saw Page 16 of 19
HANDLEBAR ASSEMBLIES

⚠ WARNING

All repairs, adjustments and maintenance not described in the Operator's Manual must be performed by qualified service personnel.



Ref #	Part Number	Qty	Description
1	530015092	1	Screw - 1/4 - 20 x 1/2 - Socket Hd.
2	530015209	1	Washer - Starter Pulley
3	530011255	1	Pulley Starter
4	530042041	1	Disc. - Starter - Top
5	530042049	1	Spring - Starter Rewind
6	530015323	1	Pin - Starter Anchor
7	530042039	1	Disc. - Starter - Bottom
8	530011815	1	Fan Housing Assembly (Incl. #6 & 19)
9	530001711	7	Screw - 3 - 1/4 - 20 Soc. Hd. - Fan Hsg. & Cylinder
10	530024839	1	Retainer - Diffuser Mounting Screw
11	530015433	2	Screw - 10 - 32 x 1/2 - Slotted Hex Hd.
12	530015203	7	Screw - Crankcase #10 - 24 x 3/4 - Soc. Hd.
13	530019075	2	Seal - Crankshaft
15	530023064	1	Pin - Bar Adjusting
16	530015253	1	Screw - Bar Adj. - #10 - 24 x 2-3/16
17	530042056	1	Handle - Starter Rope
18	530069234	1	Rope Kit
19	530002820	1	Bushing - Rope Grommet
20	530015298	3	Screw - Muffler Mtg. - #12 - 24 x 5/8
21	530022131	1	Diffuser - Muffler
22	530023674	1	Screen - Spark Arrestor
23	530015258	3	Screw - #6 - 40 x 1/2 - Soc.
24	530015064	1	Nut - Bar Adj. - #10 - 24 - Self Locking
25	530010748	1	Crankcase Assembly (Incl. #13, 15, 16, 24, 31, 32 & 33)
26	530015196	1	Screw - Fan Hsg. Mtg. - 1/4 - 20 x 1-1/2 Soc. Hd.
28	530001677	4	Lockwasher - Cylinder
29		1	Cylinder
	530012090		6900
	530012091		7700 G.SAW
	530012092		8500
30	530022274	1	Ass'y. Muffler
31	530032034	2	Bearing - Crankshaft
32	530069136	1	Kit - Bar Stud Replacement (3/8")
33	530019085	1	Gasket - Crankcase
34	530010175	1	Oil Cap Ass'y. (Incl. O-Ring)
40	530015306	2	Screw - Muffler Mtg. #10 - 24 x 3/8
41	952030084	1	Spark Plug (CJ-6)
43	530019081	1	Gasket - Cylinder
44		2	Piston Ring
	530023655		6900
	530024769		7700 G.SAW
	530023645		8500
45	530015207	2	Retainer - Piston Ring
46	530015208	2	Washer - Thrust (Rod Top)
47	530032031	1	Bearing - Top Rod
48	530026250	1	Crankshaft & Rod Ass'y.
50	530015195	1	Clip - High Tension Lead
51		1	Kit - Piston Ass'y. - (Incl. #45 & pin)
	530022125		6900
	530010529		7700 G.SAW
	530010531		8500
52	530039097	1	Boot - Spark Plug
53	530039071	1	Connector - Spark Plug
54	530039066	1	Flywheel
55	530042062	2	Spring - Starter Dog
56	530001718	2	Washer - Starter Dog

8500 Gas Saw Page 18 of 19
STARTER & CRANKCASE

Ref #	Part Number	Qty	Description
57	530042064	2	Dog - Starter
58	530004261	2	Stud - Starter Dog
59	530039120	1	High Tension Lead Ass'y. - Ignition (Incl. #52 & 53)
61	530026523	1	Sleeve - Idle Screw Locking
62	530015586	1	Screw Adj. - Idle Speed
63	530002595	1	Key - Flywheel
64	530001626	1	Washer - Flywheel Mtg. - 3/8
65	530001722	1	Locknut - Flywheel Mtg. - 3/8 - 24
66	530069180	1	Engine - Gasket Kit (inc. 33,43)
A		1	Decal Fan Housing
	530026737		6900
	530026740		7700 G.SAW
	530026743		8500 Gas Saw

8500 Gas Saw Page 19 of 19
STARTER & CRANKCASE