

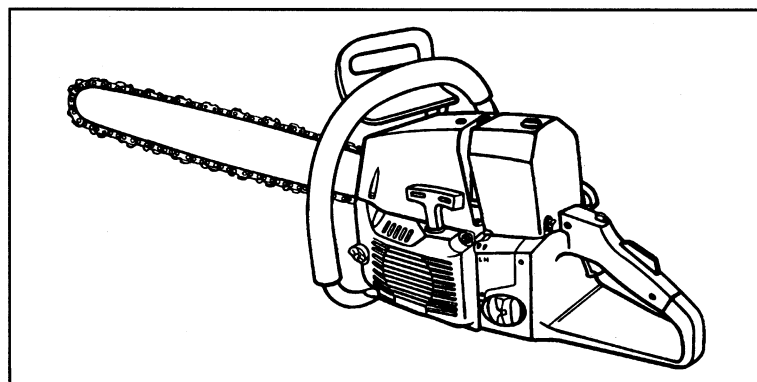
MCCULLOCH®

PARTNER

ILLUSTRATED PARTS LIST

PRO MAC 72 PARTNER P720

SERIAL NUMBER PREFIX 01



March 2000

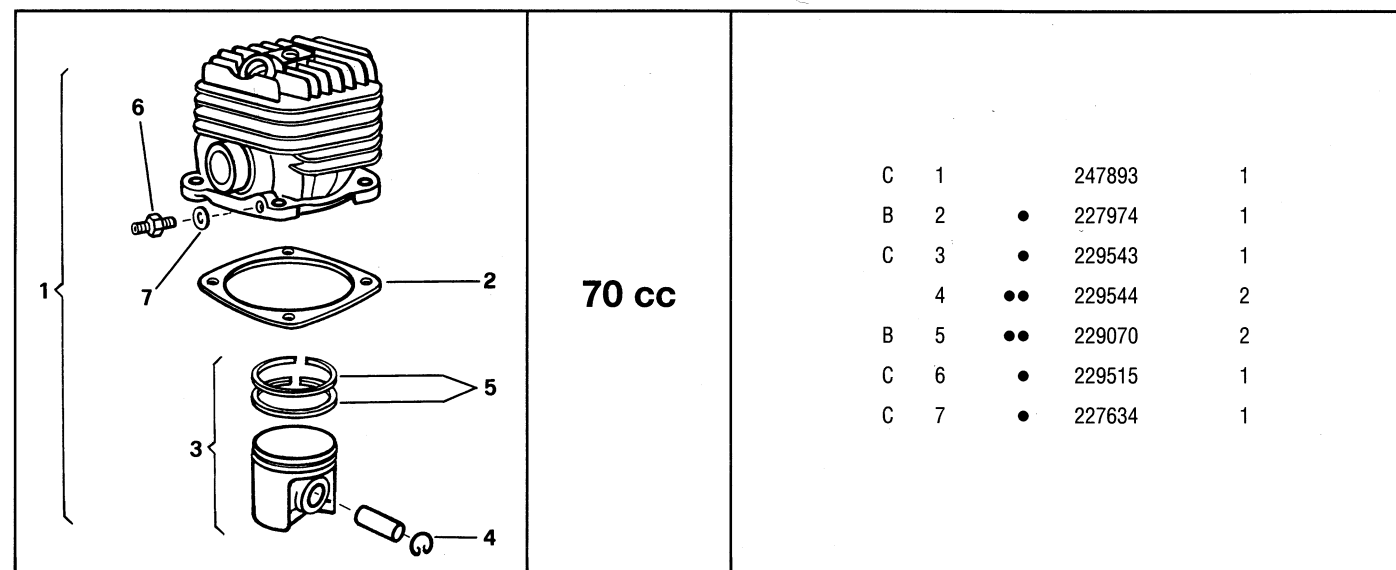


FIGURE 2

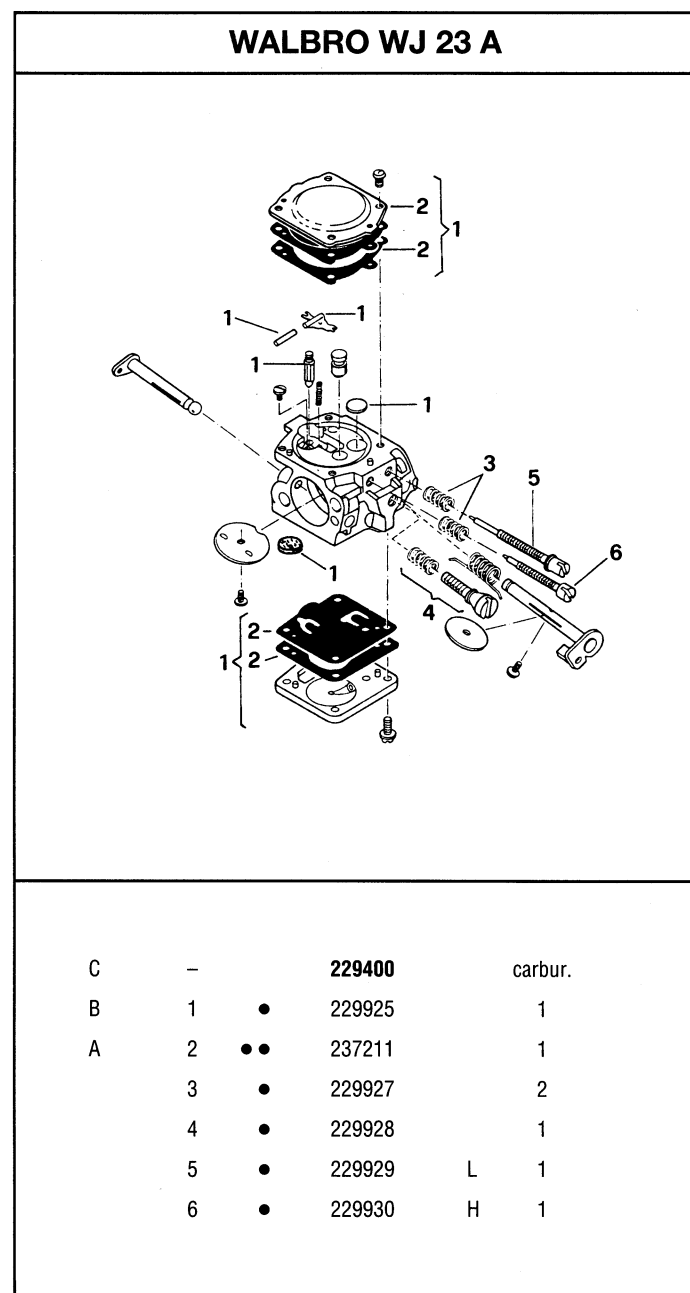


FIGURE 3

A = high moving - alta rotazione - haute demande - große Nachfrage
 B = medium moving - media rotazione - moyenne demande - mittelmäßige Nachfrage
 C = slow moving - bassa rotazione - basse demande - wenige Nachfrage

C	1	240056	1	82	218865	1
	2	● 227941	1	A 83	92878	1
	3	● 241196	1	84	94273	1
	4	● 227943	1	85	235214 M6x20	4
	5	● 227349	1	C 86	FIGURE 2	
	6	● 227350	1	87	227057	2
	7	● 227351	1	C 88	229502	1
	8	● 227352	1	C 89	241257	1
	9	● 227353	1	90	229501	1
	10	● 240929	1	91	227275	1
	11	● 240690	1	92	235216	2
	12	● 227521	1	93	229563 M5x10	2
	13	● 227523	1	C 94	227979	1
	14	● 227524	1	C 95	227980	1
	15	● 235367	1	96	240051 yellow/giallo/gaune/gelb	1
	16	● 235811	1		241924 gold/oro/or/gold	1
	17	● 229791	1	97	229712 M5x16	3
	18	● 235612	1	98	235248	3
C	19	● 227942	1	99	240052 yellow/giallo/gaune/gelb	1
	20	235207 M5x14	2		241941 gold/oro/or/gold	1
	21	227626	2	100	● 241089	1
C	22	241169	2	101	● 229525	2
	23	229208	2	B 102	227561	1
	24	227992	1	103	227458 M5x21	2
C	25	240059	1	104	247877	1
C	26	● 227441	1	105	227971	2
C	27	● 227442	1	106	227563 M5x16	2
	28	● 227443	1	107	235205	2
	29	● 227619 M4x16	2	108	241090	1
	30	● 227968	1	C 109	237575	1
B	31	● 227406	1	110	229380	1
A	32	● 241205	1	C 111	229377	1
C	33	● 236321	1	112	247894	1
	34	229524	2	113	● 229449	1
	35	227259	1	C 114	● 229452	1
C	36	227582	1	115	● 235221	2
	37	229208	1	116	● 236728	1
C	38	229981	1	117	241146 M6x20	1
	39	229524	4	118	241145 M6x45	1
	40	235802 M5x14	2	119	228956 M4x10	1
	41	235248	2	120	229560	1
	42	229561 M5x16	2	121	235530 M5x35	6
	43	236933 M6x18	1	122	229559	2
	44	236936	1	C 123	227975	1
	45	241147 M5x16	1	124	240060	1
C	46	241148	1	C 125	● 229453	1
C	47	241207	2	C 126	227631	1
C	48	241208	1	C 127	227461	1
B	49	227508	1	C 128	227464	1
C	50	● 227420	1	C 129	● 227527	1
	51	227969	1	130	247895	1
	52	227983	2	131	● 229450	1
C	53	227994	1	C 132	● 229451	1
C	54	240058	1	C 133	● 227370	2
C	55	● 240639	1	134	241146 M6x20	1
A	56	● 229608	1	135	235239 M5x20	2
C	57	● 240638	1	136	227626	2
	58	● 240884	1	A 137	227997	1
B	59	● 241083	2	A 138	227366	1
C	60	● 241157	1	139	241146 M6x20	1
B	61	● 241156	1	140	227990	1
	62	229712 M5x16	4	C 141	227530	1
	63	235248	4	C 142	● 227385	1
	64	227958	1	C 143	227383	1
	65	227762	1	C 144	235432	1
	66	227976	1	145	229861 M4x14	2
C	67	241214	1	146	227630	2
C	68	240062	1	C 147	227387	1
C	69	● 227005	1	148	227970	1
	70	235806 M5x20	2	149	227627	5
	71	235248	2	150	227611 M4x12	5
B	72	227507	1	C 151	240054	1
C	73	● 227459	1	B 152	● 227547	1
	74	229399 M5x70	2	153	● 227389	1
	75	227965	1	154	● 227548	1
C	76	FIGURE 3	1	C 155	227329	1
	77	229397	1	C 156	240055	1
	78	229396	1	157	241247	1
C	79	229017	1	A 158	227762	2
	80	229395	1	159	227388	1
C	81	229718	1	160	235248	2

A = high moving - alta rotazione - haute demande - große Nachfrage
 B = medium moving - media rotazione - moyenne demande - mittelmäßige Nachfrage
 C = slow moving - bassa rotazione - basse demande - wenige Nachfrage

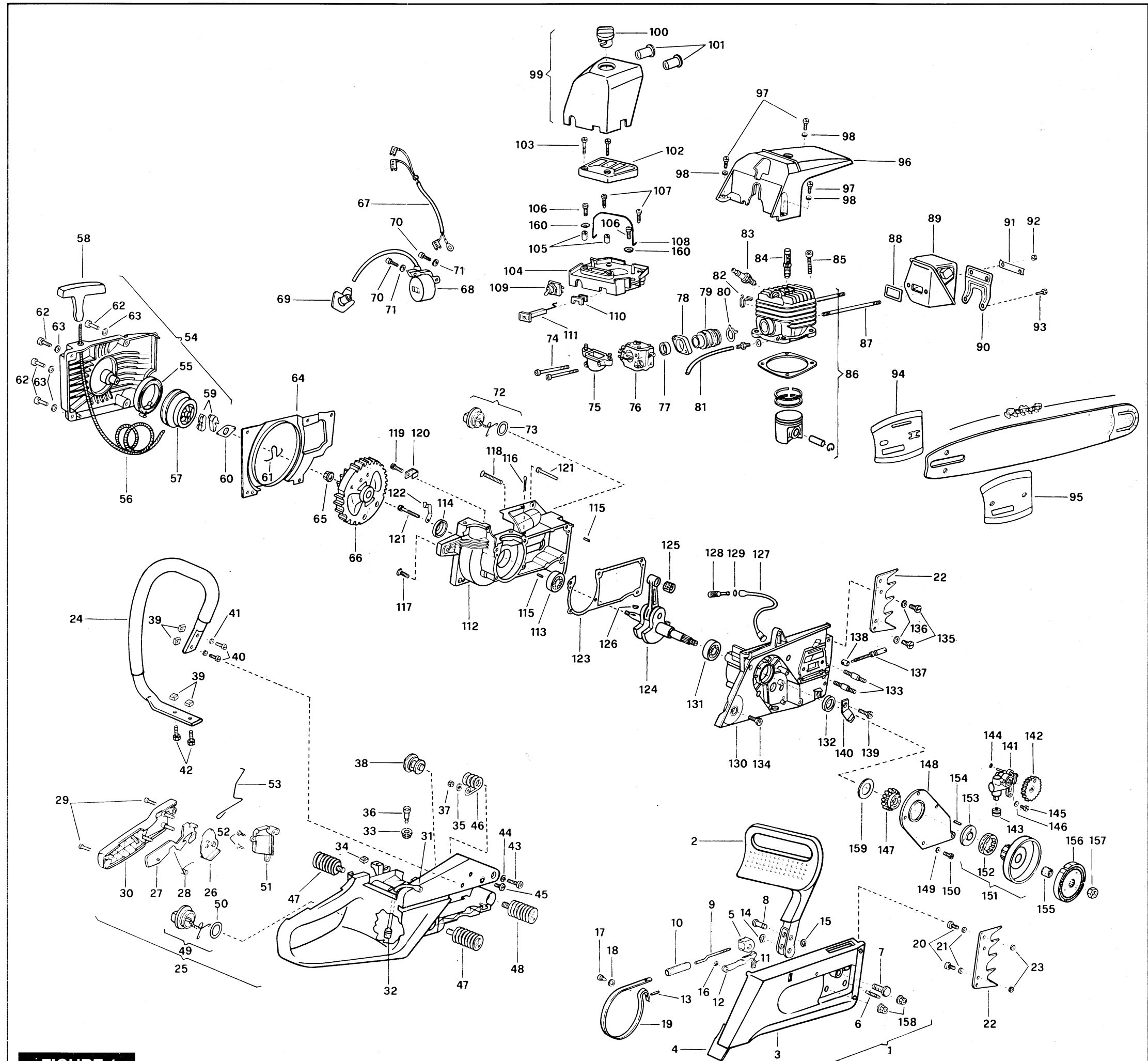


FIGURE 1