

| PNC | Type/Prefix/nd | Model | Brand |
|-------------------------------------|-----------------------|---------------|--------------|
| 24774700B 953900054 953900717 | 02 | PROMAC 72 20" | McCulloch |
| 24779900B 953900057 | 02 | PROMAC 72 24" | McCulloch |
| 24782100B 953900060 | 02 | PROMAC 72 28" | McCulloch |

Number of Pages 1 of 5

| | |
|--|-----------------------------|
| Factory: IIQ - Valmadrera | Product Group: OP 93 |
| Publication Number: MIPL2006_V270000005 | Petrol Portable |
| Publication Date: 04/07/06 | Sub Group 9433 |

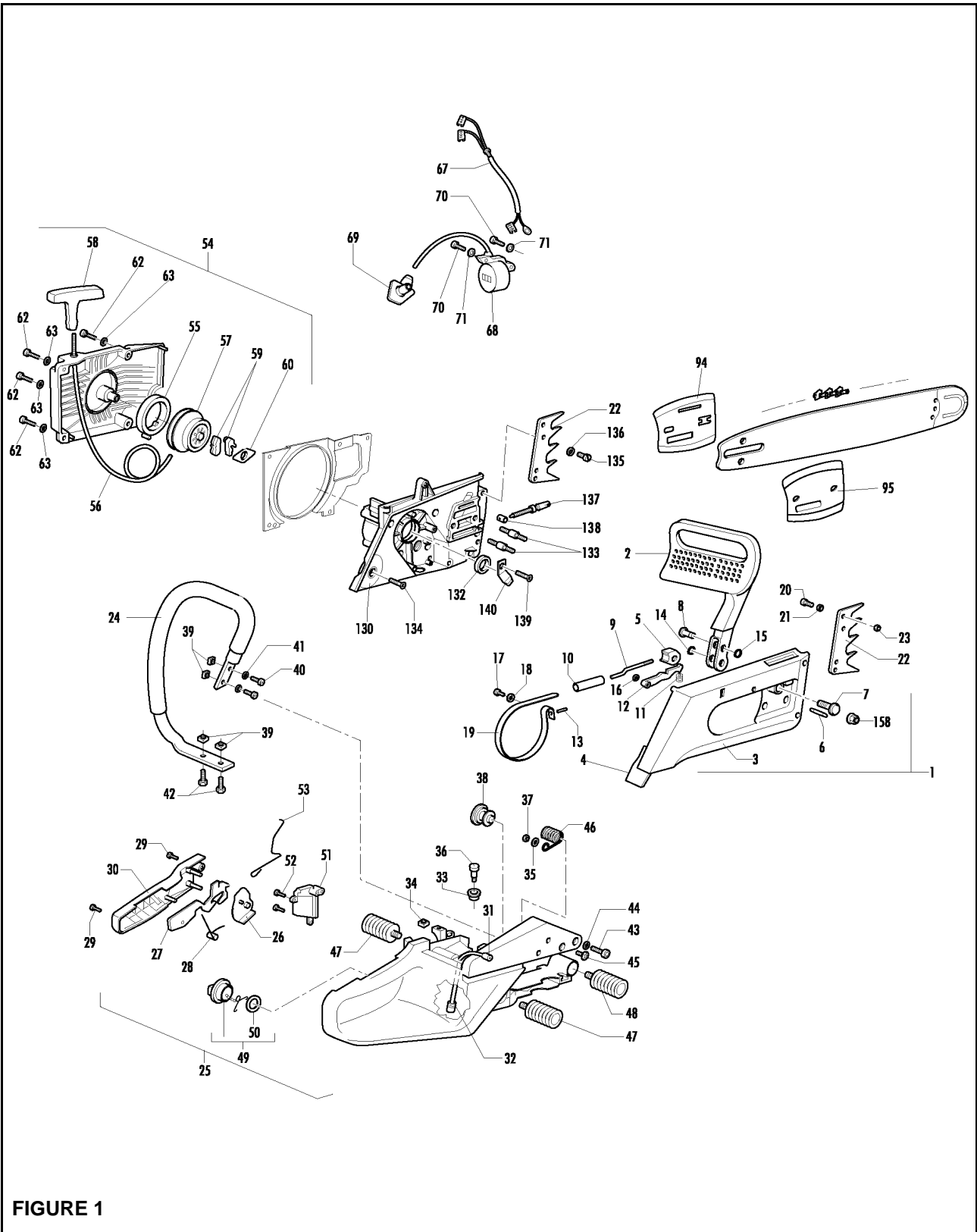


FIGURE 1

| Item | P/N McC | P/N ELX | Qty | DESCRIPTION | Item | P/N McC | P/N ELX | Qty | DESCRIPTION |
|-----------------|-------------|-----------|-----|-------------------|-------|----------|-----------|-----|-----------------------|
| FIGURE 1 | | | | | | | | | |
| C 1 | 240056 | 538240056 | 1 | CLUTCH COVER ASSY | C 54 | 240058 | 538240058 | 1 | STARTER ASSY |
| 2 | • 227941 | 538227941 | 1 | T 72 BRAKE LEVER | C 55 | • 240639 | 538240639 | 1 | STARTER SPRING |
| 3 | • 241196 | 538241196 | 1 | CLUTCH COVER | A 56 | • 229608 | 538229608 | 1 | STARTER CORD |
| 4 | • 227943 | 538227943 | 1 | GUARD | C 57 | • 240638 | 538240638 | 1 | STARTER PULLEY |
| 5 | • 227349 | 538227349 | 1 | BRAKE NUT | 58 | • 240884 | 538240884 | 1 | STARTER HANDLE |
| 6 | • 227350 | 538227350 | 1 | PIN | B 59 | • 241083 | 538241083 | 2 | STARTER PAWL |
| 7 | • 227351 | 538227351 | 1 | BRAKE LEVER PIN | C 60 | • 241157 | 538241157 | 1 | SHIELD |
| 8 | • 227352 | 538227352 | 1 | PIN | 62 | 229712 | 538229712 | 4 | M5X16 SCREW |
| 9 | • 227353 | 538227353 | 1 | ROD | 63 | 235248 | 538235248 | 4 | WASHER D.5 |
| 10 | • 240929 | 538240929 | 1 | RETAINING SPRING | C 67 | 242470 | 538242470 | 1 | WIRE ASSY |
| 11 | • 240690 | 538240690 | 1 | T 51 BRAKE SPRING | C 68 | 240062 | 538240062 | 1 | IGNITION MODULE |
| 12 | • 227521 | 538227521 | 1 | 2.9X19 SCREW | C 69 | • 227005 | 538227005 | 1 | CAP PLUG |
| 13 | • 227523 | 538227523 | 1 | PIN | 70 | 235806 | 538235806 | 2 | M5X20 SCREW |
| 14 | • 227524 | 538227524 | 1 | SEEGER | 71 | 235248 | 538235248 | 2 | WASHER D.5 |
| 15 | • 235367 | 538235367 | 1 | BENZING D.4 | C 94 | 227979 | 538227979 | 1 | PLATE BAR |
| 16 | • 235811 | 538235811 | 1 | BENZING D.3,2 | C 95 | 227980 | 538227980 | 1 | SPACER |
| 17 | • 229791 | 538229791 | 1 | 4,2X9,5mm SCREW | 130 | 247895 | 538247895 | 1 | CLUTCH CRANKCASE |
| 18 | • 235612 | 538235612 | 1 | ø 4X9X0,8 WASHER | C 132 | • 229451 | 538229451 | 1 | 17X28X4,5/5 RING |
| C 19 | • 227942 | 538227942 | 1 | STRAP | C 133 | • 227370 | 538227370 | 2 | STUD BOLT |
| 20 | 235207 | 538235207 | 2 | M5X14 SCREW | 134 | 241146 | 538241146 | 1 | M6X20 SCREW |
| 21 | 227626 | 538227626 | 2 | WASHER D.5 | 135 | 235239 | 538235239 | 2 | M5X20 SCREW |
| C 22 | 241169 | 538241169 | 2 | SPIKE | 136 | 227626 | 538227626 | 2 | WASHER D.5 |
| 23 | 229208 | 538229208 | 2 | M5 NUT | A 137 | 227997 | 538227997 | 1 | CHAIN TENSIONER SCREW |
| 24 | 227992 | 538227992 | 1 | HANDLE ASSY | A 138 | 227366 | 538227366 | 1 | CHAIN TENSIONER NUT |
| C 25 | 242330 | 538242330 | 1 | REAR HANDLE ASSY | 139 | 241146 | 538241146 | 1 | M6X20 SCREW |
| C 26 | • 227441 | 538227441 | 1 | GAS TRIGGER | 140 | 227990 | 538227990 | 1 | CHAIN CATCHER |
| C 27 | • 227442 | 538227442 | 1 | SAFETY TRIGGER | A 158 | 227762 | 538227762 | 2 | M8 NUT |
| 28 | • 227443 | 538227442 | 1 | TRIGGER SPRING | | | | | |
| 29 | • 240862 | 538240862 | 2 | SCREW | | | | | |
| 30 | • 242332 | 538242332 | 1 | TRIGGER COVER | | | | | |
| B 31 | • 242472 | 538242472 | 1 | FUEL TUBE | | | | | |
| A 32 | • 503443201 | 503443201 | 1 | PICK UP FUEL | | | | | |
| C 33 | • 235675 | 538235675 | 1 | TANK GROMMET | | | | | |
| 34 | 229524 | 538229524 | 2 | BOLT M5 10X10X5 | | | | | |
| 35 | 227259 | 538227259 | 1 | WASHER D.5 | | | | | |
| C 36 | • 227582 | 538227582 | 1 | VENT FILTER | | | | | |
| 37 | 229208 | 538229208 | 1 | M5 NUT | | | | | |
| C 38 | • 229981 | 538229981 | 1 | AV ASSY | | | | | |
| 39 | 229524 | 538229524 | 4 | M5 10X10X5 NUT | | | | | |
| 40 | 235802 | 538235802 | 2 | M5 X 14 SCREW | | | | | |
| 41 | 235248 | 538235248 | 2 | ø.5X10X1 WASHER | | | | | |
| 42 | 229561 | 538229561 | 2 | M5 X 16 SCREW | | | | | |
| 43 | 236933 | 538236933 | 1 | M6X18 SCREW | | | | | |
| 44 | 236936 | 538236936 | 1 | WASHER D.6 | | | | | |
| 45 | 241147 | 538241147 | 1 | M5 X 16 SCREW | | | | | |
| C 46 | 241148 | 538241148 | 1 | SPRING | | | | | |
| C 47 | 241207 | 538241207 | 2 | SPRING | | | | | |
| C 48 | 241208 | 538241208 | 1 | SPRING | | | | | |
| B 49 | 227508 | 538227508 | 1 | FUEL CAP ASSY | | | | | |
| C 50 | • 227420 | 538227420 | 1 | FUEL CAP SEAL | | | | | |
| 51 | 242334 | 538242334 | 1 | SCREWDRIVER GUIDE | | | | | |
| 52 | 240862 | 538240862 | 2 | SCREW | | | | | |
| C 53 | 242469 | 538242469 | 1 | GAS LEVER | | | | | |

A=ALTA ROTAZIONE
B=MEDIA ROTAZIONE
C=ALTA ROTAZIONE

A=HIGH MOVING
B=MEDIUM MOVING
C=SLOW MOVING

A=HAUTE DEMANDE
B=MOYENNE DEMANDE
C=BASSE DEMANDE

A=GROBE NACHFRAGE
B=MITTELMAESSIGE
C=WENIGE NACHFRAGE

NUOVI CODICI

NEW P. NUMBERS

NOUVELLES REFERENCES

NEU CODEX

WALBRO WJ 23 A

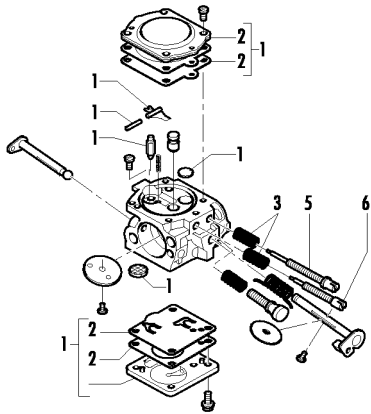


FIGURE 3

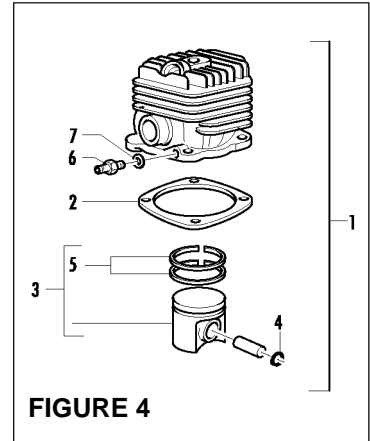


FIGURE 4

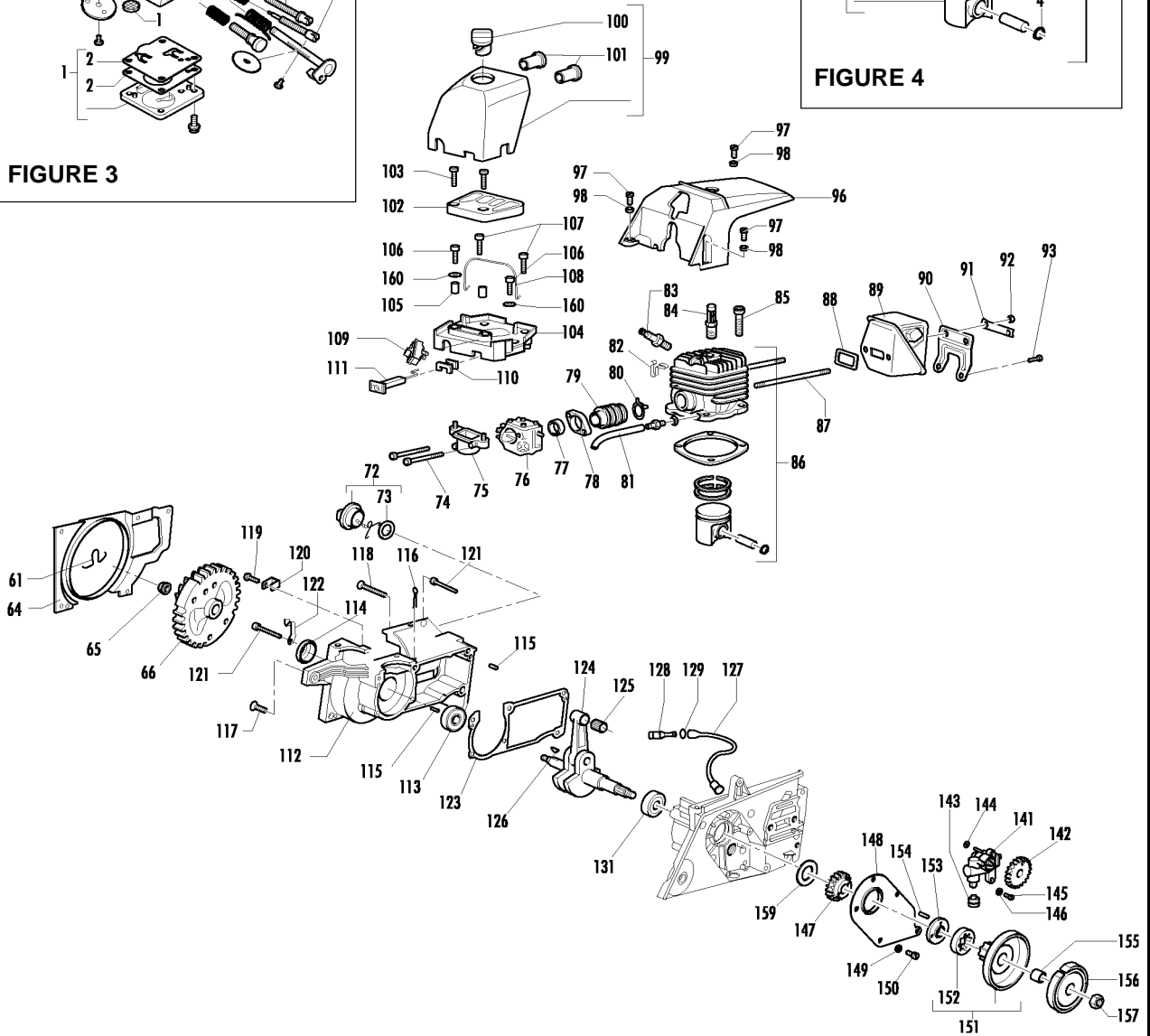


FIGURE 2

| Item | P/N McC | P/N ELX | Qty | DESCRIPTION |
|-----------------|----------|-----------|-----|--------------------------|
| FIGURE 2 | | | | |
| B 61 | • 241156 | 538241156 | 1 | PRESSURE SPRING |
| 64 | 227958 | 538227958 | 1 | AIR CONVEYOR |
| 65 | 227762 | 538227762 | 1 | M 8 NUT |
| 66 | 227976 | 538227976 | 1 | FLYWHEEL |
| B 72 | 227507 | 538227507 | 1 | OIL CAP ASSY |
| C 73 | • 227459 | 538227459 | 1 | OIL CAP SEAL |
| 74 | 229399 | 538229399 | 2 | M 5X70 SCREW |
| 75 | 227965 | 538227965 | 1 | MANIFOLD |
| C 76 | FIGURE 4 | | | |
| 77 | 229397 | 538229397 | 1 | FLANGE |
| 78 | 229396 | 538229396 | 1 | SUCTION FLANGE |
| C 79 | 229017 | 538229017 | 1 | SUCTION TUBE |
| 80 | 229395 | 538229395 | 1 | CLAMP |
| C 81 | 229718 | 538229718 | 1 | BRANCH PIPE |
| 82 | 218865 | 538218865 | 1 | CLIP |
| A 83 | 92878 | 538092878 | 1 | RDJ6J SPARK PLUG |
| 84 | 94273 | 538094273 | 1 | DECOMPRESSOR |
| 85 | 235214 | 538235214 | 4 | M4X20 SCREW |
| C 86 | FIGURE 3 | | | |
| 87 | 227057 | 538227057 | 2 | STUD BOLT |
| C 88 | 229502 | 538229502 | 1 | MUFFLER GASKET |
| C 89 | 241257 | 538241257 | 1 | MUFFLER ASSY |
| 90 | 229501 | 538229501 | 1 | MUFFLER HOLDER |
| 91 | 227275 | 538227275 | 1 | SHIELD |
| 92 | 235216 | 538235216 | 2 | M5 NUT |
| 93 | 229563 | 538229563 | 2 | M5X10 SCREW |
| 96 | 242548 | 538242548 | 1 | ENGINE COVER ASSY |
| 97 | 229712 | 538229712 | 3 | M5X16 SCREW |
| 98 | 235248 | 538235248 | 3 | WASHER D.5 |
| 99 | 242550 | 538242550 | 1 | AIR FILTER ASSY |
| 100 | • 241089 | 538241089 | 1 | AIR FILTER RELEASE LEVER |
| 101 | • 229525 | 538229525 | 2 | SUCTION HOSE |
| B 102 | 227561 | 538227561 | 1 | AIR FILTER |
| 103 | 227458 | 538227458 | 2 | M5X21 MODIFIED SCREW |
| 104 | 247877 | 538247877 | 1 | AIR FILTER BOX ASSY |
| 105 | 227971 | 538227971 | 2 | BUSHING |
| 106 | 227563 | 538227563 | 2 | M 5X16 SCREW |
| 107 | 235205 | 538235205 | 2 | 4,2X19 SCREW |
| 108 | 241090 | 538241090 | 1 | FILTER COVER BRACKET |
| C 109 | 242439 | 538242439 | 1 | IGNITION SWITCH |
| 110 | 229380 | 538229380 | 1 | DUST SHIELD |
| C 111 | 229377 | 538229377 | 1 | AIR LEVER ASSY |
| 112 | 247894 | 538247894 | 1 | FLYWHEEL CRANKCASE ASSY |
| 113 | • 229449 | 538229449 | 1 | BEARING 15X35X11 (6202) |
| C 114 | • 229452 | 538229452 | 1 | 15X26X4/4,5 RING |
| 115 | • 235221 | 538235221 | 2 | D.4X16 PIN |
| 116 | • 236728 | 538236728 | 1 | COTTER PIN |
| 117 | 241146 | 538241146 | 1 | M6X20 SCREW |
| 118 | 241145 | 538241145 | 1 | M6X45 MODIFIED SCREW |
| 120 | 229560 | 538229560 | 1 | CLAMP |
| 121 | 235530 | 538235530 | 6 | M5 X 35 SCREW |

| Item | P/N McC | P/N ELX | Qty | DESCRIPTION |
|-------|----------|-----------|-----|-------------------------|
| 122 | 229559 | 538229559 | 2 | CLAMP |
| C 123 | 227975 | 538227975 | 1 | CRANKCASE SEAL |
| 124 | 240060 | 538240060 | 1 | ENGINE SHAFT ASSY |
| C 125 | • 229453 | 538229453 | 1 | 12X16X16 NEEDLE BEARING |
| C 126 | 227631 | 538227631 | 1 | KEY |
| C 127 | 227461 | 538227461 | 1 | OIL TUBE |
| C 128 | 227464 | 538227464 | 1 | OIL FILTER ASSY |
| C 129 | • 227527 | 538227527 | 1 | O-RING |
| 131 | • 229450 | 538229450 | 1 | BEARING 17x40x12 |
| C 141 | 227530 | 538227530 | 1 | OIL PUMP ASSY |
| C 142 | • 227385 | 538227385 | 1 | DRIVEN GEAR |
| C 143 | 227383 | 538227383 | 1 | OIL PUMP ADJUSTER |
| C 144 | 235432 | 538235432 | 1 | 2018 O-RING |
| 145 | 229861 | 538229861 | 2 | M4X14 SCREW |
| 146 | 227630 | 538227630 | 2 | WASHER D.4 |
| C 147 | 227387 | 538227387 | 1 | DRIVE GEAR |
| 148 | 227970 | 538227970 | 1 | OIL PUMP COVER |
| 149 | 227627 | 538227627 | 5 | WASHER D.4 |
| 150 | 227611 | 538227611 | 5 | M4X12 SCREW |
| C 151 | 240054 | 538240054 | 1 | CLUTCH DRUM ASSY |
| B 152 | • 227547 | 538227547 | 1 | PINION |
| 153 | • 227389 | 538227389 | 1 | SPACER |
| 154 | • 227548 | 538227548 | 1 | 2,5X14 PIN |
| C 155 | 227329 | 538227329 | 1 | NEEDLE BEARINGS |
| C 156 | 240055 | 538240055 | 1 | CLUTCH ASSY |
| 157 | 241247 | 538241247 | 1 | M10 NUT |
| 159 | 227388 | 538227388 | 1 | SPACER |
| 160 | 235248 | 538235248 | 2 | D.5X10X1 WASHER |

| FIGURE 3 CARBURETOR | | | | |
|----------------------------|-----------|-----------|---|-----------------------|
| C - | 229400 | 538229400 | 1 | WJ23 CARBURETTOR |
| B 1 | • 229925 | 538229925 | 1 | MAJOR REPAIR KIT |
| A 2 | •• 237211 | 538237211 | 1 | GASKET+DIAPH JW11 KIT |
| 3 | • 229927 | 538229927 | 2 | SPRING NEEDLE |
| 4 | • 229928 | 538229928 | 1 | IDLE KIT WJ23 |
| 5 | • 229929 | 538229929 | 1 | IDLE L WJ23 |
| 6 | • 229930 | 538229930 | 1 | H/L CARB.NEEDLE |

| FIGURE 4 CYLINDER / PISTON | | | | |
|-----------------------------------|-----------|-----------|---|---------------------|
| C 1 | 247893 | 538247893 | 1 | CYLINDER/PISTON KIT |
| B 2 | • 227974 | 538227974 | 1 | CYLINDER GASKET |
| C 3 | • 229543 | 538229543 | 1 | PISTON KIT |
| 4 | •• 229544 | 538229544 | 2 | RETAINING RING |
| B 5 | •• 229070 | 538229070 | 2 | PISTON RING |
| C 6 | • 229515 | 538229515 | 1 | PULSE HOSE |
| C 7 | • 227634 | 538227634 | 1 | ALUMINUM WASHER D.5 |

A=ALTA ROTAZIONE
B=MEDIA ROTAZIONE
C=ALTA ROTAZIONE

A=HIGH MOVING
B=MEDIUM MOVING
C=SLOW MOVING

A=HAUTE DEMANDE
B=MOYENNE DEMANDE
C=BASSE DEMANDE

A=GROBE NACHFRAGE
B=MITTELMAESSIGE
C=WENIGE NACHFRAGE

NUOVI CODICI

NEW P. NUMBERS

NOUVELLES REFERENCES

NEU CODEX