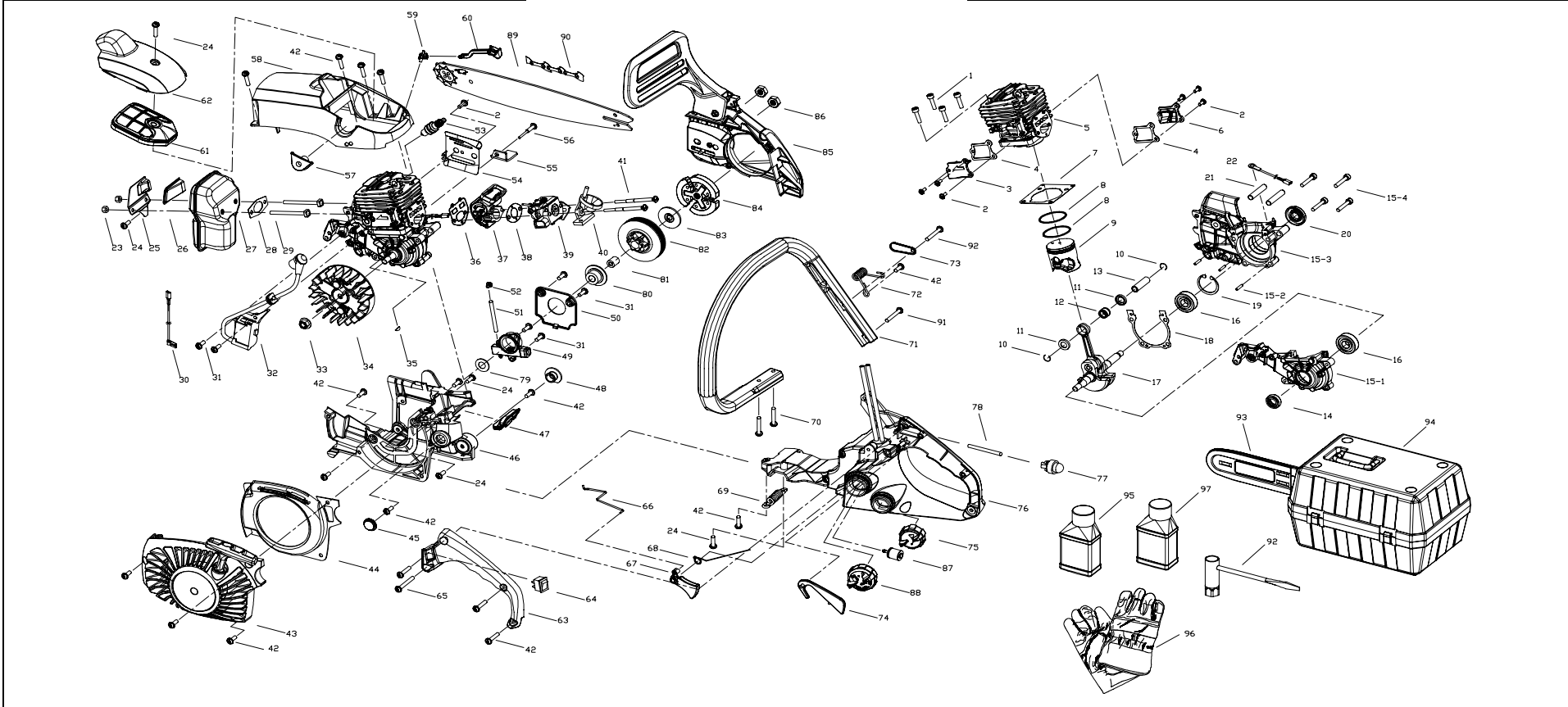




SERVICE SPARE PARTS LIST

SPECIFY MODEL NO. WHEN ORDERING PARTS	
40cc Gas Chain Saw	
MODEL NO.	PMC1640BKX

DATE	REVISED DATE	PAGE
6/29/2007	6/29/2007 V0	1/2





SERVICE SPARE PARTS LIST

SPECIFY MODEL NO. WHEN ORDERING PARTS												DATE		REVISED DATE		PAGE
40cc Gas Chain Saw												6/29/2007		6/29/2007		2/2
MODEL NO.			PMC1640BKX											V0		
No.	STK CODE	JFT Parts No.	Description	Q	No.	STK CODE	JFT Parts No.	Description	Q	No.	STK CODE	JFT Parts No.	Description	Q		
1		9SGEB-05-20	SCREW	4	31		9SKKB-04-14	SCREW	6	65		9SKKB05-35	SCREW	1		
2		9SKKB-04-10	SCREW	7	32		9288-310801	IGNITION ASS'Y	1	66		9188-310802	PUSH ROD	1		
3		9067-310802	CAP	1	33		9NHC-08	NUT	1	67		9028-310802	TRIGGER, THROTTLE	1		
4		9014-310803	GASKET	2	34		9169-310801	FLYWHEEL ASS'Y	1	68		9024-310801	SPRING	1		
5		9292-310801F□	CYLINDER	1	35		6221-830301	WOODRUFF KEY	1	69		9024-310803	SPRING	1		
6		9067-310801	CAP	1	36		9014-310805	SPACER	1	70		9SKKB05-27	SCREW	2		
7		9014-310801	GASKET	1	37		9228-310806	ISOLATER ASS'Y, CARBURETER	1	71		9068-310805	HANDLE, FRONT	1		
8		9189-310801-A	PISTON RING	2	38		9014-310006	SPACER	1	72		9024-310802	SPRING	1		
9		9290-310801-A	PISTON	1	39		9287-310801	CARBURETER	1	73		9043-310802	CAP, SPRING	1		
10		9CA-10-3	RING	2	40		9072-310803	AIR GUIDE	1	74		9028-310801	TRIGGER, RELEASE	1		
11		9131-310801	WASHER	2	41		9SKKB-04-70	SCREW	2	75		9228-310809	OIL CAP ASS'Y	1		
12		9NR-K101411	ROLLER	1	42		9SKKB05-18	SCREW	14	76		9228-310816	HANDLE ASS'Y (R)	1		
13		9PC-10-35-A	PIN, PISTON	1	43		9228-310835	STARTER HOUSING ASS'Y	1	77		9142-310002	PRIMER	1		
14		9157-332101	SEAL	1	44		9211-310801	CAP, AIRWAY	1	78		9129-310803	PIPE	1		
15		9228-310819□	CLY CASE ASS'Y	1	45		9105-310802	CAP, RUBBER	1	79		9WFB-10-18	SPACER	1		
15-1		9072-310802F	CLY CASE, LEFT	1	46		9228-310810	BRACKET ASS'Y	1	80		9073-310803	WORM	1		
15-2		9PA-03-08S	PIN	3	47		9012-310801	FIXED, PUSH ROD	1	81		9NR-K101313	ROLLER	1		
15-3		9072-310801F	CLY CASE, RIGHT	1	48		9105-310801	CAP, RUBBER	1	82		9200-310801	DRUM ASS'Y	1		
15-4		9SKKB-05-27	SCREW	4	49		9228-310805	PUMP ASS'Y	1	83		9014-310807	WASHER	1		
16		9DB-620101	BEARING	2	50		9072-310806	CAP, ANTI-DUST	1	84		9228-310813	CLUTCH ASS'Y	1		
17		9228-310801-A	CRANK, ROD ASS'Y	1	51		9129-310804	PIPE	1	85		9228-310802	BRAKE KIT ASS'Y	1		
18		9014-310802	GASKET	1	52		9154-310802	CONNECTOR	1	86		9NAZ-5/16-18	NUT	2		
19		9CB-32	RING	1	53		9295-310801	SPARK PLUG	1	87		9182-310101	FUEL FILTER	1		
20		9157-310801	SEAL	1	54		9014-310811	SPACER	1	88		9228-310820	FUEL CAP ASS'Y	1		
21		9191-310802	SCREW	2	55		9263-310801	CHAIN CATCH	1	89		9040-310805F	BAR	1		
22		9010-310801	WIRE	1	56		9SKKB-05-32	SCREW	1	90		6220-210813	CHAIN	2		
23		9NCC-05U	NUT	2	57		9105-310803	CAP, ADJUST	1	91		9SKKB05-22	SCREW	2		
24		9SKKB-05-14	SCREW	7	58		9067-310805	SHROUD	1	92		9042-310201	SPANNER	1		
25		9014-310810	COVER, MESH	1	59		9072-310804	HOLDER, CHOKE LEVER	1	93		9101-310805	SCABBARD	1		
26		9016-310801	SPARK ARRESTER	1	60		9114-310801	LEVER, CHOKE	1	94		9120-310801	CARRY CASE	1		
27		9228-310804	MUFFLER ASS'Y	1	61		9228-310808	AIR FILTER ASS'Y	1	95		9066-310101	OIL	1		
28		9014-310804	BAFFLE	1	62		9067-310806	TOP COVER	1	96		9293-310101	GLOVES	1		
29		9191-310803	SCREW	2	63		9068-310803	HANDLE, LB	1	97		9066-31B201	CHAIN BAR OIL	1		
30		9010-310802	WIRE	1	64		9022-310701	SWITCH	1							