



ILLUSTRATED PARTS LIST

PROMAC 36

PREFIX 02

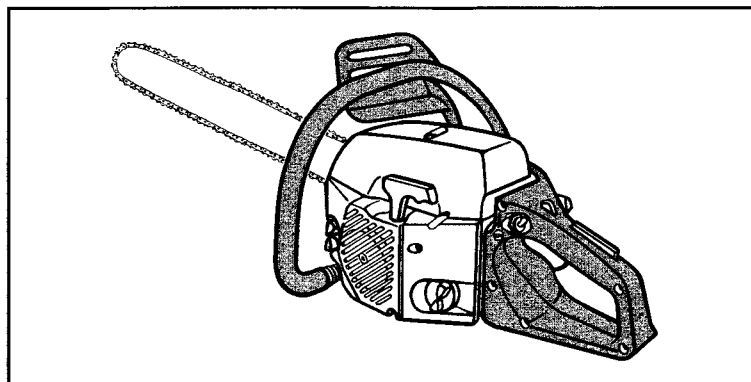
PROMAC 38-40-46

PREFIX 02, 03

TITAN 41-46

PREFIX 02, 03

CE



November 1998

Small Engine Parts

C	1	240872	PM 38-40-46	1	86	240322	2	
C		240337	PM 36	1	87	240338	1	
C		240943	TITAN	1		240871	PM 46-TITAN 46	1
	2	●240288		1	88	240320	1	
	3	●240287	PM 36	1	89	240321	1	
		●240369	PM 38-40-46	1	90	236936	1	
		●240944	TITAN	1	91	240272	1	
B	4	●240311		1	92	240344	1	
	5	●227349		1	93	240291	1	
	6	●240326		1	94	●240297	1	
	7	●227351		1	95	●236981	2	
	8	●227352		1	96	240299	1	
	9	●240928		1	97	236997	M5x30	1
	10	●240929		1	98	227626	2	
	11	●240690		1	99	227567	M5x70	2
	12	●227521		1	C 100	240359	1	
	13	●229394		1	C	240361	PM 36	1
	14	●227524		1	C 101	240855	1	
	15	●235367		1	C	240873	PM 36	1
	16	●235811		1	C	248056	1	
	17	●240863		3	102	●235899	1	
	18	●235500		2	103	●228872	1	
	19	●227259		1	C 104	●235900	1	
	20	●240360		1	105	240312	1	
C		●240362	PM 36	1	106	240327	PREFIX 02	1
A	21	227762		2	107	240327	PREFIX 02	1
A		240351	PM 36	2		240355	PREFIX 02	1
C	22	240339		1		241255	PREFIX 03	1
C	23	●240301		1		241256	PREFIX 03	1
C	24	●240302		1	C 108	●235742	1	
C	25	●240303		1	C	●227329	PM 46-TITAN 46	1
C	26	●240367		1	C 109	102164	PREFIX 02	1
	27	●240862		5	C	227631	PREFIX 03	1
	28	229524		1		235672	1	
C	29	240859		1	110	247252	PREFIX 02	1
	30	227259		1			PM38-40-46	1
	31	240845	M5x16	1			TITAN 41-46	1
C	32	247259		1		247251	PREFIX 02-PM36	1
	33	240315		2		248057	PREFIX 03	1
	34	235248		2	112	●235230	PREFIX 02	1
	35	235802	M5x14	2		●241253	PREFIX 03	1
C	36	240370		1		●235229	PREFIX 02	1
	37	240281		1	C 113	●228872	PREFIX 03	1
B	38	240282		1	C	●240349	1	
B		240289	PM 46-TITAN 46	1	B 114	●240348	PM36	2
B	39	240285		1		●235658	1	
	40	240354		1		●235735	1	
	41	235248		1	115	227259	1	
	42	235802	M5x14	1	116	235806	M5x20	1
	43	235248		1	117	240317	1	
	44	235803	M5x25	1	A 119	●235642	1	
	45	227259		1	B 120	●240205	1	
	46	235802	M5x14	1	B 121	●240318	1	
C	47	240336	PROMAC	1	B 122	235642	1	
		240945	TITAN	1		240310	1	
	48	●240316	M5x35	1		240333	1	
	49	●240921		1		240309	1	
	50	●229208		1	C 127	240363	1	
	51	●240884		1	B 128	240286	1	
B	52	●235372		1		241098	1	
A	53	●235042		1	C 130	241096	1	
B	54	●235040		1		131	240867	1
	55	235248		3		132	240920	1
	56	236997	M5x30	3	133	●240300	1	
B	57	240866		1	B 134	●240868	1	
C	58	●235511		1	C 135	●235675	1	
B	59	240865		1	A 136	●240452	1	
C	60	●235510		1	C 137	●227582	1	
	61	247290		1		●229716	1	
	62	●240358		3	138	241099	1	
	63	235218		1	B 141	240260	3/8"	1
	64	235138	PREFIX 02	1	B	240266	.325"	1
		241204	PREFIX 03	1		240323	1	
B	65	●235516		2	142	240930	PREFIX 02	1
B	66	●235517		2	143	241275	PREFIX 03	1
B	67	●235518		2		94244	PREFIX 02	1
C	68	241291		1	144	241285	PREFIX 03	1
	69	235806	M5x20	2	145	229250	1	
C	70	FIGURE 2		4	146	236997	M5x30	4
	71	227565	M5x25	4	B 147	241100	1	
	72	236934		1	C 148	●228854	1	
A	73	92879		1		●240308	1	
B	74	240345		1	150	●240874	1	
	75	240271		1	C 151	225062	1	
		240261	PM 46-TITAN 46	1	152	241102	PREFIX 02	1
	76	236997	M5x30	2		241272	PREFIX 03	1
	77	236529		2	C 153	240924	PREFIX 02	1
A	78	227692		1	C	241274	PREFIX 03	1
C	79	FIGURE 3		3	B 154	●240926	1	
	80	240328		2	155	●227359	3	
	81	240334	M4x40	2	156	●240925	PREFIX 02	1
	82	240262		1		●241273	PREFIX 03	1
	83	235248		2	157	235248	1	
	84	235216		2	158	228139	1	
B	85	240263		1	159	241162	1	

B Kit gasket PN 247249 (*-58-60-74-78-92-106-125)
 B Kit guarnizioni PN 247249 (*-58-60-74-78-92-106-125)
 B Kit joint PN 247249 (*-58-60-74-78-92-106-125)
 B Kit dichtung PN 247249 (*-58-60-74-78-92-106-125)

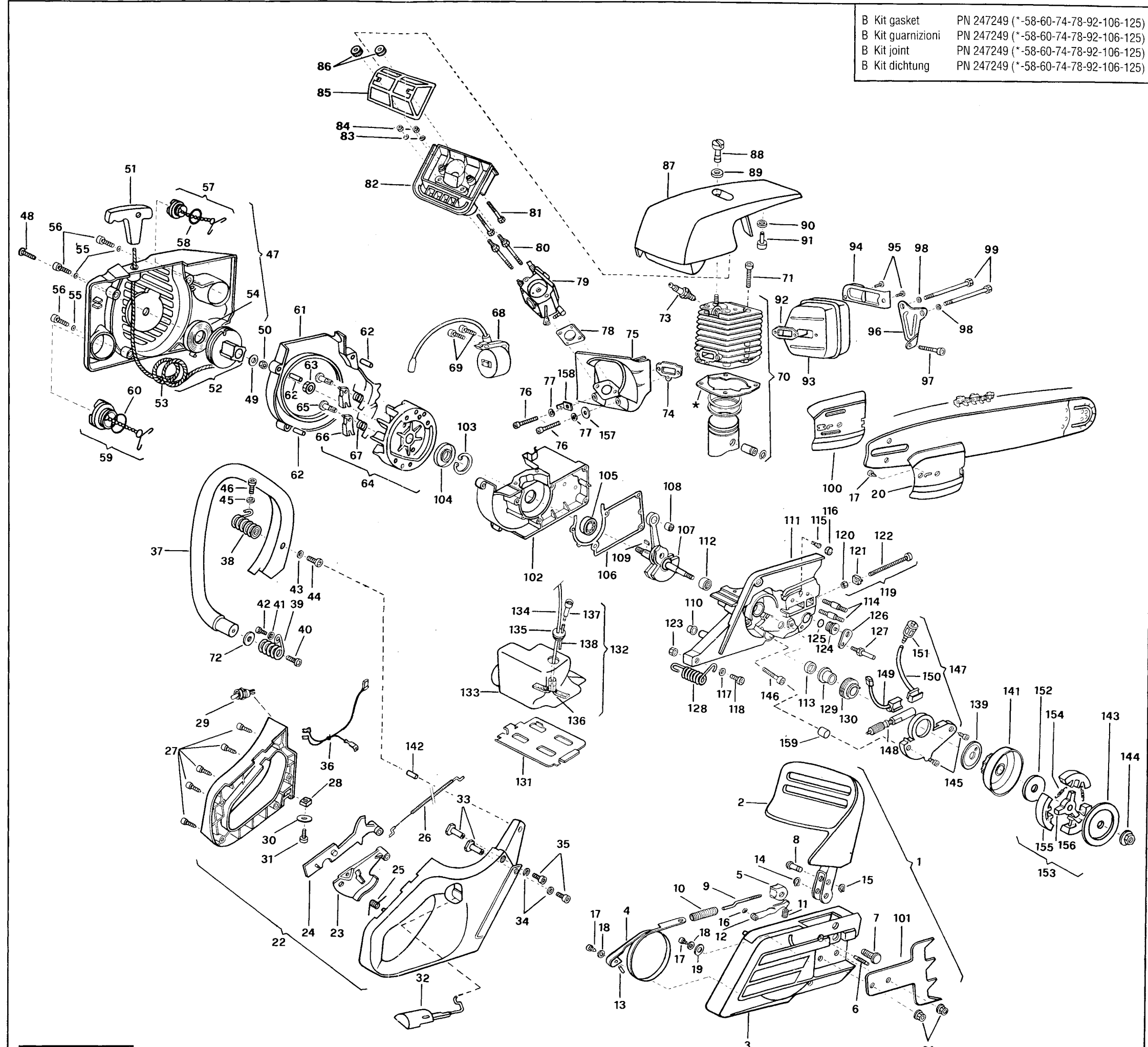


FIGURE 1

A = high moving - alta rotazione - haute demande - große Nachfrage
 B = medium moving - media rotazione - moyenne demande - mittelmäßige Nachfrage
 C = slow moving - bassa rotazione - basse demande - wenige Nachfrage

	38 cc	<table border="0"> <tr><td>C</td><td>1</td><td>•</td><td>247253</td><td>1</td></tr> <tr><td>B</td><td>2</td><td>•</td><td>240343</td><td>1</td></tr> <tr><td>C</td><td>3</td><td>•</td><td>247256</td><td>1</td></tr> <tr><td></td><td>4</td><td>••</td><td>235008</td><td>2</td></tr> <tr><td>B</td><td>5</td><td>••</td><td>240005</td><td>2</td></tr> </table>	C	1	•	247253	1	B	2	•	240343	1	C	3	•	247256	1		4	••	235008	2	B	5	••	240005	2
	C	1	•	247253	1																						
	B	2	•	240343	1																						
C	3	•	247256	1																							
	4	••	235008	2																							
B	5	••	240005	2																							
40 cc	<table border="0"> <tr><td>C</td><td>1</td><td>•</td><td>247254</td><td>1</td></tr> <tr><td>B</td><td>2</td><td>•</td><td>240343</td><td>1</td></tr> <tr><td>C</td><td>3</td><td>•</td><td>247257</td><td>1</td></tr> <tr><td></td><td>4</td><td>••</td><td>235008</td><td>2</td></tr> <tr><td>B</td><td>5</td><td>••</td><td>240085</td><td>2</td></tr> </table>	C	1	•	247254	1	B	2	•	240343	1	C	3	•	247257	1		4	••	235008	2	B	5	••	240085	2	
C	1	•	247254	1																							
B	2	•	240343	1																							
C	3	•	247257	1																							
	4	••	235008	2																							
B	5	••	240085	2																							
46 cc	<table border="0"> <tr><td>C</td><td>1</td><td>•</td><td>247255</td><td>1</td></tr> <tr><td>B</td><td>2</td><td>•</td><td>240343</td><td>1</td></tr> <tr><td>C</td><td>3</td><td>•</td><td>247258</td><td>1</td></tr> <tr><td></td><td>4</td><td>••</td><td>229544</td><td>2</td></tr> <tr><td>B</td><td>5</td><td>••</td><td>240353</td><td>1</td></tr> </table>	C	1	•	247255	1	B	2	•	240343	1	C	3	•	247258	1		4	••	229544	2	B	5	••	240353	1	
C	1	•	247255	1																							
B	2	•	240343	1																							
C	3	•	247258	1																							
	4	••	229544	2																							
B	5	••	240353	1																							

FIGURE 2

WALBRO WT 414				
C	-	•	240350	carbur.
B	1	•	247260	1
A	2	••	229191	1
	3	•	247261	1
	4	•	237481	1
	5	•	247388	H 1
	6	•	246540	L 1
	7	•	229601	2
C	8	•	247387	1

FIGURE 3 A = high moving - alta rotazione - haute demande - große Nachfrage
 B = medium moving - media rotazione - moyenne demande - mittelmäßige Nachfrage
 C = slow moving - bassa rotazione - basse demande - wenige Nachfrage