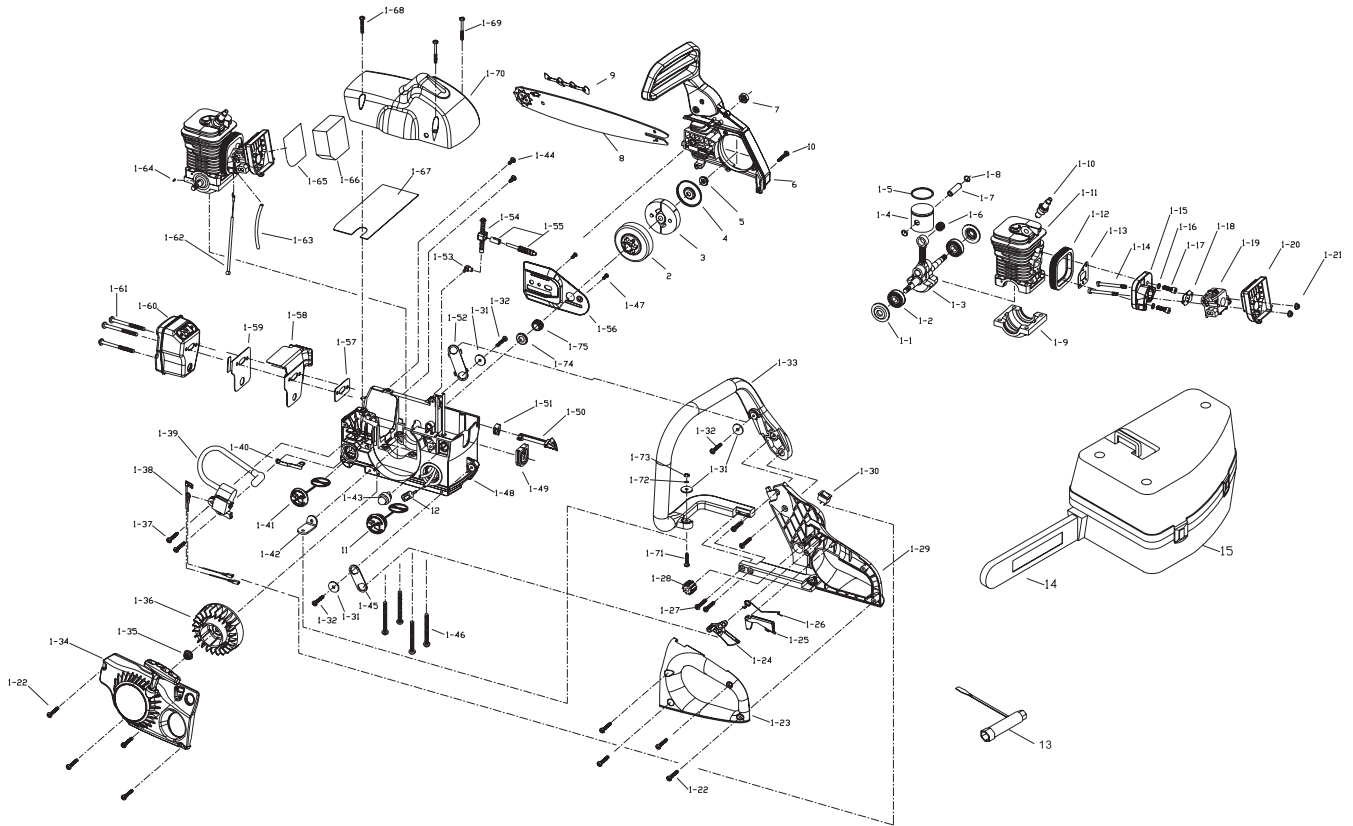


# 10 - PARTS LIST

## MODEL MS1434NAV/MS1436NAV/ MS1636NAV/ MS1636NAVCC



Item	Parts No.	Description	Item	Parts No.	Description	Item	Parts No.	Description
1	9238-MD0901	ENG ASS'Y	1-31	9WFB-05-21	WASHER	1-62	9010-310502	CABLE, THROTTLE
1-1	9157-310502	CAP, BEARING	1-32	9SKKY8/16-0.625	SCREW	1-63	9129-310504	FUEL PIPE
1-2	9DB-620101	BEARING	1-33	9068-310503	HANDLE, FRONT	1-64	9221-310001	WOODRUFF KEY
1-3	9228-310505	CRANK/ROD ASS'Y	1-34	9228-MD0901	STARTER HOUSING ASS'Y	1-65	9183-310502	MESH
1-4	9290-310501	PISTON	1-35	9NAB-5/16-24	NUT	1-66	9252-310501	FILTER, AIR
1-5	9189-310501	RING, PISTON	1-36	9169-310501	FLYWHEEL	1-67	9082-310508	BAFFLE
1-6	9NB-K101410	ROLLER, PISTON	1-37	9SKKY8/16-0.75	SCREW	1-68	9SKKY8/16-1	SCREW
1-7	9PC-10-34.5	PIN, PISTON	1-38	9010-310503	WIREASS'Y	1-69	9SKKY8/16-1.4	SCREW
1-8	9CA-10.3	RING	1-39	9288-310501-CH	IGNITION ASS'Y	1-70	9017-310509	SHROUD
1-9	9072-310501F	CASE, CRANK	1-40	9051-310501	CONDUCTIVE PLATE	1-71	9SKKB-05-19	SCREW
1-10	9295-310502	SPARK PLUG	1-41	9228-310207	OIL CAP ASS'Y	1-72	6WSB-05	SPRING WASHER
1-11	9292-310501F	CYLINDER	1-42	9043-MD1003	FIX PLATE	1-73	9NAB-05	NUT
1-12	9012-310502	RUBBER, ISOLATOR	1-43	9142-310002	PRIMER	1-74	9157-310501	FELT
1-13	9082-310505	SPACER	1-44	9SKKY8/16-0.5	SCREW	1-75	9073-310503	WORM
1-14	9STDB-05-60	SCREW	1-45	9043-MD1002	FIX PLATE	2	9228-310515	DRUM ASS'Y
1-15	9082-310504	ISOLATOR	1-46	9SFABJ06-55	SCREW	3	9228-310115	CLUTCH ASS'Y
1-16	6WSB-06	SPRING WASHER	1-47	6SDABB04-08	SCREW	4	9077-310501	CAP, ANTI-DUST
1-17	9SACB-06-25	SCREW	1-48	9228-310511	HOUSING ASS'Y	5	9NHC-09	NUT
1-18	9082-310506	SPACER	1-49	9012-310503	HOLDER, CABLE	6	9228-310501	BRAKE KIT ASS'Y
1-19	9287-310501	CARBURETOR	1-50	9114-310510	LEVER, CHOKE (MTD BLUE)	7	9NAZ-5/16-18	NUT
1-20	9228-310510	AIR FILTER ASS'Y	1-51	9012-310504	HOLDER, CHOKE LEVEL	8	9040-310510	BAR (MS1434NAV/MS1436NAV)
1-21	9NHZ-05	NUT	1-52	9043-MD1001	FIX PLATE		9040-310511	BAR (MS1636NAV/MS1636NAVCC)
1-22	9SGKY10/14-0.625	SCREW	1-53	9124-310102	CONNECTOR	9	6220-210803	CHAIN (MS1434NAV/MS1436NAV)
1-23	9068-310501	HANDLE, LEFT PART	1-54	9013-310501	OIL PIPE		6220-210816	CHAIN (MS1636NAV/MS1636NAVCC)
1-24	9028-310502	TRIGGER, THROTTLE	1-55	9228-310526	PUMP ASS'Y	10	9SGKY10/14-0.625	SCREW
1-25	9028-310501	TRIGGER, RELEASE	1-56	9017-310508	CAP, ANTI-DUST	11	9228-310206	FUEL CAP ASS'Y
1-26	9024-310504	SPRING	1-57	9082-310507	SPACER	12	9182-310001	FILTER
1-27	9SKKY10/14-0.68	SCREW	1-58	9082-310502	BAFFLE	13	9042-310201	WRENCH
1-28	9027-310101	RUBBER	1-59	9082-310501	BAFFLE	14	9017-310214	SCABBARD (MS1636NAVCC)
1-29	9068-310502	HANDLE, REAR	1-60	9228-310504	MUFFLER ASS'Y	15	9120-310201	CARRY CASE (MS1636NAVCC)
1-30	9022-310501	SWITCH	1-61	9SXDB-06-70	SCREW			

# Gas Chain Saw

## MS1434NAV

### ENGINE

**34cc, 2-Cycle Engine**

### Electronic Ignition

For reliable starts in all conditions

### Chrome-Plated Cylinder

For longer engine life

### SAW CAPABILITIES

#### 14" Bar Length

Cuts logs up to 28" in diameter

#### Automatic Oiler

Provides consistent lubrication to bar and chain while the saw is running

#### Sprocket Tip Bar

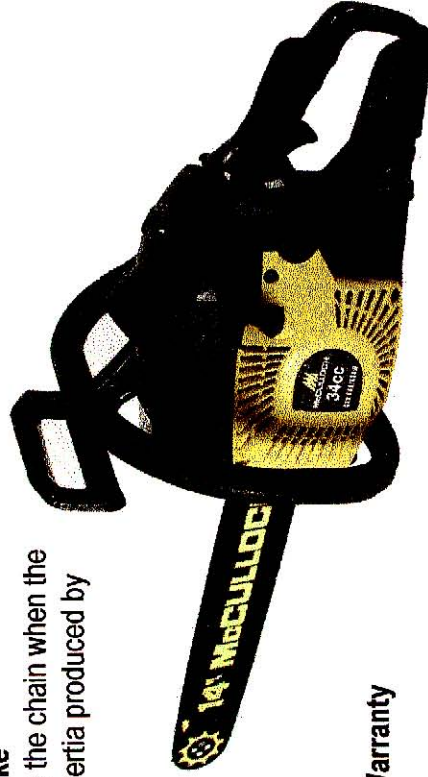
Increases the RPM of the chain and decreases bar wear

### Standard Chain Brake/Hand Guard

Immediately stops the chain when the user's hand contacts the chain brake lever in the event of kickback; for added safety and protection.

### Inertia Chain Brake

Immediately stops the chain when the saw encounters inertia produced by kickback



### OTHER FEATURES

1-Year Limited Warranty

**McCULLOCH**



14" Gas Chain Saw  
Model: TBD  
UPC: TBD

# Gas Chain Saw

## MS1436NAV

### ENGINE

**36cc, 2-Cycle Engine**

### Electronic Ignition

For reliable starts in all conditions

### Chrome-Plated Cylinder

For longer engine life

### SAW CAPABILITIES

#### 14" Bar Length

Cuts logs up to 28" in diameter

#### Automatic Oiler

Provides consistent lubrication to bar and chain while the saw is running

#### Sprocket Tip Bar

Increases the RPM of the chain and decreases bar wear

### Standard Chain Brake/Hand Guard

Immediately stops the chain when the user's hand contacts the chain brake lever in the event of kickback; for added safety and protection.

### Inertia Chain Brake

Immediately stops the chain when the saw encounters inertia produced by kickback



### OTHER FEATURES

1-Year Limited Warranty

**McCULLOCH**



14" Gas Chain Saw  
Model: TBD  
UPC: TBD

# Gas Chain Saw

## MS1636NAV

### ENGINE

**36cc, 2-Cycle Engine**

### Electronic Ignition

For reliable starts in all conditions

### Chrome-Plated Cylinder

For longer engine life

### SAW CAPABILITIES

#### 16" Bar Length

Cuts logs up to 32" in diameter

#### Automatic Oiler

Provides consistent lubrication to bar and chain while the saw is running

#### Sprocket Tip Bar

Increases the RPM of the chain and decreases bar wear

### Standard Chain Brake/Hand Guard

Immediately stops the chain when the user's hand contacts the chain brake lever in the event of kickback; for added safety and protection.

### Inertia Chain Brake

Immediately stops the chain when the saw encounters inertia produced by kickback



### OTHER FEATURES

1-Year Limited Warranty

**McCULLOCH**



16" Gas Chain Saw  
Model: TBD  
UPC: TBD