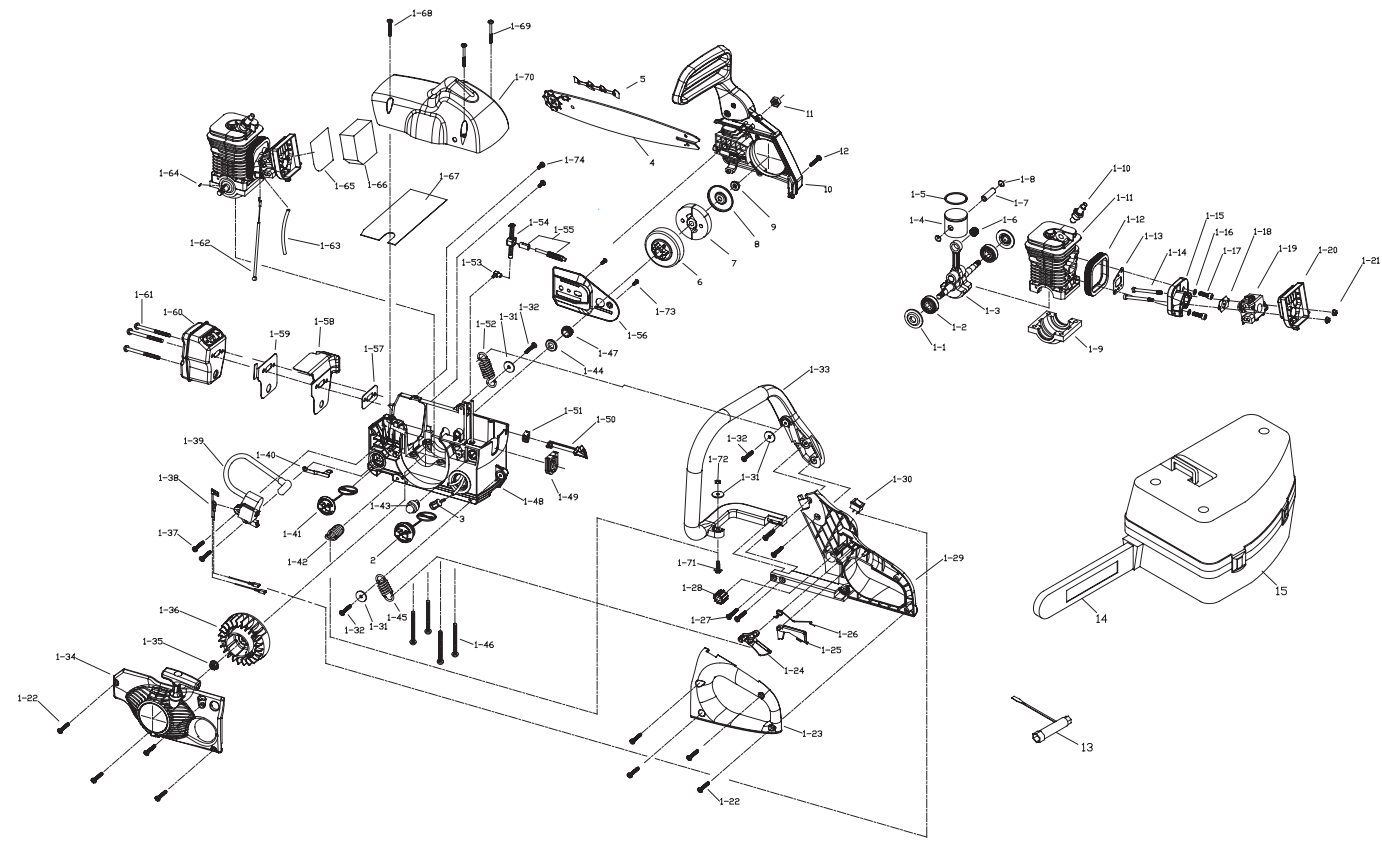


10 - PARTS LIST

MODEL MS1636AVCC/MS1839AVCC/MS1842AVCC



Item.	Parts No.	Description	Item.	Parts No.	Description	Item.	Parts No.	Description
1	9238-310505	ENG ASS'Y	1-30	9022-310501	SWITCH	1-60	9228-310504	MUFFLER ASS'Y
1-1	9157-310502	CAP, BEARING	1-31	9WFB-05-21	WASHER	1-61	9SXDB-06-70	SCREW
1-2	9DB-620101	BEARING	1-32	9SKKBY8/16-0.625	SCREW	1-62	9010-310502	CABLE, THROTTLE
1-3	9228-310505	CRANK/ROD ASS'Y	1-33	9068-310503	HANDLE, FRONT	1-63	9129-310504	FUEL PIPE
1-4	9290-310502	PISTON	1-34	9228-310502	STARTER HOUSING ASS'Y	1-64	9221-310001	WOODRUFF KEY
1-5	9189-310502	RING, PISTON	1-35	9NAB-5/16-24	NUT	1-65	9183-310502	MESH
1-6	9NB-K101410	ROLLER, PISTON	1-36	9169-310501	FLYWHEEL	1-66	9252-310501	FILTER, AIR
1-7	9PC-10-34.5	PIN, PISTON	1-37	9SKKBY8/16-0.75	SCREW	1-67	9082-310508	BAFFLE
1-8	9CA-10.3	RING	1-38	9010-310503	WIRE ASS'Y	1-68	9SKKBY-8/16-1	SCREW
1-9	9072-310501F	CASE, CRANK	1-39	9288-310501-CH	IGNITION ASS'Y	1-69	9SKKBY8/16-1.4	SCREW
1-10	9295-310502	SPARK PLUG	1-40	9051-310501	CONDUCTIVE PLATE	1-70	9017-310509	SHROUD
1-11	9292-310501F	CYLINDER	1-41	9228-310207	OIL CAP ASS'Y	1-71	9SKKBY05-18	SCREW
1-12	9012-310502	RUBBER, ISOLATOR	1-42	9228-310514	SPRING ASS'Y	1-72	9NAB-05	NUT
1-13	9082-310505	SPACER	1-43	9142-310002	PRIMER	1-73	6SDABB04-08	SCREW
1-14	9STDB-05-60	SCREW	1-44	9157-310501	FELT	1-74	9SKKBY8/16-0.5	SCREW
1-15	9082-310504	ISOLATOR	1-45	9024-310506	SPRING	2	9228-310206	FUEL CAP ASS'Y
1-16	6WSB-06	SPRING WASHER	1-46	9SFABJ06-55	SCREW	3	9182-310001	FILTER
1-17	9SACB-06-25	SCREW	1-47	9073-310503	WORM	4	9040-310511	BAR (MS1636AVCC)
1-18	9082-310506	SPACER	1-48	9228-310511	HOUSING ASS'Y		9040-310512	BAR (MS1839AVCC/MS1842AVCC)
1-19	9287-310501	CARBURETOR	1-49	9012-310503	HOLDER, CABLE	5	6220-210816	CHAIN (MS1636AVCC)
1-20	9228-310510	AIR FILTER ASS'Y	1-50	9114-310510	LEVER, CHOKE		6220-210805	CHAIN (MS1839AVCC/MS1842AVCC)
1-21	9NHZ-05	NUT	1-51	9012-310504	HOLDER, CHOKE LEVEL	6	9228-310515	DRUM ASS'Y
1-22	9SGKBY10/14-0.625	SCREW	1-52	9024-310507	SPRING	7	9228-310528	CLUTCH ASS'Y
1-23	9068-310501	HANDLE, LEFT PART	1-53	9124-310102	CONNECTOR	8	9077-310501	CAP, ANTI-DUST
1-24	9028-310502	TRIGGER, THROTTLE	1-54	9013-310501	OIL PIPE	9	9NHC-09	NUT
1-25	9028-310501	TRIGGER, RELEASE	1-55	9228-310526	PUMP ASS'Y	10	9228-310501	BRAKE KIT ASS'Y
1-26	9024-310504	SPRING	1-56	9017-310508	CAP, ANTI-DUST	11	9NAZ-5/16-18	NUT
1-27	9SKKBY10/14-0.68	SCREW	1-57	9082-310507	SPACER	12	9SGKBY10/14-0.625	SCREW
1-28	9027-310101	RUBBER	1-58	9082-310502	BAFFLE	13	9042-310201	WRENCH
1-29	9068-310502	HANDLE, REAR	1-59	9082-310501	BAFFLE	14	9017-310213	SCABBARD
						15	9120-310201	CARRY CASE

Gas Chain Saw

MS1839AVCC

ENGINE

38cc, 2-Cycle Engine

Electronic Ignition

For reliable starts in all conditions

Chrome-Plated Cylinder

For longer engine life

SAW CAPABILITIES

18" Bar Length

Cuts logs up to 36" in diameter

Automatic Oiler

Provides consistent lubrication to bar and chain while the saw is running

Sprocket Tip Bar

Increases the RPM of the chain and decreases bar wear

Standard Chain Brake/Hand Guard

Immediately stops the chain when the user's hand contacts the chain brake lever in the event of kickback; for added safety and protection.

Inertia Chain Brake

Immediately stops the chain when the saw encounters inertia produced by kickback

OTHER FEATURES

Carry Case Included

Protects saw in transit, as well as eliminates oil drip while in storage

Anti-Vibration Handle

Reduced vibration decreases user fatigue.

1-Year Limited Warranty



Carry Case Included



18" Gas Chain Saw
Model: TBD
UPC: TBD

McCULLOCH

Gas Chain Saw

MS1842AVCC

ENGINE

42cc, 2-Cycle Engine

With new vertical cylinder design

Electronic Ignition

For reliable starts in all conditions

Chrome-Plated Cylinder

For longer engine life

SAW CAPABILITIES

18" Bar Length

Cuts logs up to 36" in diameter

Automatic Oiler

Provides consistent lubrication to bar and chain while the saw is running

Sprocket Tip Bar

Increases the RPM of the chain and decreases bar wear

Standard Chain Brake/Hand Guard

Immediately stops the chain when the user's hand contacts the chain brake lever in the event of kickback; for added safety and protection.

Inertia Chain Brake

Immediately stops the chain when the saw encounters inertia produced by kickback

OTHER FEATURES

Carry Case Included

Protects saw in transit, as well as eliminates oil drip while in storage

Anti-Vibration Handle

Reduced vibration decreases user fatigue.

1-Year Limited Warranty



Carry Case Included



18" Gas Chain Saw
Model: 41AY82AR777
UPC: 0 19516 88555 1

MCCULLOCH