

MAC 835S-AV

22600035-27

MAC 836S-AV

22600035-24

MAC 838S-AV

22600038-36

MAC CAT 839-14

22600038-53

MAC CAT 839-16

22600038-32

MAC CAT 839-18

22600038-33

EUROMAC S 34P

22600035-40

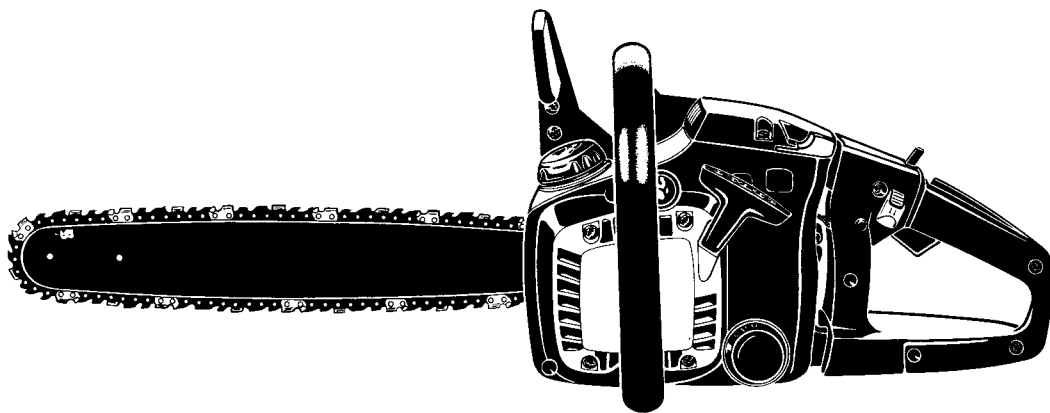
EUROMAC S 38P

22600038-43

EUROMAC S 39P

22600038-42

PN 211883



SEPTEMBER 1998

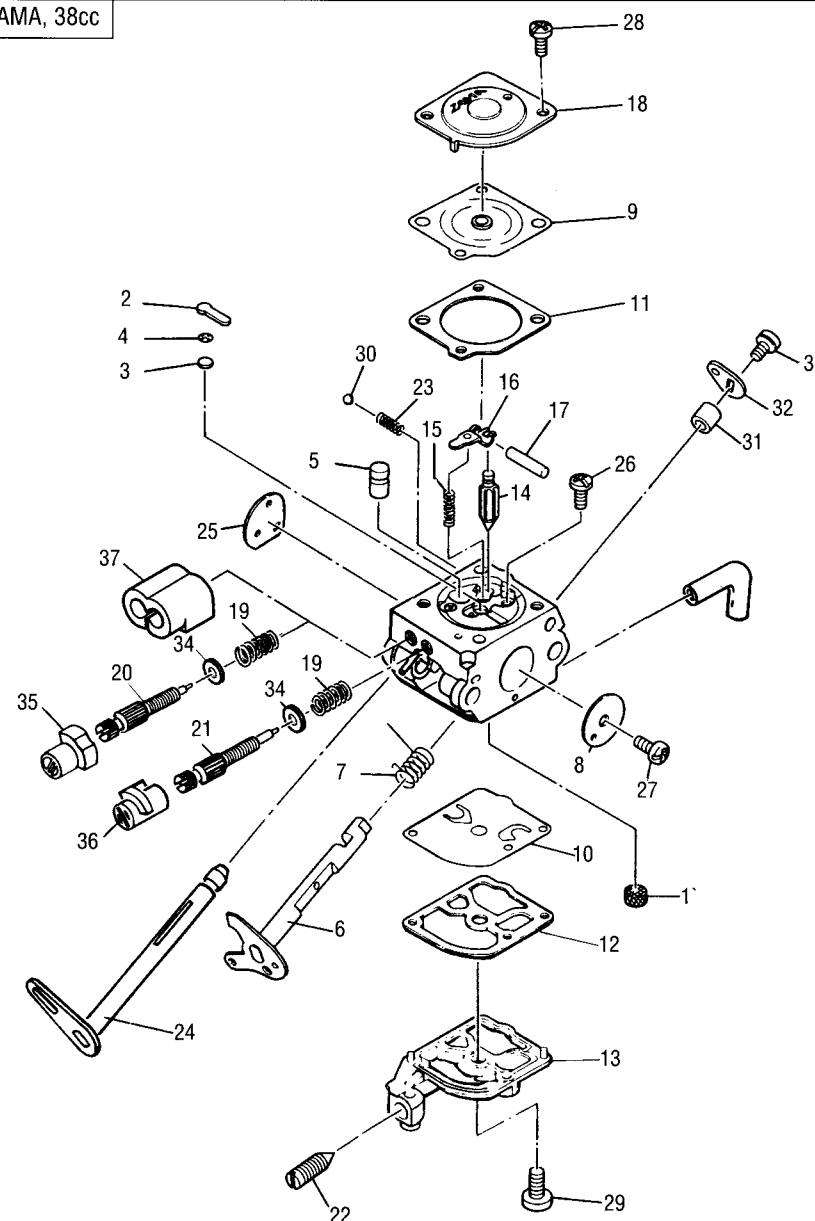
McCULLOCH®

© 1998 McCulloch Corporation, P.O. Box 11990, Tucson, AZ 85734-1990

C 324947-01 CARB. 2-STG, ZAMA, 38cc

1

1	①	---	1
2	①	---	1
3	---	---	1
4	---	---	1
5	---	---	1
6	---	---	1
7	---	---	1
8	---	---	1
9	①②	---	1
10	①②	---	1
11	①②	---	1
12	①②	---	1
13	---	---	1
14	①	---	1
15	①	---	1
16	①	---	1
17	①	---	1
18	---	---	1
19	---	---	2
20	---	---	1
21	---	---	1
22	---	---	1
23	---	---	1
24	---	---	1
25	---	---	1
26	---	---	1
27	---	---	1
28	---	---	2
29	---	---	1
30	---	---	1
31	---	---	1
32	---	---	1
33	---	---	1
34	---	---	2
35	111216	---	1
36	111217	---	1
37	---	---	1



B ① 301041 (RB-39)
 A ② 324009 (GND-35)

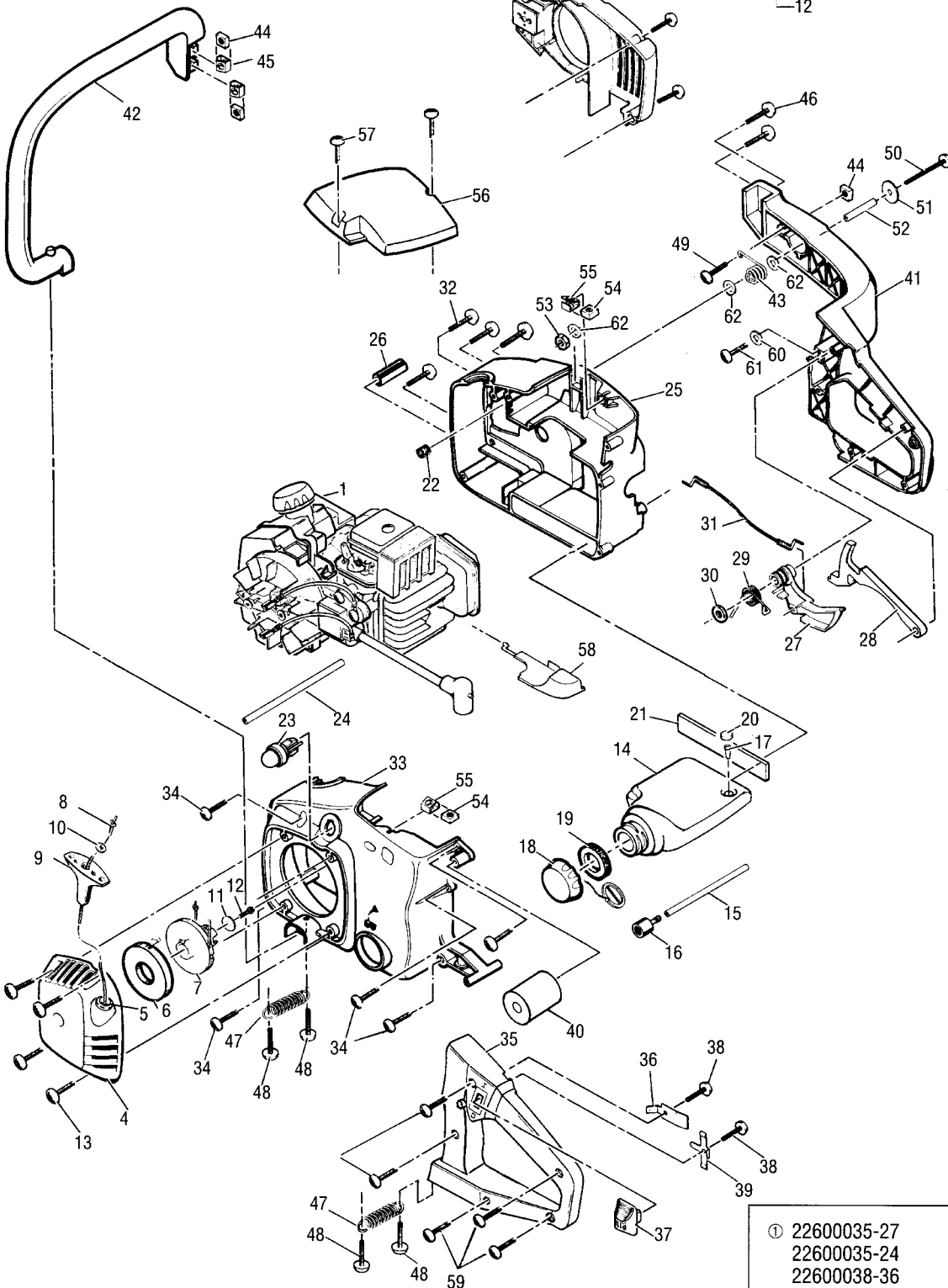
2

—14
—15
14—16
—17

18—19

25—26

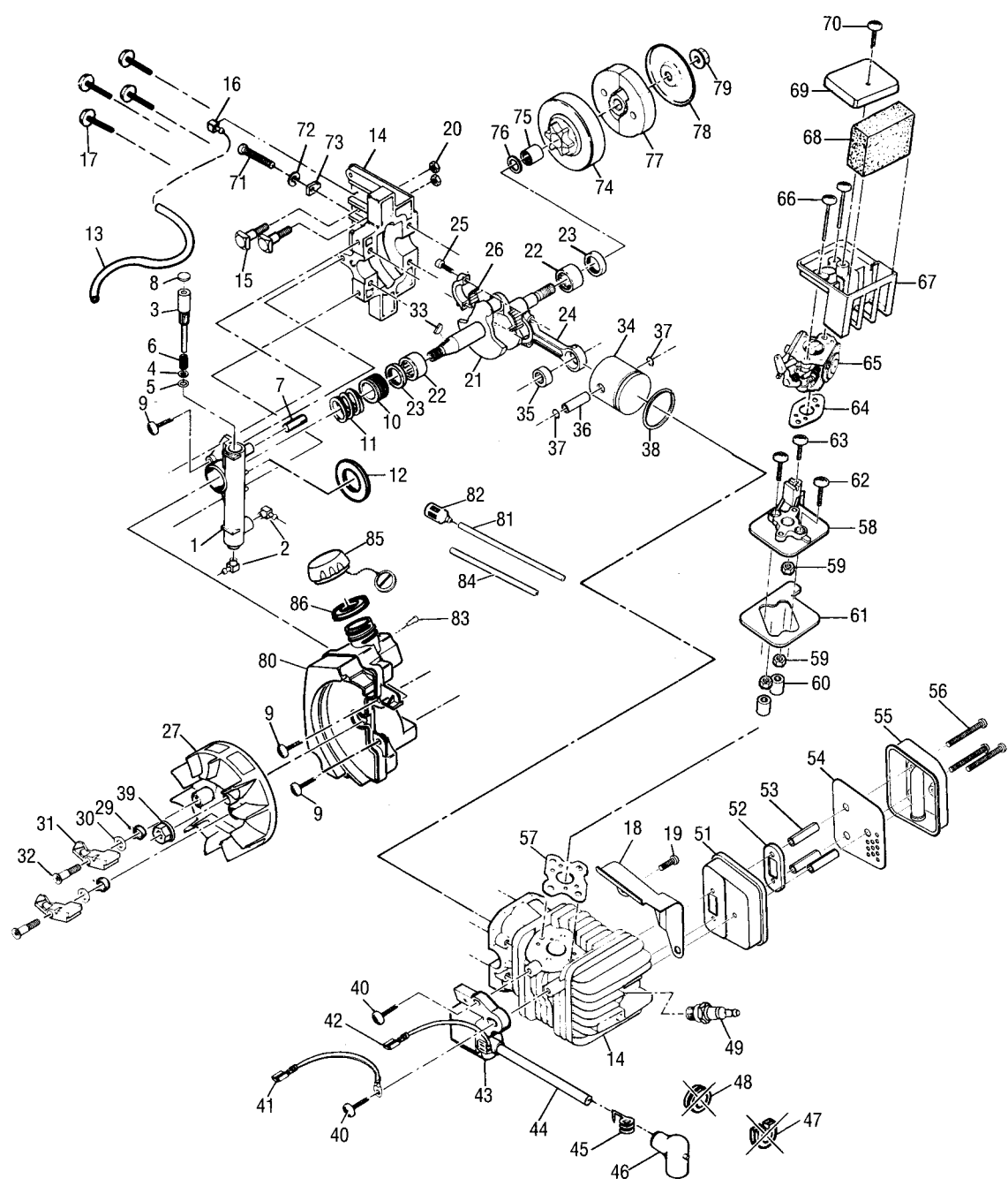
—4
—5
—6
—7
—8
3—9
—10
—11
—12



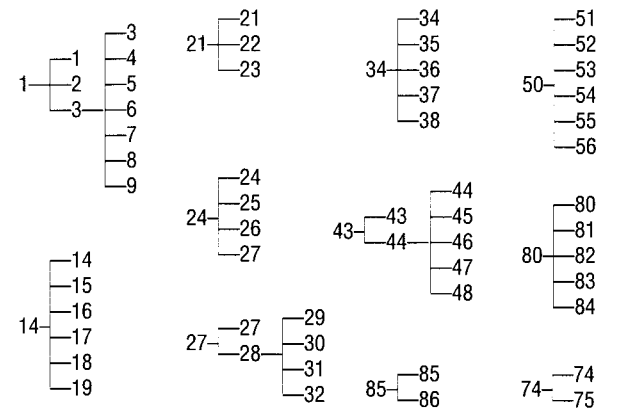
1	3	1
C 2	4	1
C 3	① 300264	1
C	② 300858	1
4	① . 301044	1
	② . 301651	1
5	.. ---	1
B 6	. 300475	1
B 7	. 301043	1
A 8	.. 300300	1
9	. 87851	1
10	. 223944	1
11	. 300297	1
12	. 300294	1
13	300294	4
14	300260	1
B 15	. 300289	1
A 16	. 225062	1
17	. 300256	1
B 18	300565	1
C 19	. 300269	1
20	300259	1
21	322195	1
22	300259	1
C 23	224242-02	1
B 24	300298	1
25	301056	1
26	. 111098	1
C 27	224821	1
C 28	224822	1
C 29	224823	1
30	111128	1
C 31	322409	1
32	111226	4
33	323947-61	1
34	300294	5
C 35	322164	1
36	322178	1
37	68846	1
38	223357	2
39	224844	1
C 40	300287	1
C 41	322163	1
C 42	322162-01	1
C 43	322165	1
44	218005	3
45	300292	2
46	111226	2
C 47	322166	2
48	300294	2
49	217935	1
50	218083	1
51	322176	1
52	322175	1
53	111135	1
54	218005	2
55	300292	2
56	224830	1
57	111099	2
C 58	224826	1
59	300294	5
60	300297	1
61	300294	1
62	93469	3

- ① 22600035-27
- 22600035-24
- 22600038-36
- 22600038-53
- 22600038-32
- 22600038-33
- ② 22600035-40
- 22600038-43
- 22600038-42

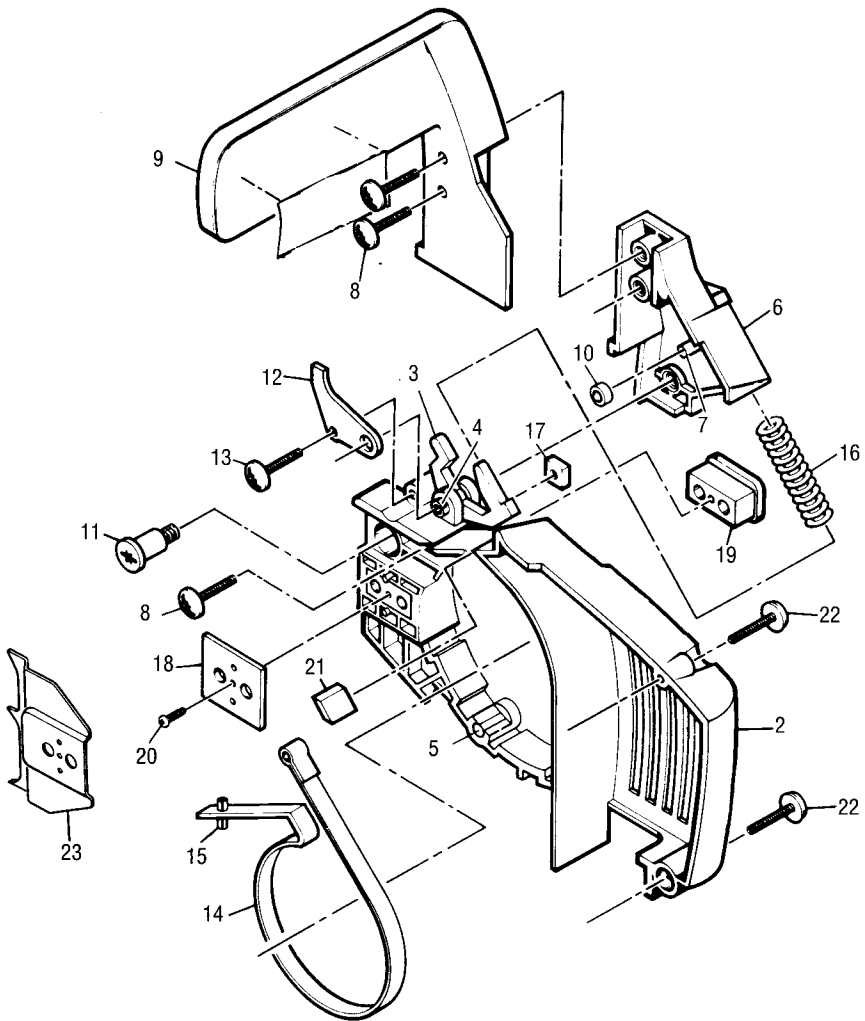
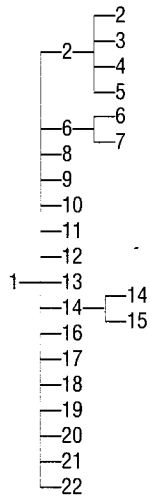
B 1	301304	1
2	. 322182	2
C 3	. 301084	1
4	.. 110582	1
5	.. ---	1
6	.. ---	1
7	.. ---	1
8	.. 322187	1
9	. 111226	3
C10	224814	1
11	224840	1
12	300295	1
13	300288	1
C14	301055	1
B15	. 83856-01	2
16	. 300257	1
17	. 111083	4
18	. 323923	1
19	. 111054	1
A20	110676	2
21	302140	1
C22	. 213282	2
B23	. 83859	2
24	94135-01	1
25	. 94654	2
26	. 68095	1
27	302220	1
C28	. 300763-01	2
C29	.. 216982	2
C30	.. 111131	2
C31	.. ---	2
C32	.. 322721	2
C33	102164	1
C34	301054-01	1
C35	. 323930	1
36	. 323943	1
37	. 111026	2
B38	. 301053	1
39	216640	1
40	217936	2
41	300555	1
42	300556	1
C43	302138	1
44	. 223884	1
45	.. 235433	1
46	.. 235922	1
47	③ .. 110995	1
48	③ .. 215533-01	1
A49	322208	1
50	301402	1
51	. 300280	1
52	. 300281	1
53	. 322206	1
54	. 323081	1
55	. 322205	1
56	. 218083	3
B57	300265	1
58	224820	1
59	218315	3
60	322188	2
61	224850	1
62	110749	2
63	217936	1
A64	300293	1



C 65	①	1	78	300276	1
66	218083	2	79	111079	1
67	224824	1	80	301834	1
B 68	224831	1	81	. 300289	1
69	224825	1	82	. 93720	1
70	111055	1	83	. 322199	1
A 71	223088	1	84	. 300290	1
A 72	110907	1	B 85	300564	1
A 73	68656	1	C 86	. 300267	1
B 74	95646	1			
75	. 91117	1			
76	215259	1			
B 77	301463	1			



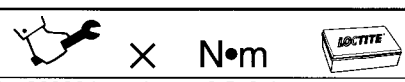
4



C	1	①	301558	1
C	1	②	301562	1
	2	①	301464	1
	2	②	301650	1
	3		216755	1
	4		----	1
	5		----	2
	6		301038	1
	7		----	1
	8		111226	3
C	9		323082	1
	10		224849	1
	11		224847	1
	12		224848	1
	13		300294	1
B	14		301037	1
	15		----	1
B	16		322204	1
	17		218005	1
	18		300275	1
	19		300271	1
	20		111101	1
	21		322194	1
	22		300299	2
C	23		322181	1

①	22600035-27
	22600035-24
	22600038-36
	22600038-53
	22600038-32
	22600038-33

②	22600035-40
	22600038-43
	22600038-42



Icon	X	Nom	Loctite
⊕ 12	300294	1	2.5-3.4
⊕ 13	300294	4	2.3-3.4
⊕ 32	111226	4	4.5-5.6
⊕ 34	300294	5	2.3-3.4
⊕ 46	111226	2	3.4-4.5
⊕ 49	217935	1	-
⊕ 50	218083	1	3.4-4.5
⊕ 53	111135	1	4.5-5.6
⊕ 9	111226	3	3.4-4.5
⊕ 17	111083	4	7.9-9.0
⊕ 20	110676	2	12.4
⊕ 40	110961	1	19.8-20.9
⊕ 41	217936	2	4.4-5.6
⊕ 50	322208	1	16.4-16.9
⊕ 57	218083	3	4.5-5.6
⊕ 59	300294	5	2.3-3.4
⊕ 63	217937	2	4.5-5.6
⊕ 64	217936	1	2.3-3.4
⊕ 67	218083	2	3.4-4.5
⊕ 71	111055	1	1.7-2.8
⊕ 80	111079	1	19.8-20.9
⊕ 11	224847	1	-
⊕ 13	300294	1	2.8-4.0
⊕ 20	111101	1	1.1-1.7

	PN 323330
	PN 323754 - T-10,15,20,25,27,30
	PN 226148 - T-25
	PN 111124 - T-27
	PN 237105

	322235-02	----	620 (10ml)
		----	242 (10ml)
		----	518 (50ml)
		----	380 (3ml)
		----	262 (10ml)
		----	767 (30ml)

A = high moving - alta rotazione - haute demande - große Nachfrage B = medium moving - media rotazione - moyenne demande - mittelmäßige Nachfrage C = slow moving - bassa rotazione - basse demande - wenige Nachfrage