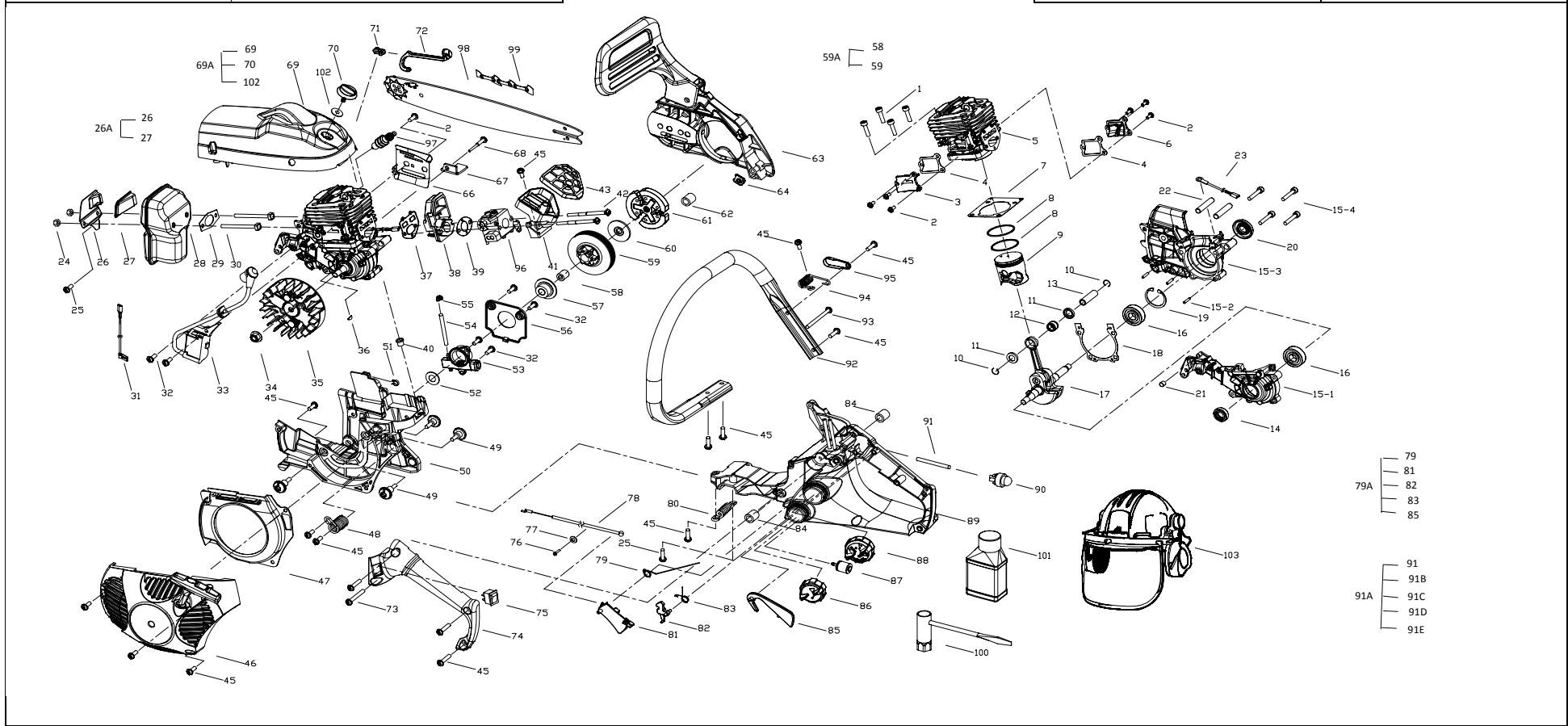




**SERVICE SPARE PARTS LIST**

|  |                  |
|--|------------------|
| <b>SPECIFY MODEL NO. WHEN ORDERING PARTS</b> |                  |
| 40cc Gas Chain Saw                           |                  |
| <b>MODEL NO.</b>                             | <b>MXC1840DH</b> |

|             |                     |
|-------------|---------------------|
| <b>DATE</b> | <b>REVISED DATE</b> |
| 11/28/2007  | 6/16/2009           |
|             | <b>V0</b>           |



**40cc Gas Chain Saw  
MXC1840DH**

**PARTS LIST**

6/16/2009

| No. | Parts No.             | Description                        | Q  | P Code |
|-----|-----------------------|------------------------------------|----|--------|
| 1   | 9SGEB-05-20           | SCREW                              | 4  | 110    |
| 2   | 9SKKB-04-10           | SCREW                              | 7  | 110    |
| 3   | 9067-310802           | CAP                                | 1  | 110    |
| 4   | 9014-310803           | GASKET                             | 2  | 110    |
| 5   | 9292-310801F自         | CYLINDER                           | 1  | 110    |
| 6   | 9067-310801           | CAP                                | 1  | 110    |
| 7   | 9014-310801           | GASKET                             | 1  | 110    |
| 8   | AO9290-310801-A-ZA999 | PISTON & PISTON RING ASS'Y         | 2  | 110    |
| 9   |                       |                                    | 1  | 110    |
| 10  | 9CA-10.3              | RING                               | 2  | 110    |
| 11  | 9131-310801           | WASHER                             | 2  | 110    |
| 12  | 9NR-K101411           | ROLLER                             | 1  | 110    |
| 13  | 9PC-10-35-A           | PIN, PISTON                        | 1  | 110    |
| 14  | 9157-332101           | SEAL                               | 1  | 110    |
| 15  | 9228-310819自          | CRANKCASE ASS'Y                    | 1  | 110    |
| 16  | 9DB-620101            | BEARING                            | 2  | 110    |
| 17  | 9228-310801-A         | CRANK/ROD ASS'Y                    | 1  | 110    |
| 18  | 9014-310802           | GASKET                             | 1  | 110    |
| 19  | 9CB-32                | RING                               | 1  | 110    |
| 20  | 9157-310801           | SEAL                               | 1  | 110    |
| 21  | 9059-311001           | BUSH                               | 1  | 110    |
| 22  | 9191-310802           | SCREW                              | 2  | 110    |
| 23  | 9010-311002           | WIRE                               | 1  | 110    |
| 24  | 9NCC-05U              | NUT                                | 2  | 110    |
| 25  | 9SKKB-05-14           | SCREW                              | 2  | 110    |
| 26A | AO9014-310810-US888   | KIT SPARK ARRESTOR INCL 26,27      | 1  | 110    |
| 26  | 9014-310810           | COVER, MESH                        | 1  | 110    |
| 27  | 9016-310801           | SPARK ARRESTER                     | 1  | 110    |
| 28  | 9228-311005T          | MUFFLER ASS'Y                      | 1  | 110    |
| 29  | 9014-310804           | GASKET                             | 1  | 110    |
| 30  | 9191-310803           | SCREW                              | 2  | 110    |
| 31  | 9010-311003           | WIRE                               | 1  | 110    |
| 32  | 9SKKB-04-14           | SCREW                              | 6  | 110    |
| 33  | 9288-310801           | IGNITION ASS'Y                     | 1  | 110    |
| 34  | 9NHC-08               | NUT                                | 1  | 110    |
| 35  | 9169-310801           | FLYWHEEL ASS'Y                     | 1  | 110    |
| 36  | 6221-830301           | WOODRUFF KEY                       | 1  | 110    |
| 37  | 9014-310805           | GASKET                             | 1  | 110    |
| 38  | 9082-311001           | ISOLATOR, CARBURETOR               | 1  | 110    |
| 39  | 9014-310006           | GASKET                             | 1  | 110    |
| 40  | 9013-311003           | RUBBER PLUG                        | 1  | 110    |
| 41  | 9228-311006           | AIR GUIDE ASS'Y                    | 1  | 110    |
| 42  | 9SKKB-04-70           | SCREW                              | 2  | 110    |
| 43  | 9183-311201           | AIR FILTER                         | 1  | 110    |
| 45  | 9SKKBB05-18           | SCREW                              | 16 | 110    |
| 46  | 9228-31P202           | STARTER HOUSING ASS'Y, 021C ORANGE | 1  | 110    |
| 46A | 9194-310801           | STARTAR ROPE                       | 1  | 110    |
| 46B | 9024-MD0701           | STARTER SPRING EZ                  | 1  | 110    |
| 46C | 9137-MD0701           | STARTER PULLEY                     | 1  | 110    |
| 46D | 9196-310702           | HANDLE                             | 1  | 110    |
| 46E | 9228-310503           | STARTER SPRING                     | 1  | 110    |
| 46F | 9137-31P201           | STARTER PULLEY EZ                  | 1  | 110    |
| 47  | 9211-311001           | CAP, AIRWAY                        | 1  | 110    |
| 48  | 9024-311001           | SPRING                             | 1  | 110    |
| 49  | 9191-311001           | SCREW                              | 4  | 110    |
| 50  | 9004-311001           | BRACKET                            | 1  | 110    |
| 51  | 9079-311002           | BUSH                               | 1  | 110    |
| 52  | 9WFB-10-18            | SPACER                             | 1  | 110    |
| 53  | 9228-310805           | OIL PUMP ASS'Y                     | 1  | 110    |
| 54  | 9129-311005           | OIL HOSE                           | 1  | 110    |

**40cc Gas Chain Saw  
MXC1840DH**

**PARTS LIST**

6/16/2009

| No. | Parts No.           | Description                                       | Q | P Code |
|-----|---------------------|---|---|--------|
| 55  | 9154-310802         | CONNECTOR   | 1 | 110    |
| 56  | 9072-310806         | CAP, ANTI-DUST                                    | 1 | 110    |
| 57  | 9073-310803         | WORM  | 1 | 110    |
| 58  | 9NR-K101313         | BEARING   | 1 | 110    |
| 59  | 9200-311201         | DRUM ASS'Y  | 1 | 110    |
| 59A | AO9200-311201-US888 | CLUTCH DRUM ASS'Y INCL 58, 59                     | 1 | 110    |
| 60  | 9014-310807         | WASHER  | 1 | 110    |
| 61  | 9228-311004         | CLUTCH ASS'Y                                      | 1 | 110    |
| 62  | 9013-311002         | RUBBER PLUG                                       | 1 | 110    |
| 63  | 9228-31P203         | BRAKE KIT ASS'Y, 021C ORANGE                      | 1 | 110    |
| 64  | 9NFZ-05-07          | NUT   | 1 | 110    |
| 66  | 9014-310811         | SPACER  | 1 | 110    |
| 67  | 9263-310801         | CHAIN CATCH                                       | 1 | 110    |
| 68  | 9SKKB-05-32         | SCREW   | 1 | 110    |
| 69  | 9067-31P204         | SHROUD, 021C ORANGE                               | 1 | 110    |
| 69A | AO9067-31P204US888  | SHROUD ASS'Y INCL 69, 70, 102                     | 1 | 110    |
| 70  | 9134-310801         | KNOB  | 1 | 110    |
| 71  | 9072-311001         | HOLDER, CHOKE LEVER                               | 1 | 110    |
| 72  | 9114-311001         | LEVER, CHOKE                                      | 1 | 110    |
| 73  | 9SKKBB05-27         | SCREW   | 1 | 110    |
| 74  | 9068-311005         | HANDLE ASS'Y (L), 021C ORANGE                     | 1 | 110    |
| 75  | 9022-310701         | SWITCH  | 1 | 110    |
| 76  | 9SKKBB04-10         | SCREW   | 1 | 110    |
| 77  | 9WFZ-04-12          | WASHER  | 1 | 110    |
| 78  | 9010-311001         | CABLE, THROTTLE                                   | 1 | 110    |
| 79  | 9024-311005         | SPRING  | 1 | 110    |
| 79A | AO9028-311001-US888 | KIT TRIGGER LOCKOUT INCL 79, 81, 82, 83, 85       | 1 | 110    |
| 80  | 9024-310803         | SPRING  | 1 | 110    |
| 81  | 9028-311001         | TRIGGER, THROTTLE                                 | 1 | 110    |
| 82  | 9028-311002         | TRIGGER, THROTTLE                                 | 1 | 110    |
| 83  | 9024-311003         | SPRING  | 1 | 110    |
| 84  | 9013-311001         | RUBBER PLUG                                       | 2 | 110    |
| 85  | 9028-310801         | TRIGGER, RELEASE                                  | 1 | 110    |
| 86  | 9228-310834         | OIL CAP ASS'Y, 021C ORANGE                        | 1 | 110    |
| 87  | 9182-310101         | FUEL FILTER                                       | 1 | 110    |
| 88  | 9228-310820         | FUEL CAP ASS'Y, 116C YELLOW                       | 1 | 110    |
| 89  | 9228-311020         | HANDLE ASS'Y (R), 021C ORANGE                     | 1 | 110    |
| 90  | 9142-310002         | PRIMER  | 1 | 110    |
| 91  | 9129-311002         | FUEL HOSE   | 1 | 110    |
| 91A | AO9129-311001-US888 | KIT FUEL HOSE & FILTER INCL 91, 91B, 91C, 91D 91E | 1 | 110    |
| 91B | 9129-311001         | FUEL HOSE   | 1 | 110    |
| 91C | 9129-311003         | FUEL HOSE   | 1 | 110    |
| 91D | 9182-310101         | FUEL FILTER                                       | 1 | 110    |
| 91E | 9012-330505         | GROMMET.  | 1 | 110    |
| 92  | 9068-311001-A       | HANDLE, FRONT                                     | 1 | 110    |
| 93  | 9SKKBY05-32         | SCREW   | 1 | 110    |
| 94  | 9024-311002         | SPRING  | 1 | 110    |
| 95  | 9043-311002         | CAP, SPRING                                       | 1 | 110    |
| 96  | 9287-311001         | CARBURETOR WT-808                                 | 1 | 110    |
| 97  | 9295-310801         | SPARK PLUG CHAMPION RZ7C                          | 1 | 110    |
| 98  | 9040-310845F        | BAR   | 1 | 110    |
| 99  | 6220-210815         | CHAIN   | 1 | 110    |
| 100 | 9042-310201         | SPANNER   | 1 | 110    |
| 101 | 9066-310101         | OIL 40 TO 1                                       | 1 | 110    |
| 102 | 9014-311003         | KNOB RETAINER                                     | 1 | 110    |
| 103 | 9125-310202         | HELMET  | 1 | 110    |