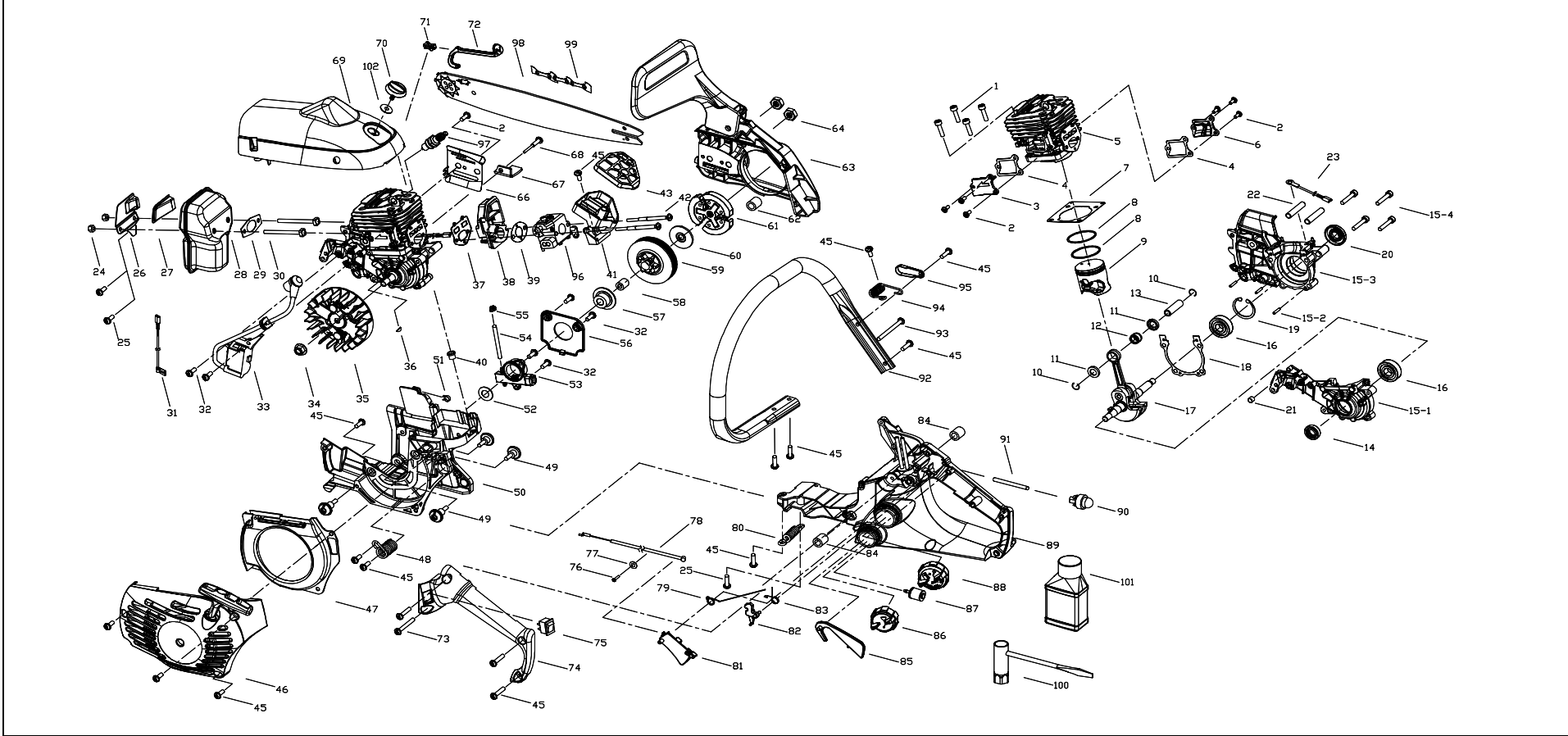




SERVICE SPARE PARTS LIST

| | | | | |
|---------------------------------------|----------|-----------|--------------|------|
| SPECIFY MODEL NO. WHEN ORDERING PARTS | | DATE | REVISED DATE | PAGE |
| 35cc Gas Chain Saw | | 2/15/2007 | N/A | 1/2 |
| MODEL NO. | MCC1635A | | | |





SERVICE SPARE PARTS LIST

| SPECIFY MODEL NO. WHEN ORDERING PARTS | | | | | | | | | | | | DATE | | REVISED DATE | | PAGE |
|---------------------------------------|----------|---------------|-----------------|---|-----|-------------|------------------------------------|-------------|-----|-----|---------------|-----------------------------|-------------|--------------|--|------|
| 35cc Gas Chain Saw | | | | | | | | | | | | 2/15/2007 | | N/A | | 2/2 |
| MODEL NO. | | | MCC1635A | | | | | | | | | | | | | |
| No. | STK CODE | JFT Parts No. | Description | Q | No. | STK CODE | JFT Parts No. | Description | Q | No. | STK CODE | JFT Parts No. | Description | Q | | |
| 1 | | 9SGEB-05-20 | SCREW | 4 | 32 | 9SKKB-04-14 | SCREW | 6 | 69 | | 9067-311001 | SHROUD | 1 | | | |
| 2 | | 9SKKB-04-10 | SCREW | 7 | 33 | 9288-310801 | IGNITION ASS'Y | 1 | 70 | | 9134-310801 | KNOB | 1 | | | |
| 3 | | 9067-310802 | CAP | 1 | 34 | 9NHC-08 | NUT | 1 | 71 | | 9072-311001 | HOLDER, CHOKE LEVER | 1 | | | |
| 4 | | 9014-310803 | GASKET | 1 | 35 | 9169-310801 | FLYWHEEL ASS'Y | 1 | 72 | | 9114-311001 | LEVER, CHOKE | 1 | | | |
| 5 | | 9292-311001F□ | CYLINDER | 1 | 36 | 6221-830301 | WOODRUFF KEY | 1 | 73 | | 9SKKB05-27 | SCREW | 1 | | | |
| 6 | | 9067-310801 | CAP | 1 | 37 | 9014-310805 | SPACER | 1 | 74 | | 9068-311002 | HANDLE ASS'Y (L) | 1 | | | |
| 7 | | 9014-310801 | GASKET | 1 | 38 | 9082-311001 | ISOLATER, CARBURETER | 1 | 75 | | 9023-310701 | SWITCH | 1 | | | |
| 8 | | 9189-311001 | PISTON RING | 2 | 39 | 9014-310006 | SPACER | 1 | 76 | | 9SKKB04-10 | SCREW | 1 | | | |
| 9 | | 9290-311002 | PISTON | 1 | 40 | 9013-311003 | RUBBER PLUG | 1 | 77 | | 9WFB-04-12 | WASHER | 1 | | | |
| 10 | | 9CA-10.3 | RING | 1 | 41 | 9228-311006 | AIR GUIDE ASS'Y | 1 | 78 | | 9010-311001 | CABLE, THROTTLE | 1 | | | |
| 11 | | 9131-310801 | WASHER | 1 | 42 | 9SKKB-04-70 | SCREW | 2 | 79 | | 9024-311005 | SPRING | 1 | | | |
| 12 | | 9NR-K101411 | ROLLER | 1 | 43 | 9183-311201 | SPONGE | 1 | 80 | | 9024-310803 | SPRING | 1 | | | |
| 13 | | 9PC-10-32 | PIN, PISTON | 1 | 45 | 9SKKB05-18 | SCREW | 16 | 81 | | 9028-311001 | TRIGGER, THROTTLE | 1 | | | |
| 14 | | 9157-332101 | SEAL | 1 | 46 | 9228-311002 | STARTER HOUSING ASS'Y, 116C YELLOW | 1 | 82 | | 9028-311002 | TRIGGER, THROTTLE | 1 | | | |
| 15 | | 9228-310819□ | CLY CASE ASS'Y | 1 | 47 | 9211-311001 | CAP, AIRWAY | 1 | 83 | | 9024-311003 | SPRING | 1 | | | |
| 15-1 | | 9072-310802F | CLY CASE, LEFT | 1 | 48 | 9024-311001 | SPRING | 1 | 84 | | 9013-311001 | RUBBER PLUG | 2 | | | |
| 15-2 | | 9PA-03-08S | PIN | 3 | 49 | 9191-311001 | SCREW | 4 | 85 | | 9028-310801 | TRIGGER, RELEASE | 1 | | | |
| 15-3 | | 9072-310801F | CLY CASE, RIGHT | 1 | 50 | 9004-311001 | BRACKET | 1 | 86 | | 9228-310809 | OIL CAP ASS'Y | 1 | | | |
| 15-4 | | 9SKKB-05-27 | SCREW | 4 | 51 | 9079-311002 | BUSH | 1 | 87 | | 9182-310101 | FUEL FILTER | 1 | | | |
| 16 | | 9DB-620101 | BEARING | 2 | 52 | 9WFB-10-18 | SPACER | 1 | 88 | | 9228-310820 | FUEL CAP ASS'Y, 116C YELLOW | 1 | | | |
| 17 | | 9228-310801-A | CRANK/ROD ASS'Y | 1 | 53 | 9228-310805 | PUMP ASS'Y | 1 | 89 | | 9228-311003 | HANDLE ASS'Y (R) | 1 | | | |
| 18 | | 9014-310802 | GASKET | 1 | 54 | 9129-311005 | PIPE | 1 | 90 | | 9142-310002 | PRIMER | 1 | | | |
| 19 | | 9CB-32 | RING | 1 | 55 | 9154-310802 | CONNECTOR | 1 | 91 | | 9129-311002 | PIPE | 1 | | | |
| 20 | | 9157-310801 | SEAL | 1 | 56 | 9072-310806 | CAP, ANTI-DUST | 1 | 92 | | 9068-311001-A | HANDLE, FRONT | 1 | | | |
| 21 | | 9059-311001 | BUSH | 1 | 57 | 9073-310803 | WORM | 1 | 93 | | 9SKKB05-32 | SCREW | 1 | | | |
| 22 | | 9191-310802 | SCREW | 2 | 58 | 9NR-K101313 | ROLLER | 1 | 94 | | 9024-311002 | SPRING | 1 | | | |
| 23 | | 9010-311002 | WIRE | 1 | 59 | 9200-311001 | DRUM ASS'Y | 1 | 95 | | 9043-311002 | CAP, SPRING | 1 | | | |
| 24 | | 9NCC-05U | NUT | 2 | 60 | 9014-310807 | WASHER | 1 | 96 | | 9287-311001 | CARBURETER WT-808 | 1 | | | |
| 25 | | 9SKKB-05-14 | SCREW | 2 | 61 | 9228-311004 | CLUTCH ASS'Y | 1 | 97 | | 9295-310801 | SPARK PLUG CHAMPION RZ7C | 1 | | | |
| 26 | | 9014-310810 | COVER, MESH | 1 | 62 | 9013-311002 | RUBBER PLUG | 1 | 98 | | 9040-310805F | BAR | 1 | | | |
| 27 | | 9016-310801 | SPARK ARRESTER | 1 | 63 | 9228-311001 | BRAKE KIT ASS'Y, 116C YELLOW | 1 | 99 | | 6220-210813 | CHAIN | 1 | | | |
| 28 | | 9228-311005T | MUFFLER ASS'Y | 1 | 64 | 9NAZ-516-18 | NUT | 2 | 100 | | 9042-310201 | SPANNER | 1 | | | |
| 29 | | 9014-310804 | BAFFLE | 1 | 66 | 9014-310811 | SPACER | 1 | 101 | | 9066-310101 | OIL | 1 | | | |
| 30 | | 9191-310803 | SCREW | 2 | 67 | 9263-310801 | CHAIN CATCH | 1 | 102 | | 9014-311003 | SPACER | 1 | | | |
| 31 | | 9010-311003 | WIRE | 1 | 68 | 9SKKB-05-32 | SCREW | 1 | | | | | | | | |