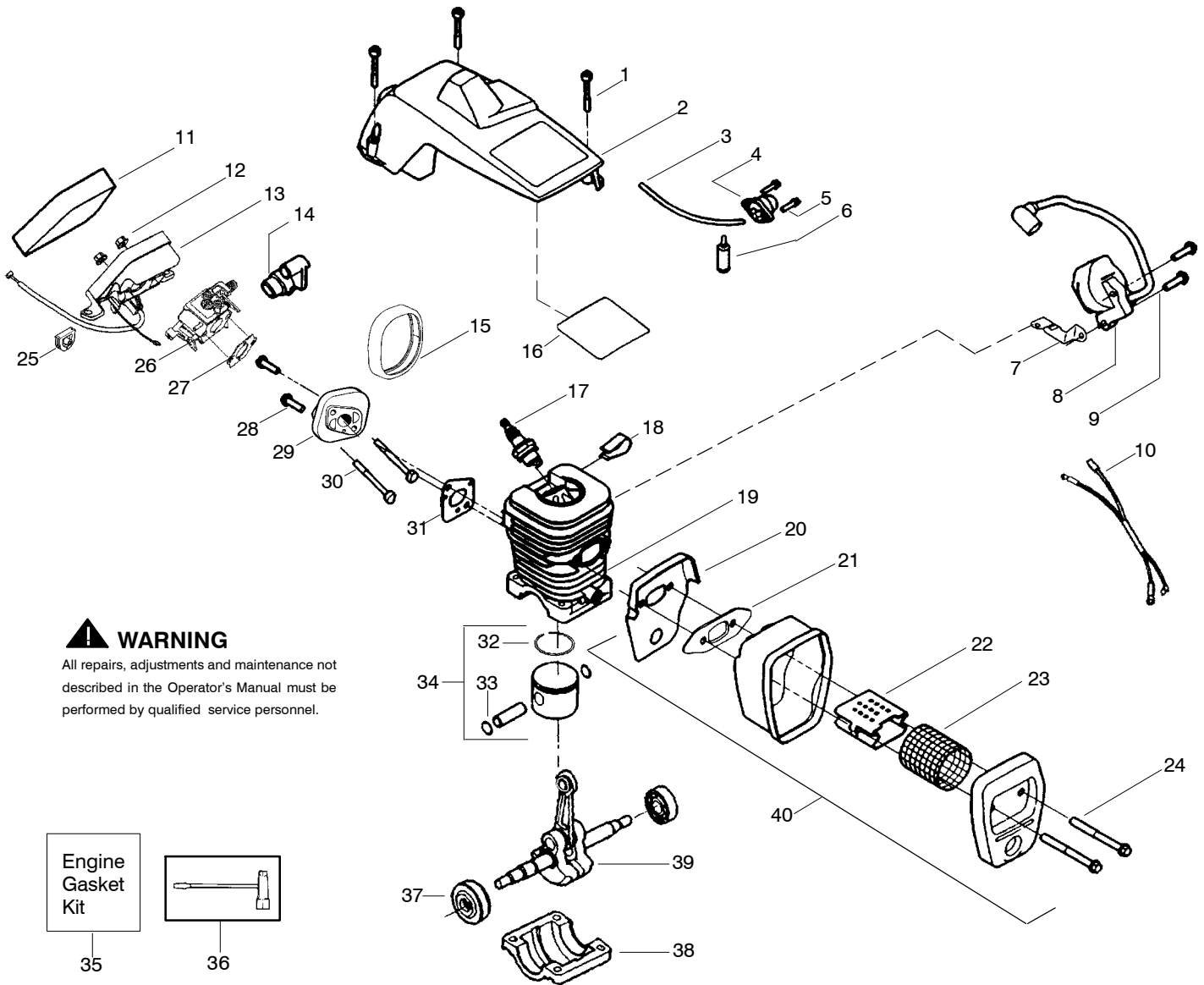


| Ref. | Part No.  | Description          | Ref. | Part No.  | Description                         | Ref. | Part No.  | Description                       |
|------|-----------|----------------------|------|-----------|-------------------------------------|------|-----------|-----------------------------------|
| 1.   | 530059667 | Assy.- Isolator      | 28.  | 530056402 | Handle-Starter                      | 55.  | 530047061 | Assy.-Clutch Drum w/bearing       |
| 2.   | 530047608 | Limiter Strap        | 29.  | 530027531 | Spring-Recoil                       | 56.  | 530015611 | Washer-Clutch                     |
| 3.   | 530059668 | Spring-Isolator      | 30.  | 530015920 | Screw                               | 57.  | 530014949 | Assy. Clutch                      |
| 4.   | 530015158 | Washer               | 31.  | 530015127 | Washer-Flywheel                     | 58.  | 530071259 | Kit - Oil Pump (incl. 59,60,62)   |
| 5.   | 530016018 | Screw                | 32.  | 530039187 | Assy-Flywheel                       | 59.  | 530037820 | Gear-Worm Spring                  |
| 6.   | 530015843 | Screw                | 33.  | 530047192 | Assy-Fuel Cap w/ret.                | 60.  | 530049477 | Elbow-Oil Pickup                  |
| 7.   | 530047583 | Front Handle         | 34.  | 530023877 | Fitting-fuel line                   | 61.  | 530016064 | Screw                             |
| 8.   | 530015940 | Screw                | 35.  | 530069216 | Kit-Fuel line (large)               | 62.  | 530019206 | Seal Block                        |
| 9.   | 530015814 | Screw                | 36.  | 530016149 | Spring-Switch                       | 63.  | 530047663 | Assy-Oil Pick-up (Incl. 64,65)    |
| 10.  | 530044896 | Bar - 14"            | 37.  | 530015775 | Screw                               | 64.  | 530038373 | Pick-up Oiler                     |
|      | 530044915 | Bar - 16"            | 38.  | 530047581 | Cover-Rear Handle                   | 65.  | 530056533 | Filter-Oil                        |
| 11.  | 538029933 | Chain - 14"          | 39.  | 530015886 | Screw                               | 66.  | 545139901 | Assy.-Chain Brake                 |
|      | 538248288 | Chain - 16"          | 40.  | 530015906 | Screw                               | 67.  | 530015917 | Nut-Bar Mounting                  |
| 12.  | 530014381 | Kit-Spike (Incl. 13) | 41.  | 530036098 | Throttle Lockout                    | 68.  | 530015826 | Pin-Bar Adjust                    |
| 13.  | 530016439 | Screw                | 42.  | 530036097 | Trigger-Throttle                    | 69.  | 530038593 | Retainer                          |
| 14.  | 530016132 | Screw                | 43.  | 530047582 | Handle - Rear                       | 70.  | 530069611 | Kit-Bar Adjusting (incl. # 68,69) |
| 15.  | 530038238 | Plate-Bar Mount.     | 44.  | ★★★★★     | Screw                               |      |           |                                   |
| 16.  | 530015814 | Screw                | 45.  | ★★★★★     | Assy Isolator-lower                 |      |           |                                   |
| 17.  | 530029850 | Chain Catcher        | 46.  | 530071958 | Kit-Isolator (Upper)                |      |           |                                   |
| 18.  | 530016133 | Bolt-Bar             | 47.  | 530015875 | Screw                               |      |           |                                   |
| 19.  | 530057236 | Assy-Oil Cap w/ret.  | 48.  | 530059668 | Spring-Isolator                     |      |           |                                   |
| 20.  | 530071666 | Kit-Oil Vent         | 49.  | 530057473 | Lever-Switch                        |      |           |                                   |
| 21.  | 530016134 | Nut-Flywheel         | 50.  | 530057474 | Lever-Choke                         |      |           |                                   |
| 22.  | 530016080 | Screw                | 51.  | 530049005 | Grommet-Knob                        |      |           |                                   |
| 23.  | 530037817 | Starter Pulley       | 52.  | 530015922 | Nut-"U"-Type                        |      |           |                                   |
| 24.  | 530055723 | Baffle-Air           | 53.  | 530058733 | Assy.-Chassis fuel lines and caps ) |      |           |                                   |
| 25.  | 530015892 | Screw                |      |           | Washer-Thrust                       |      |           |                                   |
| 26.  | 530056333 | Housing-Fan          | 54.  | 530015907 |                                     |      |           |                                   |
| 27.  | 530069232 | Kit - Rope           |      |           |                                     |      |           |                                   |

✓ = NEW PART NUMBER FOR THIS IPL

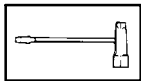
★ = REFER TO THE SERVICE REFERENCE INDICATED FOR MORE INFORMATION. (LOCATED AT END OF IPL)



**WARNING**

All repairs, adjustments and maintenance not described in the Operator's Manual must be performed by qualified service personnel.

Engine Gasket Kit



35

36

| Ref. | Part No.  | Description                            | Ref. | Part No.    | Description                             | Ref. | Part No.  | Description                    |
|------|-----------|--|------|-------------|---|------|-----------|--------------------------------|
| 1.   | 530016153 | Screw                                  | 19.  | 530012550   | Cylinder                                | 36.  | 530031135 | Scrench                        |
| 2.   | 530056914 | Assy - Cylinder Shield (includes # 16) | 20.  | 530049870   | Backplate - Muffler                     | 37.  | 530056363 | Assy - Seal & Bearing          |
| 3.   | 530069247 | Kit - Fuel Line (Small)                | 21.  | 530069608   | Gasket - Muffler (kit)                  | 38.  | 530037935 | Cap - Crankcase                |
| 4.   | 530071835 | Kit - Air Purge (Incl. #5)             | 22.  | 530037813   | Diffuser - Muffler                      | 39.  | 530047062 | Assy - Crankshaft              |
| 5.   | 530015780 | Screw                                  | 23.  | 530036103   | Screen - Spark                          | 40.  | 530047207 | Assy - Muffler (Incl. 20 - 24) |
| 6.   | 530095646 | Assy - Fuel Pick-up                    | 24.  | 530016132   | Bolt - Muffler                          |      |           | Not Shown                      |
| 7.   | 530047442 | Strap - Ground                         | 25.  | 530047631   | Grommet - Throttle Cable                |      |           |                                |
| 8.   | 530039198 | Ignition Module                        | 26.  | ---         | Kit - Carburetor                        |      |           |                                |
| 9.   | 530015814 | Screw                                  |      | ✓ 545081885 | Walbro (WT - 891) (Incl. Grommet)       |      |           | Manuals                        |
| 10.  | 530057475 | Assy - Wire Harness                    | 27.  | 530069608   | Gasket - Carb. (kit)                    |      | 545123690 | (Scan)                         |
| 11.  | 530037793 | Foam - Air Filter                      | 28.  | 530016386   | Screw                                   |      | 545123691 | (Euro I)                       |
| 12.  | 530016101 | Nut                                    | 29.  | 530049700   | Nut                                     |      | 545123692 | (Euro II)                      |
| 13.  | 530057702 | Assy - Air Box                         | 30.  | 530016187   | Screw                                   |      | 545123693 | (Euro III)                     |
| 14.  | 530035526 | Grommet - Carb Adjust                  | 31.  | 530069608   | Gasket - Adaptor (kit)                  |      | 545123694 | (Euro IV)                      |
| 15.  | 530054144 | Seal - Carb Adapter                    | 32.  | 530038729   | Ring - Piston                           |      | 545123695 | (Euro V)                       |
| 16.  | 530055698 | Reflector - Heat                       | 33.  | 530015697   | Retainer - Piston Pin                   |      | 545123696 | (Turkish)                      |
| 17.  | 952030150 | Spark Plug (RCJ - 7Y)                  | 34.  | 530071408   | Kit - Piston (Incl. 32 & 33)            |      | 545123697 | (Russian)                      |
| 18.  | 530016136 | Clip - High Tension Lead               | 35.  | 530069608   | Kit - Engine Gasket (Incl. 21, 27 & 31) |      | 545003015 | Decal - Warning                |

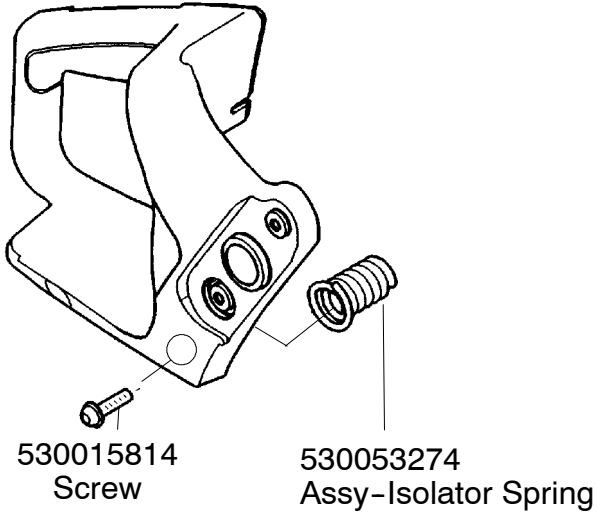
✓ = NEW PART NUMBER FOR THIS IPL

★ = REFER TO THE SERVICE REFERENCE INDICATED FOR MORE INFORMATION. (LOCATED AT END OF IPL)

|                                    |                                 |  |  |
|------------------------------------|---------------------------------|--|--|
| PARTS LIST NO.<br><b>530165091</b> |                                 |  <b>McCULLOCH.® PARTS LIST</b> | CHAIN SAW MODEL(S)<br><b>MAC CAT 438</b>                                     |
| DATE<br><b>3/04/08</b>             | Replaces<br>530165091 - 3/07/07 |  | <b>Note:</b> Illustration may differ from actual model due to design changes |

★★★★★ **Service Reference** ★★★★★

Note: Due to product improvements, your unit may have been built with or without the spring and screw shown below. If your unit does not have this spring and screw, no action is required. If your unit does have the spring and screw, please order the part numbers listed below.



✓ = NEW PART NUMBER FOR THIS IPL

★ = REFER TO THE SERVICE REFERENCE INDICATED FOR MORE INFORMATION. (LOCATED AT END OF IPL)