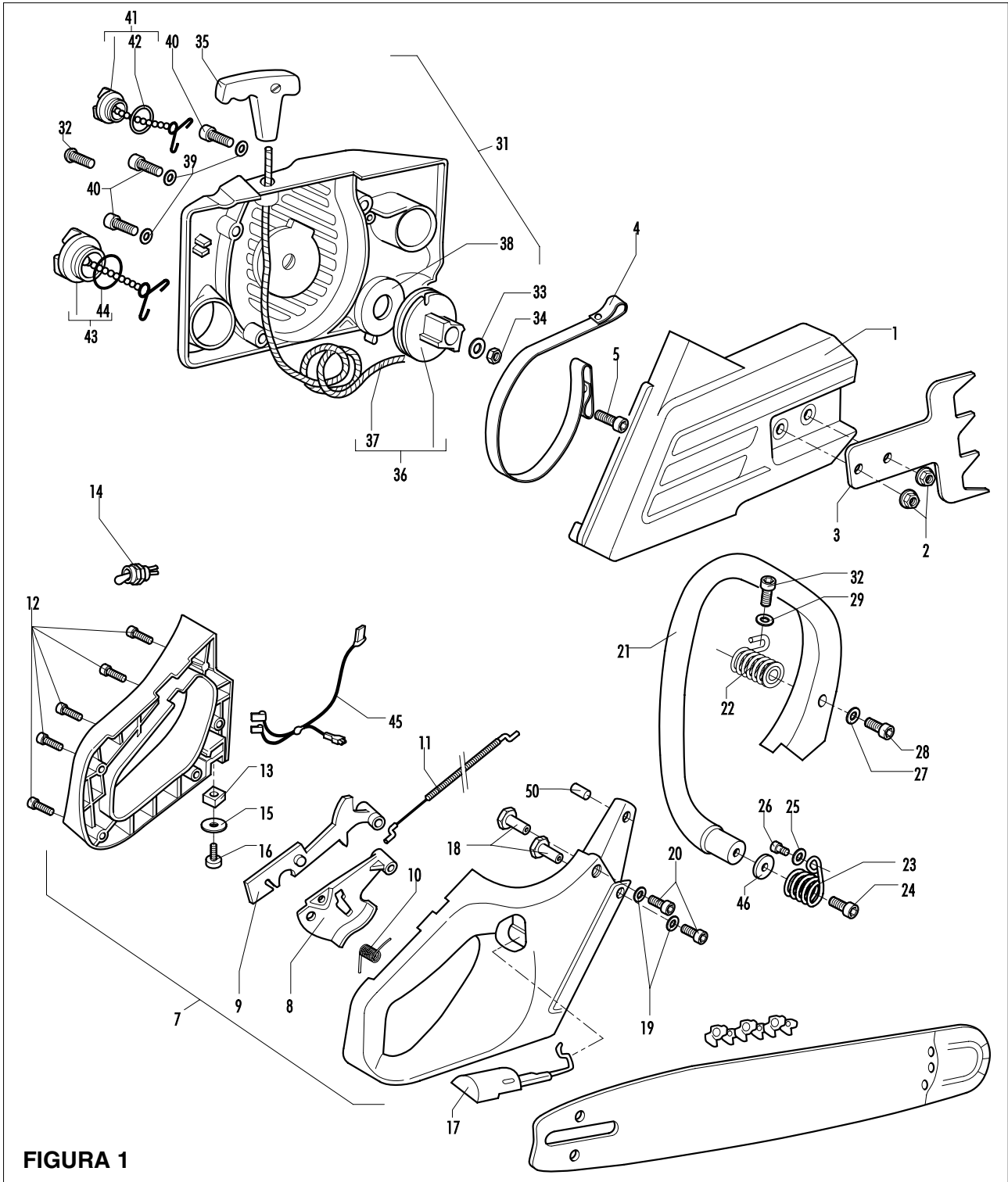


brand	MC CULLOCH
-------	------------

date	JAN/03	SHEET 1/6
------	--------	-----------

Model	Prefix
MAC 538E 18"	01

Product number
953900221



**FIGURA 1**

brand	MC CULLOCH
-------	------------

date	JAN/03	SHEET 2/6
------	--------	-----------

Model	Prefix
MAC 538E 18"	01

Product number
953900221

FIGURA 1

pos	P/N McC	P/N ELX	Qty	DESCRIPTION	pos	P/N McC	P/N ELX	Qty	DESCRIPTION
C 1	248438	538248438	1	KIT CLUTCH COVER	B 38	235040	538235040	1	SPRING
A 2	242501	538242501	2	M6 / CH13	39	235248	538235248	3	WASHER M5
C 3	241993	538241993	1	SPIKE	40	236997	538236997	3	M5X30 SCREW
B 4	235073	538235073	1	BAND BRAKE	B 41	240866	538240866	1	OIL CAP ASSY
5	235812	538235812	1	SPECIAL BRAKE SCREW	C 42	235511	538235511	1	O-RING OIL CAP
C 7	240339	538240339	1	REAR HANDLE ASSY	B 43	240865	538240865	1	FUEL CAP ASSY
C 8	240301	538240301	1	GAS LEVER	C 44	235510	538235510	1	O-RING MIX CAP
C 9	240302	538240302	1	SAFETY TRIGGER	C 45	240370	538240370	1	CABLE ASSY
10	240303	538240303	1	GAS LEVER SPRING	46	236934	538236934	1	WASHER
C 11	240367	538240367	1	WIRE ASSY	50	240323	538240323	1	SPACER
12	240862	538240862	5	SCREW 4X18					
13	229524	538229524	1	NUT M5					
C 14	240859	538240859	1	SWITCH ON_OFF					
15	227259	538227259	1	WASHER					
16	240845	538240845	1	SCREW					
C 17	247259	538247259	1	ROD CHOK ASSY					
18	240315	538240315	2	NUT					
19	235248	538235248	2	WASHER M5					
20	235802	538235802	2	SCREW M5 X 14 TCE					
21	240281	538240281	1	FRONT HANDLE					
B 22	241231	538241231	1	UPPER AV SPRING ASSY					
B 22	240289	538240289	1	SPRING					
B 23	240285	538240285	1	SPRING					
24	240354	538240354	1	SCREW 6X30					
25	235248	538235248	1	WASHER M5					
26	235802	538235802	1	SCREW M5 X 14 TCE					
27	235248	538235248	1	WASHER M5					
28	235803	538235803	1	SCREW M5 X 25 TCE					
29	227259	538227259	1	WASHER					
30	235802	538235802	1	SCREW M5 X 14 TCE					
C 31	241854	538241854	1	STARTER ASSY					
32	240316	538240316	1	SCREW M5X35					
33	240921	538240921	1	WASHER					
34	229208	538229208	1	NUT M5					
35	240884	538240884	1	STARTER-HANDLE					
B 36	235372	538235372	1	DRUM AND ROPE					
A 37	235042	538235042	1	ROPE					

A= ALTA ROTAZIONE  
 B=MEDIA ROTAZIONE  
 C=BASSA ROTAZIONE

A=HIGH MOVING  
 B=MEDIUM MOVING  
 C=SLOW MOVING

A=HAUTE DEMANDE  
 B=MOYENNE DEMANDE  
 C=BASSE DEMANDE

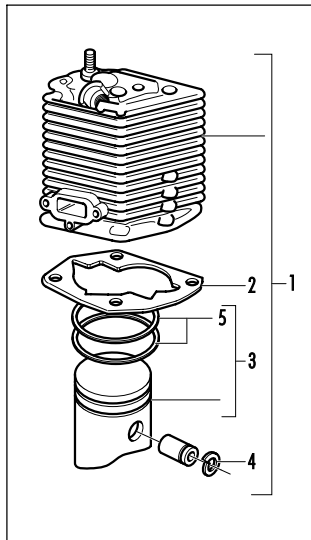
A=GROBE NACHFRAGE  
 B=MITTELMAEBIGE  
 C=WENIGE NACHFRAGE

brand	<b>MC CULLOCH</b>
-------	-------------------

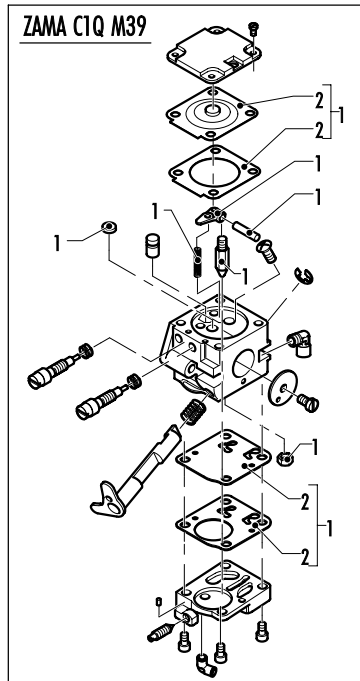
date	JAN/03	SHEET 3/6
------	--------	-----------

Model	Prefix
<b>MAC 538E 18"</b>	01

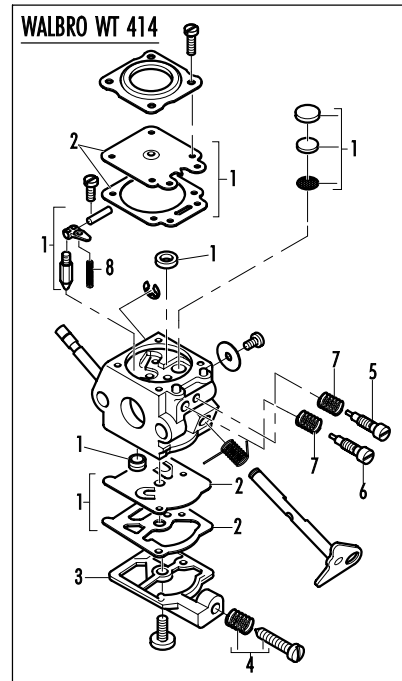
Product number
<b>953900221</b>



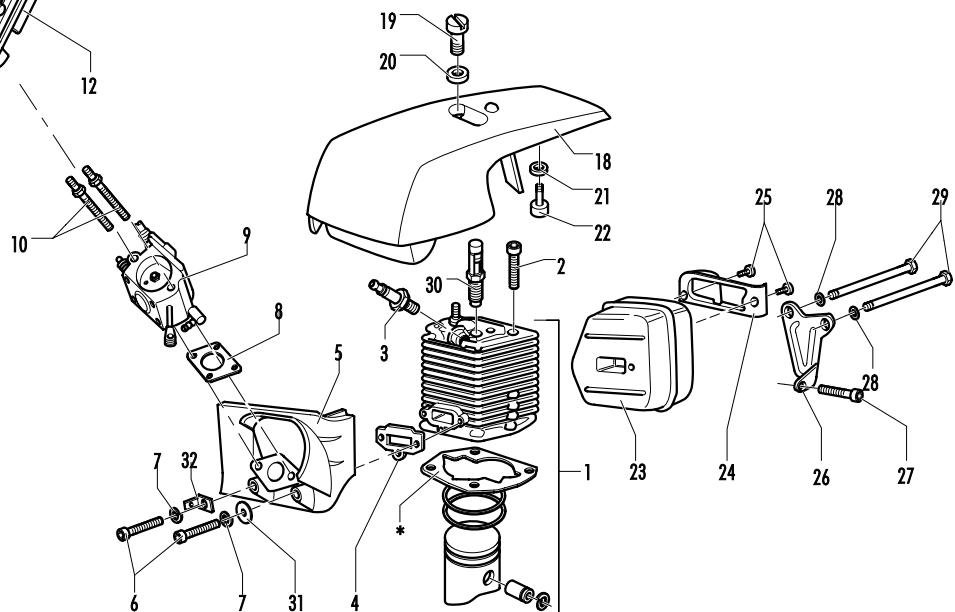
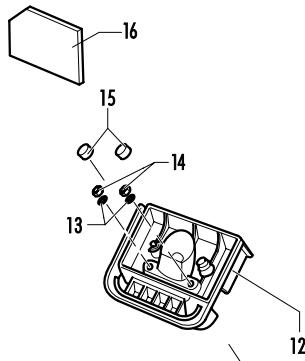
**FIGURE 3**



**FIGURE 4**



**FIGURE 4**



**FIGURA 2**

brand	<b>MC CULLOCH</b>
-------	-------------------

date	JAN/03	SHEET 4/6
------	--------	-----------

Model	Prefix
<b>MAC 538E 18"</b>	<b>01</b>

Product number
<b>953900221</b>

**FIGURA 2**

	pos	P/N McC	P/N ELX	Qty	DESCRIPTION
C	1	<b>FIGURA 3</b>			
	2	<b>227565</b>	<b>538227565</b>	4	SCREW M6X25
A	3	<b>92879</b>	<b>538092879</b>	1	SPARK PLUG RDJ8J
B	4	<b>240345</b>	<b>538240345</b>	1	GASKET
	5	<b>240271</b>	<b>538240271</b>	1	CARBURETOR SPACER
	6	<b>236997</b>	<b>538236997</b>	2	M5X30 SCREW
	7	<b>236529</b>	<b>538236529</b>	2	SPLIT WASHER
A	8	<b>227692</b>	<b>538227692</b>	1	GASKET
C	9	<b>FIGURA 4</b>			
	10	<b>240328</b>	<b>538240328</b>	2	BAR BOLT
	12	<b>240262</b>	<b>538240262</b>	1	AIR FILTER BOX
	13	<b>235248</b>	<b>538235248</b>	2	WASHER M5
	14	<b>235216</b>	<b>538235216</b>	2	NUT M5
	15	<b>241239</b>	<b>538241239</b>	2	RUBBER CAP
B	16	<b>241238</b>	<b>538241238</b>	1	AIR FILTER
	18	<b>242669</b>	<b>538242669</b>	1	ENGINE COVER ASSY
	19	● <b>240320</b>	<b>538240320</b>	1	SCREW
	20	● <b>240321</b>	<b>538240321</b>	1	WASHER
	21	● <b>236936</b>	<b>538236936</b>	1	WASHER
	22	● <b>240272</b>	<b>538240272</b>	1	FAN BAFFLE
	23	<b>240291</b>	<b>538240291</b>	1	MUFFLER
	24	● <b>240297</b>	<b>538240297</b>	1	PROMAC MUFFLER BAFFLE
	25	● <b>236981</b>	<b>538236981</b>	2	T5 SCREW
	26	<b>240299</b>	<b>538240299</b>	1	SUPPORT MUFFLER
	27	<b>236997</b>	<b>538236997</b>	1	M5X30 SCREW
	28	<b>227626</b>	<b>538227626</b>	2	WASHER D-5
	29	<b>227567</b>	<b>538227567</b>	2	SCREW M5X70
	30	<b>94273</b>	<b>538094273</b>	1	VALVE COMPRELEASE
	31	<b>235248</b>	<b>538235248</b>	1	WASHER M5
	32	<b>228139</b>	<b>538228139</b>	1	CONTACT WIRE

**FIGURA 3**

	pos	P/N McC	P/N ELX	Qty	DESCRIPTION
C	1	<b>247253</b>	<b>538247253</b>	1	CYLINDER KIT
B	2	● <b>240343</b>	<b>538240343</b>	1	GASKET
C	3	● <b>247256</b>	<b>538247256</b>	1	PISTON KIT
	4	●● <b>235008</b>	<b>538235008</b>	2	RING SNAP INT.
B	5	●● <b>240005</b>	<b>538240005</b>	2	PISTON RING (1PC)

**FIGURA 4**

WALBRO WT 414					
	pos	P/N McC	P/N ELX	Qty	DESCRIPTION
C	-	<b>240350</b>	<b>538240350</b>	1	CARBURATOR WT 414
B	1	● <b>247260</b>	<b>538247260</b>	1	MAIN KIT CARB.K20 WAT
A	2	●● <b>229191</b>	<b>538229191</b>	1	GASKET-DIAPH.W
	3	● <b>247261</b>	<b>538247261</b>	1	PUMP COVER
	4	● <b>237481</b>	<b>538237481</b>	1	IDLE SCREW KIT
	5	● <b>247388</b>	<b>538247388</b>	1	HI SCREW CARB.WT 414
	6	● <b>246540</b>	<b>538246540</b>	1	HIGH SPEED NEEDLE
	7	● <b>229601</b>	<b>538229601</b>	2	NEEDLES SPRING
C	8	● <b>247387</b>	<b>538247387</b>	1	98-3249 SPRING

**ZAMA C1Q M39**

	pos	P/N McC	P/N ELX	Qty	DESCRIPTION
C	-	<b>242062</b>	<b>538242062</b>	1	CARB.ZAMA C1Q M39
B	1	● <b>226226</b>	<b>538226226</b>	1	KIT REPAIR CARB.C1Q
A	2	●● <b>226227</b>	<b>538226227</b>	1	KIT GASKET+DIAPH C1Q

A= ALTA ROTAZIONE  
B=MEDIA ROTAZIONE  
C=BASSA ROTAZIONE

A=HIGH MOVING  
B=MEDIUM MOVING  
C=SLOW MOVING

A=HAUTE DEMANDE  
B=MOYENNE DEMANDE  
C=BASSE DEMANDE

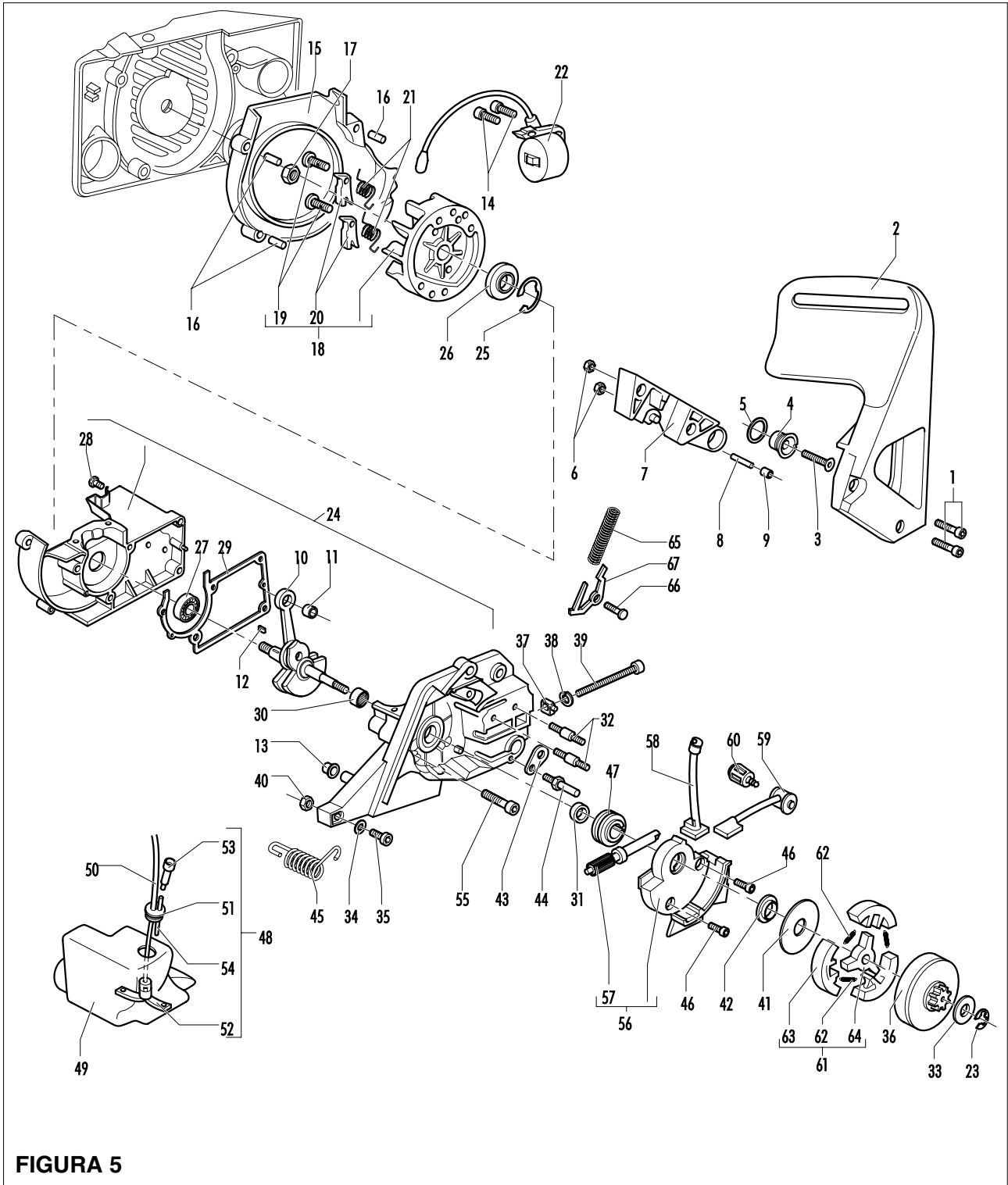
A=GROBE NACHFRAGE  
B=MITTELMAEBIGE  
C=WENIGE NACHFRAGE

brand	<b>MC CULLOCH</b>
-------	-------------------

date	JAN/03	SHEET 5/6
------	--------	-----------

Model	Prefix
<b>MAC 538E 18"</b>	01

Product number
<b>953900221</b>



**FIGURA 5**

brand	<b>MC CULLOCH</b>
-------	-------------------

date	JAN/03	SHEET 6/6
------	--------	-----------

Model	Prefix
<b>MAC 538E 18"</b>	<b>01</b>

Product number
<b>953900221</b>

**FIGURA 5**

pos	P/N McC	P/N ELX	Qty	DESCRIPTION	pos	P/N McC	P/N ELX	Qty	DESCRIPTION
1	235806	538235806	2	SCREW M5 X 20 TCE	B 36	240260	538240260	1	DRUM SPROCKET 3/8
C 2	241907	538241907	1	BRAKE LEVER					
3	241905	538241905	1	SCREW M6X25	B 37	241908	538241908	1	NUT BAR ADJUSTEMENT
4	241904	538241904	1	SLEEVE	B 38	235367	538235367	1	BENZING 4MM
5	241906	538241906	1	PLAN WASHER D.10X15X1	B 39	241909	538241909	1	SCREW
6	235642	538235642	2	NUT M5	40	235642	538235642	1	NUT M5
7	241902	538241902	1	BRAKE HOUSING	41	241346	538241346	1	WASHER
8	242017	538242017	1	BAND PIVOT	42	242006	538242006	1	CLUTCH SPACER
9	241903	538241903	1	BRAKE NEEDLE	43	240309	538240309	1	PLATE OIL CAP
10	241871	538241871	1	CRANKSHAFT ASSY	C 44	240363	538240363	1	CHAIN BRAKE
C 11	● 235742	538235742	1	NEEDLE BEARING 0 9X14X12 MM	B 45	240286	538240286	1	SPRING
C 11	227329	538227329	1	BEARING NEEDLE	46	235802	538235802	2	SCREW M5 X 14 TCE
12	227631	538227631	1	KEY	C 47	241882	538241882	1	OIL PUMP SCREW
13	235672	538235672	1	RUBBER SUPPORT TANK	48	240920	538240920	1	FUEL TANK ASSY
14	235806	538235806	2	SCREW M5 X 20 TCE	49	● 240300	538240300	1	FUEL TANK
15	247290	538247290	1	AIR CONVEYOR	B 50	● 240868	538240868	1	HOSE FUEL
16	● 240358	538240358	3	SPACER	C 51	● 235675	538235675	1	FUELTANK GROMMET
17	235218	538235218	1	NUT M8	A 52	● 240452	538240452	1	PICK UP FUEL
18	241204	538241204	1	FLYWHEEL KEY=2 S7	C 53	● 227582	538227582	1	VENT FILTER
B 19	● 235516	538235516	2	STARTER PIN PAWL	54	● 229716	538229716	1	BREATHER PIPE OIL TANK
B 20	● 235517	538235517	2	STARTER PAWL	55	236997	538236997	4	M5X30 SCREW
B 21	● 235518	538235518	2	STARTER SPRING	B 56	241883	538241883	1	OIL PUMP ASSY
C 22	241291	538241291	1	IGNITION COIL ASSY-S5	C 57	● 241885	538241885	1	OIL PUMP PISTON KIT (S5E)
23	229137	538229137	1	BENZING 8MM	58	● 241895	538241895	1	PIPE JOINT
24	248497	538248497	1	L CRANKCASE KIT	59	● 241896	538241896	1	TUBE OIL PUMP
25	● 235899	538235899	1	SEEGER RING	C 60	225063	538225063	1	BUMPER CUT CONTROL
C 26	● 241879	538241879	1	SEAL 15X32X4/5	61	242004	538242004	1	CLUTCH KIT
27	● 235900	538235900	1	BALL BEARING 6002 15/32/9	B 62	● 240926	538240926	3	SPRING
28	● 241077	538241077	1	SELF-THREAD. SCREW 4X14	63	● 227359	538227359	3	SHOE-CLUTCH
29	● 240312	538240312	1	GASKET	64	● 242005	538242005	1	ROTOR CLUCTCH
30	● 241253	538241253	1	NEEDLE BEARING 15X21X12	65	235076	538235076	1	BRAKE SPRING
C 31	● 228872	538228872	1	SEAL 13-32-5 (S7)	66	● 235075	538235075	1	LATCH PIVOT
B 32	● 241880	538241880	2	BAR BOLT	67	● 94006	538094006	1	BRAKE LATCH
33	235287	538235287	1	CLUTCH WASHER					
34	227259	538227259	1	WASHER					
35	235806	538235806	1	SCREW M5 X 20 TCE					

A= ALTA ROTAZIONE  
 B=MEDIA ROTAZIONE  
 C=BASSA ROTAZIONE

A=HIGH MOVING  
 B=MEDIUM MOVING  
 C=SLOW MOVING

A=HAUTE DEMANDE  
 B=MOYENNE DEMANDE  
 C=BASSE DEMANDE

A=GROBE NACHFRAGE  
 B=MITTELMAEBIGE  
 C=WENIGE NACHFRAGE