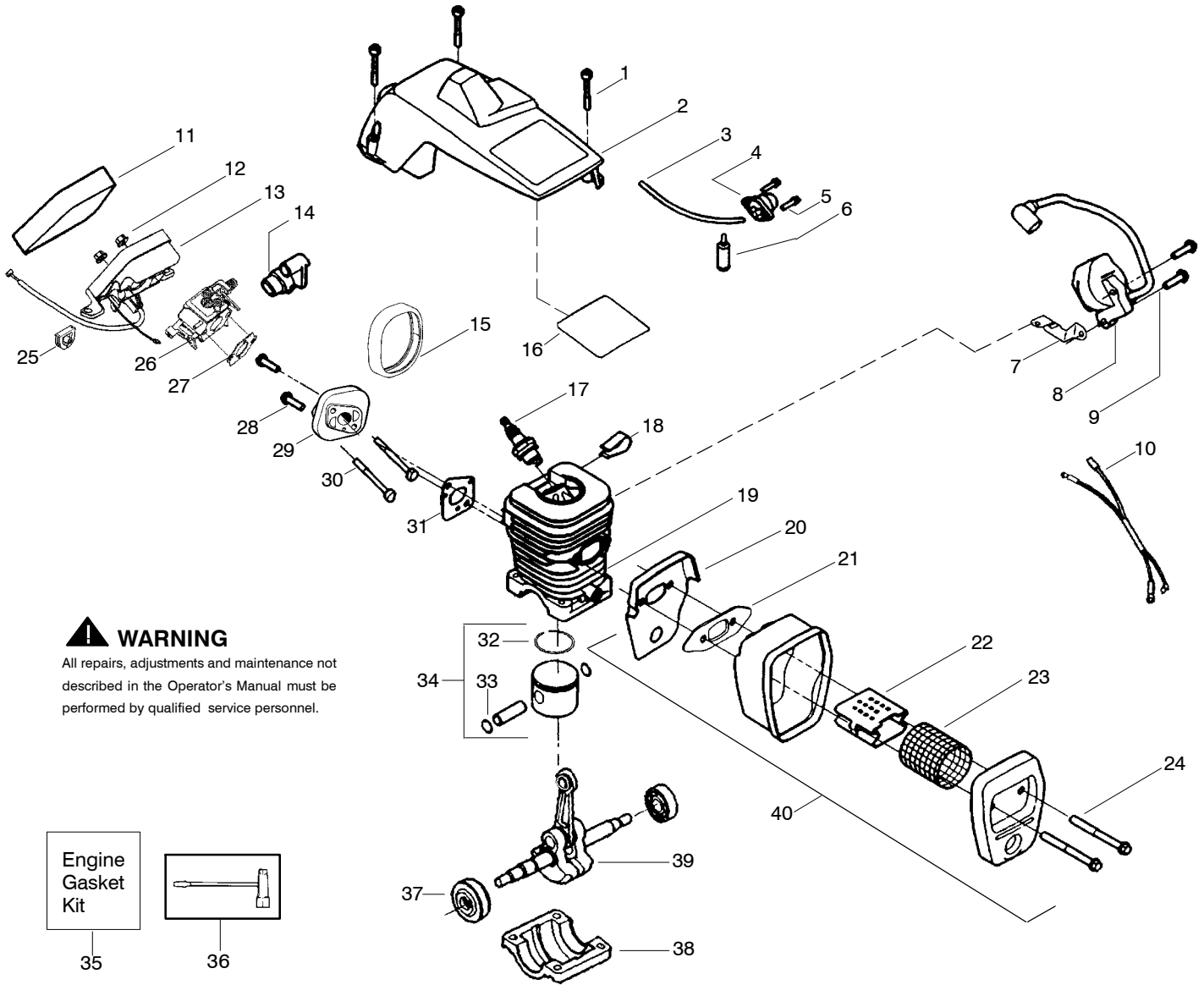


⚠ WARNING
All repairs, adjustments and maintenance not described in the Operator's Manual must be performed by qualified service personnel.

| Ref. | Part No. | Description | Ref. | Part No. | Description | Ref. | Part No. | Description |
|------|-----------|----------------------|------|-----------|--|------|-----------|--------------------------------------|
| 1. | 530059667 | Assy.- Isolator | 28. | 530027531 | Spring-Recoil | 54. | 530014949 | Assy. Clutch |
| 2. | 530047608 | Limiter Strap | 29. | 530015920 | Screw | 55. | 530071259 | Kit - Oil Pump (incl. 56,57,59) |
| 3. | 530059668 | Spring-Isolator | 30. | 530015127 | Washer-Flywheel | 56. | 530037820 | Gear-Worm Spring |
| 4. | 530015158 | Washer | 31. | 530047534 | Assy-Flywheel | 57. | 530049477 | Elbow-Oil Pickup |
| 5. | 530016018 | Screw | 32. | 530047192 | Assy-Fuel Cap w/ret. | 58. | 530016064 | Screw |
| 6. | 530015843 | Screw | 33. | 530023877 | Fitting-fuel line | 59. | 530019206 | Seal Block |
| 7. | 545048001 | Front Handle | 34. | 530069216 | Kit-Fuel line (large) | 60. | 530047663 | Assy-Oil Pick-up (Incl. 61,62) |
| 8. | 530015940 | Screw | 35. | 530016149 | Spring-Switch | 61. | 530038373 | Pick-up Oiler |
| 9. | 530015814 | Screw | 36. | 530015775 | Screw | 62. | 530056533 | Filter-Oil |
| 10. | 530044915 | Bar - 16" | 37. | 530047581 | Cover-Rear Handle | 63. | 545139901 | Assy.-Chain Brake |
| 11. | 538248288 | Chain - 16" | 38. | 530015886 | Screw | 64. | 530015917 | Nut-Bar Mounting |
| 12. | 530014381 | Kit-Spike (Incl. 13) | 39. | 530015906 | Screw | 65. | 530015826 | Pin-Bar Adjust |
| 13. | 530016439 | Screw | 40. | 530036098 | Throttle Lockout | 66. | 530038593 | Retainer |
| 14. | 530016132 | Screw | 41. | 530036097 | Trigger-Throttle | 67. | 530069611 | Kit-Bar Adjusting (incl. # 65,66) |
| 15. | 530038238 | Plate-Bar Mount. | 42. | 545025001 | Handle - Rear | | | |
| 16. | 530015814 | Screw | 43. | 530071958 | Kit-Isolator (Upper) | | | |
| 17. | 530029850 | Chain Catcher | 44. | 530015875 | Screw | | | |
| 18. | 530016133 | Bolt-Bar | 45. | 530059668 | Spring-Isolator | | | |
| 19. | 530057236 | Assy-Oil Cap w/ret. | 46. | 530057473 | Lever-Switch | | | |
| 20. | 530071666 | Kit-Oil Vent | 47. | 530057474 | Lever-Choke | | | |
| 21. | 530016134 | Nut-Flywheel | 48. | 530049005 | Grommet-Knob | | | |
| 22. | 530016080 | Screw | 49. | 530015922 | Nut-"U"-Type | | | |
| 23. | 530037817 | Starter Pulley | 50. | 530058730 | Assy-Chassis (fuel lines and caps) | | | |
| 24. | 530015892 | Screw | 51. | 530015907 | Washer-Thrust | | | |
| 25. | 530049335 | Housing-Fan | 52. | 530047061 | Assy.-Clutch Drum w/bearing | | | |
| 26. | 530069232 | Kit - Rope | 53. | 530015611 | Washer-Clutch | | | |
| 27. | 530056402 | Handle-Starter | | | | | | |

✓ = NEW PART NUMBER FOR THIS IPL

★ = REFER TO THE SERVICE REFERENCE INDICATED FOR MORE INFORMATION. (LOCATED AT END OF IPL)



WARNING

All repairs, adjustments and maintenance not described in the Operator's Manual must be performed by qualified service personnel.

| Ref. | Part No. | Description | Ref. | Part No. | Description | Ref. | Part No. | Description |
|------|-----------|--------------------------------------|------|-----------|---------------------------------|------|-----------|---------------------------------------|
| 1. | 530016153 | Screw | 19. | 530012550 | Cylinder | 35. | 530069608 | Kit-Engine Gasket (Incl. 21, 27 & 31) |
| 2. | 530055638 | Assy-Cylinder Shield (includes # 16) | 20. | 530049870 | Backplate-Muffler | 36. | 530031135 | Bar Wrench |
| 3. | 530069247 | Kit-Fuel Line (Small) | 21. | 530069608 | Gasket-Muffler(kit) | 37. | 530056363 | Assy-Seal & Bearing |
| 4. | 530071835 | Kit-Air Purge (Incl. #5) | 22. | 530037813 | Diffuser-Muffler | 38. | 530037935 | Cap-Crankcase |
| 5. | 530015780 | Screw | 23. | 530036103 | Screen-Spark | 39. | 530047062 | Assy-Crankshaft |
| 6. | 530095646 | Assy-Fuel Pick-up | 24. | 530016132 | Bolt-Muffler | 40. | 530047207 | Assy-Muffler (Incl. 20,21,22,23,24) |
| 7. | 530047442 | Strap-Ground | 25. | 530047631 | Grommet-Throttle Cable | | | |
| 8. | 530039167 | Ignition Module | 26. | --- | Kit-Carburetor | | | |
| 9. | 530015814 | Screw | | 545081885 | Walbro (WT-891) (Incl. Grommet) | | | |
| 10. | 530057475 | Assy-Wire Harness | 27. | 530069608 | Gasket-Carb/Adapter(kit) | | | |
| 11. | 530037793 | Foam-Air Filter | 28. | 530016386 | Screw | | | Not Shown |
| 12. | 530016101 | Nut | 29. | 530049700 | Carb. Adapter | | | |
| 13. | 530057702 | Assy-Air Box | 30. | 530016187 | Screw | | | |
| 14. | 530035526 | Grommet-Carb Adjust | 31. | 530069608 | Gasket- Adaptor(kit) | | | |
| 15. | 530054144 | Seal-Carb Adapter | 32. | 530038729 | Ring-Piston | | 545154164 | Manuals (Euro I) |
| 16. | 530055698 | Reflector-Heat | 33. | 530015697 | Retainer-Piston Pin | | 545154165 | (Euro II) |
| 17. | 952030150 | Spark Plug (RCJ-7Y) | 34. | 530071408 | Kit-Piston (Incl. 32 & 33) | | 545003009 | Decal-Warning (Euro) |
| 18. | 530016136 | Clip-High Tension Lead | | | | | | |

↙ = NEW PART NUMBER FOR THIS IPL

★ = REFER TO THE SERVICE REFERENCE INDICATED FOR MORE INFORMATION. (LOCATED AT END OF IPL)