

# CP 125 CP 125 S

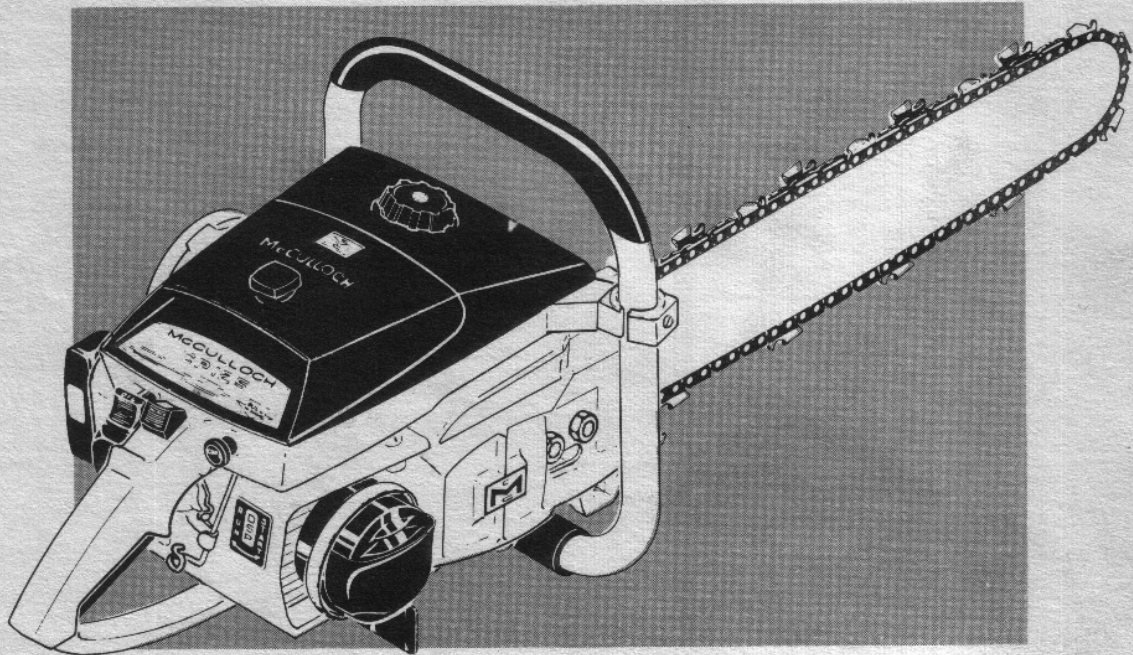
MODEL NO. 600075 SERIAL NOS. PREFIXED 10-

A10-

11-

A11-

## ILLUSTRATED PARTS LIST



**MAY, 1970**

The policy of McCulloch Corporation is one of continual improvement in design, manufacturing and engineering advancement wherever possible to assure still finer two-cycle power tools. Hence, specifications, equipment, colors, design and manufacturer's suggested list prices are subject to change without notice and McCulloch Corporation reserves the right to make such changes without prior notification or obligation to backfit or supply backfit components for units previously shipped from the factory.

	Page
Figure 1. General View - Exploded	2
Figure 2. Clutch Guard & Clutch Assemblies	4
Figure 3. Fan Housing & Starter Assembly	5
Figure 4. Fuel Tank Assembly	6
Figure 5. Carburetor Assembly	8
Figure 6. Oiler Tank & Pump Assemblies	10
Figure 7. C'case Cover & Ignition Assemblies	12
Figure 8. Powerhead & Shroud Assemblies	14



# McCULLOCH

CP 125  
CP 125S

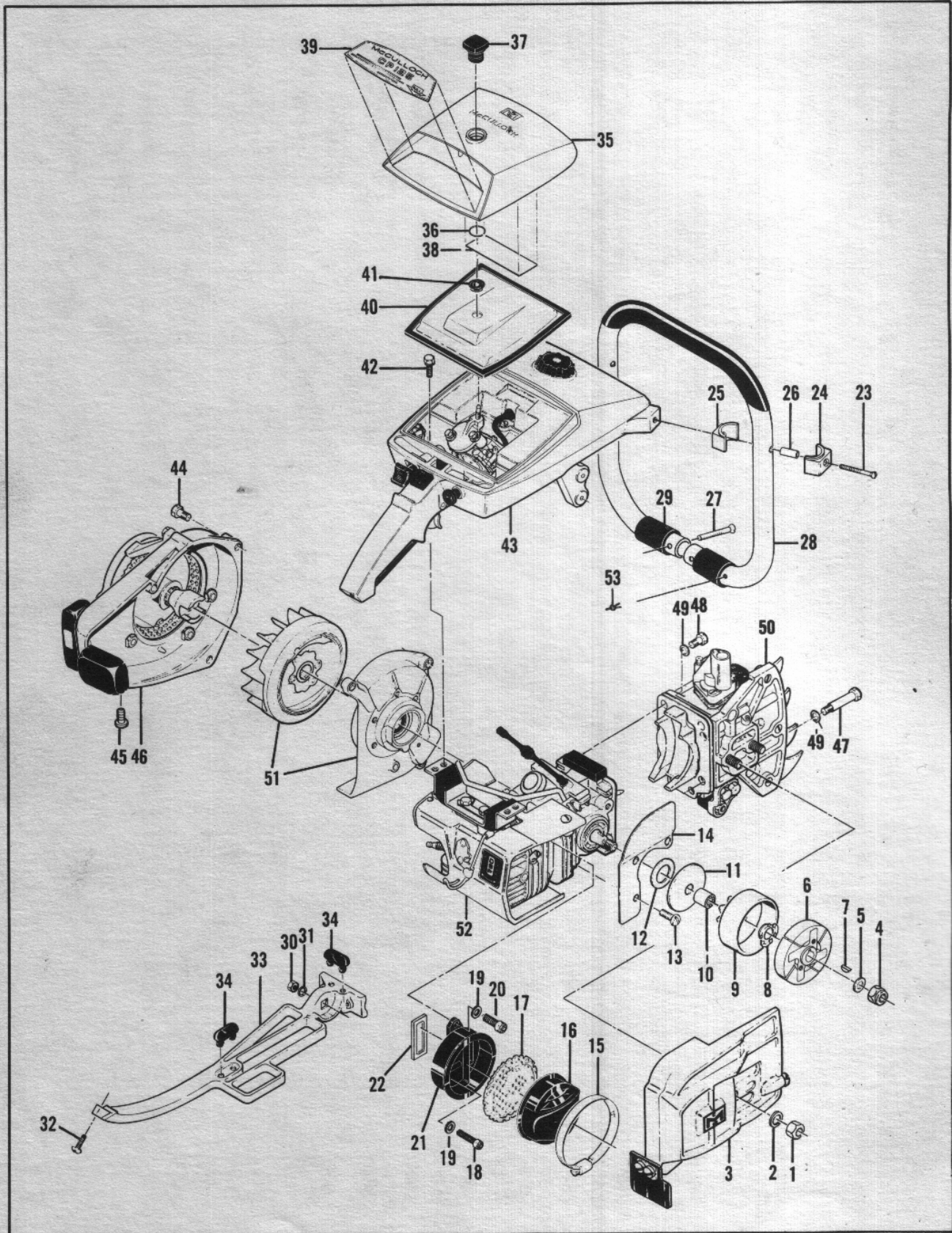


Figure 1. General View - Exploded

**FIGURE 1. GENERAL VIEW - EXPLODED**

Item No.	Part Number	Description	Units Per Assy
1	110625	Nut - Hex 3/8-24	2
2	100006	Washer - 3/8	2
3		Clutch Guard Assy (See Figure 2)	
4	110625	Nut - Hex 3/8-24	1
5	100006	Washer - 3/8	1
6		Clutch Assy (See Figure 2)	
7	103879	Key - Woodruff	1
8	103718	Spring - Thrust	1
9	51775B	Drum and Sprocket Assy	1
10	68866	Bearing - Needle	1
11	51420	Washer - Sprocket shroud	1
12	57785A	Seal - Felt	1
13	104133	Screw - Pan hd 1/4-20 x 5/8 (SEMS)	3
14	69464	Jacket - Cylinder	1
	68240	Kit - Spark arrester	1
15	83368	. Clamp Assy	1
16	68238	. Top Assy	1
17	69325	. Baffle	1
18	101563	. Screw - Skt hd 10-24 x 1-1/4	1
19	83745	. Washer - Special	3
20	104895	. Screw - Skd hd 10-24 x 5/8	2
21	68241	. Bottom Assy	1
22	83379	Gasket - Spark arrester	1
23	110605	Screw - Oval hd 10-24 x 2	2
24	69994	Collar - Frame	2
25	69995	Collar - Frame	2
26	69524	Bushing - Frame	2
27	110606	Screw - Oval hd 10-24 x 1-1/4	2
28	69468	Frame & Grip Assy	1

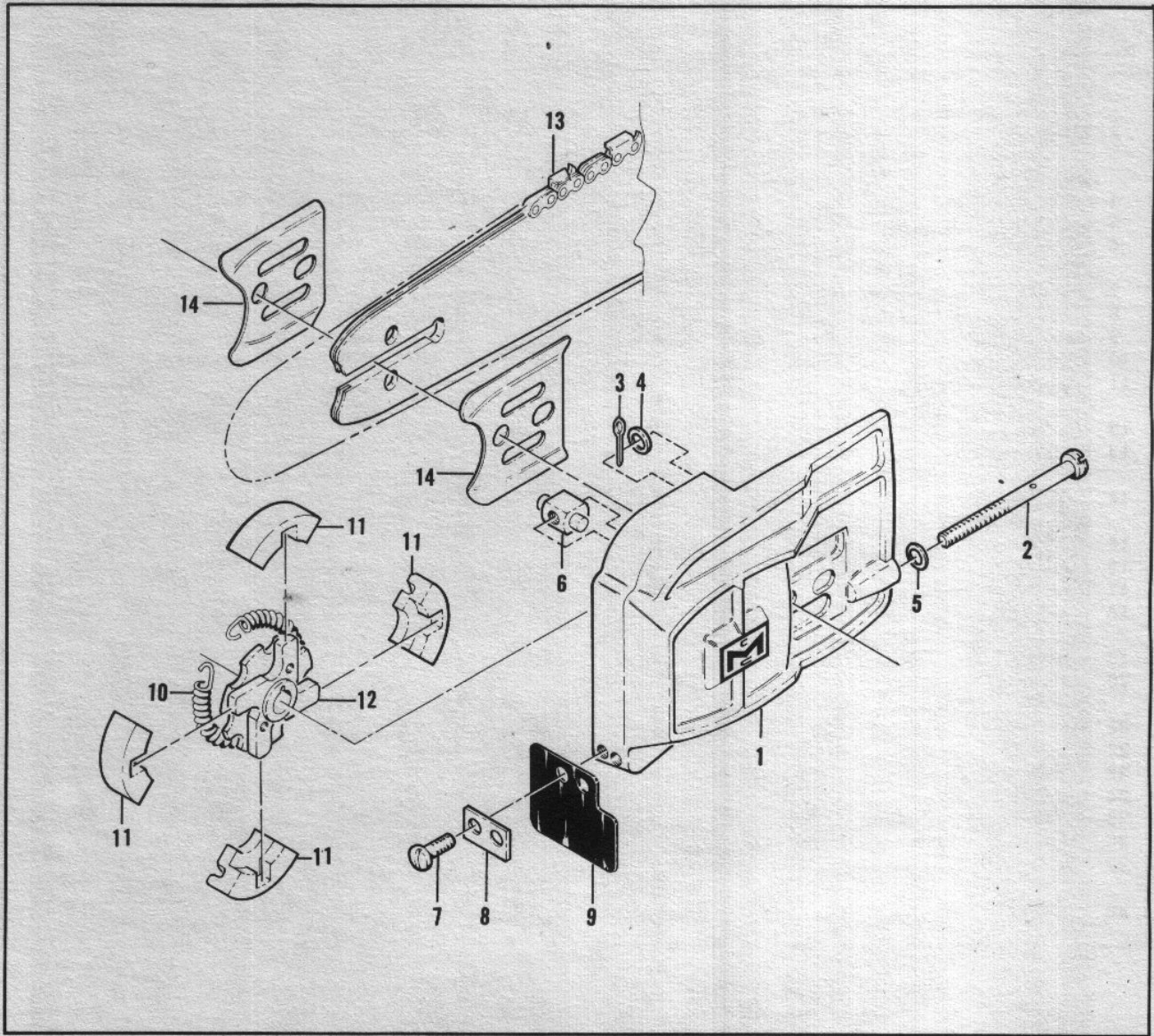
Item No.	Part Number	Description	Units Per Assy
29	69885	Protector - Frame	2
30	100152	Nut - Hex 1/4-20	1
31	71016	Washer - Special	1
32	101986	Screw - Oval hd 10-24 x 1	1
33	69992	Brace - Handle	1
34	69883	Bumper - Brace	2
35	69667	Cover Assy - Air cleaner	1
36	110565	. Ring - Retaining	1
37	68529	. Knob - Cover	1
38	83559	Plate - Instruction	1
39	69521	Nameplate - CP125	1
	84650	Nameplate - CP125S	1
40	69100	Filter - Air	1
41	68528	. Grommet - Air filter	1
42	104950	Screw - Hex hd 10-24 x 5/8 (SEMS)	4
43		Fuel Tank Assy (See Figure 4)	
44	104816	Screw - Hex hd 10-24 x 1-1/4 (SEMS)	3
45	102500	Screw - Pan hd 10-24 x 1/2	1
46		Fan Housing & Starter Assy (See Figure 3)	
47	102127	Screw - Hex hd 1/4-20 x 3-1/4	2
48	103258	Screw - Hex hd 1/4-20 x 1-1/8	2
49	100005	Washer - 1/4	4
50		Oiler Housing Assy (See Figure 6)	
51		Crankcase Cover & Ignition Assys (See Figure 7)	
52		Powerhead & Shroud Assys (See Figure 8)	
53	83556	Rivet - Stop	2

Note: Illustrated Parts List, P/N 84264, supersedes and cancels Illustrated Parts List, P/N 69663, which may now be destroyed.

**SERVICE SPECIFICATIONS**

Spark Plug Gap	-----	0.025 in.
Lamination Gap	-----	0.010 to 0.015 in.
Breaker Point Gap	-----	0.021 in.
Carburetor Adjustment		
Idle Needle	- Preliminary adjustment 7/8 turn open. Adjust for smooth idle and acceleration.	
Main Needle	- Preliminary adjustment 1-1/8 turn open. Adjust for maximum power under load.	
Torque Values		
Flywheel Nut	-----	350 to 400 inch-pounds.
Clutch Nut	-----	300 to 340 inch-pounds.
Connecting Rod Screws	-----	90 to 95 inch-pounds.

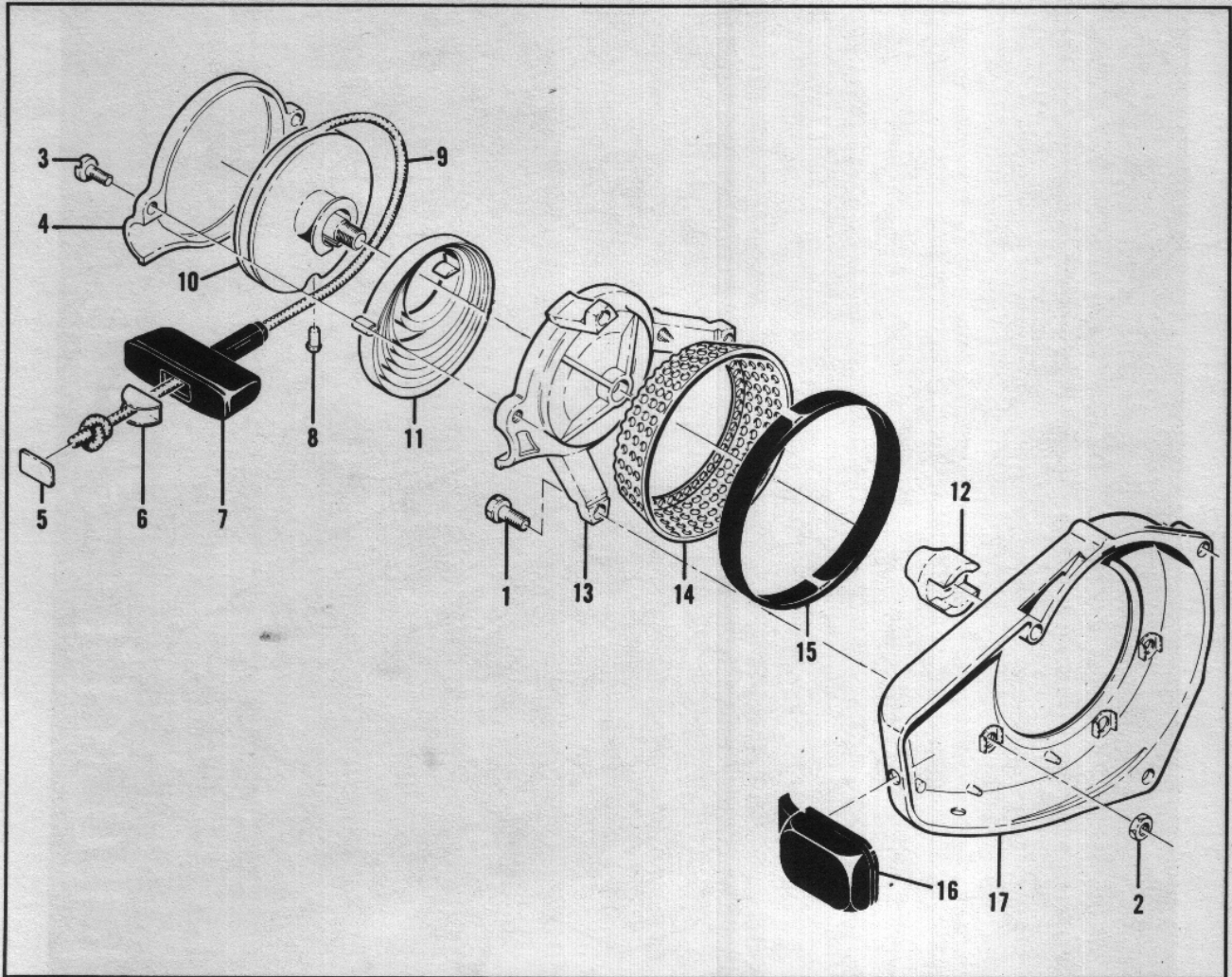
FIGURE 2. CLUTCH GUARD AND CLUTCH ASSEMBLIES



Item No.	Part Number	Description	Units Per Assy
1	83570	Clutch Guard Assy	1
2	62057	. Screw - Adjustment	1
3	105686	. Pin - Cotter	1
4	100004	. Washer - 1/4	1
5	100005	. Washer - 1/4	1
6	52207C	. Nut - Bar adjustment	1
7	110041	Screw - Pan hd 8-32 x 1/2	2

Item No.	Part Number	Description	Units Per Assy
8	69492	Retainer - Deflector	1
9	69477	Deflector - Sawdust	1
	60315	Clutch Assy	1
10	51468A	. Spring - Clutch	1
11	51464A	. Shoe - Clutch	4
12	48713	. Rotor Assy - Clutch	1
13		Bar & Chain Assys	1
14	64935	Plate - Bar	2

**FIGURE 3. FAN HOUSING AND STARTER ASSEMBLY**



Item No.	Part Number	Description	Units Per Assy
1	104815	Screw - Hex hd10-24 x 7/8 (SEMS)	3
2	101191	Nut - Hex 10-24	3
	84211	Starter Assy	1
3	104396	Screw - Pan hd 10-24 x 3/4	2
4	60647	Cover - Starter	1
5	57232	Plate - Starter handle	1
6	57231	Cup - Starter handle	1
7	57230	Handle - Starter	1

Item No.	Part Number	Description	Units Per Assy
8	101136	Rivet - Starter rope	1
9	28716	Rope - Starter	1
10	84185	Drum - Starter	1
11	51665	Spring - Rewind	1
12	57790	Ratchet - Starter	1
13	84212	Base - Starter	1
14	50581A	Guard - Sawdust	1
15	83501	Gasket - Sawdust guard	1
16	69544	Cover - Spark plug	1
17	69989	Housing - Fan	1



FIGURE 4. FUEL TANK ASSEMBLY

Item No.	Part Number	Description	Units Per Assy
1	110621	Screw - Hex hd 10-24 x 3/4 (SEMS)	2
2	104895	Screw - Skt hd 10-24 x 5/8	2
3	83745	Washer - Special	2
4	104895	Screw - Skt hd 10-24 x 5/8	2
5	69563	Mount - Front shock	1
6	69422	Bracket - Shock mount	1
7	55934B	Cap Assy - Fuel	1
8	53766A	. Valve - Check	1
9	55063	. Seal - Capillary	1
10	101348	. "O" Ring	1
11	69312	Hose - Fuel	1
12	67944	Spring - Hose stiffener	1
13	53679B	Pickup Assy - Fuel	1
14	61159	. Filter - Fuel	1
15	69495	Button - Oiler	1
16	69442	Retainer - Choke rod	1
17	69471	Button - Choke	1
18	101056	"O" Ring	1
19	69443	Rod - Choke	1
20	110614	Screw - Hex hd 10-24 x 2-3/8	2
21	103174	Lockwasher - #10	2
22	24236	Washer - Special	2
23	69152	Anchor Assy - Air cleaner	1
24		Carburetor Assy (See Figures 5A and 5B)	1

Item No.	Part Number	Description	Units Per Assy
25	69532	Gasket - Carburetor	1
26	84119	Rod - Throttle	1
27	69525	Grommet - Throttle rod	1
28	104501	Retainer - Trigger pin	1
29	69465	Pin - Trigger	1
30	69466	Spring - Trigger	1
31	84121	Trigger	1
32	*110537	Screw - Fil hd 8-36 x 1/2	1
33	103672	Screw - Fil hd 8-32 x 1/2 (SEMS)	1
34	110469	Screw - Pan hd 8-32 x 5/16	1
35	69704	Harness Assy - Switch	1
36	59592	Contact - Switch	1
37	59591	Base - Switch	1
38	57718	Button - Switch	1
39	69565	Spring - Connector	1
40	69371	Ferrule - Connector	2
41	69889	Connector	1
42	84115	Tank Assy - Fuel	1
43	51396A	. Cover Assy - Adjustment	1
44	69360	. Plug - Cover Assy	1
45	101326	. Nut - Hex 10-24	2
46	28053	. Retainer - Nut	2
47	69350	. Grip - Handle	1
48	*110666	Ring - Retaining	1
49	*84214	Spring - Throttle lock	1
50	*84213	Button - Throttle lock	1

\*Used on units with serial numbers prefixed 11- and A11-.

**CP 125  
CP 125S**

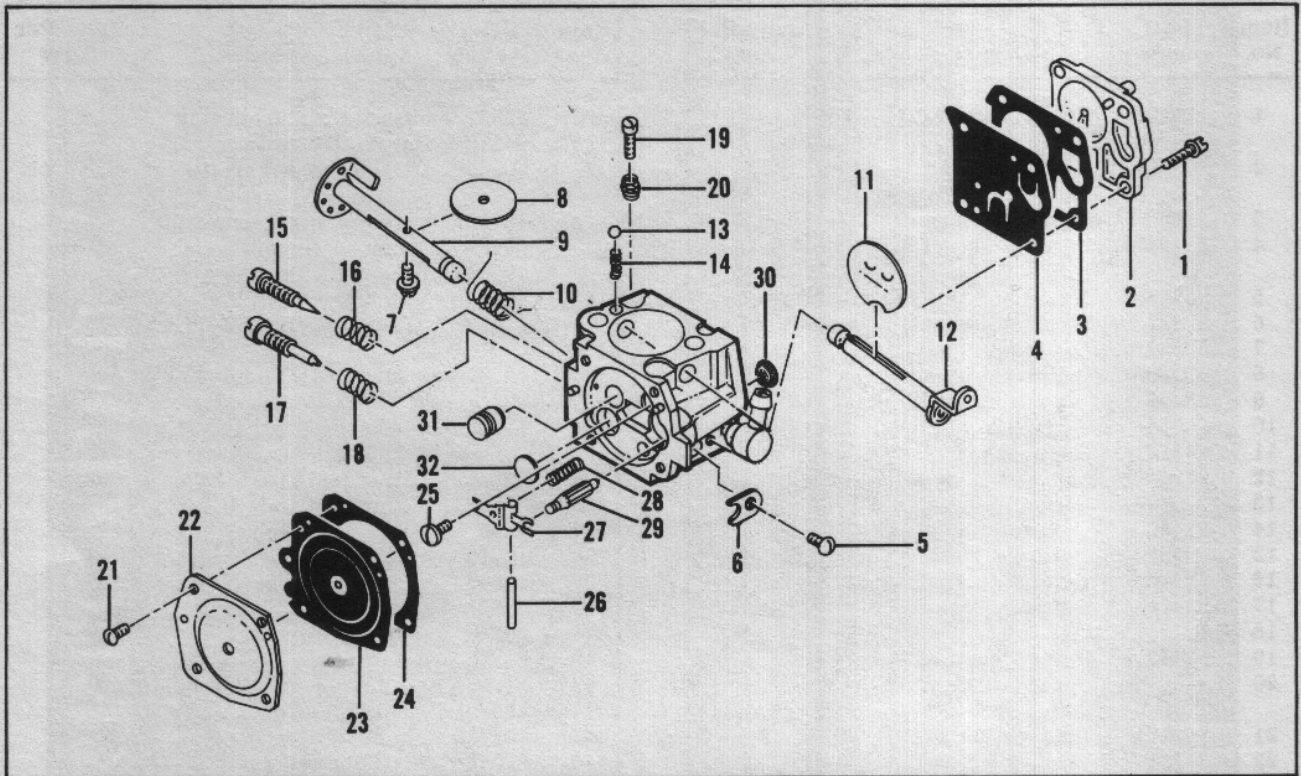


Figure 5A. Tillotson Carburetor Assembly

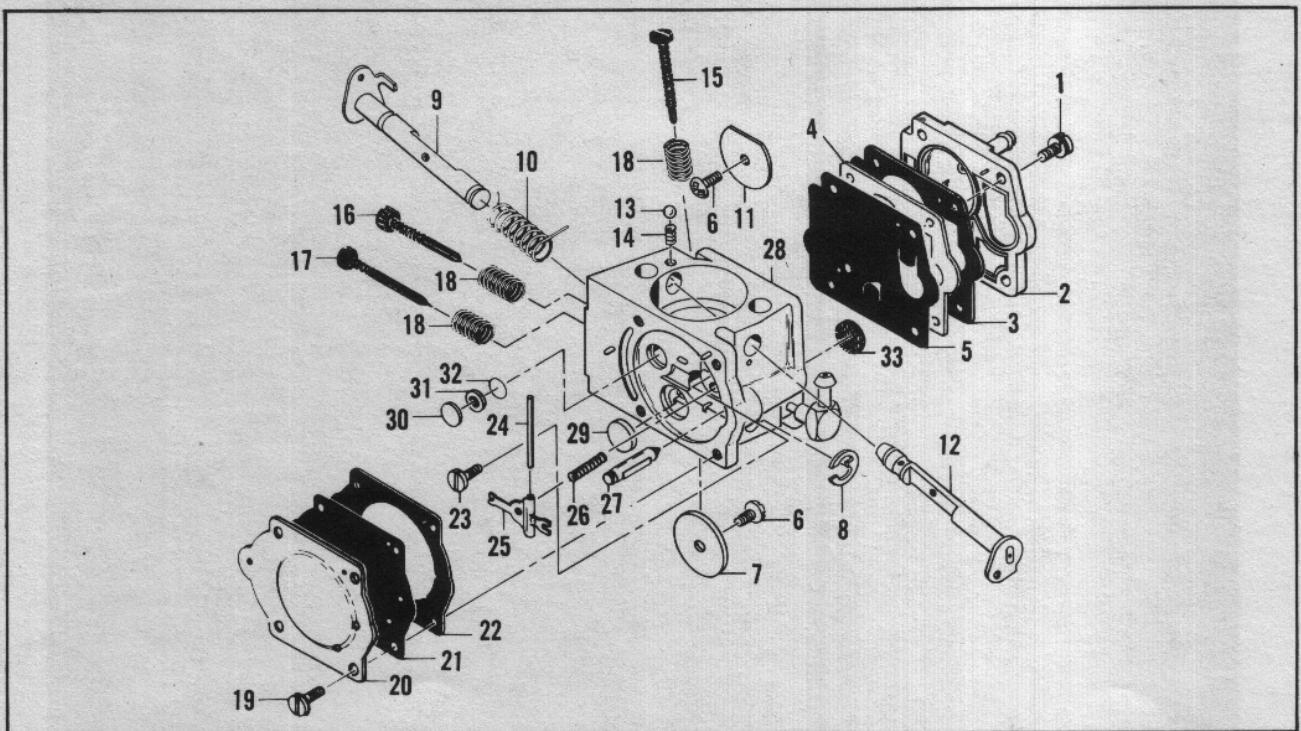


Figure 5B. McCulloch SDC 20 Carburetor Assembly



**FIGURE 5A. TILLOTSON CARBURETOR ASSEMBLY**

Item No.	Part Number	Description	Units Per Assy
	69373	Carburetor Assy	1
1	52933	. Screw - Pump cover	4
2	83731	. Cover - Pump	1
3	66629	. Gasket - Cover	1
4	*66630	. Diaphragm - Fuel pump	1
5	48780	. Screw - Clip	1
6	66646	. Clip - Shaft	1
7	*48780	. Screw - Plate	1
8	51720	. Plate - Throttle	1
9	83728	. Shaft Assy - Throttle	1
10	*67136	. Spring - Throttle shaft	1
11	66639	. Plate - Choke	1
12	83717	. Shaft Assy - Choke	1
13	100071	. Ball - Choke friction	1
14	52930	. Spring - Choke friction	1
15	*67134	. Needle - High speed	1
16	*52936	. Spring - High speed needle	1
17	*67132	. Needle - Idle	1

Item No.	Part Number	Description	Units Per Assy
18	*67133	. Spring - Idle needle	1
19	*66625	. Screw - Idle speed	1
20	*66626	. Spring - Idle speed screw	1
21	51721	. Screw - Diaphragm cover	4
22	66631	. Cover - Diaphragm	1
23	*66632	. Diaphragm - Metering	1
24	66633	. Gasket - Diaphragm	1
25	*66644	. Screw - Lever pin	1
26	*66636	. Pin - Inlet lever	1
27	*66638	. Lever - Inlet	1
28	*66404	. Spring - Lever	1
29	*66637	. Valve - Needle	1
30	*66623	. Screen - Inlet	1
31	83729	. Check valve - Nozzle	1
32	*66622	. Plug - Welch	1
	*83727	Gasket Set	
	83726	Repair Kit	

\*Indicates parts included in Repair Kit, P/N 83726

The carburetor on this chain saw (Tillotson - Figure 5A, or McCulloch SDC-20 - Figure 5B), carries an identification on the fuel pump cover. Check identification of the carburetor before ordering or installing replacement parts.

**FIGURE 5B. McCULLOCH SDC-20 CARBURETOR ASSEMBLY**

Item No.	Part Number	Description	Units Per Assy
	83550	Carburetor Assy	1
1	67501	. Screw - Pump cover	4
2	83774	. Cover - Pump	1
3	*67495	. Gasket - Cover	1
4	*67498	. Diaphragm - Check valve	1
5	83114	. Diaphragm - Fuel pump	1
6	47690	. Screw - Plate	2
7	83762	. Plate - Throttle	1
8	84198	. Ring - Retaining	1
9	83775	. Shaft Assy - Throttle	1
10	*83777	. Spring - Throttle return	1
11	67490	. Plate - Choke	1
12	83776	. Shaft Assy - Choke	1
13	*100302	. Ball - Choke friction	1
14	*67504	. Spring - Choke friction	1
15	68106	. Screw - Idle speed	1
16	*84189	. Needle - High speed	1
17	*68105	. Needle - Idle	1

Item No.	Part Number	Description	Units Per Assy
18	*67502	. Spring - Needle	3
19	70798	. Screw - Diaphragm cover	4
20	83761	. Cover - Diaphragm	1
21	*67499	. Diaphragm - Metering	1
22	*67496	. Gasket - Diaphragm	1
23	*67500	. Screw - Lever pin	1
24	*67508	. Pin - Inlet lever	1
25	*67509	. Lever - Inlet	1
26	*67503	. Spring - Lever	1
27	*67491	. Valve - Needle	1
28	83773	. Body Assy - Carburetor	1
29	*71690	. . Plug - 3/8	1
30	*69506	. . Plug - 5/16	1
31	69203	. . Seat Assy	1
32	69204	. . Valve	1
33	*67507	. . Screen - Fuel	1
	*67482	Gasket Set	
	83778	Repair Kit	

\*Indicates parts included in Repair Kit, P/N 83778



**FIGURE 6. OILER TANK AND PUMP ASSEMBLIES**

Item No.	Part Number	Description	Units Per Assy
1	61331	Kit - Spike	1
2	102088	. Screw - Fl hd 1/4-20 x 3/4	3
3	100152	. Nut - Hex 1/4-20	3
4	100153	. Lockwasher - 1/4	3
5	104950	Screw - Hex hd 10-24 x 5/8	2
6	100152	Nut - Hex 1/4-20	1
7	105836	Lockwasher - 1/4	1
8	71016	Washer - 1/4	1
9	69440	Bracket - Lower Mount	1
10	69589	Mount - Lower	1
11	59445	Decal - Oiler	1
12	68809	Cap - Oil	1
13	101148	"O" Ring	1
14	110245	Screw - Fl hd 10-24 x 3/4	1
15	110257	Screw - Hex hd 10-24 x 1-3/4	1
16	110127	Screw - Hex hd 10-24 x 7/8 (SEMS)	1
	83135	Pump Assy - Pulse	1
17	67929	. Screw - Set	1
18	104001	. "O" Ring	1
19	60976	. Nut - Lock	1
20	60260 A	. Piston Assy	1
21	60937	. Washer - Piston	1
22	60263	. Ring - Piston	1
23	104001	. "O" Ring	1
24	60259	. Spring - Piston	1

Item No.	Part Number	Description	Units Per Assy
25	67918	. Sleeve - Adjustment	1
26	83132	. Body Assy - Pump	1
27	60397A	. . Screw - Special	1
28	60398B	. . Washer - Special	1
29	60396B	. . Spring - Ball Check	1
30	102809	. . Ball - Check	1
31	110157	. . Plug - Expansion	1
32	68794	Gasket - Pump	2
33	67471	Spacer - Pump	1
34	65578	Gasket - Crankcase bottom cover	1
35	67253	Cover - Crankcase	1
36	60252	Gasket - Oiler housing	1
37	63643	Piston - Oiler	1
38	103198	"O" Ring	1
39	51946	Spring - Piston	1
40	51505	Weight Assy - Oil line	1
41	51506	. Screen - Oil	1
42	28007	Hose - Oil pickup	1
43	69661	Housing Assy - Oiler	1
44	51982A	. Valve Assy - Check	1
45	105677	. Plug - Expansion	1
46	104869	. Plug - Pipe	1
47	51423B	. Bolt - Bar	2
48	51439	. Lockplate	1

**CP125  
CP125S**

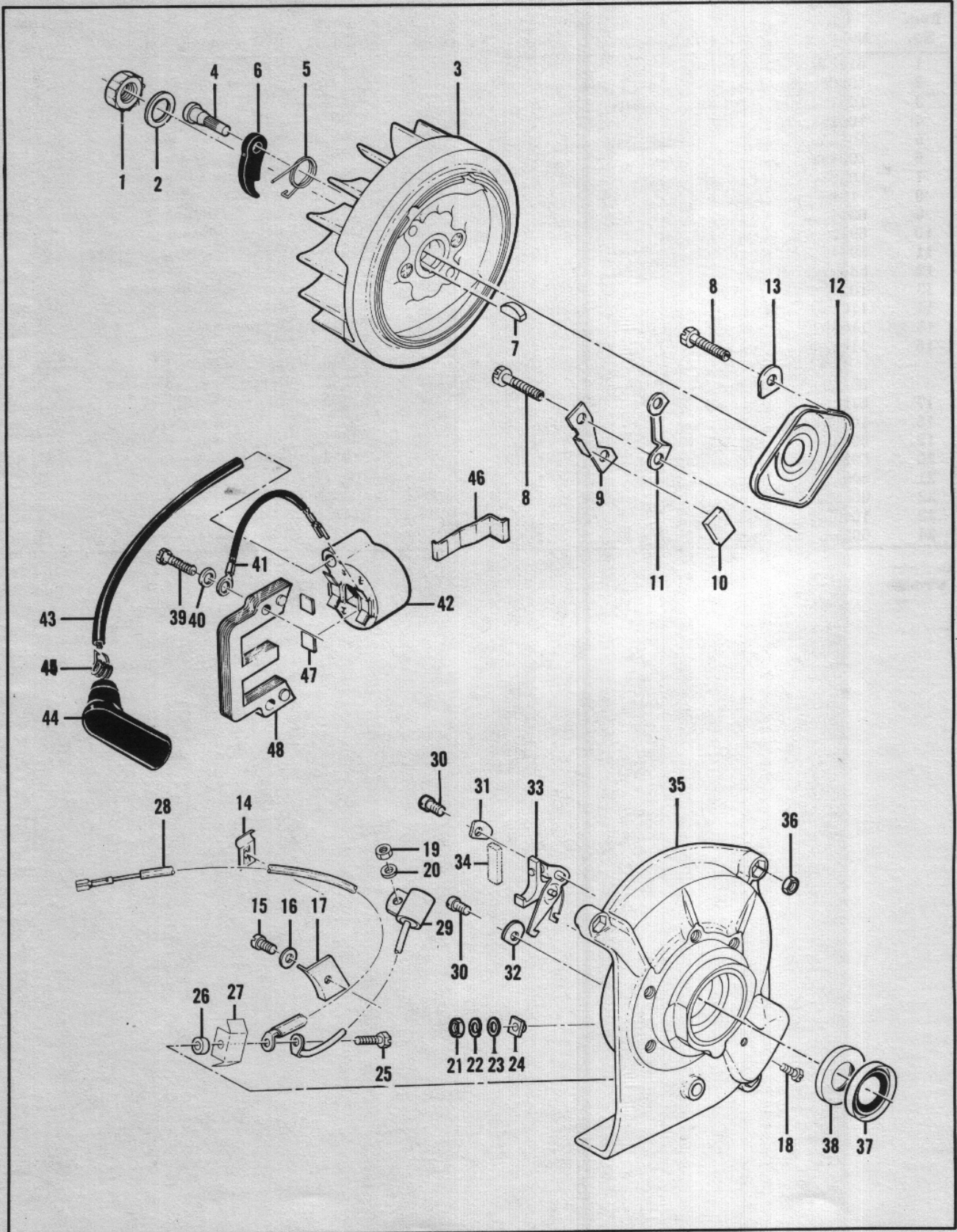


Figure 7. Crankcase Cover and Ignition Assemblies

**FIGURE 7. CRANKCASE COVER AND IGNITION ASSEMBLIES**

Item No.	Part Number	Description	Units Per Assy
1	101179	Nut - Hex 7/16-20	1
2	101270	Washer - Special	1
3	68282	Flywheel & Pawl Assy	1
4	36144B	. Pin - Pawl	2
5	66351	. Spring - Pawl	2
6	24093	. Pawl - Starter	2
7	103879	Key - Woodruff	1
8	102763	Screw - Hex hd 10-24 x 3/4 (SEMS)	6
9	57815	Strap - Seal	1
10	50664	Seal - Breaker box	1
11	55977	Clip - Cover	2
12	55766B	Cover - Breaker box	1
13	36388	Lockplate	1
14	104230	Nut - Speed	1
15	110055	Screw - Fil hd 8-32 x 3/8 (SEMS)	1
16	100080	Washer - #8	1
17	57829	Clamp - Ignition wire	1
18	103748	Screw - Hex hd 8-32 x 1/2	1
19	100251	Nut - Hex 8-32	1
20	100057	Lockwasher - #8	1
21	104551	Nut - Hex 8-32	1
22	104553	Lockwasher - #8	1
23	100080	Washer - #8	1
24	57770A	Insulator - Breaker spring	1
25	110338	Screw - Hex hd 8-32 x 9/16	1

Item No.	Part Number	Description	Units Per Assy
26	57769	Insulator - Ignition screw	1
27	55782A	Insulator - Breaker terminal	1
28	63628	Wire Assy - Primary	1
29	61650	Condenser	1
30	104733	Screw - Fil hd 8-32 x 1/2 (SEMS)	2
31	57767A	Lockplate	1
32	55778E	Washer - Breaker retainer	1
33	57765B	Breaker Assy	1
34	54184	Wiper - Oil	1
35	84193	Cover Assy - Crankcase	1
36	101326	. Nut - Hex 10-24	3
37	57898	. Seal - Oil	1
38	57897	. Seal - Oil	1
39	104815	Screw - Hex hd 10-24 x 7/8 (SEMS)	2
40	100352	Washer - #10	2
41	63639	Wire Assy - Ground	1
42	69798	Kit - Coil & Terminal Assy	1
43	69966	. Wire Assy - Spark plug	1
44	62926	. . Boot - Spark plug	1
45	62932	. . Connector - Spark plug	1
46	51253	. Retainer - Coil	1
47	67863	. Spacer - Coil	2
48	51251	Lamination Assy	1

**CP 125  
CP 125S**

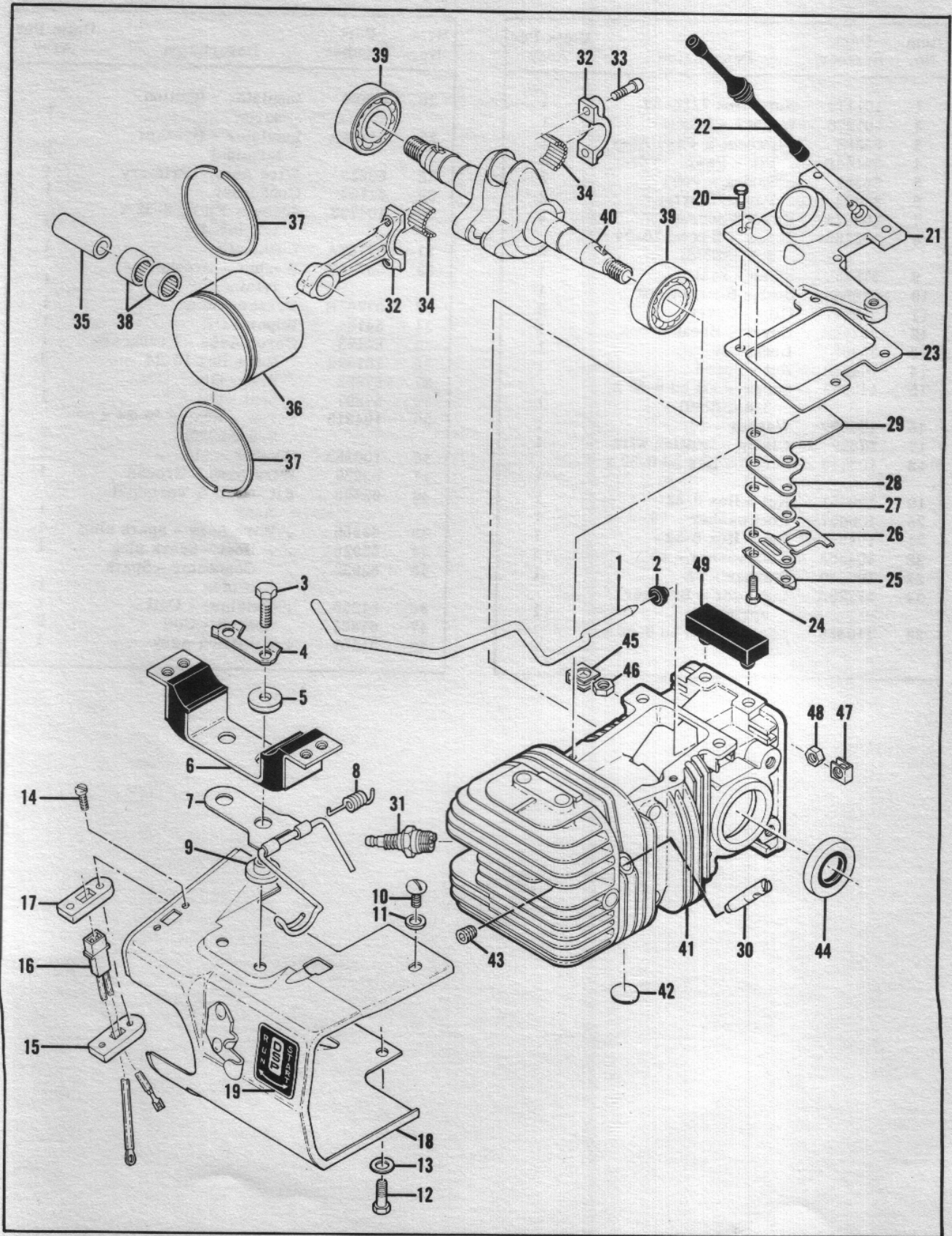


Figure 8. Powerhead and Shroud Assemblies

**FIGURE 8. POWERHEAD AND SHROUD ASSEMBLIES**

Item No.	Part Number	Description	Units Per Assy
1	69460	Pushrod - Oiler	1
2	57736	Seal - Pushrod	1
3	102761	Screw - Hex hd 10-24 x 7/8	2
4	69654	Lockplate	1
5	69417	Washer - Insulator	2
6	69562	Mount - Rear	1
7	69480	Bracket & Lever Assy - DSP	1
8	69481	Spring - Lever	1
9	69418	Spacer - Insulator	1
10	104393	Screw - Pan hd 10-24 x 3/8	1
11	100003	Washer - #10	1
12	102861	Screw - Hex hd 1/4-20 x 5/8	2
13	100005	Washer - 1/4	2
14	104763	Screw - Pan hd 6-32 x 1/2	2
15	83409	Base - Pin housing	1
16	69699	Harness Assy - Switch	1
17	69490	Retainer - Pin housing	1
18	69967	Shroud Assy	1
19	69499	. Emblem - DSP	1
20	110621	Screw - Hex hd 10-24 x 3/4 (SEMS)	4
21	69669	Manifold & Connector	1
22	69873	Hose - Pulse line	1
23	69526	Gasket - Manifold	1
24	103748	Screw - Hex hd 8-32 x 1/2	2
25	69501	Lockplate	1
26	69771	Stop - Reed	1

Item No.	Part Number	Description	Units Per Assy
27	69886	Leaf - Valve second	1
28	69887	Leaf - Valve first	1
29	69768	Valve - Reed	1
30	69877	Valve - DSP	1
31	63097	Spark Plug	1
32	69250	Connecting Rod Assy	1
33	47819A	. Screw - Skd hd 10-32 x 5/8	2
34	69891	. Roller - Needle	24
35	69408	Pin - Piston	1
36	69301	Piston Assy (Standard thick ring - CP125)	1
	69241	Piston Assy (Standard thin ring - CP125S)	1
37	69305	. Ring Set - Piston (Standard thick - CP125)	1
	47865	. Ring Set - Piston (Standard thin - CP125S)	1
38	104519	. Bearing - Needle	2
39	66016	Bearing - Ball	2
40	69346	Crankshaft	1
41	84071	Crankcase Assy	1
42	110340	. Plug - Expansion	3
43	104869	. Plug - Pipe	1
44	104432	. Seal - Oil	1
45	28053	. Retainer - Nut	2
46	101326	. Nut - Hex 10-24	2
47	18556A	. Retainer - Nut	6
48	105394	. Nut - Hex 1/4-20	6
49	69872	. Snubber - Fuel tank	1

**ACCESSORIES**

Part Number	Description
84249	Manual - Owner's
64797	Wrench - Spark plug
61040	Wrench - Combination
65712	Timing Guide
68256	Kit - Split bearing retainer
83209	Kit - Piston Tool
69332	Kit - Spark Arrester baffle
63432	Spark Plug - AC CS 42T
65778	Spark Plug - AC CS 41T
<u>Thick Ring Piston Assys and Ring Sets(0.062 in.)</u>	
69302	Piston Assembly 0.010 in. oversize
69306	. Ring Set 0.010 in. oversize

Part Number	Description
69303	Piston Assembly 0.020 in. oversize
69307	. Ring Set 0.020 in. oversize
69304	Piston Assembly 0.030 in. oversize
69308	. Ring Set 0.030 in. oversize
<u>Thin Ring Piston Assys and Ring Sets (0.024 in.)</u>	
69241	Piston Assembly Standard
47865	. Ring Set Standard
69242	Piston Assembly 0.010 in. oversize
66048	. Ring Set 0.010 in. oversize
69243	Piston Assembly 0.020 in. oversize
66047	. Ring Set 0.020 in. oversize
69244	Piston Assembly 0.030 in. oversize
66045	. Ring Set 0.030 in. oversize