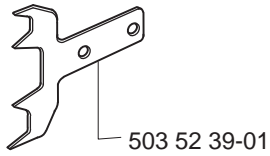
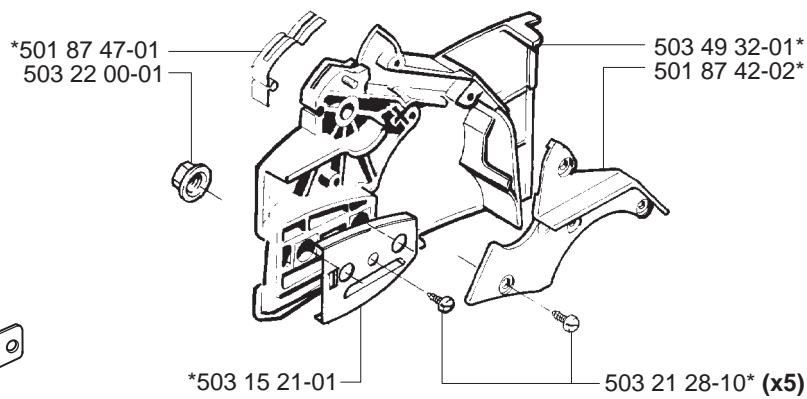
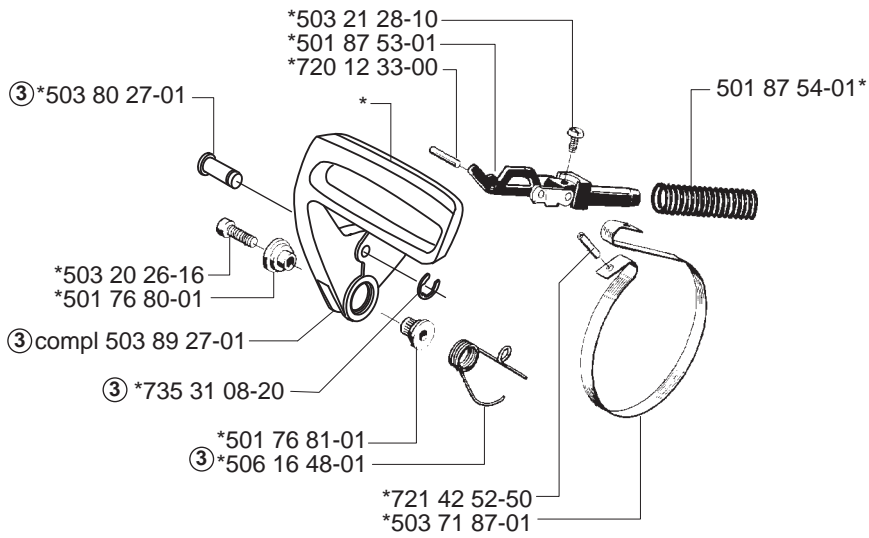


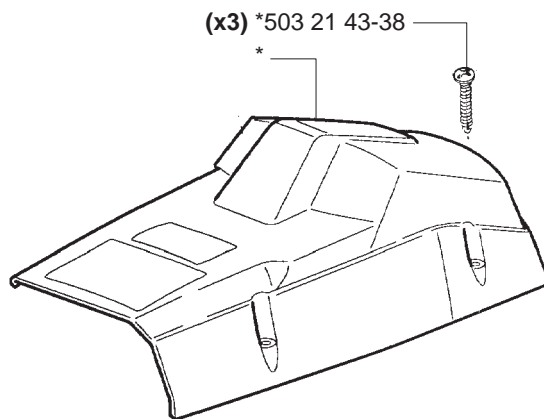
55 Rancher EPA

Spare parts	Replaces	
Ersatzteile	Ersetzt	
Pièces détachées	Remplace	
Reserve onderdelen	Vervangt	
Repuestos	Reemplaza	
Reservdelar	Ersätter	106 25 19-62

A *compl 503 49 81-03

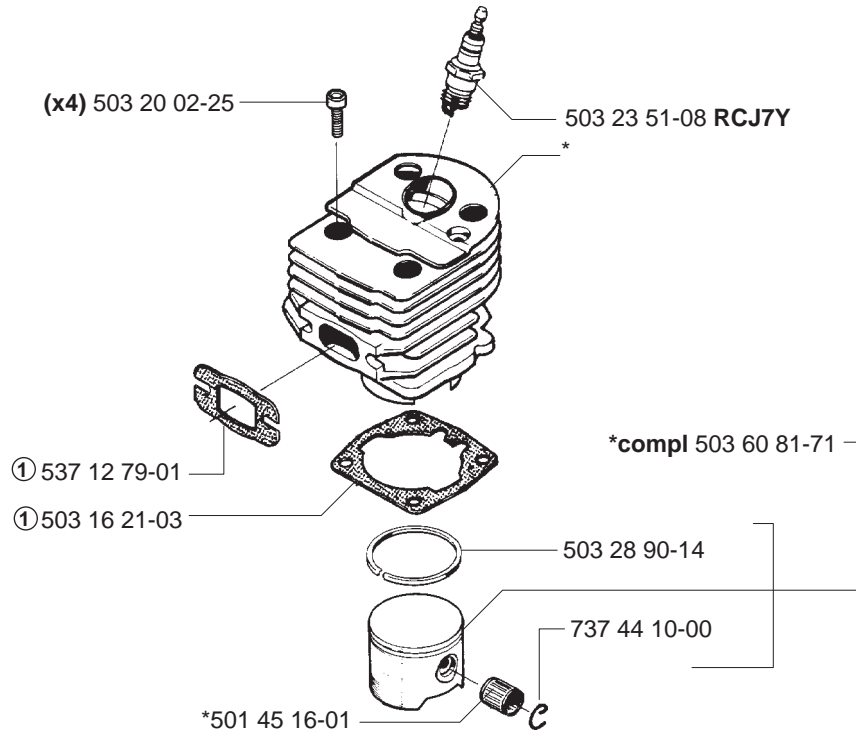
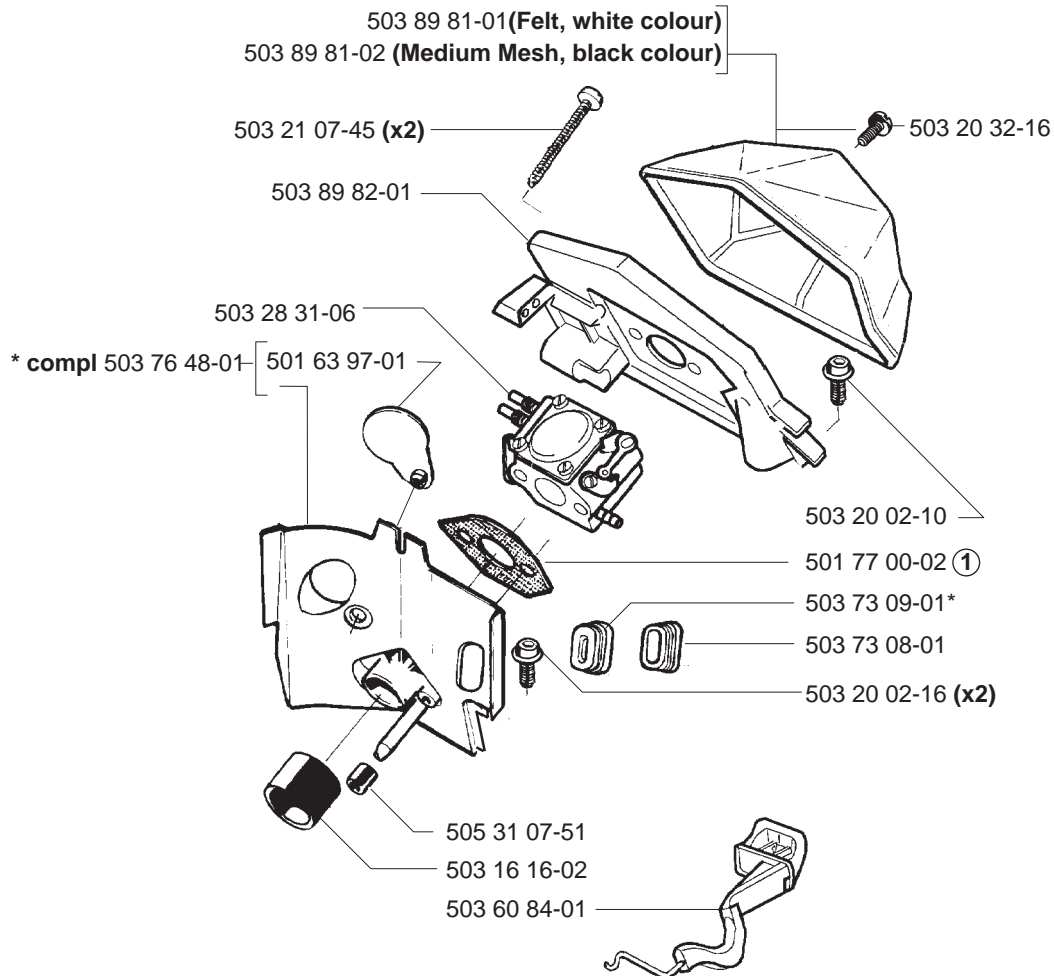


B *compl 503 60 90-06

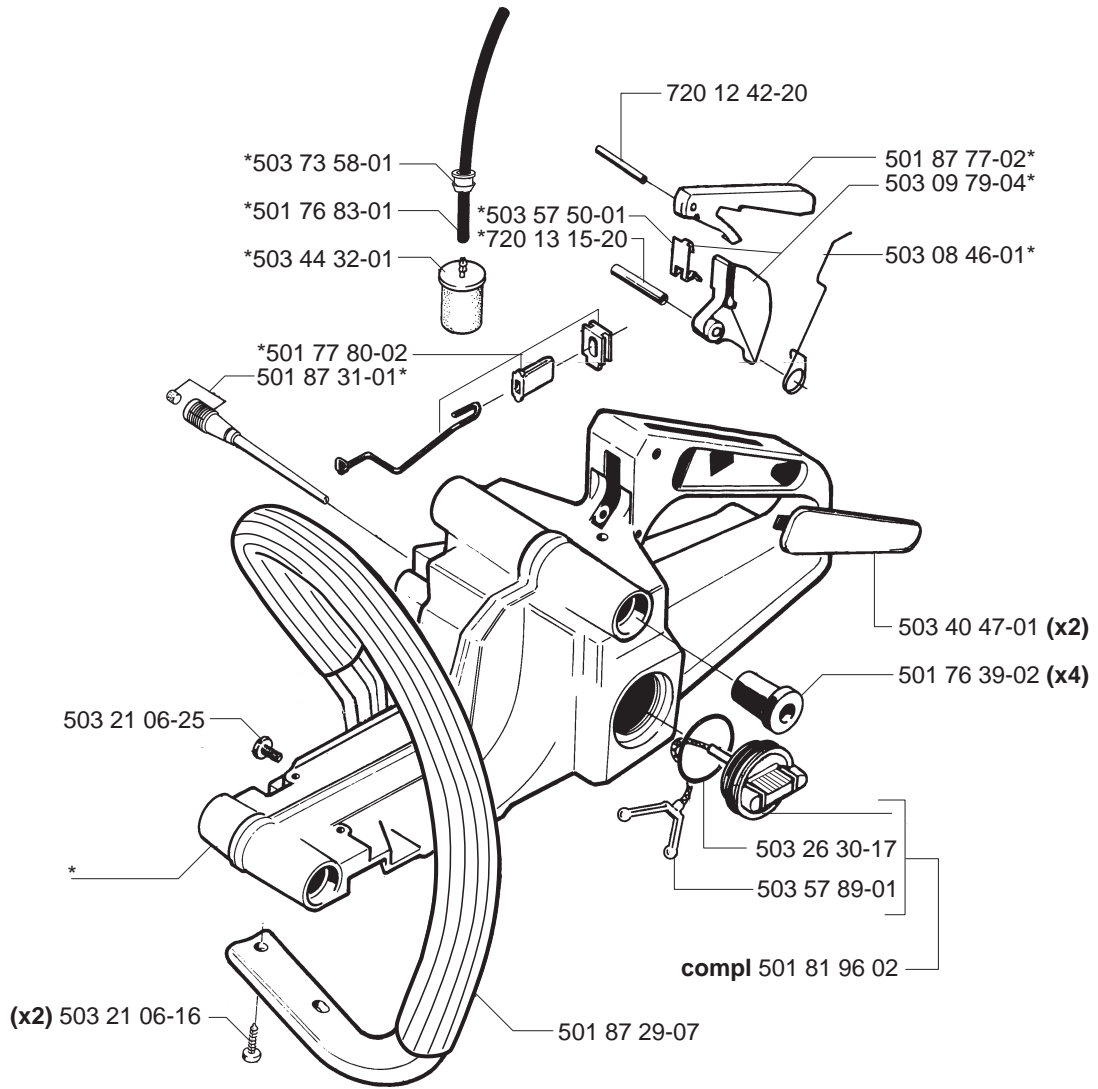


C

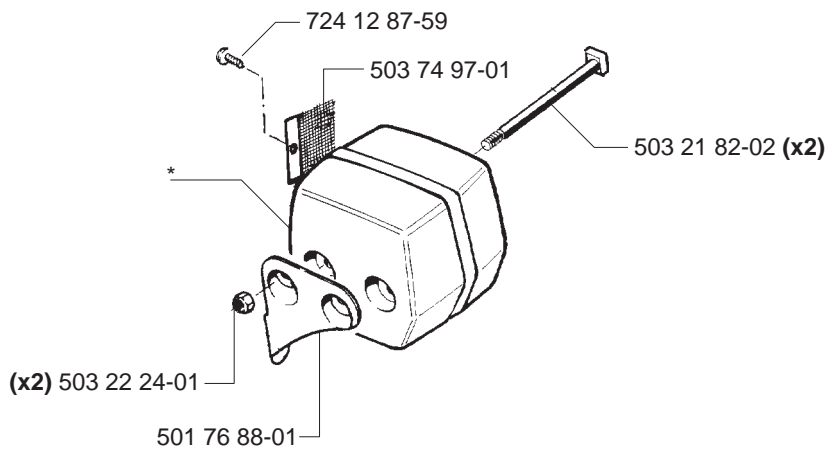
*compl 503 60 91-72

**D**

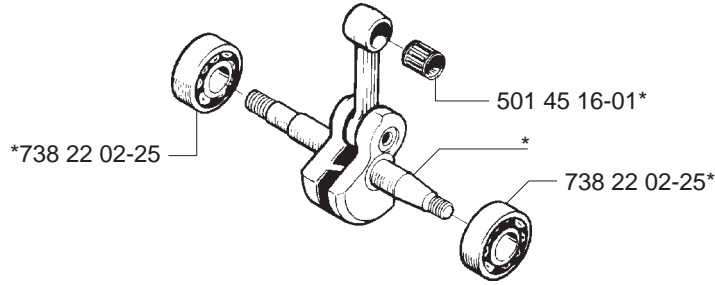
E *compl 501 76 13-10



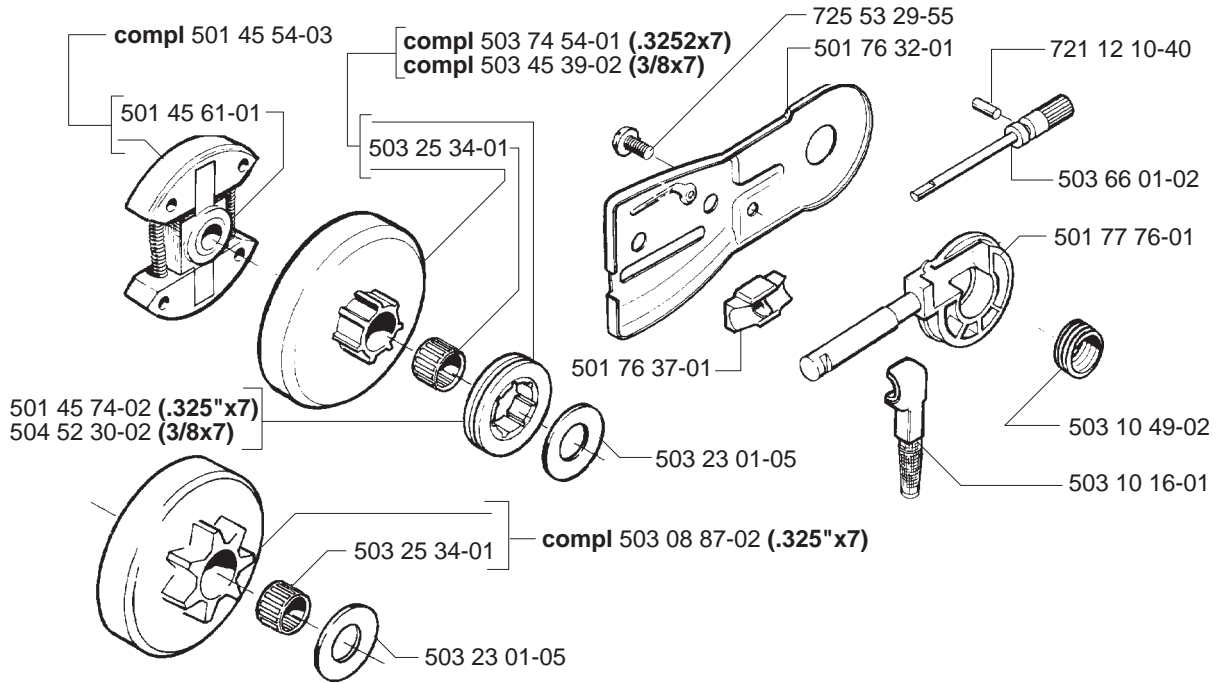
F *compl 503 74 91-01 (FF)



G *compl 503 57 38-06

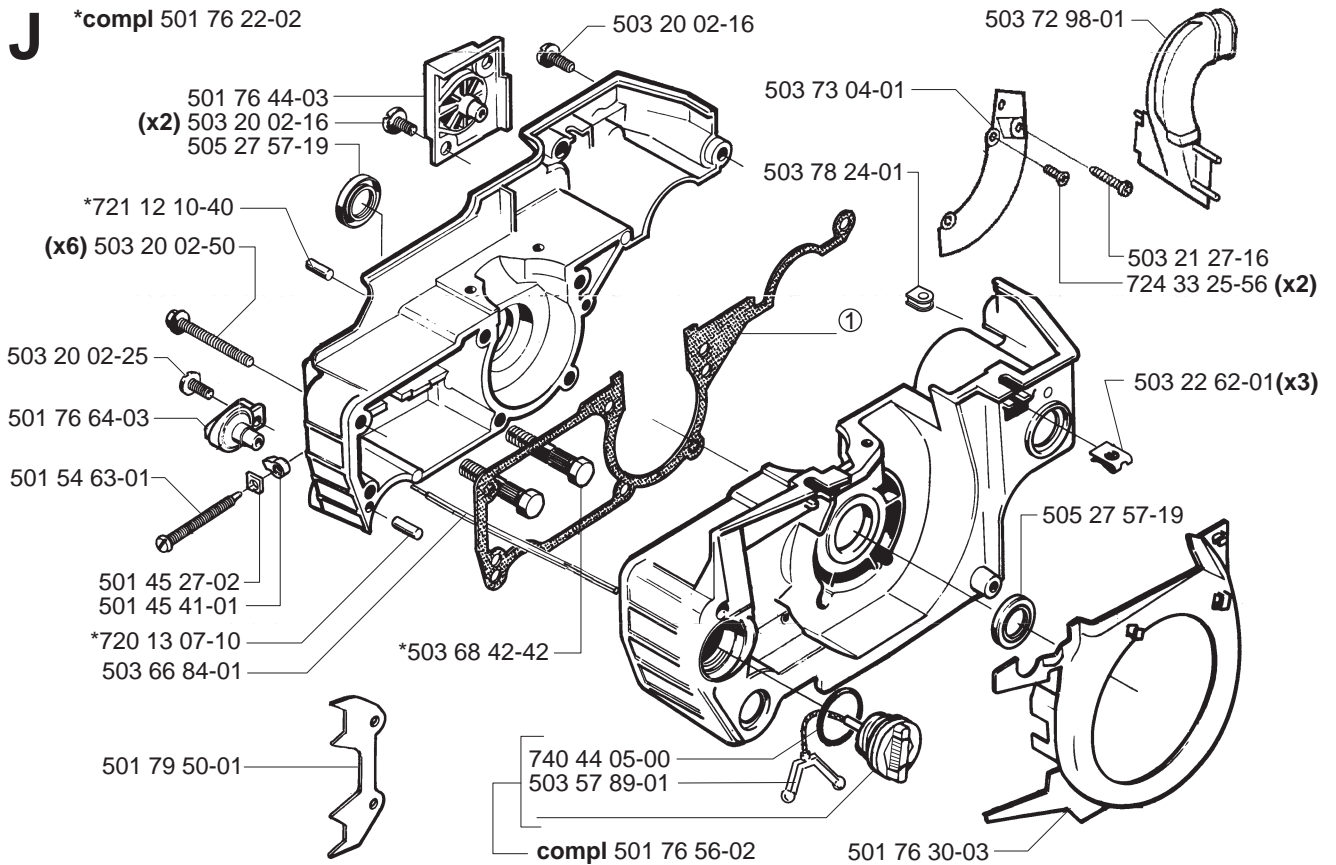


H

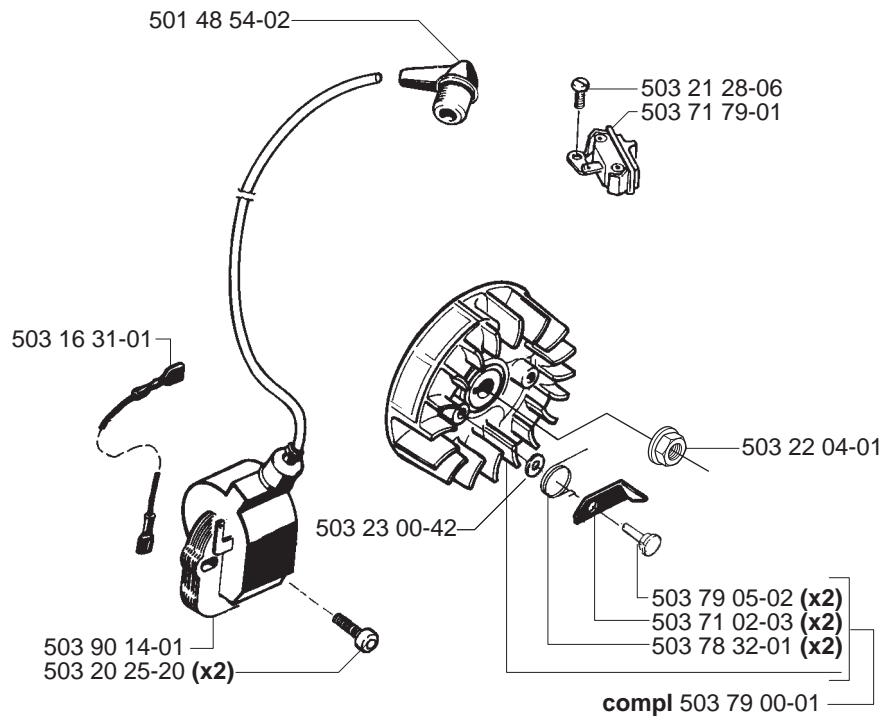


J

*compl 501 76 22-02

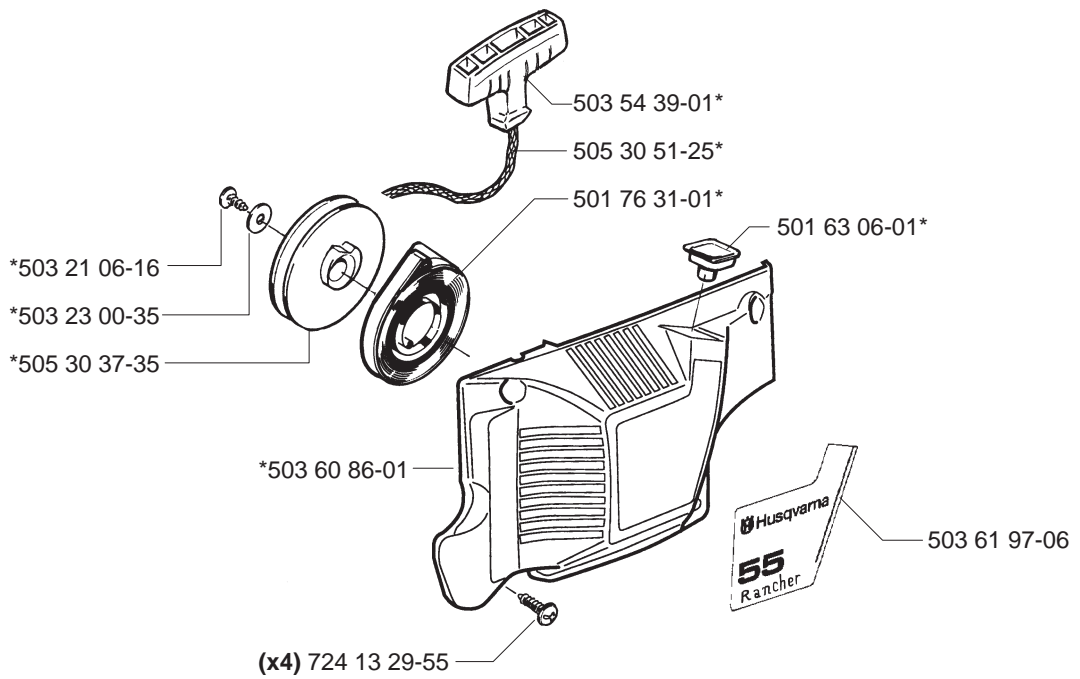


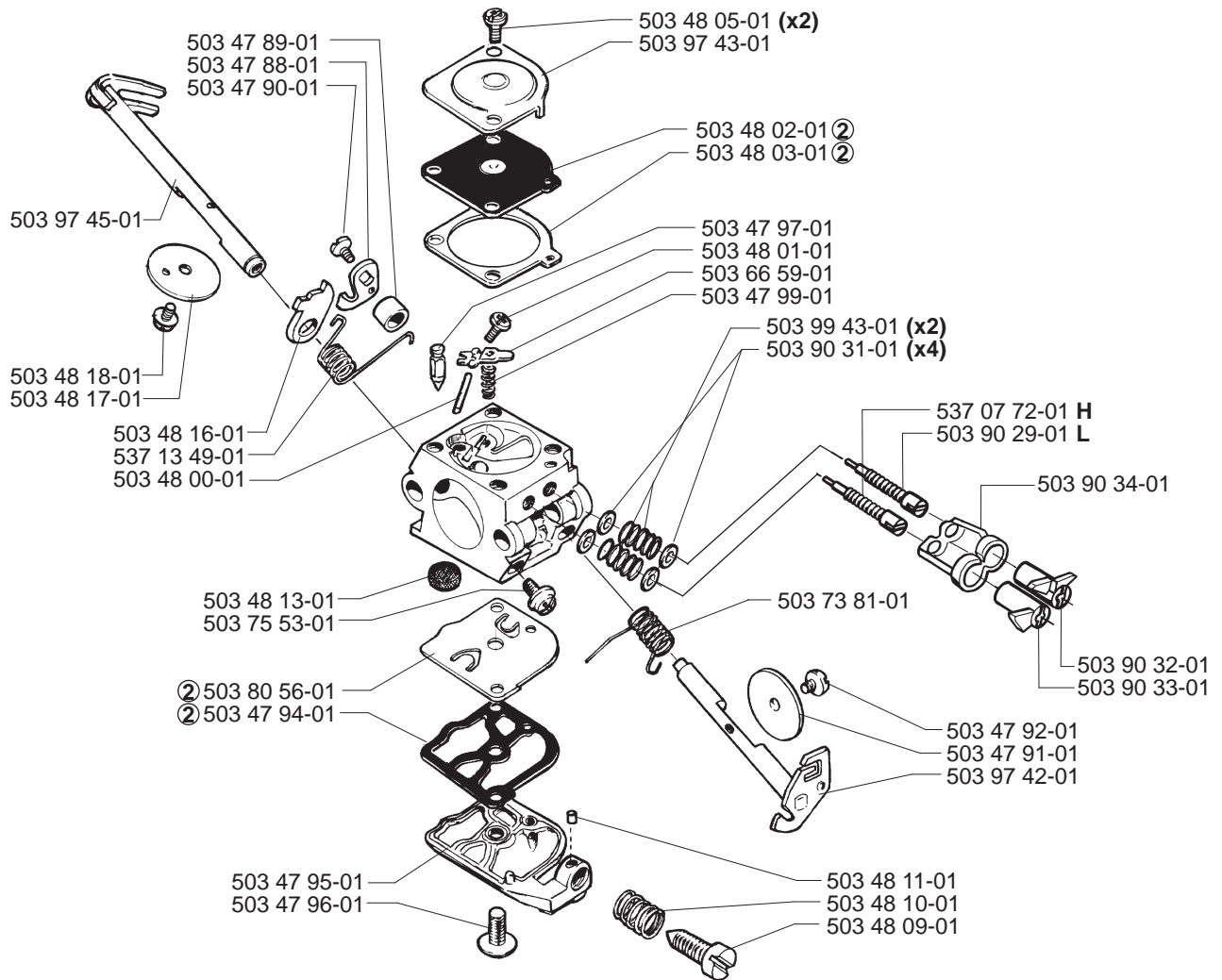
K



L

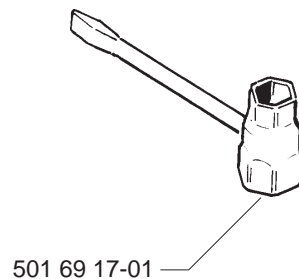
*compl 503 60 88-03





② 503 48 21-01
Set of gaskets
Dichtungssatz
Jeu de joints
Juego de Juntas
Packningssats

N **Tillbehör**
Accessories
Zubehöre
Accessoires
Accesorios



PART NUMBER	SQUARE NOTE	PART NUMBER	SQUARE NOTE	PART NUMBER	SQUARE NOTE	PART NUMBER	SQUARE NOTE
501 45 16-01	C,G	503 25 34-01	H	503 89 82-01	D		
501 45 27-02	J	503 26 30-17	E	503 90 14-01	K		
501 45 41-01	J	503 28 31-06	D,M	503 90 29-01	M		
501 45 54-03	H	503 28 90-14	C	503 90 31-01	M		
501 45 61-01	H	503 40 47-01	E	503 90 32-01	M		
501 45 74-02	H	503 44 32-01	E	503 90 33-01	M		
501 48 54-02	K	503 45 39-02	H	503 90 34-01	M		
501 54 63-01	J	503 47 88-01	M	503 97 42-01	M		
501 63 06-01	L	503 47 89-01	M	503 97 43-01	M		
501 63 97-01	D	503 47 90-01	M	503 97 45-01	M		
501 69 17-01	N	503 47 91-01	M	503 98 74-01	B		
501 76 13-10	E	503 47 92-01	M	503 99 43-01	M		
501 76 18-02	1=Compl	503 47 94-01	M	504 52 30-02	H		
501 76 22-02	J	503 47 95-01	M	505 27 57-19	J		
501 76 30-03	J	503 47 96-01	M	505 30 37-35	L		
501 76 31-01	L	503 47 97-01	M	505 30 51-25	L		
501 76 32-01	H	503 47 99-01	M	505 31 07-51	D		
501 76 37-01	H	503 48 00-01	M	506 16 48-01	A		
501 76 39-02	E	503 48 01-01	M	537 01 97-01	M		
501 76 44-03	J	503 48 02-01	M	537 07 72-01	M		
501 76 56-02	J	503 48 03-01	M	537 12 79-01	C	1	
501 76 64-03	J	503 48 05-01	M	537 13 49-01	M		
501 76 80-01	A	503 48 09-01	M	720 12 33-00	A		
501 76 81-01	A	503 48 10-01	M	720 12 42-20	E		
501 76 83-01	E	503 48 11-01	M	720 13 07-10	J		
501 76 88-01	F	503 48 13-01	M	720 13 15-20	E		
501 77 00-02	D	503 48 16-01	M	721 12 10-40	H,J		
501 77 76-01	H	503 48 17-01	M	721 42 52-50	A		
501 77 80-02	E	503 48 18-01	M	724 12 87-59	F		
501 79 50-01	J	503 48 21-01	M	724 13 29-55	L		
501 81 96 02	E	503 49 32-01	A	724 33 25-56	J		
501 87 29-07	E	503 49 81-03	A	725 53 29-55	H		
501 87 31-01	E	503 52 39-01	A	735 31 08-20	A		
501 87 42-02	A	503 54 39-01	L	737 44 10-00	C		
501 87 47-01	A	503 57 38-06	G	738 22 02-25	G		
501 87 53-01	A	503 57 50-01	E	740 44 05-00	J		
501 87 54-01	A	503 57 89-01	E,J				
501 87 77-02	E	503 60 81-71	C				
503 08 46-01	E	503 60 84-01	D				
503 08 87-02	H	503 60 86-01	L				
503 09 79-04	E	503 60 88-03	L				
503 10 16-01	H	503 60 90-06	B				
503 10 49-02	H	503 60 91-72	C				
503 15 21-01	A	503 61 97-06	L				
503 16 16-02	D	503 66 01-02	H				
503 16 21-03	C	503 66 59-01	M				
503 16 31-01	K	503 66 84-01	J				
503 20 02-16	D,J	503 68 42-42	J				
503 20 02-25	C,J	503 71 02-03	K				
503 20 02-50	J	503 71 79-01	K				
503 20 07-10	D	503 71 87-01	A				
503 20 25-20	K	503 72 98-01	J				
503 20 26-16	A	503 73 04-01	J				
503 20 32-16	D	503 73 08-01	D				
503 21 07-45	D	503 73 09-01	D				
503 21 27-16	J	503 73 58-01	E				
503 21 28-06	K	503 74 54-01	H				
503 21 28-10	A	503 74 91-01	F				
503 21 43-38	B	503 74 97-01	F				
503 21 49-16	E,L	503 75 53-01	M				
503 21 49-25	E	503 76 48-01	D				
503 21 82-02	F	503 78 24-01	J				
503 22 00-01	A	503 78 32-01	K				
503 22 04-01	K	503 79 00-01	K				
503 22 24-01	F	503 79 05-02	K				
503 22 62-01	J	503 80 27-01	A				
503 23 00-35	L	503 80 56-01	M				
503 23 00-42	K	503 89 27-01	A				
503 23 01-05	H	503 89 81-01	D				
503 23 51-08	C	503 89 81-02	D				

1 = Compl 501 76 18-02
2 = Compl 503 48 21-01

Set of gaskets, Dichtungssatz,
Jeu de joints, Juego de juntas,
Packningssats

N = New part, Neues teil,
Nouvelle piece, Nueva pieza
Ny detalj

EPA = Environmental Protection Agency
(for USA only)