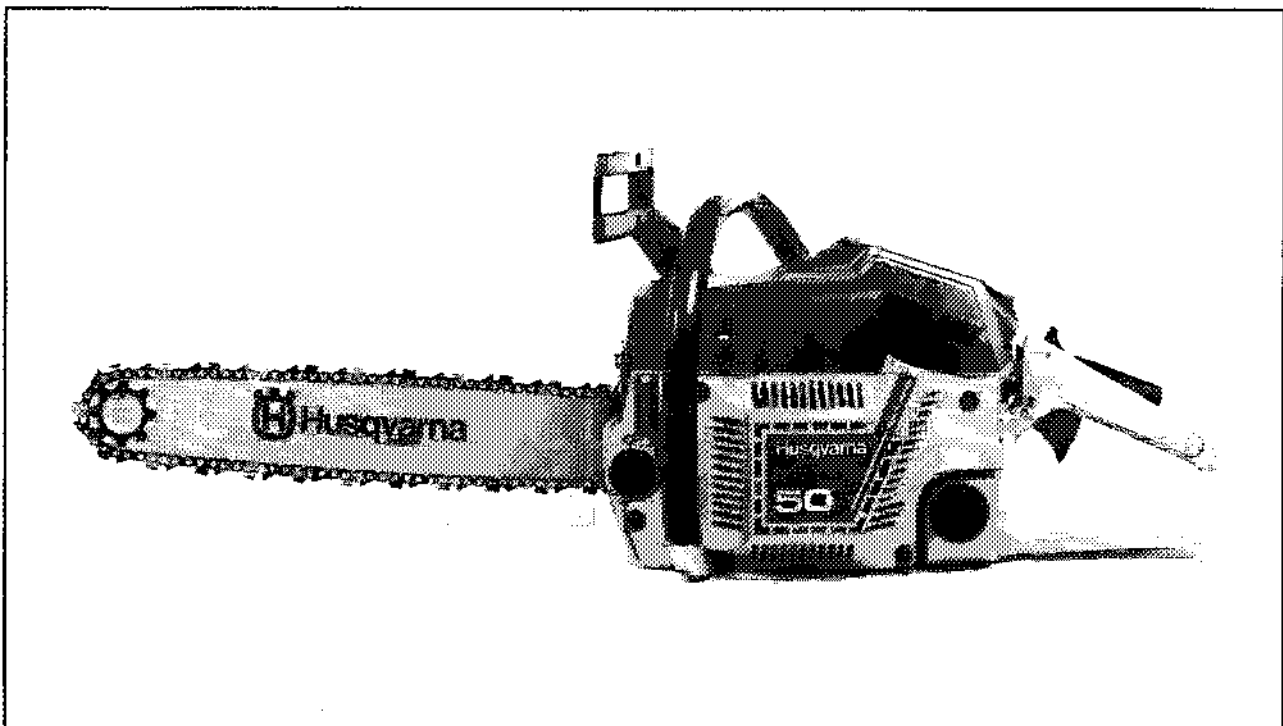


# 50



**1. 1989**

**Spare parts**

**Ersatzteile**

**Pièces détachées**

**Repuestos**

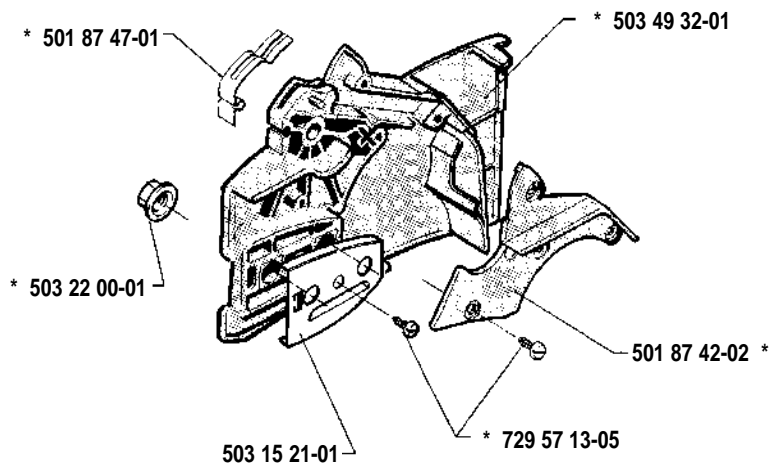
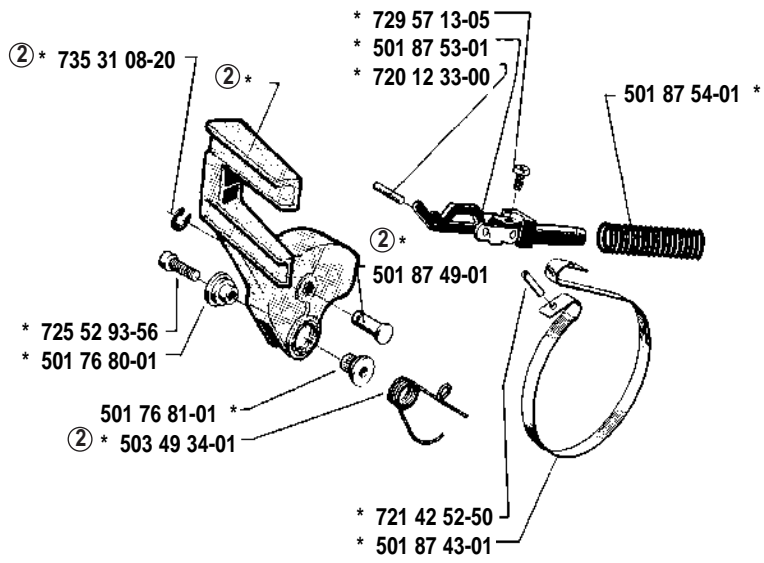
**Reservdelar**

| Ref.-No.<br>Teil-Nr.<br>N° de réf.<br>N° ref.<br>Ref. nr. | Square<br>Viereck<br>Carreau<br>Cuadro<br>Ruta | Remark<br>Vermerk<br>Notes<br>Notes<br>Observ.<br>Anm. | Ref.-No.<br>Teil-Nr.<br>N° de réf.<br>N° ref.<br>Ref. nr. | Square<br>Viereck<br>Carreau<br>Cuadro<br>Ruta | Remark<br>Vermerk<br>Notes<br>Notes<br>Observ.<br>Anm. | Ref.-Nr<br>Teil-Nr.<br>N° de réf.<br>N° ref.<br>Ref. nr. | Square<br>Viereck<br>Carreau<br>Cuadro<br>Ruta | Remark<br>Vermerk<br>Notes<br>Notes<br>Observ.<br>Anm. |
|---|--|--|---|--|--|--|--|--|
| 501 22 65-01  | N  |  | 501 81 96-02  | E  |  | 503 50 44-02   | C  | (N)  |
| 501 45 16-01  | C, G   |  | 501 83 93-02  | J  |  | 503 57 50-01   | E  | (N)  |
| 501 45 24-01  | C  |  | 501 86 71-01  | C  | (N)  | 504 13 08-08   | M  |  |
| 501 45 27-01  | J  |  | 501 87 31-01  | E  |  | 504 21 73-03   | K  |  |
| 501 45 41-01  | J  |  | 501 87 42-02  | A  | (N)  | 505 22 09-37   | J  |  |
| 501 45 54-03  | H  |  | 501 87 43-01  | A  | (N)  | 505 27 57-19   | J  |  |
| 501 45 61-01  | H  |  | 501 87 47-01  | A  | (N)  | 505 30 36-94   | H  |  |
| 501 45 74-02  | H  |  | 501 87 49-01  | A  | (N)  | 505 30 37-35   | L  |  |
| 501 46 69-01  | M  |  | 501 87 53-01  | A  | (N)  | 505 30 51-25   | L  |  |
| 501 46 73-01  | M  |  | 501 87 54-01  | A  | (N)  | 505 31 07-51   | D  |  |
| 501 46 87-01  | M  |  | 501 87 84-03  | A  | (N)  | 505 31 67-17   | M  |  |
| 501 48 54-02  | K  | (N)  | 502 11 98-01  | M  |  | 505 31 67-21   | M  |  |
| 501 53 82-01  | F  |  | 503 08 46-01  | E  |  | 505 31 67-51   | D, M   |  |
| 501 54 63-01  | J  |  | 503 08 87-02  | H  |  | 505 31 67-54   | M  |  |
| 501 55 10-01  | J  |  | 503 08 97-02  | K  | (N)  | 505 31 67-55   | M  |  |
| 501 55 14-02  | L  |  | 503 09 79-04  | E  | (N)  | 505 31 67-56   | M  |  |
| 501 63 06-01  | L  |  | 503 10 16-01  | H  |  | 505 31 67-58   | M  |  |
| 501 63 97-01  | D  |  | 503 10 23-01  | E  | (1)  | 505 31 67-59   | M  |  |
| 501 64 67-01  | K  |  | 503 10 49-02  | H  |  | 505 31 67-60   | M  |  |
| 501 66 78-01  | M  |  | 503 10 60-02  | L  |  | 505 31 67-61   | M  |  |
| 501 69 17-01  | N  |  | 503 10 87-01  | M  |  | 505 31 67-62   | M  |  |
| 501 76 13-06  | E  |  | 503 11 21-01  | G  |  | 505 31 67-63   | M  |  |
| 501 76 18-02  | -  | (1)  | 503 11 70-01  | M  | (N)  | 505 31 67-64   | M  |  |
| 501 76 22-02  | J  |  | 503 12 29-01  | L  |  | 505 31 67-65   | M  |  |
| 501 76 28-01  | D  |  | 503 15 17-04  | B  |  | 505 31 72-16   | H  |  |
| 501 76 29-01  | D  |  | 503 15 18-01  | L  |  | 505 38 13-07   | N  |  |
| 501 76 29-02  | D  | (N)  | 503 15 21-01  | A  |  | 505 52 01-05   | M  |  |
| 501 76 30-02  | J  |  | 503 16 16-02  | D  |  | 505 52 01-08   | M  |  |
| 501 76 31-01  | L  |  | 503 16 21-03  | C  | (1)  | 505 52 01-10   | M  |  |
| 501 76 32-01  | H  |  | 503 16 31-01  | K  |  | 505 52 01-11   | M  |  |
| 501 76 37-01  | H  |  | 503 16 83-01  | C  | (N)  | 505 52 01-21   | M  |  |
| 501 76 39-02  | E  |  | 503 20 00-04  | D, H, J, L                                     |  | 505 52 01-25   | M  |  |
| 501 76 44-03  | J  |  | 503 20 00-05  | C, J   |  | 505 52 01-27   | M  |  |
| 501 76 56-02  | J  |  | 503 20 00-20  | J  |  | 505 52 01-31   | M  |  |
| 501 76 64-03  | J  |  | 503 20 64-12  | D  |  | 506 02 72-01   | K  |  |
| 501 76 66-02  | F  | (N)  | 503 21 11-03  | F  | (N)  | 506 03 13-09   | K  |  |
| 501 76 71-01  | F  |  | 503 21 12-01  | B  |  | 720 12 33-00   | A  | (N)  |
| 501 76 80-01  | A  |  | 503 21 14-02  | E  |  | 720 13 14-20   | E  |  |
| 501 76 81-01  | A  |  | 503 21 14-06  | E  |  | 721 12 10-40   | H  |  |
| 501 76 83-01  | E  |  | 503 21 32-45  | D  |  | 721 42 12-26   | E  |  |
| 501 76 88-02  | F  |  | 503 21 82-02  | F  |  | 721 42 30-50   | J  |  |
| 501 76 98-03  | E  |  | 503 22 00-01  | A  |  | 721 42 52-50   | A  |  |
| 501 77 00-02  | D  | (1)  | 503 22 20-01  | F  |  | 725 52 93-56   | A  |  |
| 501 77 07-03  | B  | (N)  | 503 22 62-01  | J  |  | 725 52 95-55   | K  |  |
| 501 77 11-01  | D  |  | 503 23 00-35  | L  |  | 729 22 75-05   | K  |  |
| 501 77 20-02  | E  |  | 503 23 01-05  | H  |  | 729 23 44-01   | L  |  |
| 501 77 21-01  | O  |  | 503 23 51-08  | C  | (N)  | 729 57 13-05   | A  | (N)  |
| 501 77 76-01  | H  |  | 503 25 34-01  | H  |  | 731 23 18-01   | K  |  |
| 501 77 80-02  | E  |  | 503 26 30-11  | E  |  | 734 48 51-01   | K  |  |
| 501 78 13-01  | M  |  | 503 40 47-01  | E  |  | 735 11 64-50   | K  |  |
| 501 79 50-01  | J  |  | 503 41 22-01  | K  |  | 735 31 08-20   | A  | (N)  |
| 501 79 84-01  | F  | (N)  | 503 44 32-01  | E  |  | 735 88 04-00   | G  |  |
| 501 79 90-01  | F  | (N)  | 503 49 32-01  | A  | (N)  | 738 22 02-25   | G  |  |
| 601 79 91-01  | F  | (N)  | 503 49 34-01  | A  | (N)  | 740 44 05-00   | J  |  |
| 501 80 98-01  | E, J   |  | 503 49 81-01  | A  | (N)  |  |  |  |

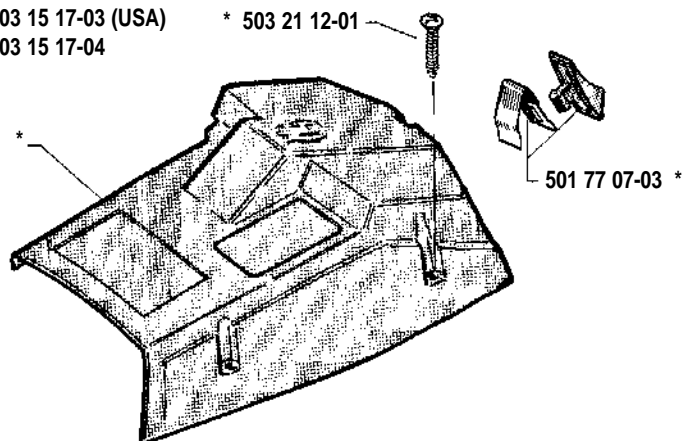
(1) = 501 76 18-02  
Set of gaskets  
Dichtungssatz  
Jeu de joints  
Juego de juntas  
Packningssats

(N) = Newpart  
Neues Teil  
Nouvelle pièce  
Nueva pieza  
Ny det.

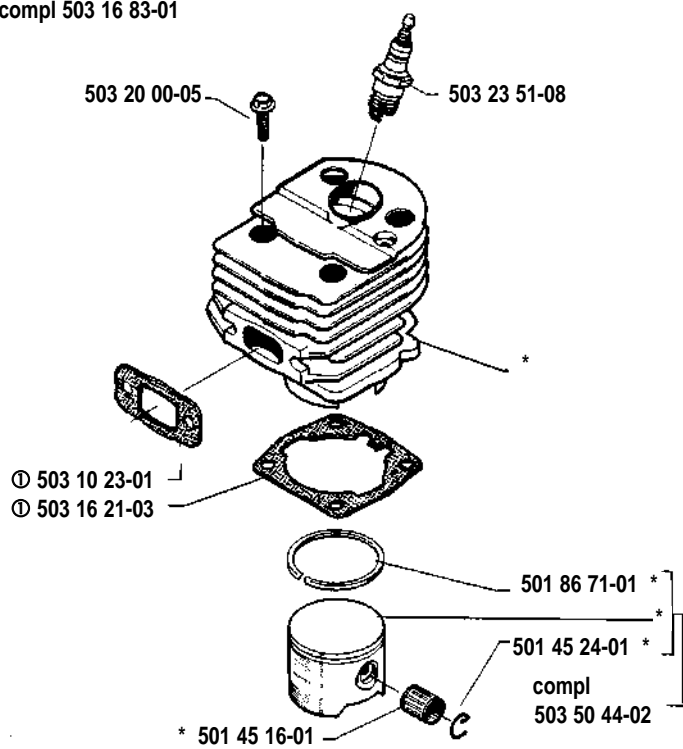
**A** \* compl 503 49 81-01  
② compl 501 87 84-03



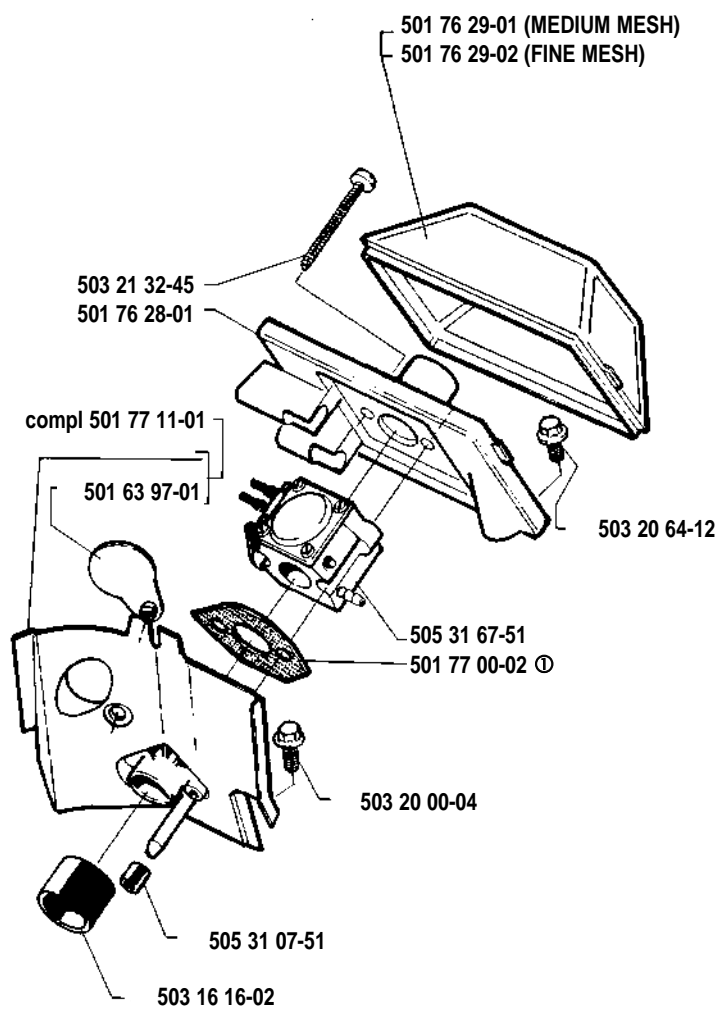
**B** \* compl 503 15 17-03 (USA)  
\* compl 503 15 17-04



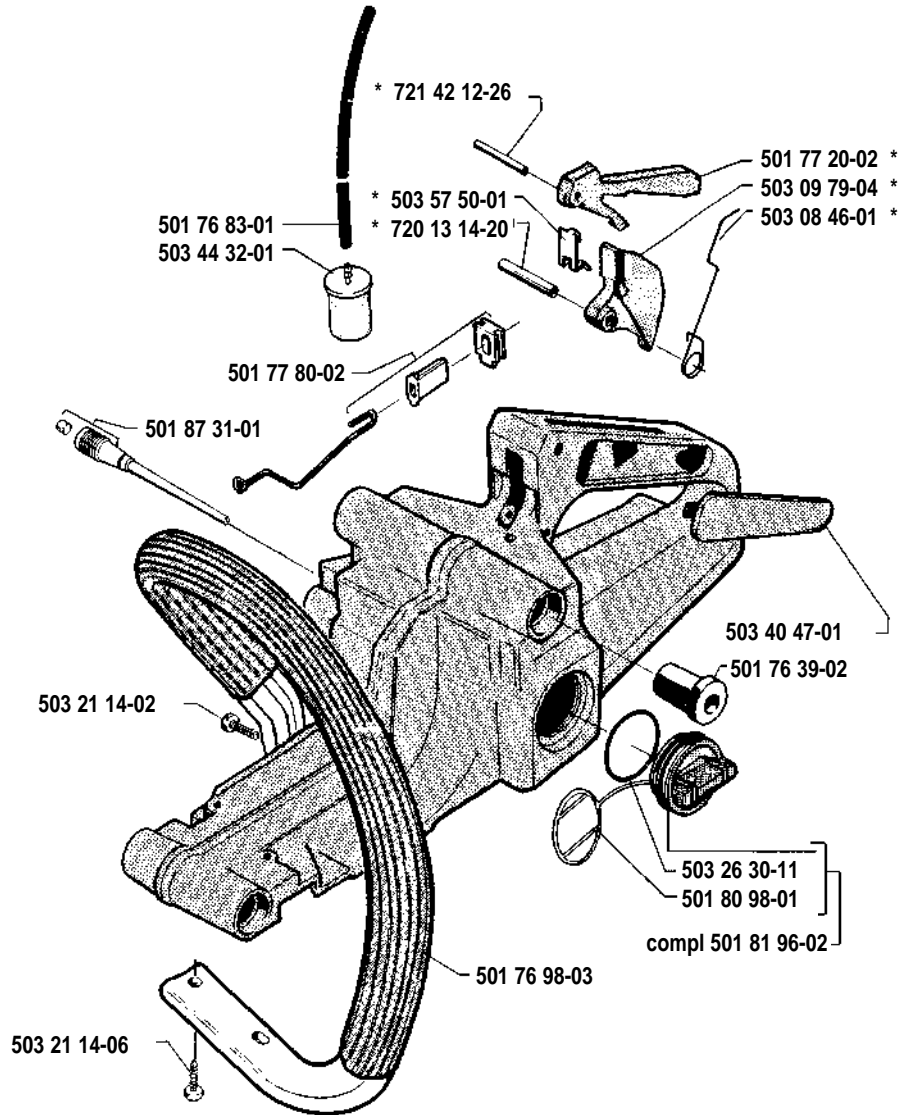
**C** \* compl 503 16 83-01



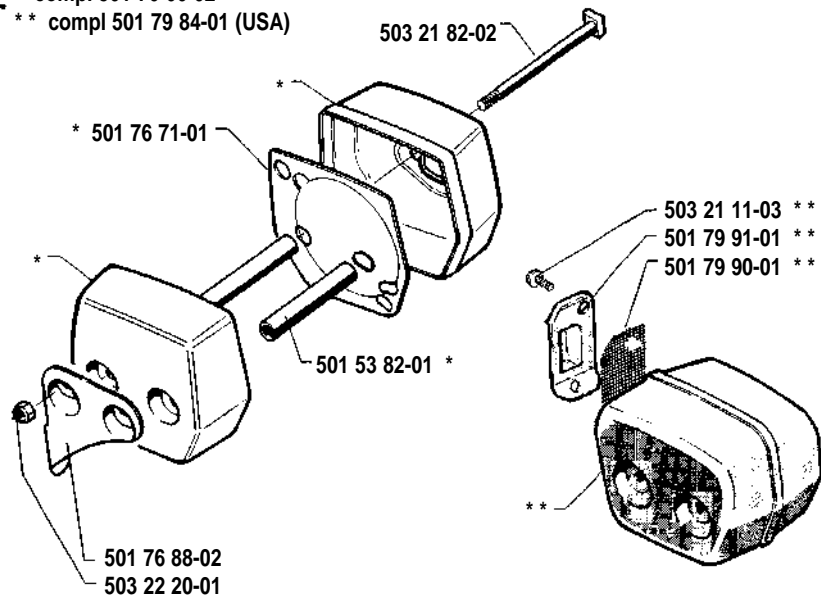
**D**



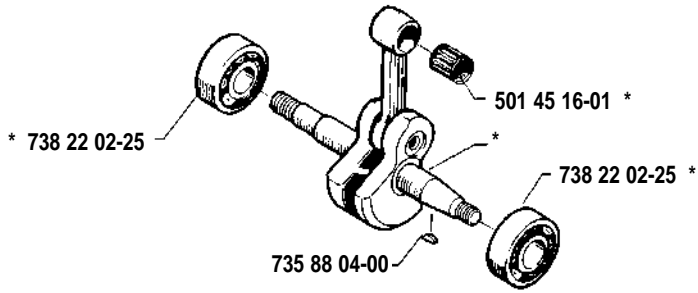
**E** \* compl 501 76 13-06



**F** \* compl 501 76 66-02  
\*\* compl 501 79 84-01 (USA)

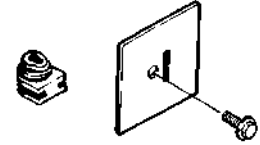


**G** \* compl 503 11 21-01

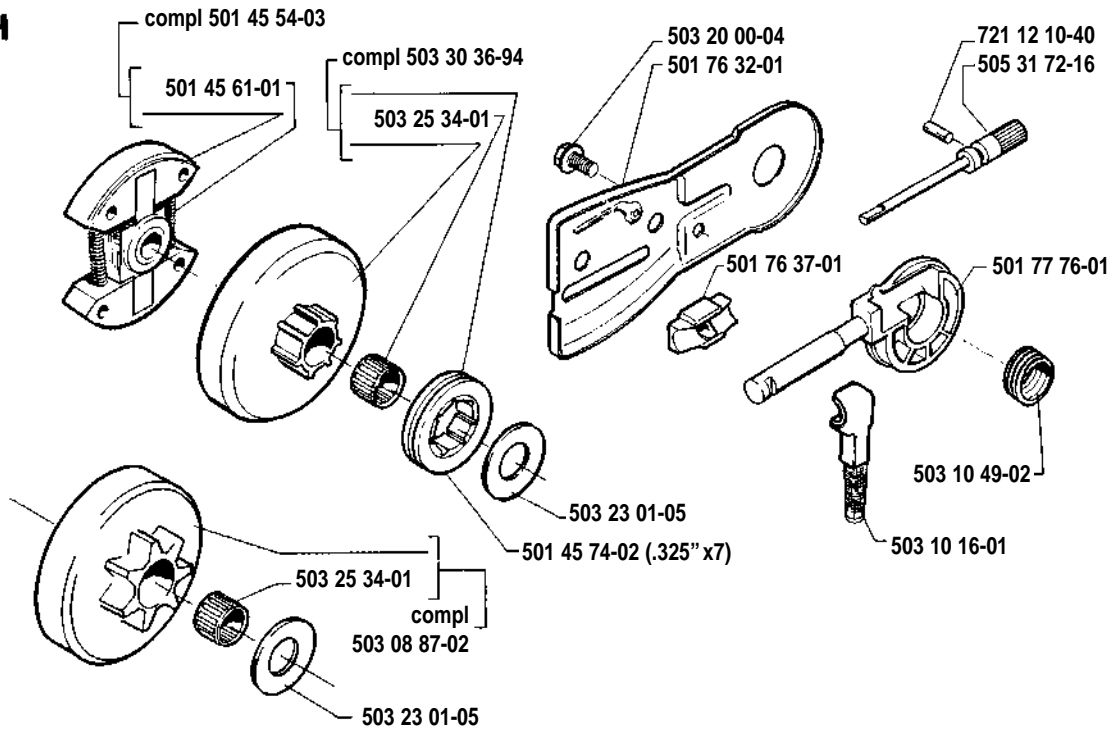


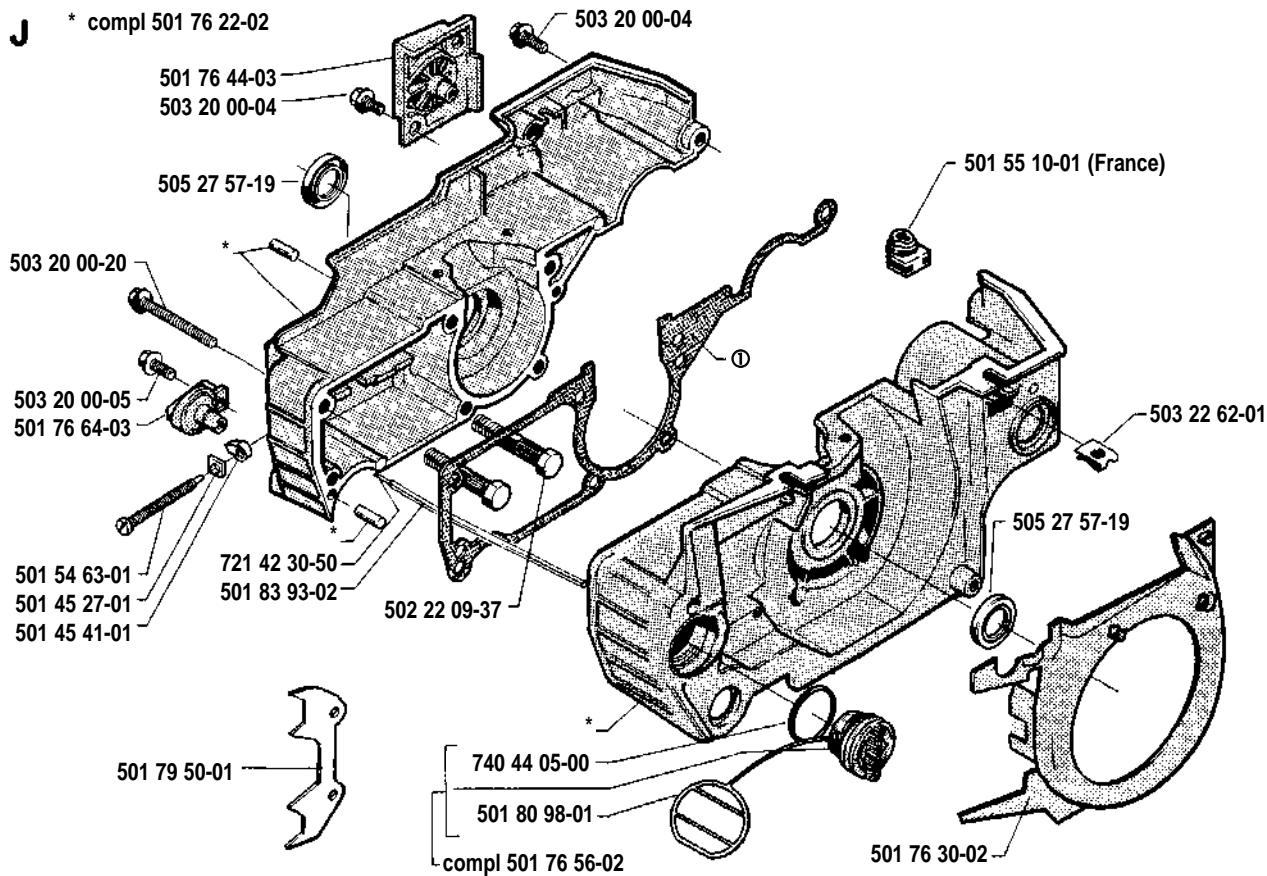
**O** \* compl 501 77 21-01

Vintersats  
Winter equipment  
Winterausrüstung  
Equipment d'hiver

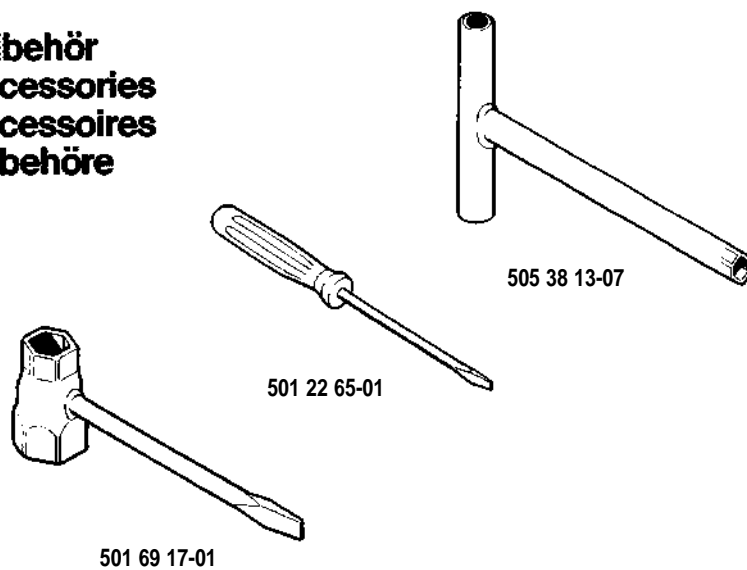


**H**

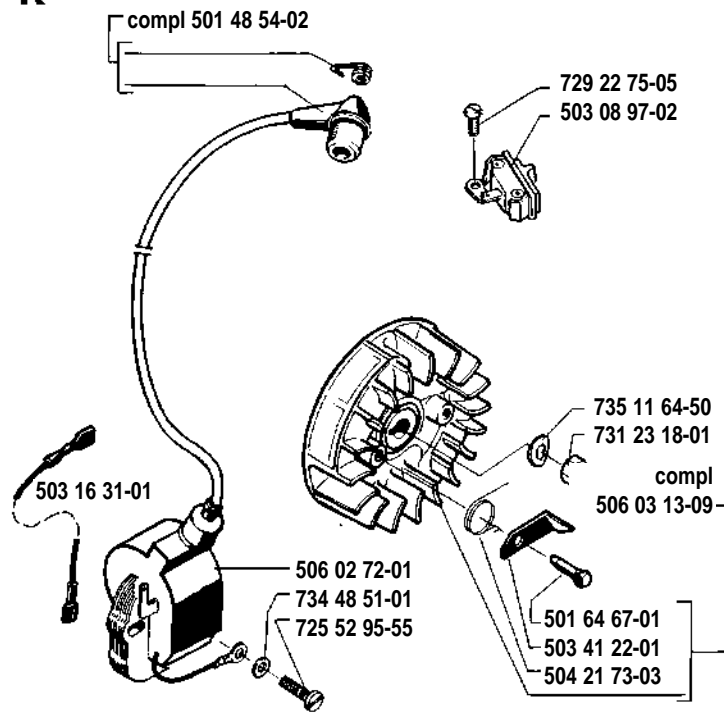




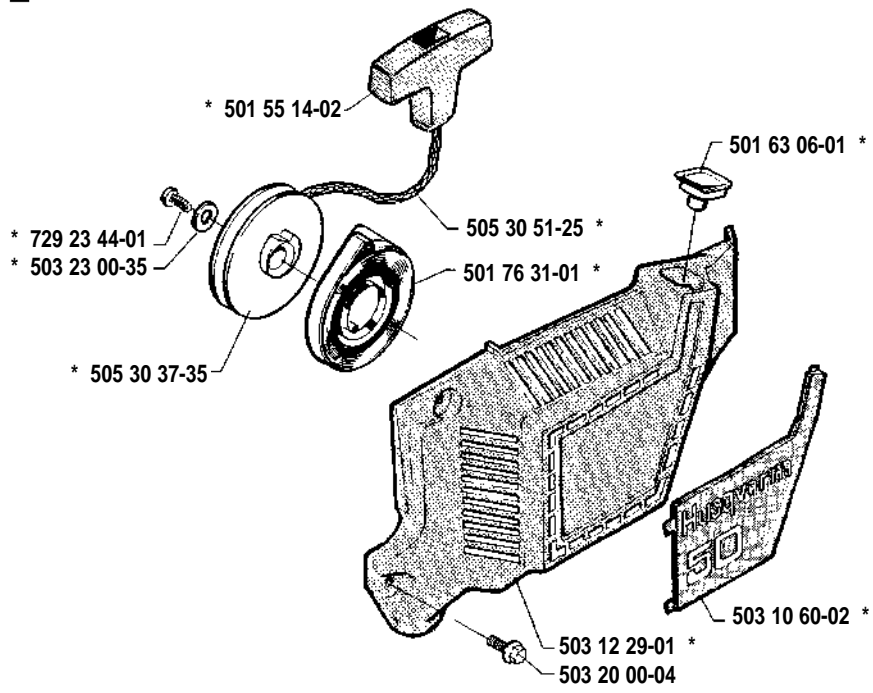
**N**  
**Tillbehör**  
**Accessories**  
**Accessoires**  
**Zubehöre**



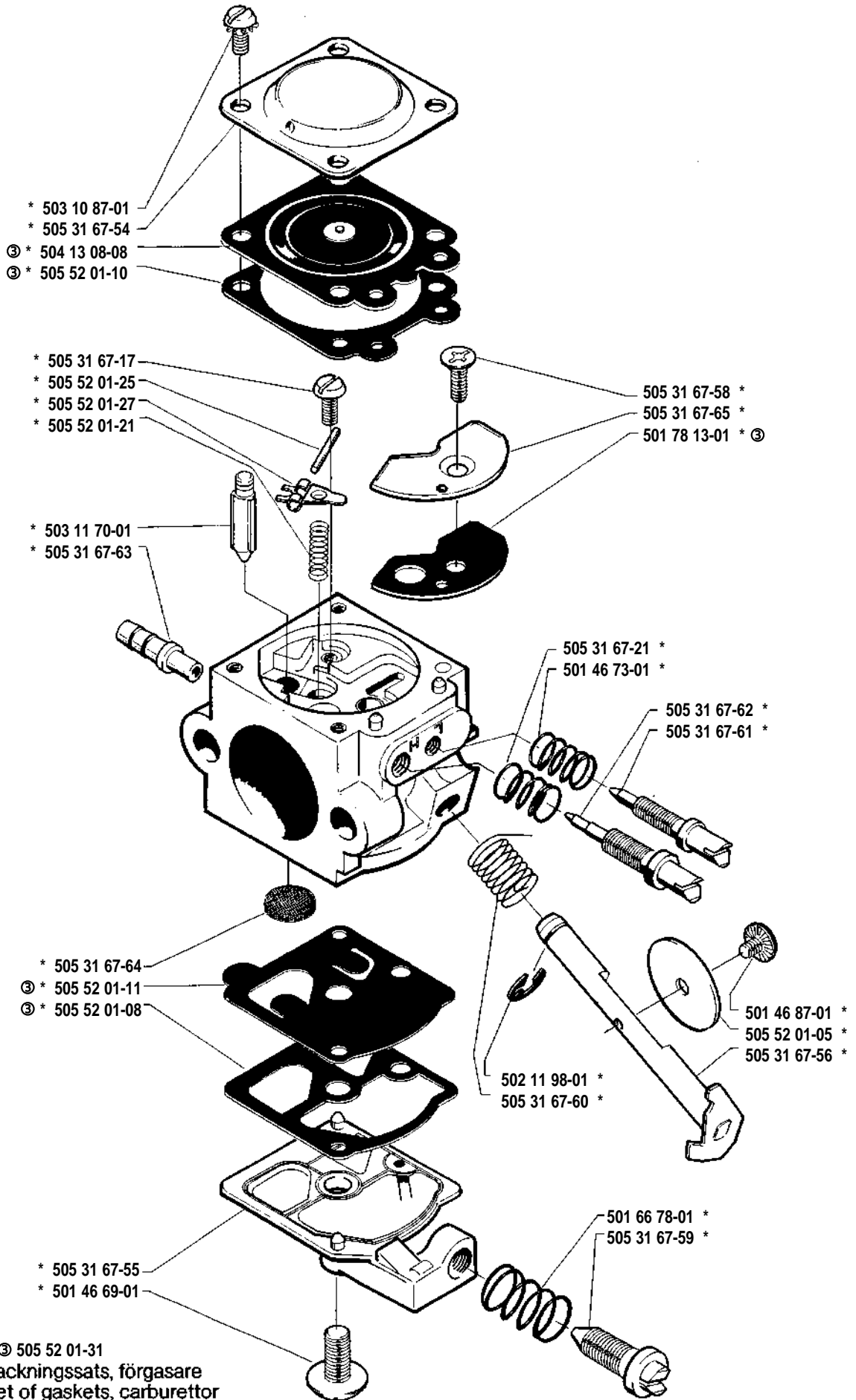
**K**



**L** \* compl 503 15 18-01







③ 505 52 01-31  
 Packningssats, förgasare  
 Set of gaskets, carburettor  
 Dichtungssatz, Vergaser  
 Jeu de joints, carburateur