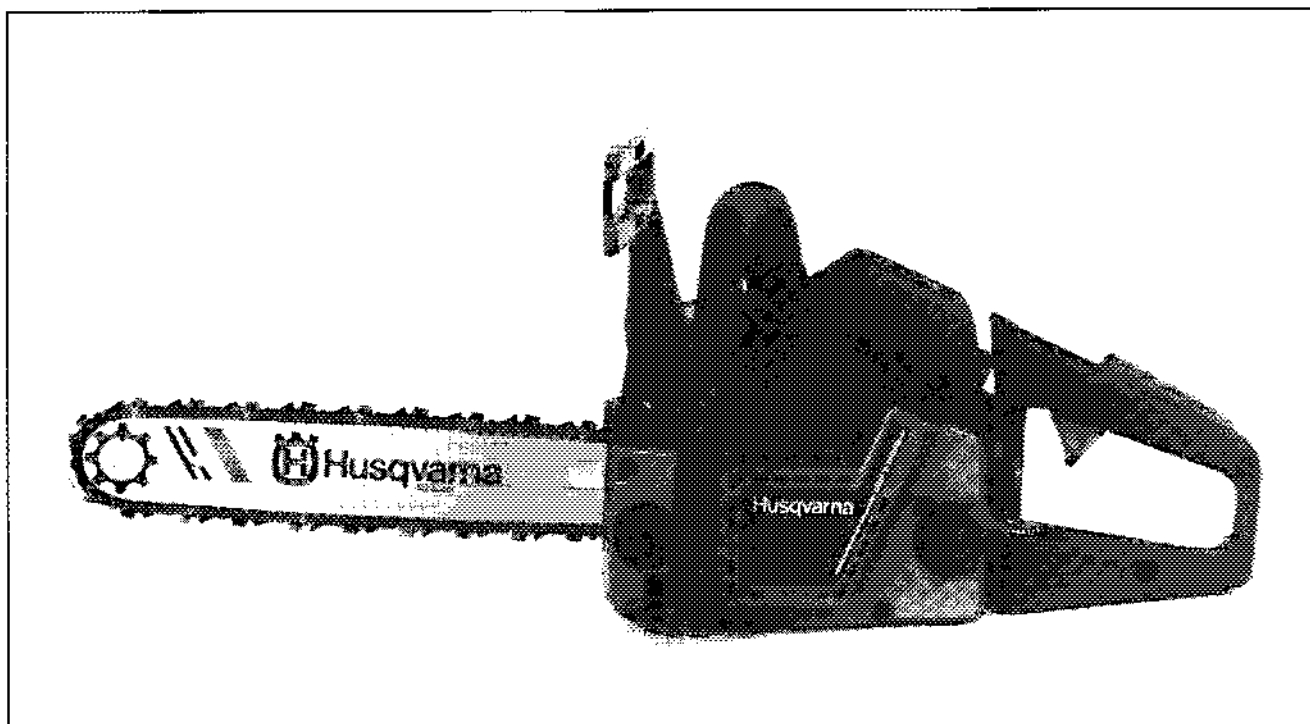


# 45



**1.1991**

**Spare parts**

**Ersatzteile**

**Pièces détachées**

**Repuestos**

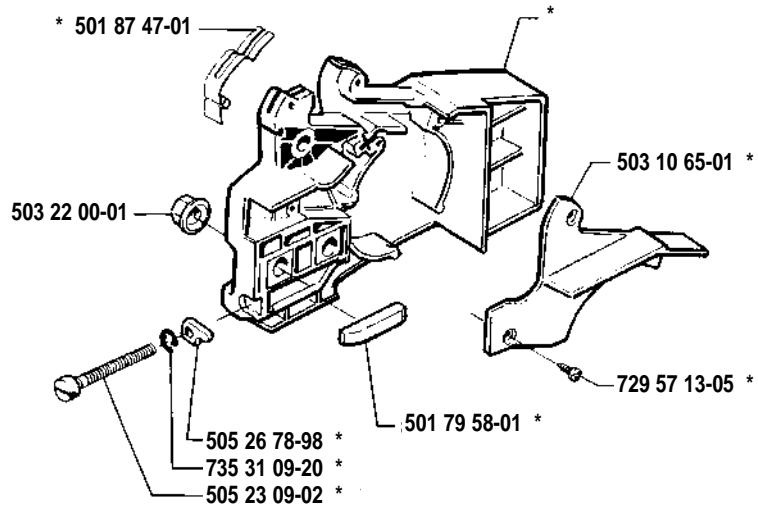
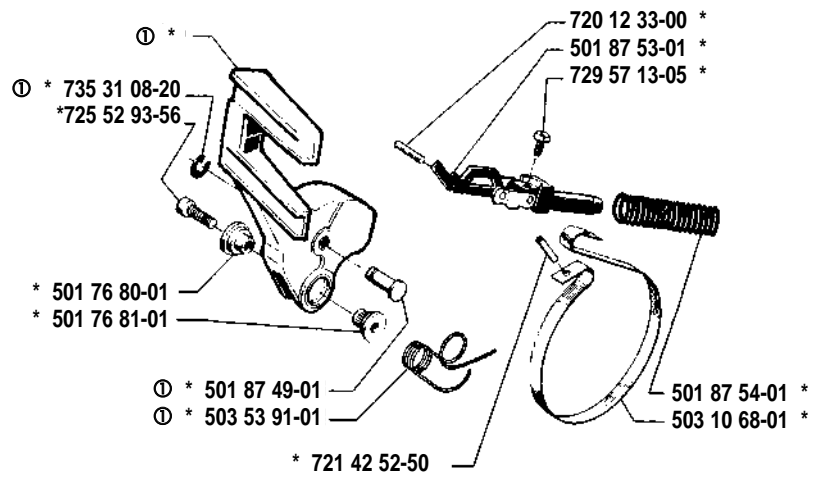
**Reservdelar**

MODEL NUMBER 45

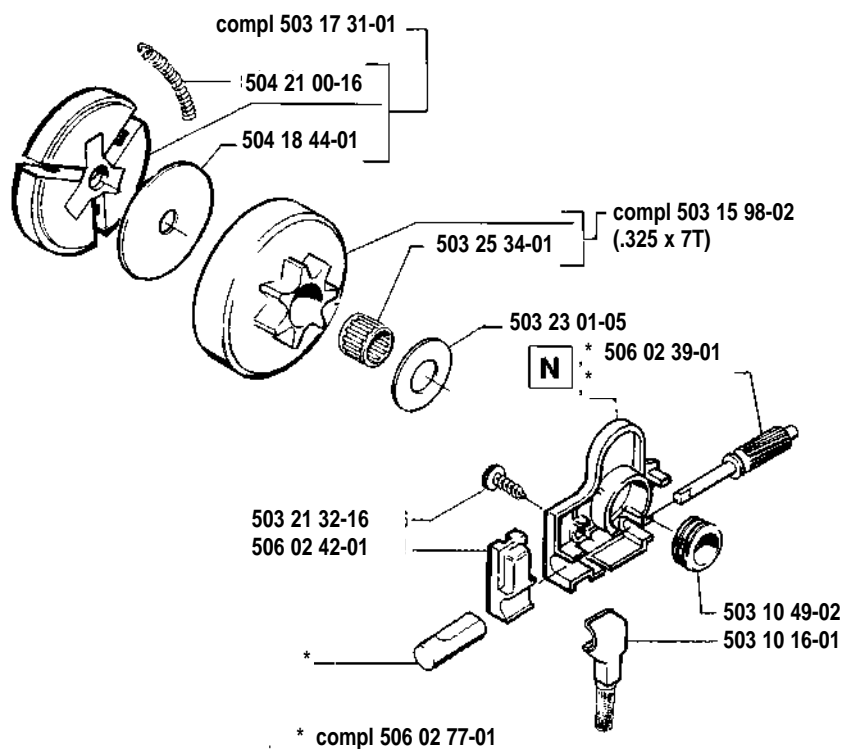
PARTNUMBER	SQUARE	NOTE	PARTNUMBER	SQUARE	NOTE	PARTNUMBER	SQUARE	NOTE	PARTNUMBER	SQUARE	NOTE
501 45 16-01	C,G		503 28 90-05	C		503 53 91-01	A		738 22 02-25	G	
501 48 54-03	H	N	503 41 22-01	H		503 54 39-01	L				
501 52 78-01	D		503 41 31-01	D		503 55 16-01	K	N			
501 63 06-01	L		503 41 32-01	D		503 57 38-02	G				
501 64 67-01	H		503 41 32-03	D		503 57 89-01	K	N			
501 69 17-01	N		503 44 06-01	H		503 58 05-01	H	N			
501 76 31-01	L		503 44 08-02	C		503 58 08-01	H	N			
501 76 80-01	A		503 44 10-01	C		503 59 46-04	H	N			
501 76 81-01	A		503 44 32-01	K		503 59 51-01	F				
501 76 83-18	K		503 47 86-01	M		503 59 51-02	F				
501 76 83-24	K		503 47 87-01	M		503 63 12-02	L	N			
501 77 00-02	D		503 47 88-01	M		504 18 44-01	J				
501 79 58-01	A		503 47 89-01	M		504 21 00-16	J				
501 87 47-01	A		503 47 90-01	M		504 21 73-03	H				
501 87 49-01	A		503 47 91-01	M		504 35 72-01	K				
501 87 53-01	A		503 47 93-01	M		505 23 09-02	A				
501 87 54-01	A		503 47 94-01	M		505 26 78-95	A				
502 71 27-01	N		503 47 95-01	M		505 27 57-19	G				
503 10 16-01	J		503 47 96-01	M		505 30 51-25	L				
503 10 23-01	F		503 47 97-01	M		505 31 07-51	C,D				
503 10 49-02	J		503 47 98-01	M		506 01 19-01	F				
503 10 52-02	D		503 47 99-01	M		506 01 20-01	F				
503 10 56-01	E		503 48 00-01	M		506 01 20-02	F				
503 10 57-01	E		503 48 01-01	M		506 01 30-01	K				
503 10 59-05	L	N	503 48 02-01	M		506 01 31-01	K				
503 10 61-02	B		503 48 03-01	M		506 01 32-02	D				
503 10 63-01	A		503 48 04-01	M		506 01 35-02	D				
503 10 65-01	A		503 48 05-01	M		506 01 37-01	H	N			
503 10 66-02	A		503 48 06-01	M		506 01 40-03	E				
503 10 68-01	A		503 48 07-01	M		506 01 44-02	E				
503 10 69-02	K		503 48 08-01	M		506 01 45-04	E				
503 11 92-02	E		503 48 09-01	M		506 01 46-01	E				
503 15 98-02	J		503 48 10-01	M		506 01 47-01	E				
503 17 31-01	J		503 48 11-01	M		506 01 49-01	N				
503 20 01-02	K		503 48 13-01	M		506 01 64-01	L				
503 20 55-20	H		503 48 14-01	M		506 02 39-01	J				
503 20 80-06	C		503 48 15-01	M		506 02 39-02	N	N			
503 21 32-16	DEHJKL		503 48 16-01	M		506 02 42-01	J				
503 21 32-45	D		503 48 17-01	M		506 02 75-05	K				
503 21 82-01	F		503 48 18-01	M		506 02 77-01	J				
503 22 00-01	A		503 48 19-01	M		506 03 16-04	K				
503 22 10-11	H		503 48 20-01	M		506 05 65-02	G	N			
503 22 20-01	F		503 48 21-01	M		720 12 33-00	A				
503 22 70-01	B		503 48 65-02	H		721 42 52-50	A				
503 23 00-35	L		503 49 25-01	K		725 52 93-56	A				
503 23 01-01	H		503 49 82-02	K		725 53 29-55	E				
503 23 01-05	J		503 50 20-02	B		729 57 13-05	A				
503 23 51-08	C		503 50 52-02	E		735 31 08-20	A				
503 25 34-01	J		503 51 28-01	H	N	735 31 09-20	A				
503 28 31-01	O,M		503 52 74-01	N	N	737 44 10-00	C				

N=NEW PART  
 NEUES TEIL  
 NOUVELLE PIECE  
 NUEVA PIEZA  
 NY DETALJ

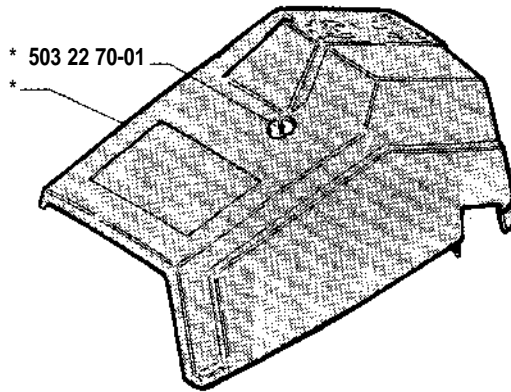
**A** \* compl 503 10 63-01  
 ① compl 503 10 66-02



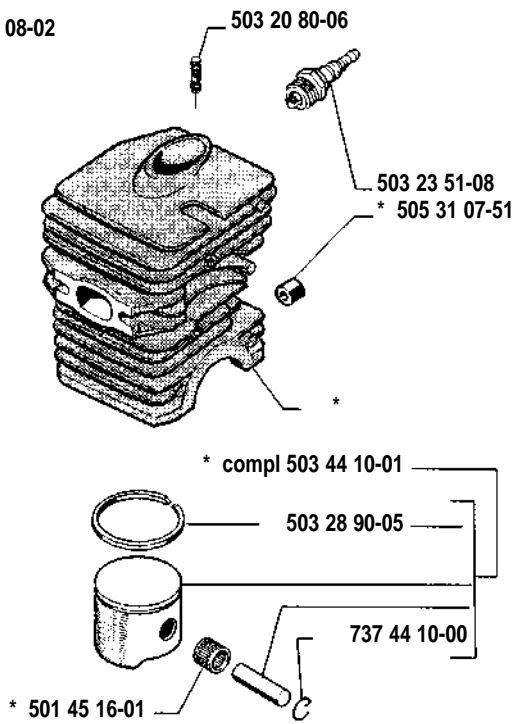
**J**



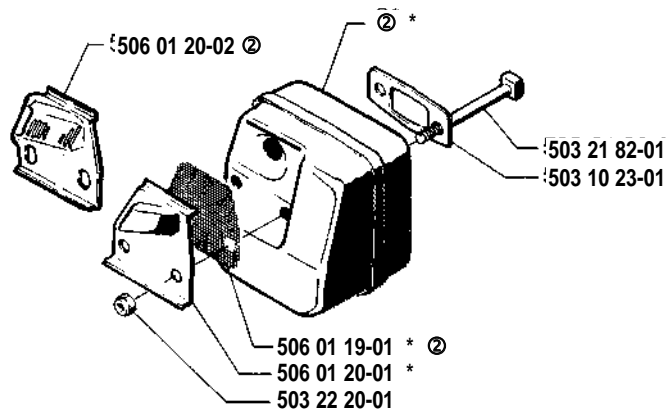
**B** \* compl 503 10 61-02  
 \* compl 503 50 20-02 (USA)



**C** \* compl 503 44 08-02

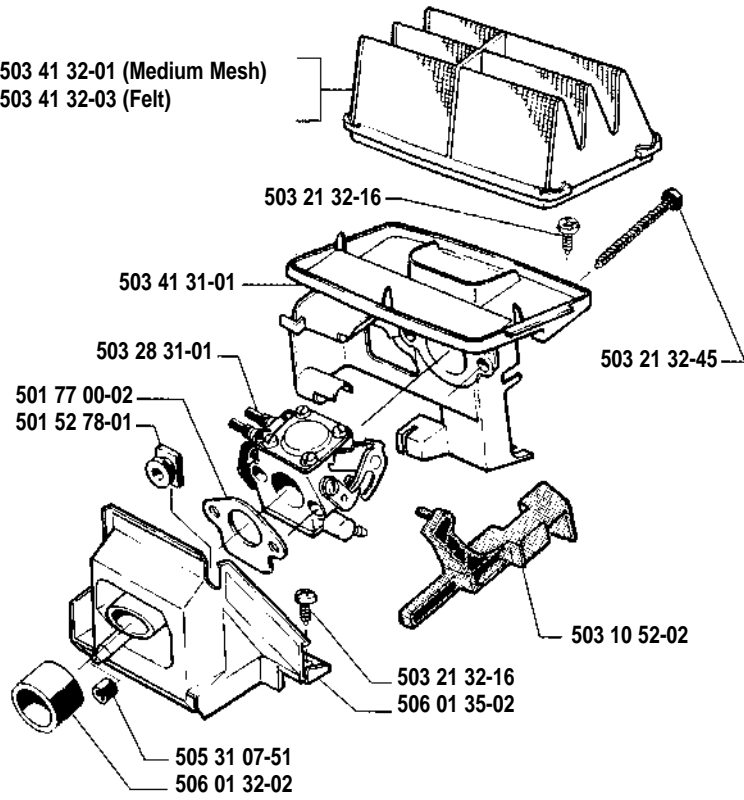


**F** \* compl 503 59 51-01  
 Ⓞ compl 503 59 51-02 (USA)

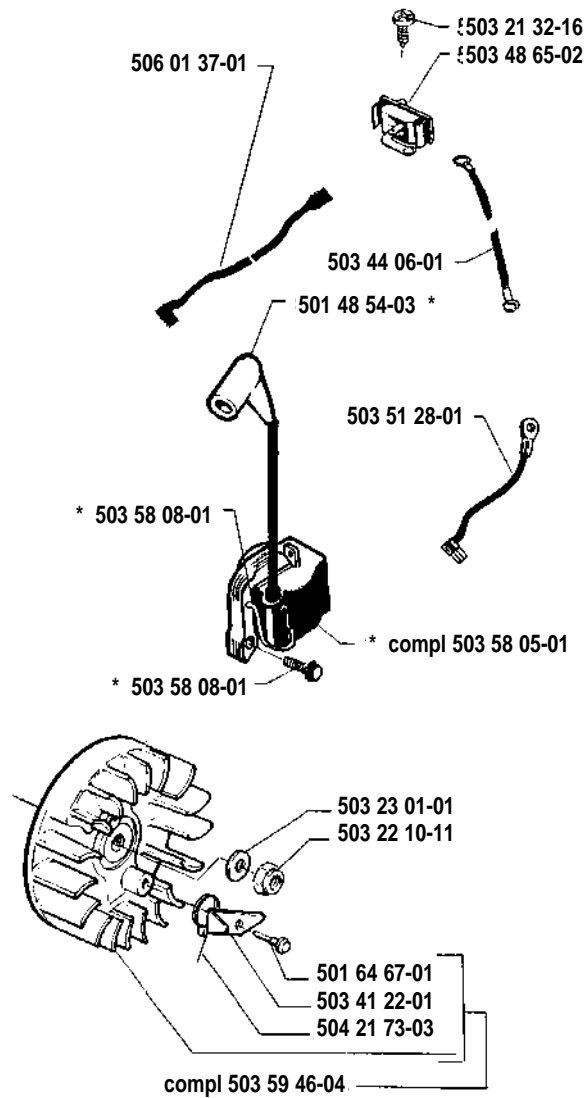


D

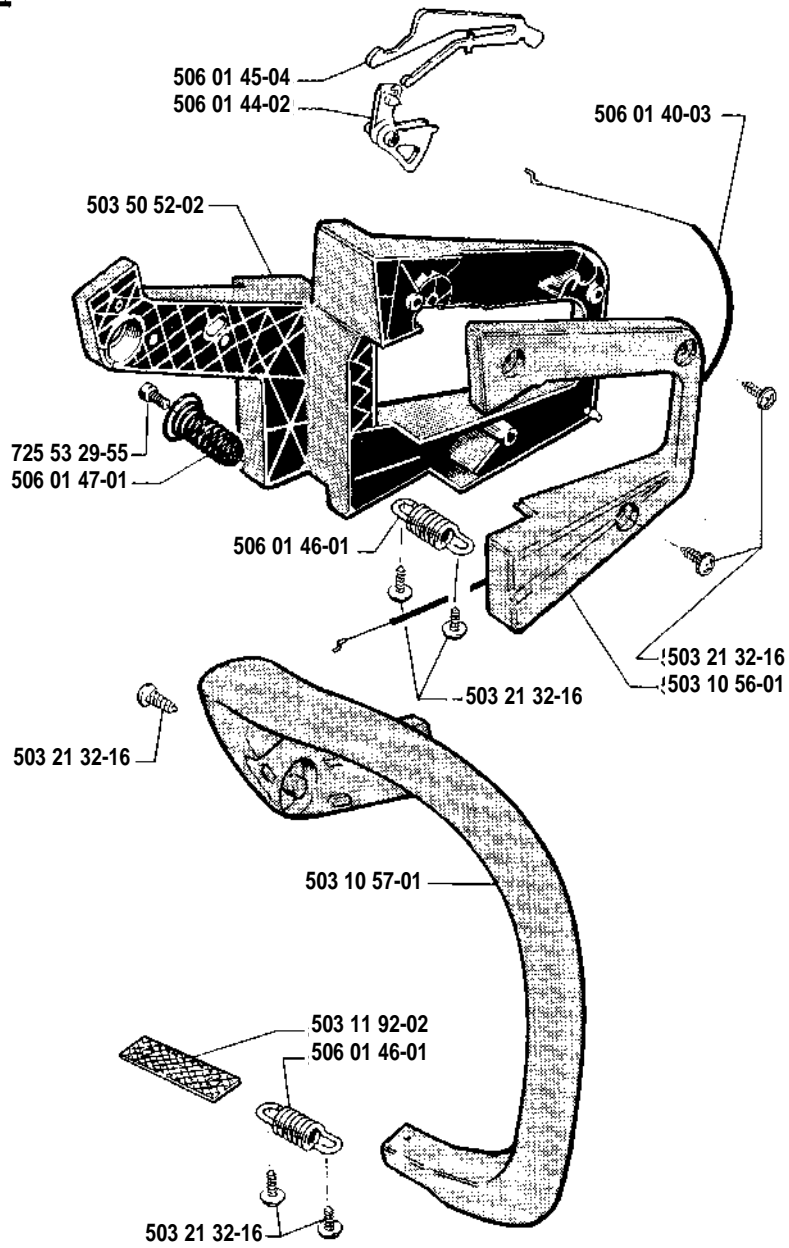
503 41 32-01 (Medium Mesh)  
503 41 32-03 (Felt)



H

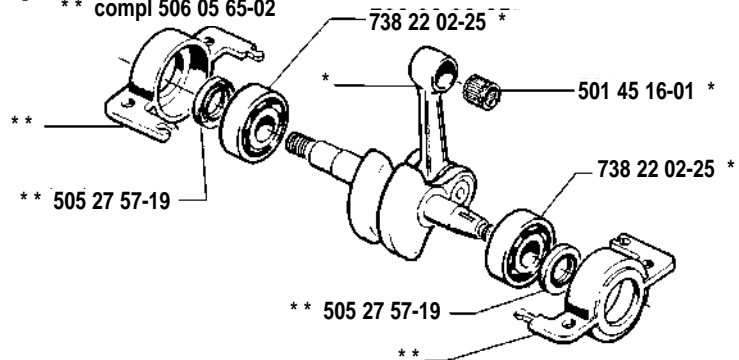


E

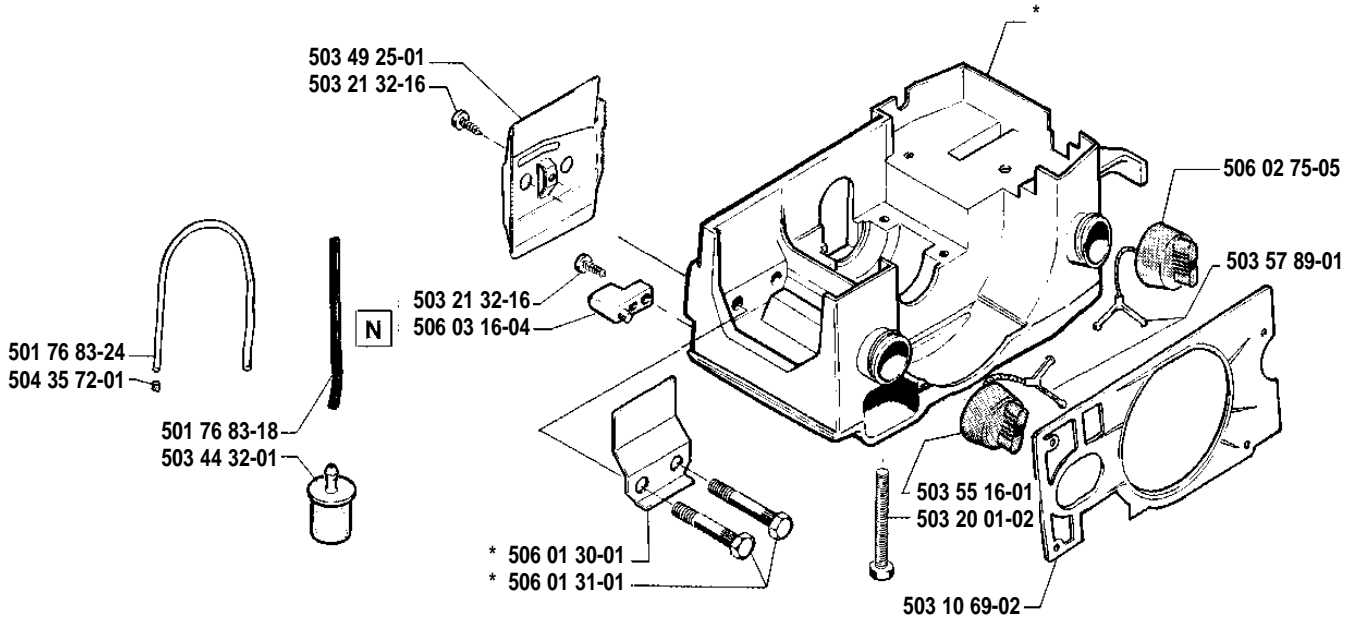


G

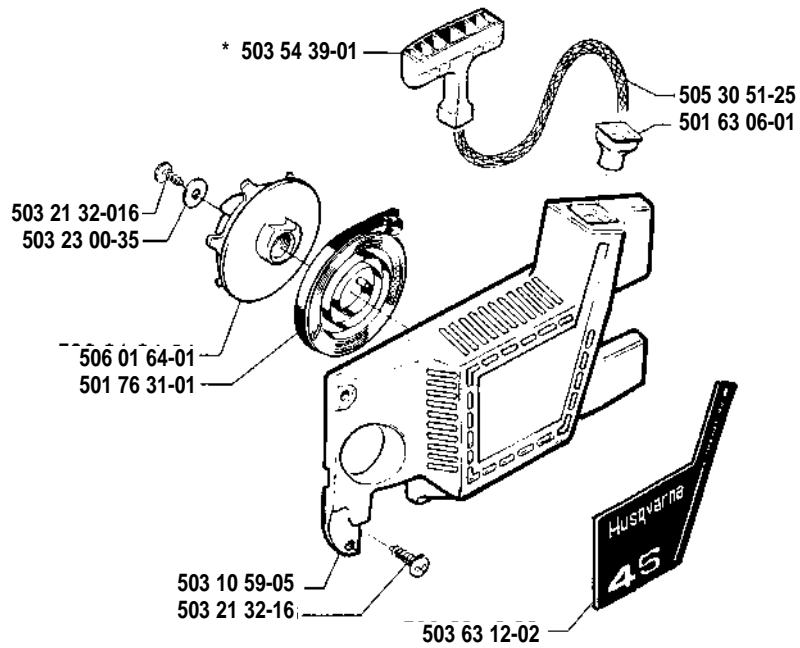
\* compl 503 57 38-02  
\*\* compl 506 05 65-02



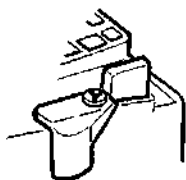
**K** \* compl 503 49 82-02



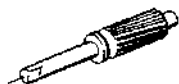
**L**



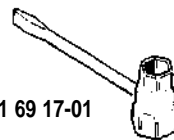
**N** Accessories  
Zubehöre  
Accessoires  
Acessorios  
Tillbehör



503 52 74-01



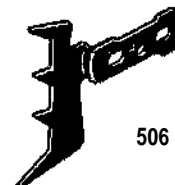
506 02 39-02  
VEG.OIL



501 69 17-01



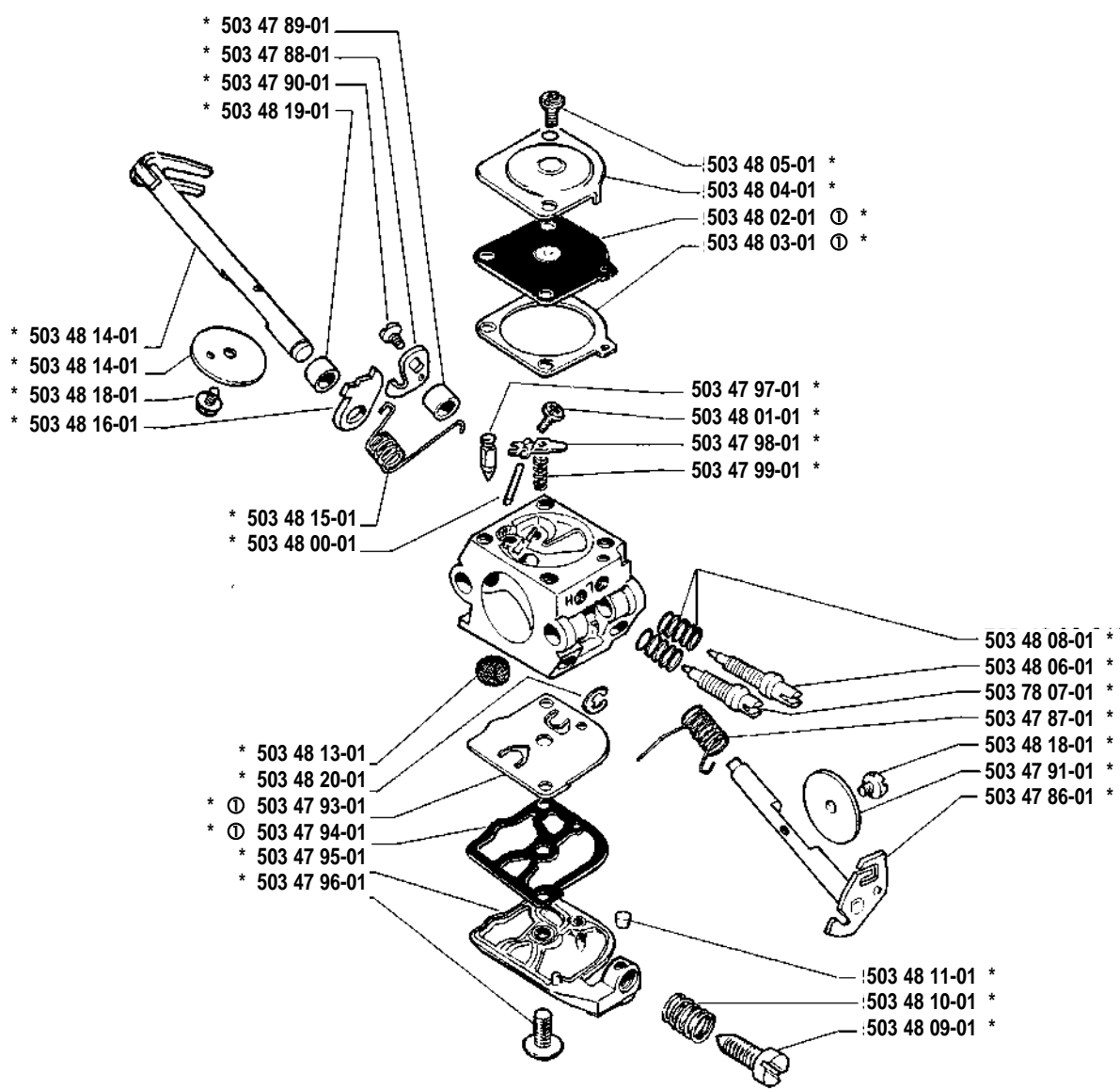
502 71 27-01



506 01 49-01

**M** \* compl 503 28 31-01

# ZAMA C1Q-EL1



① 503 48 21-01  
**Set of gaskets**  
**Dichtungssatz**  
**Jeu de joints**  
**Juego de Juntas**  
**Packningssatz**