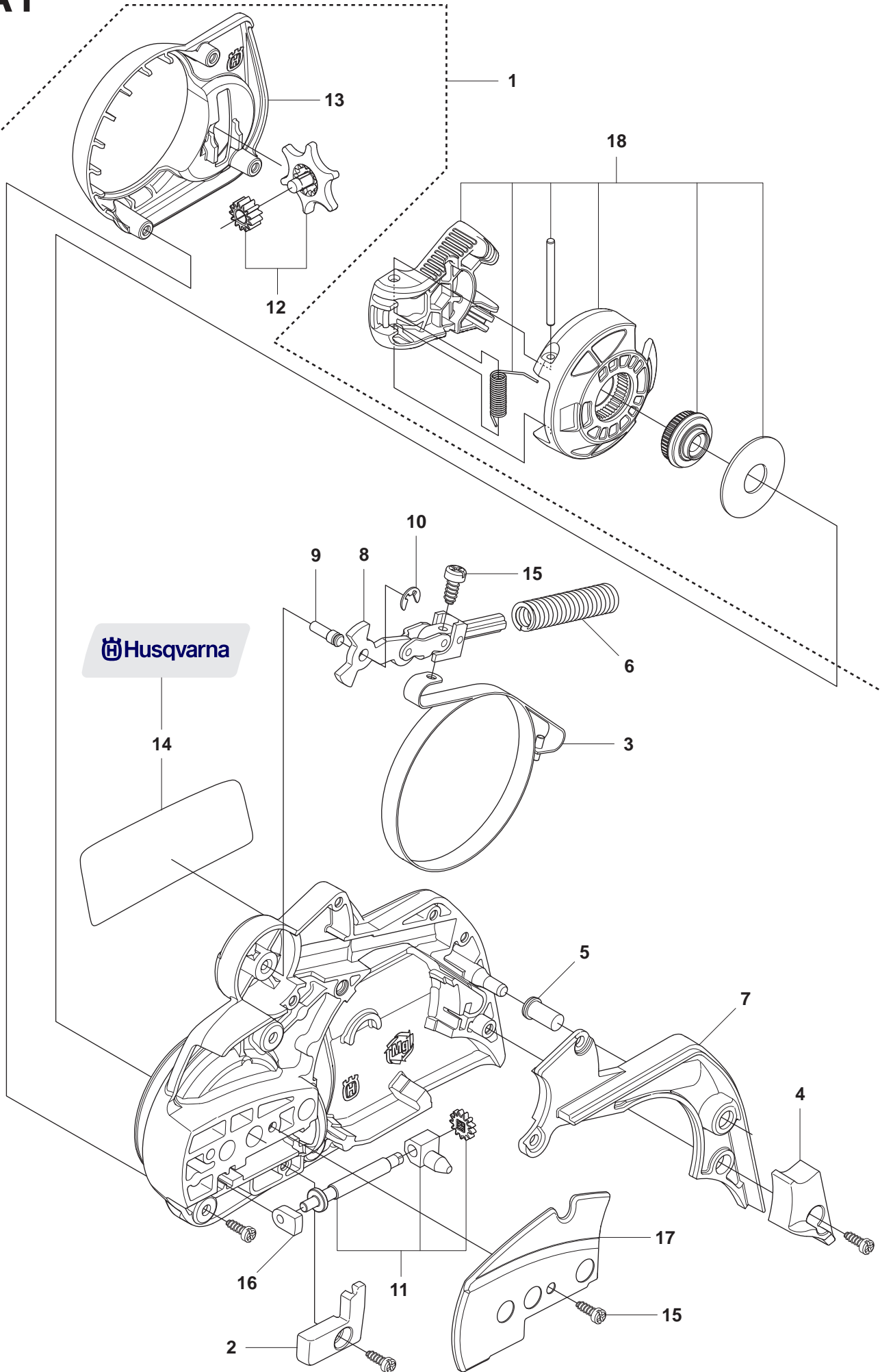


445, 445e 450, 450e

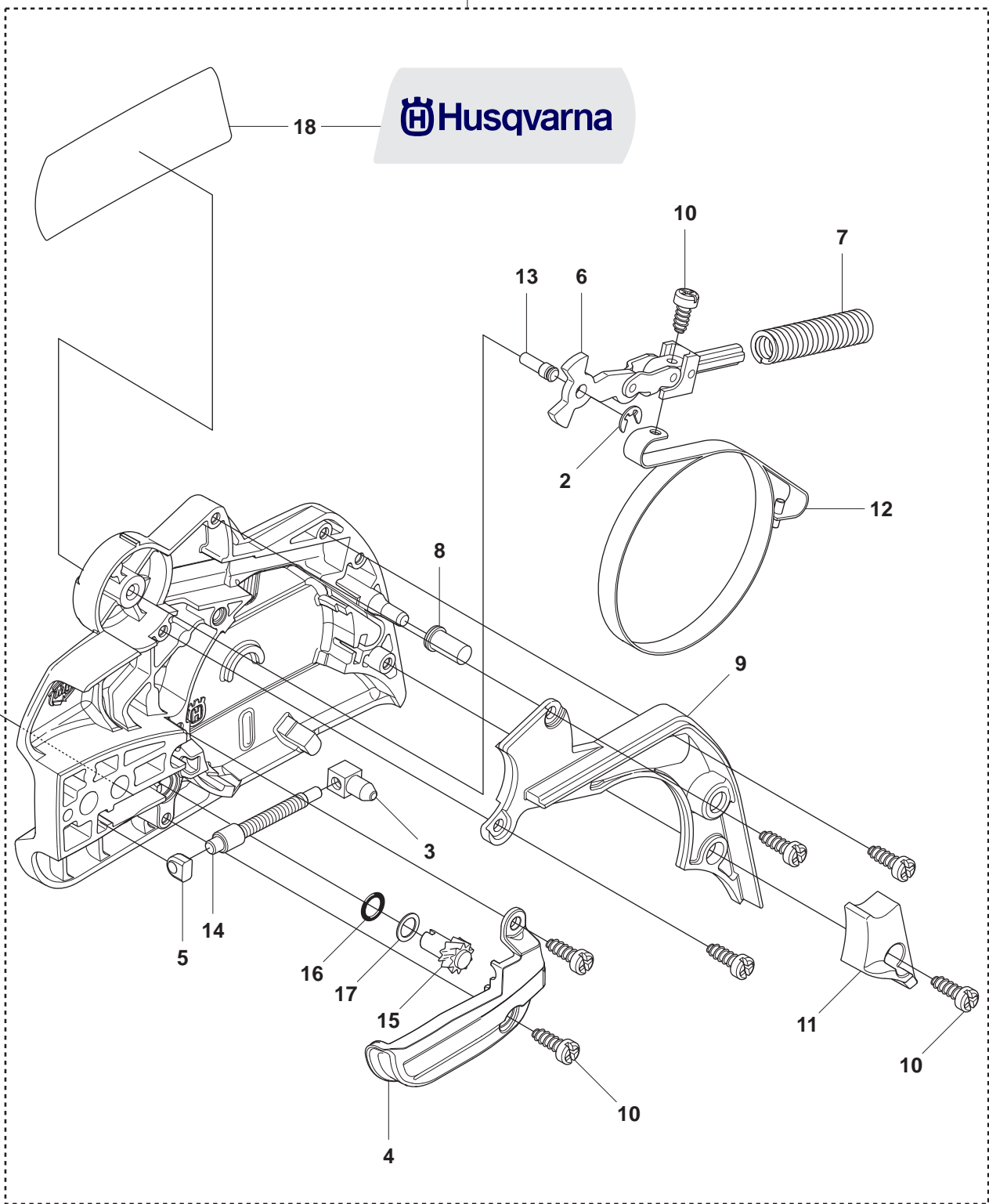
Spare parts

A1 445e, 450e



Pos.	Compl No.	Part No.	Quantity	Notes
1		544 21 72-01	1	
2	544 21 72-01	537 34 76-01	1	
3	544 21 72-01	537 04 30-01	1	
4	544 21 72-01	544 08 30-01	1	
5	544 21 72-01	503 85 52-01	1	
6	544 21 72-01	503 46 59-01	1	
7	544 21 72-01	544 08 29-01	1	
8	544 21 72-01	503 89 08-02	1	
9	544 21 72-01	503 89 29-01	1	
10	544 21 72-01	735 31 08-20	1	
11	544 21 72-01	537 39 29-01	1	
12	544 21 72-01	537 34 72-01	1	
13	544 21 72-01	537 39 26-01	1	
14	544 21 72-01	544 35 75-01	1	
15	544 21 72-01	503 21 70-10	10	
16	544 21 72-01	544 84 55-01	1	
17	544 21 72-01	544 25 05-01	1	
18		537 34 78-01	1	

1

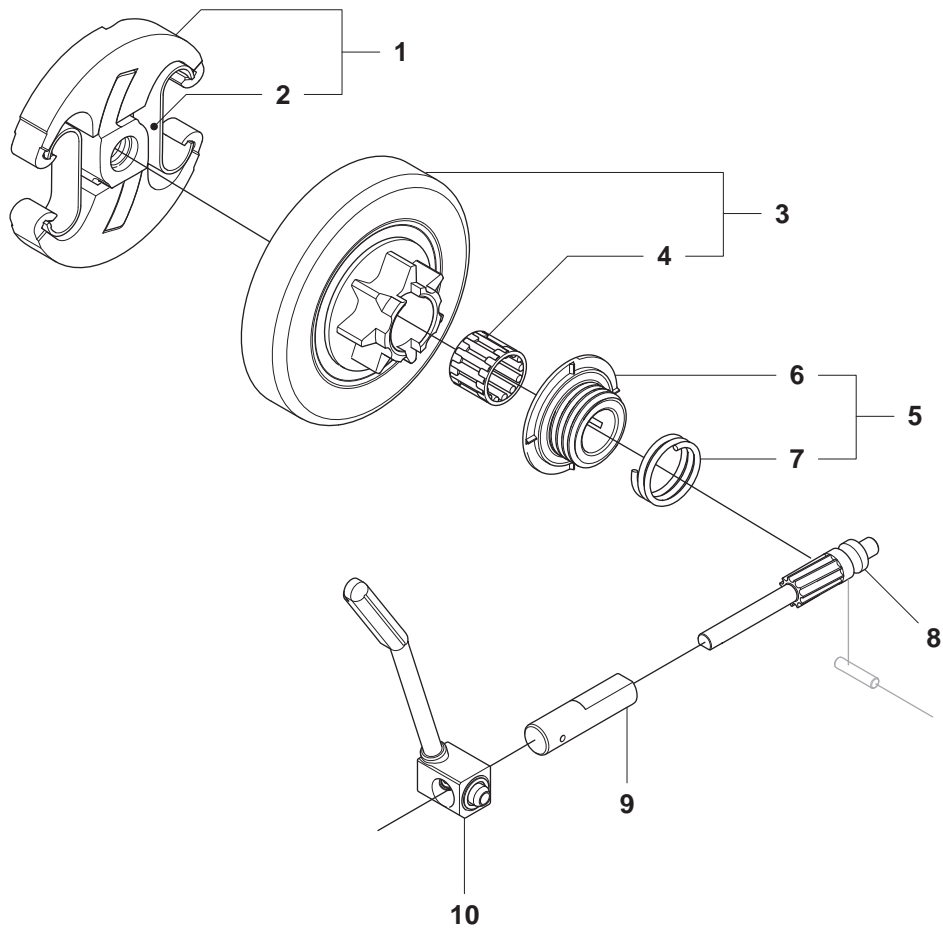


 Husqvarna

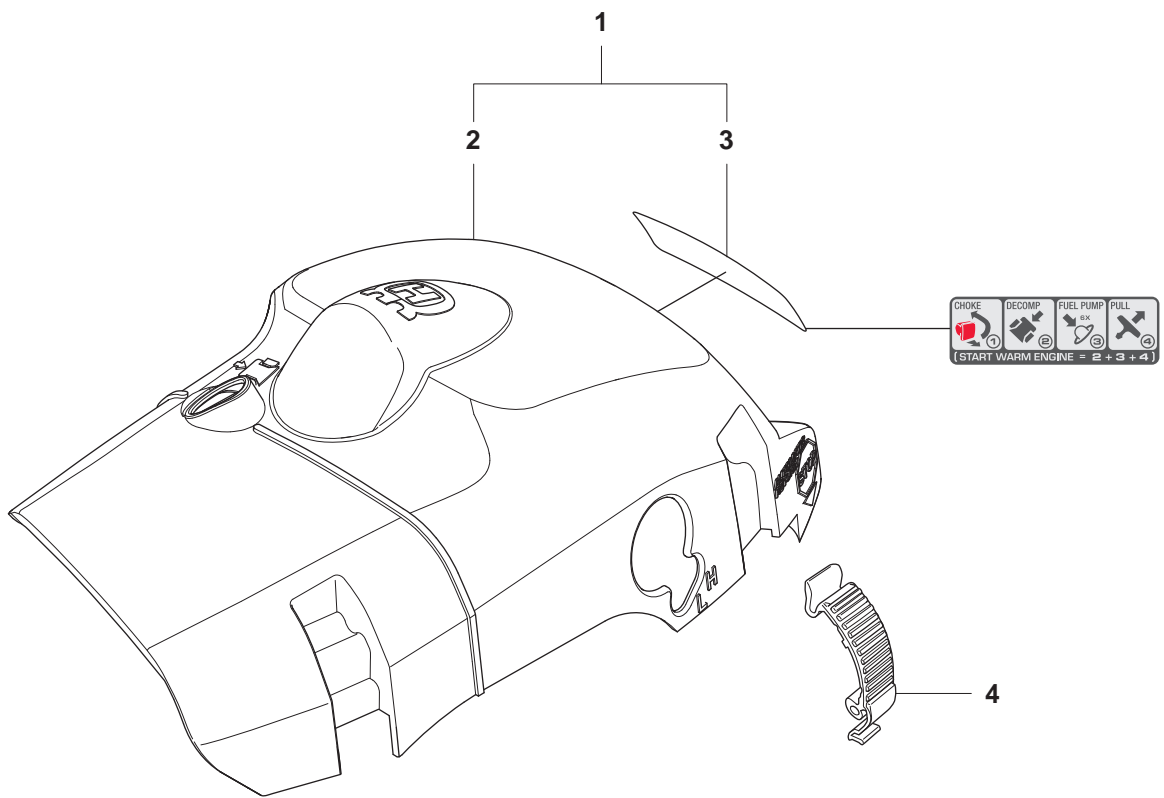
Pos.	Compl No.	Part No.	Quantity	Notes
1		544 09 79-01	1	
2	544 09 79-01	735 31 08-20	1	
3	544 09 79-01	537 28 66-01	1	
4	544 09 79-01	540 06 33-01	1	
5	544 09 79-01	537 01 74-01	1	
6	544 09 79-01	503 89 08-02	1	
7	544 09 79-01	503 46 59-01	1	
8	544 09 79-01	503 85 52-01	1	
9	544 09 79-01	544 08 29-01	1	
10	544 09 79-01	503 21 70-10	7	
11	544 09 79-01	544 08 30-01	1	
12	544 09 79-01	537 04 30-01	1	
13	544 09 79-01	503 89 29-01	1	
14	544 09 79-01	537 39 70-01	1	
15	544 09 79-01	537 07 94-02	1	
16	544 09 79-01	740 48 07-02	1	
17	544 09 79-01	503 23 00-63	1	
18	544 09 79-01	544 37 68-01	1	
19		503 22 00-01	1	

B

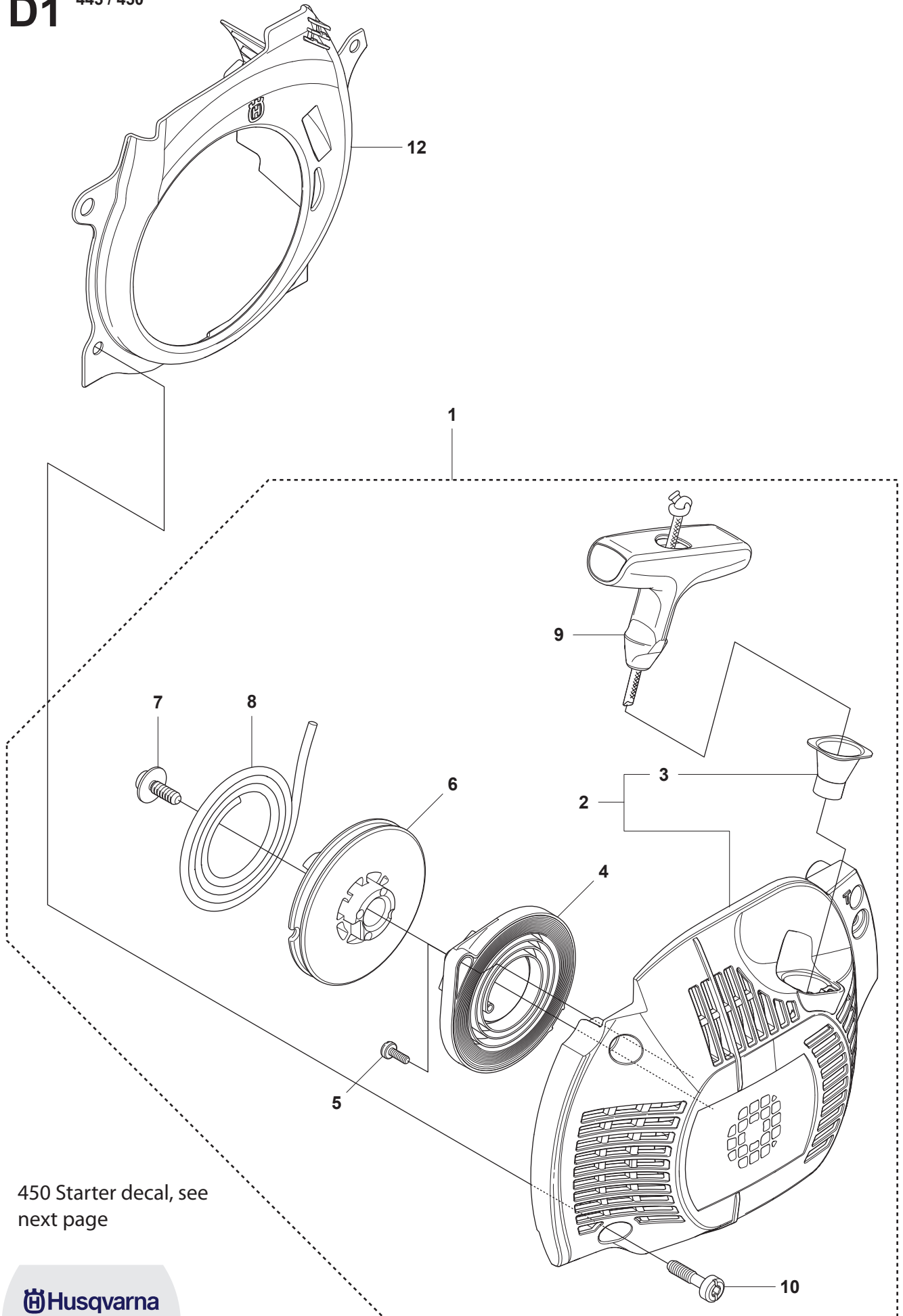
445, 445e, 450e



Pos.	Compl No.	Part No.	Quantity	Notes
1		537 11 05-03	1	
2	537 11 05-03	537 35 91-01	2	
3		503 87 30-72	1	
4	503 87 30-72	503 25 52-01	1	
5		503 93 18-01	1	
6	503 93 18-01	503 93 19-01	1	
7	503 93 18-01	503 93 20-01	1	
8		503 93 21-01	1	
9		537 15 48-01	1	
10		544 08 42-01	1	



Pos.	Compl No.	Part No.	Quantity	Notes
1		544 34 83-01	1	
2	544 34 83-01	544 07 95-01	1	
3	544 34 83-01	544 37 53-01	1	
4		503 89 47-01	3	



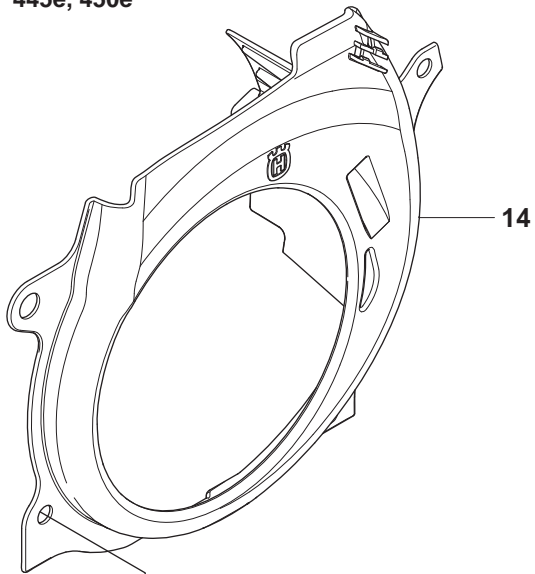
450 Starter decal, see next page



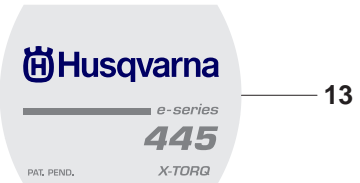
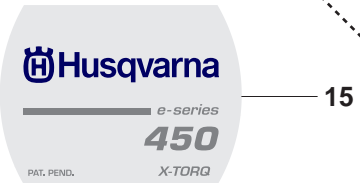
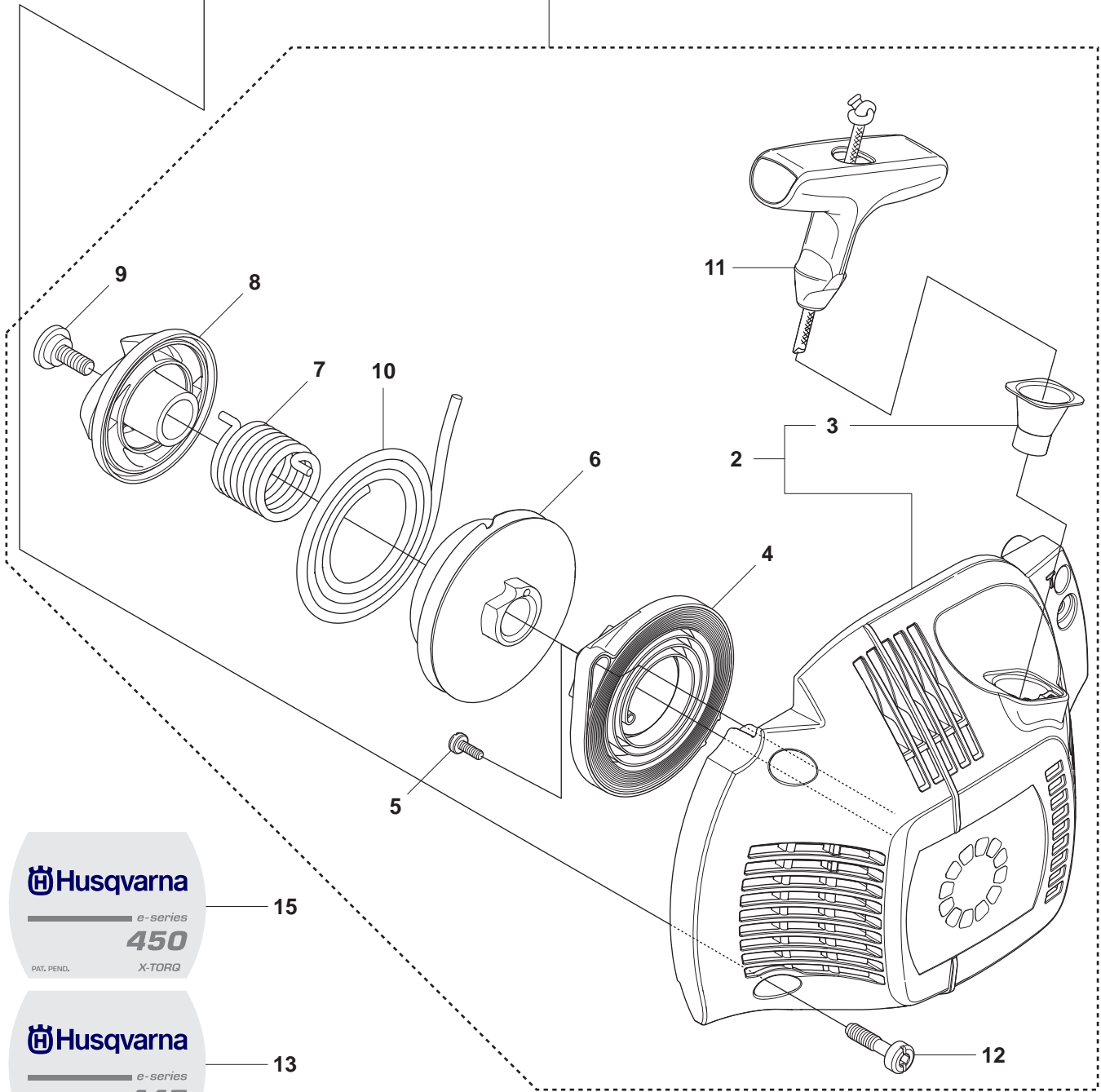
Pos.	Compl No.	Part No.	Quantity	Notes
1		544 07 16-02	1	
2	544 07 16-02	544 07 15-01	1	
3	544 07 16-02	537 28 32-01	1	
4	544 07 16-02	537 24 17-01	1	
5	544 07 16-02	503 21 28-10	2	
6	544 07 16-02	537 09 25-01	1	
7	544 07 16-02	503 21 77-16	1	
8	544 07 16-02	505 30 51-25	1	
9	544 07 16-02	537 23 25-01	1	
10	544 07 16-02	503 21 73-21	4	
11		544 37 70-01	1	
12		544 08 15-01	1	

450 starter decal p/n 544 37 70-02

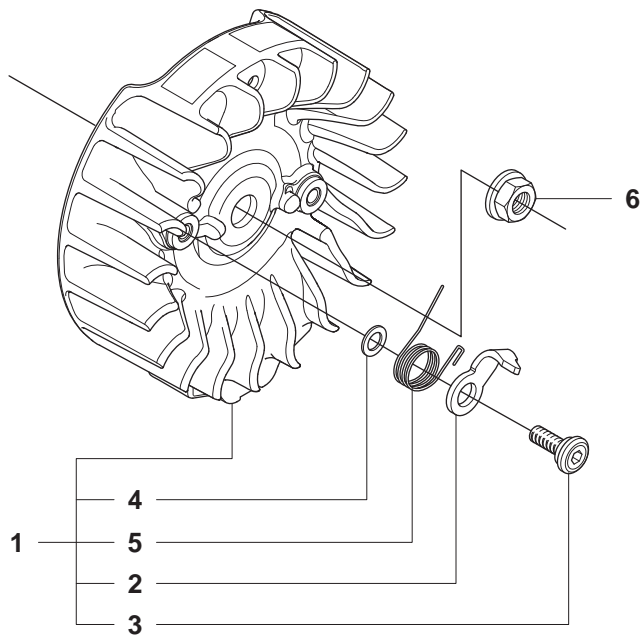
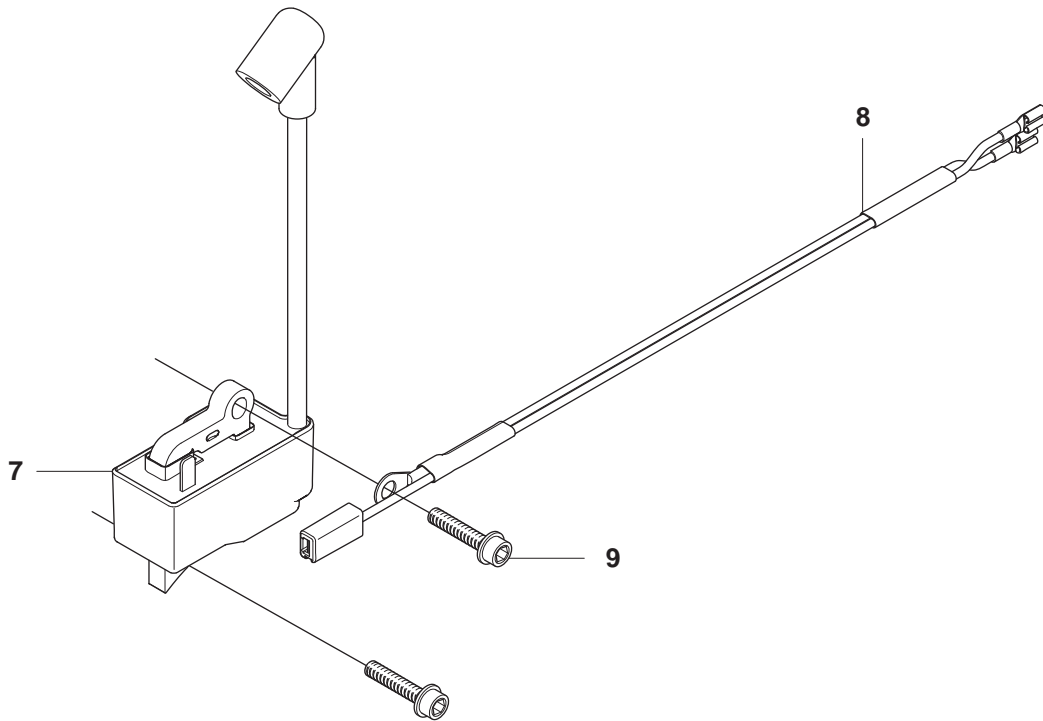
D2 445e, 450e



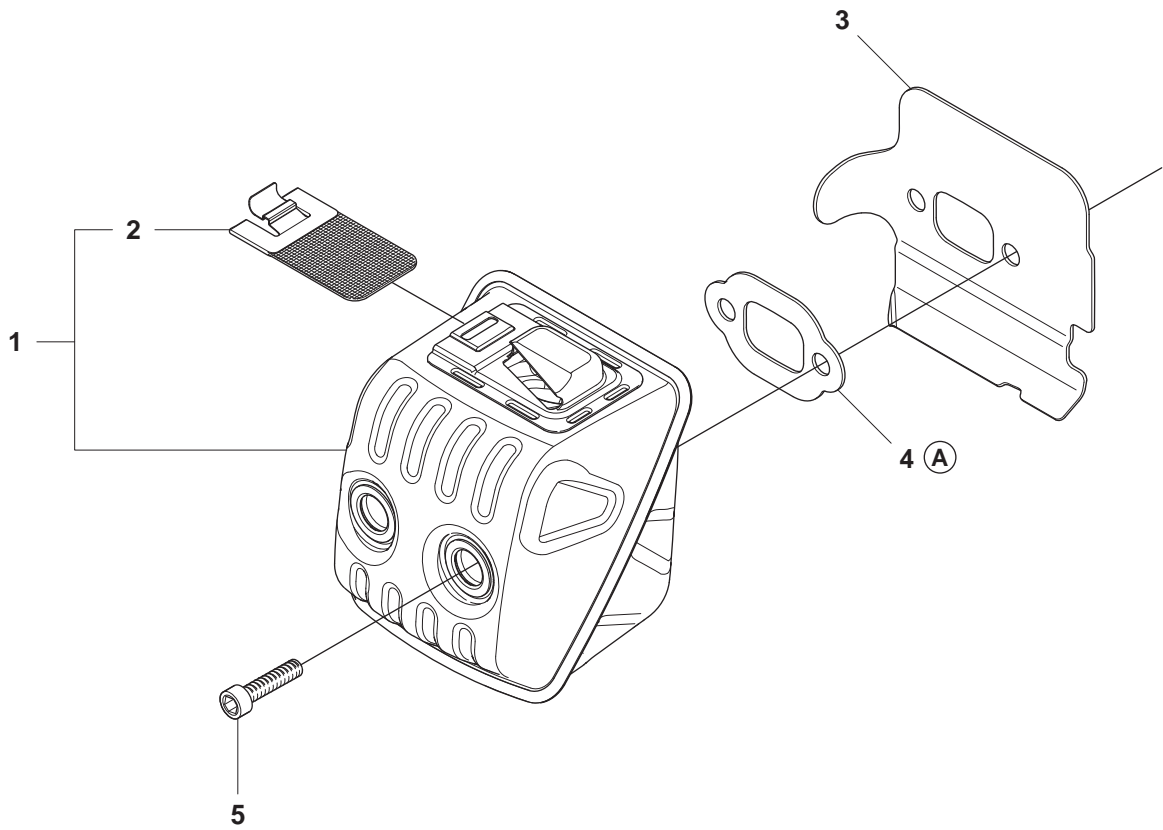
1



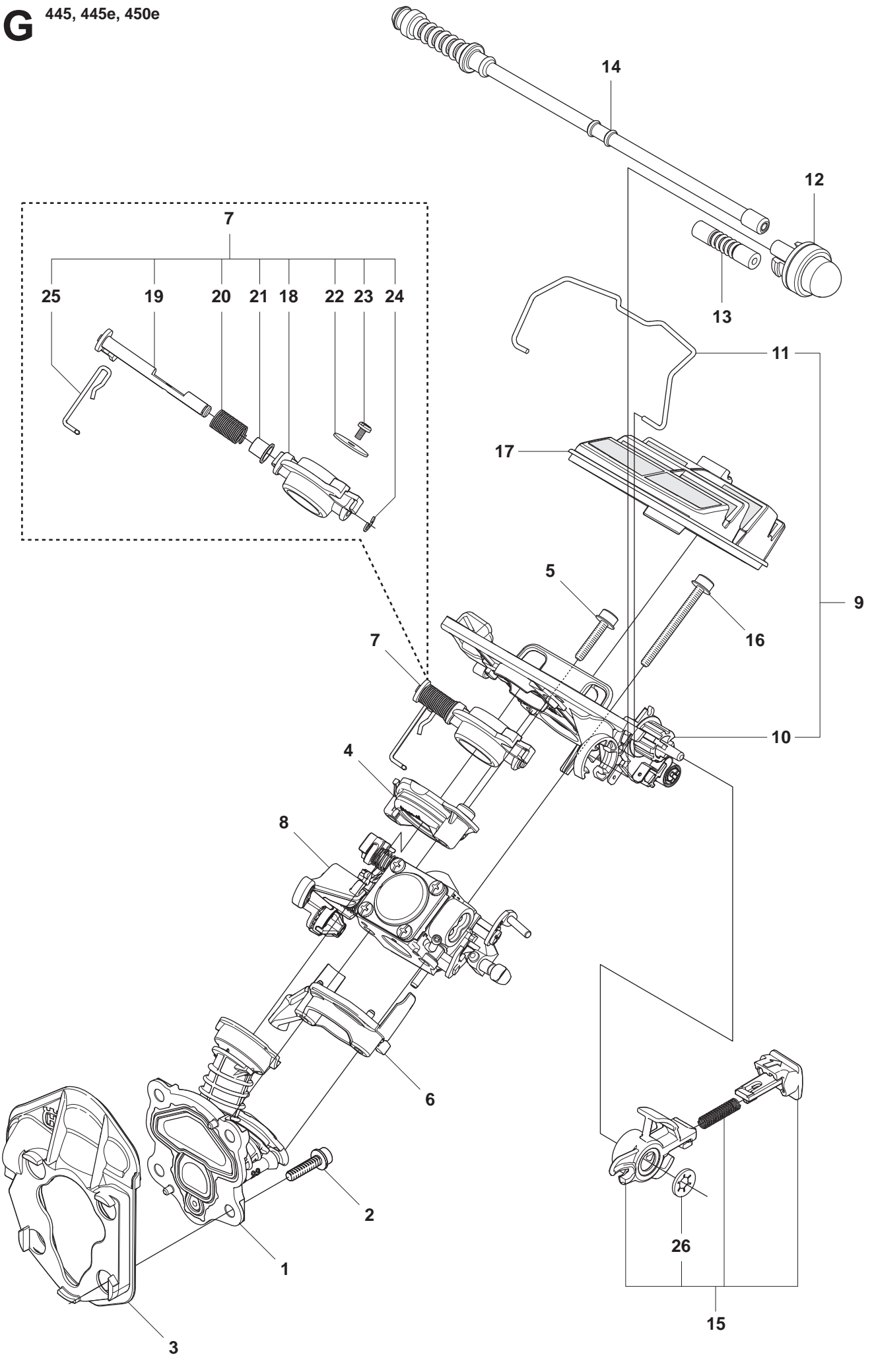
Pos.	Compl No.	Part No.	Quantity	Notes
1		544 15 85-02	1	
2	544 15 85-02	544 15 84-01	1	
3	544 15 85-02	537 28 32-01	1	
4	544 15 85-02	537 24 17-01	1	
5	544 15 85-02	503 21 28-10	2	
6	544 15 85-02	537 42 32-01	1	
7	544 15 85-02	537 42 34-01	1	
8	544 15 85-02	537 42 33-01	1	
9	544 15 85-02	537 42 66-01	1	
10	544 15 85-02	505 30 51-25	1	
11	544 15 85-02	537 23 25-01	1	
12	544 15 85-02	503 21 73-21	4	
13		544 37 71-01	1	
14		544 08 15-01	1	
15		544 37 71-02	1	



Pos.	Compl No.	Part No.	Quantity	Notes
1		544 11 18-01	1	
2	544 11 18-01	537 24 56-01	2	
3	544 11 18-01	501 81 99-03	2	
4	544 11 18-01	503 23 00-42	2	
5	544 11 18-01	503 78 32-01	2	
6		503 22 04-01	1	
7		544 24 38-01	1	
8		544 08 28-01	1	
9		503 20 02-20	2	



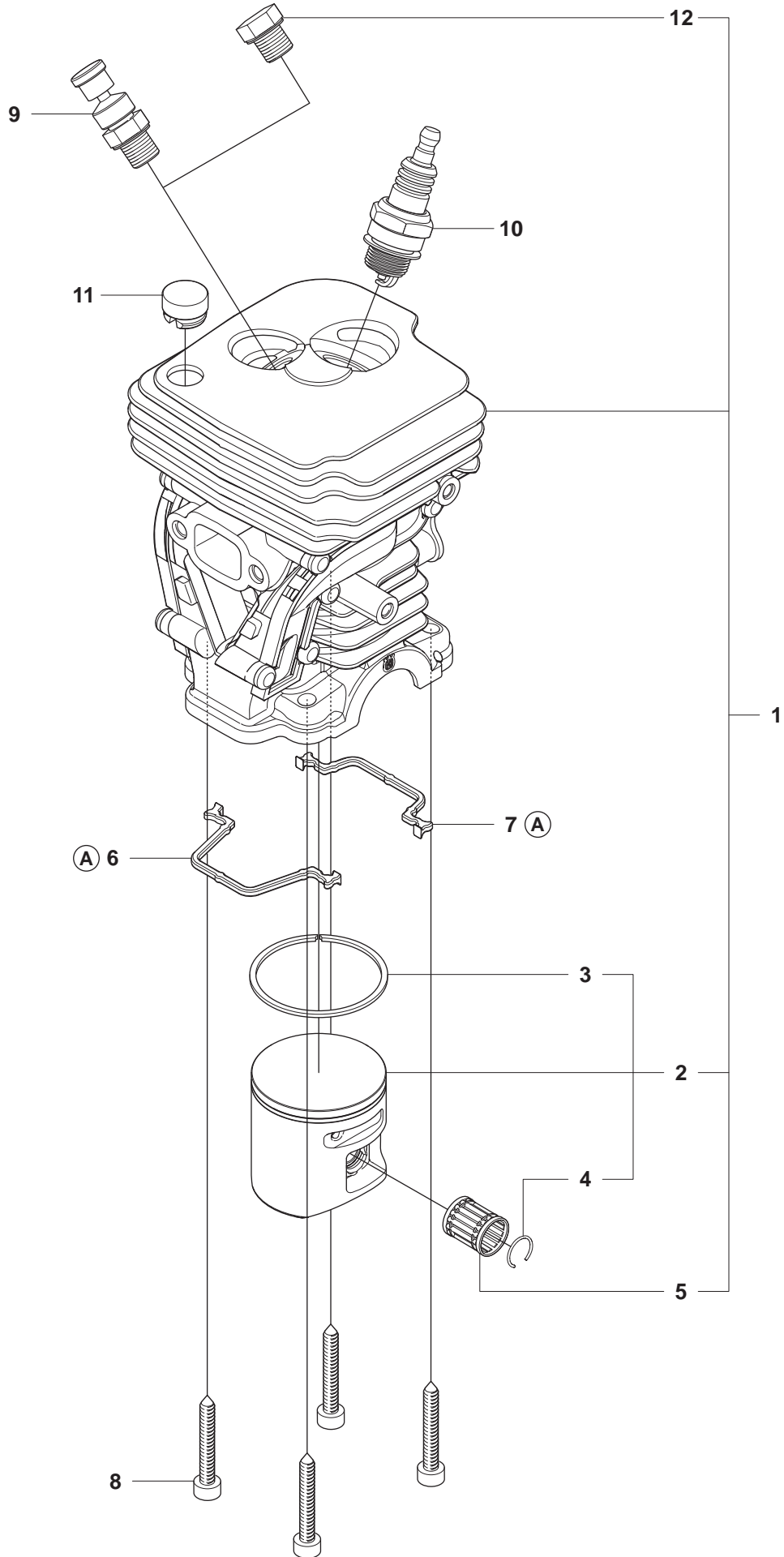
Pos.	Compl No.	Part No.	Quantity	Notes
1		544 14 77-01	1	
2	544 14 77-01	544 14 84-01	1	
3		544 08 31-01	1	
4		544 08 44-01	1	
5		725 53 68-55	2	



Pos.	Compl No.	Part No.	Quantity	Notes
1		544 08 23-01	1	
2		503 20 02-16	4	
3		544 08 38-01	1	
4		544 08 40-01	1	
5		503 21 07-25	2	
6		544 08 41-01	1	
7		544 14 82-01	1	
8		544 14 78-01	1	
9		544 08 05-01	1	
10	544 08 05-01	501 98 14-01	1	
11	544 08 05-01	544 23 14-01	1	
12		503 93 66-01	1	Air purge
13		537 42 58-01	1	Sugslang
14		544 12 97-01	1	Returslang
15		544 35 99-02	1	
16		503 21 07-50	2	
17		544 08 08-01	1	LS PA 80
17		544 08 08-02	1	LS PA 44
17		544 08 08-03	1	Felt
18	544 14 82-01	502 08 07-01	1	
19	544 14 82-01	502 08 10-01	1	
20	544 14 82-01	502 08 11-01	1	
21	544 14 82-01	502 08 08-01	1	
22	544 14 82-01	502 08 12-01	1	
23	544 14 82-01	503 48 18-01	1	
24	544 14 82-01	537 38 52-01	1	
25	544 14 82-01	502 08 09-01	1	
26	544 35 99-02	735 58 30-00	1	

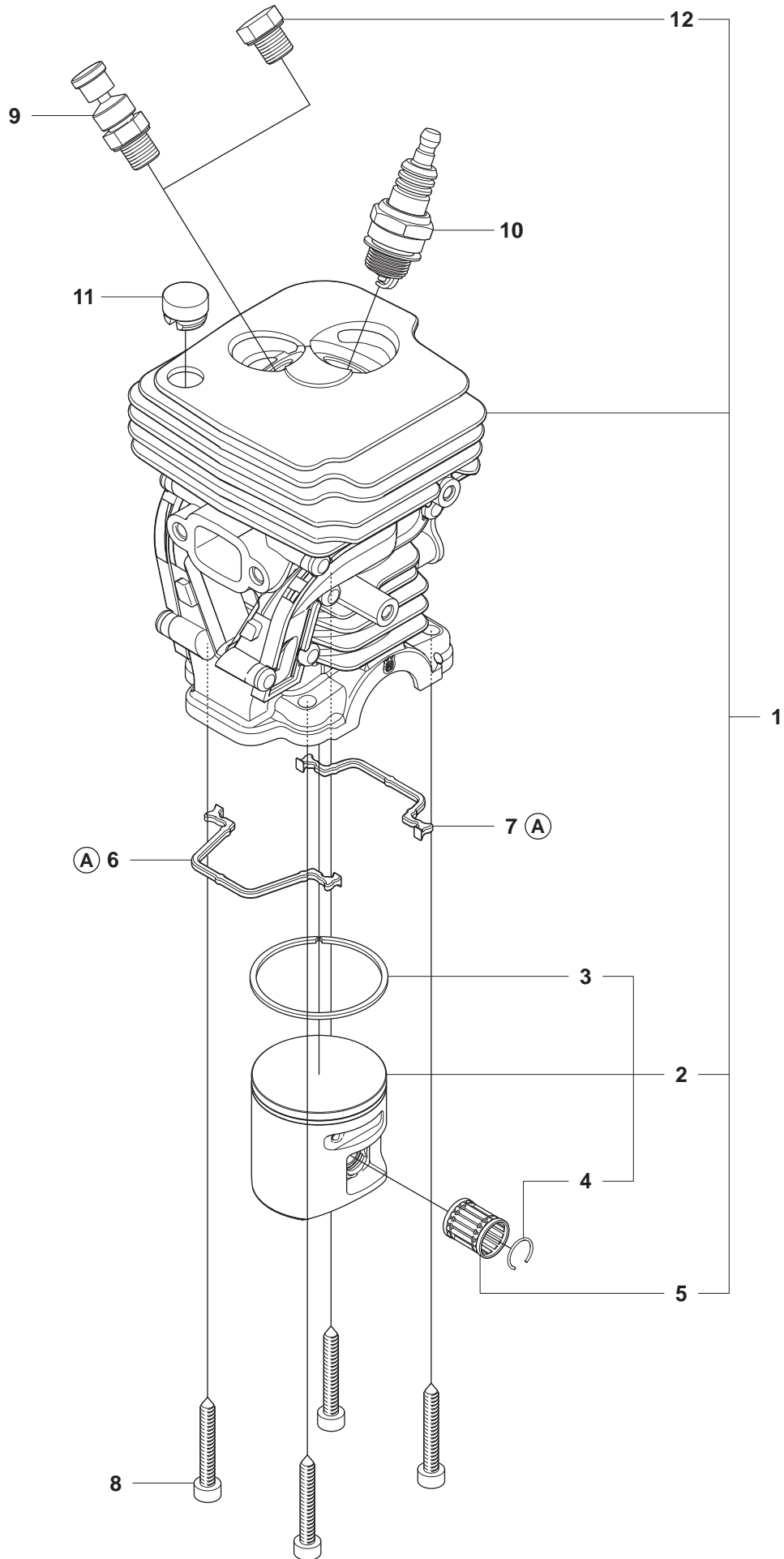
H1

445, 445e

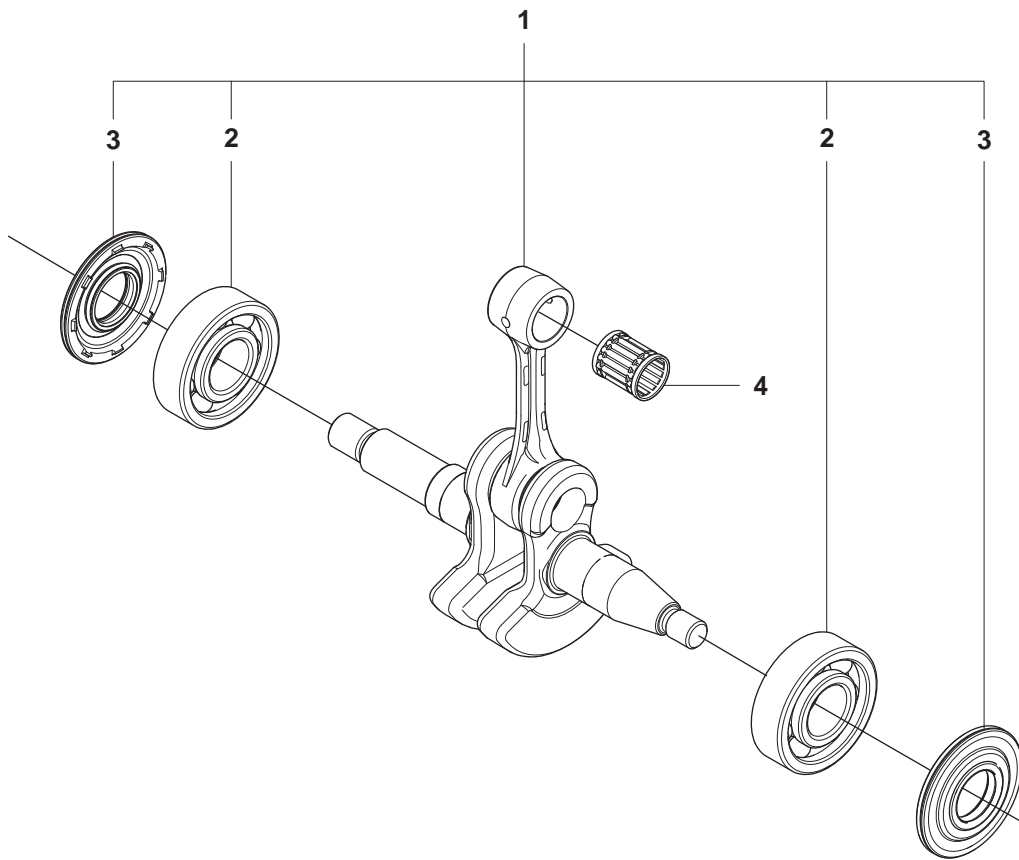


Pos.	Compl No.	Part No.	Quantity	Notes
1		544 11 99-02	1	
2	544 11 99-02	544 08 84-03	1	
3	544 08 84-03	537 40 11-01	1	
4	544 11 99-02	544 21 13-01	1	
5	544 11 99-02	501 45 16-01	1	
6		544 10 87-01	1	
7		544 10 92-01	1	
8		503 20 05-27	4	
9		544 87 07-01	1	
10		503 23 51-11	1	
11		540 05 73-01	1	
12		503 55 22-01	1	

H2 450e

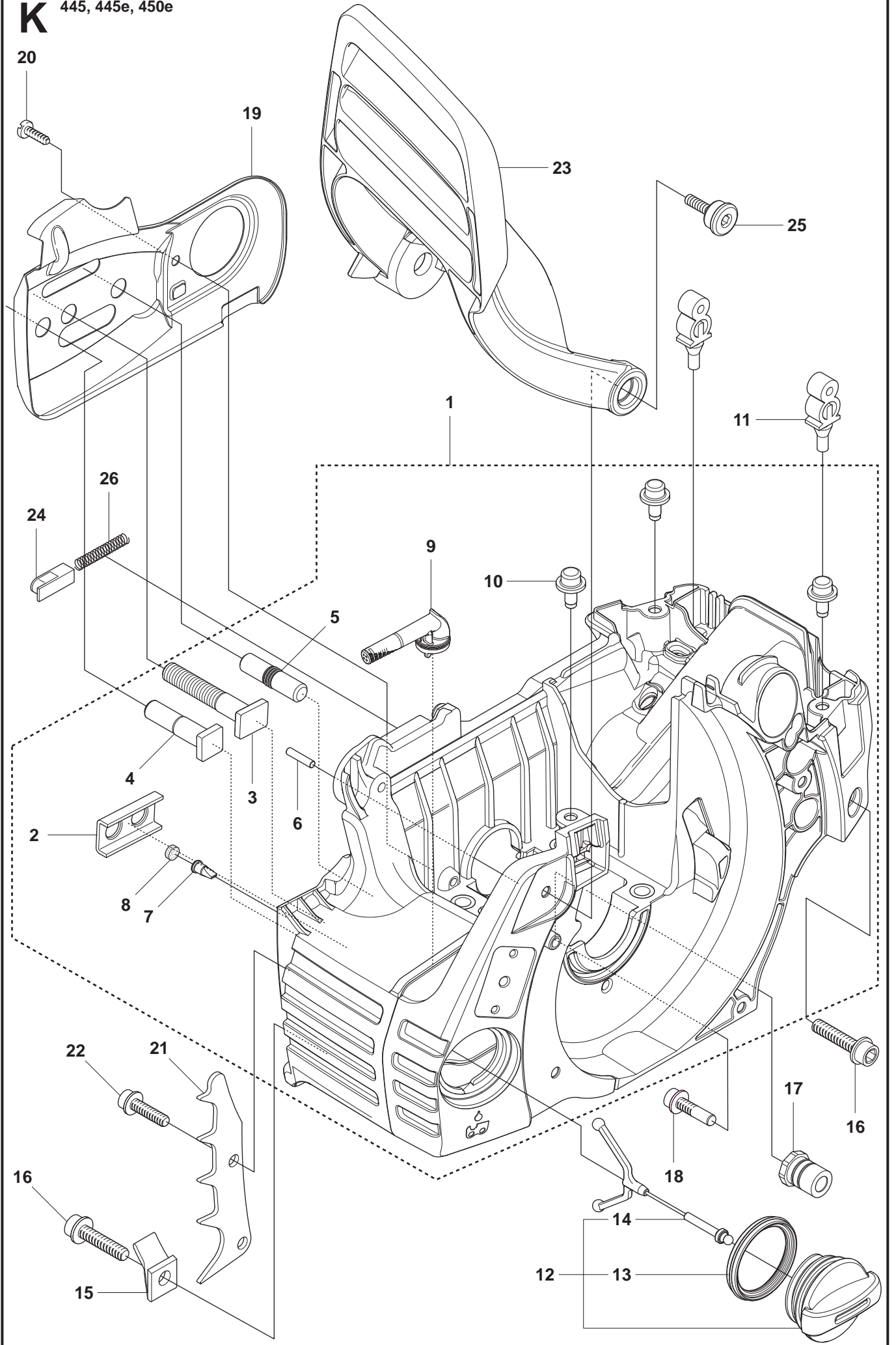


Pos.	Compl No.	Part No.	Quantity	Notes
1		544 11 98-02	1	
2	544 11 98-02	544 08 89-03	1	
3	544 08 89-03	544 08 87-01	1	
4	544 11 98-02	544 21 13-01	1	
5	544 11 98-02	501 45 16-01	1	
6		544 10 87-01	1	
7		544 10 92-01	1	
8		503 20 05-27	4	
9		544 87 07-01	1	
10		503 23 51-11	1	
11		540 05 73-01	1	
12		503 55 22-01	1	

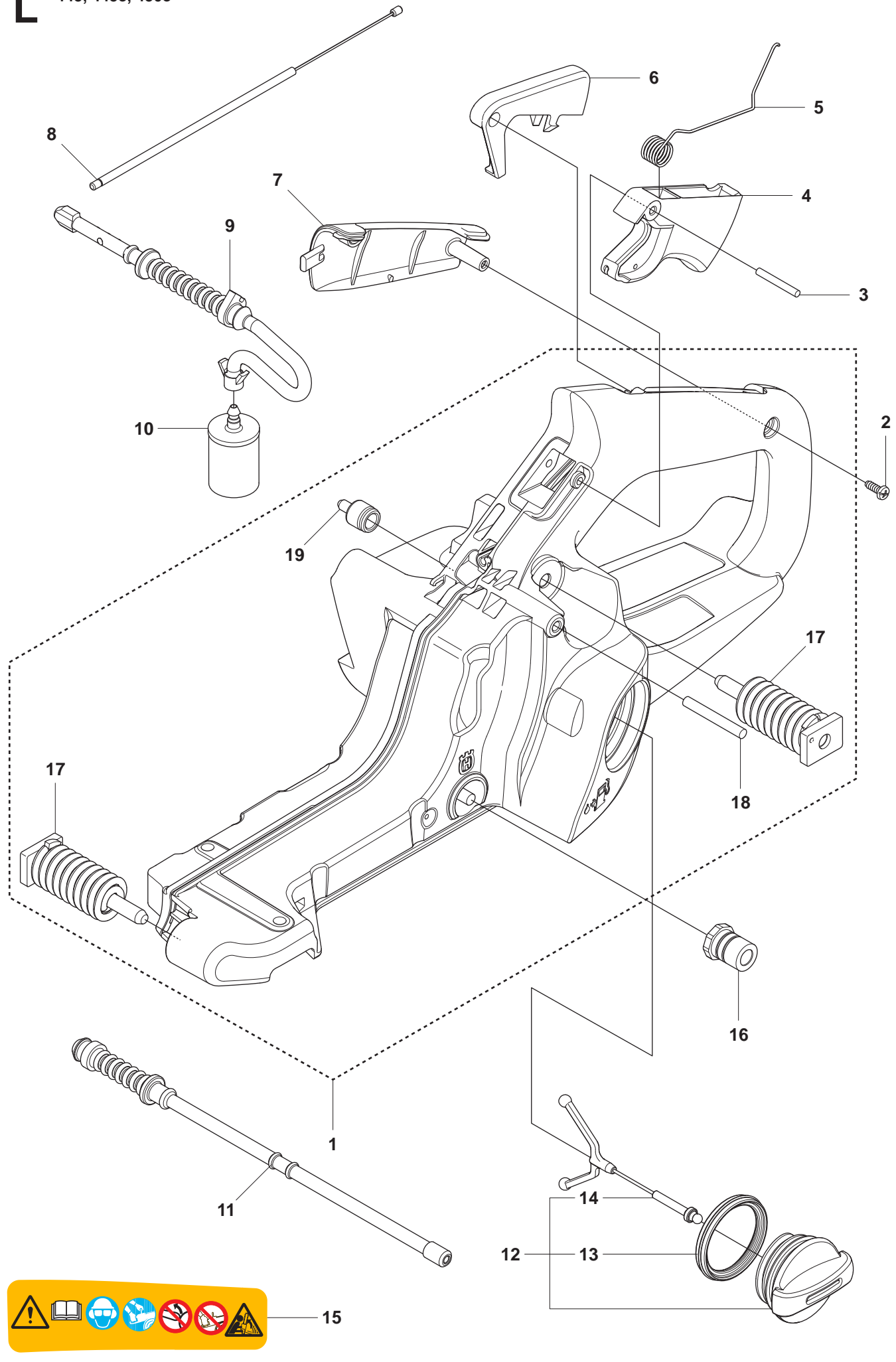


Pos.	Compl No.	Part No.	Quantity	Notes
1		544 06 19-01	1	
2	544 06 19-01	544 06 20-01	2	
3	544 06 19-01	544 01 38-01	2	
4		501 45 16-01	1	

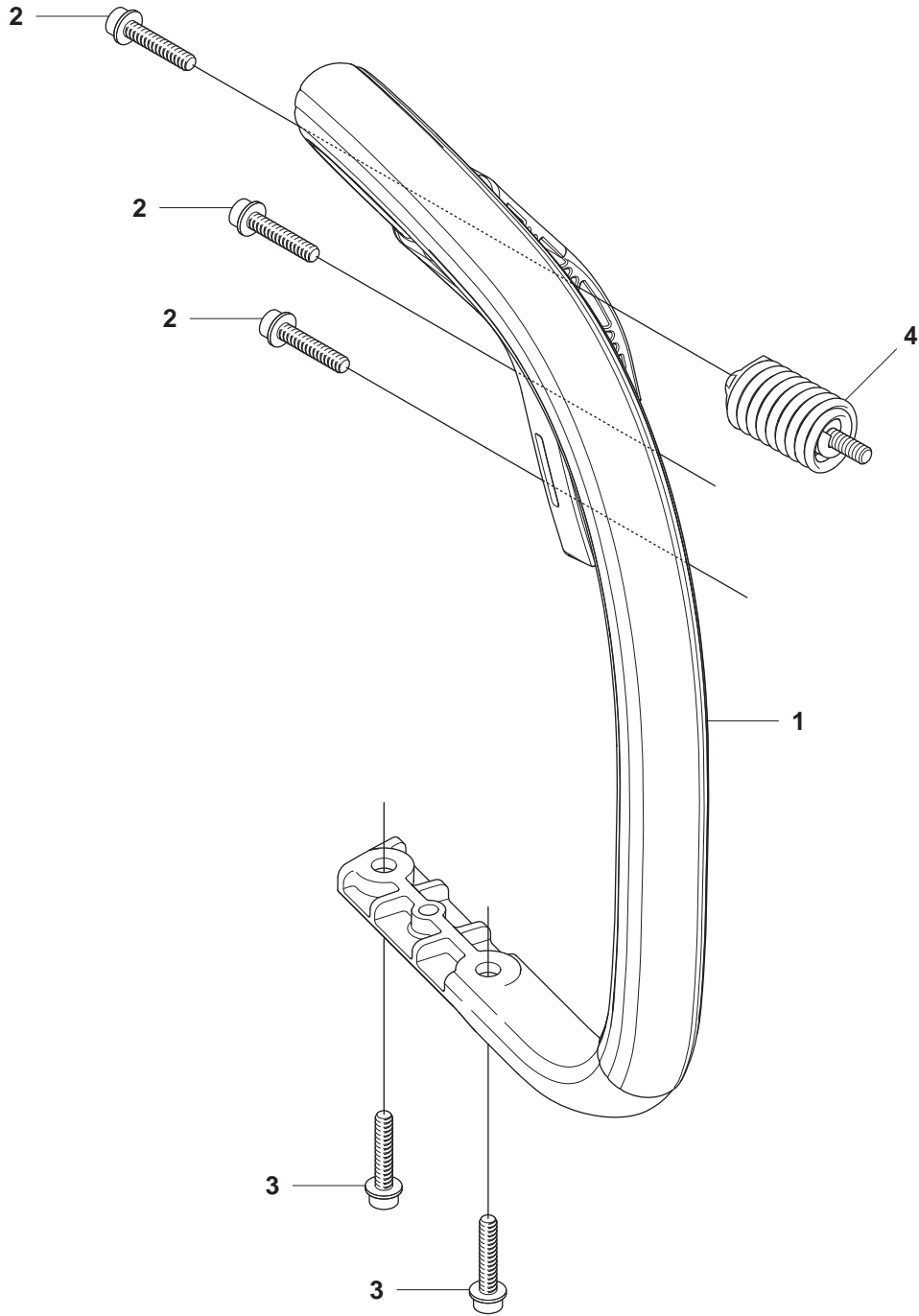
K 445, 445e, 450e



Pos.	Compl No.	Part No.	Quantity	Notes
1		537 43 82-01	1	
2	537 43 82-01	503 87 58-02	1	
3	537 43 82-01	503 87 54-02	1	
4	537 43 82-01	537 33 46-01	1	
5	537 43 82-01	544 03 64-01	1	
6	537 43 82-01	503 24 09-05	1	
7	537 43 82-01	530 02 61-19	1	
8	537 43 82-01	537 40 35-01	1	
9	537 43 82-01	544 08 33-01	1	
10	537 43 82-01	544 33 16-01	3	
11		503 86 93-01	2	
12		544 11 12-01	1	
13	544 11 12-01	537 21 50-01	1	
14	544 11 12-01	503 57 89-01	1	
15		503 88 63-01	1	
16		544 31 62-01	2	
17		501 00 76-01	2	
18		503 21 51-03	1	
19		544 09 40-01	1	
20		503 21 70-10	1	
21		503 90 59-01	1	
22		503 21 75-20	2	
23		544 08 26-01	1	
24		503 89 24-01	1	
25		503 89 30-02	2	
26		503 43 65-01	1	



Pos.	Compl No.	Part No.	Quantity	Notes
1		537 43 79-01	1	
2		503 21 28-10	1	
3		720 18 25-20	1	
4		544 09 97-01	1	
5		544 09 99-01	1	
6		544 09 98-01	1	
7		544 10 00-01	1	
8		544 12 03-01	1	
9		544 12 86-01	1	
10		503 44 32-01	1	
11		544 12 97-01	1	
12		544 11 12-01	1	
13	544 11 12-01	537 21 50-01	1	
14	544 11 12-01	503 57 89-01	1	
15		544 37 50-01	1	
16		501 00 76-01	1	
17	537 43 79-01	544 10 12-01	2	
18	537 43 79-01	721 12 63-39	1	
19	537 43 79-01	537 35 95-01	1	

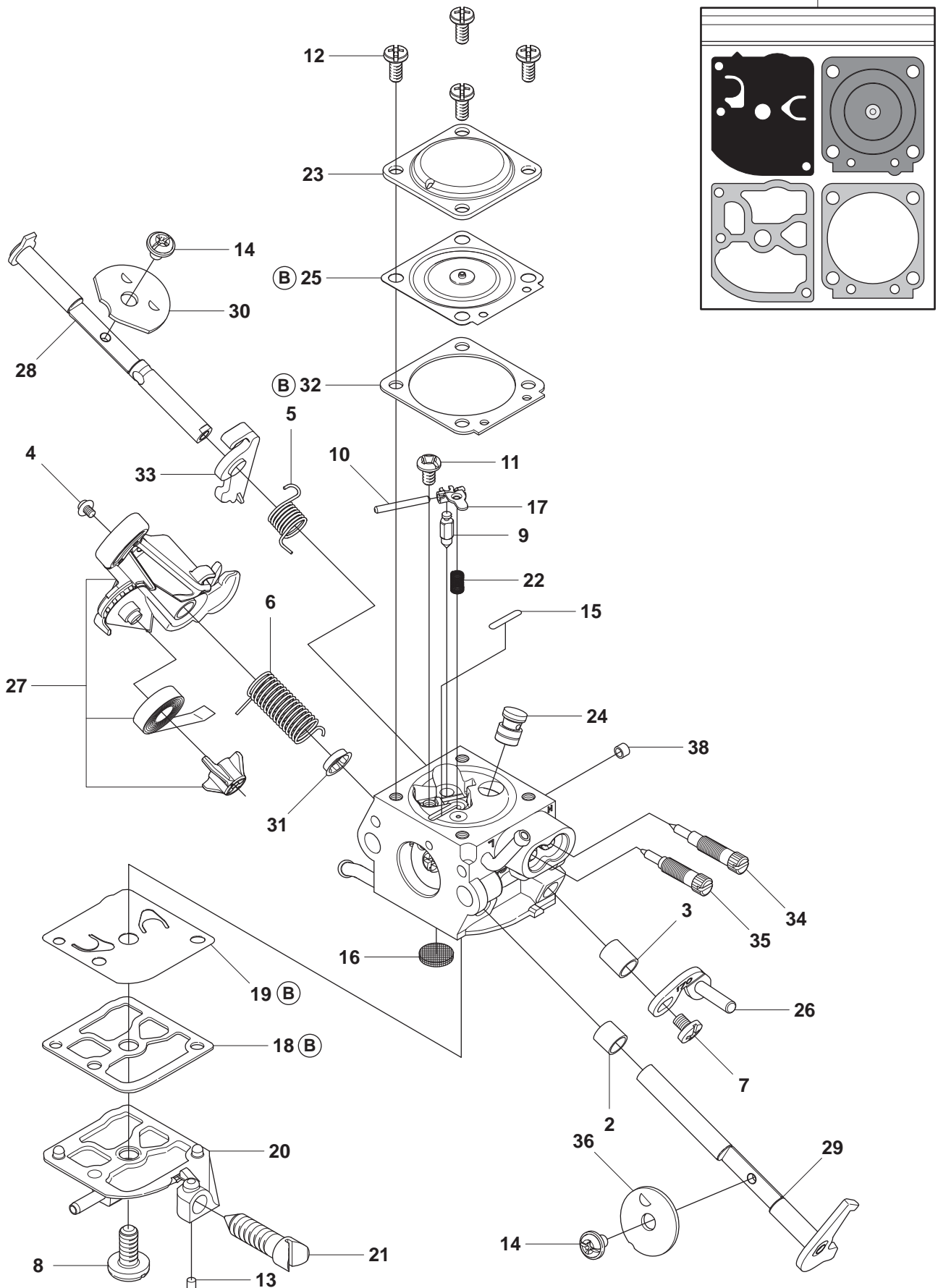


Pos.	Compl No.	Part No.	Quantity	Notes
1		544 08 39-01	1	HANDTAG
2		544 31 62-01	3	SKRUV IHSCFT,PW6.3X2
3		503 21 02-70	2	SKRUV IHSCFT,PW6.3X1
4		503 89 83-01	1	VIB.ISOLATOR,CYL

N

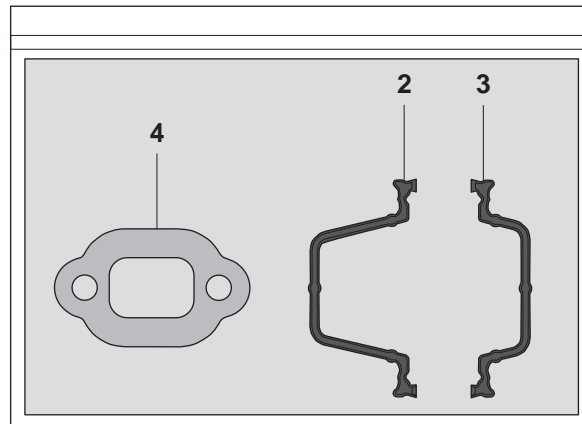
445, 445e, 450e

1

ZAMA C1M-EL3737 **(B)** GND-81

Pos.	Compl No.	Part No.	Quantity	Notes
1		544 14 78-01	1	
2	544 14 78-01	502 07 82-01	1	
3	544 14 78-01	502 07 83-01	1	
4	544 14 78-01	502 07 84-01	1	
5	544 14 78-01	502 07 86-01	1	
6	544 14 78-01	502 07 87-01	1	
7	544 14 78-01	503 47 90-01	1	
8	544 14 78-01	503 47 96-01	1	
9	544 14 78-01	503 47 97-01	1	
10	544 14 78-01	503 48 00-01	1	
11	544 14 78-01	503 48 01-01	1	
12	544 14 78-01	503 48 05-01	4	
13	544 14 78-01	503 48 11-01	1	
14	544 14 78-01	503 48 18-01	2	
15	544 14 78-01	503 53 56-01	2	
16	544 14 78-01	503 53 57-01	1	
17	544 14 78-01	503 66 59-01	1	
18	544 14 78-01	537 02 01-01	1	
19	544 14 78-01	537 38 31-01	1	
20	544 14 78-01	502 07 89-01	1	
21	544 14 78-01	537 38 33-01	1	
22	544 14 78-01	537 38 34-01	1	
23	544 14 78-01	537 38 37-01	1	
24	544 14 78-01	544 23 77-01	1	
25	544 14 78-01	502 07 90-01	1	
26	544 14 78-01	502 07 91-01	1	
27	544 14 78-01	502 07 92-01	1	
28	544 14 78-01	502 07 94-01	1	
29	544 14 78-01	502 07 95-01	1	
30	544 14 78-01	502 24 77-01	1	
31	544 14 78-01	502 07 98-01	1	
32	544 14 78-01	537 38 36-01	1	
33	544 14 78-01	502 08 17-01	1	
34	544 14 78-01	502 07 99-01	1	
35	544 14 78-01	502 08 00-01	1	
36	544 14 78-01	502 08 01-01	1	
37	544 14 78-01	502 08 02-01	1	
38	544 14 78-01	544 11 95-01	1	

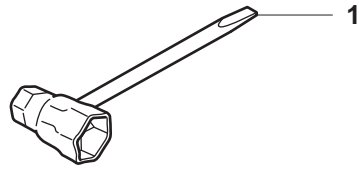
P Levereras endast som reservdel
Delivery as spare part only
Nur als Ersatzteil lieferbar
Livrabable seulement comme pièce de rechange
Solo como repuesto
Zasilà se jenom jako náhradni díl



1 (A)
Packningssats
Set of gaskets
Dichtungssatz
Jeu de joints
Juego de juntas

Pos.	Compl No.	Part No.	Quantity	Notes
1		544 97 20-01	1	
2	544 97 20-01	544 10 87-01	1	
3	544 97 20-01	544 10 92-01	1	
4	544 97 20-01	544 08 44-01	1	

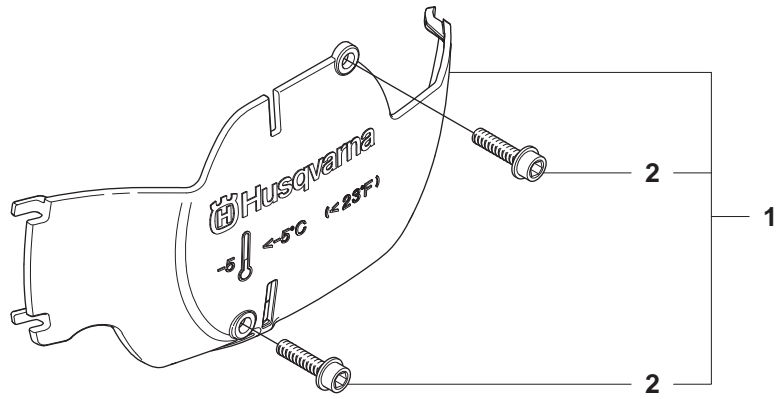
Q Tillbehör
Accessories
Zubehöre
Accessoires
Accesorios



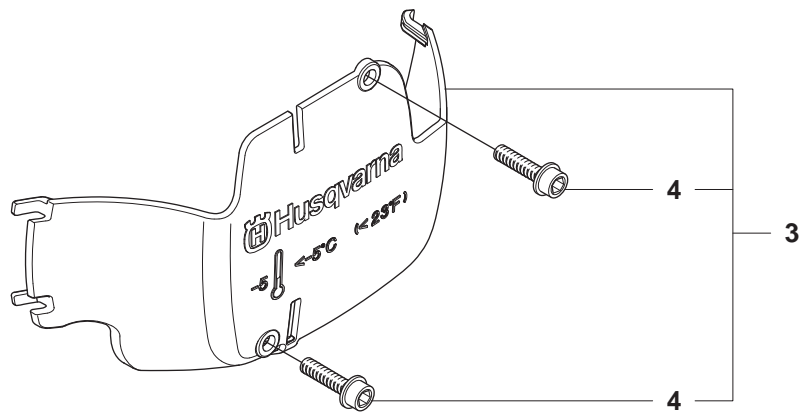
Page Q
445/450

Pos.	Compl No.	Part No.	Quantity	Notes
1		503 55 85-04	1	

R 445
WINTER KIT



R 445e, 450e
WINTER KIT



Pos.	Compl No.	Part No.	Quantity	Notes
1		544 46 45-01	1	VINTERSATS
2	544 46 45-01	503 21 70-01	2	
3		544 46 45-02	1	VINTERSATS ELASTO
4	544 46 45-02	503 21 70-16	2	