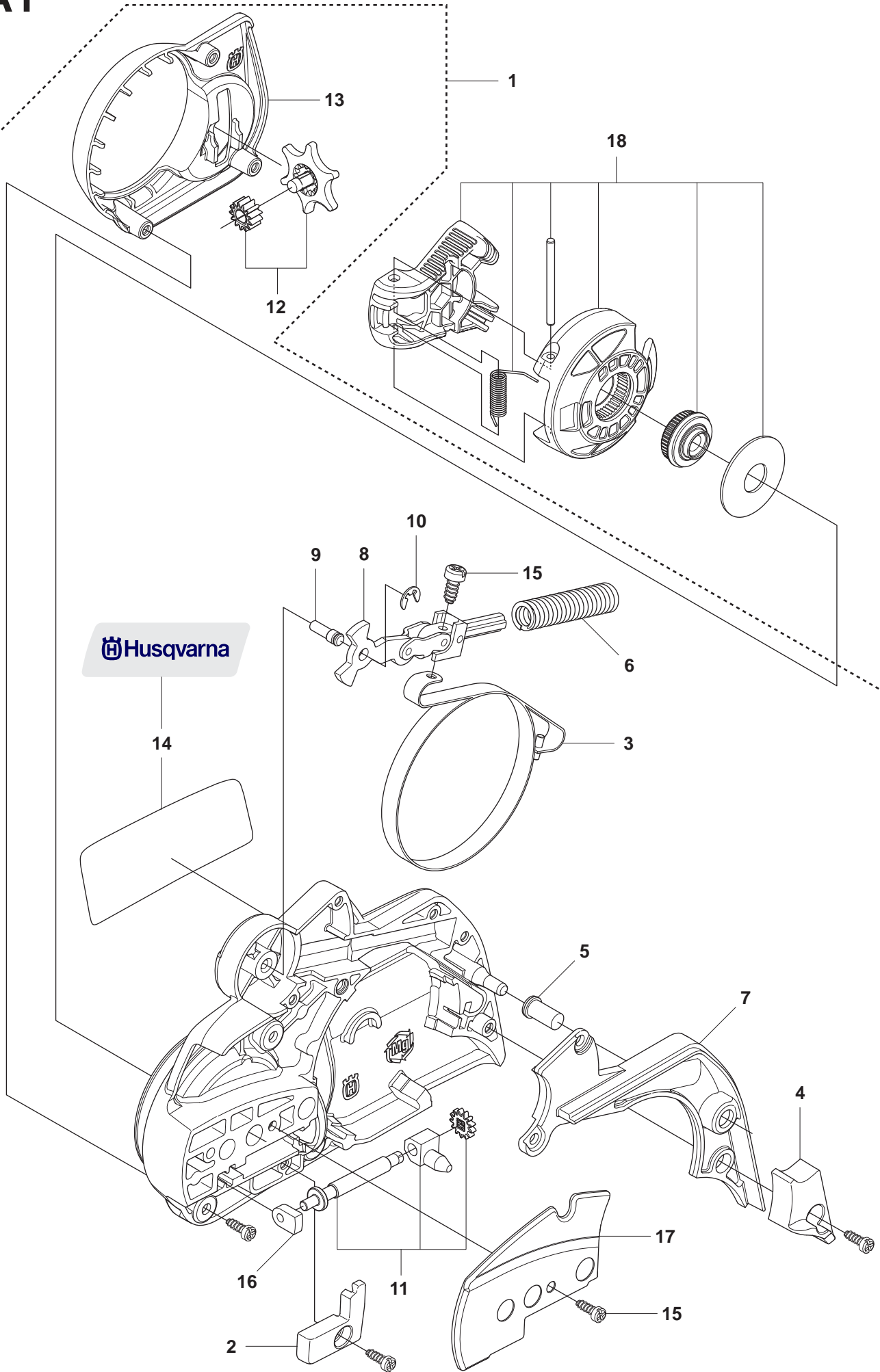


445, 445e 450, 450e

Spare parts

A1 445e, 450e



| Pos. | Compl No. | Part No. | Quantity | Notes |
|-------------|------------------|-----------------|-----------------|--------------|
| 1 | | 544 21 72-01 | 1 | |
| 2 | 544 21 72-01 | 537 34 76-01 | 1 | |
| 3 | 544 21 72-01 | 537 04 30-01 | 1 | |
| 4 | 544 21 72-01 | 544 08 30-01 | 1 | |
| 5 | 544 21 72-01 | 503 85 52-01 | 1 | |
| 6 | 544 21 72-01 | 503 46 59-01 | 1 | |
| 7 | 544 21 72-01 | 544 08 29-01 | 1 | |
| 8 | 544 21 72-01 | 503 89 08-02 | 1 | |
| 9 | 544 21 72-01 | 503 89 29-01 | 1 | |
| 10 | 544 21 72-01 | 735 31 08-20 | 1 | |
| 11 | 544 21 72-01 | 537 39 29-01 | 1 | |
| 12 | 544 21 72-01 | 537 34 72-01 | 1 | |
| 13 | 544 21 72-01 | 537 39 26-01 | 1 | |
| 14 | 544 21 72-01 | 544 35 75-01 | 1 | |
| 15 | 544 21 72-01 | 503 21 70-10 | 10 | |
| 16 | 544 21 72-01 | 544 84 55-01 | 1 | |
| 17 | 544 21 72-01 | 544 25 05-01 | 1 | |
| 18 | | 537 34 78-01 | 1 | |

1

 Husqvarna

18

10

7

13

6

2

12

8

9

19

3

5

14

16

17

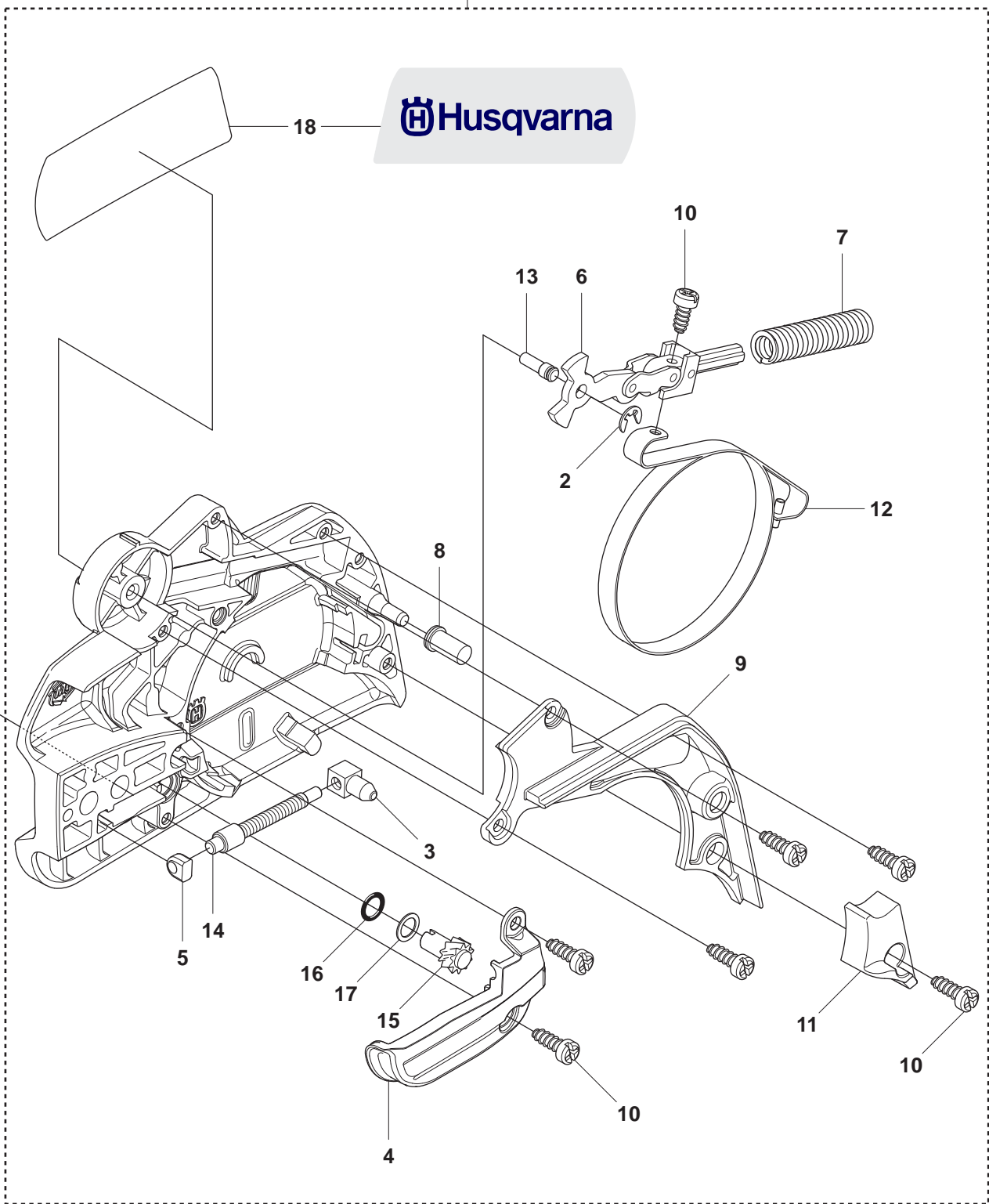
15

4

10

11

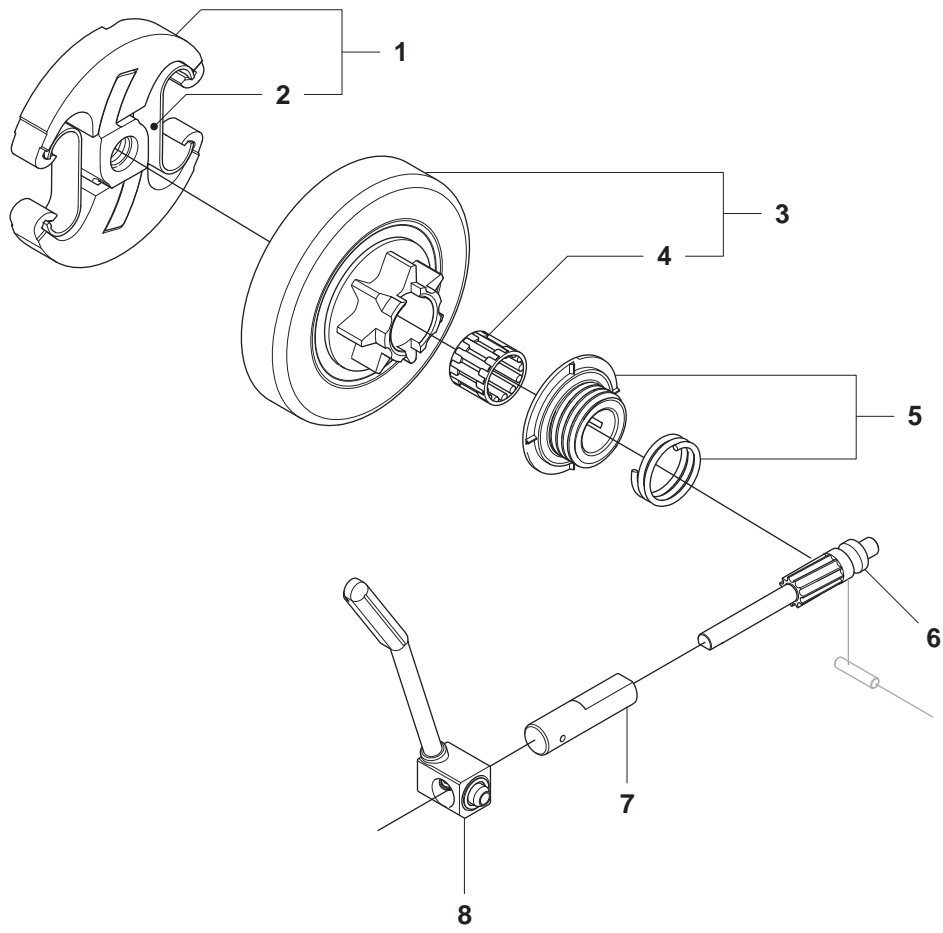
10



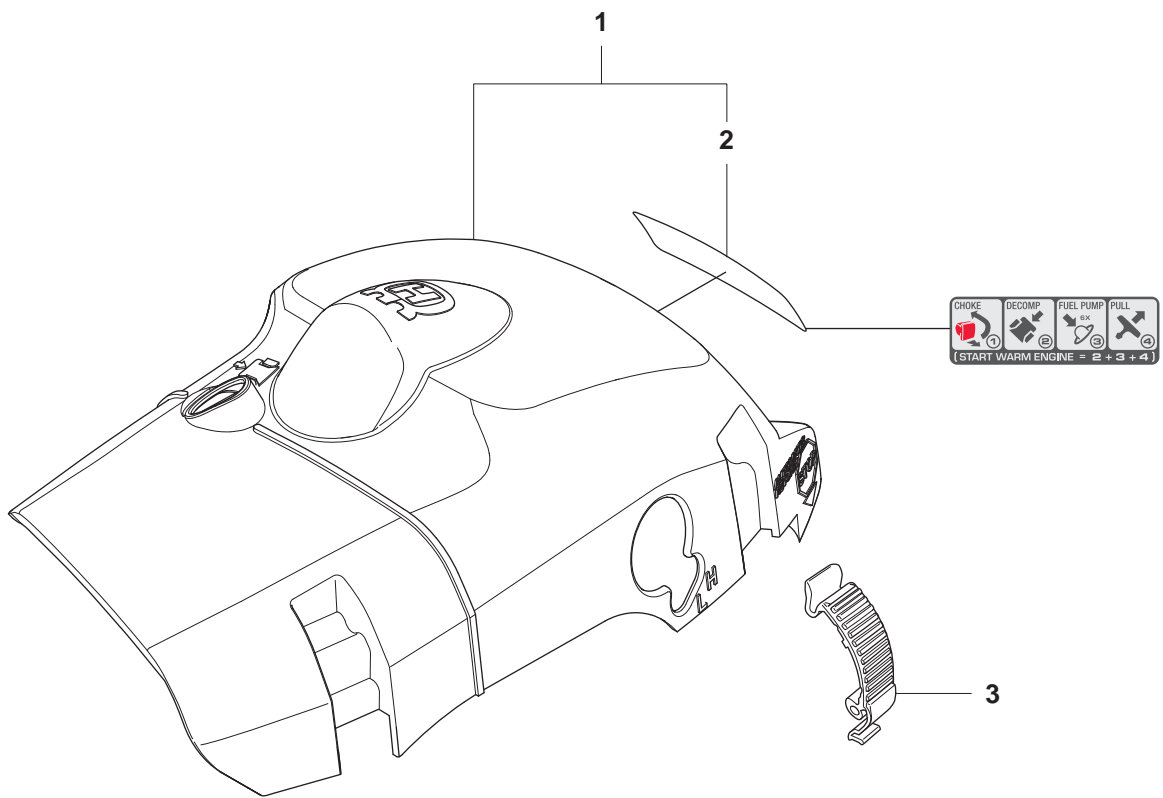
| Pos. | Compl No. | Part No. | Quantity | Notes |
|-------------|------------------|-----------------|-----------------|--------------|
| 1 | | 544 09 79-01 | 1 | |
| 2 | 544 09 79-01 | 735 31 08-20 | 1 | |
| 3 | 544 09 79-01 | 537 28 66-01 | 1 | |
| 4 | 544 09 79-01 | 540 06 33-01 | 1 | |
| 5 | 544 09 79-01 | 537 01 74-01 | 1 | |
| 6 | 544 09 79-01 | 503 89 08-02 | 1 | |
| 7 | 544 09 79-01 | 503 46 59-01 | 1 | |
| 8 | 544 09 79-01 | 503 85 52-01 | 1 | |
| 9 | 544 09 79-01 | 544 08 29-01 | 1 | |
| 10 | 544 09 79-01 | 503 21 70-10 | 7 | |
| 11 | 544 09 79-01 | 544 08 30-01 | 1 | |
| 12 | 544 09 79-01 | 537 04 30-01 | 1 | |
| 13 | 544 09 79-01 | 503 89 29-01 | 1 | |
| 14 | 544 09 79-01 | 537 39 70-01 | 1 | |
| 15 | 544 09 79-01 | 537 07 94-02 | 1 | |
| 16 | 544 09 79-01 | 740 48 07-02 | 1 | |
| 17 | 544 09 79-01 | 503 23 00-63 | 1 | |
| 18 | 544 09 79-01 | 544 37 68-01 | 1 | |
| 19 | | 503 22 00-01 | 1 | |

B

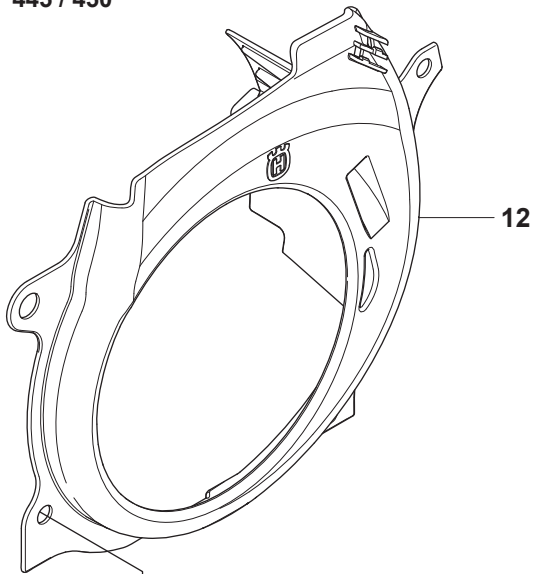
445, 445e, 450e



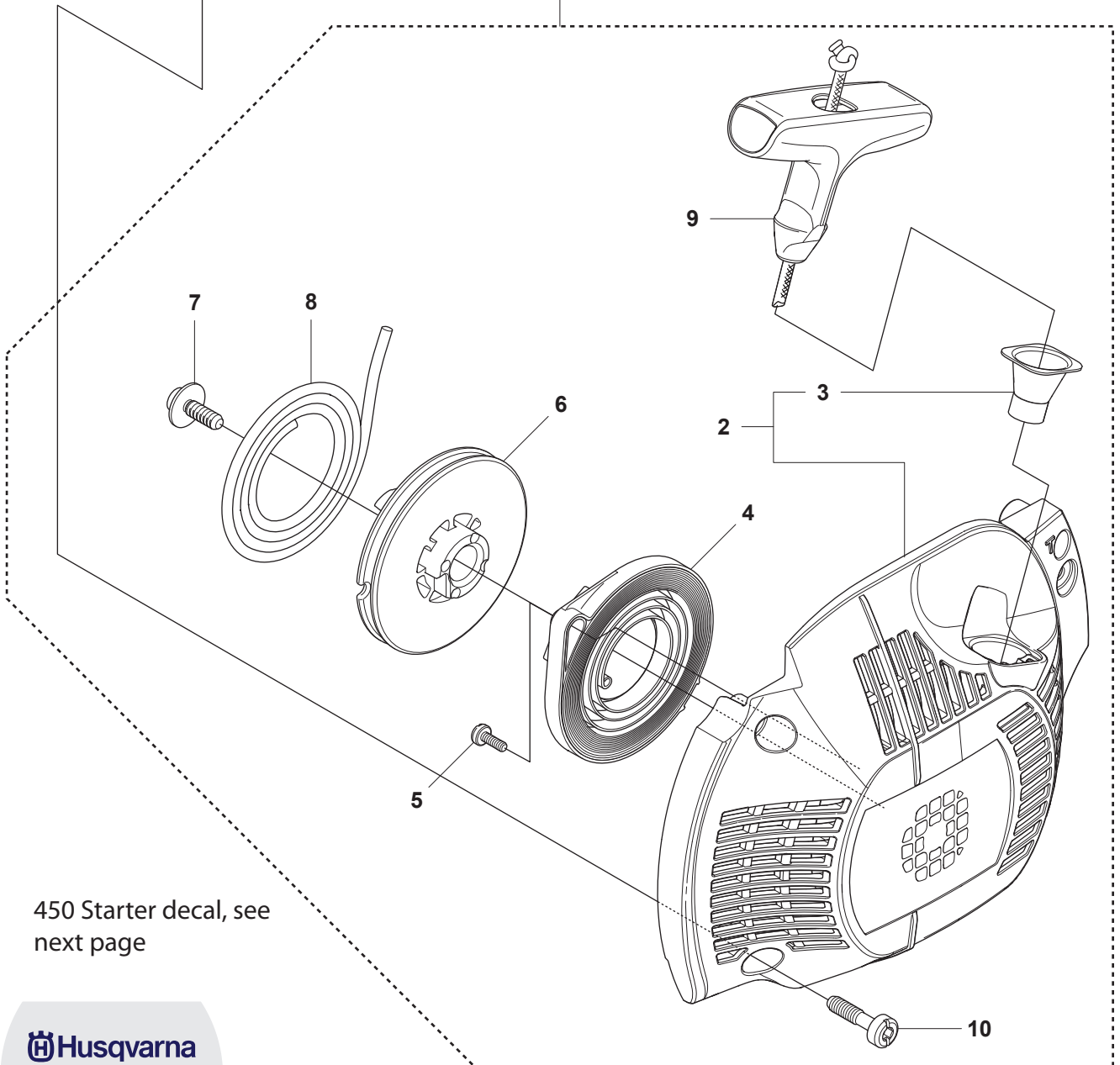
| Pos. | Compl No. | Part No. | Quantity | Notes |
|-------------|------------------|-----------------|-----------------|--------------|
| 1 | | 537 11 05-03 | 1 | |
| 2 | 537 11 05-03 | 537 35 91-01 | 2 | |
| 3 | | 503 87 30-72 | 1 | |
| 4 | 503 87 30-72 | 503 25 52-01 | 1 | |
| 5 | | 503 93 18-01 | 1 | |
| 6 | | 503 93 21-01 | 1 | |
| 7 | | 537 15 48-01 | 1 | |
| 8 | | 544 08 42-01 | 1 | |



| Pos. | Compl No. | Part No. | Quantity | Notes |
|-------------|------------------|-----------------|-----------------|--------------|
| 1 | | 544 34 83-01 | 1 | |
| 2 | 544 34 83-01 | 544 37 53-01 | 1 | |
| 3 | | 503 89 47-01 | 3 | |



1

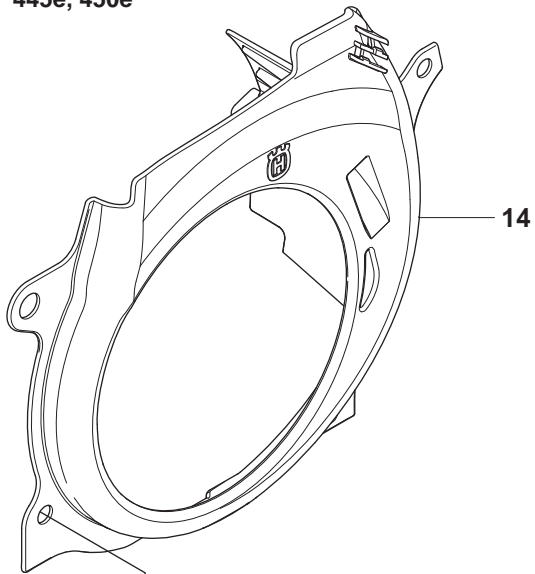


450 Starter decal, see next page

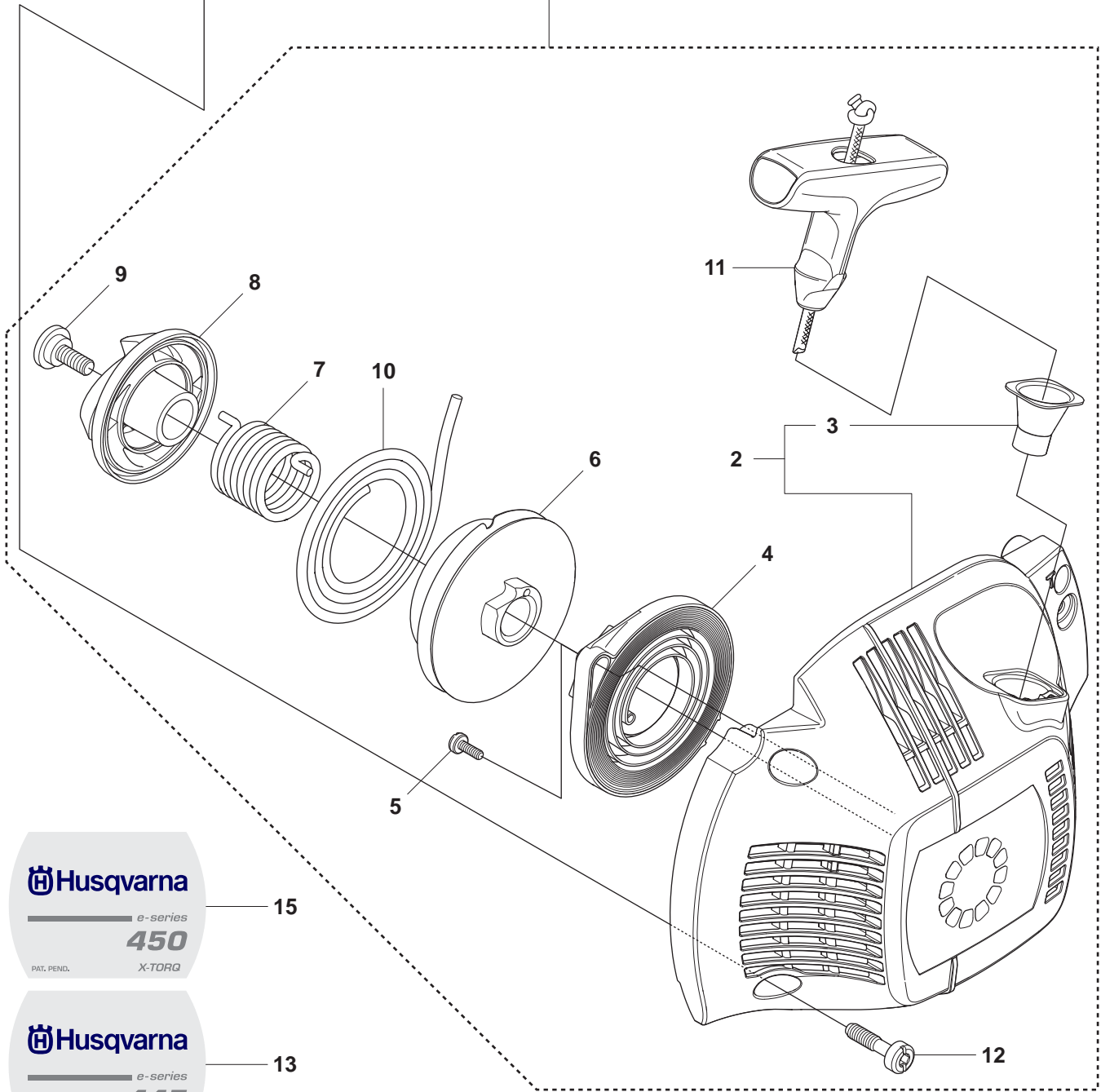
| Pos. | Compl No. | Part No. | Quantity | Notes |
|------|--------------|--------------|----------|-------|
| 1 | | 544 07 16-02 | 1 | |
| 2 | 544 07 16-02 | 544 07 15-01 | 1 | |
| 3 | 544 07 16-02 | 537 28 32-01 | 1 | |
| 4 | 544 07 16-02 | 537 24 17-01 | 1 | |
| 5 | 544 07 16-02 | 503 21 28-10 | 2 | |
| 6 | 544 07 16-02 | 537 09 25-01 | 1 | |
| 7 | 544 07 16-02 | 503 21 77-16 | 1 | |
| 8 | 544 07 16-02 | 505 30 51-25 | 1 | |
| 9 | 544 07 16-02 | 537 23 25-01 | 1 | |
| 10 | 544 07 16-02 | 503 21 73-21 | 4 | |
| 11 | | 544 37 70-01 | 1 | |
| 12 | | 544 08 15-01 | 1 | |

450 starter decal p/n 544 37 70-02

D2 445e, 450e



1



Husqvarna

e-series
450

PAT. PEND.

X-TORQ

15

Husqvarna

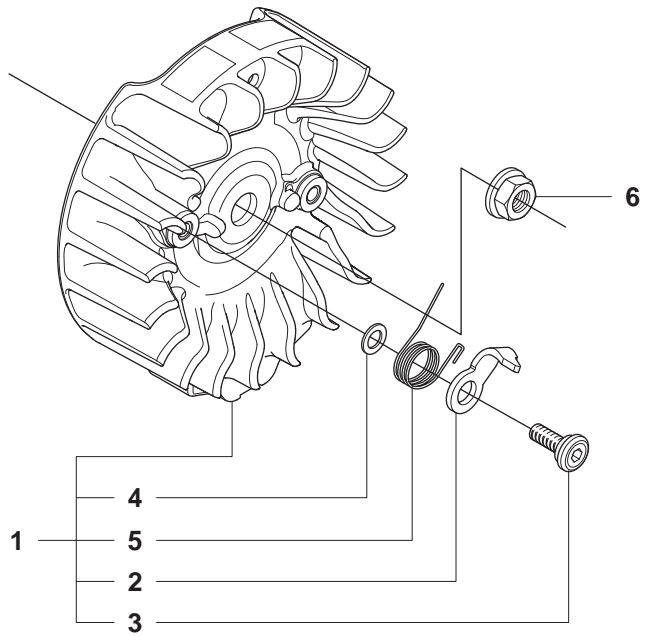
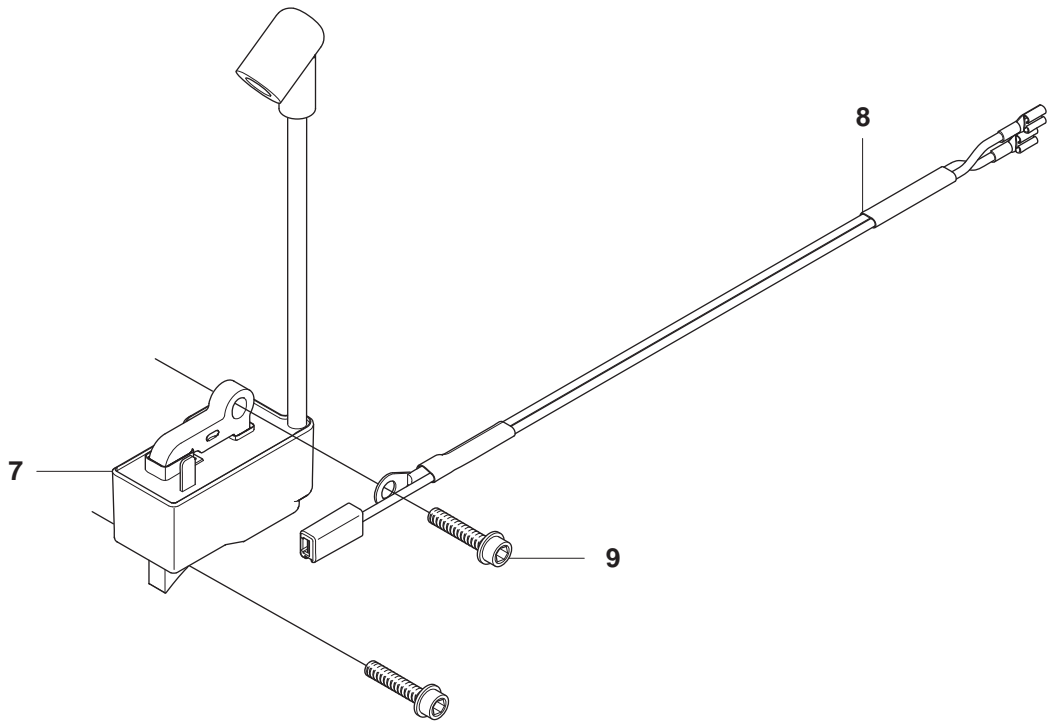
e-series
445

PAT. PEND.

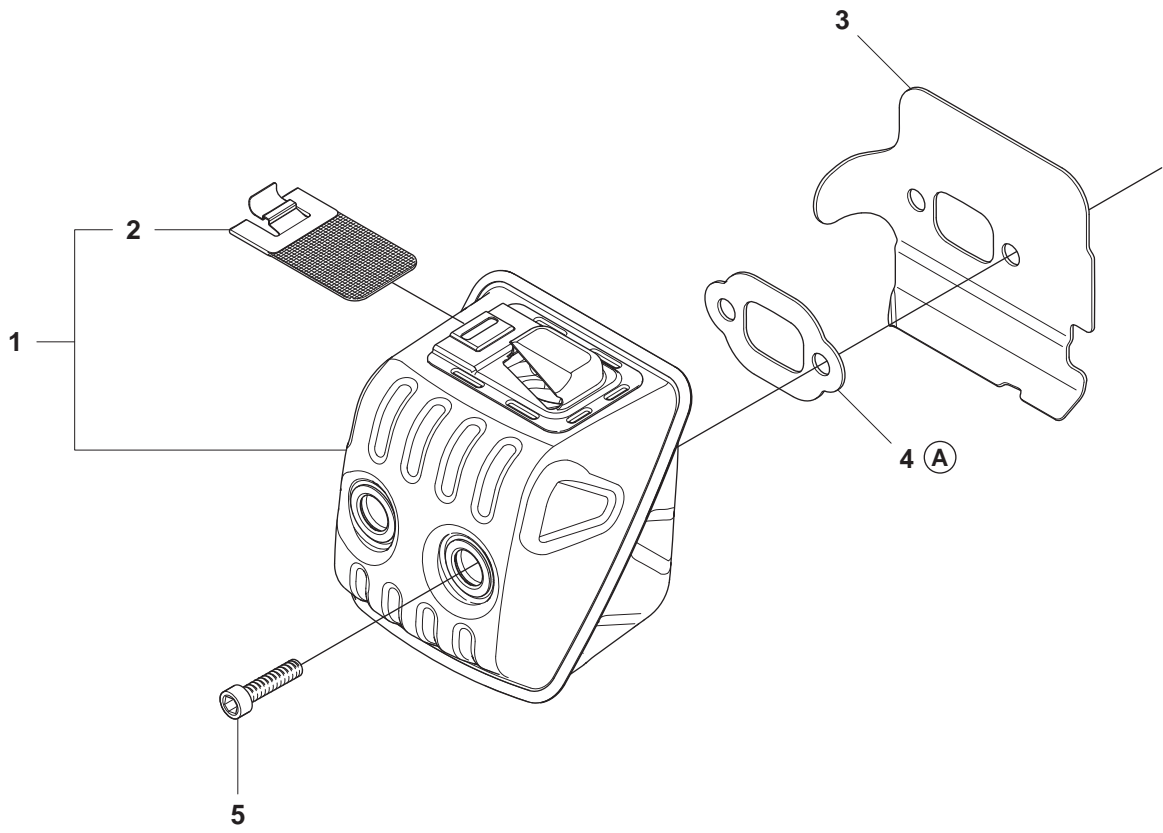
X-TORQ

13

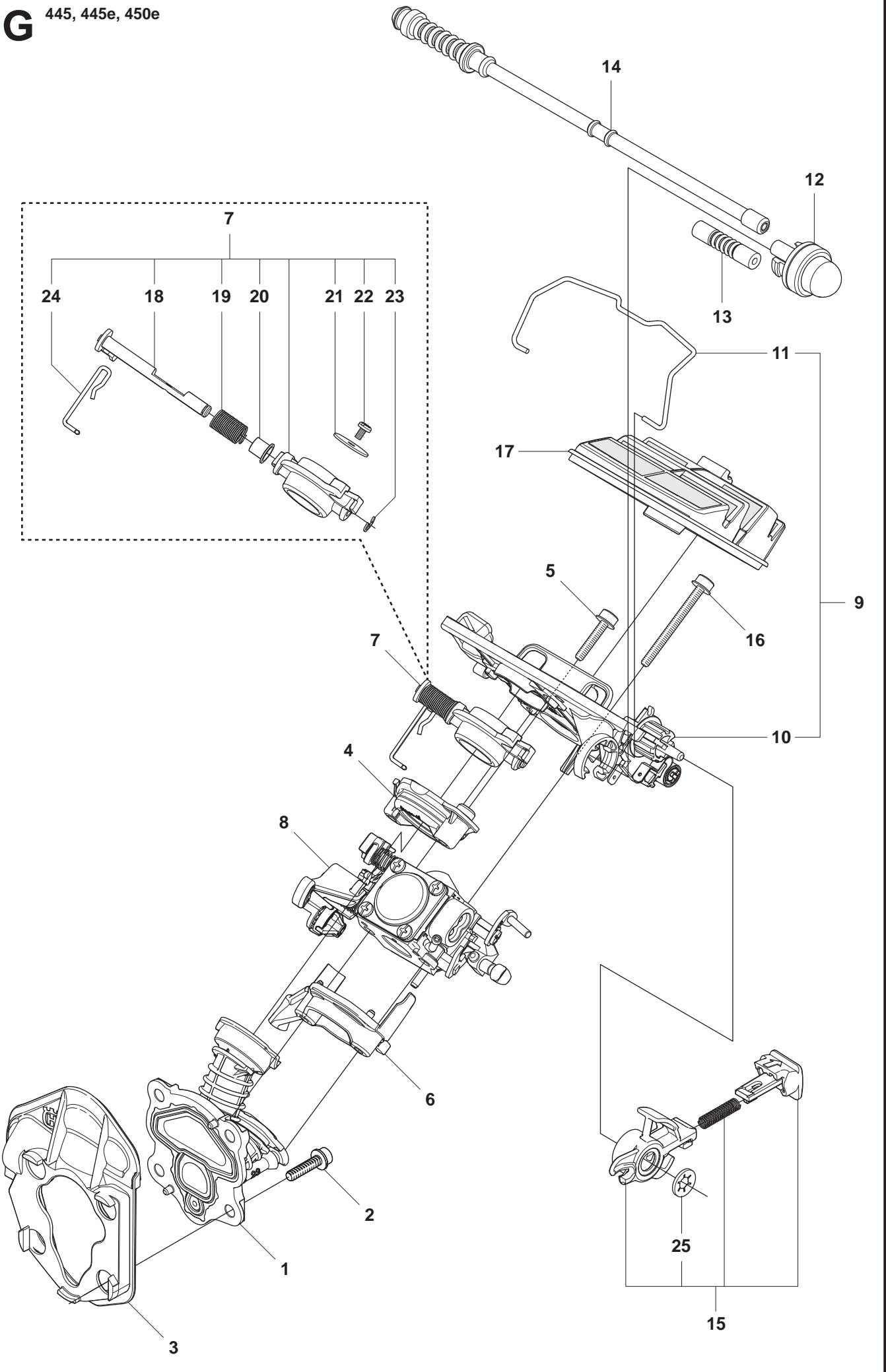
| Pos. | Compl No. | Part No. | Quantity | Notes |
|-------------|------------------|-----------------|-----------------|--------------|
| 1 | | 544 15 85-02 | 1 | |
| 2 | 544 15 85-02 | 544 15 84-01 | 1 | |
| 3 | 544 15 85-02 | 537 28 32-01 | 1 | |
| 4 | 544 15 85-02 | 537 24 17-01 | 1 | |
| 5 | 544 15 85-02 | 503 21 28-10 | 2 | |
| 6 | 544 15 85-02 | 537 42 32-01 | 1 | |
| 7 | 544 15 85-02 | 537 42 34-01 | 1 | |
| 8 | 544 15 85-02 | 537 42 33-01 | 1 | |
| 9 | 544 15 85-02 | 537 42 66-01 | 1 | |
| 10 | 544 15 85-02 | 505 30 51-25 | 1 | |
| 11 | 544 15 85-02 | 537 23 25-01 | 1 | |
| 12 | 544 15 85-02 | 503 21 73-21 | 4 | |
| 13 | | 544 37 71-01 | 1 | |
| 14 | | 544 08 15-01 | 1 | |
| 15 | | 544 37 71-02 | 1 | |



| Pos. | Compl No. | Part No. | Quantity | Notes |
|-------------|------------------|-----------------|-----------------|--------------|
| 1 | | 544 11 18-01 | 1 | |
| 2 | 544 11 18-01 | 537 24 56-01 | 2 | |
| 3 | 544 11 18-01 | 501 81 99-03 | 2 | |
| 4 | 544 11 18-01 | 503 23 00-42 | 2 | |
| 5 | 544 11 18-01 | 503 78 32-01 | 2 | |
| 6 | | 503 22 04-01 | 1 | |
| 7 | | 544 24 38-01 | 1 | |
| 8 | | 544 08 28-01 | 1 | |
| 9 | | 503 20 02-20 | 2 | |



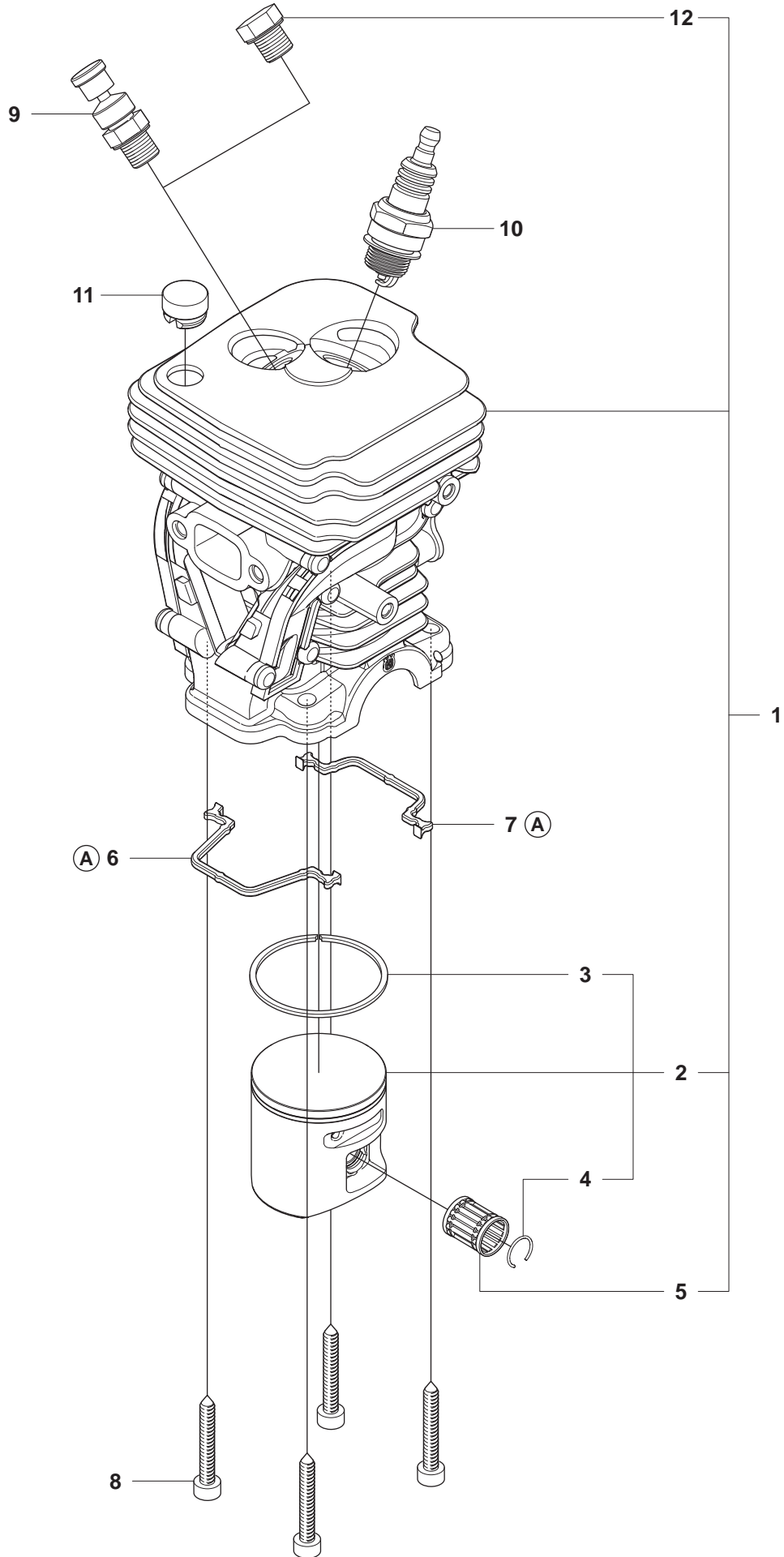
| Pos. | Compl No. | Part No. | Quantity | Notes |
|-------------|------------------|-----------------|-----------------|--------------|
| 1 | | 544 14 77-01 | 1 | |
| 2 | 544 14 77-01 | 544 14 84-01 | 1 | |
| 3 | | 544 08 31-01 | 1 | |
| 4 | | 544 08 44-01 | 1 | |
| 5 | | 725 53 68-55 | 2 | |



| Pos. | Compl No. | Part No. | Quantity | Notes |
|-------------|------------------|-----------------|-----------------|--------------|
| 1 | | 544 08 23-01 | 1 | |
| 2 | | 503 20 02-16 | 4 | |
| 3 | | 544 08 38-01 | 1 | |
| 4 | | 544 08 40-01 | 1 | |
| 5 | | 503 21 07-25 | 2 | |
| 6 | | 544 08 41-01 | 1 | |
| 7 | | 544 14 82-01 | 1 | |
| 8 | | 544 14 78-01 | 1 | |
| 9 | | 544 08 05-01 | 1 | |
| 10 | 544 08 05-01 | 501 98 14-01 | 1 | |
| 11 | 544 08 05-01 | 544 23 14-01 | 1 | |
| 12 | | 503 93 66-01 | 1 | Air purge |
| 13 | | 537 42 58-01 | 1 | Sugslang |
| 14 | | 544 12 97-01 | 1 | Returslang |
| 15 | | 544 35 99-02 | 1 | |
| 16 | | 503 21 07-50 | 2 | |
| 17 | | 544 08 08-01 | 1 | LS PA 80 |
| 17 | | 544 08 08-02 | 1 | LS PA 44 |
| 17 | | 544 08 08-03 | 1 | Felt |
| 18 | 544 14 82-01 | 502 08 10-01 | 1 | |
| 19 | 544 14 82-01 | 502 08 11-01 | 1 | |
| 20 | 544 14 82-01 | 502 08 08-01 | 1 | |
| 21 | 544 14 82-01 | 502 08 12-01 | 1 | |
| 22 | 544 14 82-01 | 503 48 18-01 | 1 | |
| 23 | 544 14 82-01 | 537 38 52-01 | 1 | |
| 24 | 544 14 82-01 | 502 08 09-01 | 1 | |
| 25 | 544 35 99-02 | 735 58 30-00 | 1 | |

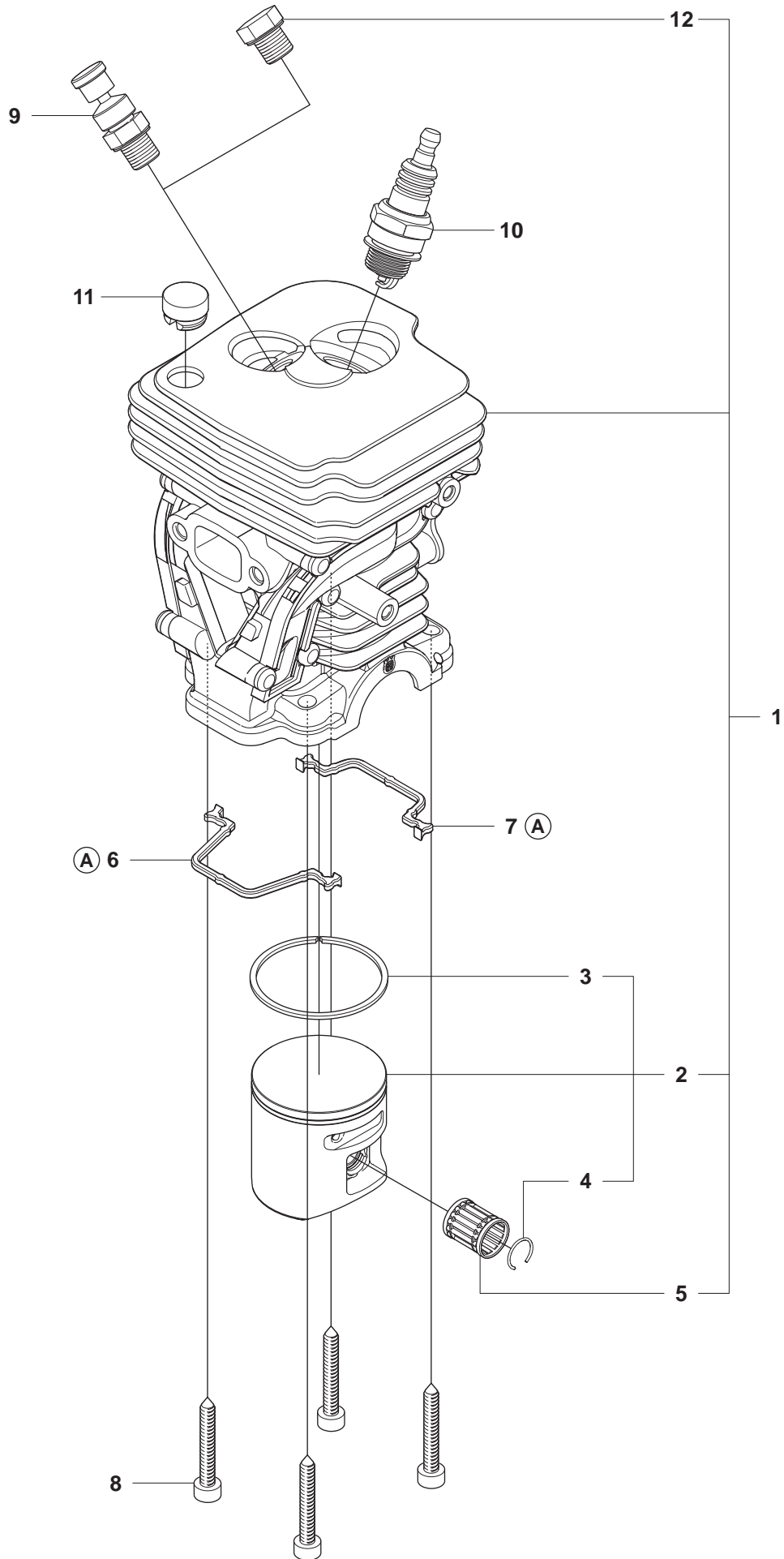
H1

445, 445e

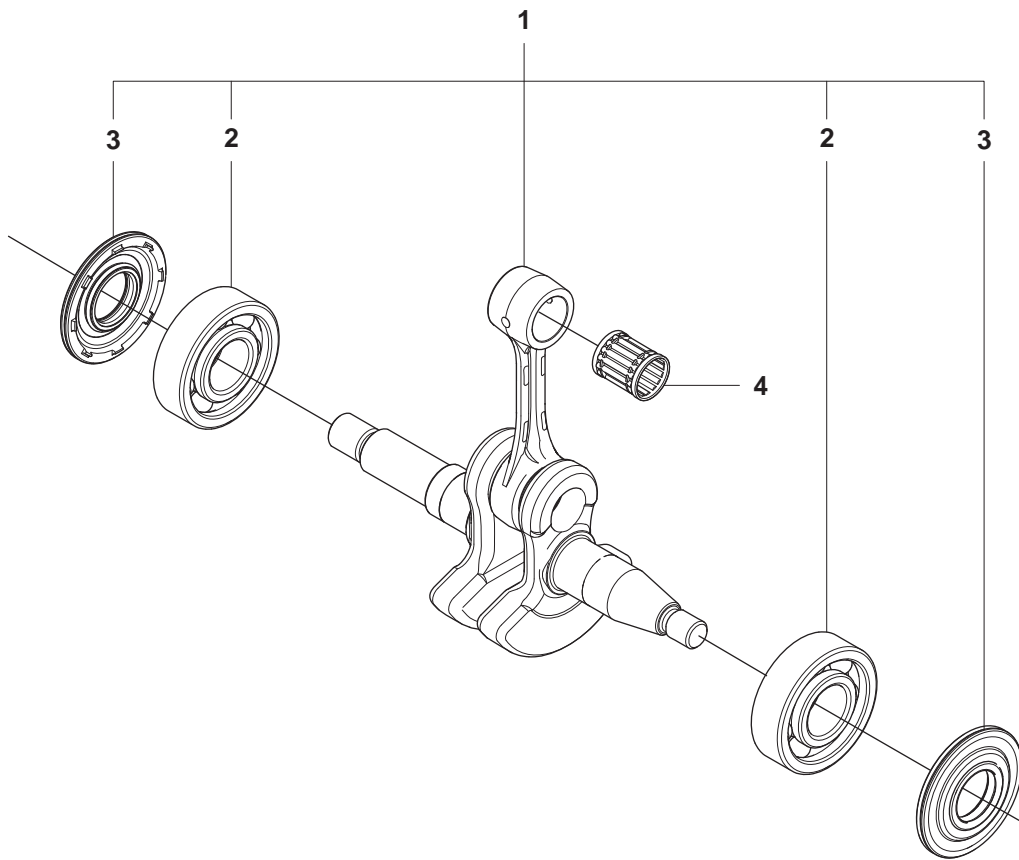


| Pos. | Compl No. | Part No. | Quantity | Notes |
|-------------|------------------|-----------------|-----------------|--------------|
| 1 | | 544 11 99-02 | 1 | |
| 2 | 544 11 99-02 | 544 08 84-03 | 1 | |
| 3 | 544 08 84-03 | 537 40 11-01 | 1 | |
| 4 | 544 11 99-02 | 544 21 13-01 | 1 | |
| 5 | 544 11 99-02 | 501 45 16-01 | 1 | |
| 6 | | 544 10 87-01 | 1 | |
| 7 | | 544 10 92-01 | 1 | |
| 8 | | 503 20 05-27 | 4 | |
| 9 | | 544 87 07-01 | 1 | |
| 10 | | 503 23 51-11 | 1 | |
| 11 | | 540 05 73-01 | 1 | |
| 12 | | 503 55 22-01 | 1 | |

H2 450e

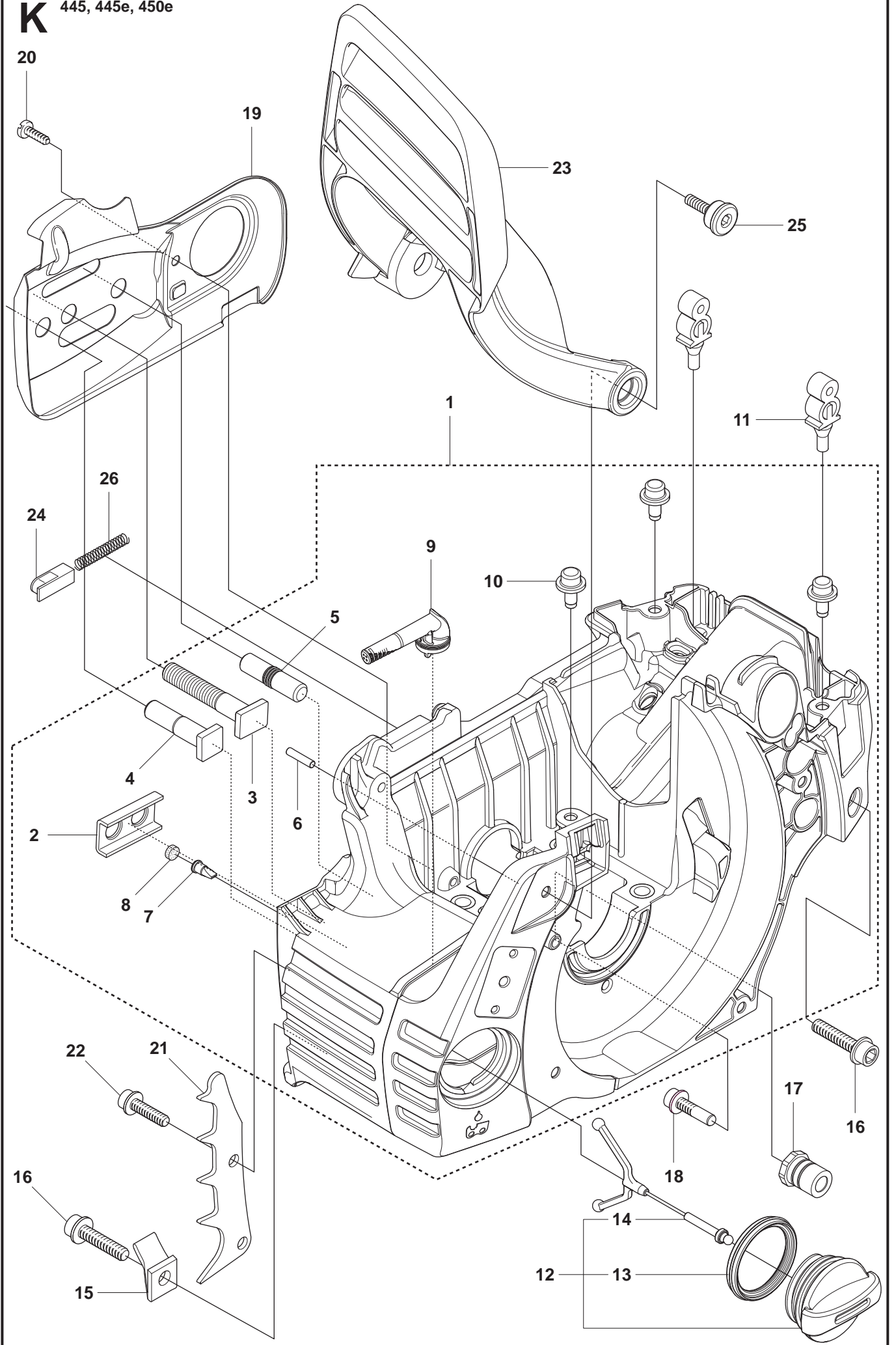


| Pos. | Compl No. | Part No. | Quantity | Notes |
|-------------|------------------|-----------------|-----------------|--------------|
| 1 | | 544 11 98-02 | 1 | |
| 2 | 544 11 98-02 | 544 08 89-03 | 1 | |
| 3 | 544 08 89-03 | 544 08 87-01 | 1 | |
| 4 | 544 11 98-02 | 544 21 13-01 | 1 | |
| 5 | 544 11 98-02 | 501 45 16-01 | 1 | |
| 6 | | 544 10 87-01 | 1 | |
| 7 | | 544 10 92-01 | 1 | |
| 8 | | 503 20 05-27 | 4 | |
| 9 | | 544 87 07-01 | 1 | |
| 10 | | 503 23 51-11 | 1 | |
| 11 | | 540 05 73-01 | 1 | |
| 12 | | 503 55 22-01 | 1 | |

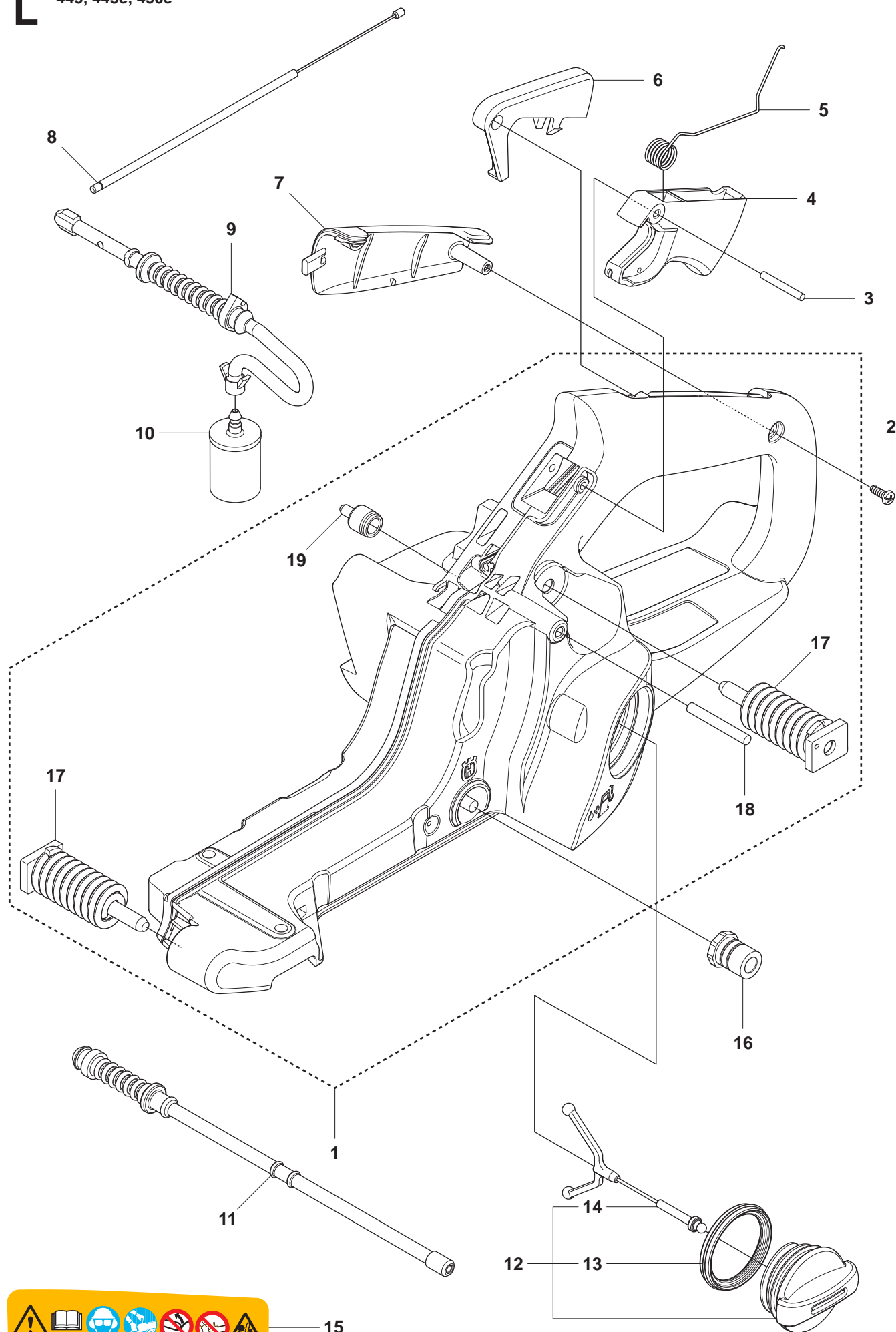


| Pos. | Compl No. | Part No. | Quantity | Notes |
|-------------|------------------|-----------------|-----------------|--------------|
| 1 | | 544 06 19-01 | 1 | |
| 2 | 544 06 19-01 | 544 06 20-01 | 2 | |
| 3 | 544 06 19-01 | 544 01 38-01 | 2 | |
| 4 | | 501 45 16-01 | 1 | |

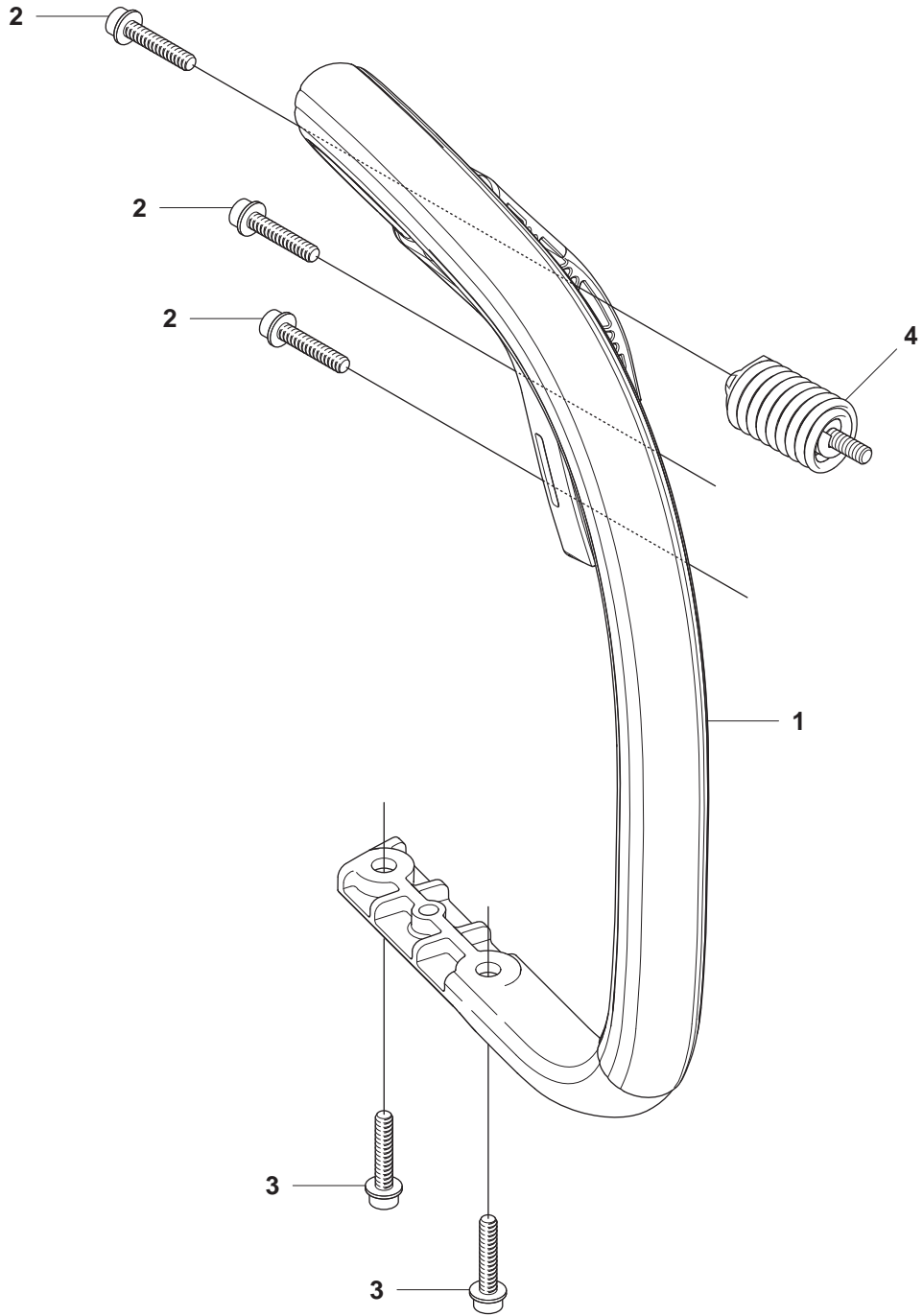
K 445, 445e, 450e



| Pos. | Compl No. | Part No. | Quantity | Notes |
|-------------|------------------|-----------------|-----------------|--------------|
| 1 | | 537 43 82-01 | 1 | |
| 2 | 537 43 82-01 | 503 87 58-02 | 1 | |
| 3 | 537 43 82-01 | 503 87 54-02 | 1 | |
| 4 | 537 43 82-01 | 537 33 46-01 | 1 | |
| 5 | 537 43 82-01 | 544 03 64-01 | 1 | |
| 6 | 537 43 82-01 | 503 24 09-05 | 1 | |
| 7 | 537 43 82-01 | 530 02 61-19 | 1 | |
| 8 | 537 43 82-01 | 537 40 35-01 | 1 | |
| 9 | 537 43 82-01 | 544 08 33-01 | 1 | |
| 10 | 537 43 82-01 | 544 33 16-01 | 3 | |
| 11 | | 503 86 93-01 | 2 | |
| 12 | | 544 11 12-01 | 1 | |
| 13 | 544 11 12-01 | 537 21 50-01 | 1 | |
| 14 | 544 11 12-01 | 503 57 89-01 | 1 | |
| 15 | | 503 88 63-01 | 1 | |
| 16 | | 544 31 62-01 | 2 | |
| 17 | | 501 00 76-01 | 2 | |
| 18 | | 503 21 51-03 | 1 | |
| 19 | | 544 09 40-01 | 1 | |
| 20 | | 503 21 70-10 | 1 | |
| 21 | | 503 90 59-01 | 1 | |
| 22 | | 503 21 75-20 | 2 | |
| 23 | | 544 08 26-01 | 1 | |
| 24 | | 503 89 24-01 | 1 | |
| 25 | | 503 89 30-02 | 2 | |
| 26 | | 503 43 65-01 | 1 | |



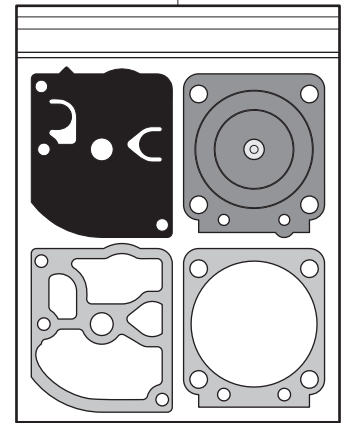
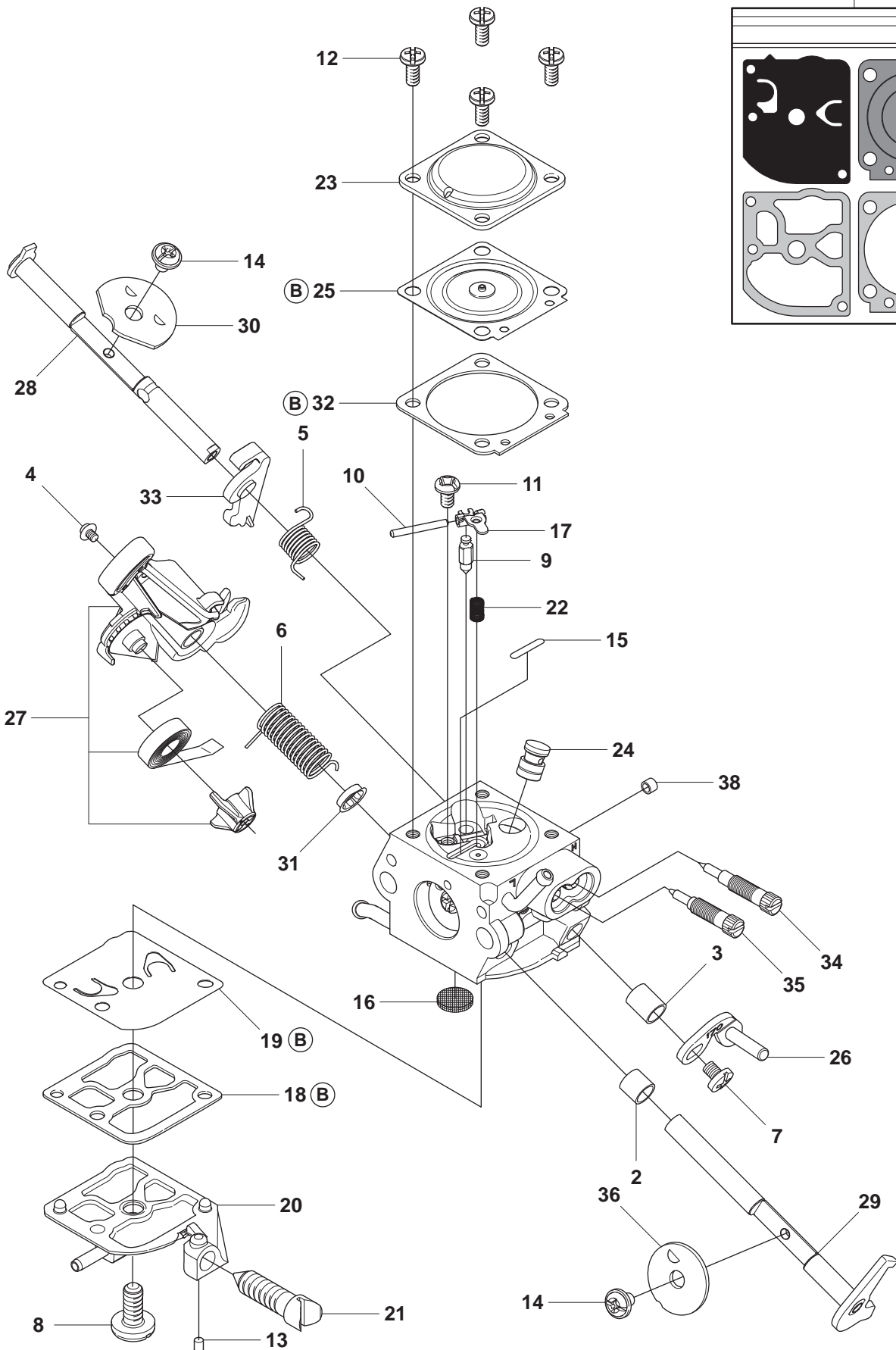
| Pos. | Compl No. | Part No. | Quantity | Notes |
|------|--------------|--------------|----------|-------|
| 1 | | 537 43 79-01 | 1 | |
| 2 | | 503 21 28-10 | 1 | |
| 3 | | 720 18 25-20 | 1 | |
| 4 | | 544 09 97-01 | 1 | |
| 5 | | 544 09 99-01 | 1 | |
| 6 | | 544 09 98-01 | 1 | |
| 7 | | 544 10 00-01 | 1 | |
| 8 | | 544 12 03-01 | 1 | |
| 9 | | 544 12 86-01 | 1 | |
| 10 | | 503 44 32-01 | 1 | |
| 11 | | 544 12 97-01 | 1 | |
| 12 | | 544 11 12-01 | 1 | |
| 13 | 544 11 12-01 | 537 21 50-01 | 1 | |
| 14 | 544 11 12-01 | 503 57 89-01 | 1 | |
| 15 | | 544 37 50-01 | 1 | |
| 16 | | 501 00 76-01 | 1 | |
| 17 | 537 43 79-01 | 544 10 12-01 | 2 | |
| 18 | 537 43 79-01 | 721 12 63-39 | 1 | |
| 19 | 537 43 79-01 | 537 35 95-01 | 1 | |



| Pos. | Compl No. | Part No. | Quantity | Notes |
|-------------|------------------|-----------------|-----------------|----------------------|
| 1 | | 544 08 39-01 | 1 | HANDTAG |
| 2 | | 544 31 62-01 | 3 | SKRUV IHSCFT,PW6.3X2 |
| 3 | | 503 21 02-70 | 2 | SKRUV IHSCFT,PW6.3X1 |
| 4 | | 503 89 83-01 | 1 | VIB.ISOLATOR,CYL |

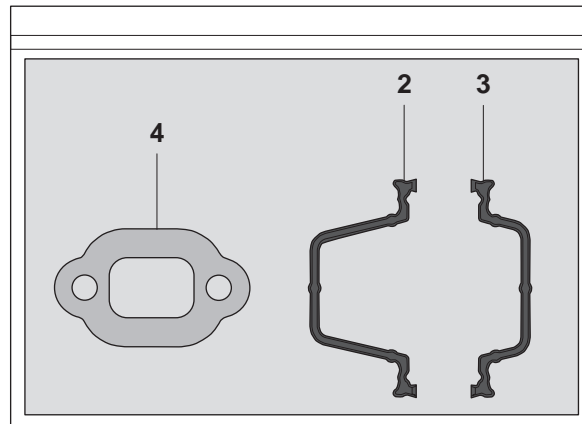
1

37 (B) GND-81



| Pos. | Compl No. | Part No. | Quantity | Notes |
|------|--------------|--------------|----------|-------|
| 1 | | 544 14 78-01 | 1 | |
| 2 | 544 14 78-01 | 502 07 82-01 | 1 | |
| 3 | 544 14 78-01 | 502 07 83-01 | 1 | |
| 4 | 544 14 78-01 | 502 07 84-01 | 1 | |
| 5 | 544 14 78-01 | 502 07 86-01 | 1 | |
| 6 | 544 14 78-01 | 502 07 87-01 | 1 | |
| 7 | 544 14 78-01 | 503 47 90-01 | 1 | |
| 8 | 544 14 78-01 | 503 47 96-01 | 1 | |
| 9 | 544 14 78-01 | 503 47 97-01 | 1 | |
| 10 | 544 14 78-01 | 503 48 00-01 | 1 | |
| 11 | 544 14 78-01 | 503 48 01-01 | 1 | |
| 12 | 544 14 78-01 | 503 48 05-01 | 4 | |
| 13 | 544 14 78-01 | 503 48 11-01 | 1 | |
| 14 | 544 14 78-01 | 503 48 18-01 | 2 | |
| 15 | 544 14 78-01 | 503 53 56-01 | 2 | |
| 16 | 544 14 78-01 | 503 53 57-01 | 1 | |
| 17 | 544 14 78-01 | 503 66 59-01 | 1 | |
| 18 | 544 14 78-01 | 537 02 01-01 | 1 | |
| 19 | 544 14 78-01 | 537 38 31-01 | 1 | |
| 20 | 544 14 78-01 | 502 07 89-01 | 1 | |
| 21 | 544 14 78-01 | 537 38 33-01 | 1 | |
| 22 | 544 14 78-01 | 537 38 34-01 | 1 | |
| 23 | 544 14 78-01 | 537 38 37-01 | 1 | |
| 24 | 544 14 78-01 | 544 23 77-01 | 1 | |
| 25 | 544 14 78-01 | 502 07 90-01 | 1 | |
| 26 | 544 14 78-01 | 502 07 91-01 | 1 | |
| 27 | 544 14 78-01 | 502 07 92-01 | 1 | |
| 28 | 544 14 78-01 | 502 07 94-01 | 1 | |
| 29 | 544 14 78-01 | 502 07 95-01 | 1 | |
| 30 | 544 14 78-01 | 502 24 77-01 | 1 | |
| 31 | 544 14 78-01 | 502 07 98-01 | 1 | |
| 32 | 544 14 78-01 | 537 38 36-01 | 1 | |
| 33 | 544 14 78-01 | 502 08 17-01 | 1 | |
| 34 | 544 14 78-01 | 502 07 99-01 | 1 | |
| 35 | 544 14 78-01 | 502 08 00-01 | 1 | |
| 36 | 544 14 78-01 | 502 08 01-01 | 1 | |
| 37 | 544 14 78-01 | 502 08 02-01 | 1 | |
| 38 | 544 14 78-01 | 544 11 95-01 | 1 | |

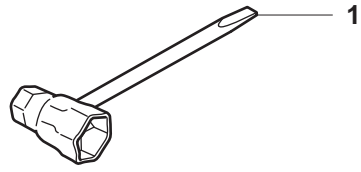
P Levereras endast som reservdel
Delivery as spare part only
Nur als Ersatzteil lieferbar
Livrabable seulement comme pièce de rechange
Solo como repuesto
Zasilà se jenom jako náhradni díl



1 (A)
Packningssats
Set of gaskets
Dichtungssatz
Jeu de joints
Juego de juntas

| Pos. | Compl No. | Part No. | Quantity | Notes |
|-------------|------------------|-----------------|-----------------|--------------|
| 1 | | 544 97 20-01 | 1 | |
| 2 | 544 97 20-01 | 544 10 87-01 | 1 | |
| 3 | 544 97 20-01 | 544 10 92-01 | 1 | |
| 4 | 544 97 20-01 | 544 08 44-01 | 1 | |

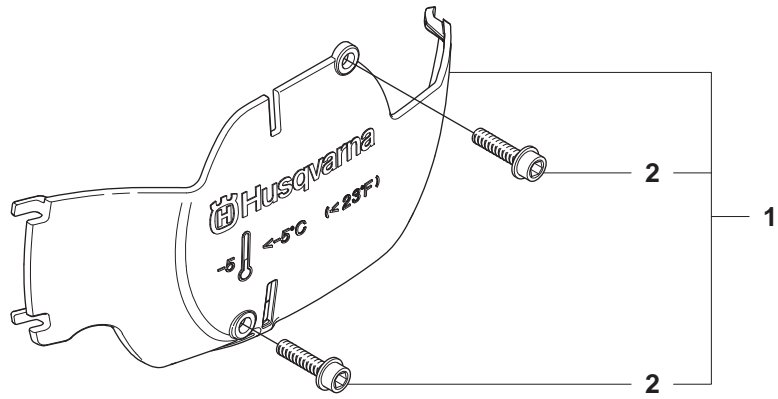
Q Tillbehör
Accessories
Zubehöre
Accessoires
Accesorios



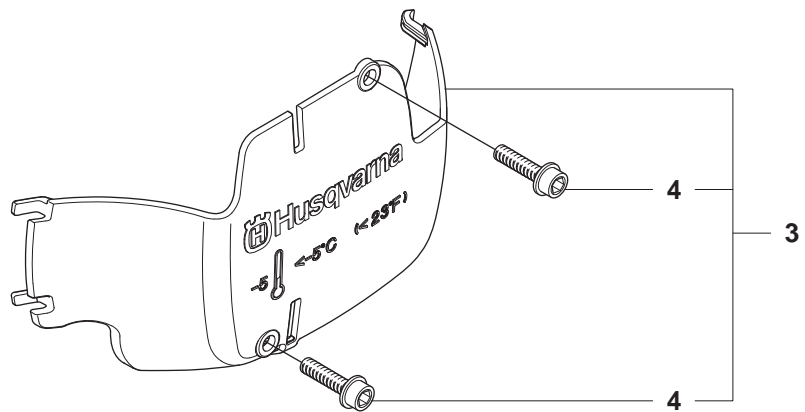
Page Q
445/450

| Pos. | Compl No. | Part No. | Quantity | Notes |
|-------------|------------------|-----------------|-----------------|--------------|
| 1 | | 503 55 85-04 | 1 | |

R 445
WINTER KIT



R 445e, 450e
WINTER KIT



| Pos. | Compl No. | Part No. | Quantity | Notes |
|-------------|------------------|-----------------|-----------------|-------------------|
| 1 | | 544 46 45-01 | 1 | VINTERSATS |
| 2 | 544 46 45-01 | 503 21 70-16 | 2 | |
| 3 | | 544 46 45-02 | 1 | VINTERSATS ELASTO |
| 4 | 544 46 45-02 | 503 21 70-16 | 2 | |