

40, 45, 49, 45 EPA, 49 EPA

(only for US)



1.1998

Spare parts

Ersatzteile

Pièces détachées

Reserve onderdelen

Repuestos

Reservdelar

Replaces

Ersetzt

Remplace

Vervangt

Reemplaza

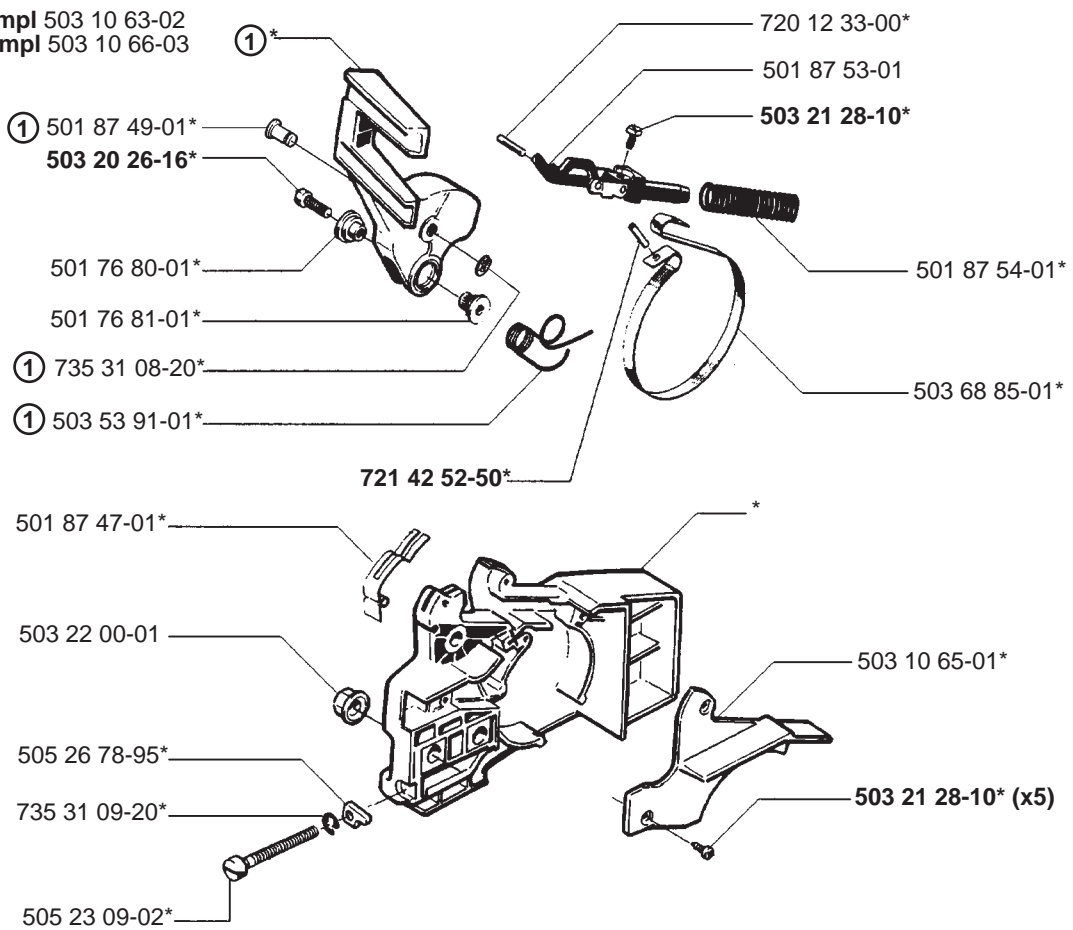
Ersätter

106 22 81-63

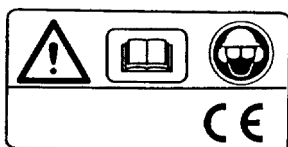
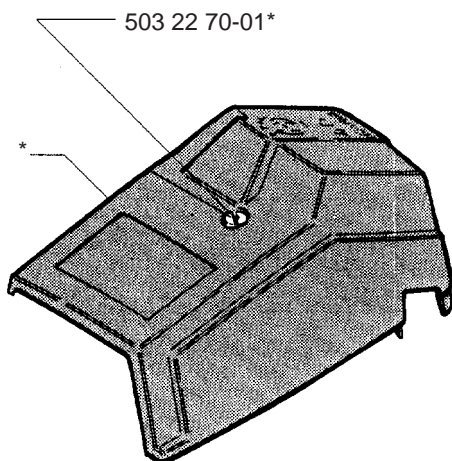
106 24 25-61

A

*compl 503 10 63-02
 ① compl 503 10 66-03

**B**

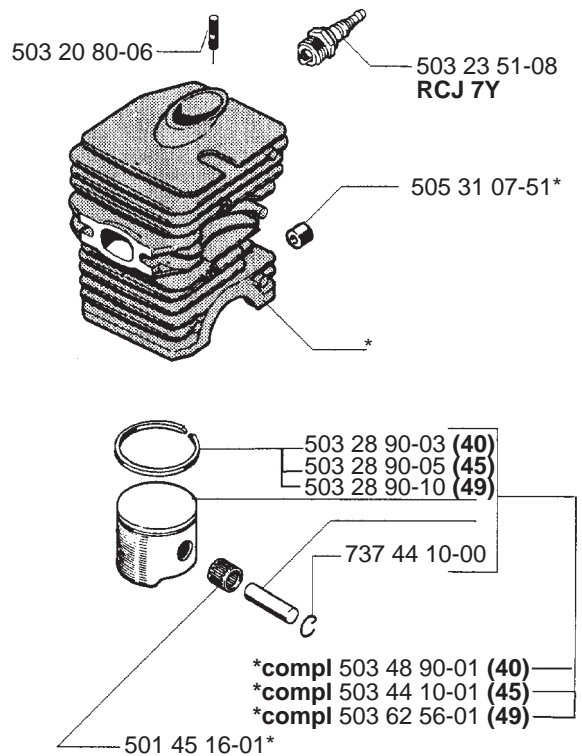
*compl 503 10 61-03
 *compl 503 50 20-03 (USA) (40)
 *compl 503 50 20-04 (USA) (45)
 *compl 503 50 20-05 (USA) (49)

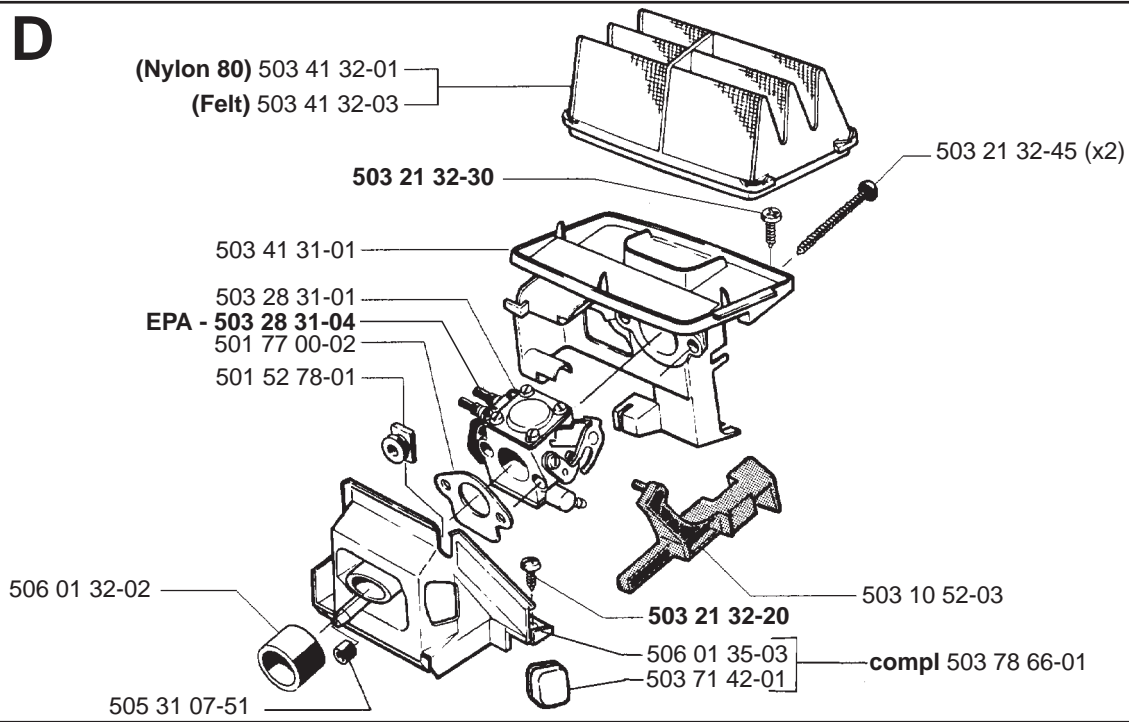
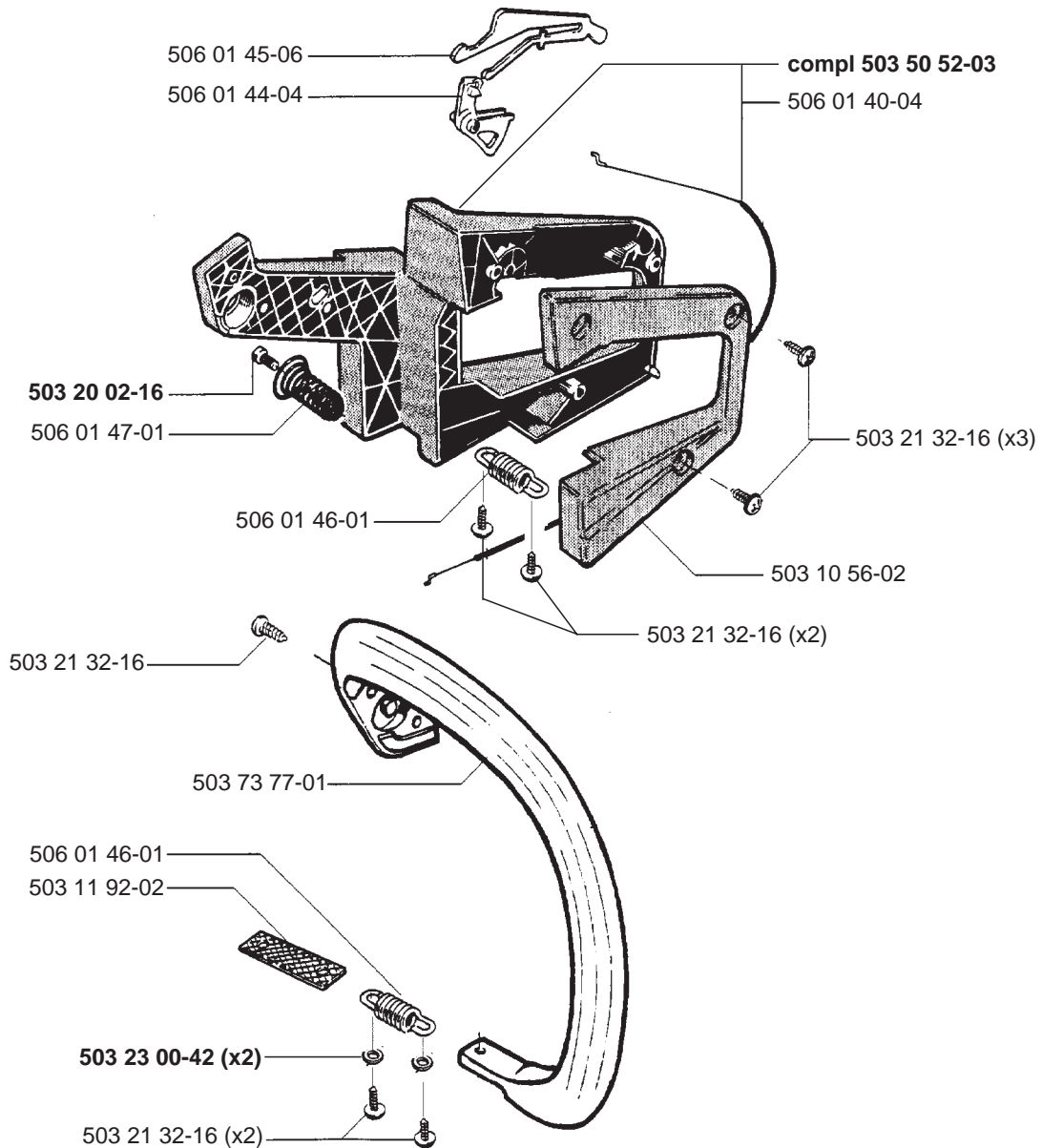


503 78 22-04

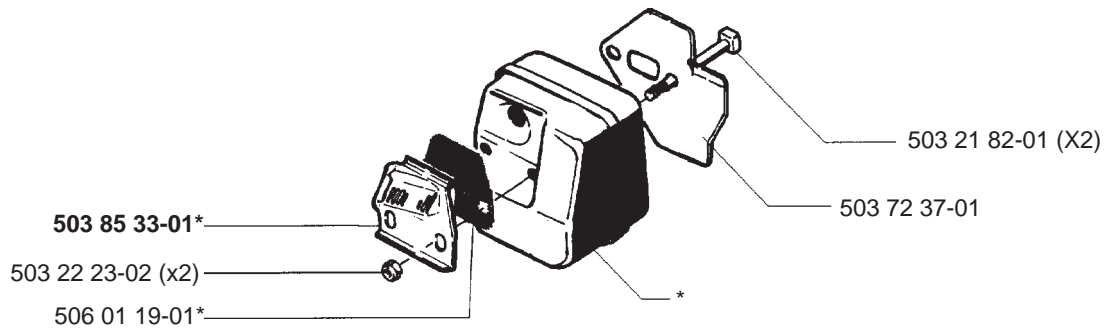
C

*compl 506 01 06-07 (40)
 *compl 503 44 08-02 (45)
 *compl 503 62 55-02 (49)

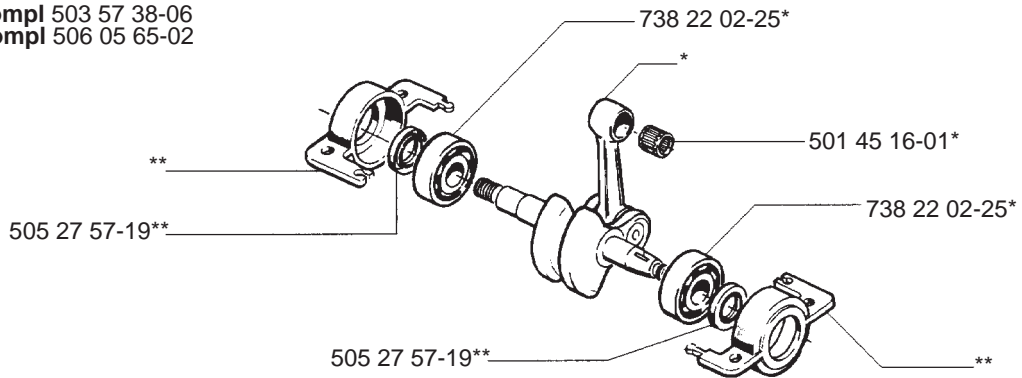


D**E**

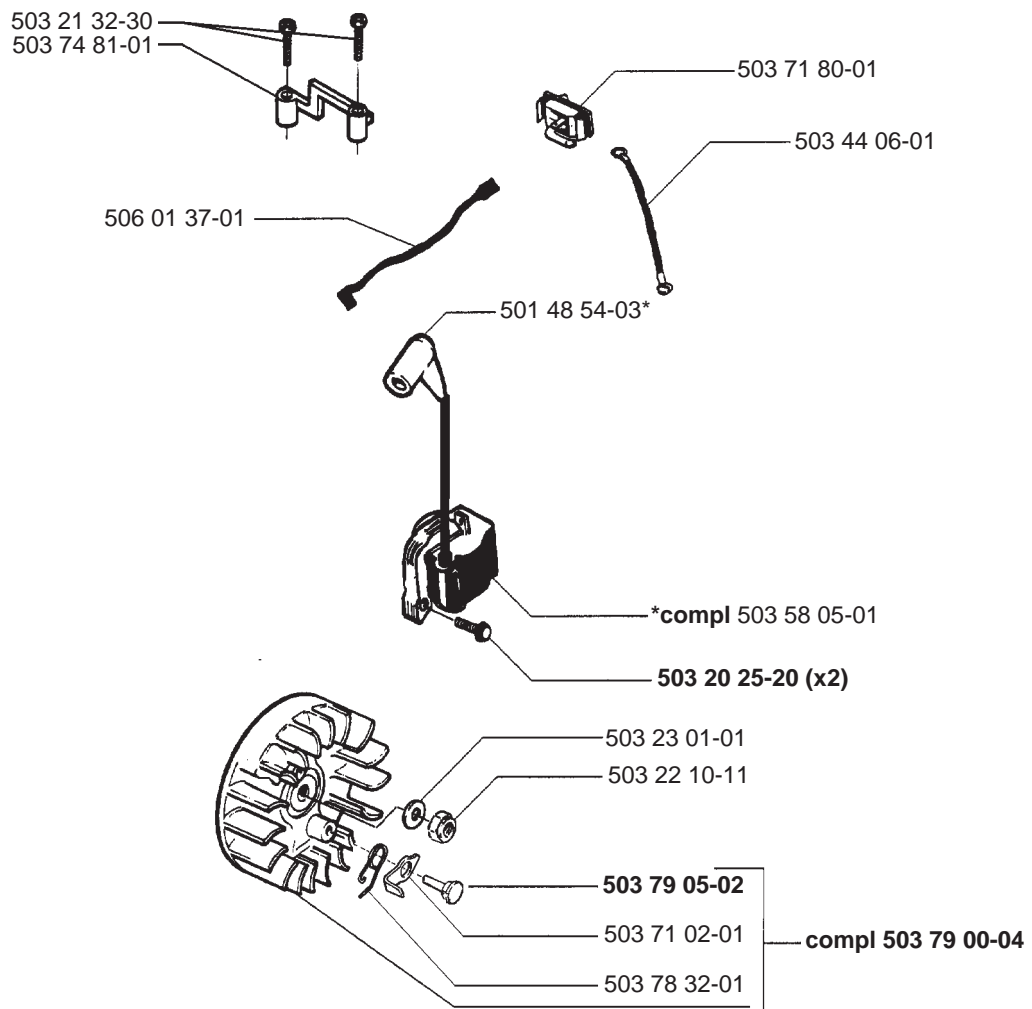
F *compl 503 59 51-03

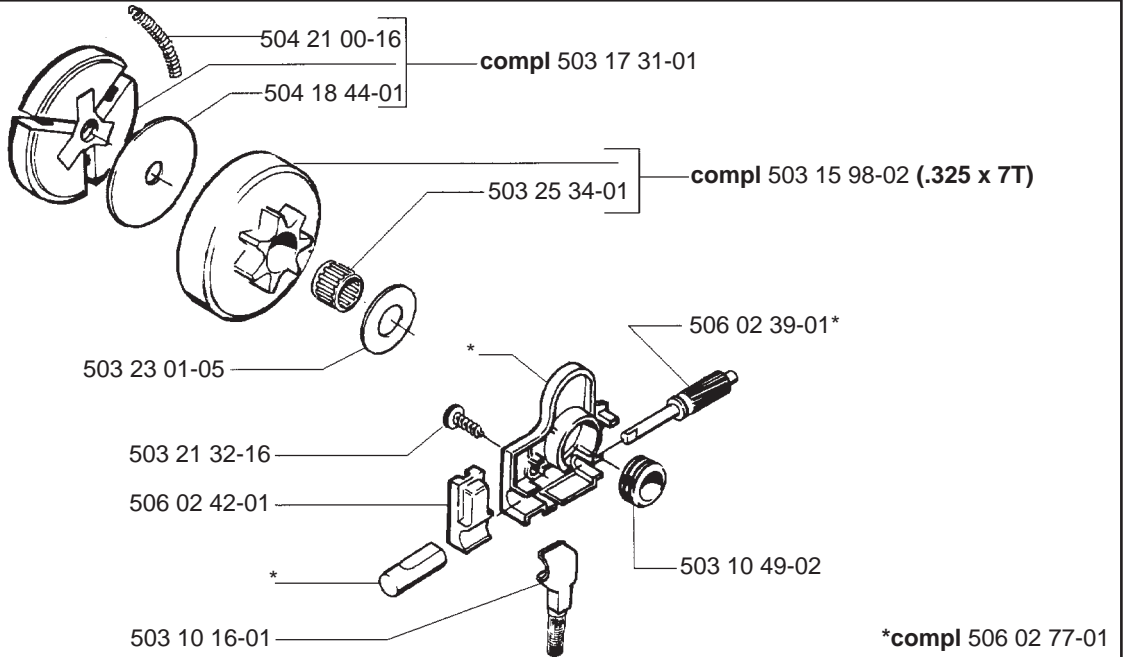


G *compl 503 57 38-06
**compl 506 05 65-02

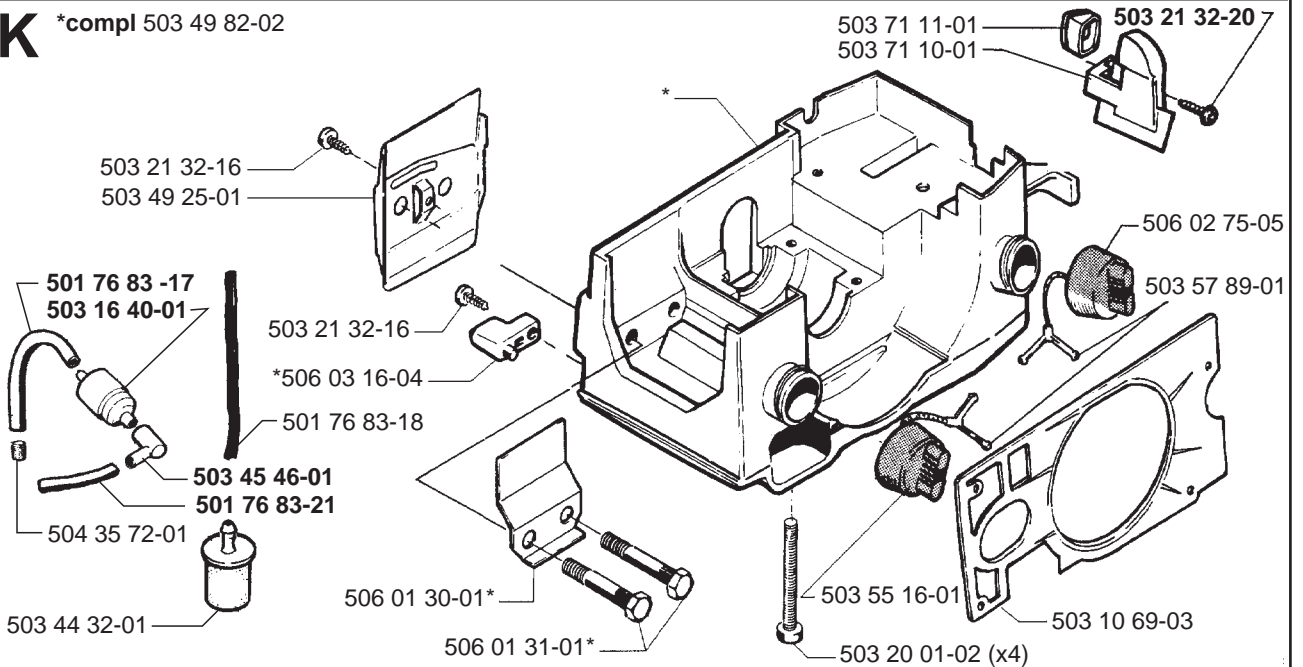


H

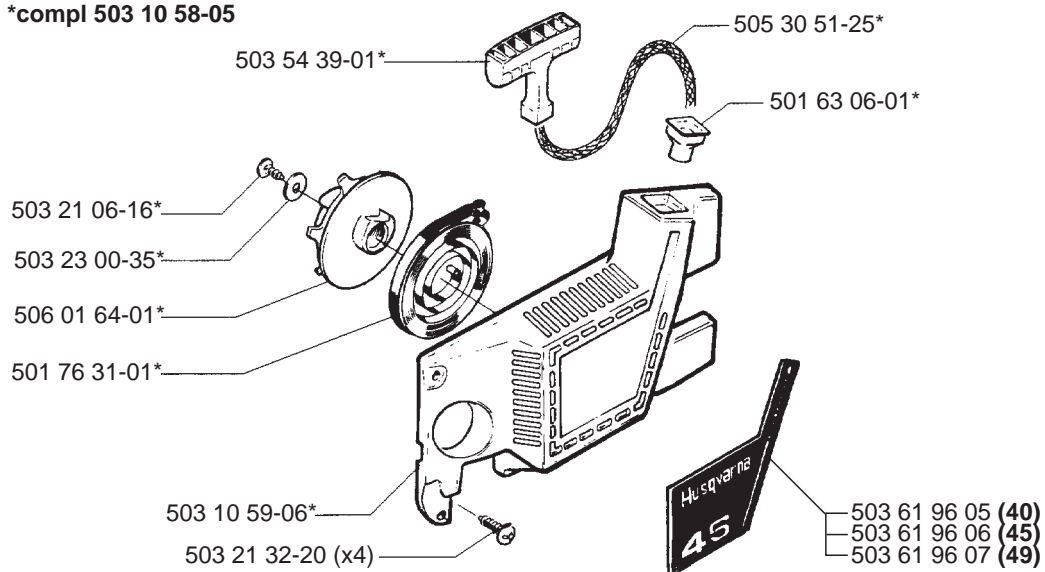


J**K**

*compl 503 49 82-02

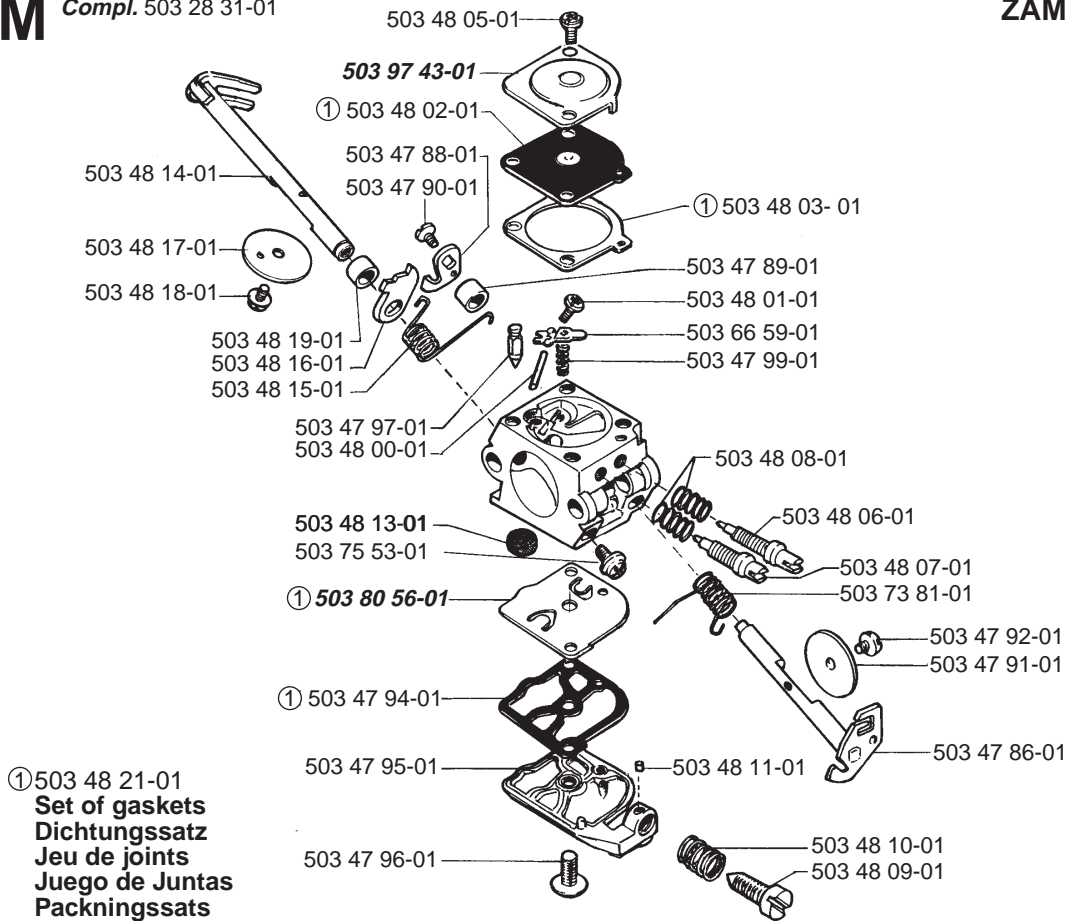
**L**

*compl 503 10 58-05

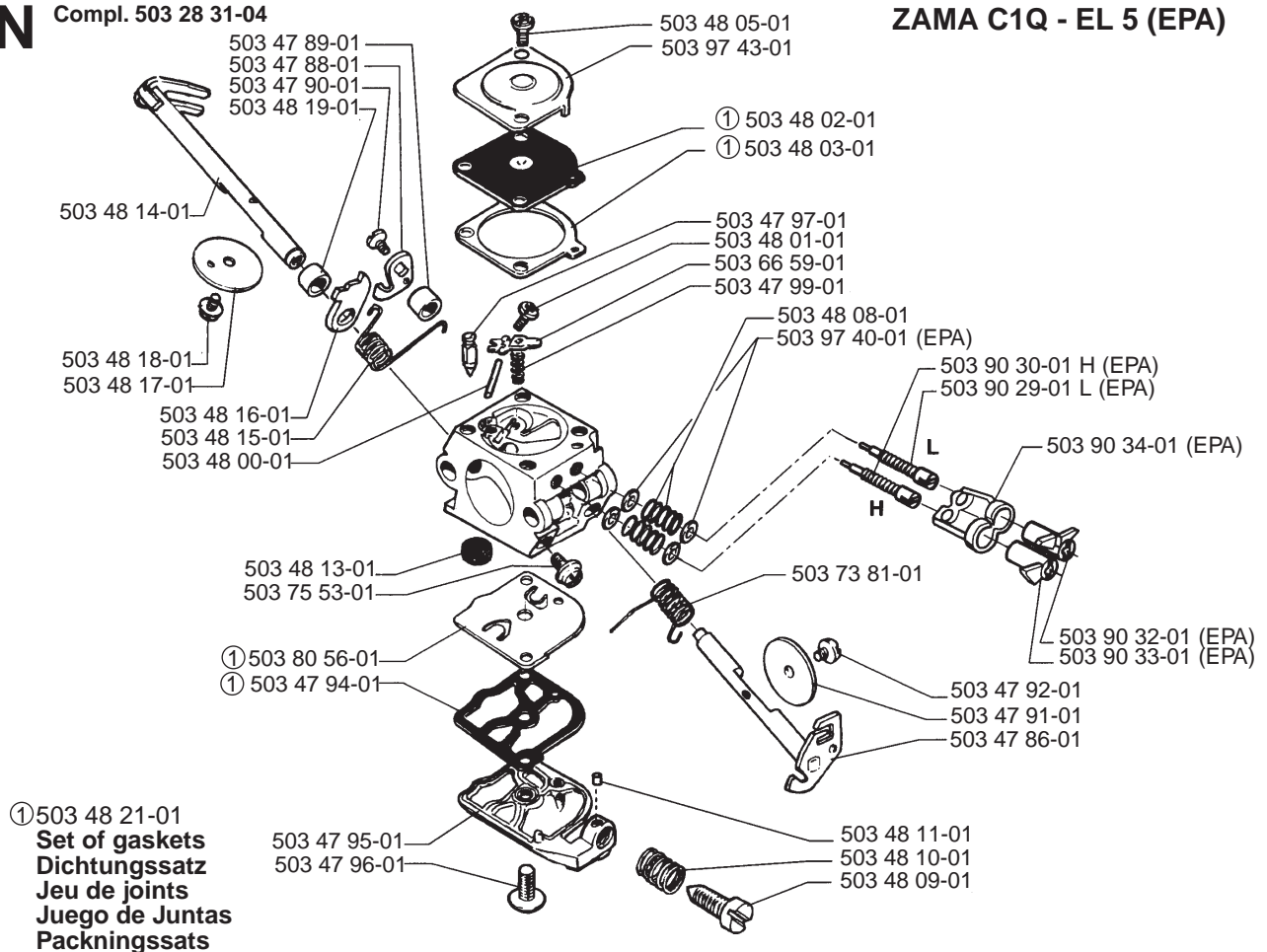


M

Compl. 503 28 31-01

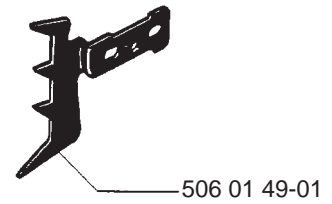
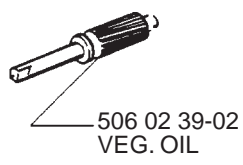
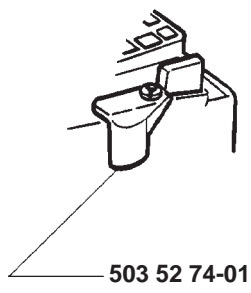
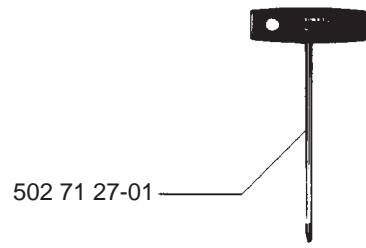
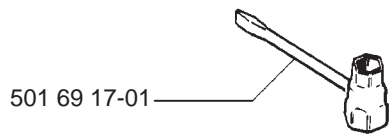
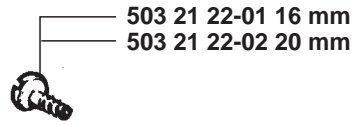
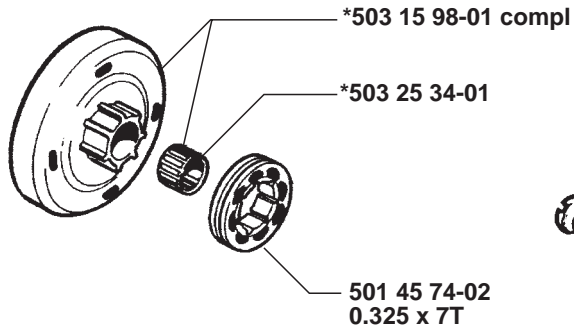
ZAMA C1Q - EL 1**N**

Compl. 503 28 31-04

ZAMA C1Q - EL 5 (EPA)



Accessories
Zubehöre
Accessoires
Acessorios
Tillbehör



MODEL NUMBER PLASTHUS

PART NUMBER	SQUARE	NOTE	PART NUMBER	SQUARE	NOTE	PART NUMBER	SQUARE	NOTE	PART NUMBER	SQUARE	NOTE
501 45 16-01	CG		503 45 46-01	K	N	503 90 29-01	N	N EPA			
501 45 74-02	O	N	503 47 86-01	MN		503 90 30-01	N	N EPA			
501 48 54-03	H		503 47 88-01	MN		503 90 32-01	N	N EPA			
501 52 78-01	D		503 47 89-01	MN		503 90 33-01	N	N EPA			
501 63 06-01	L		503 47 90-01	MN		503 90 34-01	N	N EPA			
501 69 17-01	O		503 47 91-01	MN		503 97 40-01	N	N EPA			
501 76 31-01	L		503 47 92-01	MN	N	503 97 43-01	MN	N			
501 76 80-01	A		503 47 94-01	MN	1	504 18 44-01	J				
501 76 81-01	A		503 47 95-01	MN		504 21 00-16	J				
501 76 83-17	K	N	503 47 96-01	MN		504 35 72-01	K				
501 76 83-18	K		503 47 97-01	MN		505 23 09-02	A				
501 76 83-21	K	N	503 47 99-01	MN		505 26 78-95	A				
501 77 00-02	D		503 48 00-01	MN		505 27 57-19	G				
501 87 47-01	A		503 48 01-01	MN		505 30 51-25	L				
501 87 49-01	A		503 48 02-01	MN	1	505 31 07-51	CD				
501 87 53-01	A		503 48 03-01	MN	1	506 01 06-07	C	40			
501 87 54-01	A		503 48 05-01	MN		506 01 19-01	F				
502 71 27-01	O		503 48 06-01	M		506 01 30-01	K				
503 10 16-01	J		503 48 07-01	M		506 01 31-01	K				
503 10 49-02	J		503 48 08-01	MN		506 01 32-02	D				
503 10 52-03	D		503 48 09-01	MN		506 01 35-03	D				
503 10 56-02	E		503 48 10-01	MN		506 01 37-01	H				
503 10 58-05	L	N	503 48 11-01	MN		506 01 40-04	E				
503 10 59-06	L		503 48 13-01	MN		506 01 44-04	E				
503 10 61-03	B		503 48 14-01	MN		506 01 45-06	E				
503 10 63-02	A		503 48 15-01	MN		506 01 46-01	E				
503 10 65-01	A		503 48 16-01	MN		506 01 47-01	E				
503 10 66-03	A		503 48 17-01	MN		506 01 49-01	O				
503 10 69-03	K		503 48 18-01	MN		506 01 64-01	L				
503 11 92-02	E		503 48 19-01	MN		506 02 39-01	J				
503 15 98-01	O	N	503 48 21-01	MN	1	506 02 39-02	O				
503 15 98-02	J		503 48 90-01	C	40	506 02 42-01	J				
503 16 40-01	K	N	503 49 25-01	K		506 02 75-05	K				
503 17 31-01	J		503 49 82-02	K		506 02 77-01	J				
503 20 01-02	K		503 50 20-03	B	40	506 03 16-04	K				
503 20 02-16	E	N	503 50 20-04	B	45	506 05 65-02	G				
503 20 25-20	H	N	503 50 20-05	B	49	720 12 33-00	A				
503 20 26-16	A	N	503 50 52-03	E	N	721 42 52-50	A	N			
503 20 80-06	C		503 52 74-01	O	N	735 31 08-20	A				
503 21 06-16	L		503 53 91-01	A		735 31 09-20	A				
503 21 22-01	O	N	503 54 39-01	L		737 44 10-00	C				
503 21 22-02	O	N	503 55 16-01	K		738 22 02-25	G				
503 21 28-10	A	N	503 57 38-06	G							
503 21 32-16	EJK		503 57 89-01	K							
503 21 32-20	DKL		503 58 05-01	H							
503 21 32-30	DH		503 59 51-03	F	N						
503 21 32-45	D		503 61 96-05	L	40						
503 21 82-01	F		503 61 96-06	L							
503 22 00-01	A		503 61 96-07	L	49						
503 22 10-11	H		503 62 55-02	C	49						
503 22 23-02	F		503 62 56-01	C	49						
503 22 70-01	B		503 66 59-01	MN							
503 23 00-35	L		503 68 85-01	A							
503 23 00-42	E	N	503 71 02-01	H							
503 23 01-01	H		503 71 10-01	K							
503 23 01-05	J		503 71 11-01	K							
503 23 51-08	C		503 71 42-01	D							
503 25 34-01	JO		503 71 80-01	H							
503 28 31-01	DM		503 72 37-01	F							
503 28 31-04	DN	N EPA	503 73 77-01	E							
503 28 90-03	C	40	503 73 81-01	MN							
503 28 90-05	C	45	503 74 81-01	H							
503 28 90-10	C	49	503 75 53-01	MN							
503 41 31-01	D		503 78 22-04	B	N						
503 41 32-01	D		503 78 32-01	H							
503 41 32-03	D		503 78 66-01	D							
503 44 06-01	H		503 79 00-04	H	N						
503 44 08-02	C		503 79 05-02	H	N						
503 44 10-01	C		503 80 56-01	MN	N 1						
503 44 32-01	K		503 85 33-01	F	N						

EPA=Environmental protection Agency (USA only)

1= Set of gaskets
Dichtunssatz
Jeu de joints
Juego de juntas
Packningssats

N=New part
Neues Teil
Nouvelle pièce
Nueva pieza
Ny detalj

40=Model 40 only
45=Model 45 only
49=Model 49 only