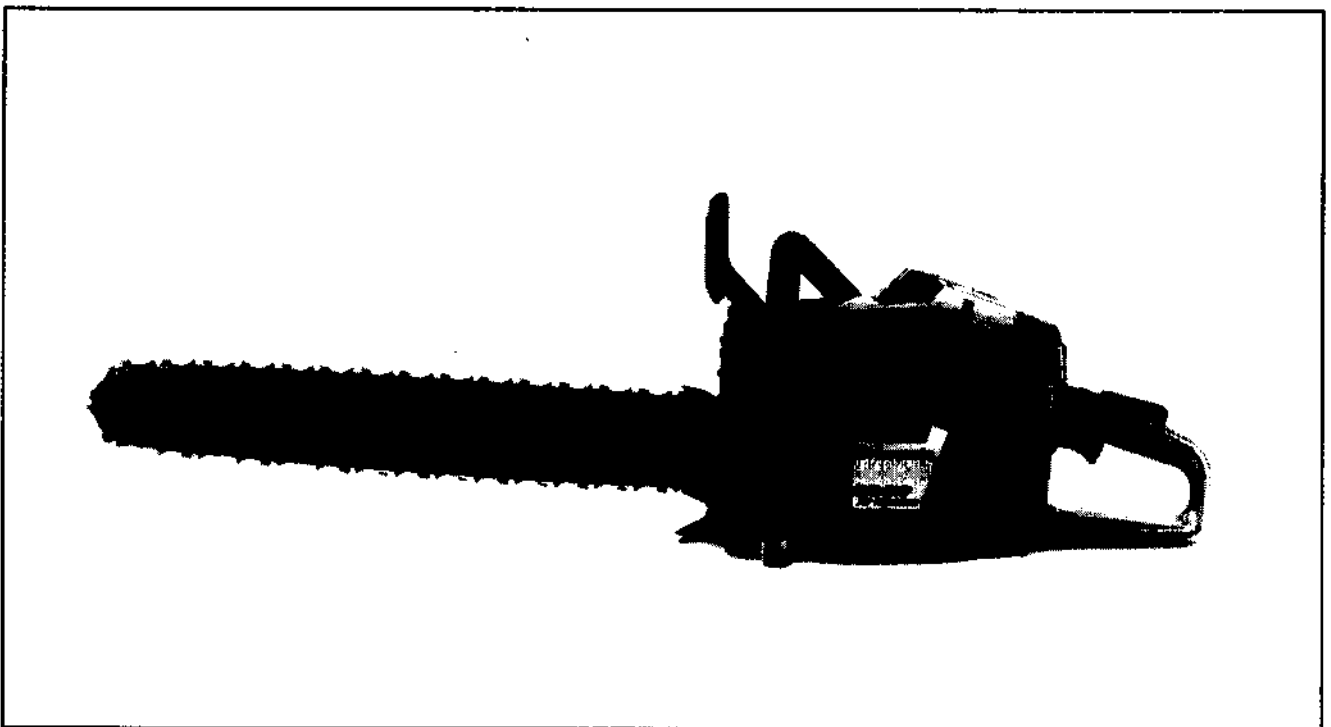


394



2.1992

Spare parts

Ersatzteile

Pièces détachées

Repuestos

Reservdelar

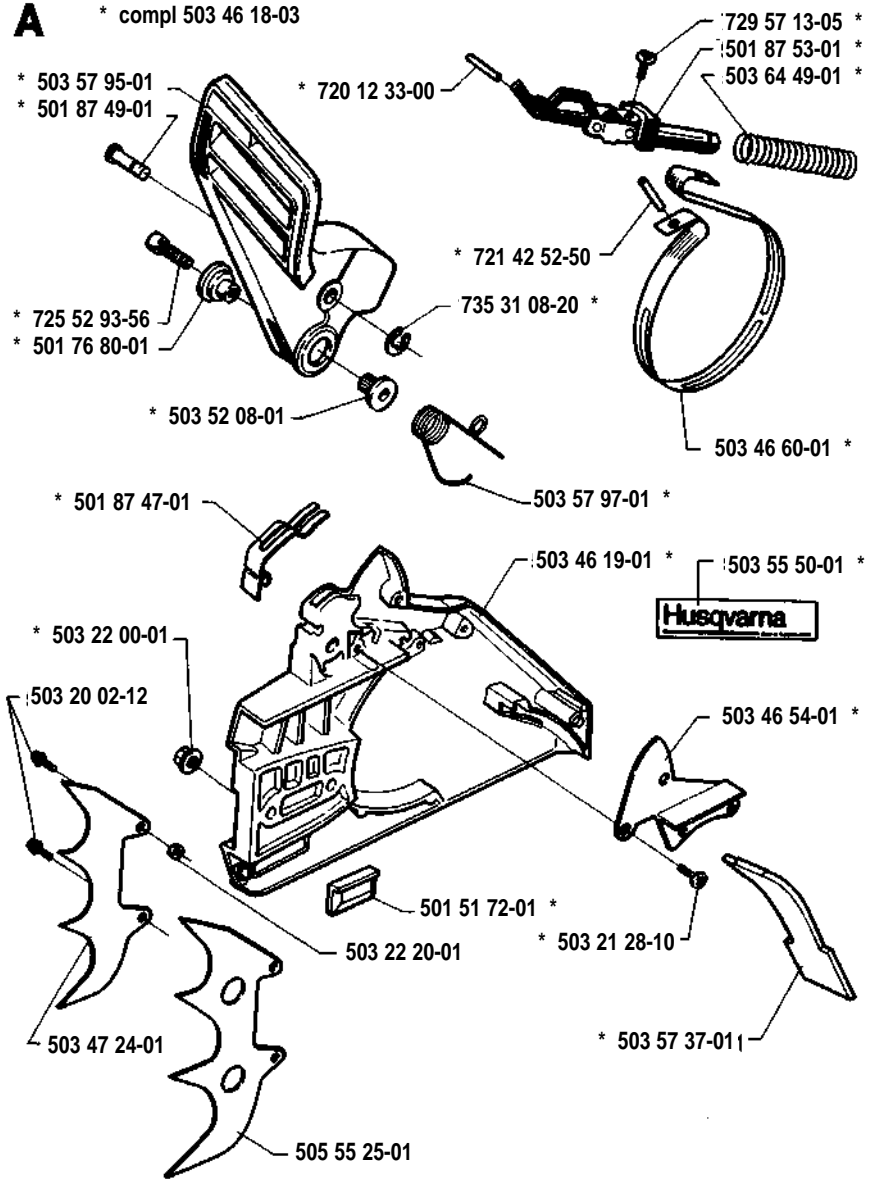
MODEL NUMBER 394

PARTNUMBER	SQUARE	NOTE	PARTNUMBER	SQUARE	NOTE	PARTNUMBER	SQUARE	NOTE	PARTNUMBER	SQUARE	NOTE
501 08 17-01	L		503 22 10-02	L		503 47 48-01	N		721 42 03-25	J	
501 20 15-03	M		503 22 20-01	A		503 47 49-01	C	1	721 42 32-50	K	
501 28 85-01	J		503 22 20-02	F,R		503 48 35-01	N		721 42 52-50	A	
501 46 75-01	N	2	503 23 00-14	J		503 48 40-01	N		724 13 25-55	K	
501 46 87-01	N		503 23 00-19	J		503 48 45-01	E		724 32 24-05	E	
501 48 53-03	K		503 23 00-24	M		503 51 71-01	E		725 52 93-56	A	
501 48 54-02	L		503 23 00-42	L		503 52 04-01	E		725 52 95-55	L	
501 51 54-02	F,R		503 23 10-02	J		503 52 08-01	A		725 53 29-55	K	
501 51 72-01	A,K		503 23 51-09	C		503 52 21-01	C		725 53 31-55	D	
501 51 99-01	J		503 25 00-02	G		503 52 29-01	F,R		725 53 33-55	K	
501 52 78-01	K		503 25 30-01	J		503 52 37-01	D		725 53 37-55	K	
501 53 73-01	K		503 26 02-05	K		503 52 40-01	K		725 53 43-55	K	
501 53 74-01	K		503 26 30-11	E		503 52 44-01	D		725 53 45-55	D	
501 54 41-02	J		503 28 12-11	D,M		503 52 64-02	B		735 11 73-50	L	
501 54 48-01	J		503 28 90-24	C		503 52 65-01	B		735 31 08-20	A	
501 59 79-02	J		503 41 79-01	P		503 52 78-01	L		735 88 06-00	G	
501 59 80-02	J		503 42 14-01	J		503 52 87-01	H,P		737 44 13-00	C	
501 60 02-02	Q		503 42 24-01	J		503 54 34-01	B		740 44 07-00	K	
501 61 52-01	Q	N	503 44 44-01	K		503 54 35-01	B				
501 66 61-01	N		503 44 72-01	D		503 55 22-01	Q	N			
501 67 32-01	L		503 44 72-02	D		503 55 24-01	K				
501 67 33-02	Q		503 44 72-03	D		503 55 25-01	A				
501 67 35-01	L		503 46 00-71	C		503 55 50-01	A				
501 68 89-01	Q		503 46 09-01	E		503 55 58-01	K				
501 69 17-01	Q		503 46 18-03	A		503 55 66-01	E				
501 76 80-01	A		503 46 19-01	A		503 55 75-01	J				
501 79 51-02	E		503 46 19-02	R	N	503 57 37-01	A				
501 81 49-01	G		503 46 24-01	L		503 57 41-01	N				
501 81 57-01	K		503 46 25-01	M		503 57 76-01	E				
501 81 74-01	C,G		503 46 32-01	P		503 57 95-01	A				
501 81 96-02	E		503 46 35-01	H		503 57 97-01	A				
501 81 99-02	L		503 46 37-02	J		503 59 58-01	N				
501 83 93-02	K		503 46 40-01	J		503 60 04-01	E	N			
501 83 98-04	L		503 46 42-01	J		503 60 14-01	M	N			
501 87 31-01	E		503 46 43-01	J		503 62 12-01	Q				
501 87 47-01	A		503 46 48-01	N		503 62 58-01	D				
501 87 49-01	A		503 46 51-01	D		503 62 59-01	J				
501 87 53-01	A		503 46 52-01	D		503 62 59-02	J				
501 89 67-02	M		503 46 54-01	A		503 63 12-01	Q				
501 91 14-01	Q		503 46 55-01	K		503 63 27-01	N				
502 10 31-01	N		503 46 56-01	C	1	503 63 31-01	N				
502 11 98-01	N		503 46 57-01	D	1	503 63 40-01	L				
503 08 84-01	N	2	503 46 58-01	D	1	503 63 45-01	P	N			
503 08 97-02	L		503 46 60-01	A		503 63 56-01	N				
503 10 87-01	N		503 46 61-01	F		503 63 57-01	N				
503 11 70-01	N		503 46 62-01	F		503 63 58-01	N	2			
503 11 71-01	N		503 46 63-01	R		503 63 59-01	N				
503 11 72-01	N	2	503 46 71-01	F		503 63 60-01	N				
503 11 73-01	N	2	503 46 77-01	K		503 63 61-01	N				
503 11 75-01	N		503 46 80-02	K	N	503 63 62-01	N				
503 11 77-01	N		503 46 83-01	K		503 63 63-01	N				
503 13 50-01	M		503 46 84-01	K		503 63 64-01	N				
503 14 32-02	R	N	503 46 85-01	E		503 63 65-01	N				
503 14 49-01	R	N	503 46 88-01	E		503 63 98-01	L				
503 14 51-01	R	N	503 46 88-02	E,R	N	503 64 49-01	A	N			
503 20 02-10	F,R		503 46 95-01	E		503 66 45-01	R	N			
503 20 02-12	A	N	503 46 95-02	E,R	N	503 66 55-01	C	N			
503 20 02-16	FHKPR		503 47 00-01	K		504 21 00-50	N				
503 20 02-25	E,K		503 47 05-01	K		505 31 67-02	N				
503 20 02-35	D		503 47 11-01	E		505 31 67-07	N				
503 20 34-19	M		503 47 12-01	D		505 31 67-17	N				
503 20 34-25	B		503 47 16-01	K		505 31 67-23	N				
503 21 05-22	H,K,P		503 47 18-01	J		505 31 67-31	N				
503 21 06-16	M		503 47 19-01	J		505 31 67-34	N				
503 21 27-10	K		503 47 23-01	F		506 02 83-01	N				
503 21 28-10	A,L		503 47 24-01	A		506 15 56-02	C				
503 21 60-25	C		503 47 26-01	M		530 03 50-15	N				
503 21 85-02	F,R		503 47 34-01	E		720 12 33-00	A				
503 21 90-08	F		503 47 37-01	-		720 12 40-20	E				
503 22 00-01	A		503 47 41-01	H		720 12 72-20	E				

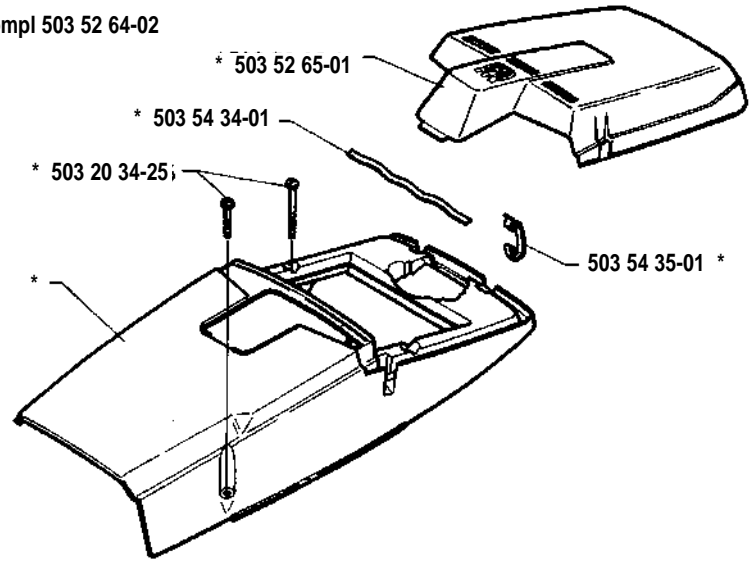
1 = 5034737-01

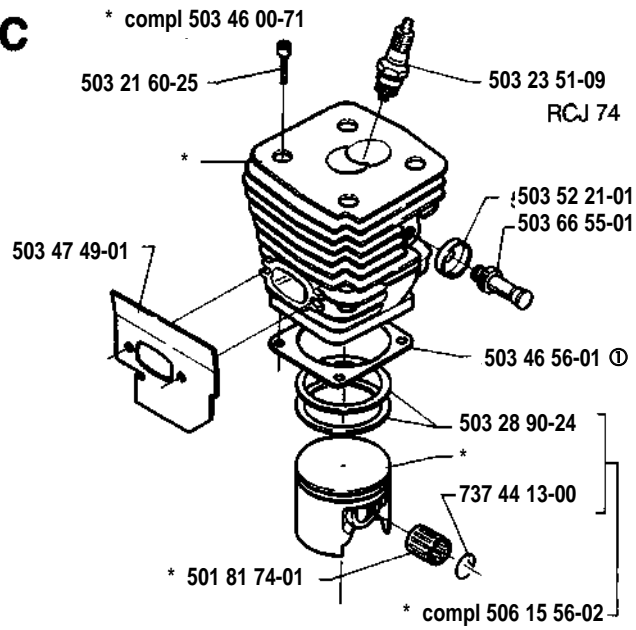
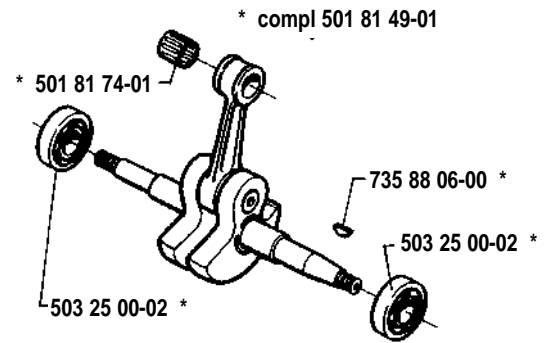
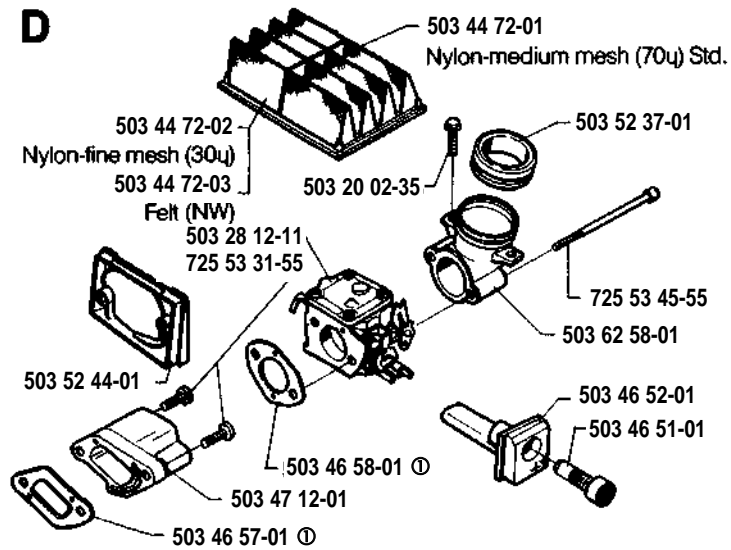
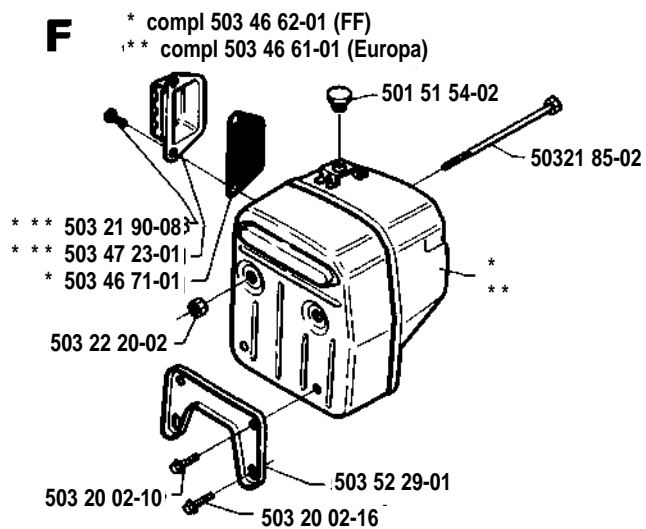
SET OF GASKETS
 DICHTUNGSATS
 JEU DE JOINTS
 JUEGO DE JUNTAS

A * compl 503 46 18-03

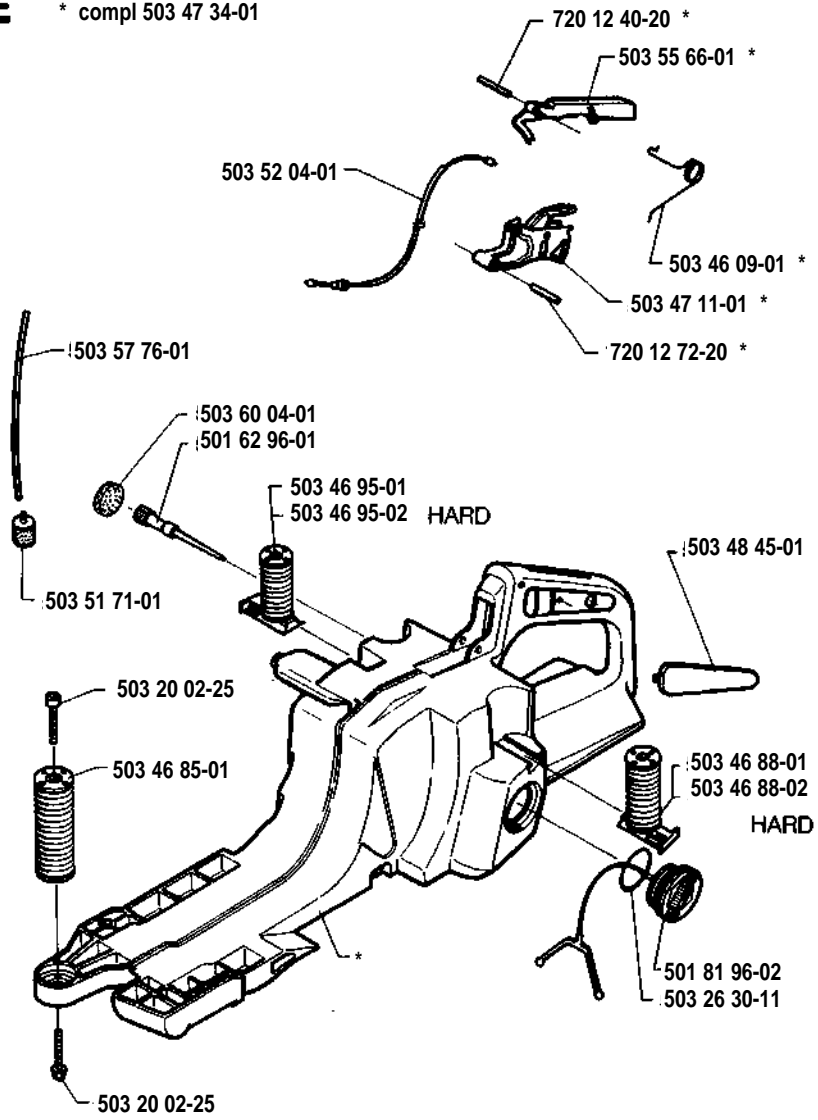


B * compl 503 52 64-02

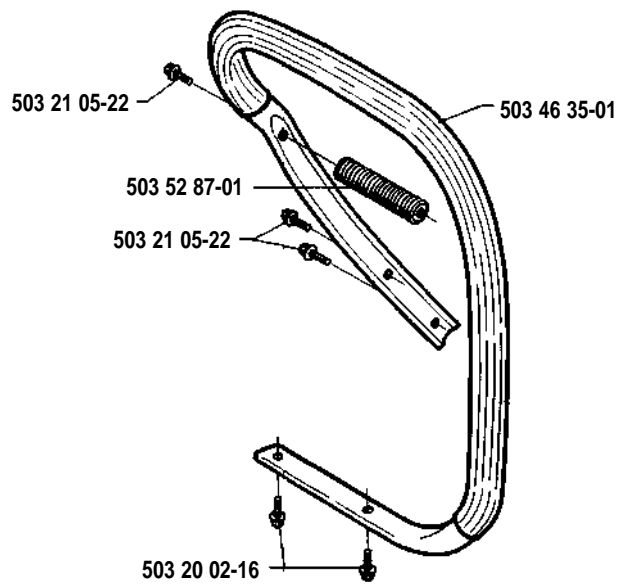


C**G****D****F**

E * compl 503 47 34-01

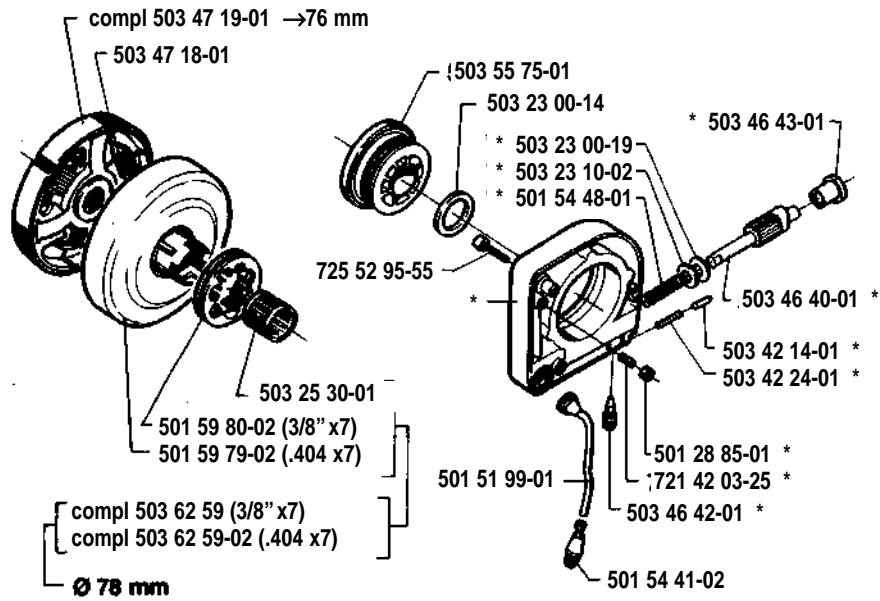
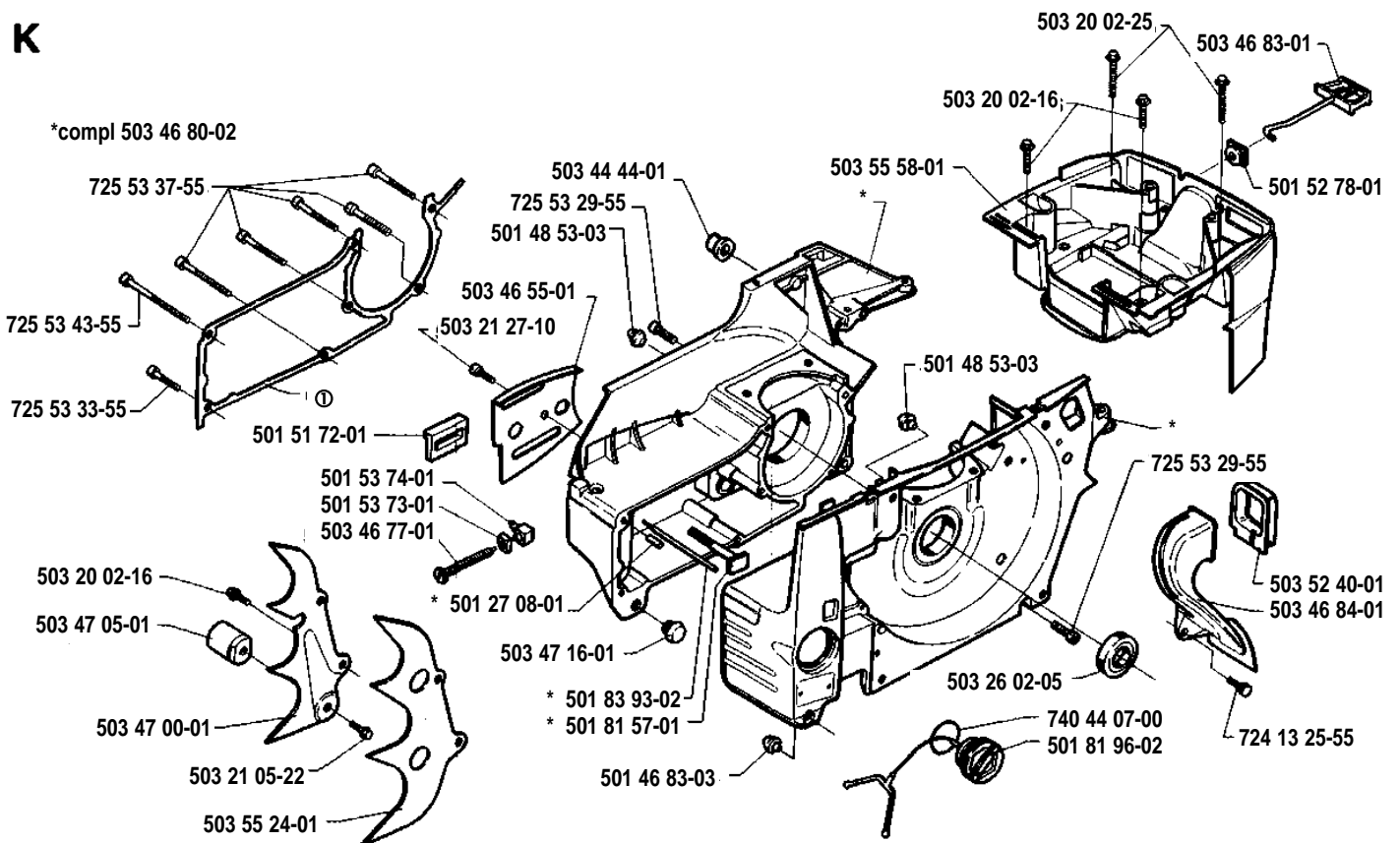


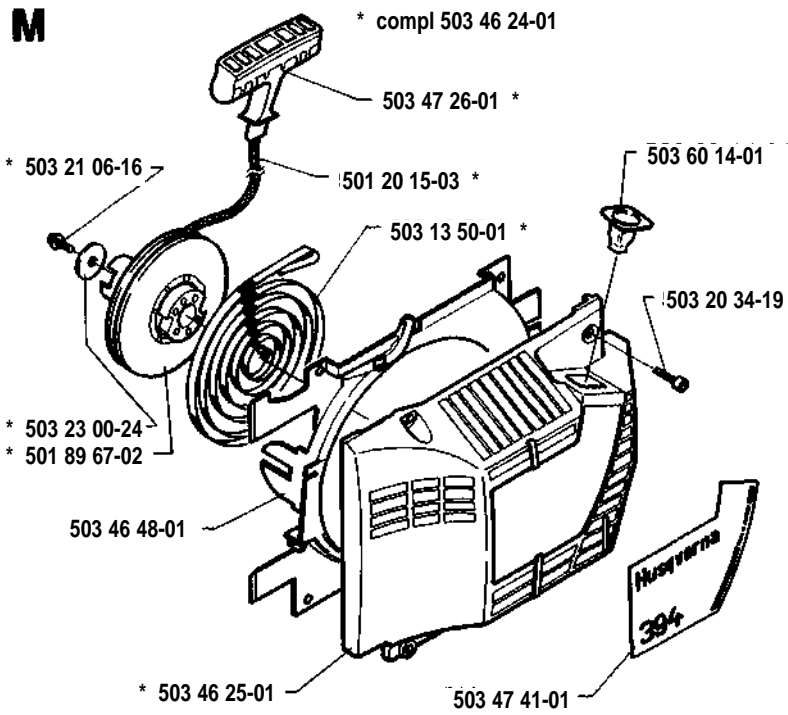
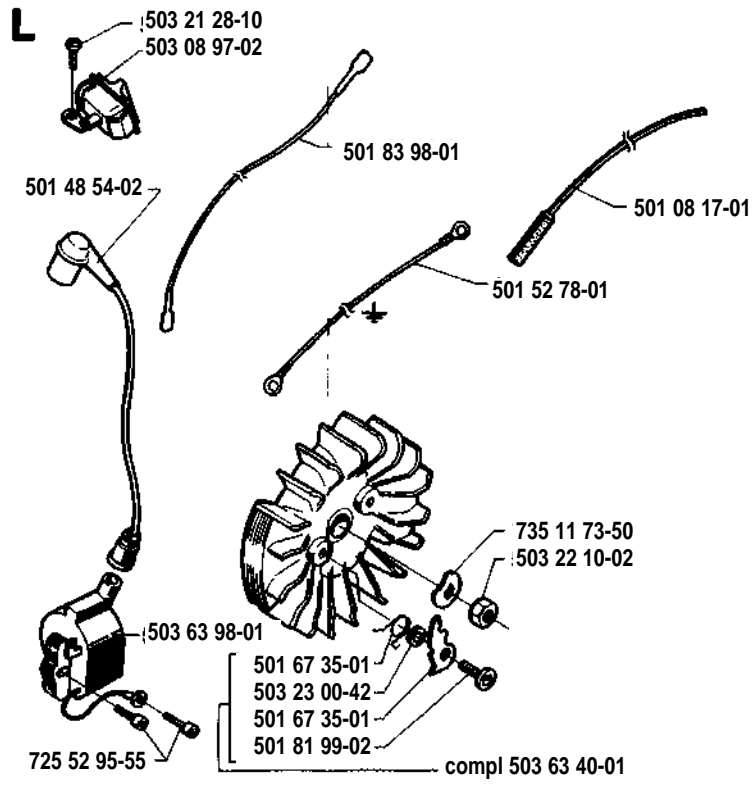
H



J

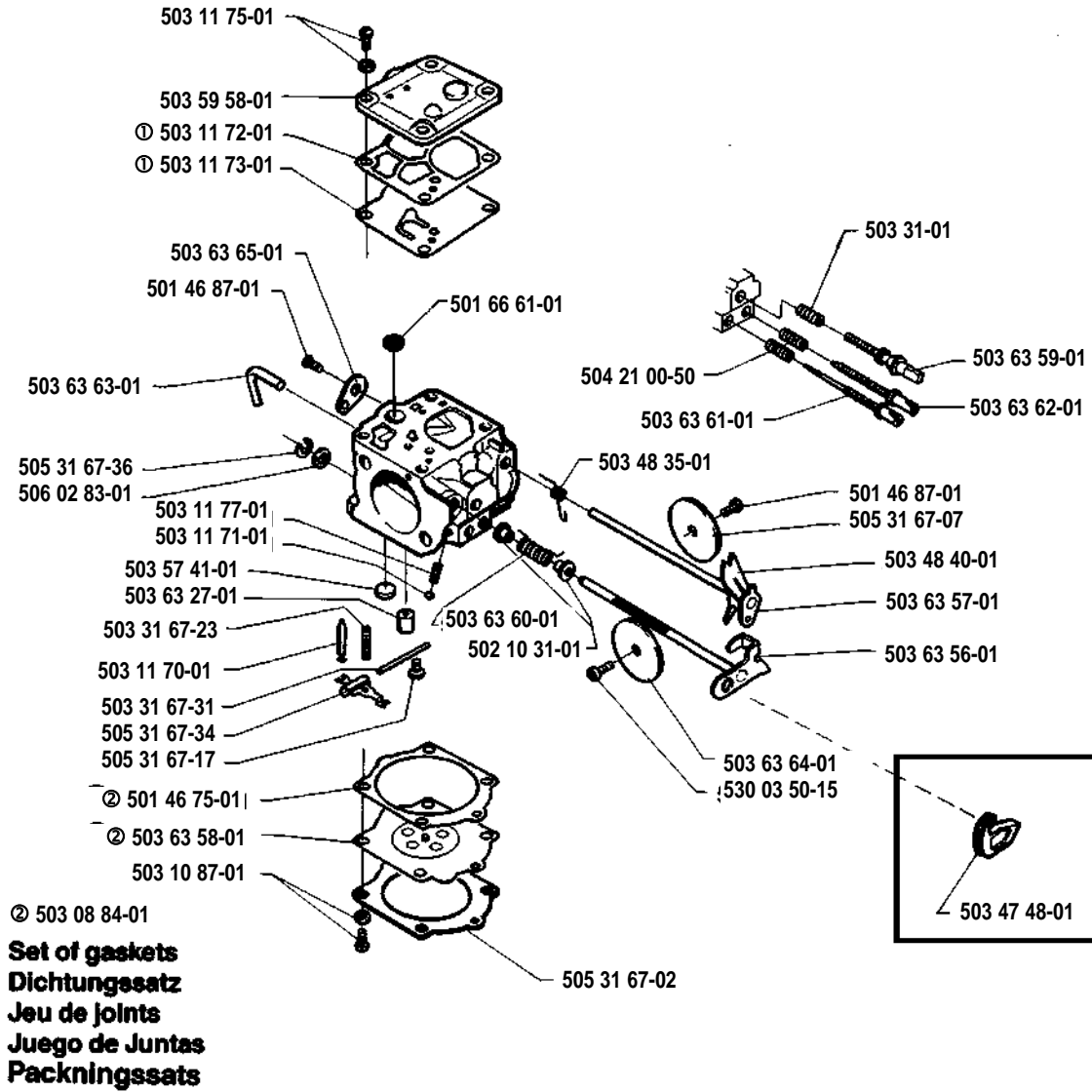
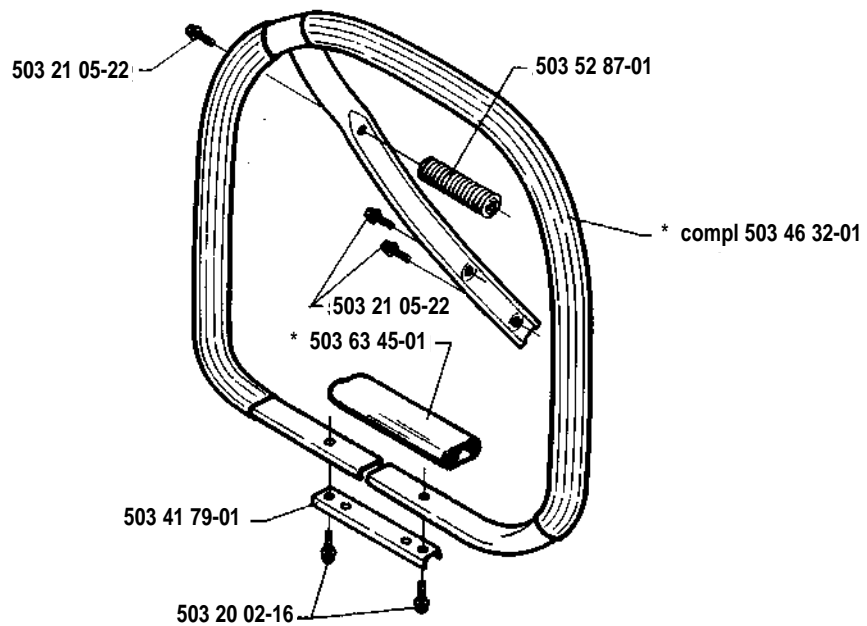
* compl 503 46 37-02

**K**



N

compl 503 28 12-11

Walbro WJ 39**P**

Q

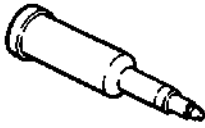
Tillbehör
Accessories
Accessoires
Zubehöre



503 55 86-02 (NV4)



503 55 86-01 (NV5)



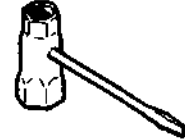
501 91 14-01



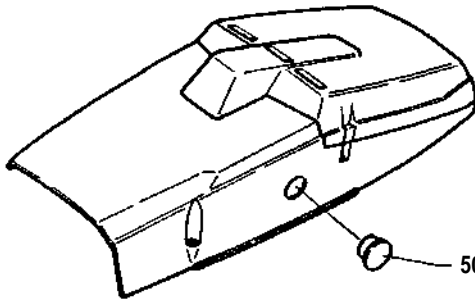
503 62 12-01



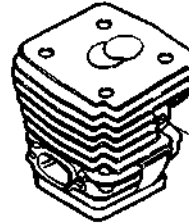
501 68 89-01



503 13 96-01

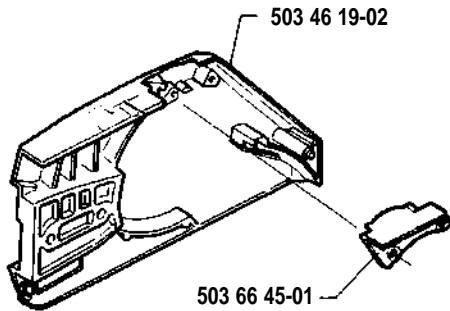


501 61 52-01



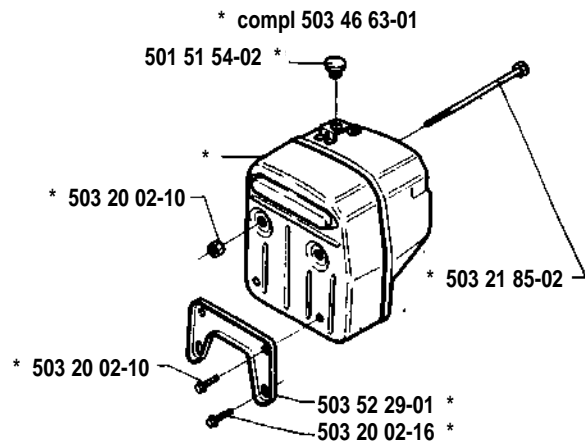
503 55 22-01

R Jungle



503 46 19-02

503 66 45-01



* compl 503 46 63-01

501 51 54-02 *

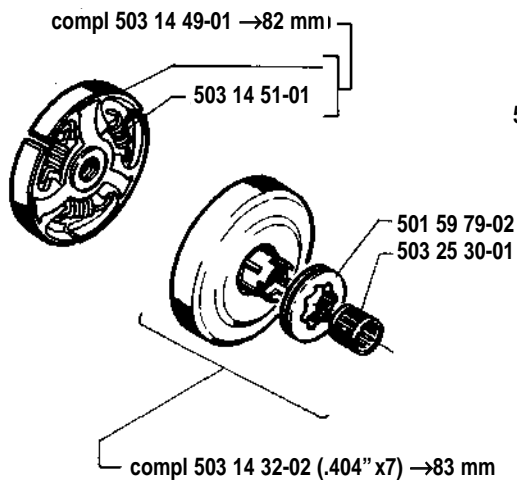
* 503 20 02-10

* 503 21 85-02

* 503 20 02-10

503 52 29-01 *

503 20 02-16 *



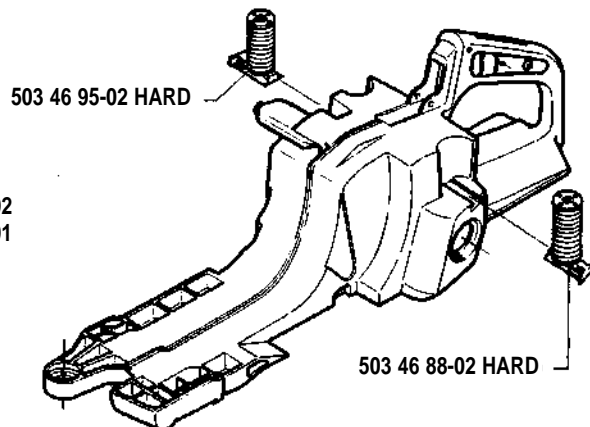
compl 503 14 49-01 →82 mm

503 14 51-01

501 59 79-02

503 25 30-01

compl 503 14 32-02 (.404" x7) →83 mm



503 46 95-02 HARD

503 46 88-02 HARD