

365 Special

365 Special EPA

Spare parts

Replaces

Ersatzteile

Ersetzt

Pièces détachées

Remplace

Reserve onderdelen

Vervangt

Repuestos

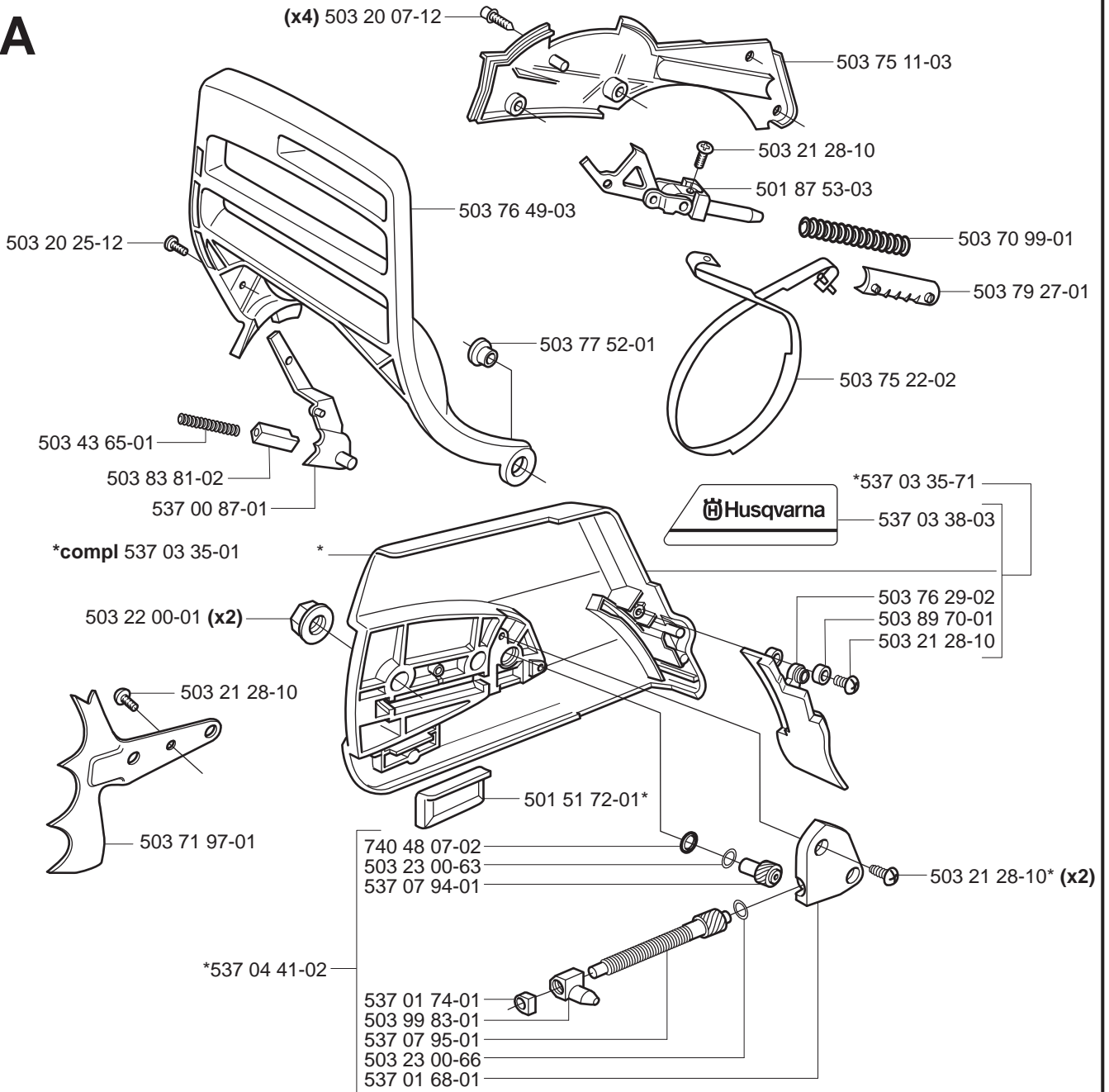
Reemplaza

Reservdelar

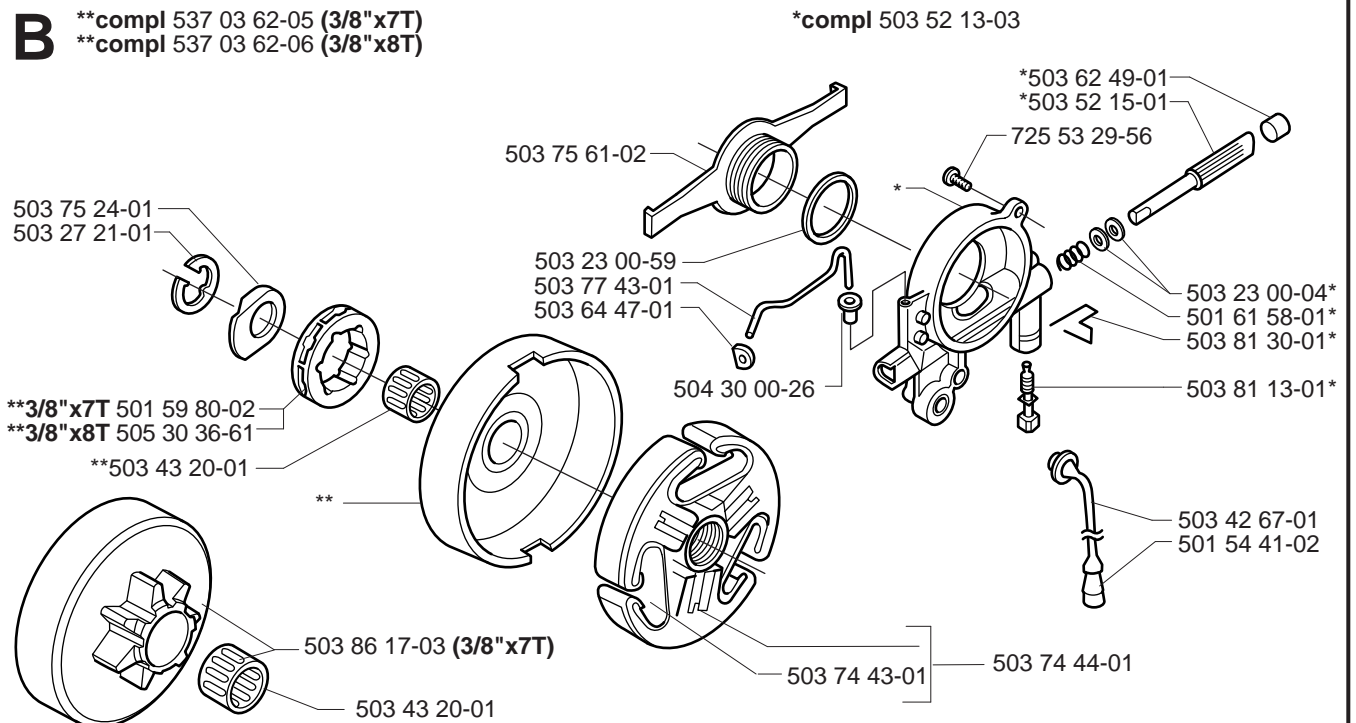
Ersätter

106 26 03-63

A



B



C

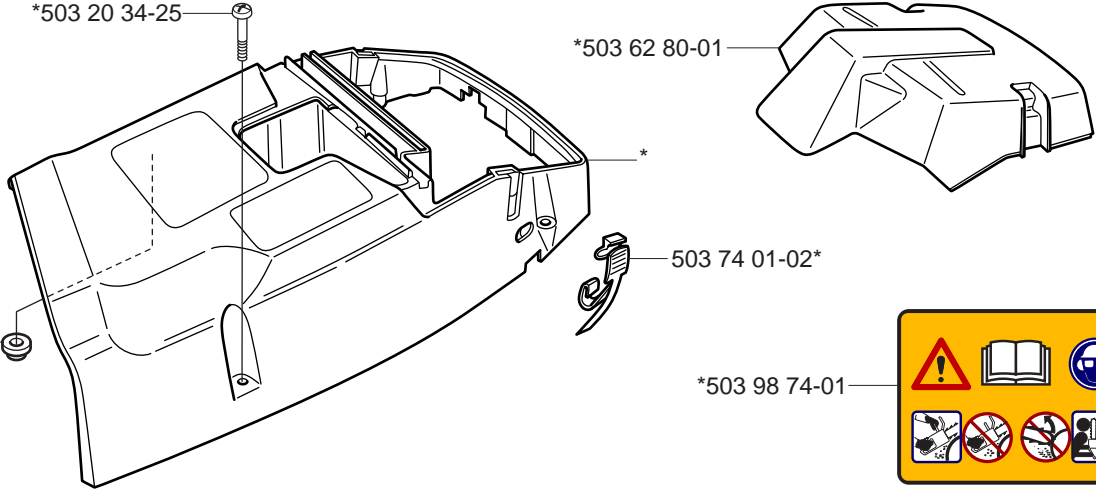
*compl 503 62 78-07

*503 20 34-25

*503 62 80-01

537 01 65-01

*503 98 74-01



D

*compl 503 69 10-73

*compl 503 93 90-05 EPA, EU

(x4) 725 53 33-55

503 23 51-08
RCJ 7 Y



503 71 53-01

*503 55 22-01

503 77 58-02

① 503 77 59-01

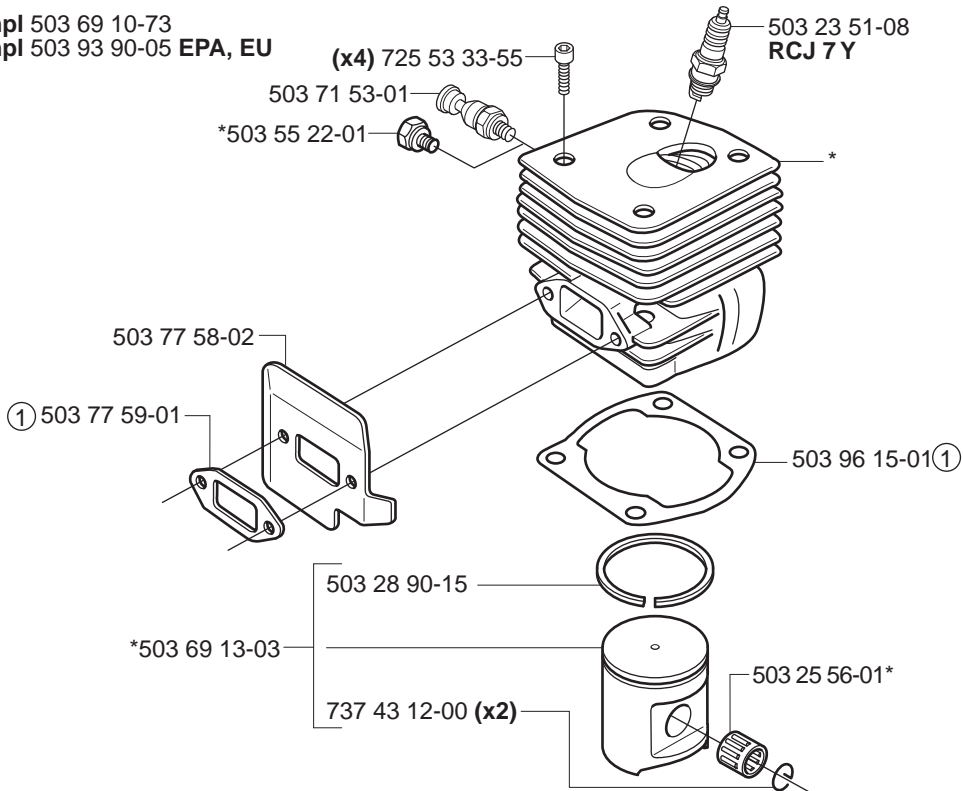
503 96 15-01 ①

503 28 90-15

*503 69 13-03

737 43 12-00 (x2)

503 25 56-01*



E

*compl 503 74 87-03

*503 74 44-01

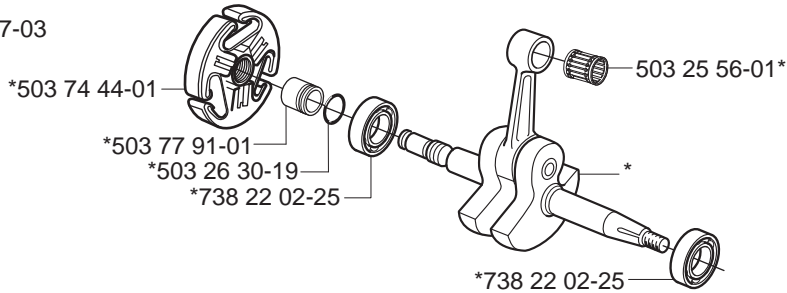
*503 77 91-01

*503 26 30-19

*738 22 02-25

503 25 56-01*

*738 22 02-25



F

724 12 87-59

503 76 64-02

compl 503 76 54-02 DF

compl 503 76 52-01 FG

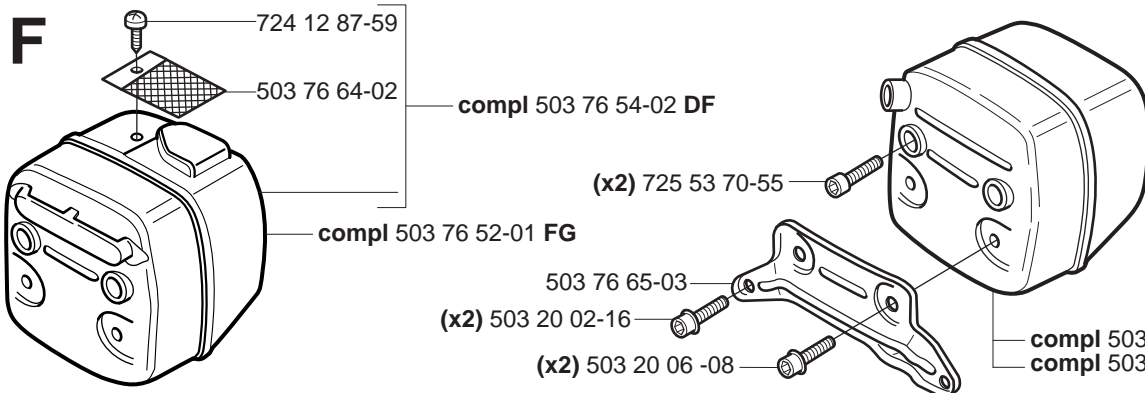
(x2) 725 53 70-55

503 76 65-03

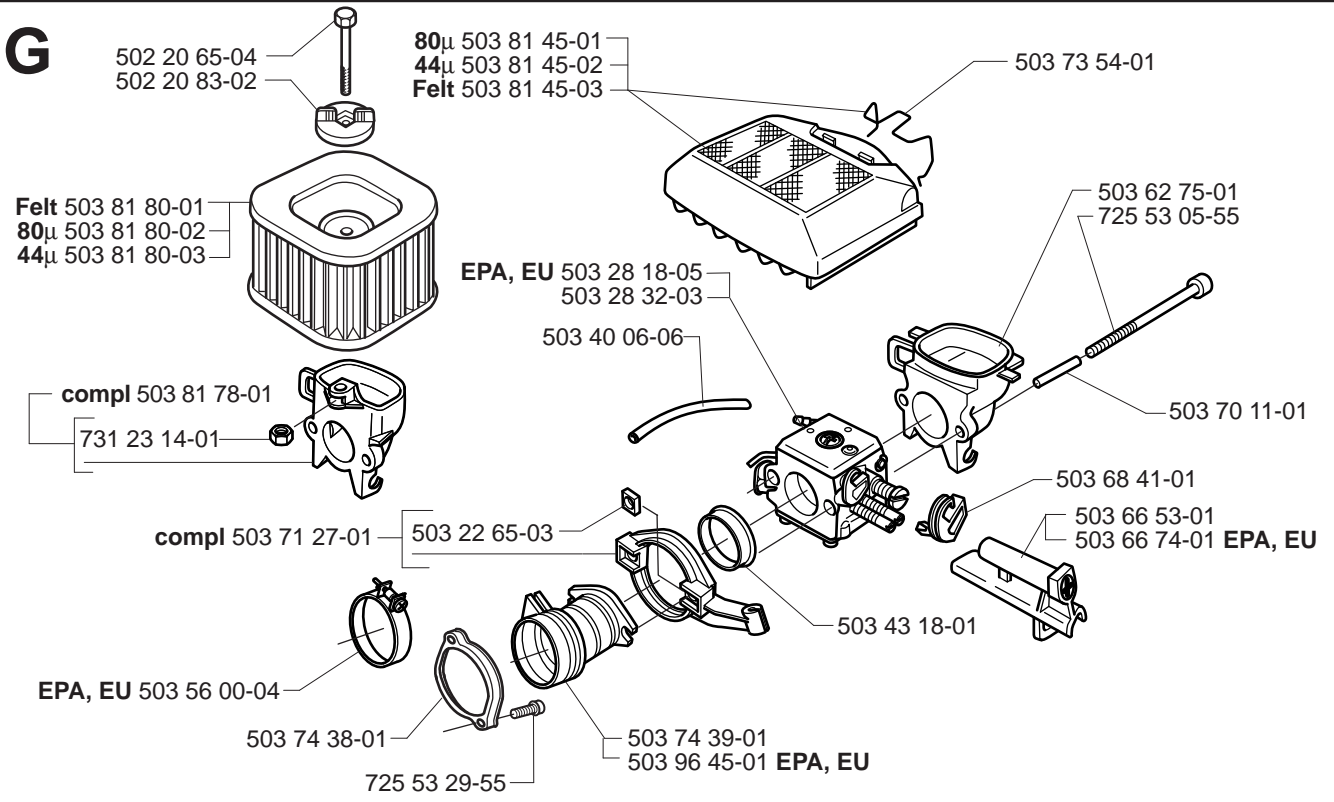
(x2) 503 20 02-16

(x2) 503 20 06 -08

compl 503 76 53-01 Std
compl 503 76 53-02 Jungle

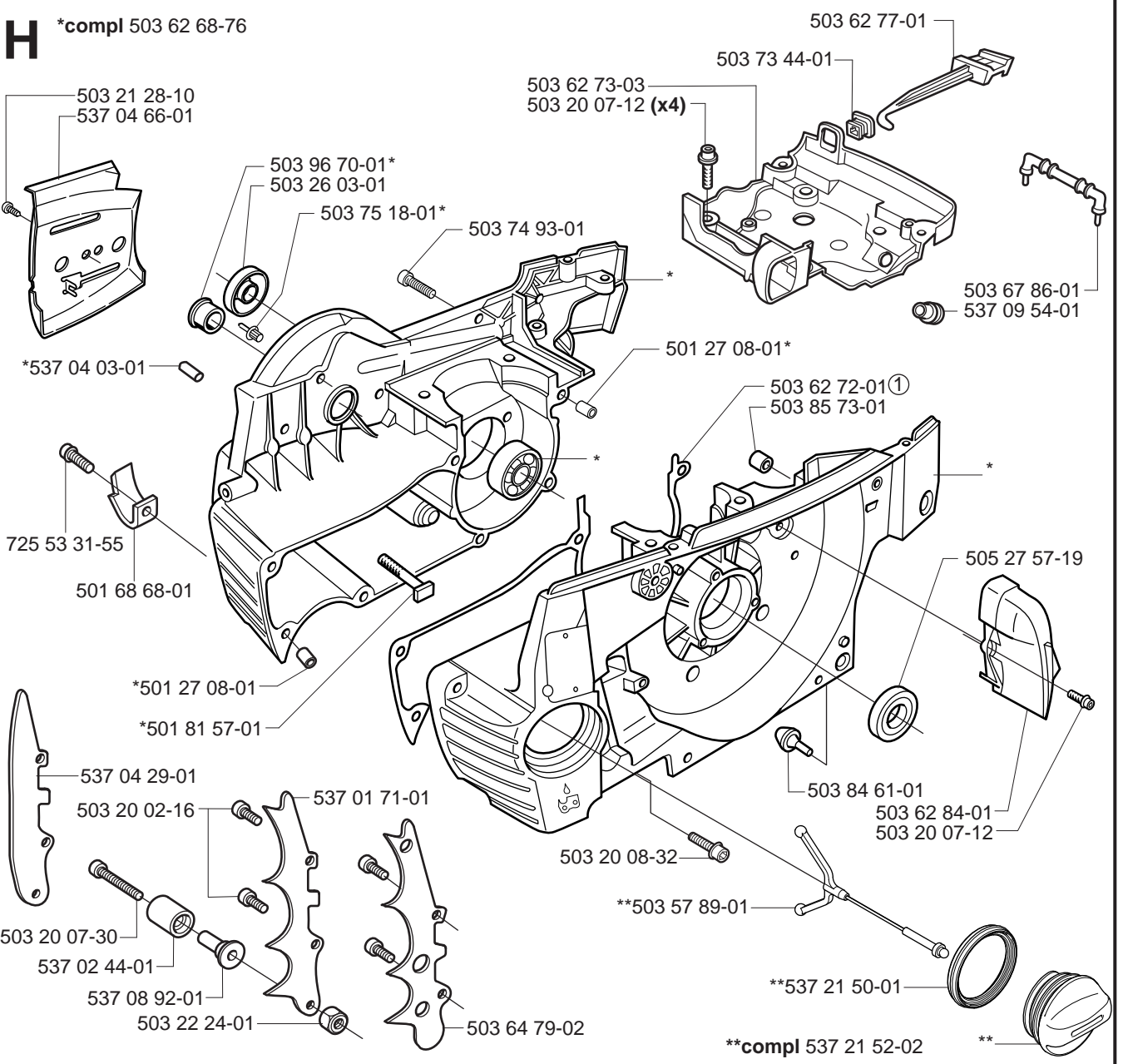


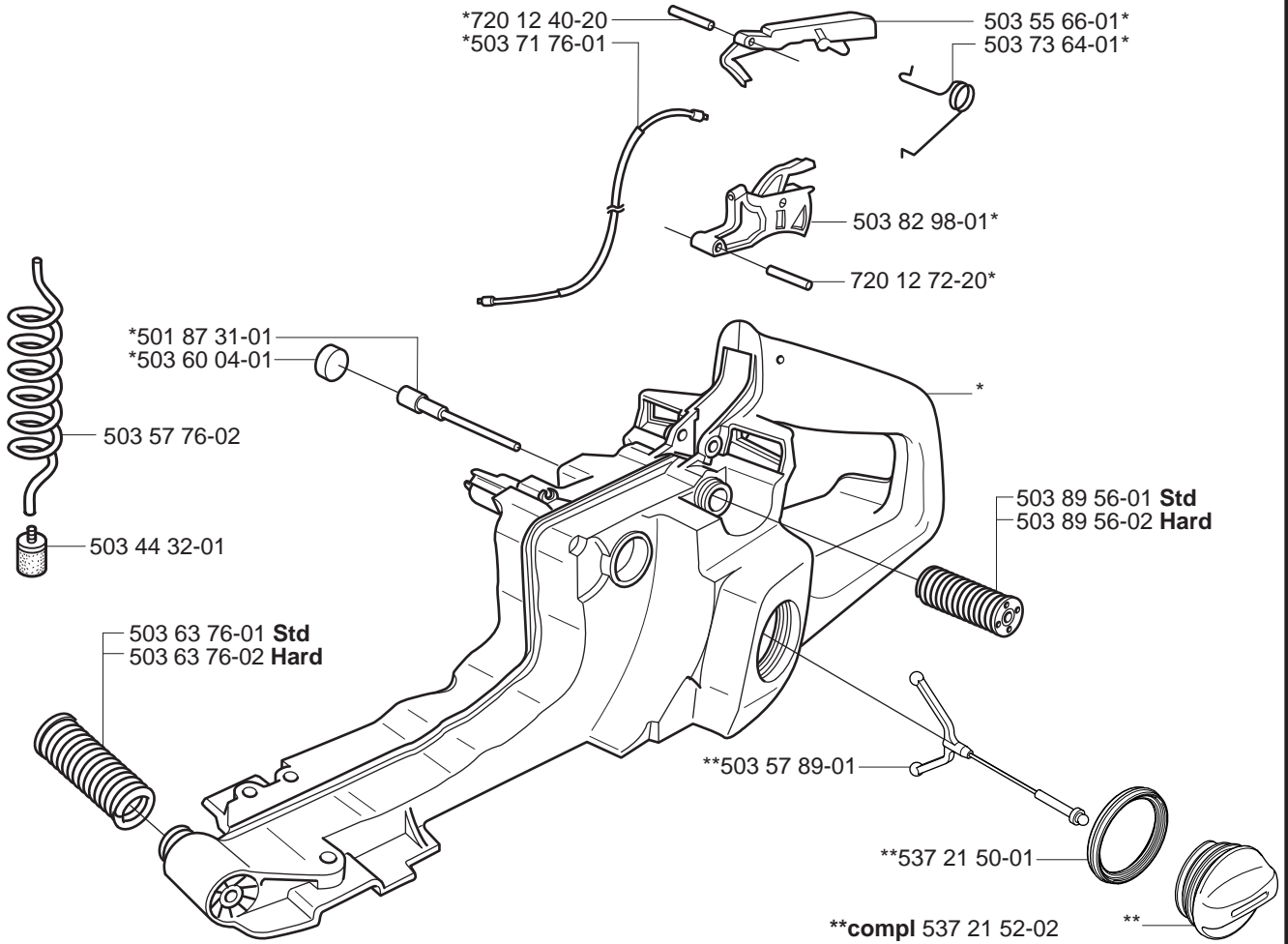
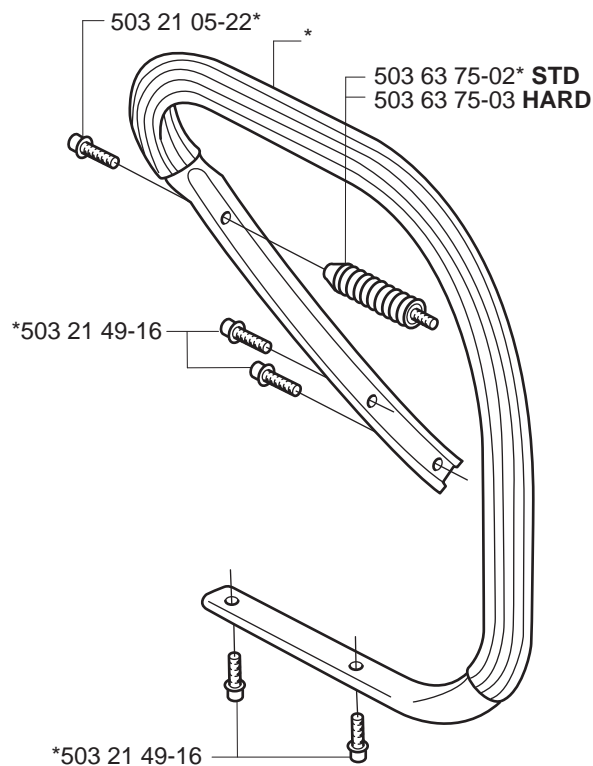
G



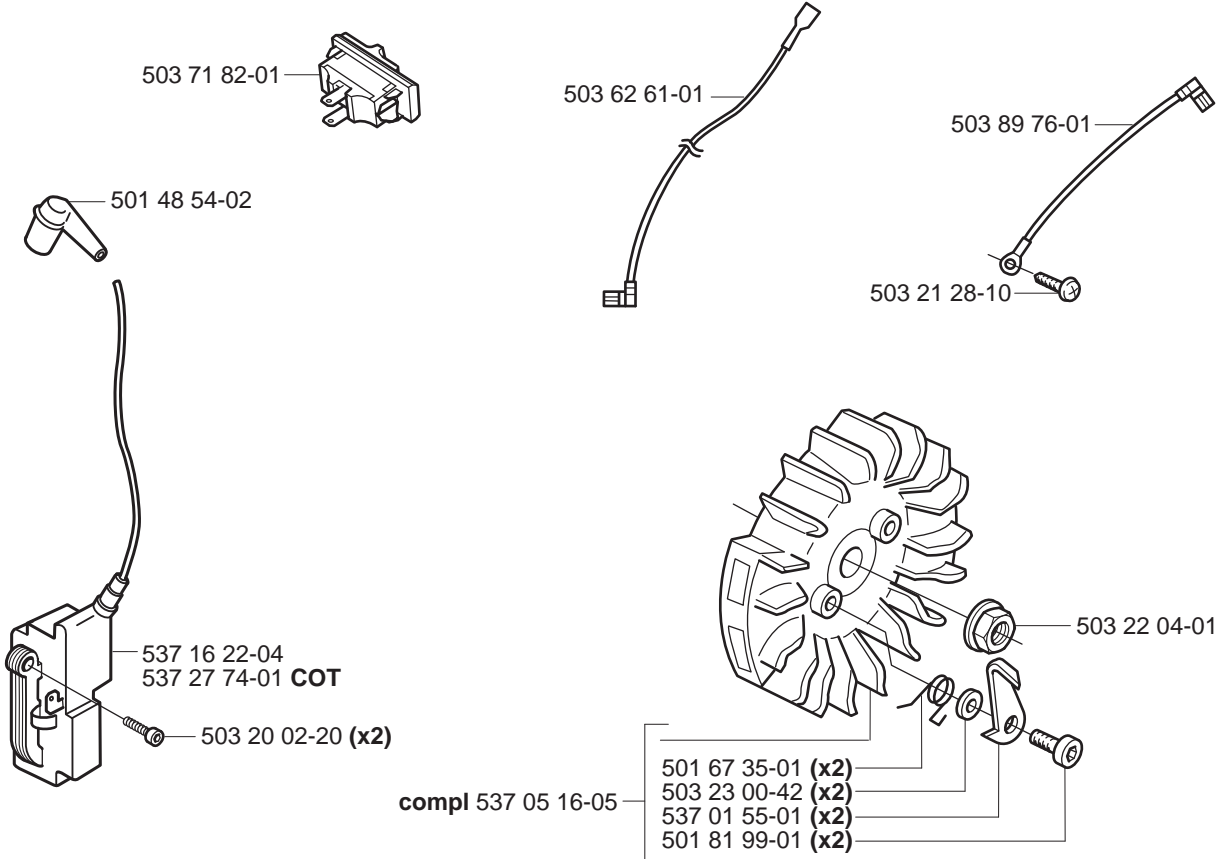
H

*compl 503 62 68-76



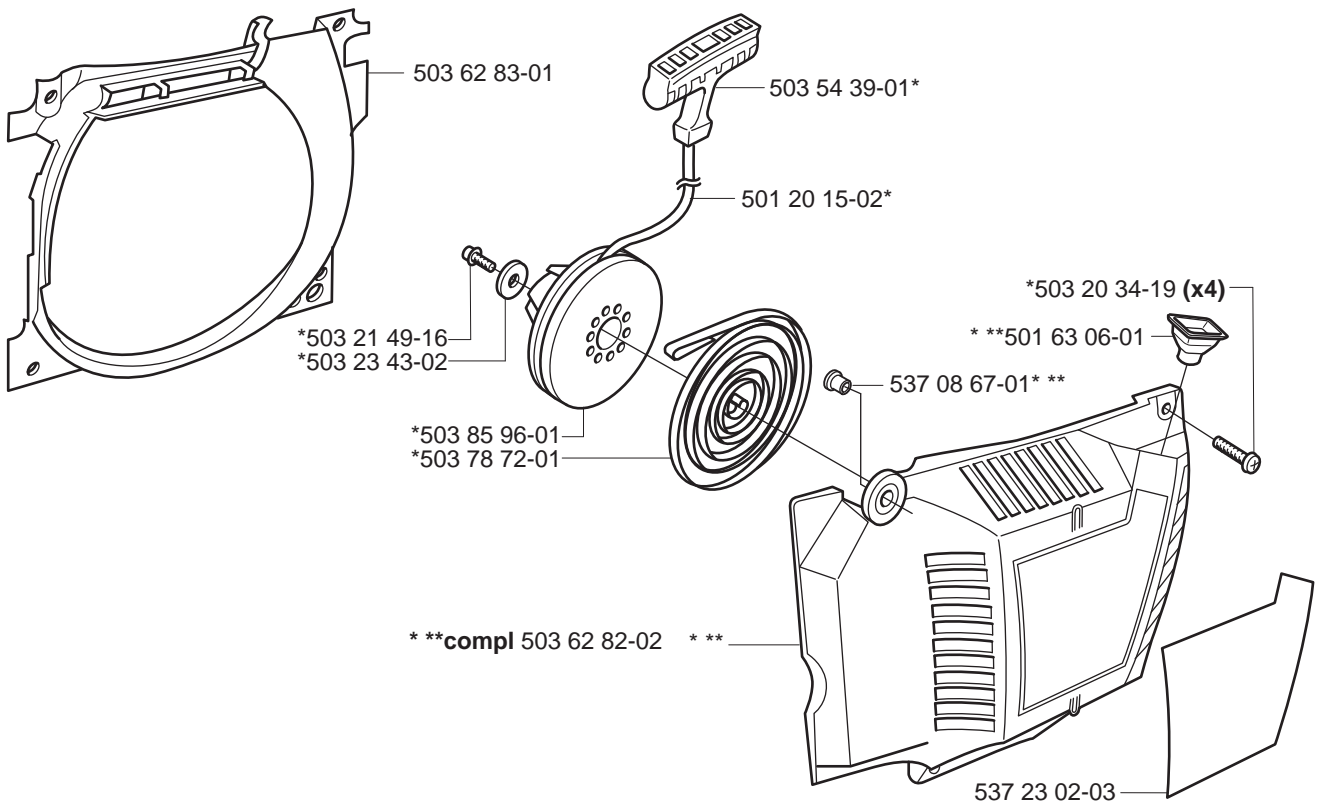
J***compl 503 71 32-75****K*****compl 503 62 67-71**

L



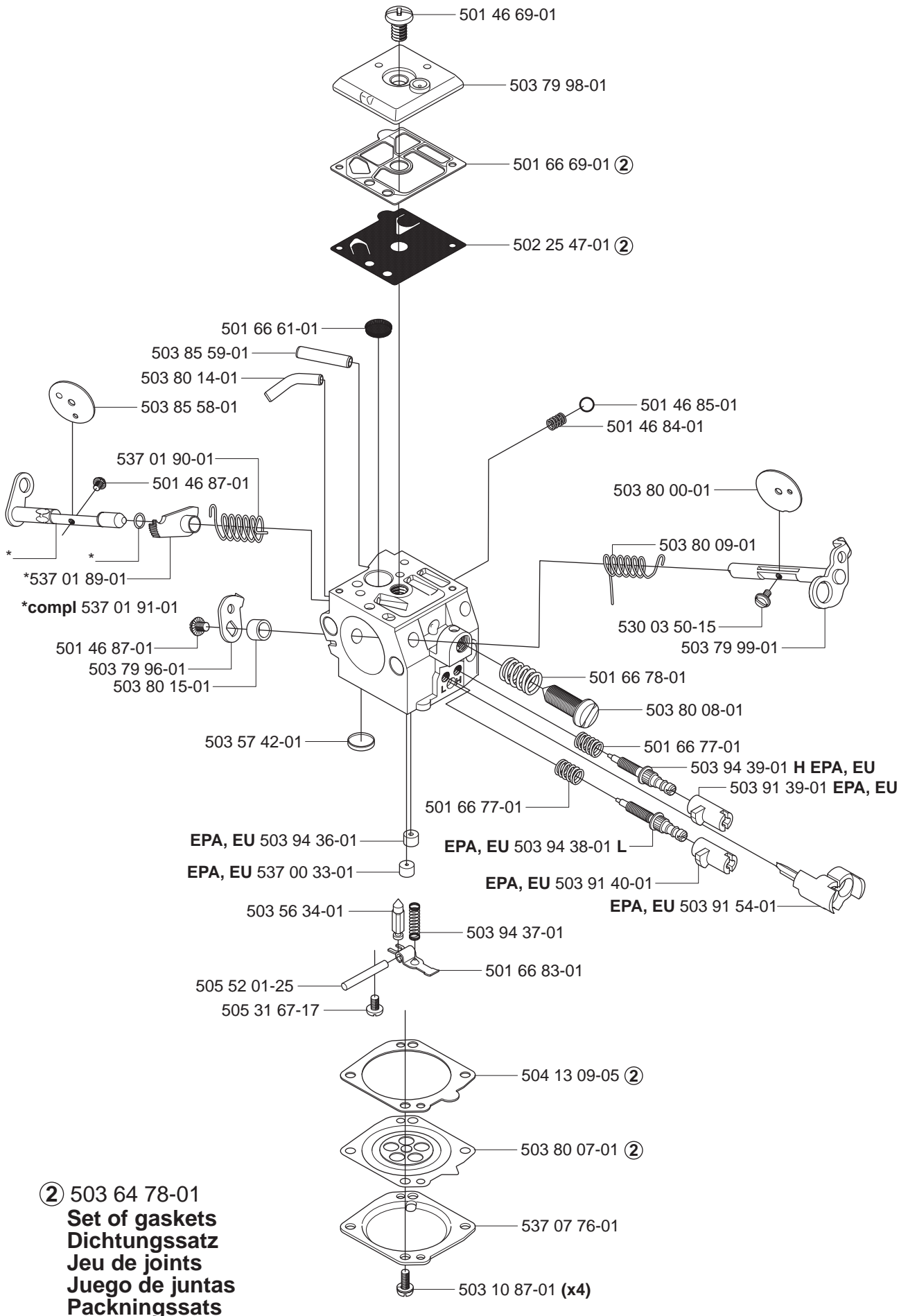
M

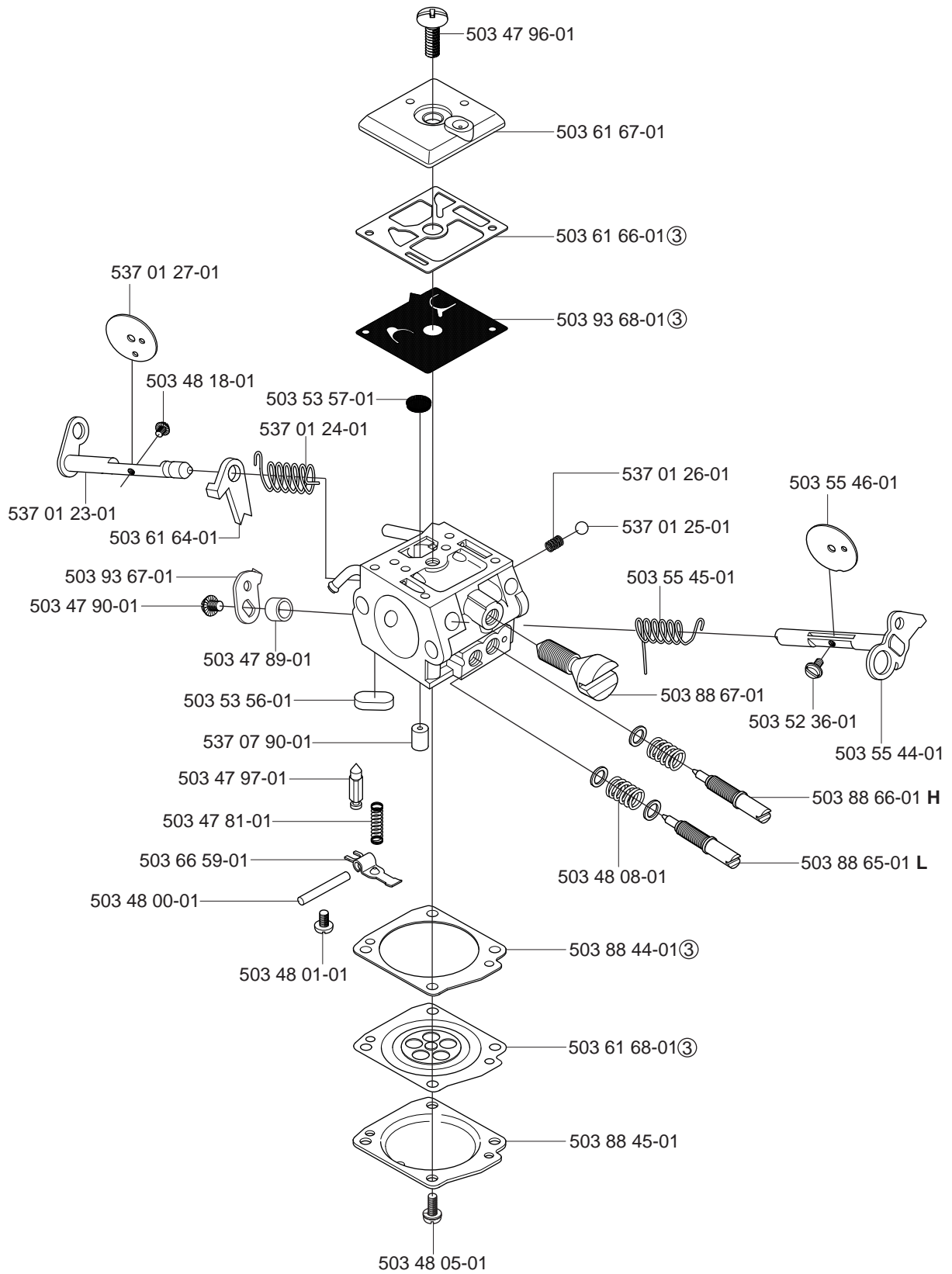
*compl 503 62 81-71



N

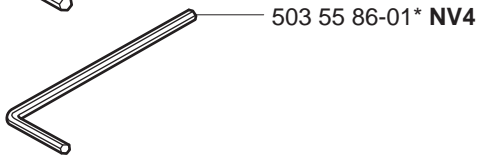
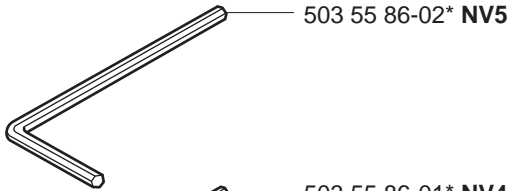
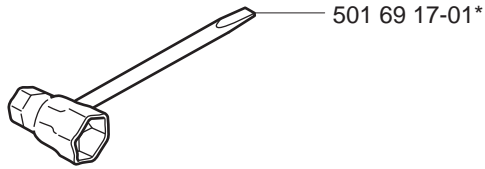
compl 503 28 18-05 EPA, EU

Walbro HD-12B EPA, EU

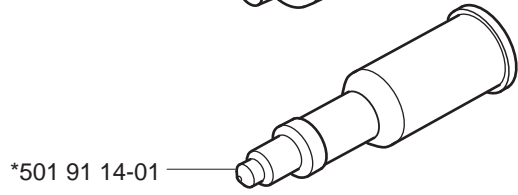
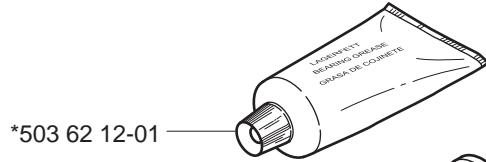
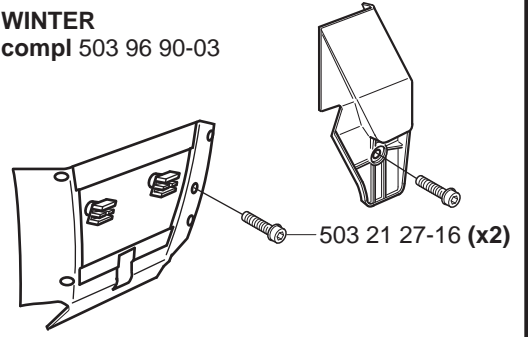


- ③ 503 56 46-01
Set of gaskets
Dichtungssatz
Jeu de joints
Juego de juntas
Packningssatz

Q Accessories
 Zubehöre
 Accessories
 Accesorios
 Tillbehör
 *compl 503 55 85-01

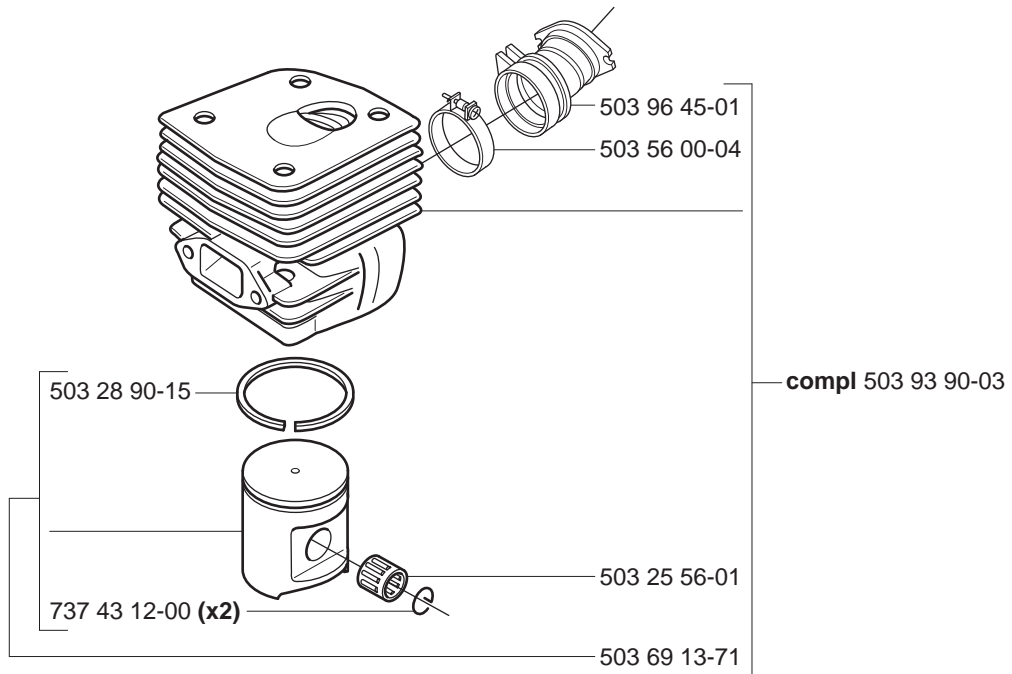


WINTER
 compl 503 96 90-03



R **f**

From 030501340 (2003) - To 033501081 (2003)



PART NUMBER	SQUARE	NOTE	PART NUMBER	SQUARE	NOTE	PART NUMBER	SQUARE	NOTE	PART NUMBER	SQUARE	NOTE
501 20 15-02	M		503 47 97-01	P		503 73 44-01	H		503 93 90-03	R	
501 27 08-01	H		503 48 00-01	P		503 73 54-01	G		503 93 90-05	D	EPA, EU
501 46 69-01	N		503 48 01-01	P		503 73 64-01	J		503 94 36-01	N	EPA, EU
501 46 84-01	N		503 48 05-01	P		503 74 01-02	C		503 94 37-01	N	
501 46 85-01	N		503 48 08-01	P		503 74 38-01	G		503 94 38-01	N	EPA, EU
501 46 87-01	N		503 48 18-01	P		503 74 39-01	G		503 94 39-01	N	EPA, EU
501 48 54-02	L		503 52 13-03	B		503 74 43-01	B		503 96 15-01	D	1
501 51 72-01	A		503 52 15-01	B		503 74 44-01	B,E		503 96 45-01	G,R	EPA, EU
501 54 41-02	B		503 52 36-01	P		503 74 87-03	E		503 96 70-01	H	
501 59 80-02	B		503 53 56-01	P		503 74 93-01	H		503 98 74-01	C	
501 61 58-01	B		503 53 57-01	P		503 75 11-03	A		503 99 83-01	A	
501 63 06-01	M		503 54 39-01	M		503 75 18-01	H		504 13 09-05	N	2
501 66 61-01	N		503 55 22-01	D		503 75 22-02	A		504 30 00-26	B	
501 66 69-01	N	2	503 55 44-01	P		503 75 24-01	B		505 27 57-19	H	
501 66 77-01	N		503 55 45-01	P		503 75 61-02	B		505 30 36-61	B	
501 66 78-01	N		503 55 46-01	P		503 76 29-02	A		505 31 67-17	N	
501 66 83-01	N		503 55 66-01	J		503 76 49-03	A		505 52 01-25	N	
501 67 35-01	L		503 55 85-01	Q		503 76 52-01	F		530 03 50-15	N	
501 68 68-01	H		503 55 86-01	Q		503 76 53-01	F		537 00 33-01	N	EPA, EU
501 69 17-01	Q		503 55 86-02	Q		503 76 53-02	F		537 00 87-01	A	
501 81 57-01	H		503 56 00-04	G,R	EPA, EU	503 76 54-02	F		537 01 23-01	P	
501 81 99-01	L		503 56 34-01	N		503 76 64-02	F		537 01 24-01	P	
501 87 31-01	J		503 56 46-01	P	3 compl	503 76 65-03	F		537 01 25-01	P	
501 87 53-03	A		503 57 42-01	N		503 77 43-01	B		537 01 26-01	P	
501 91 14-01	Q		503 57 76-02	J		503 77 52-01	A		537 01 27-01	P	
502 20 65-04	G		503 57 89-01	H,J		503 77 58-02	D		537 01 55-01	L	
502 20 83-02	G		503 60 04-01	J		503 77 59-01	D	1	537 01 65-01	C	
502 25 47-01	N	2	503 61 64-01	P		503 77 91-01	E		537 01 68-01	A	
503 10 87-01	P		503 61 66-01	P	3	503 78 72-01	M		537 01 71-01	H	
503 20 02-16	F,H		503 61 67-01	P		503 79 27-01	A		537 01 74-01	A	
503 20 02-20	L		503 61 68-01	P	3	503 79 96-01	N		537 01 89-01	N	
503 20 06-08	F		503 62 12-01	Q		503 79 98-01	N		537 01 90-01	N	
503 20 07-12	A,H		503 62 49-01	B		503 79 99-01	N		537 01 91-01	N	
503 20 07-30	H		503 62 61-01	L		503 80 00-01	N		537 02 44-01	H	
503 20 08-32	H		503 62 67-71	K		503 80 07-01	N	2	537 03 35-01	A	
503 20 25-12	A		503 62 68-76	H		503 80 08-01	N		537 03 35-71	A	
503 20 34-19	M		503 62 72-01	H	1	503 80 09-01	N		537 03 38-03	A	
503 20 34-25	C		503 62 73-03	H		503 80 14-01	N		537 03 62-05	B	
503 21 05-22	K		503 62 75-01	G		503 80 15-01	N		537 03 62-06	B	
503 21 27-16	Q		503 62 77-01	H		503 81 13-01	B		537 04 03-01	H	
503 21 28-10	A,H,L		503 62 78-07	C		503 81 30-01	B		537 04 29-01	H	
503 21 49-16	K,M		503 62 80-01	C		503 81 45-01	G		537 04 41-02	A	
503 22 00-01	A		503 62 81-71	M		503 81 45-02	G		537 04 66-01	H	
503 22 04-01	L		503 62 82-02	M		503 81 45-03	G		537 05 16-05	L	
503 22 24-01	H		503 62 83-01	M		503 81 78-01	G		537 07 76-01	P	
503 22 65-03	G		503 62 84-01	H		503 81 80-01	G		537 07 90-01	P	
503 23 00-04	B		503 63 75-02	K		503 81 80-02	G		537 07 94-01	A	
503 23 00-42	L		503 63 75-03	K		503 81 80-03	G		537 07 95-01	A	
503 23 00-59	B		503 63 76-01	J		503 82 98-01	J		537 08 67-01	M	
503 23 00-63	A		503 63 76-02	J		503 83 81-02	A		537 08 92-01	H	
503 23 00-66	A		503 64 47-01	B		503 84 61-01	H		537 09 54-01	H	
503 23 43-02	M		503 64 72-01		1 compl	503 85 58-01	N		537 16 22-04	L	
503 23 51-08	D		503 64 78-01	N	2 compl	503 85 59-01	N		537 21 50-01	H,J	
503 25 56-01	D,E,R		503 64 79-02	H		503 85 73-01	H		537 21 52-02	H,J	
503 26 03-01	H		503 66 53-01	G		503 85 96-01	M		537 23 02-03	M	
503 26 30-19	E		503 66 59-01	P		503 86 17-03	B		537 27 74-01	L	
503 27 21-01	B		503 66 74-01	G	EPA, EU	503 88 44-01	P	3	720 12 40-20	J	
503 28 18-05	G,N	EPA, EU	503 67 86-01	H		503 88 45-01	P		720 12 72-20	J	
503 28 32-03	G,P		503 68 41-01	G		503 88 65-01	P		724 12 87-59	F	
503 28 90-15	D,R		503 69 10-73	D		503 88 66-01	P		725 53 05-55	G	
503 40 06-06	G		503 69 13-03	D		503 88 67-01	P		725 53 29-55	G	
503 42 67-01	B		503 69 13-71	R		503 89 56-01	J		725 53 29-56	B	
503 43 18-01	G		503 70 11-01	G		503 89 56-02	J		725 53 31-55	H	
503 43 20-01	B		503 70 99-01	A		503 89 70-01	A		725 53 33-55	D	
503 43 65-01	A		503 71 27-01	G		503 89 76-01	L		725 53 70-55	F	
503 44 32-01	J		503 71 32-75	J		503 91 39-01	N	EPA, EU	731 23 14-01	G	
503 47 81-01	P		503 71 53-01	D		503 91 40-01	N	EPA, EU	737 43 12-00	D,R	
503 47 89-01	P		503 71 76-01	J		503 91 54-01	N	EPA, EU	738 22 02-25	E	
503 47 90-01	P		503 71 82-01	L		503 93 67-01	P		740 48 07-02	A	
503 47 96-01	P		503 71 97-01	A		503 93 68-01	P	3			

1 = 503 64 72-01
2 = 503 64 78-01
3 = 503 56 46-01

Set of gaskets, Dichtungssats,
Jeu de joints, Juego de juntas,
Packningssats

EPA = Environmental Protection Agency (for USA only)
EU = European Union