

350, 350 EPA

Spare parts

Ersatzteile

Pièces détachées

Reserve onderdelen

Repuestos

Reservdelar

Replaces

Ersetzt

Remplace

Vervangt

Reemplaza

Ersätter

106 24 56-61

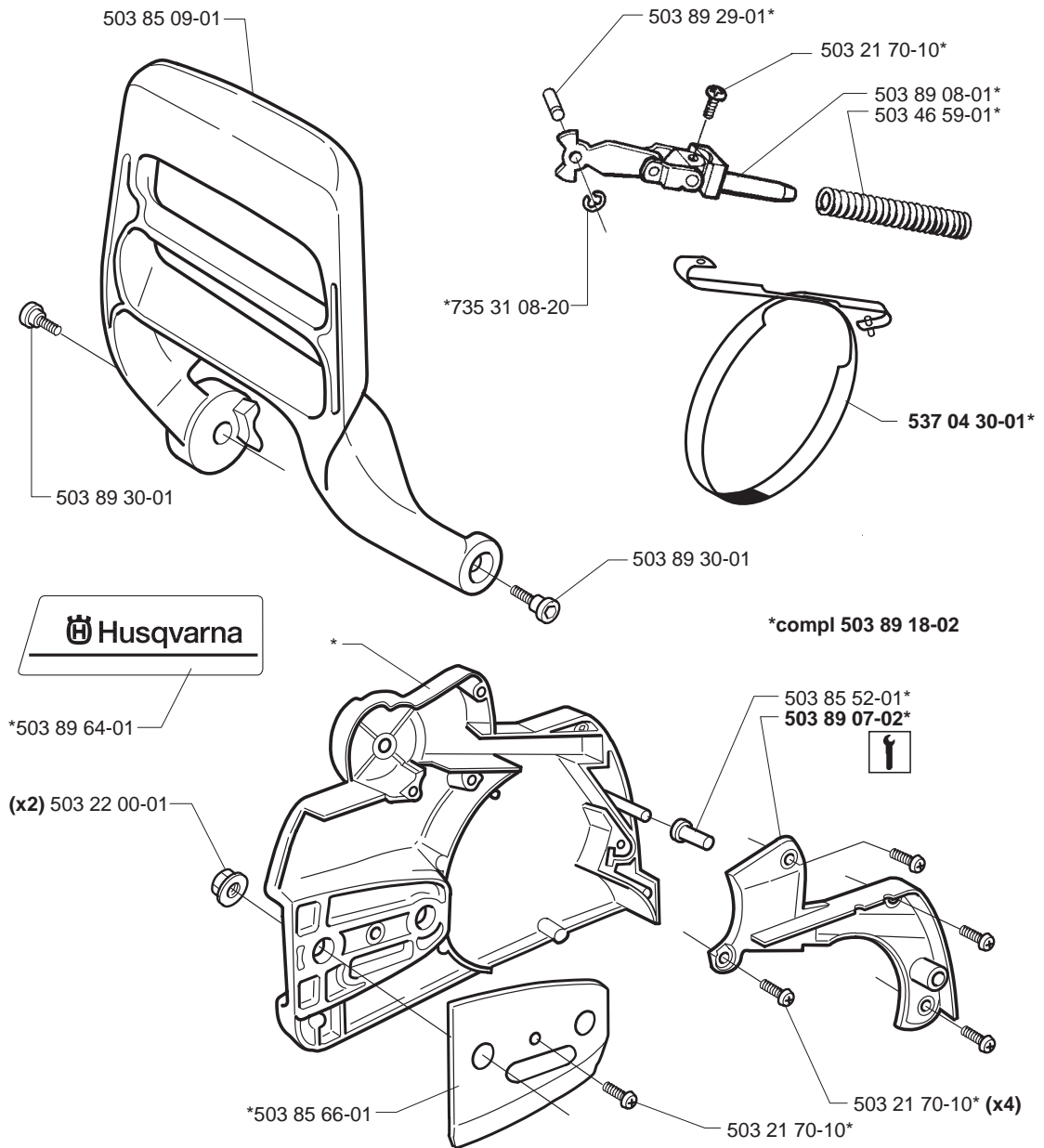
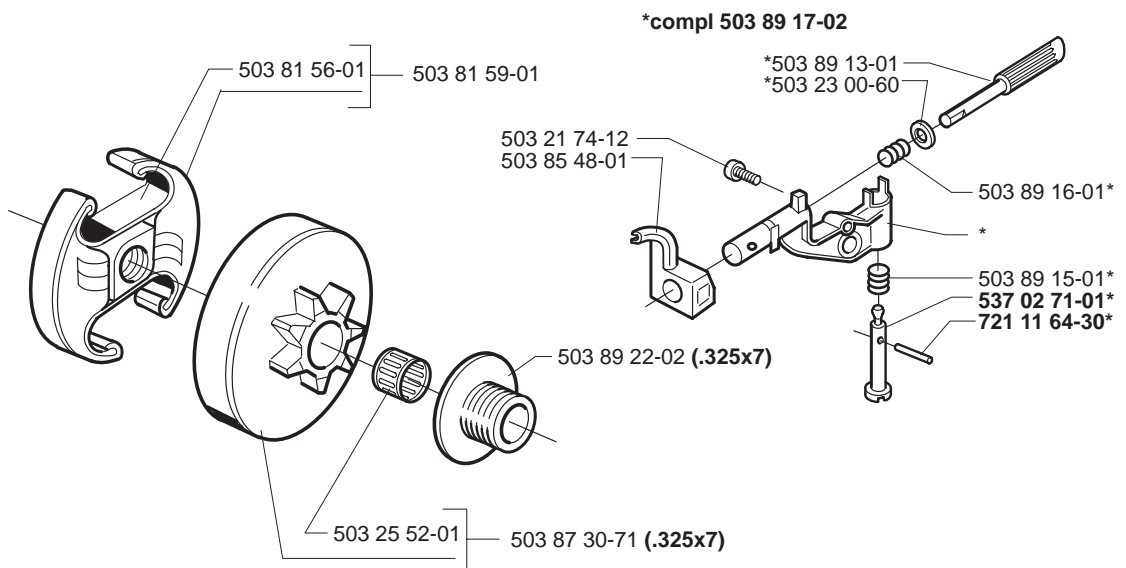
MODEL 350, 350 EPA

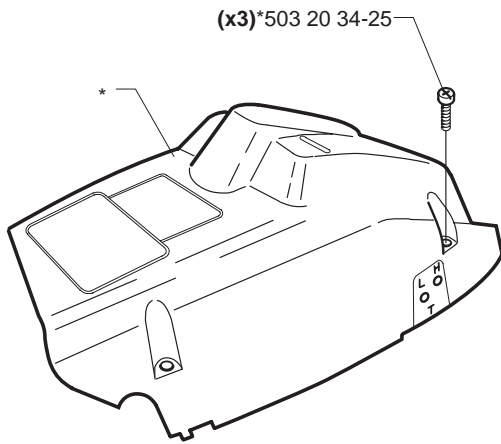
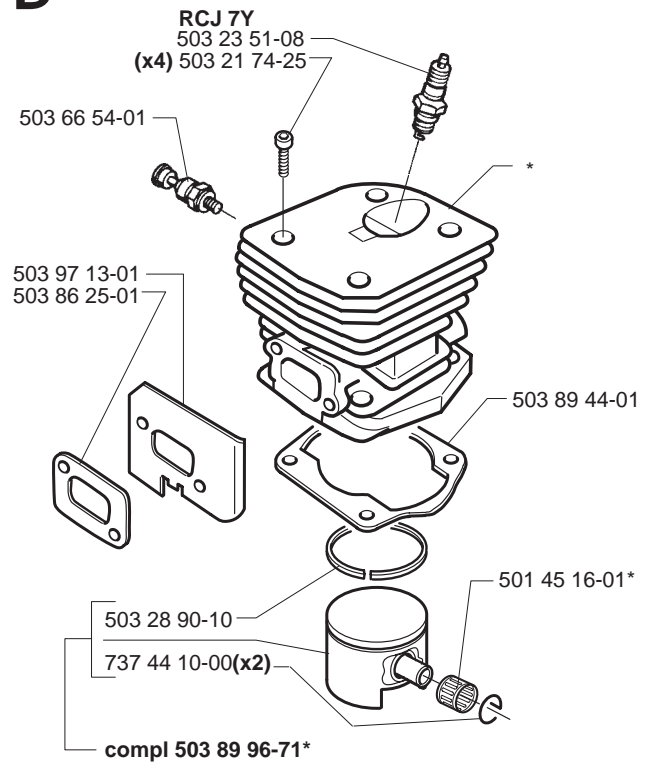
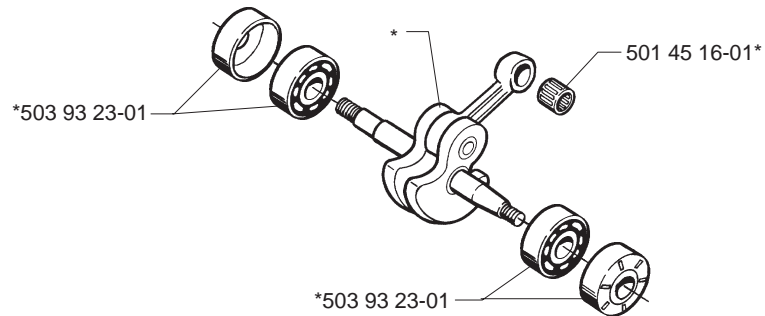
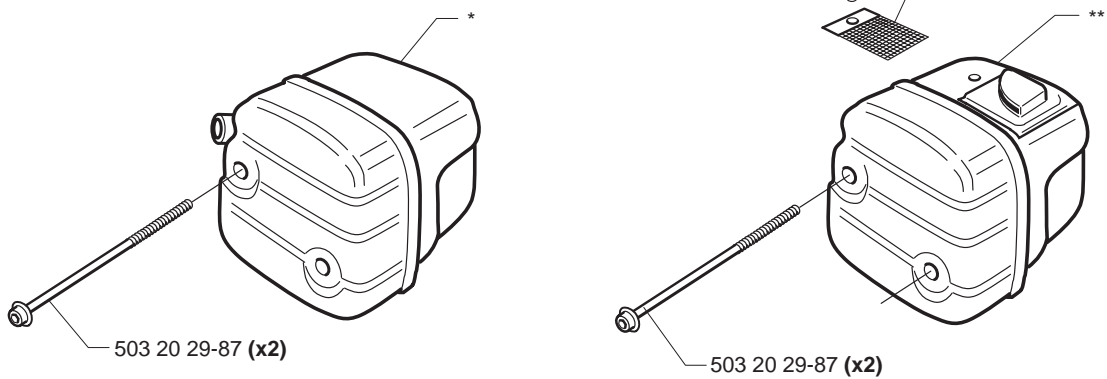
PART NUMBER	SQUARE NOTE	PART NUMBER	SQUARE NOTE	PART NUMBER	SQUARE NOTE	PART NUMBER	SQUARE NOTE
501 45 16-01	DE	503 85 15-02	H N	503 92 24-01	K		
501 46 87-01	N	503 85 41-01	J	503 93 23-01	E		
501 48 54-02	L	503 85 44-01	J	503 94 44-01	N EPA		
501 62 68-01	H	503 85 45-01	J	503 94 50-01	N N EPA		
501 62 98-01	J	503 85 48-01	B	503 94 52-01	N		
501 63 97-01	P N	503 85 52-01	A	503 94 53-01	N		
501 66 61-01	N	503 85 53-01	G N	503 94 54-01	N		
501 66 62-01	N	503 85 53-02	G N	503 94 56-01	N		
501 66 69-01	N N1	503 85 53-03	G	503 94 57-01	N		
501 66 70-01	N 1	503 85 66-01	A	503 94 60-01	N		
501 66 73-01	N 1	503 85 80-71	E	503 96 24-04	L N		
501 66 77-01	N	503 85 99-01	M	503 97 06-01	N		
501 66 78-01	N	503 86 25-01	D	503 97 08-01	N EPA		
501 66 84-01	N 1COMPL	503 86 27-02	F	503 97 10-01	N EPA		
501 69 17-01	P	503 86 28-02	F	503 97 12-01	N EPA		
501 81 96-02	J	503 86 36-01	F	503 97 13-01	D		
501 83 29-01	N	503 86 37-71	J	503 98 74-01	C N		
502 25 47-01	N 1	503 86 62-01	G	503 99 16-01	N		
503 08 18-01	N	503 86 63-01	G	503 99 86-01	J		
503 08 20-01	N	503 86 64-01	G	504 86 04-08	N		
503 10 87-01	N	503 86 91-01	H	505 30 51-25	M		
503 17 63-01	N	503 86 92-01	H	505 31 67-17	N		
503 19 23-01	N	503 86 93-01	H	505 52 01-25	N		
503 20 29-87	F	503 86 94-01	G	506 02 83-01	N		
503 20 34-25	C	503 86 95-01	G	530 03 50-15	N		
503 21 51-01	H N	503 86 96-01	G	537 02 71-01	B N		
503 21 70-10	AH	503 86 97-01	G	537 02 90-01	G N		
503 21 70-16	P	503 86 99-71	D	537 04 03-01	H N		
503 21 73-21	M	503 87 30-71	B	537 04 28-71	P N		
503 21 74-12	BH	503 87 54-01	H	537 04 30-01	A N		
503 21 74-25	DL	503 87 55-01	H	537 07 52-01	N N		
503 21 74-50	G	503 87 57-01	H	537 07 53-01	N N		
503 21 75-20	H	503 87 59-01	H	720 12 40-20	J N		
503 21 77-16	M	503 87 63-01	M	721 11 64-30	B N		
503 21 78-27	H	503 88 54-01	H	724 12 87-59	F N		
503 21 88-16	K	503 88 59-01	H	735 31 08-20	A		
503 21 88-25	JK	503 88 72-01	H	737 44 10-00	D		
503 22 00-01	A	503 88 76-01	M				
503 22 10-11	L	503 88 77-01	M				
503 22 69-01	H	503 88 86-01	H				
503 23 00-60	B	503 88 92-01	G				
503 23 01-01	L	503 89 06-01	MP				
503 23 51-08	D	503 89 07-01	Q				
503 25 52-01	B	503 89 07-02	A N				
503 26 30-17	J	503 89 08-01	A				
503 28 16-14	GN EPA	503 89 13-01	B				
503 28 18-03	GN N	503 89 15-01	B				
503 28 90-10	D	503 89 16-01	B				
503 43 65-01	H	503 89 17-02	B N				
503 44 32-01	J	503 89 18-02	A N				
503 46 59-01	A	503 89 22-02	B				
503 54 39-01	M	503 89 24-01	H				
503 56 23-01	N	503 89 29-01	A				
503 56 25-01	N	503 89 30-01	A				
503 56 34-01	N	503 89 44-01	D				
503 57 76-02	J	503 89 50-01	L				
503 57 89-01	HJ N	503 89 60-01	G				
503 58 15-01	N	503 89 64-01	A				
503 60 04-01	J	503 89 83-01	K				
503 60 78-01	N	503 89 87-01	L				
503 61 48-01	N	503 89 96-71	D N				
503 63 82-01	N	503 90 39-01	H				
503 66 54-01	D	503 90 59-01	H				
503 66 96-01	N	503 90 93-01	K				
503 78 32-01	L	503 91 04-02	M				
503 79 05-02	L	503 91 05-01	C				
503 81 56-01	B	503 91 06-71	P				
503 81 59-01	B	503 91 39-01	N EPA				
503 82 43-01	L	503 91 40-01	N EPA				
503 85 09-01	A	503 91 54-01	N EPA				

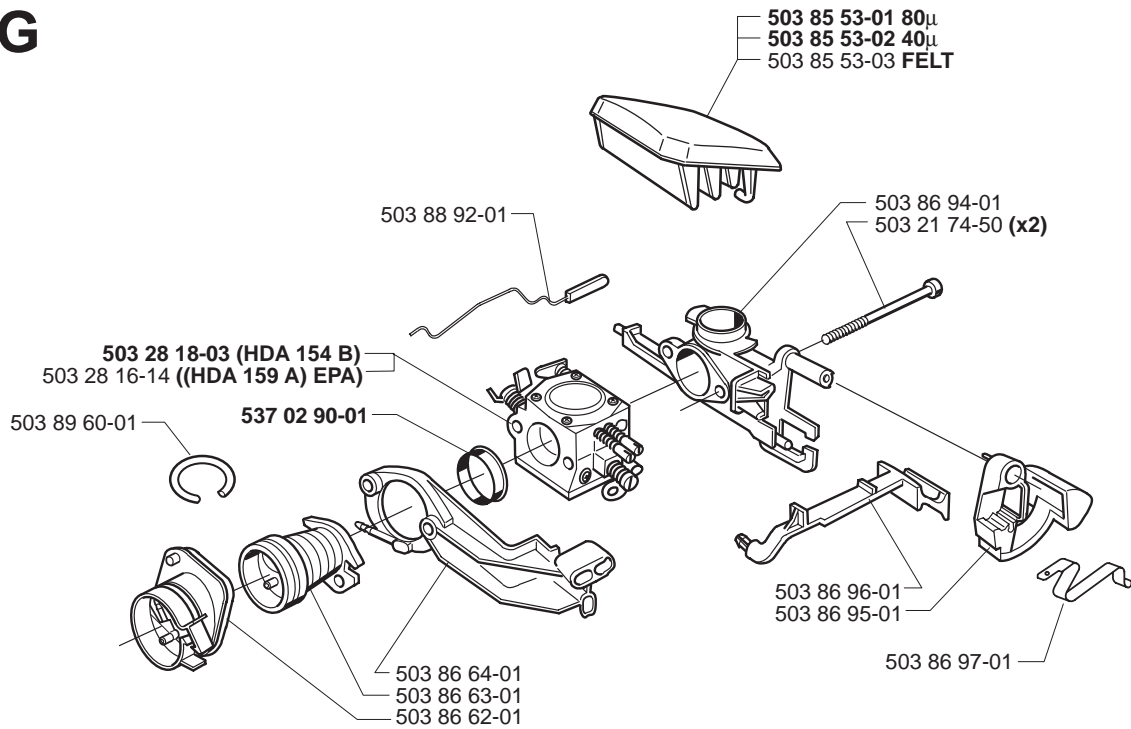
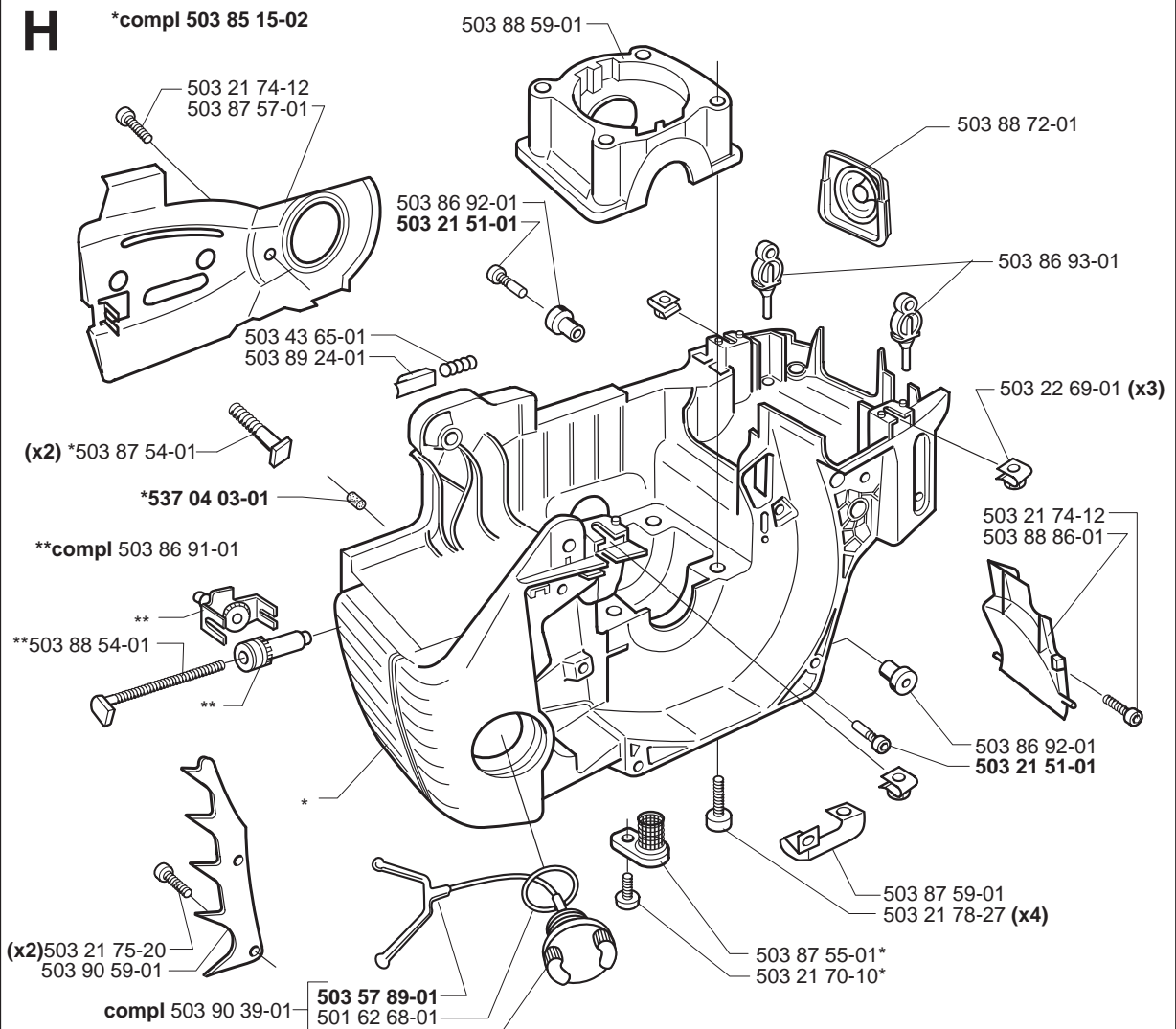
1 = 501 66 84-01 Set of gaskets
 Dichtungssatz
 Jeu de joints
 Juego de juntas
 Packningssats

N = New part
 Neues teil
 Nouvelle piece
 Nueva pieza
 Ny detalj

EPA = Environmental Protection Agency

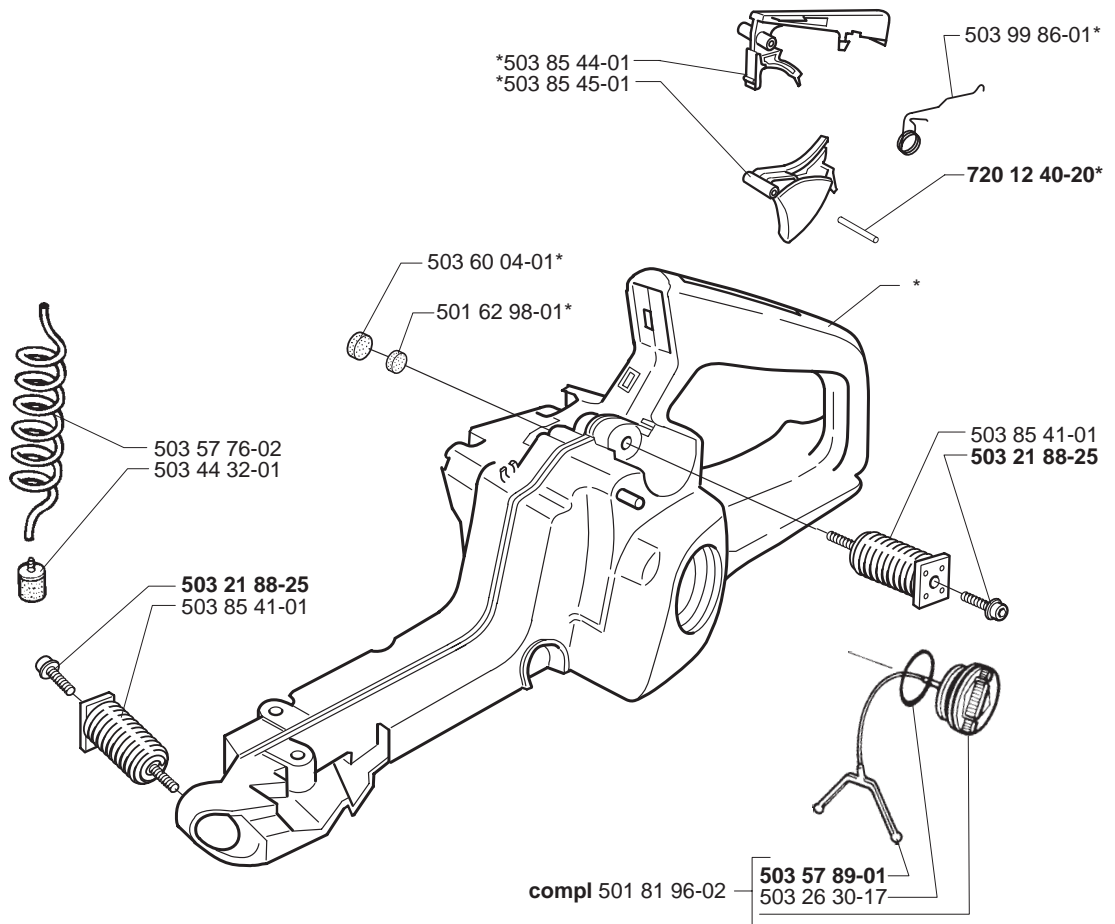
A**B**

C***compl 503 91 05-01*****503 98 74-01****D*****compl 503 86 99-71****E*****compl 503 85 80-71****F*****compl 503 86 27-02 (EU)******compl 503 86 28-02 (DF)**

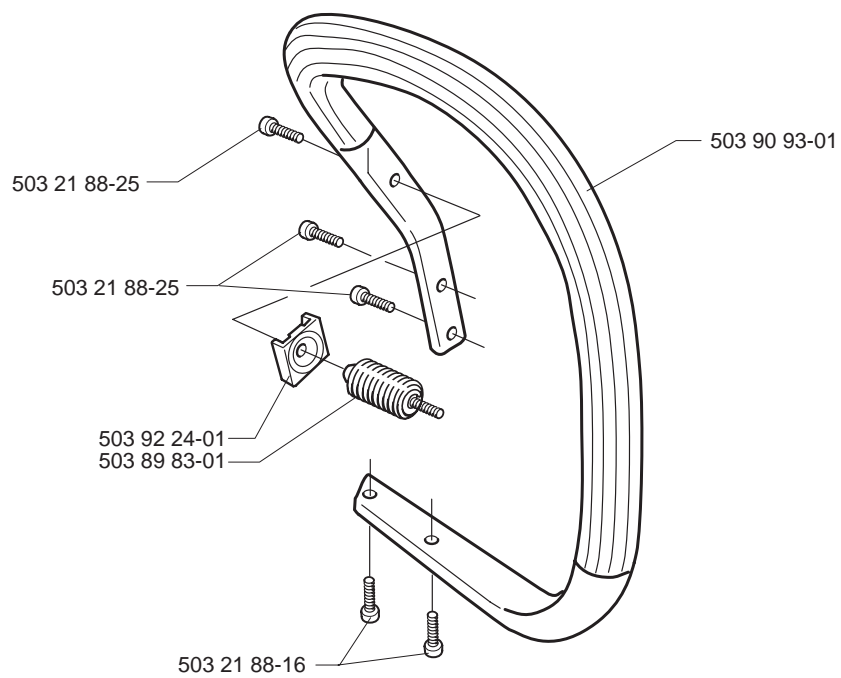
G**H**

J

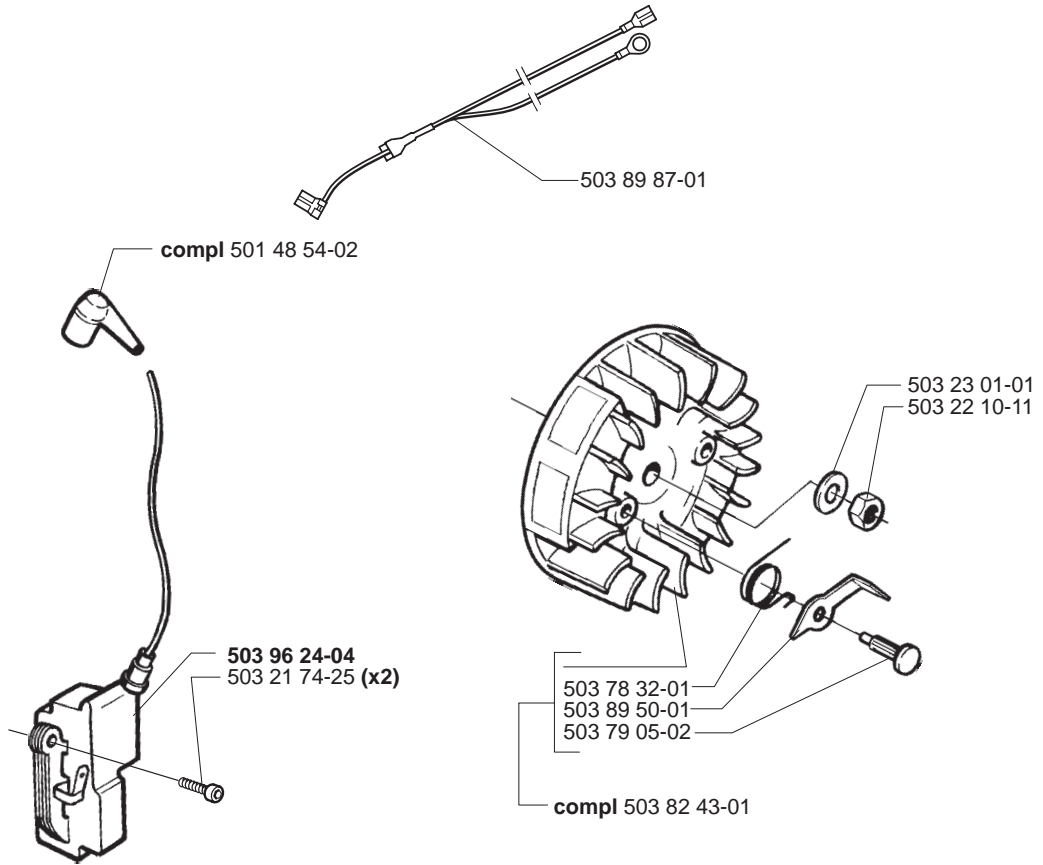
*compl 503 86 37-71



K

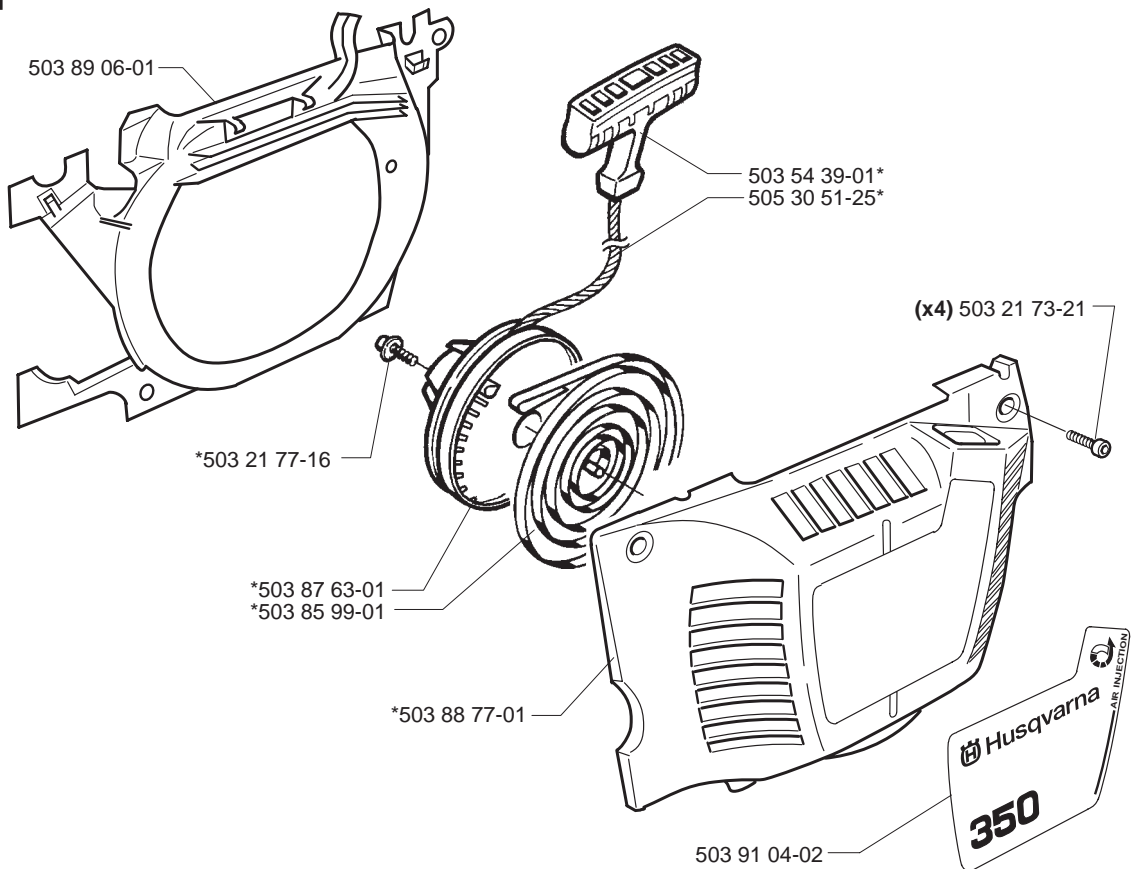


L



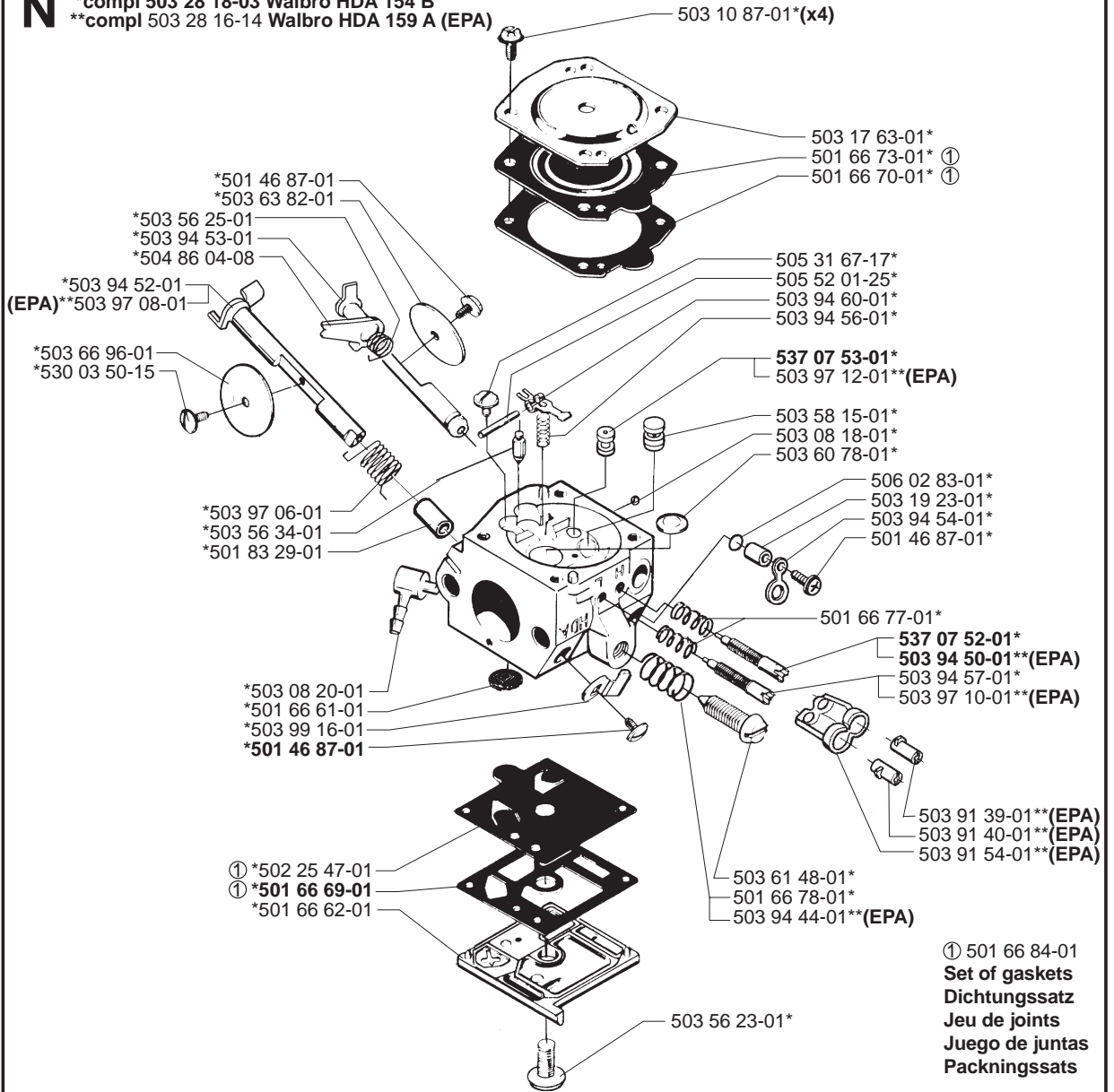
M

*compl 503 88 76-01



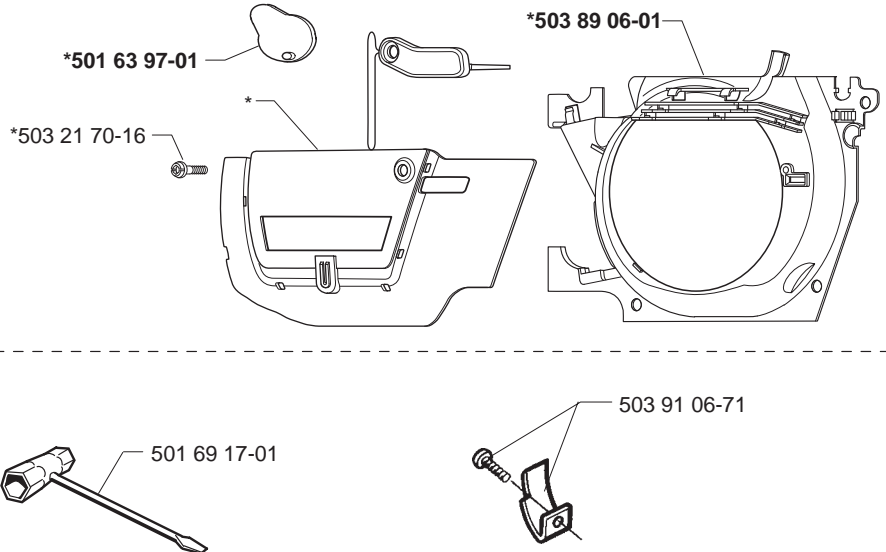
N

*compl 503 28 18-03 Walbro HDA 154 B
**compl 503 28 16-14 Walbro HDA 159 A (EPA)



P

*compl 537 04 28-71 WINTER KIT



Q



Up to 991499999

