

350



1.1998

Spare parts

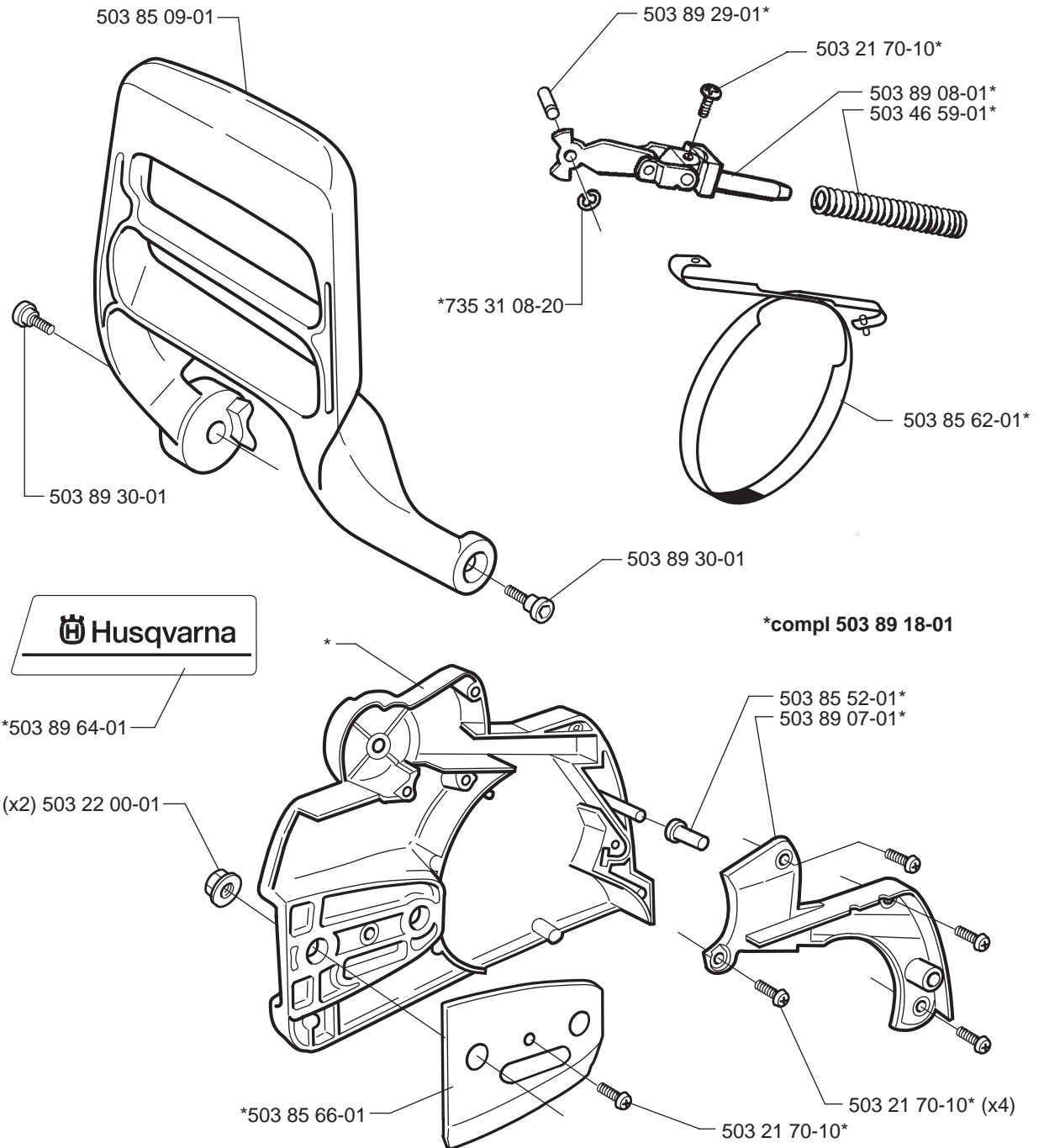
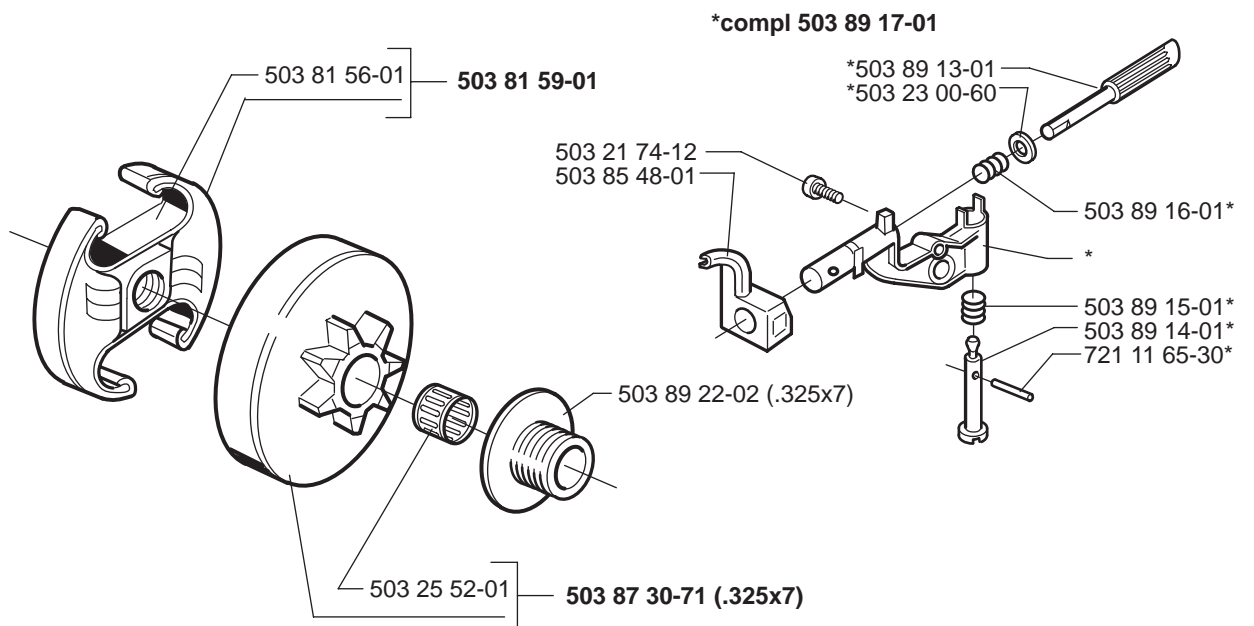
Ersatzteile

Pièces détachées

Reserve onderdelen

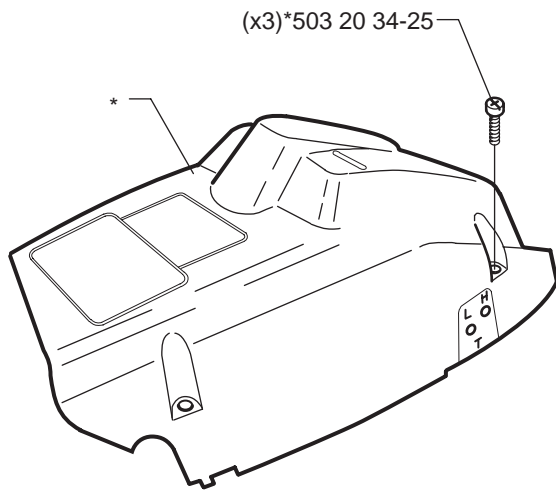
Repuestos

Reservdelar

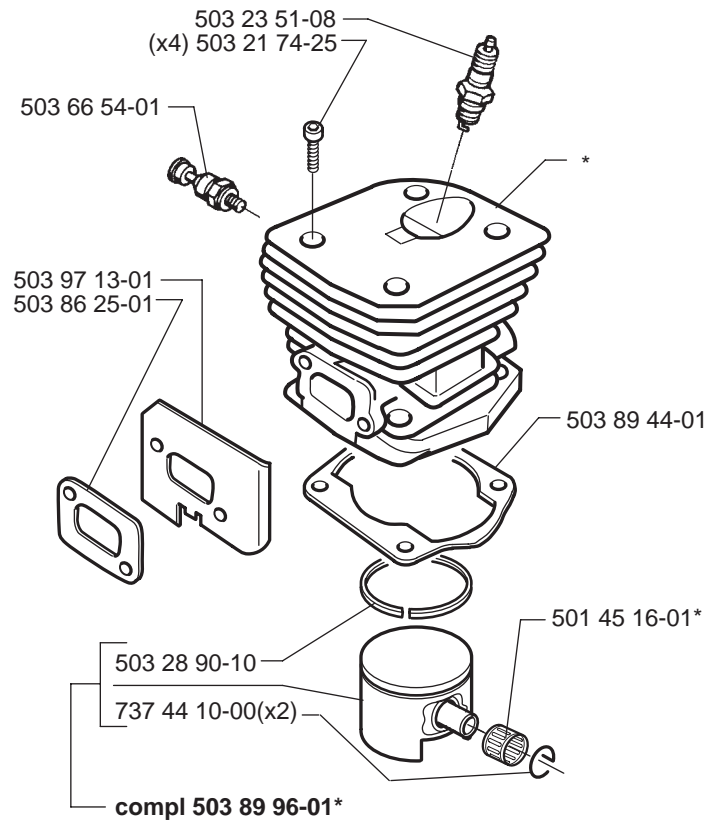
A**B**

C

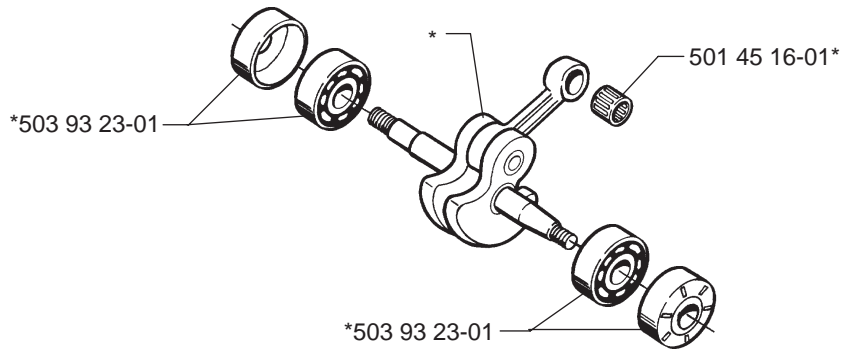
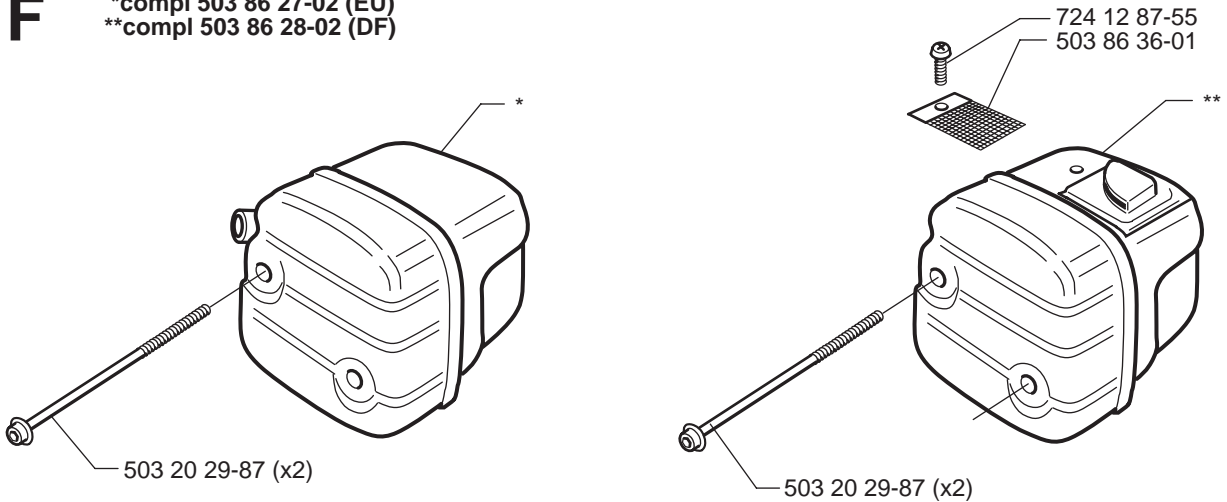
*compl 503 91 05-01

**D**

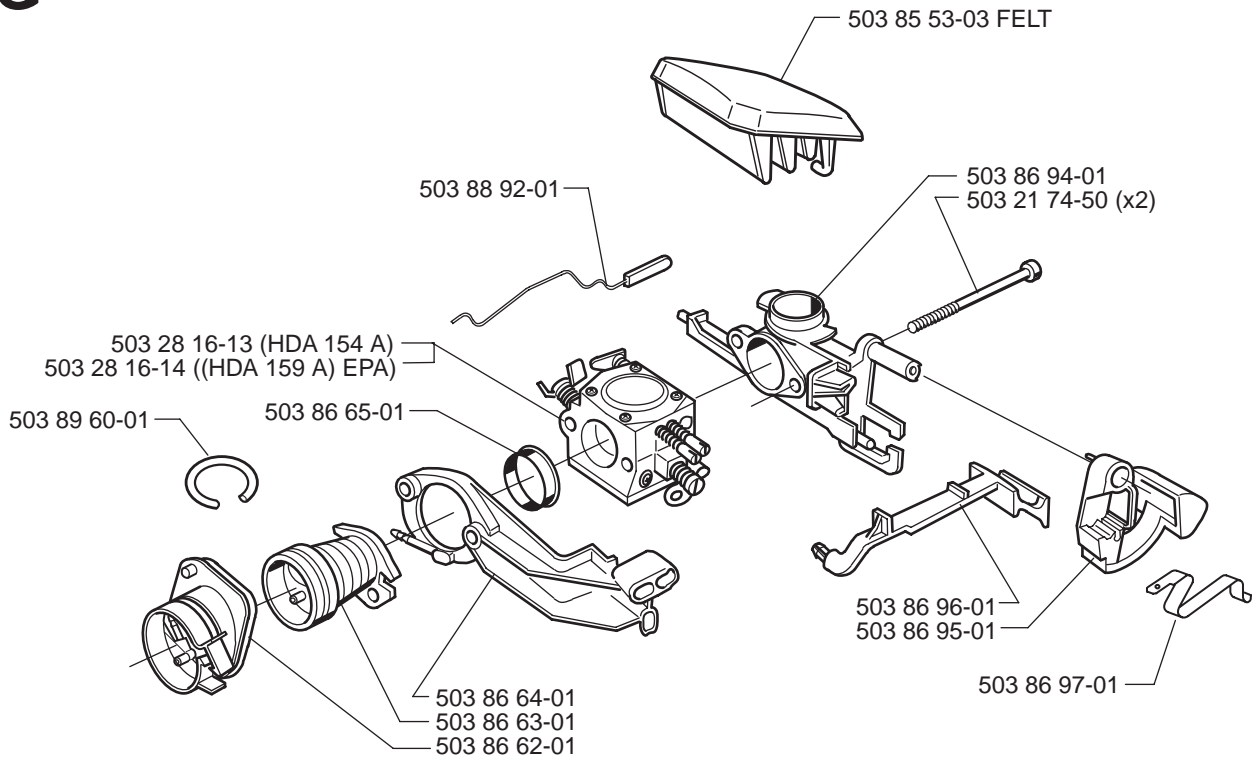
*compl 503 86 99-71

**E**

*compl 503 85 80-71

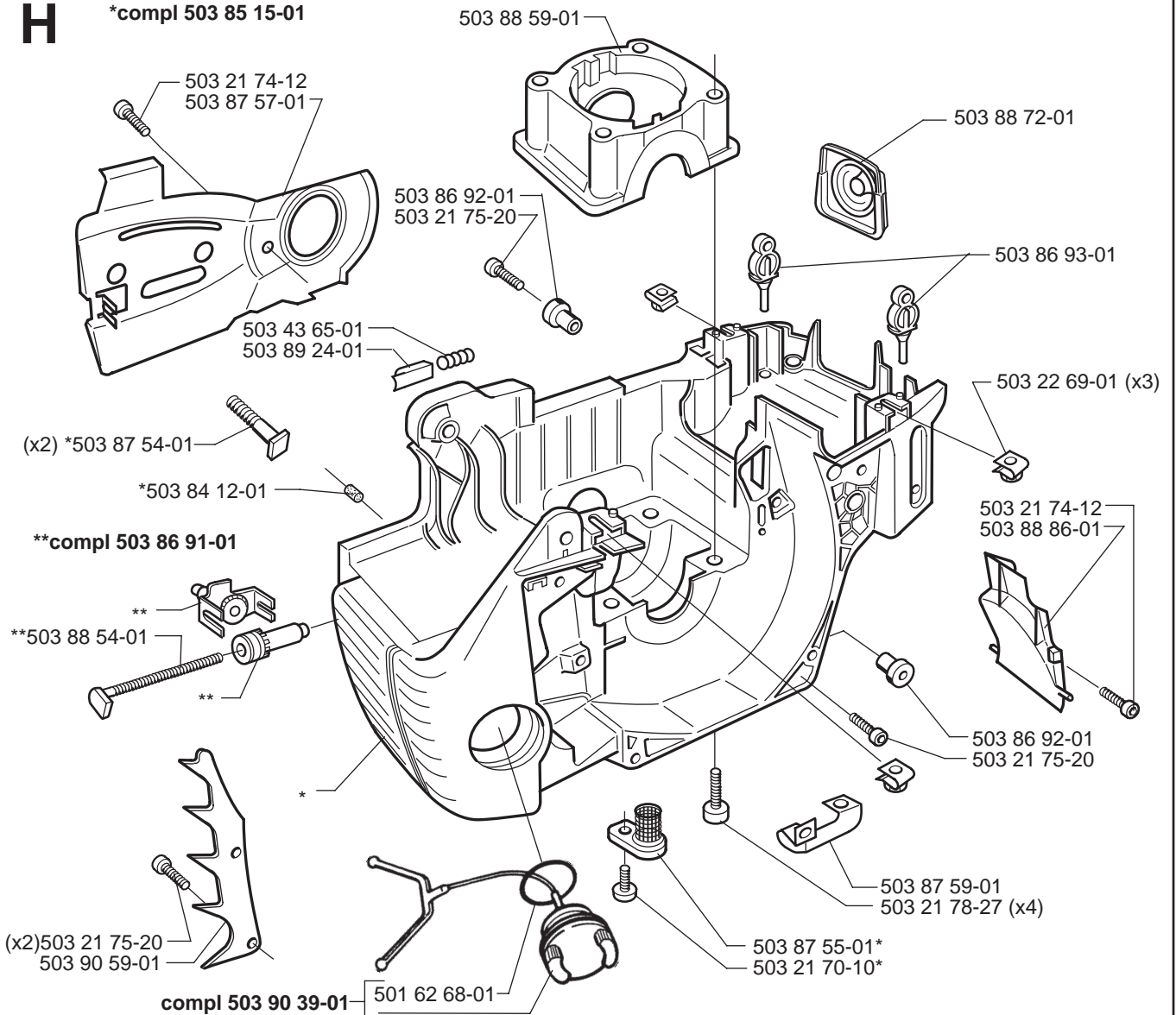
**F***compl 503 86 27-02 (EU)
**compl 503 86 28-02 (DF)

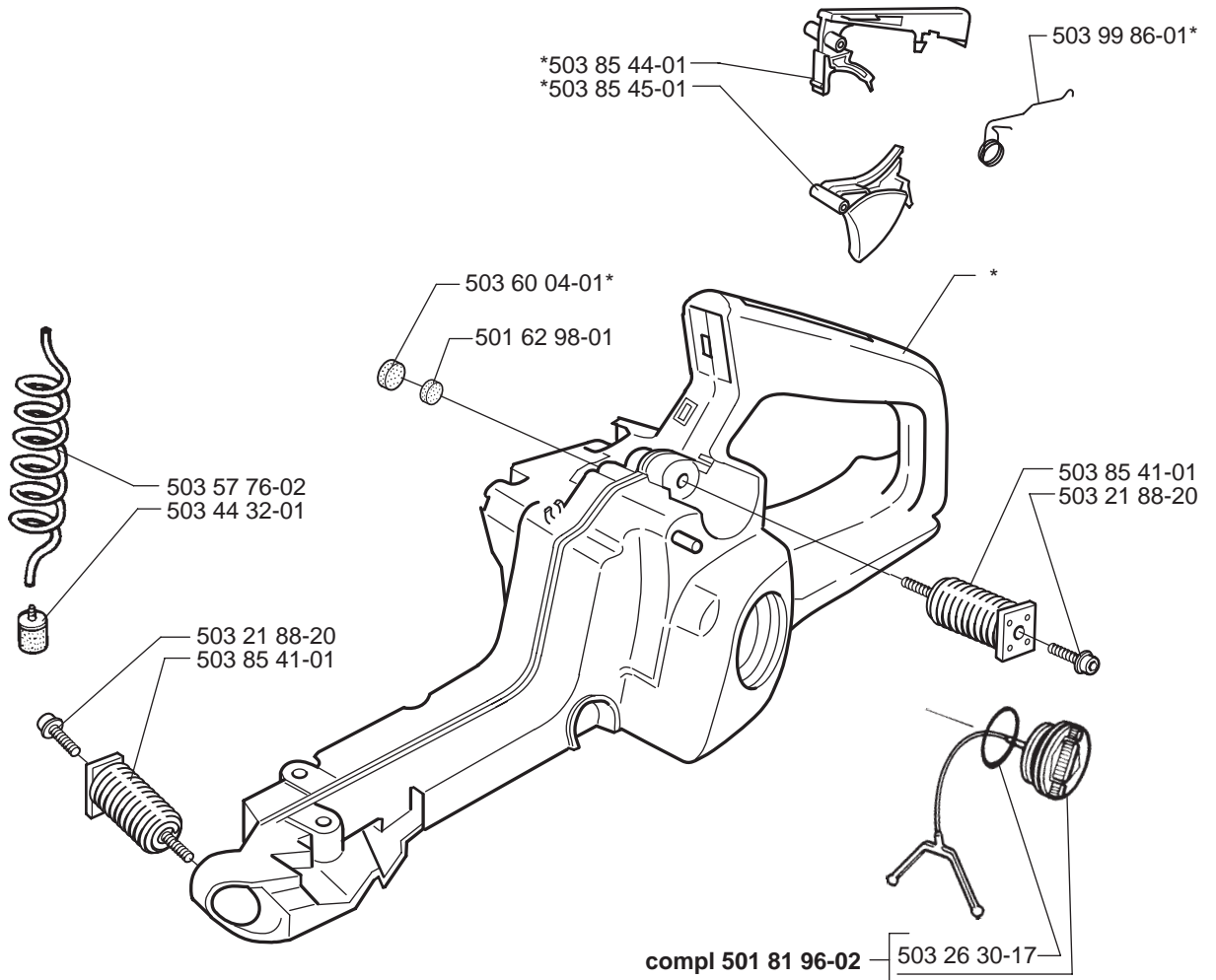
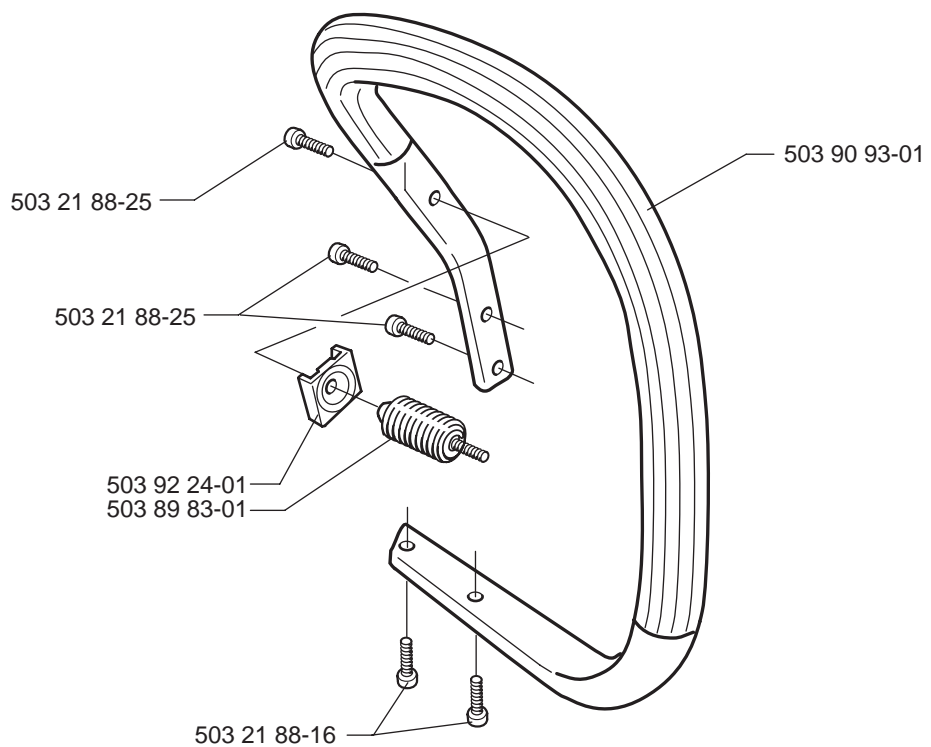
G



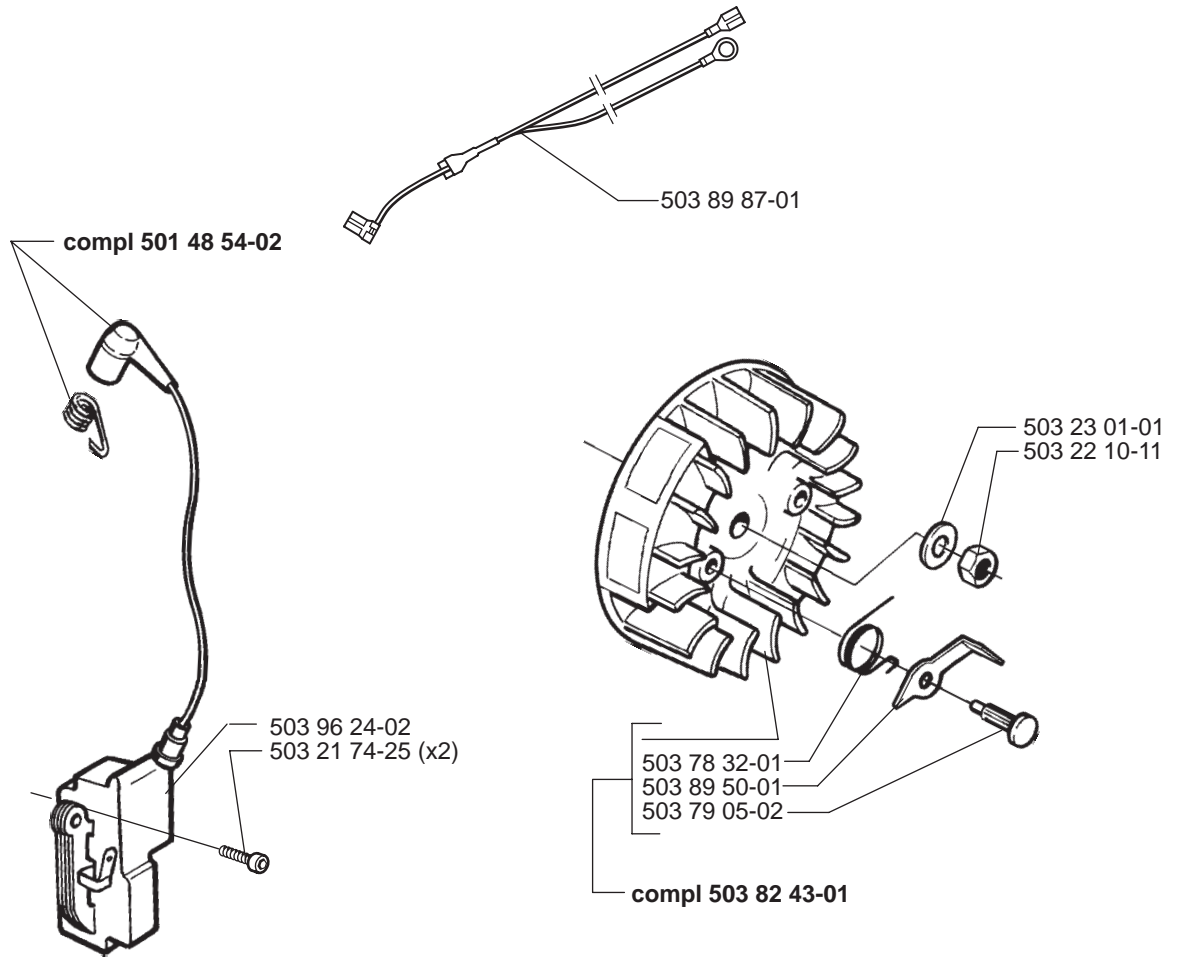
H

***compl 503 85 15-01**



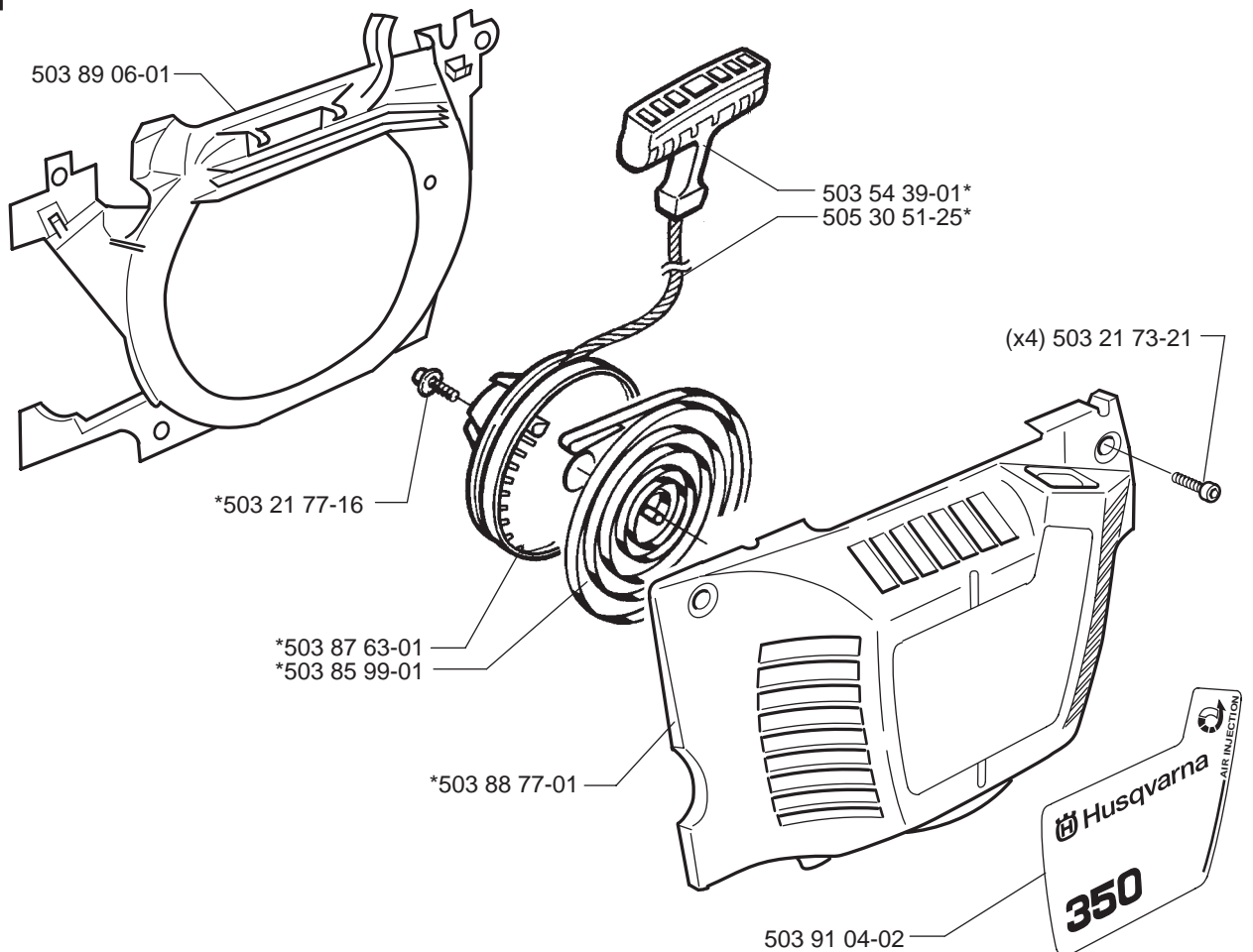
J***compl 503 86 37-71****K**

L

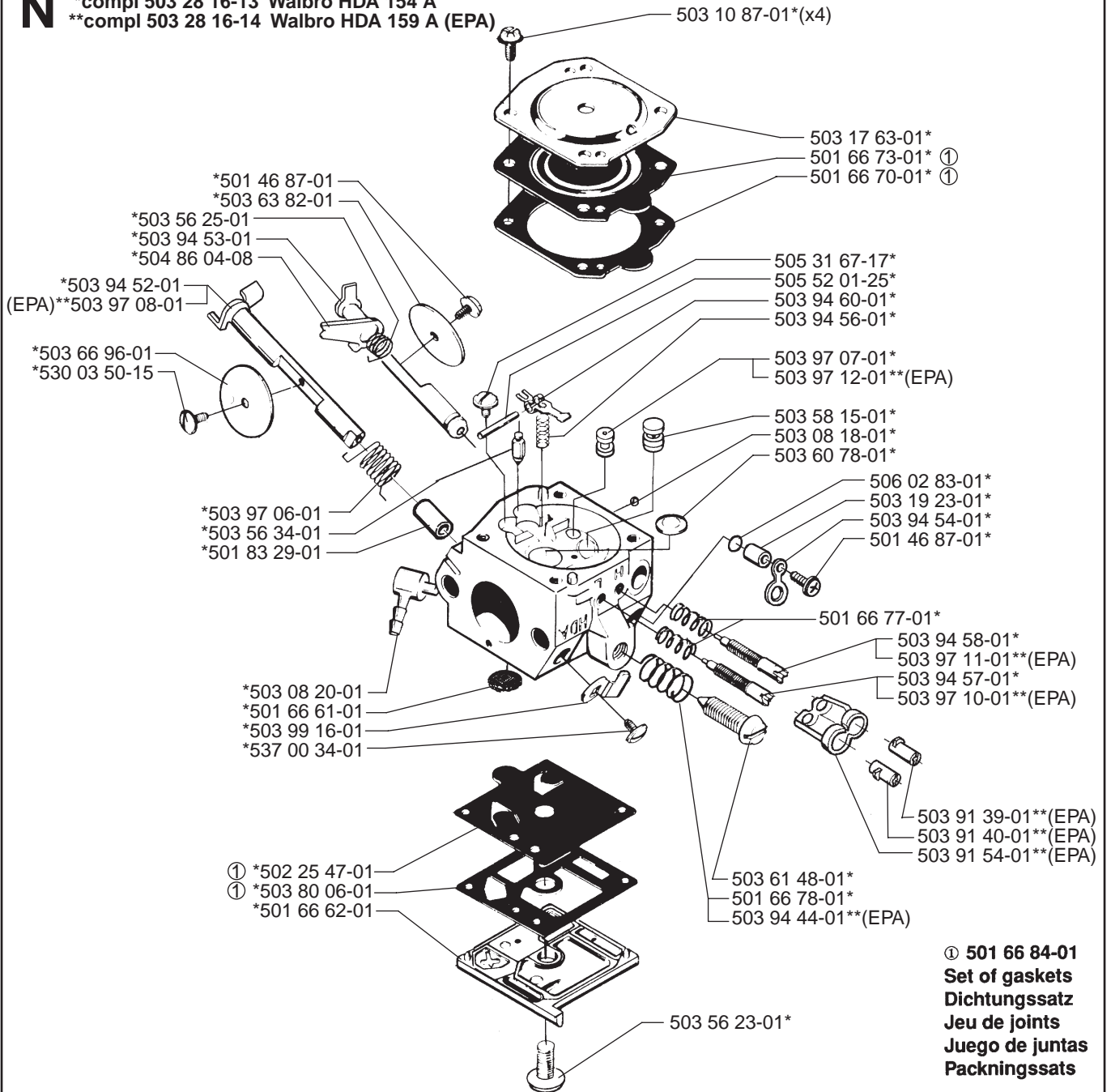


M

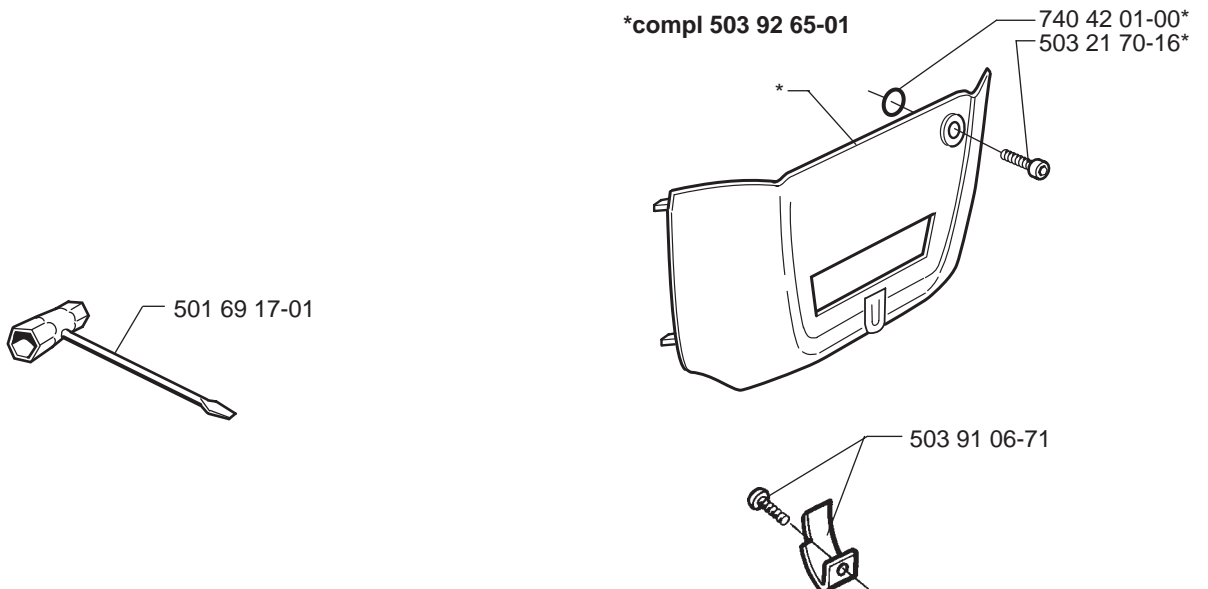
***compl 503 88 76-01**



N *compl 503 28 16-13 Walbro HDA 154 A
 **compl 503 28 16-14 Walbro HDA 159 A (EPA)



P



MODEL NUMBER 350

PART NUMBER	SQUARE	NOTE	PART NUMBER	SQUARE	NOTE	PART NUMBER	SQUARE	NOTE	PART NUMBER	SQUARE	NOTE
501 45 16-01	DE		503 85 41-01	J	N	503 92 65-01	P	N			
501 46 87-01	N		503 85 44-01	J	N	503 93 23-01	E	N			
501 48 54-02	L		503 85 45-01	J	N	503 94 44-01	N	N			
501 62 68-01	H		503 85 48-01	B	N	503 94 52-01	N	N			
501 62 98-01	J		503 85 52-01	A	N	503 94 53-01	N	N			
501 66 61-01	N		503 85 53-03	G	N	503 94 54-01	N	N			
501 66 62-01	N		503 85 62-01	A	N	503 94 56-01	N	N			
501 66 70-01	N		503 85 66-01	A	N	503 94 57-01	N	N			
501 66 73-01	N		503 85 80-71	E	N	503 94 58-01	N	N			
501 66 77-01	N		503 85 99-01	M	N	503 94 60-01	N	N			
501 66 78-01	N		503 86 25-01	D	N	503 96 24-02	L	N			
501 66 84-01	N		503 86 27-02	F	N	503 97 06-01	N	N			
501 69 17-01	P		503 86 28-02	F	N	503 97 07-01	N	N			
501 81 96-02	J		503 86 36-01	F	N	503 97 08-01	N	N			
501 83 29-01	N		503 86 37-71	J	N	503 97 10-01	N	N			
502 25 47-01	N		503 86 62-01	G	N	503 97 11-01	N	N			
503 08 18-01	N		503 86 63-01	G	N	503 97 12-01	N	N			
503 08 20-01	N		503 86 64-01	G	N	503 97 13-01	D	N			
503 10 87-01	N		503 86 65-01	G	N	503 99 16-01	N	N			
503 17 63-01	N		503 86 91-01	H	N	503 99 86-01	J	N			
503 19 23-01	N	N	503 86 92-01	H	N	504 86 04-08	N				
503 20 29-87	F	N	503 86 93-01	H	N	505 30 51-25	M				
503 20 34-25	C		503 86 94-01	G	N	505 31 67-17	N				
503 21 70-10	AH	N	503 86 95-01	G	N	505 52 01-25	N				
503 21 70-16	P	N	503 86 96-01	G	N	506 02 83-01	N				
503 21 73-21	M	N	503 86 97-01	G	N	530 03 50-15	N				
503 21 74-12	BH	N	503 86 99-71	D	N	537 00 34-01	N	N			
503 21 74-25	DL	N	503 87 30-71	B	N	721 11 65-30	B	N			
503 21 74-50	G	N	503 87 54-01	H	N	724 12 87-55	F				
503 21 75-20	H	N	503 87 55-01	H	N	735 31 08-20	A				
503 21 77-16	M		503 87 57-01	H	N	737 44 10-00	D				
503 21 78-27	H	N	503 87 59-01	H	N	740 42 01-00	P				
503 21 88-16	K	N	503 87 63-01	M	N						
503 21 88-20	J	N	503 88 54-01	H	N						
503 21 88-25	K	N	503 88 59-01	H	N						
503 22 00-01	A		503 88 72-01	H	N						
503 22 10-11	L		503 88 76-01	M	N						
503 22 69-01	H	N	503 88 77-01	M	N						
503 23 00-60	B	N	503 88 86-01	H	N						
503 23 01-01	L		503 88 92-01	G	N						
503 23 51-08	D		503 89 06-01	M	N						
503 25 52-01	B	N	503 89 07-01	A	N						
503 26 30-17	J		503 89 08-01	A	N						
503 28 16-13	GN	N	503 89 13-01	B	N						
503 28 16-14	GN	N	503 89 14-01	B	N						
503 28 90-10	D		503 89 15-01	B	N						
503 43 65-01	H		503 89 16-01	B	N						
503 44 32-01	J		503 89 17-01	B	N						
503 46 59-01	A		503 89 18-01	A	N						
503 54 39-01	M		503 89 22-02	B	N						
503 56 23-01	N		503 89 24-01	H	N						
503 56 25-01	N		503 89 29-01	A	N						
503 56 34-01	N		503 89 30-01	A	N						
503 57 76-02	J		503 89 44-01	D	N						
503 58 15-01	N		503 89 50-01	L	N						
503 60 04-01	J		503 89 60-01	G	N						
503 60 78-01	N		503 89 64-01	A	N						
503 61 48-01	N		503 89 83-01	K	N						
503 63 82-01	N		503 89 87-01	L	N						
503 66 54-01	D		503 89 96-01	D	N						
503 66 96-01	N		503 90 39-01	H	N						
503 78 32-01	L		503 90 59-01	H	N						
503 79 05-02	L		503 90 93-01	K	N						
503 80 06-01	N		503 91 04-02	M	N						
503 81 56-01	B	N	503 91 05-01	C	N						
503 81 59-01	B	N	503 91 06-71	P	N						
503 82 43-01	L	N	503 91 39-01	N							
503 84 12-01	H		503 91 40-01	N							
503 85 09-01	A	N	503 91 54-01	N							
503 85 15-01	H	N	503 92 24-01	K	N						

N= NEW PART
 NEUES TEIL
 NOUVELLE PIECE
 NUEVA PIEZA
 NY DETALJ