

323L, 323R

326C

326L, 326Lx, 326LDx

326Rx, 326RJx

Spare parts

Replaces

Ersatzteile

Ersetzt

Pièces détachées

Remplace

Reserve onderdelen

Vervangt

Repuestos

Reemplaza

Reservdelar

Ersätter

106 26 56-64

| PART NUMBER | SQUARE NOTE | PART NUMBER | SQUARE NOTE | PART NUMBER | SQUARE NOTE | PART NUMBER | SQUARE NOTE |
|--------------|-------------|--------------|-------------|--------------|-------------|--------------|-------------|
| 501 48 54-02 | N | 503 49 71-01 | K | 503 97 98-44 | L | 537 07 39-02 | F |
| 501 60 02-03 | S | 503 53 57-01 | T | 503 97 98-45 | L | 537 07 68-03 | B |
| 501 78 33-01 | S | 503 57 76-01 | M | 503 98 12-41 | H | 537 08 27-01 | D |
| 502 02 28-01 | S | 503 66 59-01 | T | 503 98 12-42 | H | 537 08 30-01 | D |
| 502 02 28-02 | S | 503 70 80-04 | D | 503 98 54-01 | D | 537 08 46-71 | P |
| 502 02 29-02 | S | 503 71 22-01 | PR | 503 99 55-01 | F | 537 08 51-01 | P |
| 502 02 30-02 | S | 503 71 54-01 | D | 503 99 55-02 | F | 537 08 52-01 | Q |
| 502 02 38-01 | S | 503 71 82-01 | FG | 503 99 56-01 | F | 537 08 85-01 | Q |
| 502 03 55-05 | S | 503 72 29-01 | E | 503 99 56-02 | F | 537 09 17-01 | N |
| 502 11 46-02 | S | 503 72 43-09 | E | 503 99 61-01 | S | 537 10 44-01 | H |
| 502 19 71-01 | CE | 503 73 40-01 | S | 503 99 61-03 | S | 537 11 35-01 | S |
| 502 19 95-03 | E | 503 73 41-02 | S | 503 99 78-01 | C | 537 12 78-01 | T |
| 502 20 38-01 | DE | 503 73 58-01 | M | 530 03 85-99 | B | 537 14 31-01 | K |
| 502 20 40-01 | K | 503 75 00-01 | E | 530 05 22-86 | S | 537 15 42-01 | B |
| 502 20 40-02 | K | 503 75 53-01 | T | 530 05 38-00 | B | 537 16 02-02 | G |
| 502 20 65-03 | K | 503 78 52-01 | D | 530 09 45-43 | B | 537 16 06-01 | G |
| 502 21 12-01 | E | 503 79 56-01 | BCD | 531 00 45-52 | T | 537 16 07-01 | G |
| 502 21 58-01 | S | 503 79 88-01 | S | 531 00 45-53 | T | 537 16 08-01 | G |
| 502 27 22-01 | S | 503 80 17-01 | S | 531 00 92-48 | S | 537 16 09-01 | G |
| 502 28 59-01 | S | 503 81 60-01 | N | 537 00 84-01 | L | 537 16 10-01 | G |
| 503 20 02-10 | D | 503 84 28-01 | N | 537 01 13-01 | F | 537 17 22-02 | L |
| 503 20 02-45 | E | 503 84 29-02 | N | 537 01 16-01 | D | 537 17 22-03 | L |
| 503 20 03-25 | K | 503 85 24-74 | R | 537 01 19-01 | D | 537 17 22-04 | L |
| 503 20 07-12 | A | 503 85 28-01 | L | 537 01 25-01 | T | 537 17 22-05 | L |
| 503 20 07-16 | CE | 503 85 29-02 | F | 537 01 26-01 | T | 537 17 22-20 | L |
| 503 20 07-25 | AD | 503 85 63-01 | A | 537 01 41-01 | P | 537 17 28-01 | E |
| 503 20 07-35 | GP | 503 85 87-01 | L | 537 01 96-01 | T | 537 17 29-01 | E |
| 503 20 14-12 | A | 503 85 89-01 | L | 537 01 97-01 | T | 537 17 39-01 | G |
| 503 20 15-01 | A | 503 86 45-01 | CE | 537 01 98-01 | T | 537 17 40-01 | G |
| 503 20 29-50 | P | 503 87 17-01 | P | 537 01 99-01 | T | 537 17 42-01 | G |
| 503 20 29-56 | P | 503 87 19-01 | C | 537 02 00-01 | T | 537 17 43-01 | G |
| 503 21 07-16 | S | 503 87 19-03 | C | 537 02 01-01 | T | 537 17 54-01 | S |
| 503 21 35-12 | H | 503 87 26-01 | CEQ | 537 02 02-01 | T | 537 18 35-07 | G |
| 503 21 66-16 | G | 503 87 33-02 | L | 537 02 03-01 | T | 537 18 36-01 | G |
| 503 21 66-18 | LQ | 503 87 35-02 | L | 537 02 04-01 | T | 537 18 49-01 | M |
| 503 21 66-20 | F | 503 87 36-01 | L | 537 02 06-01 | T | 537 18 63-01 | K |
| 503 21 68-16 | CE | 503 87 79-01 | F | 537 02 07-01 | T | 537 19 92-02 | A |
| 503 21 68-20 | HJLQ | 503 87 80-01 | F | 537 02 08-01 | T | 537 21 62-01 | S |
| 503 21 68-25 | Q | 503 87 85-01 | F | 537 02 09-01 | T | 537 21 62-02 | S |
| 503 21 71-16 | JN | 503 87 86-01 | F | 537 02 10-01 | T | 537 21 63-01 | S |
| 503 21 71-18 | Q | 503 87 90-01 | C | 537 02 11-01 | T | 537 21 63-02 | S |
| 503 21 75-16 | KS | 503 88 23-01 | E | 537 02 16-01 | T | 537 23 49-01 | A |
| 503 21 75-25 | E | 503 88 41-01 | B | 537 02 21-01 | S | 537 24 64-01 | D |
| 503 21 75-50 | K | 503 88 79-01 | K | 537 03 22-01 | N | 537 24 96-01 | N |
| 503 21 77-16 | L | 503 88 80-02 | K | 537 03 41-01 | L | 537 27 57-01 | S |
| 503 21 83-16 | S | 503 88 88-01 | CE | 537 03 94-01 | P | 537 27 57-03 | S |
| 503 21 98-25 | B | 503 89 03-01 | K | 537 04 12-03 | Q | 537 27 59-01 | S |
| 503 21 98-35 | B | 503 91 09-01 | K | 537 04 23-01 | N | 537 28 56-01 | A |
| 503 22 10-13 | G | 503 91 10-01 | M | 537 04 24-01 | M | 537 28 83-01 | S |
| 503 22 26-01 | B | 503 91 18-02 | M | 537 04 67-01 | N | 537 28 84-01 | S |
| 503 22 65-04 | K | 503 91 81-01 | F | 537 04 68-01 | N | 537 29 26-01 | A |
| 503 23 00-61 | C | 503 93 42-02 | S | 537 04 75-01 | S | 537 29 34-01 | S |
| 503 23 51-09 | N | 503 93 55-01 | A | 537 04 89-01 | T | 537 29 48-02 | BCDE |
| 503 25 24-01 | A | 503 93 66-01 | M | 537 04 90-01 | T | 537 30 96-01 | Q |
| 503 28 31-11 | KT | 503 94 02-01 | R | 537 05 23-01 | M | 537 32 02-01 | H |
| 503 28 31-13 | KT | 503 94 03-01 | C | 537 05 36-71 | P | 537 32 08-01 | H |
| 503 28 90-43 | P | 503 94 05-01 | R | 537 05 78-01 | K | 537 35 34-34 | L |
| 503 44 32-01 | M | 503 94 10-01 | CE | 537 06 33-02 | N | 724 12 87-59 | P |
| 503 47 89-01 | T | 503 94 26-01 | K | 537 06 44-03 | N | 725 23 68-71 | S |
| 503 47 90-01 | T | 503 96 13-01 | F | 537 06 61-01 | J | 725 23 70-51 | A |
| 503 47 92-01 | T | 503 96 13-01 | HJ | 537 06 63-01 | K | 725 23 78-51 | C |
| 503 47 96-01 | T | 503 96 14-01 | F | 537 06 65-01 | J | 725 23 79-51 | D |
| 503 47 97-01 | T | 503 96 25-01 | K | 537 06 66-01 | J | 725 23 80-51 | C |
| 503 48 00-01 | T | 503 96 31-01 | E | 537 06 68-01 | Q | 725 23 86-51 | E |
| 503 48 01-01 | T | 503 96 49-01 | L | 537 06 69-01 | Q | 731 23 14-01 | C |
| 503 48 05-01 | T | 503 97 21-01 | HJ | 537 06 86-01 | M | 731 23 14-01 | CEJK |
| 503 48 08-01 | T | 503 97 40-01 | T | 537 06 86-02 | M | 731 23 16-01 | B |
| 503 48 11-01 | T | 503 97 43-01 | T | 537 07 07-01 | P | 731 71 16-51 | LN |
| 503 48 18-01 | T | 503 97 64-01 | S | 537 07 36-01 | Q | 735 31 08-20 | L |
| 503 48 19-01 | T | 503 97 71-01 | S | 537 07 37-01 | B | 735 31 09-20 | S |

Set of gaskets, Dichtungssatz,
Jeu de joints, Juego de juntas,
Packningssats

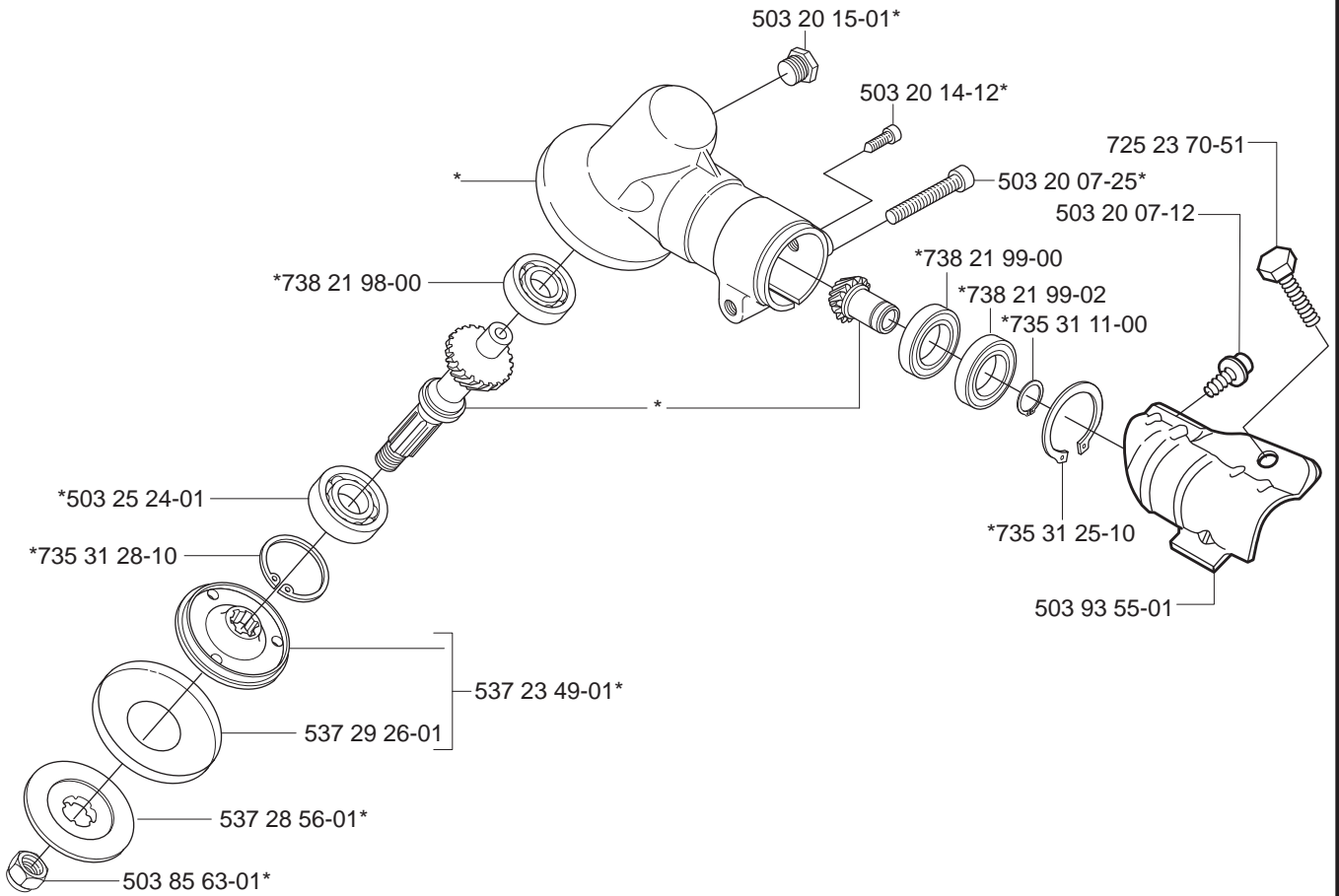
N = New part, Neues teil,
Nouvelle piece, Nueva pieza
Ny detalj

| PART NUMBER | SQUARE NOTE | PART NUMBER | SQUARE NOTE | PART NUMBER | SQUARE NOTE | PART NUMBER | SQUARE NOTE |
|--------------|-------------|-------------|-------------|-------------|-------------|-------------|-------------|
| 735 31 11-00 | A | | | | | | |
| 735 31 12-00 | B | | | | | | |
| 735 31 25-10 | A | | | | | | |
| 735 31 28-10 | A | | | | | | |
| 735 58 08-10 | D | | | | | | |
| 737 44 08-00 | P | | | | | | |
| 738 21 98-00 | A | | | | | | |
| 738 21 99-00 | A | | | | | | |
| 738 21 99-02 | A | | | | | | |
| 740 42 06-00 | F | | | | | | |
| 740 68 11-21 | K | | | | | | |

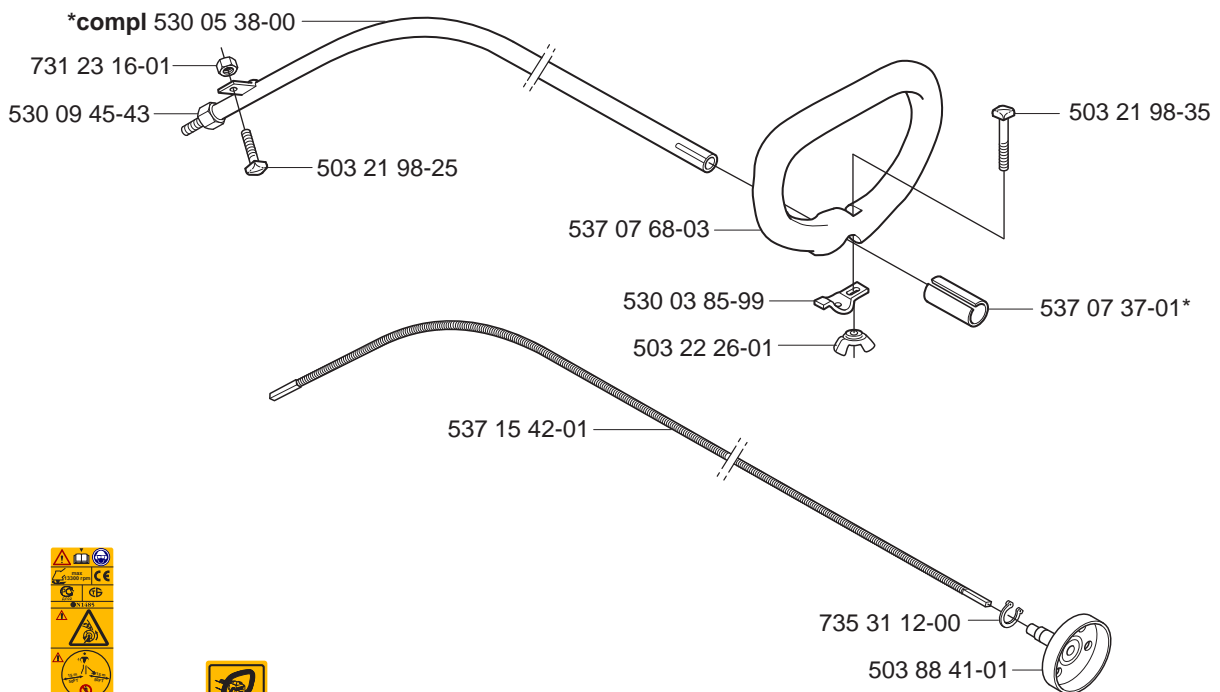
Set of gaskets, Dichtungssatz,
 Jeu de joints, Juego de juntas,
 Packningssats

N = New part, Neues teil,
 Nouvelle piece, Nueva pieza
 Ny detalj

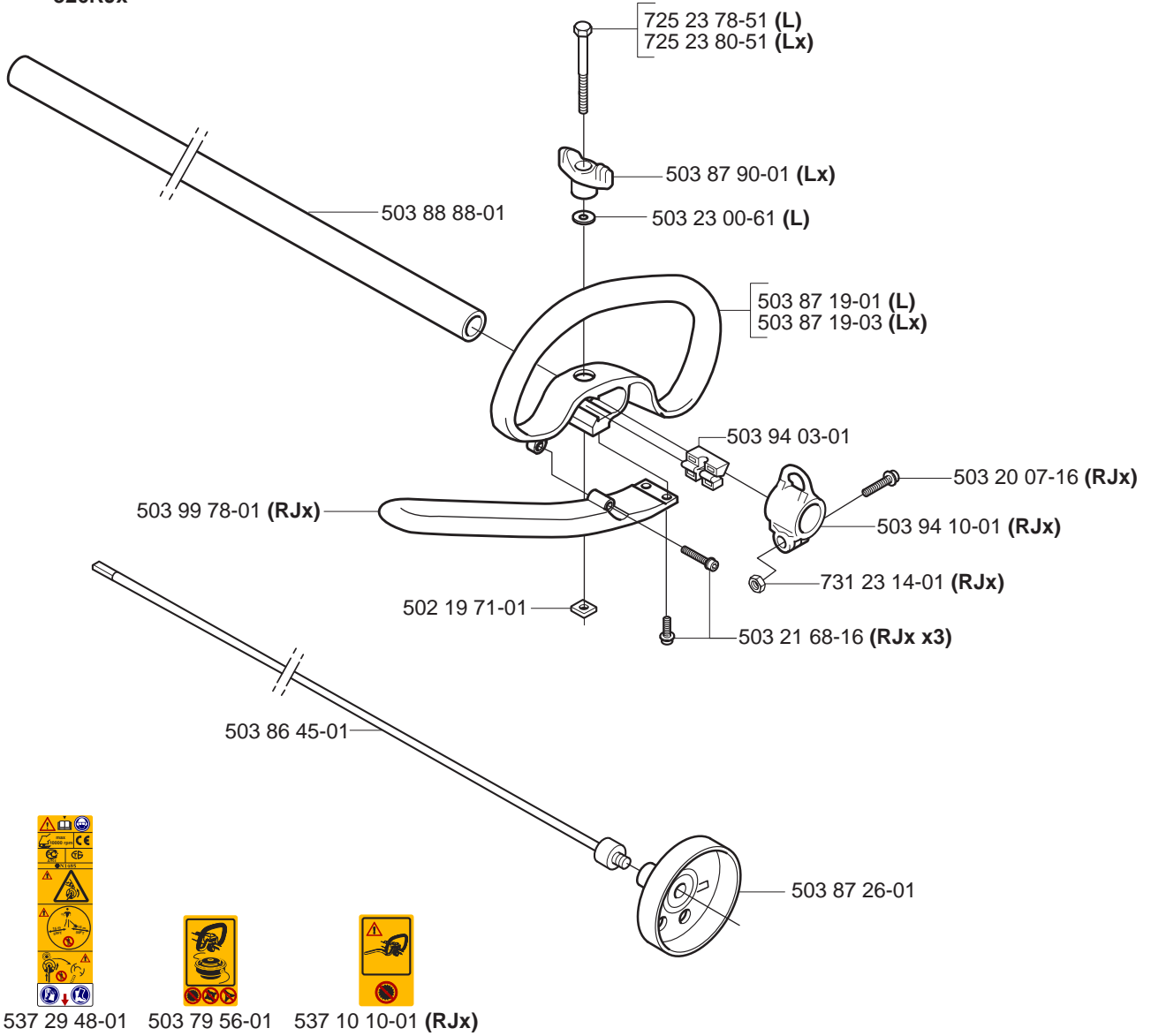
A 323L, R
326L, Lx, LDx, Rx, RJx
*compl 537 19 92-02



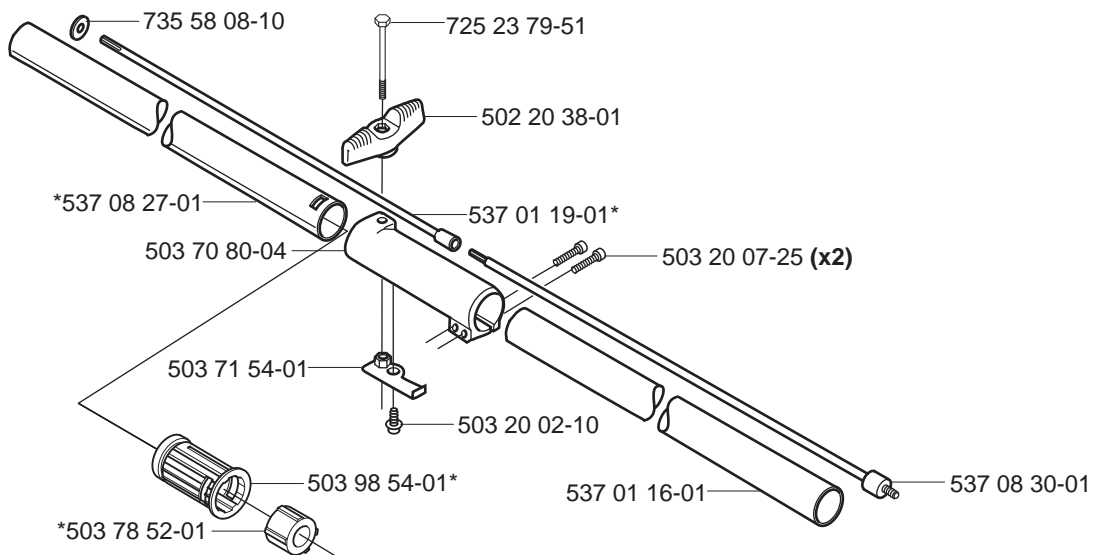
B 326C



C 323L
326L, Lx
326RJx

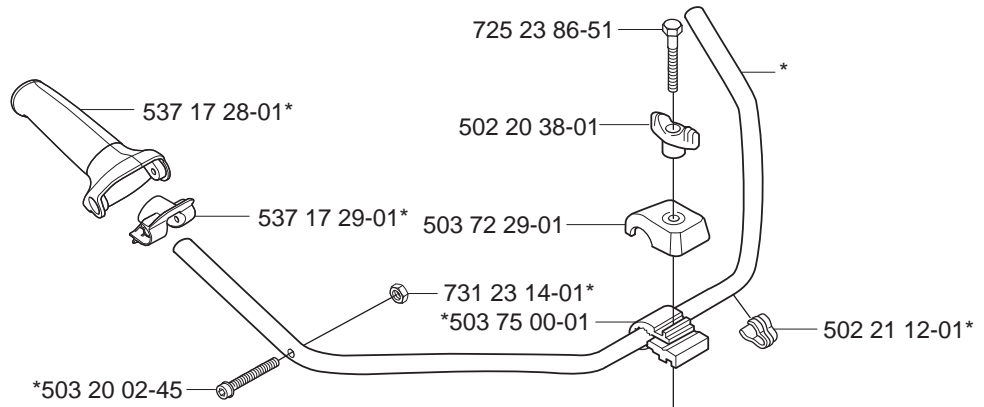
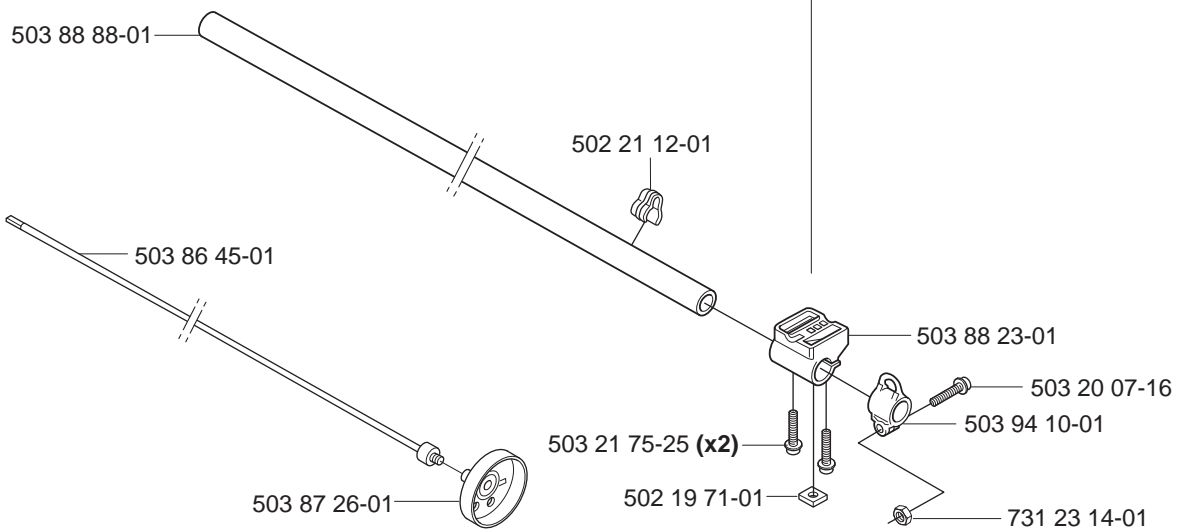
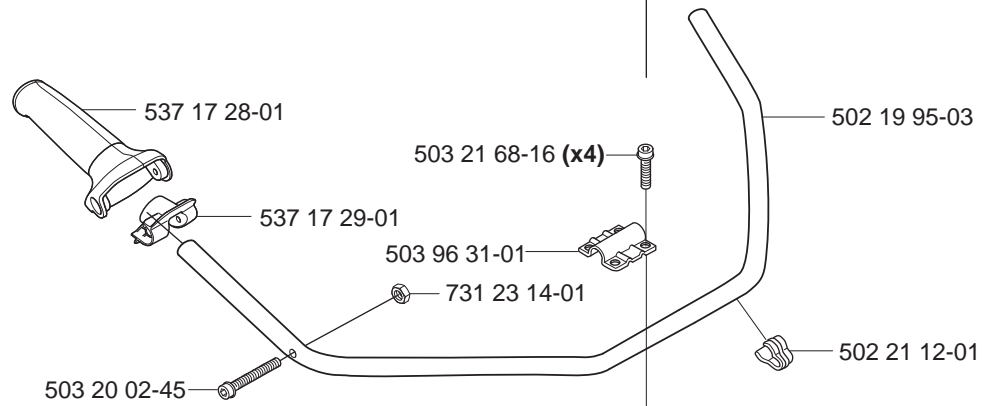


D 326LDx
*compl 537 07 99-01



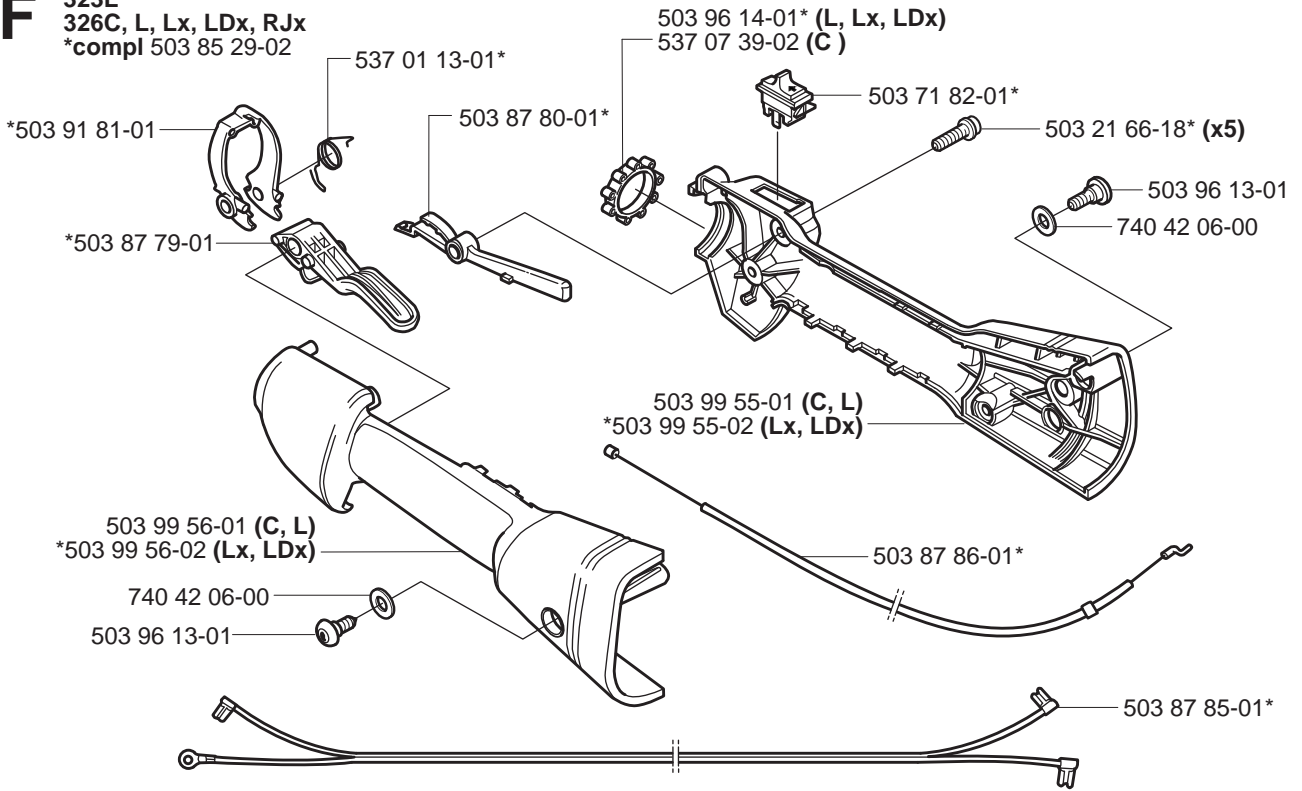
E

323R
326Rx
*compl 503 72 43-09

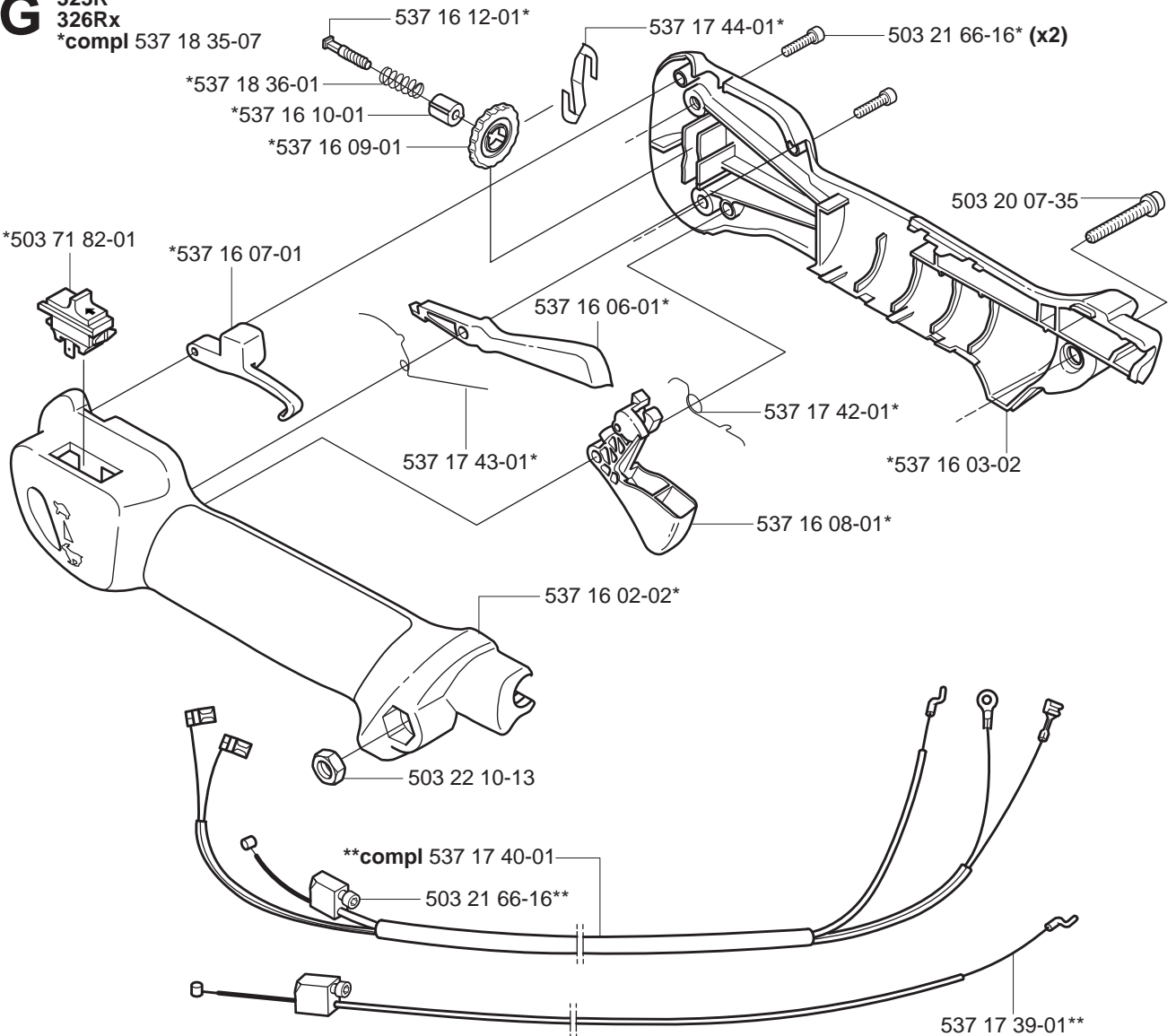
326Rx**323R**

537 29 48-01

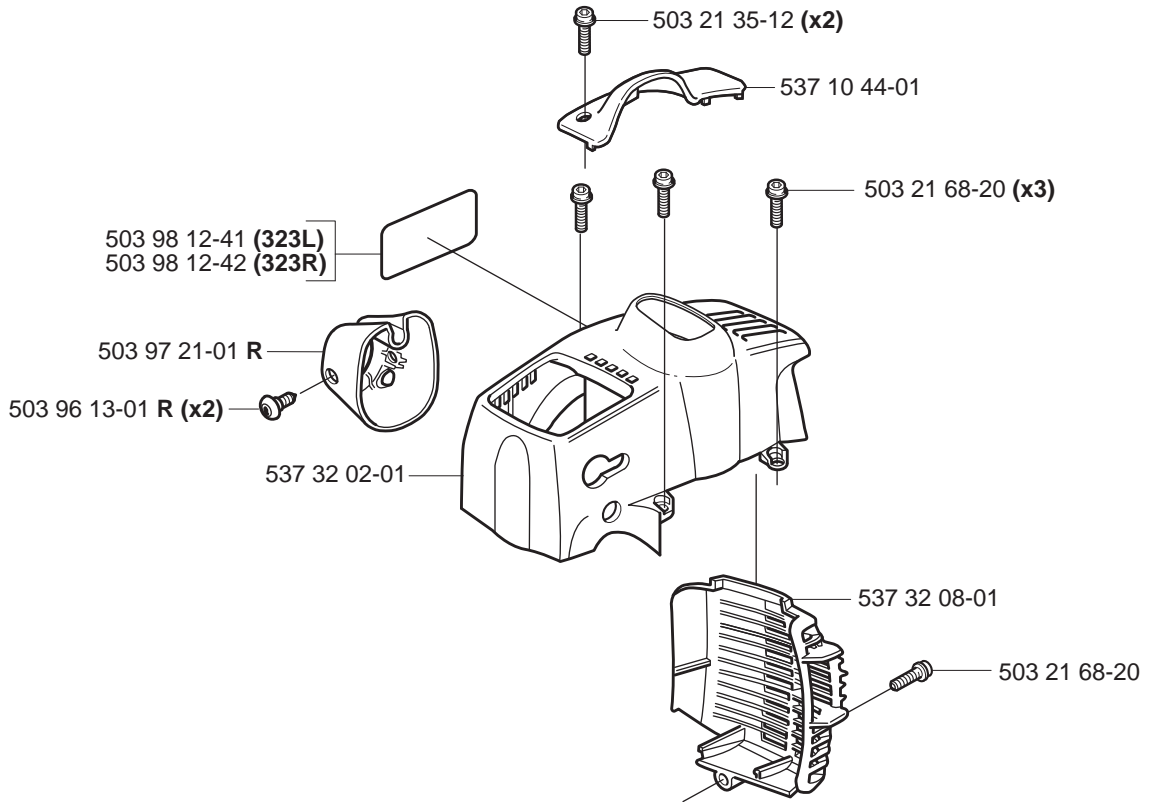
F 323L
326C, L, Lx, LDx, RJx
*compl 503 85 29-02



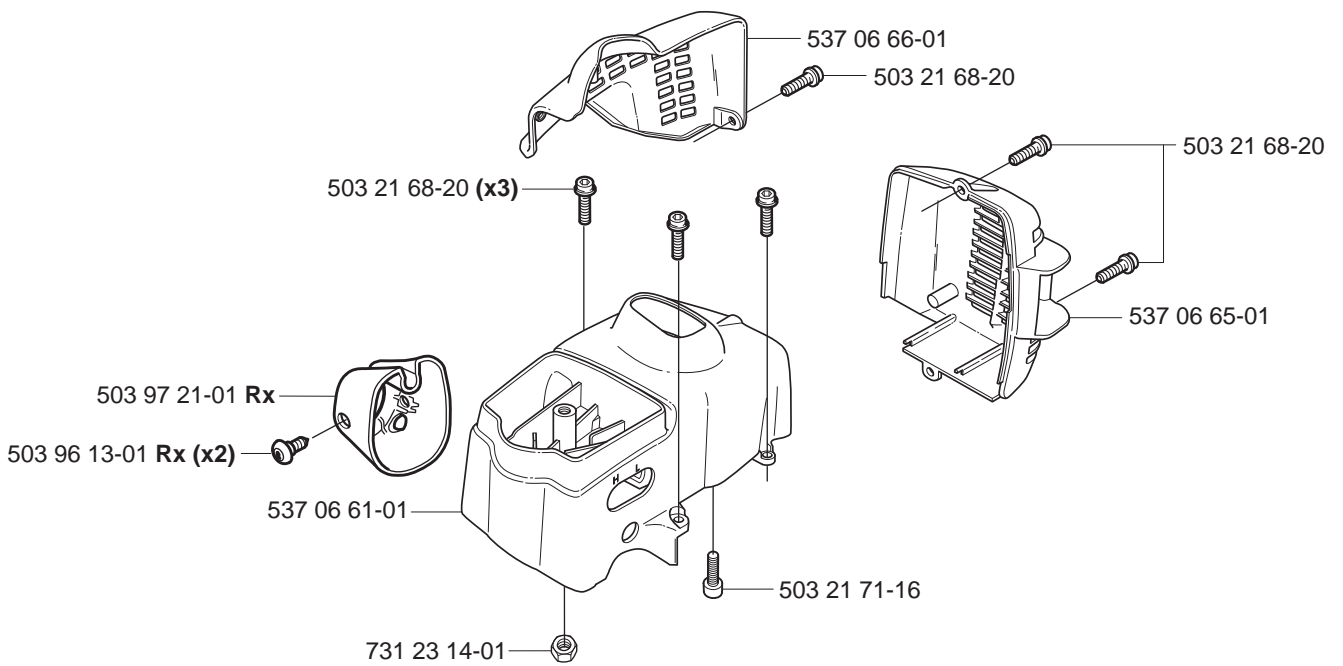
G 323R
326Rx
*compl 537 18 35-07

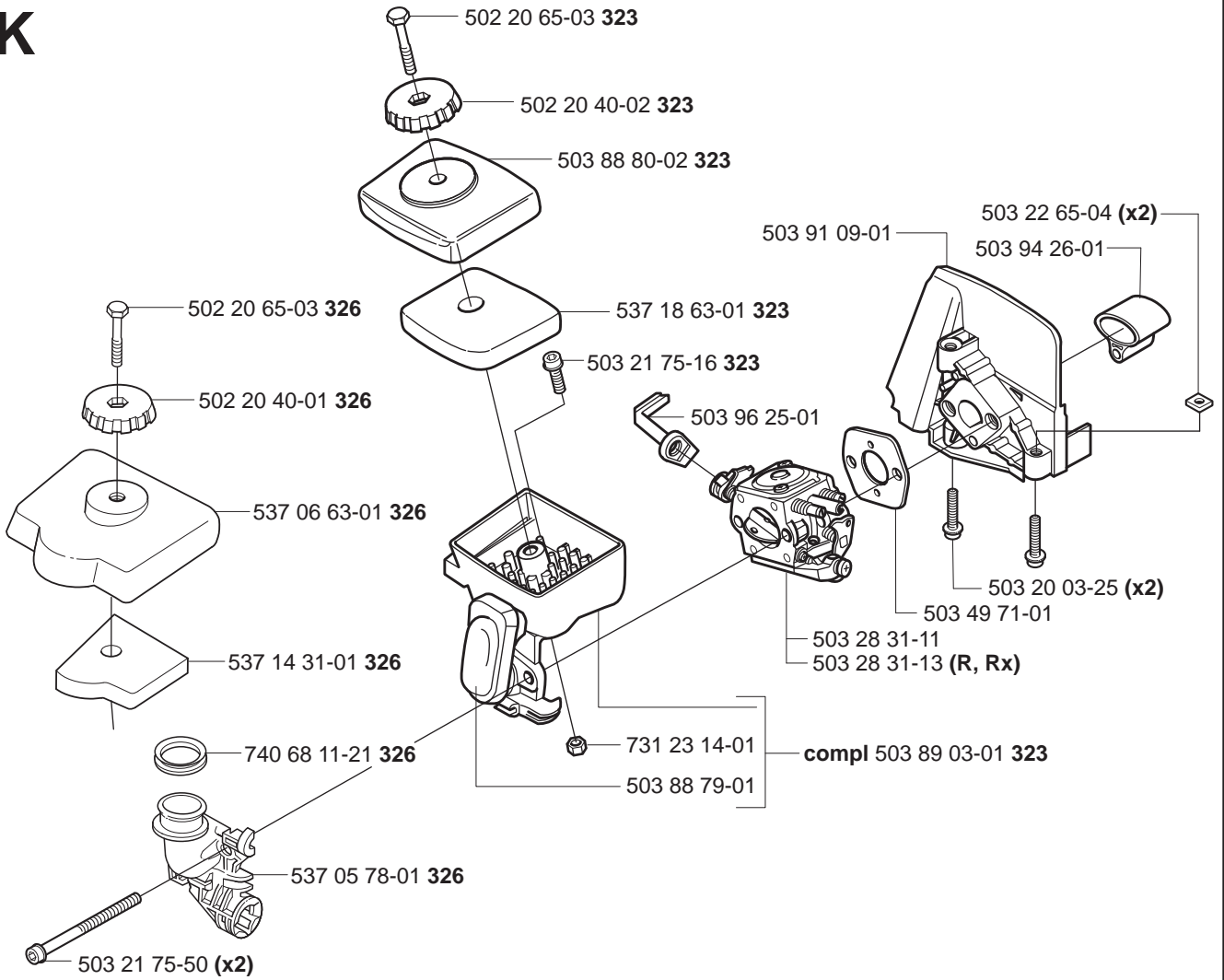
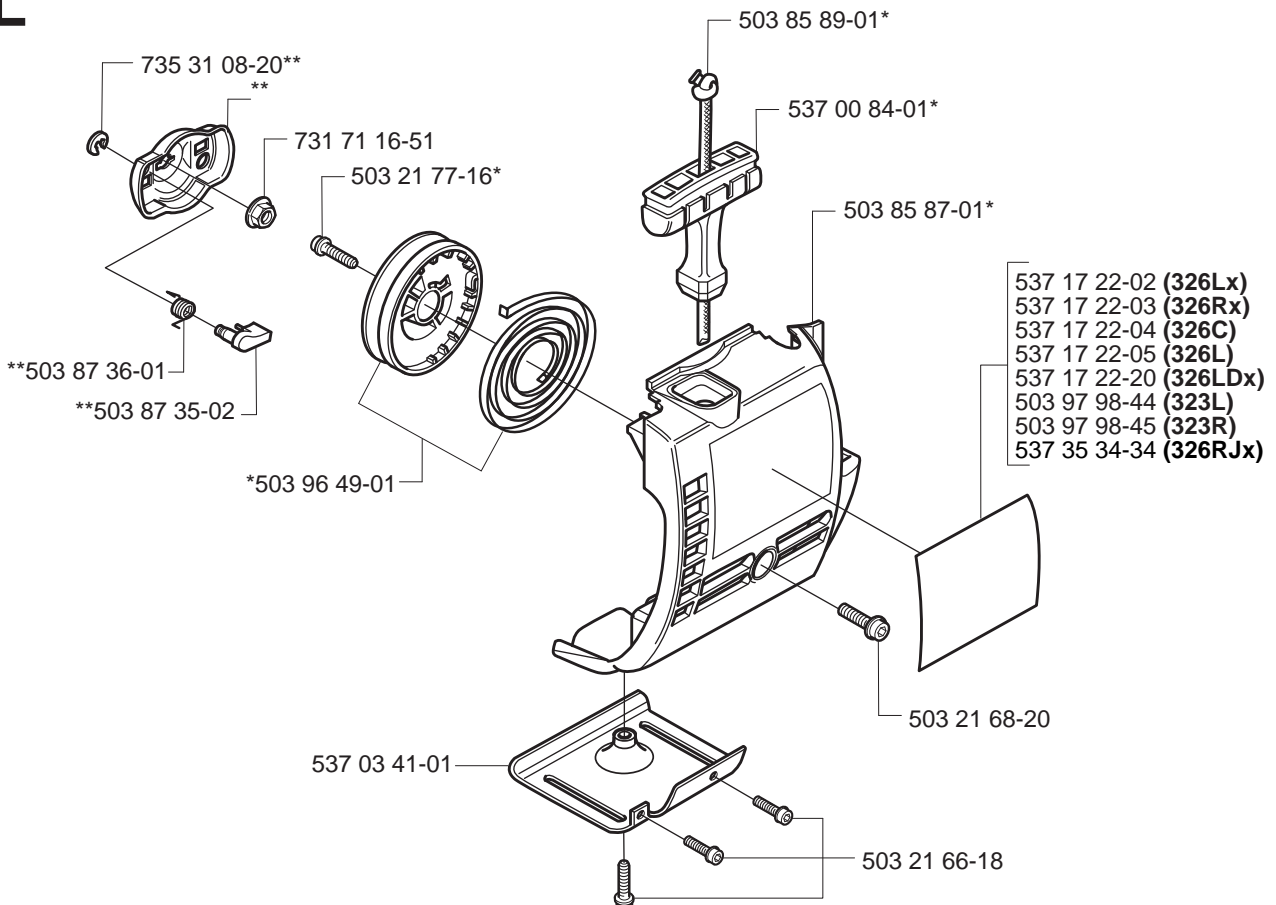


H 323L, R

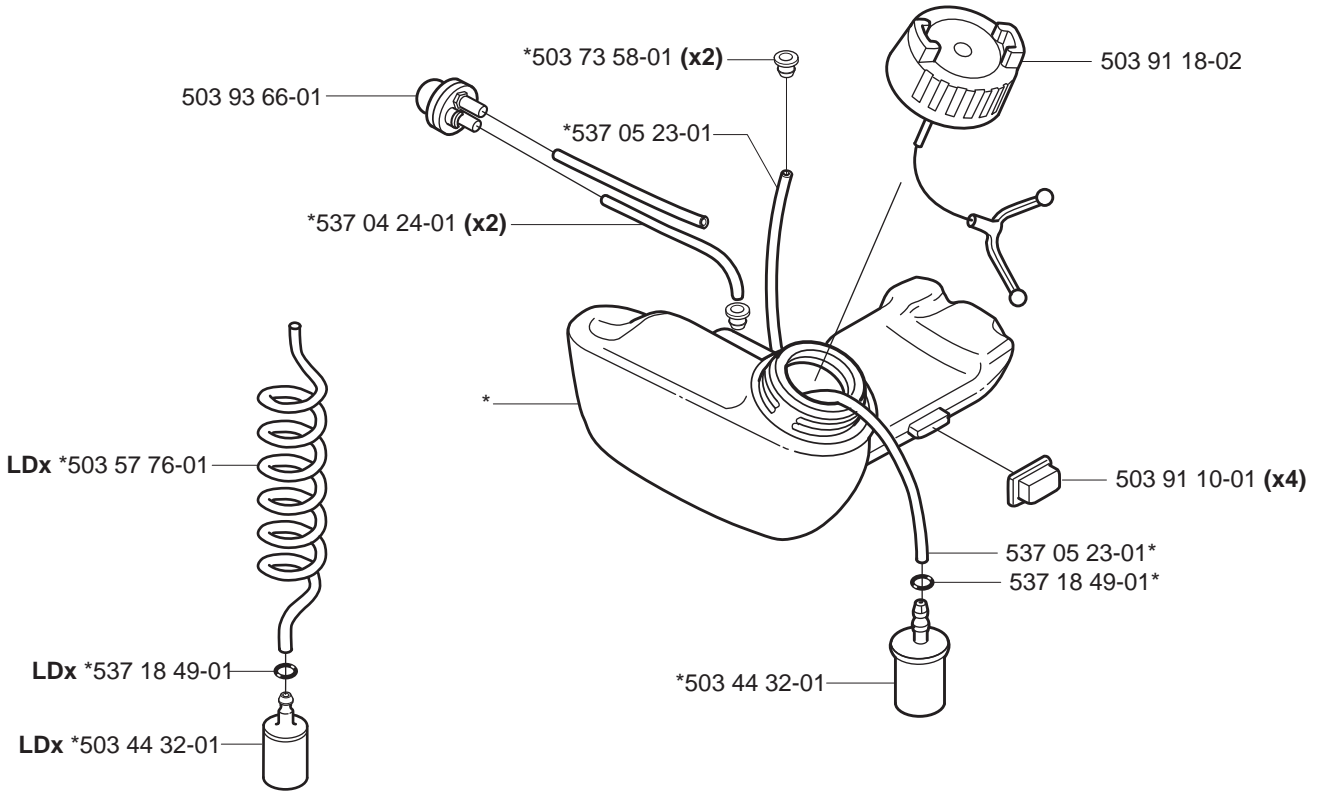


J 326C, L, Lx, LDx, RX, RJx



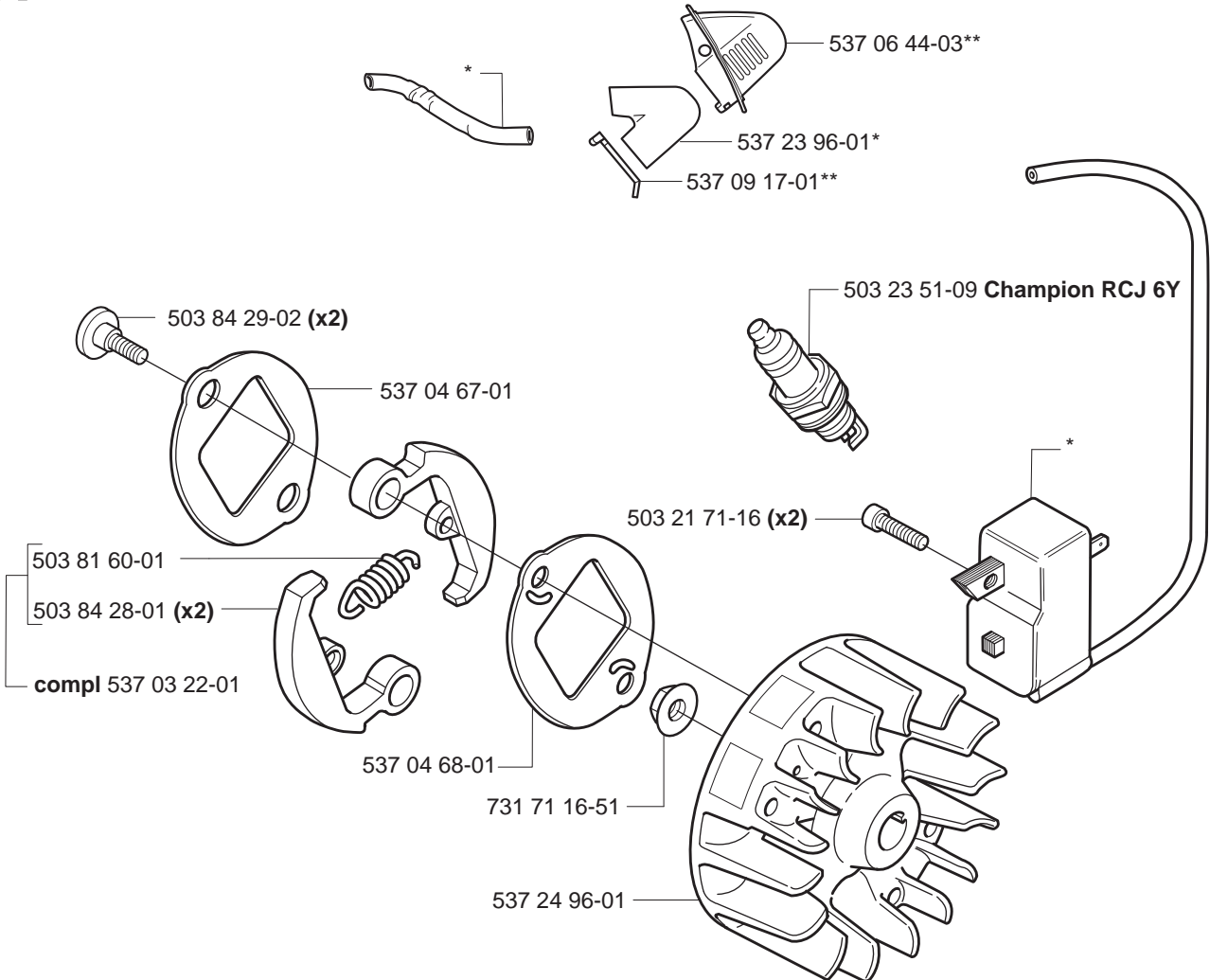
K**L******compl 503 87 33-02*****compl 503 85 28-01**

M *compl 537 06 86-01 C, L, Lx, R, RJx, Rx
 *compl 537 06 86-02 LDx



N *compl 537 04 23-01

**compl 537 06 33-02 (326)



P

*compl 537 08 51-01

326 **537 22 18-01

326 **compl 537 22 17-01 Cat.

326 **503 20 29-56 (x3)

537 01 41-01

** 326

*

323 ***compl 537 03 94-01 Cat.

323 ***503 20 29-50 (x3)

503 28 90-43 (x2)

503 20 07-35* (x4)

503 71 22-01

323 ***

737 44 08-00 (x2)

537 08 46-71*

323 ***503 87 17-01

Q

*compl 537 08 52-01

**compl 537 04 12-03

***compl 537 30 96-01

503 21 68-25*** (x2)

*537 06 69-01

503 21 68-20**

*537 08 85-01

537 07 36-01

537 06 68-01*

*503 21 68-20 (x3)

*503 21 71-16

503 21 68-20* (x5)

503 87 26-01

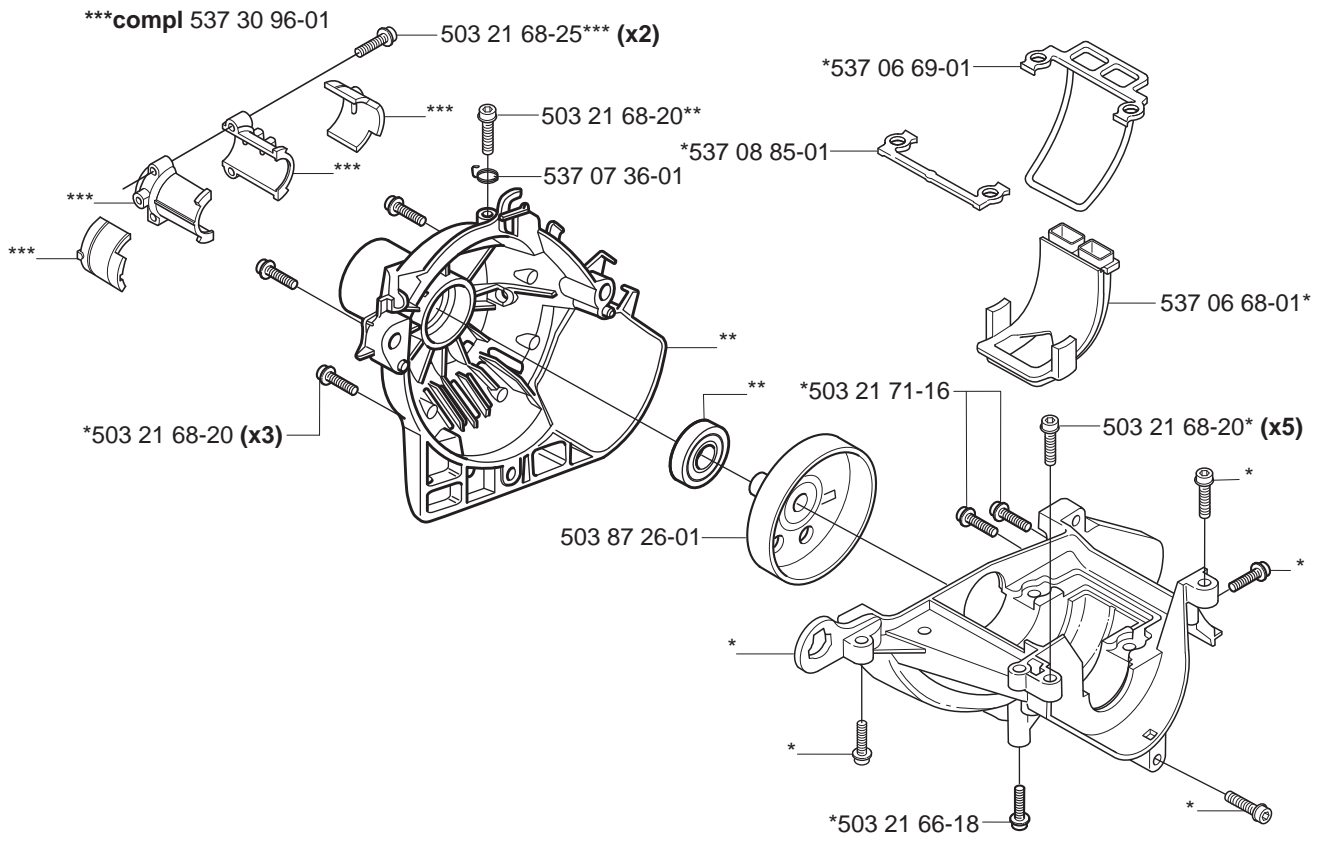
*

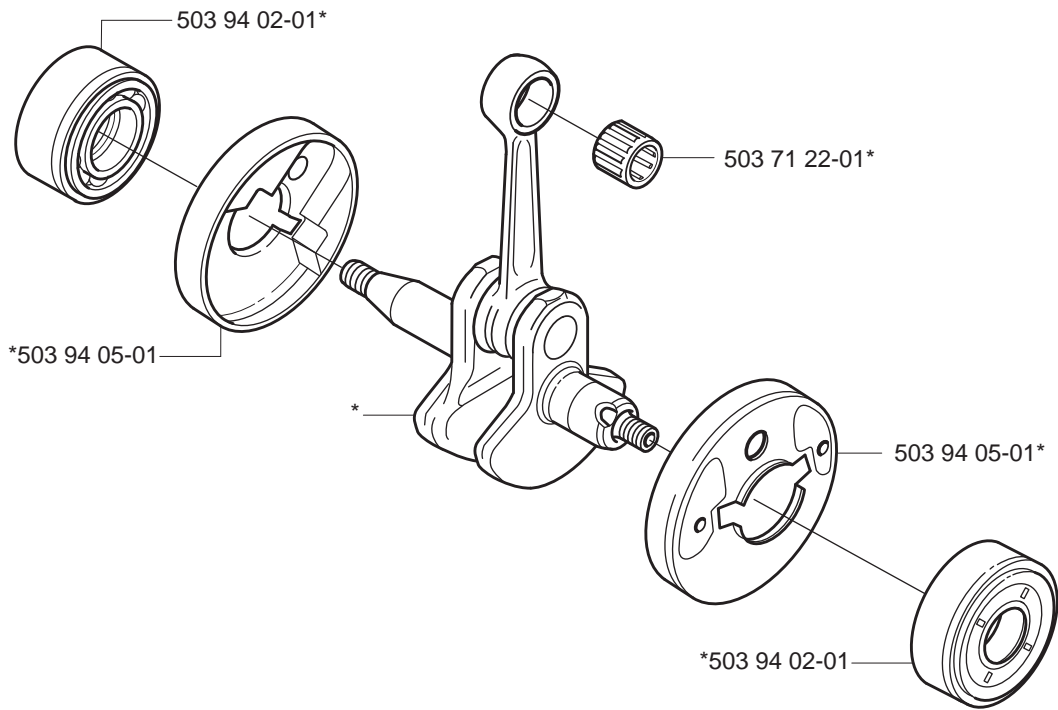
*

*503 21 66-18

*

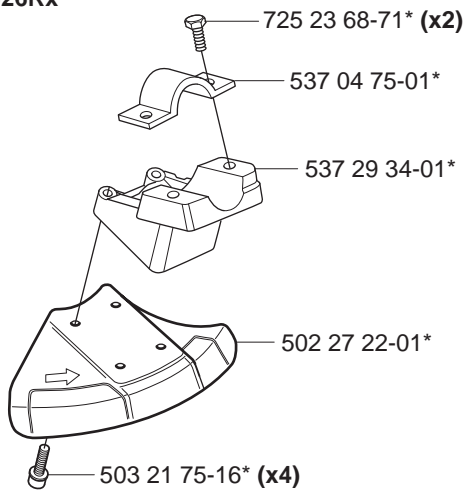
*



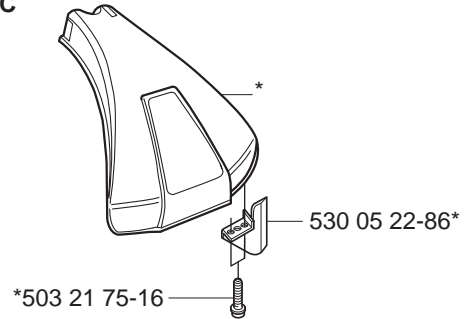
R***compl 503 85 24-74****S**

**Accessories
Zubehöre
Accessoires
Accesorios
Tillbehör**

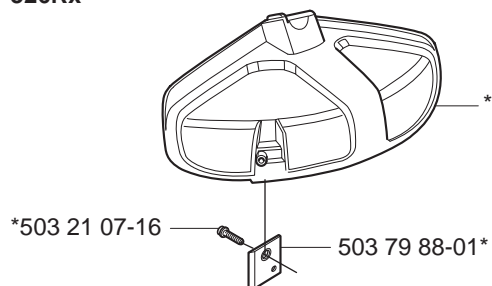
***compl 537 29 95-01
323R
326Rx**



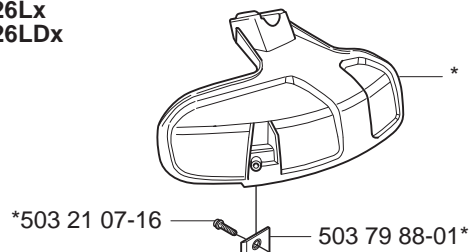
***compl 537 02 61-01
326C**



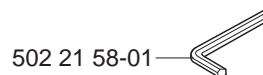
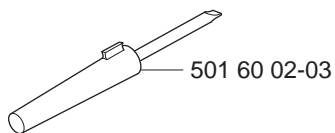
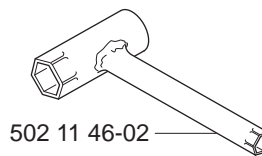
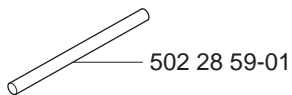
***compl 503 93 42-02
323R
326Rx**



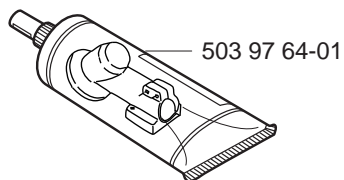
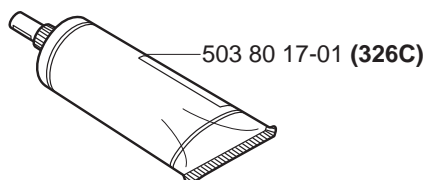
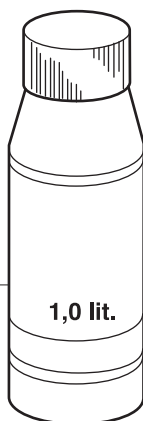
***compl 503 97 71-01
323L
326L
326Lx
326LDx**



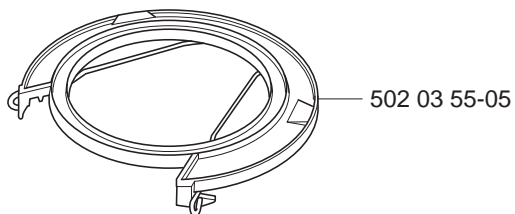
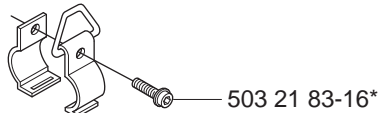
S Accessories
 Zubehöre
 Accessoires
 Acessorios
 Tillbehör



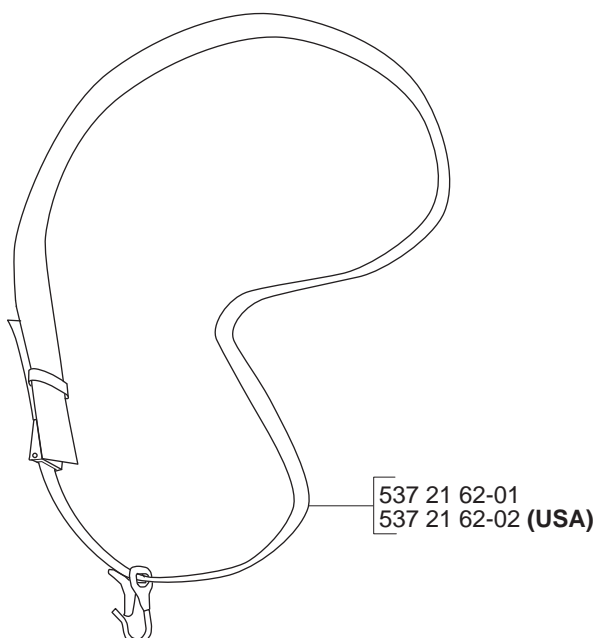
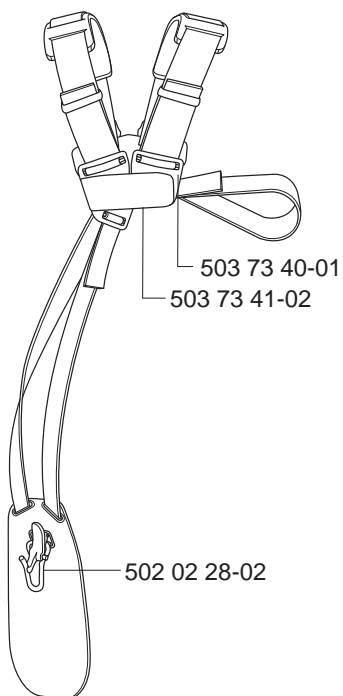
Olja Luftfilter
Oil Airfilter
Öl Luftfilter
Aceite Filtro Air
Huile Filtera aire



*compl 501 78 33-01



compl 537 21 63-01
 compl 537 21 63-02 (USA)

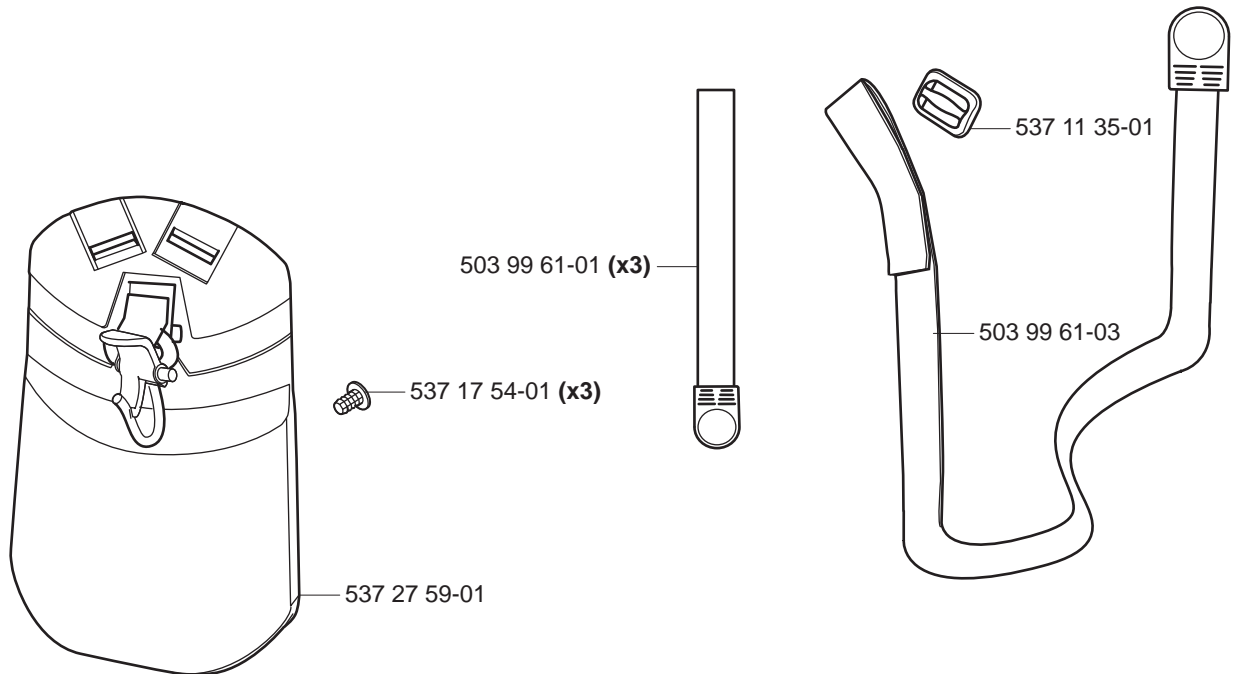
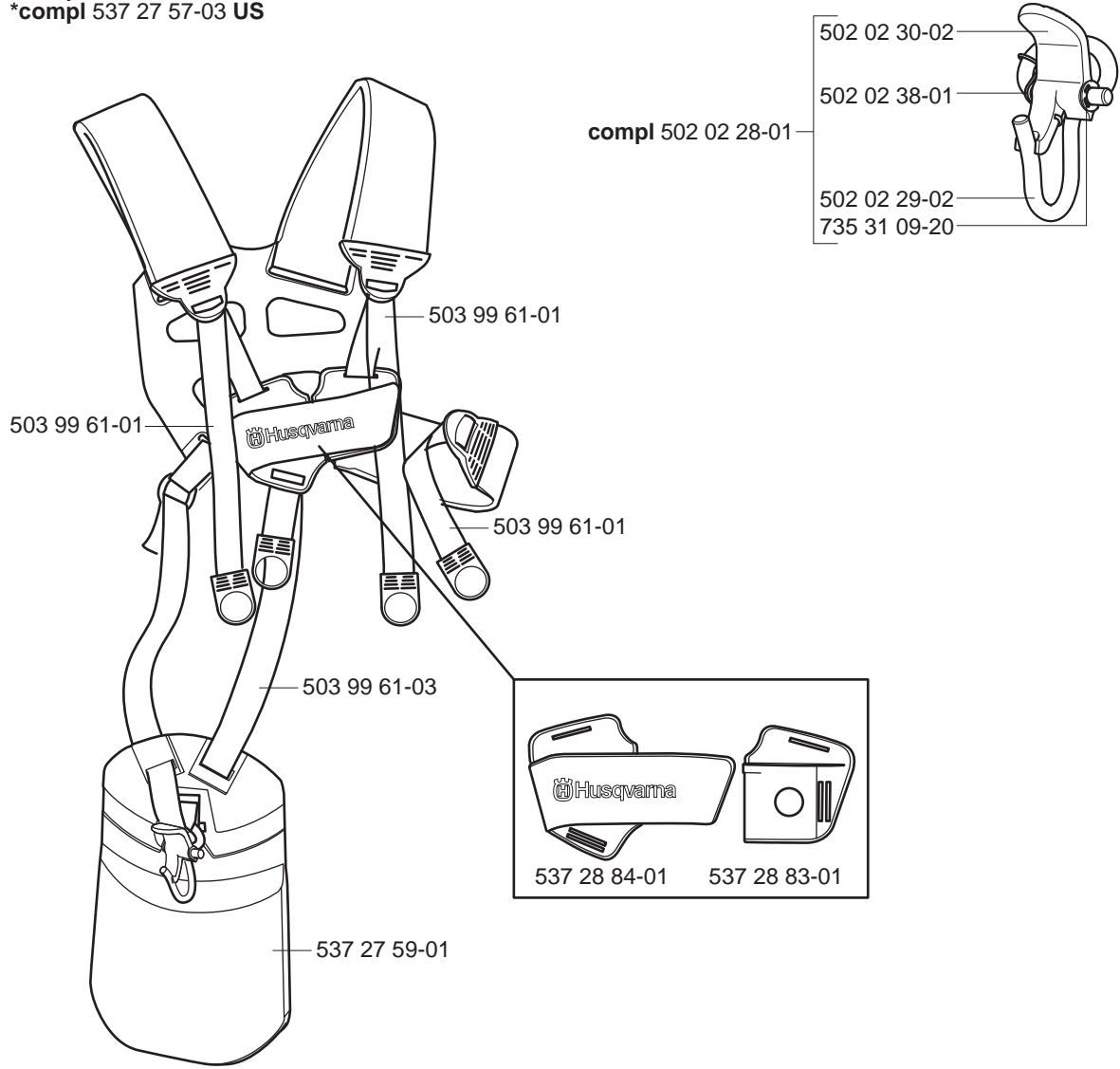


S

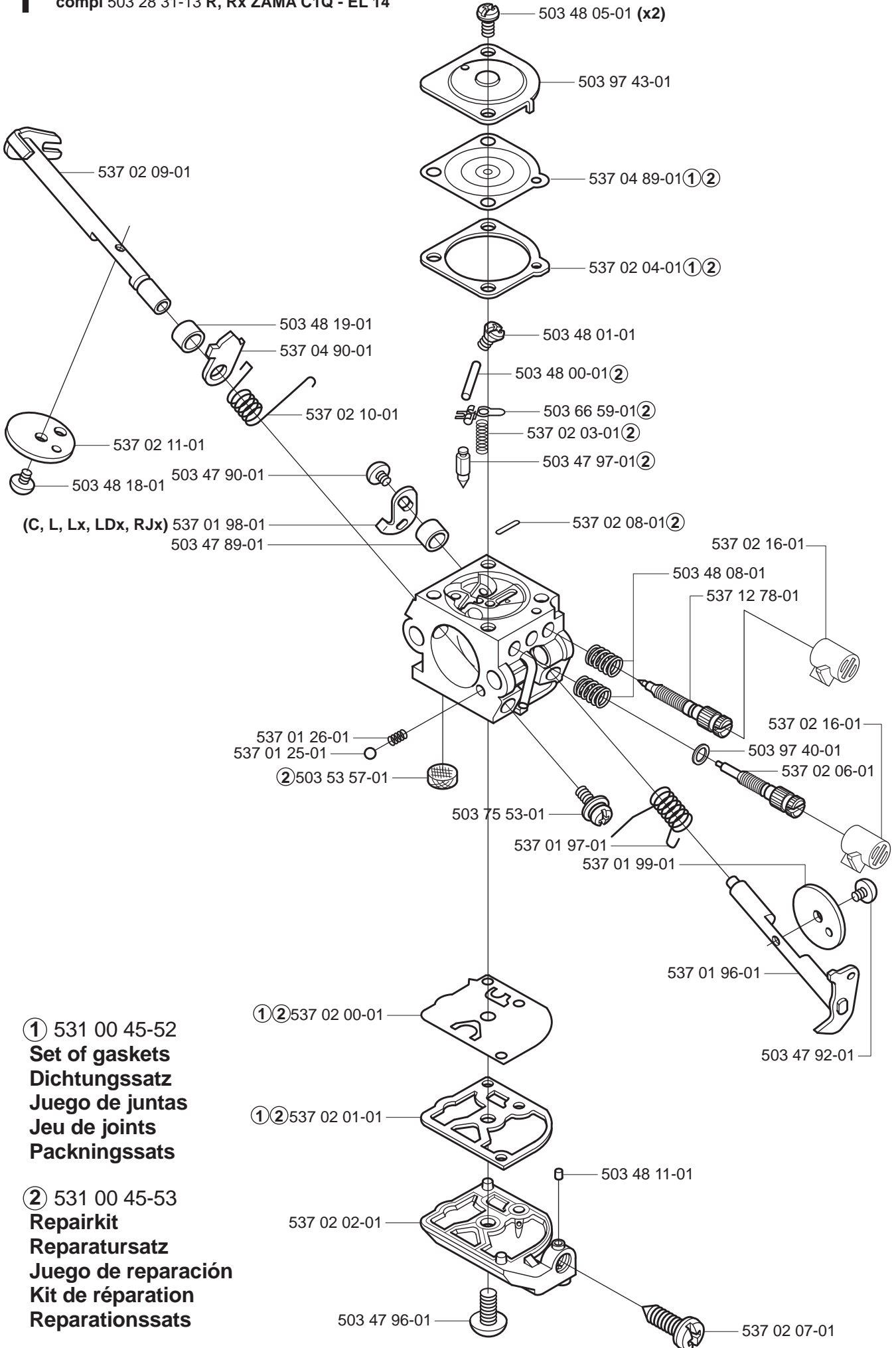
Duo Balance

*compl 537 27 57-01

*compl 537 27 57-03 US



T compl 503 28 31-11 C, L, Lx, LDx, RJx ZAMA C1Q - EL 12
 compl 503 28 31-13 R, Rx ZAMA C1Q - EL 14



① 531 00 45-52
Set of gaskets
Dichtungssatz
Juego de juntas
Jeu de joints
Packningssatz

② 531 00 45-53
Repairkit
Reparatursatz
Juego de reparación
Kit de réparation
Reparationsatz