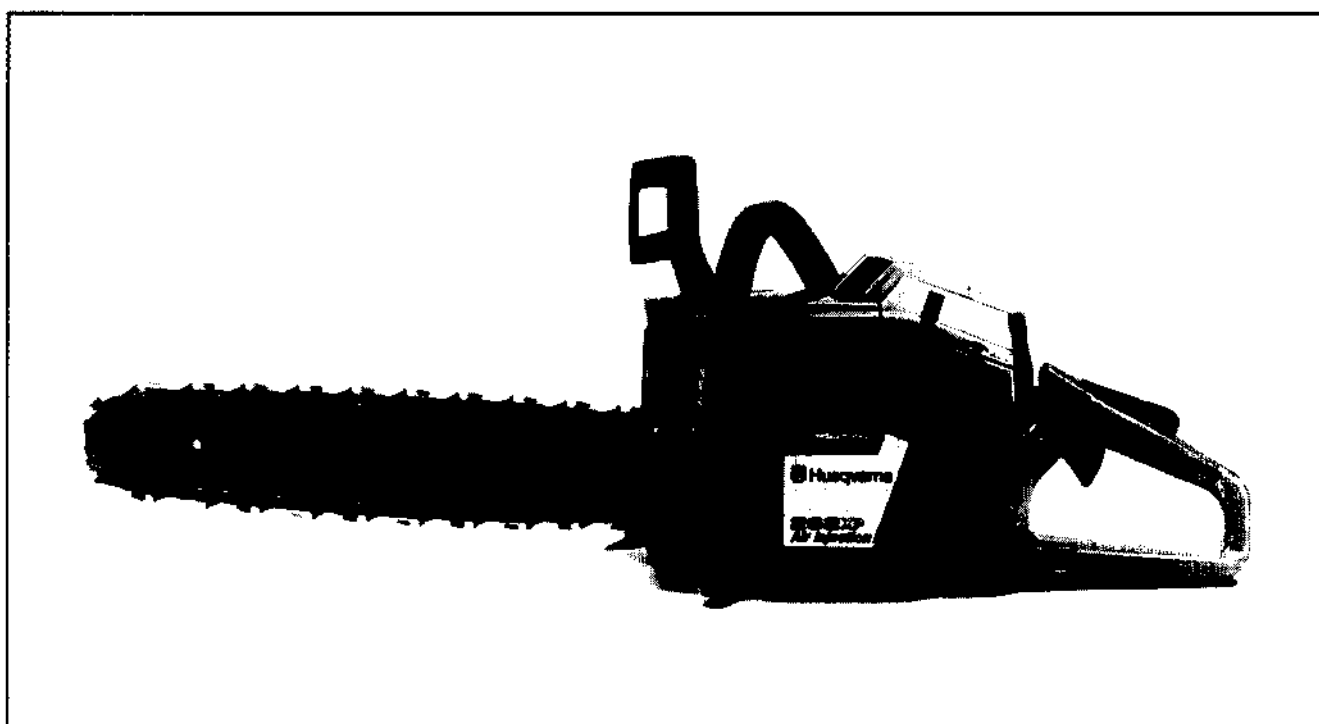


# 262



**1.1992**

**Spare parts**

**Ersatzteile**

**Pièces détachées**

**Repuestos**

**Reservdelar**

MODEL NUMBER 262

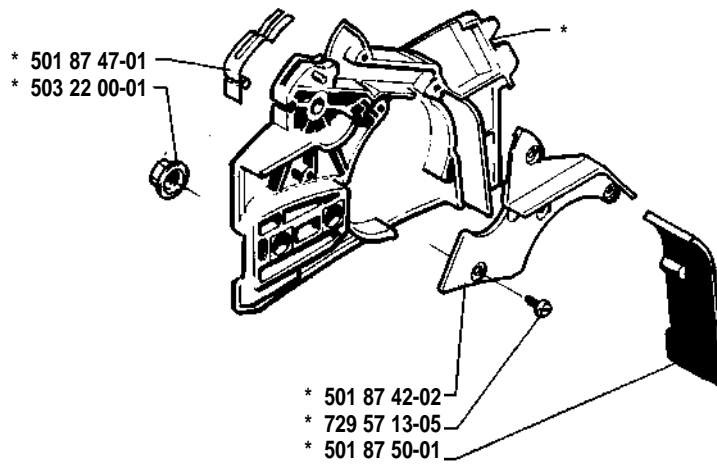
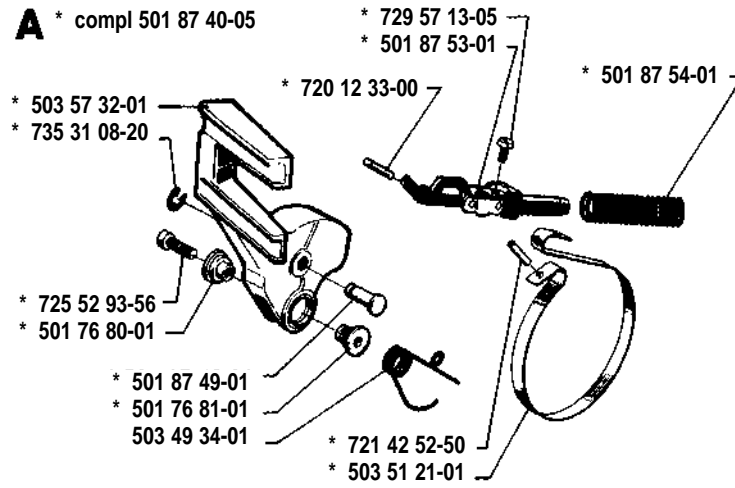
PARTNUMBER	SQUARE	NOTE	PARTNUMBER	SQUARE	NOTE	PARTNUMBER	SQUARE	NOTE	PARTNUMBER	SQUARE	NOTE
501 45 27-02	K		501 87 54-01	A		503 54 10-01	E	2 PCS	725 53 31-55	C	4 PCS
501 45 41-01	K		501 87 62-01	M		503 54 11-71	C		725 53 32-55	K	
501 45 74-02	J		501 87 65-01	J		503 54 16-01	L		725 53 37-55	K	
501 46 84-01	M		501 87 68-05	D		503 54 17-01	L		725 53 41-55	K,K	
501 46 85-01	M		501 87 79-01	M		503 54 21-01	B		729 22 21-01	M,J	
501 46 87-01	M		501 87 80-01	M		503 54 23-01	B		729 53 42-05	E	
501 48 54-02	H		501 87 90-01	M		503 54 26-01	K		729 57 13-05	A,A	5 PCS
501 48 56-01	H		501 87 95-01	K		503 54 31-01	D		734 11 24-01	H	
501 49 24-03	H (G)		501 91 14-01	N		503 54 32-01	D		734 48 51-01	H	
501 49 27-03	H		503 08 20-01	M		503 54 34-01	B	2 PCS	735 31 08-20	A	
501 49 76-01	K	3 PCS	503 08 52-01	H		503 54 35-01	B	4 PCS	737 43 12-00	C	
501 51 72-01	K		503 08 54-01	N		503 54 37-01	K		738 22 02-25	G	2 PCS
501 54 41-02	J		503 08 97-02	H		503 54 38-02	K	N	740 42 06-00	K	2PCS
501 59 74-04	H		503 09 80-02	H (G)		503 54 39-01	L		740 44 05-00	K	
501 59 80-02	J		503 10 87-01	M	4 PCS	503 54 40-03	K		740 48 27-02	K	
501 60 02-02	N		503 12 82-01	H		503 54 41-01	D				
501 61 58-01	J		503 12 82-02	H (G)		503 54 42-01	D				
501 62 43-01	J		503 16 66-01	J		503 54 43-01	D	1			
501 62 93-05	H (G)	2 PCS	503 16 73-01	J		503 54 44-01	D	1			
501 63 02-02	L		503 17 63-01	M		503 54 45-01	L				
501 63 06-01	L		503 17 89-02	L		503 54 54-01	F				
501 63 44-03	H		503 20 00-03	F		503 54 59-01	C				
501 63 48-01	H	2 PCS	503 20 00-39	F		503 54 61-02	E				
501 66 49-01	J		503 20 02-12	D		503 54 62-01		1 cpl			
501 66 61-01	M		503 20 25-20	K		503 54 65-01	M				
501 66 62-01	M		503 20 40-06	K	2 PCS	503 54 67-01	M				
501 66 69-01	M		503 20 55-06	F	2 PCS	503 55 55-01	F				
501 66 70-01	M	2	503 20 64-12	F,D	2 PCS	503 55 55-02	F				
501 66 72-01	M		503 20 64-16	L	4 PCS	503 55 70-01	H (G)	N			
501 66 73-01	M	2	503 20 67-28	B	3 PCS	503 55 77-01	H (G)	N			
501 66 77-01	M		503 21 30-08	L	4 PCS	503 55 78-01	J				
501 66 78-01	M		503 21 32-16	L		503 56 23-01	M				
501 66 83-01	M		503 21 33-16	E,E	4 PCS	503 56 24-01	M				
501 66 84-01	M	N	503 21 33-25	E		503 56 34-01	M				
501 67 32-01	H	2 PCS	503 21 40-06	H		503 57 32-01	A				
501 67 33-02	N		503 22 00-01	A	2 PCS	503 57 71-01	J				
501 68 68-01	K	N	503 22 10-11	H		503 57 74-01	J				
501 68 89-01	N		503 23 00-04	J		503 60 78-01	M				
501 69 17-01	N		503 23 00-35	L		503 61 48-01	M				
501 76 56-02	K		503 23 00-42	H	2 PCS	503 61 98-03	L				
501 76 80-01	A		503 23 51-08	C		503 61 98-04	L				
501 76 81-01	A		503 23 72-02	H		503 63 55-01	H	N			
501 76 83-02	E		503 25 34-01	J		503 63 82-01	M				
501 79 50-01	K		503 26 06-01	K	2 PCS	503 64 29-01	J				
501 79 51-02	H (G)		503 26 30-11	E		503 64 66-01	J				
501 81 92-01	K		503 28 16-05	D,M	N	503 64 66-02	J				
501 81 96-02	E		503 28 90-15	C		503 66 04-01	H (G)	N			
501 81 99-02	H	2 PCS	503 40 47-01	E	2 PCS	503 66 96-01	M				
501 83 29-01	M		503 40 56-01	F		503 66 98-01	M				
501 83 93-02	K		503 44 32-01	E		503 66 99-01	M				
501 83 98-01	H		503 44 72-01	B		504 52 30-02	J				
501 86 00-02	K		503 44 72-02	B		505 22 09-37	K	2 PCS			
501 86 18-01	C,G		503 44 72-03	B		505 30 36-94	J				
501 86 19-02	C	1	503 45 39-01	J		505 30 51-25	L				
501 86 24-01	D		503 49 34-01	A		505 31 67-17	M				
501 86 41-01	J		503 49 74-01	E		505 52 01-25	M				
501 86 69-01	J		503 49 98-01	D	2 PCS	506 18 19-71	G				
501 86 90-02	D		503 50 17-02	E		720 12 33-00	A				
501 86 94-01	K		503 50 86-02	F		720 12 40-20	E				
501 87 05-01	K		503 50 93-02	E		720 13 07-10	K				
501 87 21-01	J		503 50 94-01	E		720 13 14-20	E				
501 87 23-01	J		503 51 21-01	A		721 42 32-50	K				
501 87 24-01	K		503 51 48-01	E		721 42 52-50	A				
501 87 31-01	E		503 52 12-02	J		724 32 24-05	H (G)				
501 87 40-05	A		503 52 41-01	K		725 52 91-56	H	3 PCS			
501 87 42-02	A		503 53 11-71	C		725 52 92-06	J	4 PCS			
501 87 47-01	A		503 53 33-03	E		725 52 93-56	A				
501 87 49-01	A		503 54 01-03	E		725 52 94-55	H				
501 87 50-01	A		503 54 07-01	E		725 53 23-05	K	2 PCS			
501 87 53-01	A		503 54 09-01	K		725 53 25-55	K	N			

1 = 5035462-01

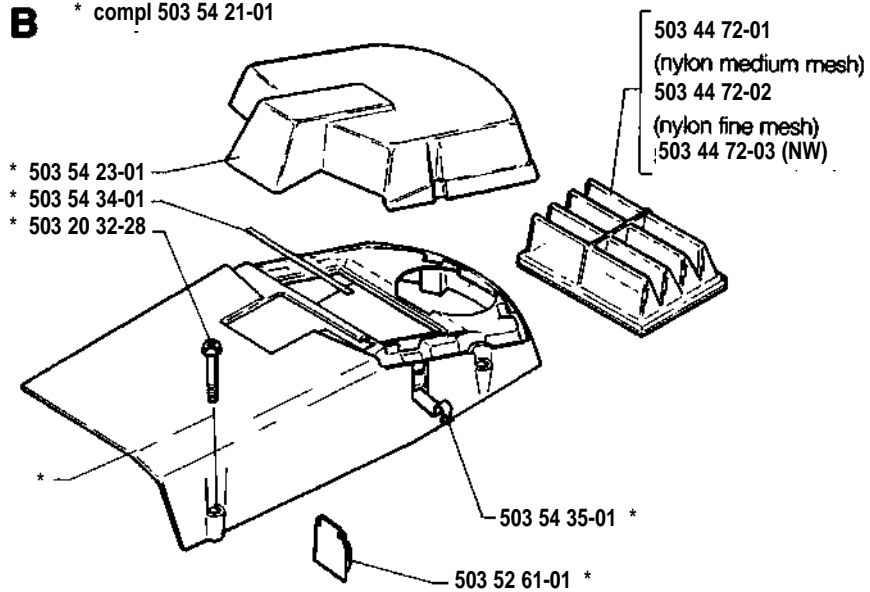
Set of gasket  
Dichtungssatz  
Jeu de joints  
Juego de juntas  
Packningssats

(G) = Generator  
X pcs = The sum of pieces on the saw  
N = New part

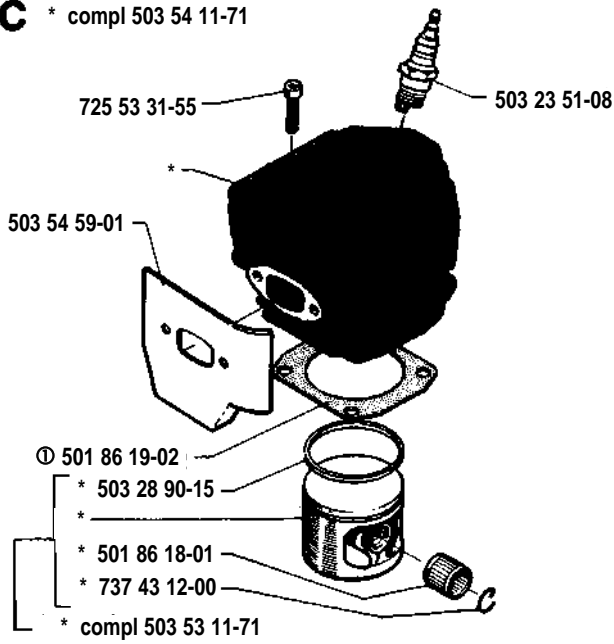
**A** \* compl 501 87 40-05



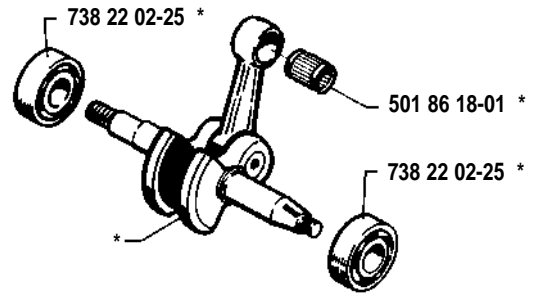
**B** \* compl 503 54 21-01



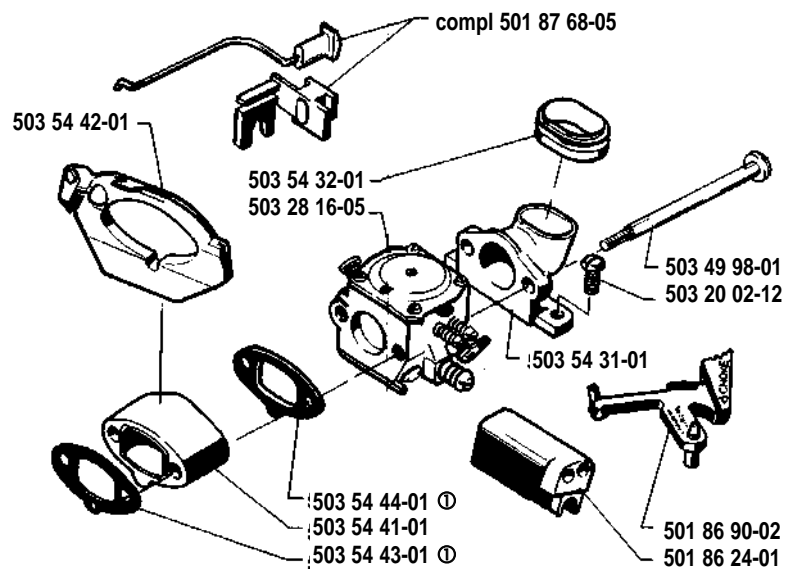
**C** \* compl 503 54 11-71



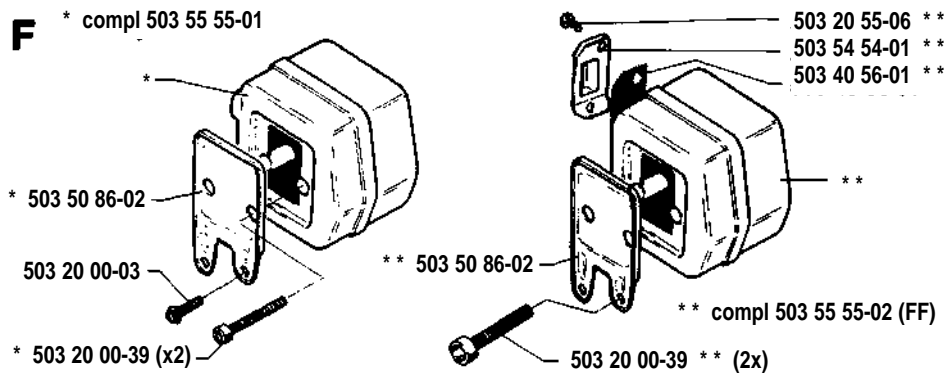
**G** \* compl 506 18 19-71



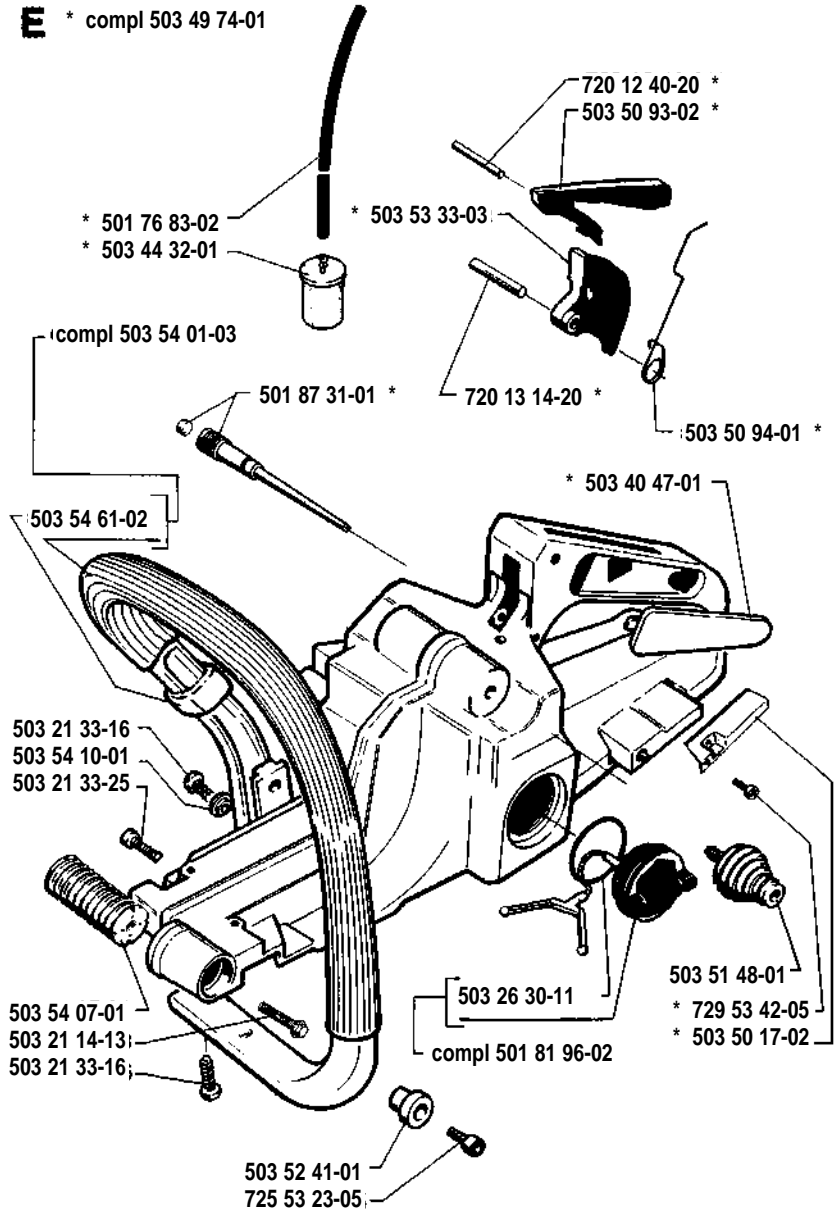
**D**



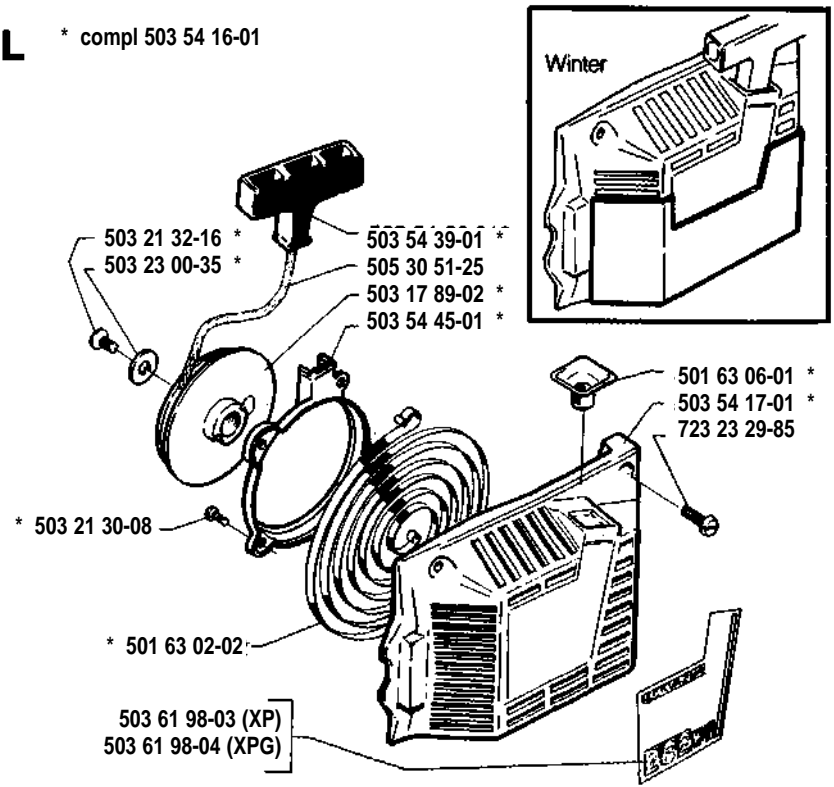
**F** \* compl 503 55 55-01



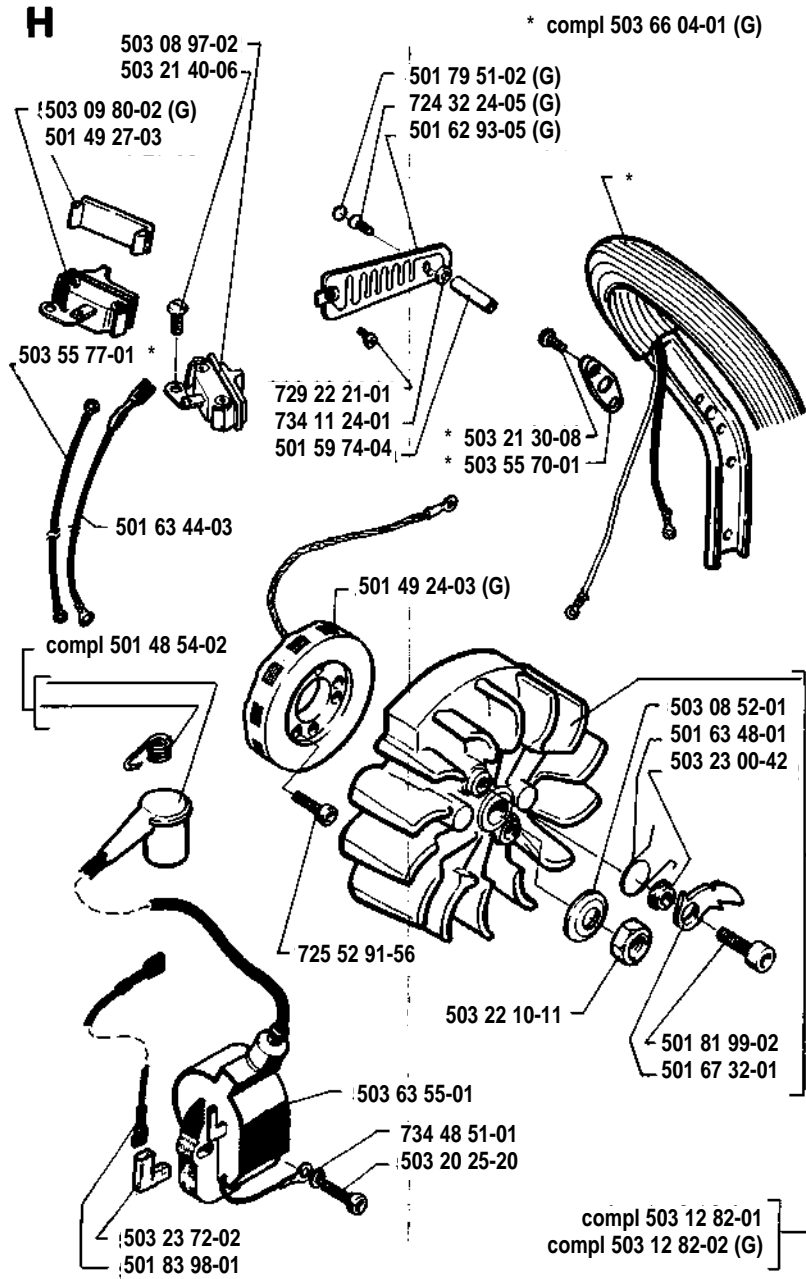
**E** \* compl 503 49 74-01



**L** \* compl 503 54 16-01

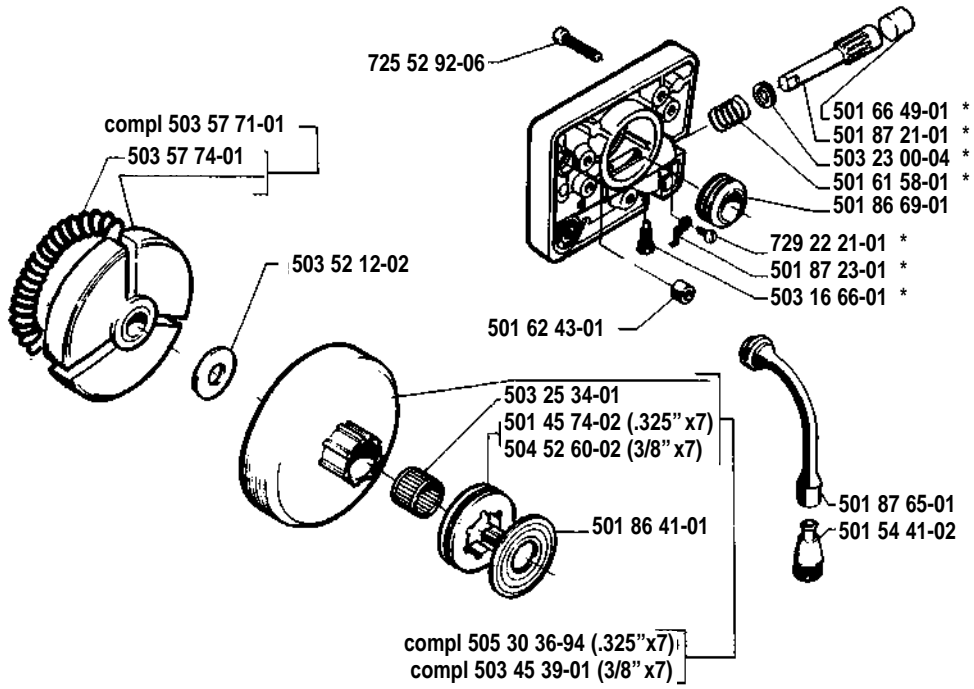


**H**



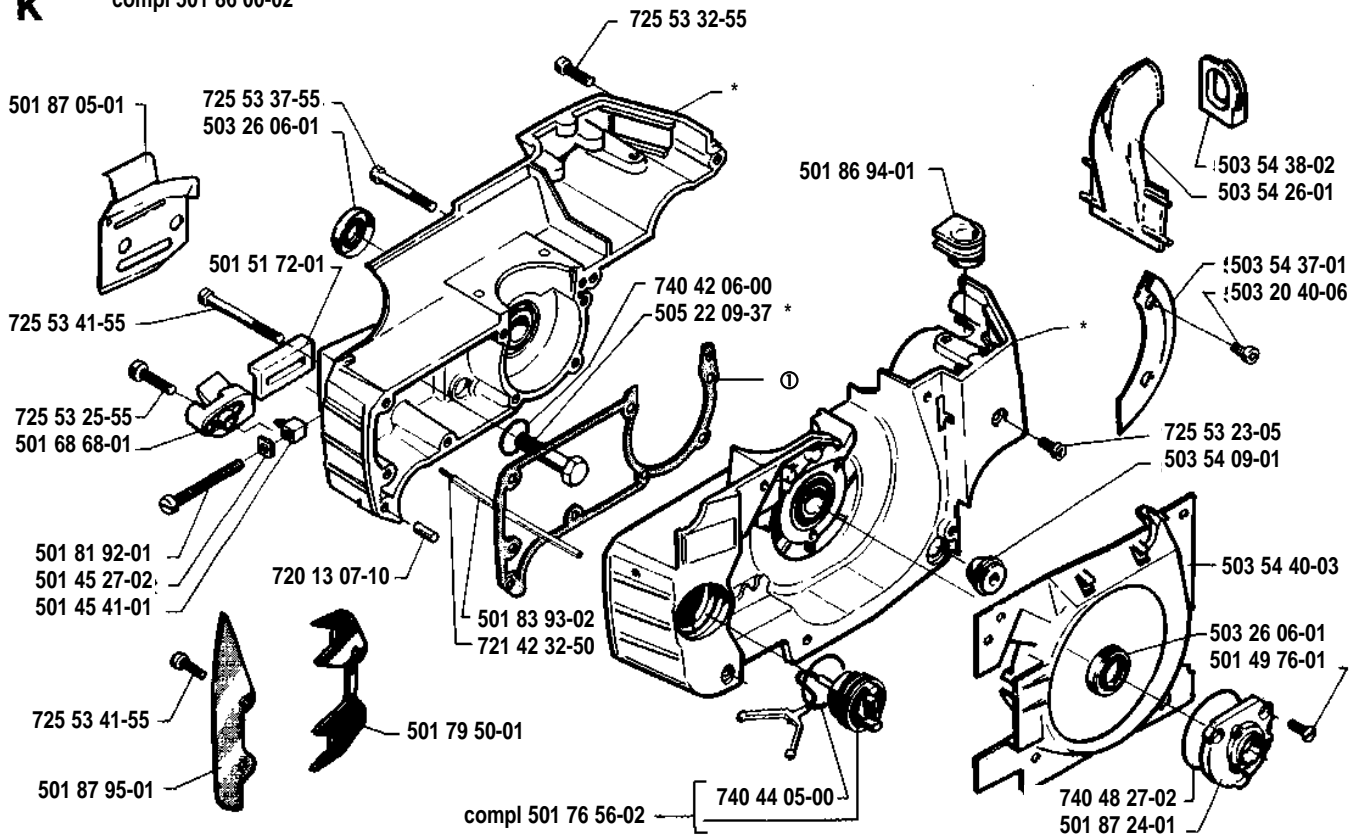
**J**

\* compl 503 16 73-01



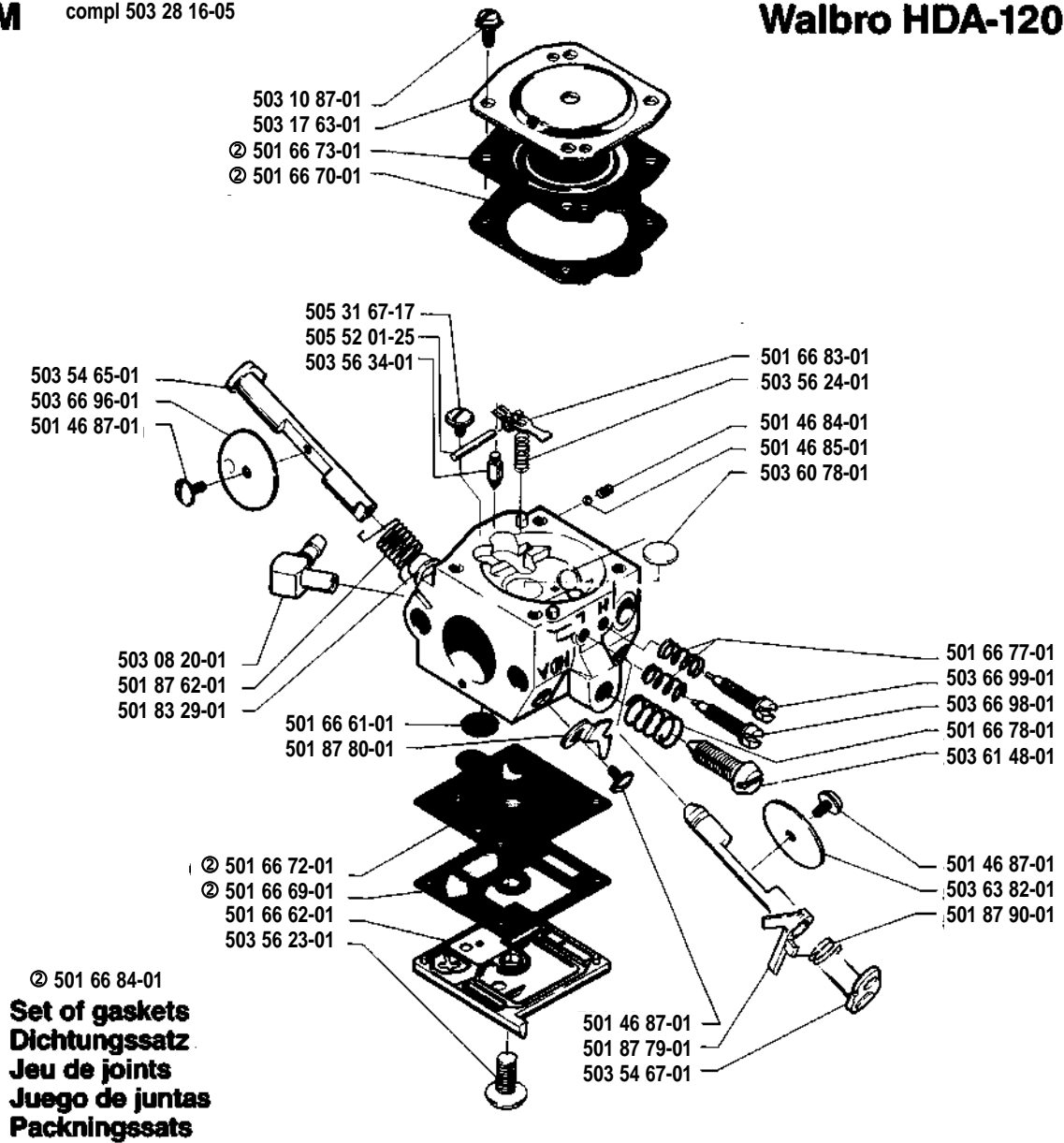
**K**

\* compl 501 86 00-02



**M** compl 503 28 16-05

# Walbro HDA-120



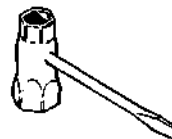
## N

**Accessories**  
**Zubehöre**  
**Accessories**  
**Accesorios**  
**Tillbehör**

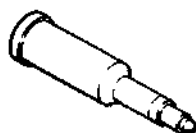


503 63 10-01

\* compl 501 67 33-02



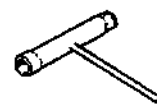
\* 501 69 17-01



\* 501 91 14-01



\* 503 08 54-01



\* 501 68 89-01