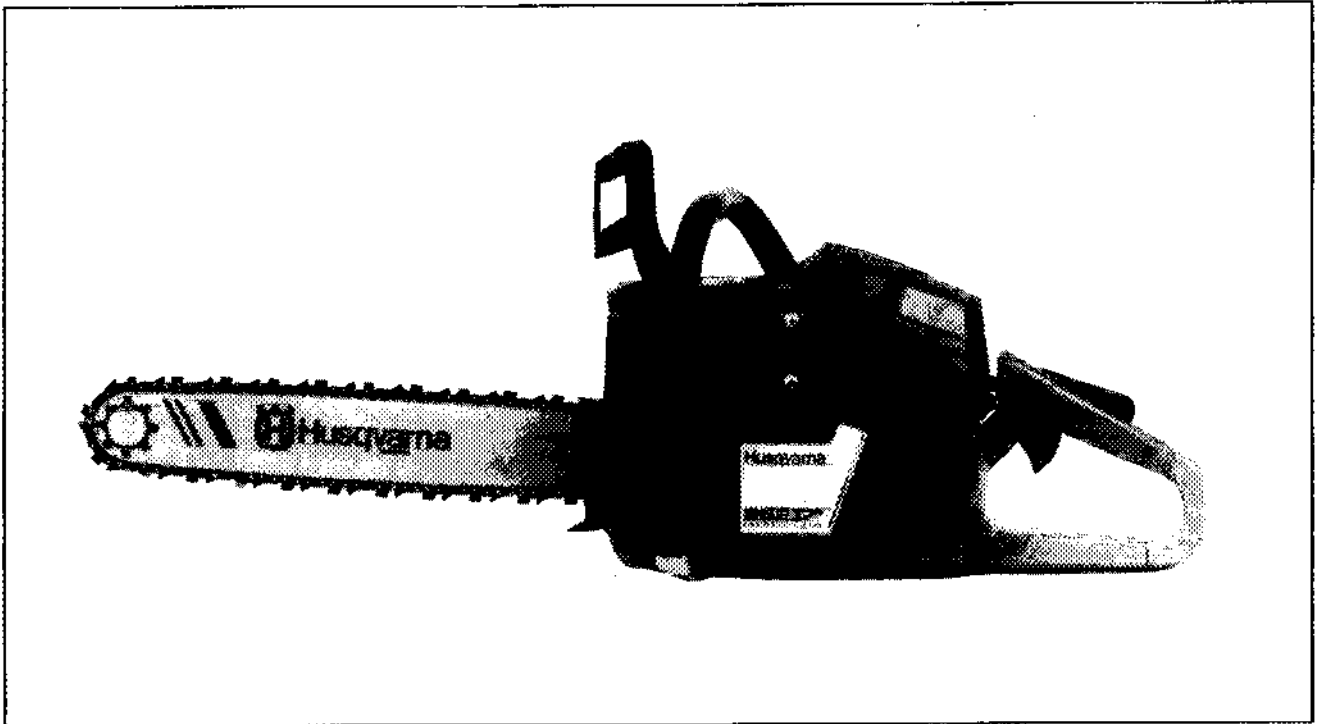


# 262



**1.1990**

**Spare parts**

**Ersatzteile**

**Pièces détachées**

**Repuestos**

**Reservdelar**

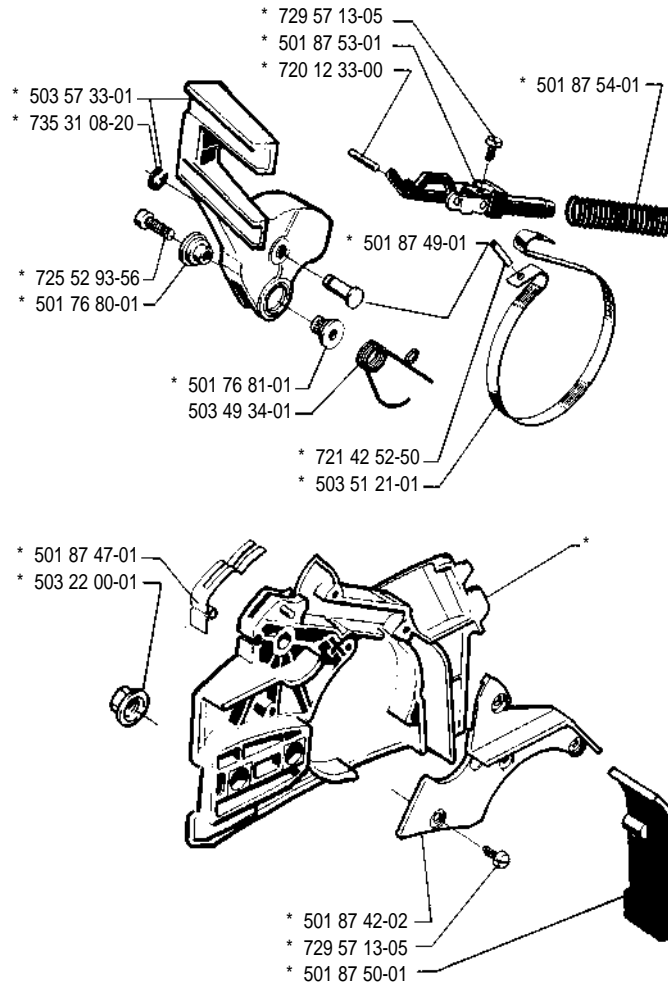
MODEL NUMBER 262

PARTNUMBER	SQUARE	NOTE	PARTNUMBER	SQUARE	NOTE	PARTNUMBER	SQUARE	NOTE	PARTNUMBER	SQUARE	NOTE
501 05 64-01	C	2 PCS	501 87 65-01	J		503 54 09-01	K		725 53 31-55	C	4 PCS
501 45 27-02	K		501 87 68-03	D		503 54 10-01	E	2 PCS	725 53 32-55	K	
501 45 41-01	K		501 87 79-01	M		503 54 11-71	C		725 53 37-55	K	
501 45 74-02	J		501 87 80-01	M		503 54 16-01	L		725 53 41-55	K,K	
501 46 84-01	M		501 87 90-01	M		503 54 17-01	L		725 53 68-55	F	2 PCS
501 46 85-01	M		501 87 95-01	K		503 54 21-01	B		729 22 21-01	H,J	
501 46 87-01	M		501 91 14-01	N		503 54 23-01	B		729 53 42-05	E	
501 48 54-02	H		502 25 47-01	M	②	503 54 26-01	K		729 57 13-05	A,A	5 PCS
501 48 56-01	H		503 08 20-01	M		503 54 31-01	D		734 11 24-01	H	
501 49 24-03	H (G)		503 08 52-01	H		503 54 32-01	D		734 48 51-01	H	
501 49 27-03	H		503 08 54-01	M		503 54 34-01	B	2 PCS	735 31 08-20	A	
501 49 76-01	K	3 PCS	503 08 97-02	H		503 54 35-01	B	4 PCS	738 22 02-25	G	2 PCS
501 51 72-01	K		503 09 80-02	H (G)		503 54 37-01	K		740 42 06-00	K	2 PCS
501 54 41-02	J		503 10 87-01	M	4 PCS	503 54 38-01	K		740 44 05-00	K	
501 59 74-04	H		503 12 82-01	H		503 54 39-01	L		740 48 27-02	K	
501 60 02-02	N		503 12 82-02	H (G)		503 54 40-01	K				
501 61 58-01	J		503 16 66-01	J		503 54 41-01	D				
501 62 43-01	J		503 16 73-01	J		503 54 42-01	D				
501 62 93-05	H (G)	2 PCS	503 17 63-01	M		503 54 43-01	D	①			
501 63 02-02	L		503 17 89-02	L		503 54 44-01	D	①			
501 63 06-01	L		503 20 40-06	K	2 PCS	503 54 45-01	L				
501 63 44-03	H		503 20 55-06	F	2 PCS	503 54 46-01	L				
501 63 48-01	H	2 PCS	503 20 55-08	F	4 PCS	503 54 46-02	L				
501 66 49-01	J		503 20 64-12	F,D	4 PCS	503 54 46-03	L				
501 66 61-01	M		503 20 64-16	L	4 PCS	503 54 46-04	L				
501 66 62-01	M		503 20 67-28	B	3 PCS	503 54 54-01	F				
501 66 70-01	M	②	503 21 30-08	L	4 PCS	503 54 57-01	K				
501 66 73-01	M	②	503 21 32-16	L		503 54 59-01	C				
501 66 77-01	M		503 21 33-16	E,E	4 PCS	503 54 61-02	E				
501 66 78-01	M		503 21 33-25	E		503 54 62-01		① cp1			
501 66 83-01	M		503 21 34-25	E,K	2 PCS	503 54 65-01	M				
501 67 32-01	H	2 PCS	503 21 40-06	H		503 54 66-01	M				
501 68 89-01	N		503 22 00-01	A	2 PCS	503 54 67-01	M				
501 69 17-01	N		503 22 10-11	H		503 54 68-01	M				
501 76 56-02	K		503 23 00-04	J		503 54 69-01	M				
501 76 80-01	A		503 23 00-35	L		503 54 70-01	M	②			
501 76 81-01	A		503 23 00-42	H	2 PCS	503 54 73-01	M				
501 76 83-02	E		503 23 01-03	J		503 54 74-01	M				
501 79 50-01	K		503 23 51-08	C		503 54 76-01	M	② cp1			
501 79 51-02	H (G)		503 23 72-02	H		503 56 23-01	M				
501 81 22-01	K		503 25 34-01	J		503 56 24-01	M				
501 81 47-04	E	2 PCS	503 26 06-01	K	2 PCS	503 56 34-01	M				
501 81 92-01	K		503 26 30-11	E		503 57 33-01	A				
501 81 96-02	E		503 28 10-18	D,M		503 57 71-01	J				
501 81 99-02	H	2 PCS	503 28 90-15	C		503 57 74-01	J				
501 83 29-01	M		503 40 47-01	E	2 PCS	503 60 78-01	M				
501 83 93-02	K		503 40 56-01	F		503 61 48-01	M				
501 83 98-05	H		503 44 32-01	E		504 52 30-02	J				
501 83 98-06	H (M)		503 44 72-01	B		505 22 09-37	K	2 PCS			
501 86 00-02	K		503 44 72-02	B		505 30 36-94	J				
501 86 18-01	C,G		503 44 72-03	B		505 30 51-25	L				
501 86 19-02	C	①	503 45 39-01	J		505 31 67-17	M				
501 86 24-01	D		503 49 34-01	A		505 52 01-25	M				
501 86 41-01	J		503 49 74-01	E		506 02 72-04	H				
501 86 69-01	J		503 49 74-02	E (M)		506 02 72-05	H (M)				
501 86 90-02	D		503 49 98-01	D	2 PCS	506 13 09-02	E (M)				
501 86 94-01	K		503 50 17-01	E (M)		506 18 19-71	G				
501 87 05-01	K		503 50 17-02	E		530 03 50-15	M				
501 87 21-01	J		503 50 78-01	F		720 12 33-00	A				
501 87 23-01	J		503 50 79-01	F		720 12 40-20	E				
501 87 24-01	K		503 50 86-01	F		720 13 07-10	K				
501 87 31-01	E		503 50 93-01	E		720 13 14-20	E				
501 87 40-05	A		503 50 94-01	E		721 42 32-50	K				
501 87 42-02	A		503 51 21-01	A		721 42 52-50	A				
501 87 47-01	A		503 53 11-71	C		723 52 24-05	H (G)				
501 87 49-01	A		503 53 33-01	E		725 52 91-56	H	3 PCS			
501 87 50-01	A		503 53 33-02	E (M)		725 52 92-06	J	4 PCS			
501 87 53-01	A		503 54 01-01	E		725 52 93-56	A				
501 87 54-01	A		503 54 01-02	H (G)		725 52 94-55	H				
501 87 62-01	M		503 54 07-01	E		725 53 23-05	K	2 PCS			

① = 503 54 62-01  
 Set of gasket  
 Dichtungssatz  
 Jeu de joints  
 Juego de juntas  
 Packningssatz

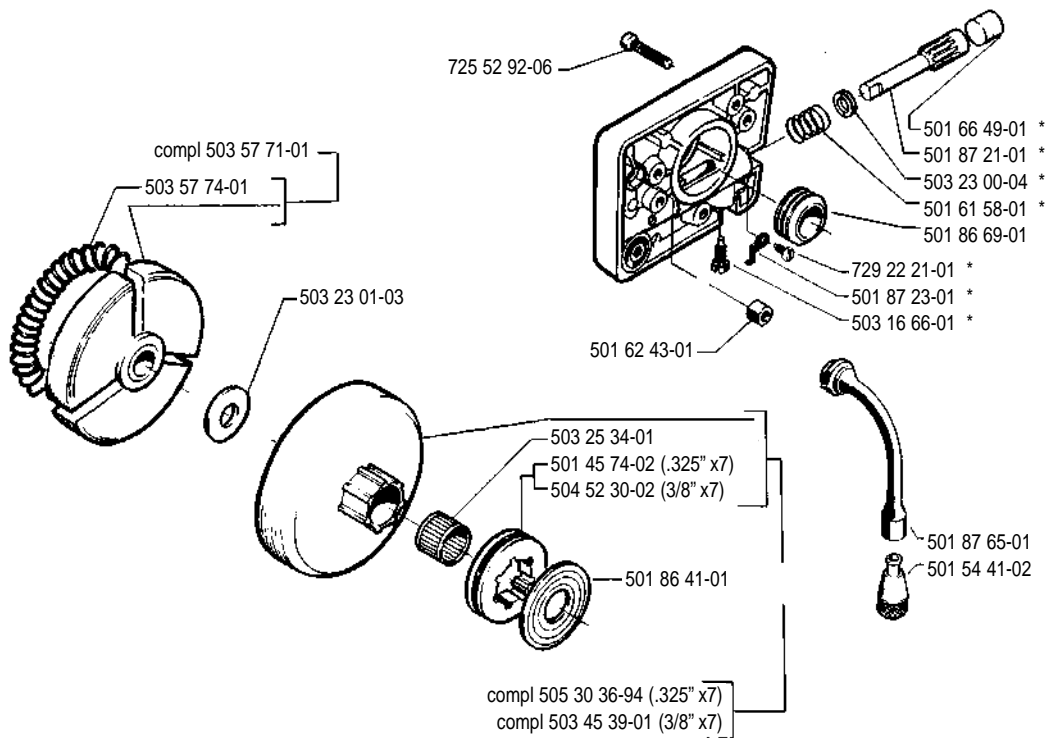
(M) = Microprocessor  
 (G) = Generator  
 X pcs = The sum of pieces on the saw

**A** \* compl 501 87 40-05



**J**

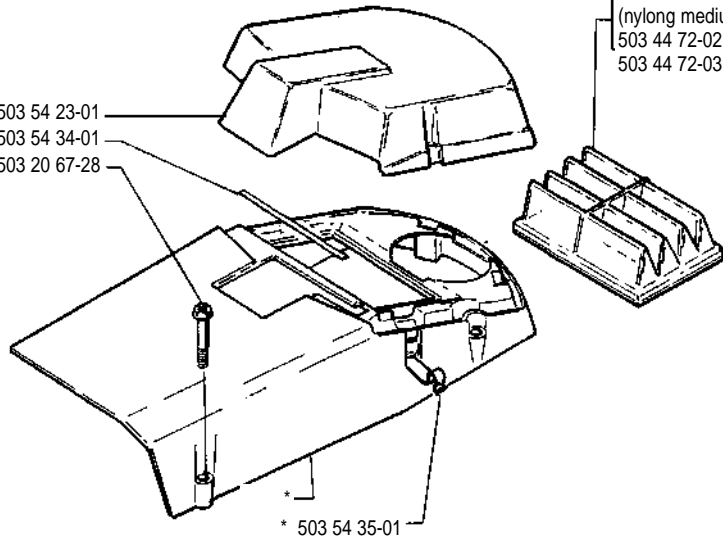
\* compl 503 16 73-01



**B**

\* compl 503 54 21-01

\* 503 54 23-01  
 \* 503 54 34-01  
 \* 503 20 67-28

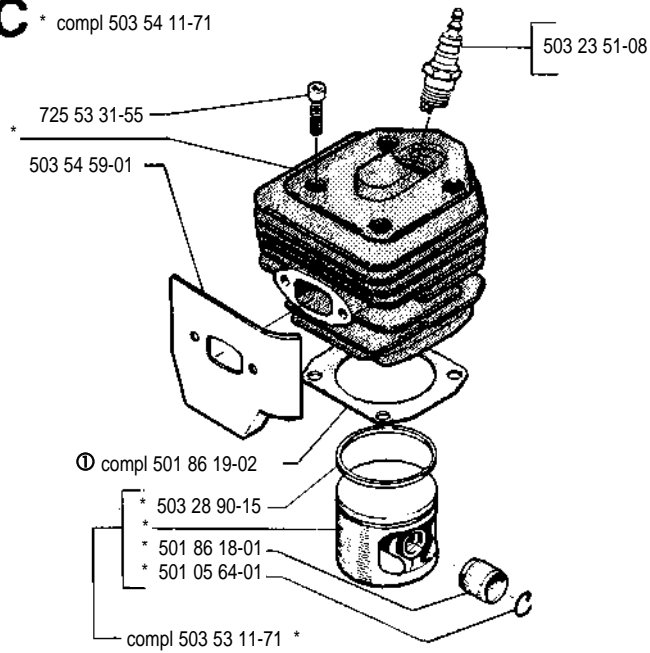


503 44 72-01  
 (nylon medium mesh)  
 503 44 72-02  
 (nylong medium mesh)  
 503 44 72-02  
 503 44 72-03 (NW)

\* 503 54 35-01

**C**

\* compl 503 54 11-71



503 23 51-08

725 53 31-55

503 54 59-01

① compl 501 86 19-02

\* 503 28 90-15

\* 501 86 18-01

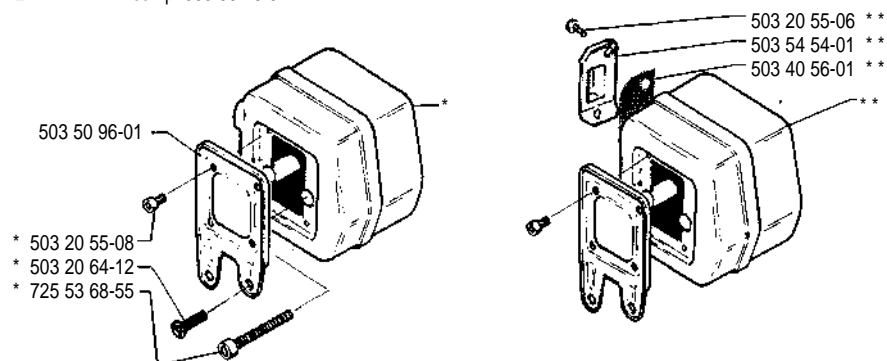
\* 501 05 64-01

compl 503 53 11-71 \*

**F**

\* compl 503 50 78-01

\*\* compl 503 50 79-01 (FF)



503 50 96-01

\* 503 20 55-08  
 \* 503 20 64-12  
 \* 725 53 68-55

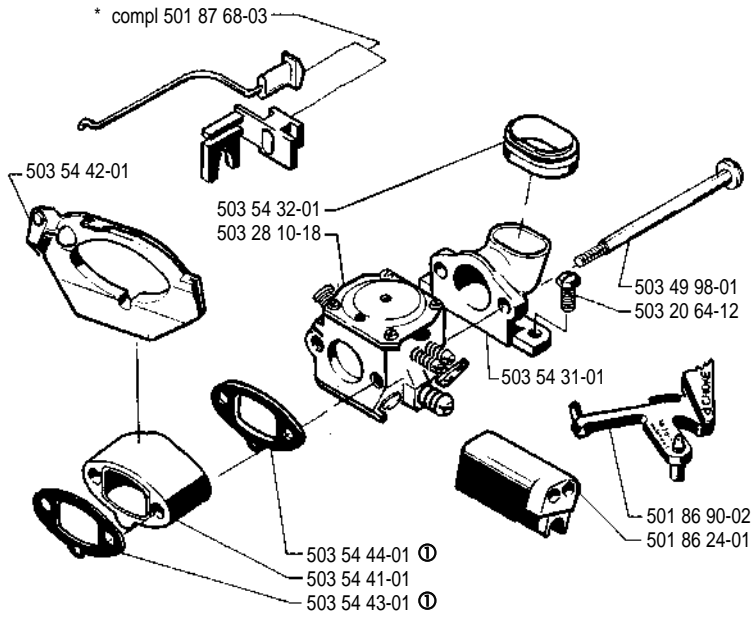
503 20 55-06 \*\*

503 54 54-01 \*\*

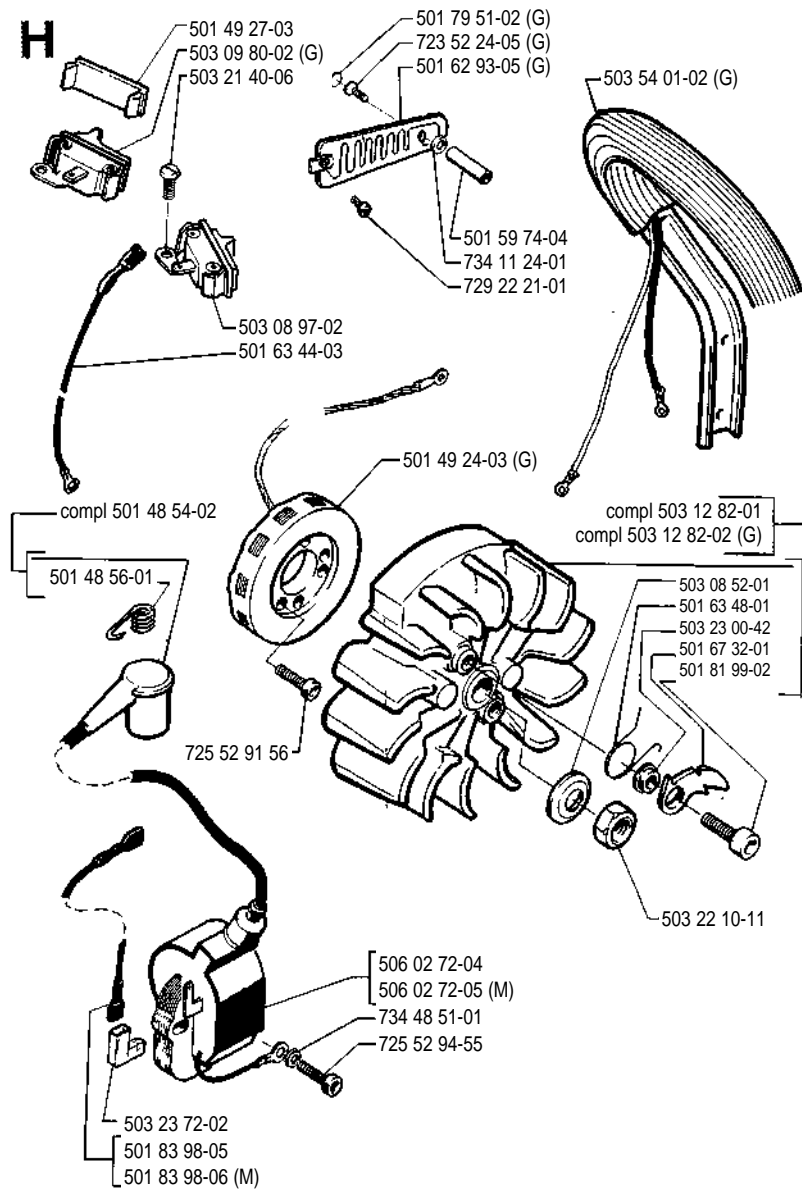
503 40 56-01 \*\*

\*\*

**D**

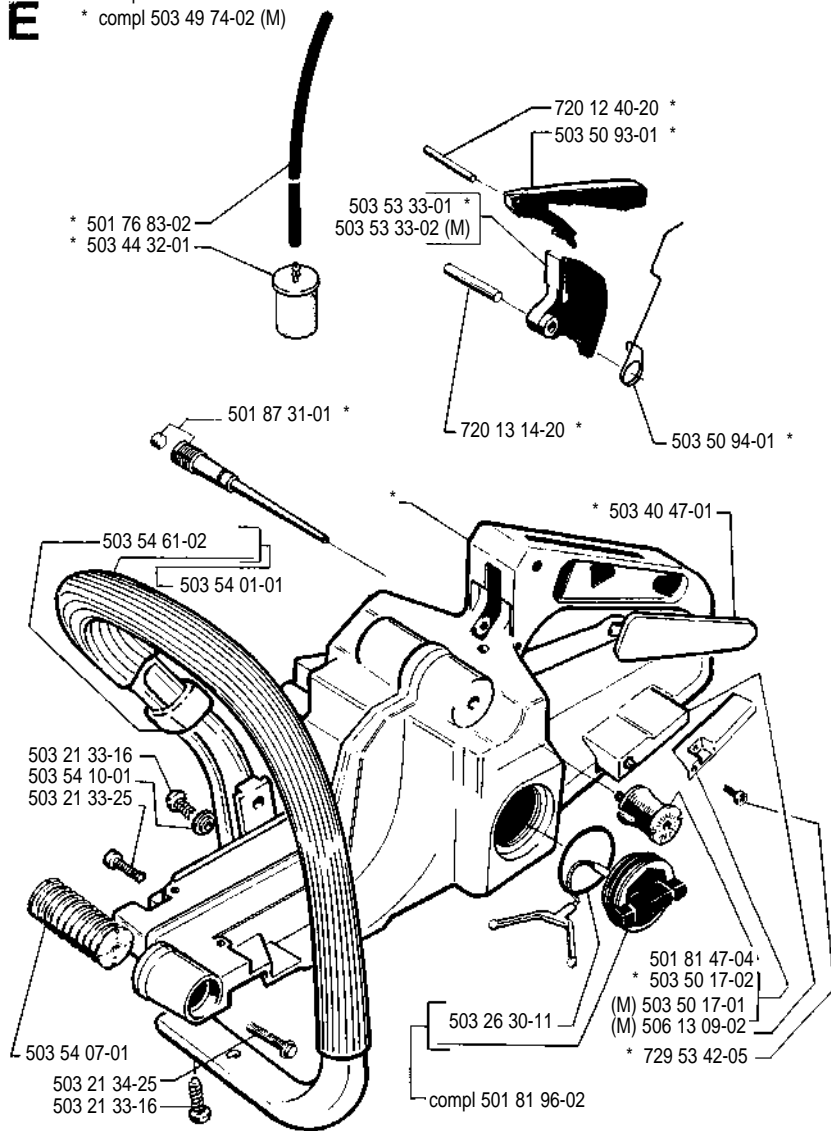


**H**



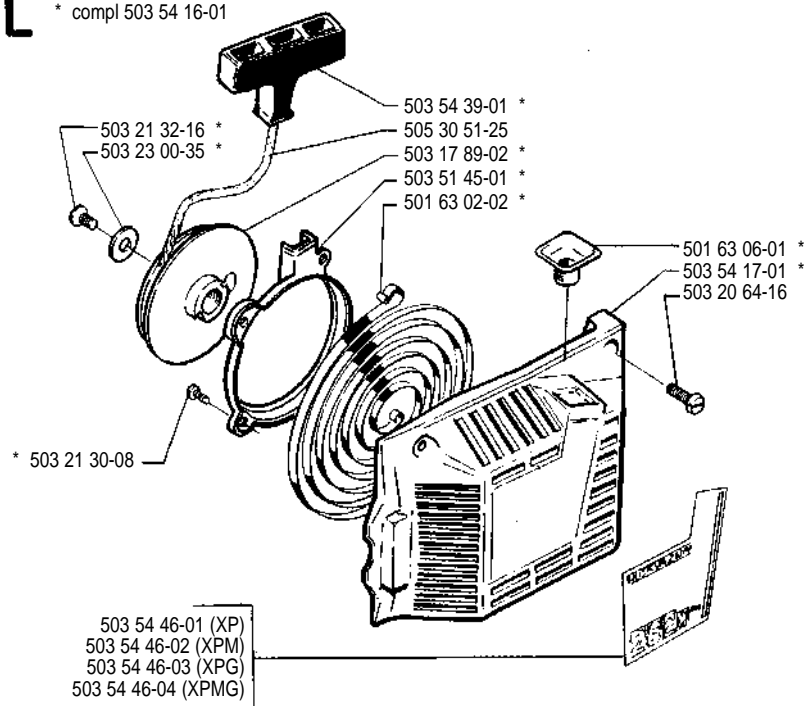
**E**

- \* compl 503 49 74-01
- \* compl 503 49 74-02 (M)

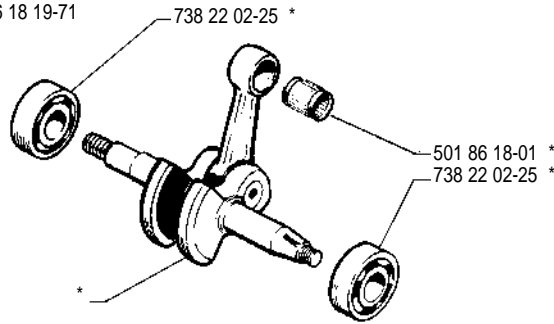


**L**

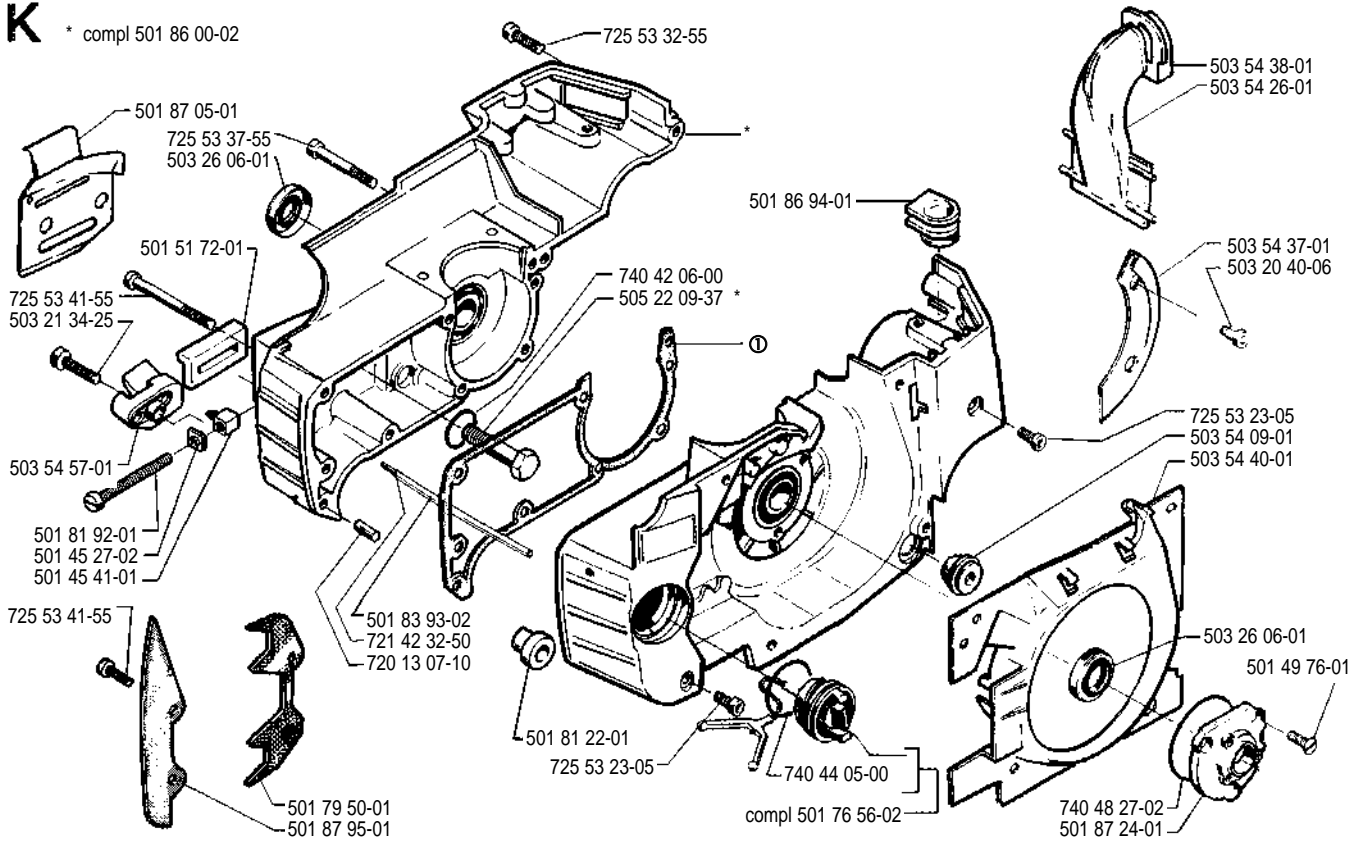
- \* compl 503 54 16-01



**G** \* compl 506 18 19-71



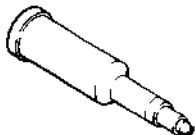
**K** \* compl 501 86 00-02



**N**

\* compl 501 67 33-02

**Accessories**  
**Zubehöre**  
**Accessories**  
**Accessorios**  
**Tillbehör**



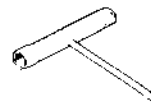
\* 501 91 14-01



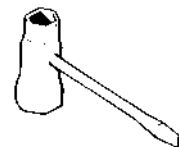
\* 503 08 54-01



\* 501 60 02-02



\* 501 68 89-01



\* 501 69 17-01

**M** \* compl 503 28 10-18

# Walbro HDA-87

