

261 EPA

Spare parts

Replaces

Ersatzteile

Ersetzt

Pièces détachées

Remplace

Reserve onderdelen

Vervangt

Repuestos

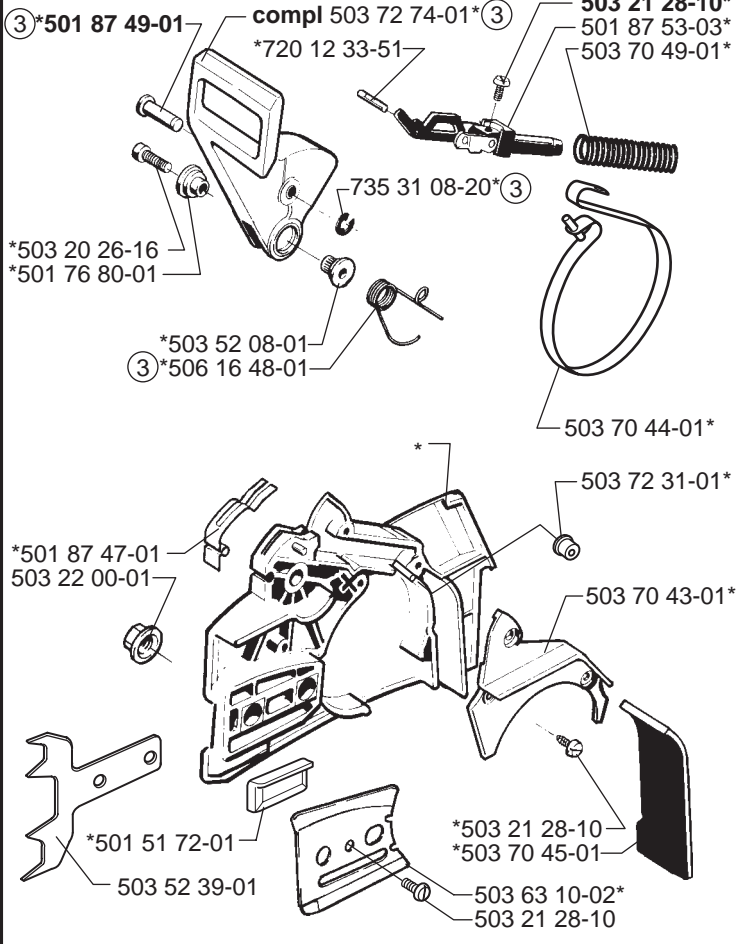
Reemplaza

Reservdelar

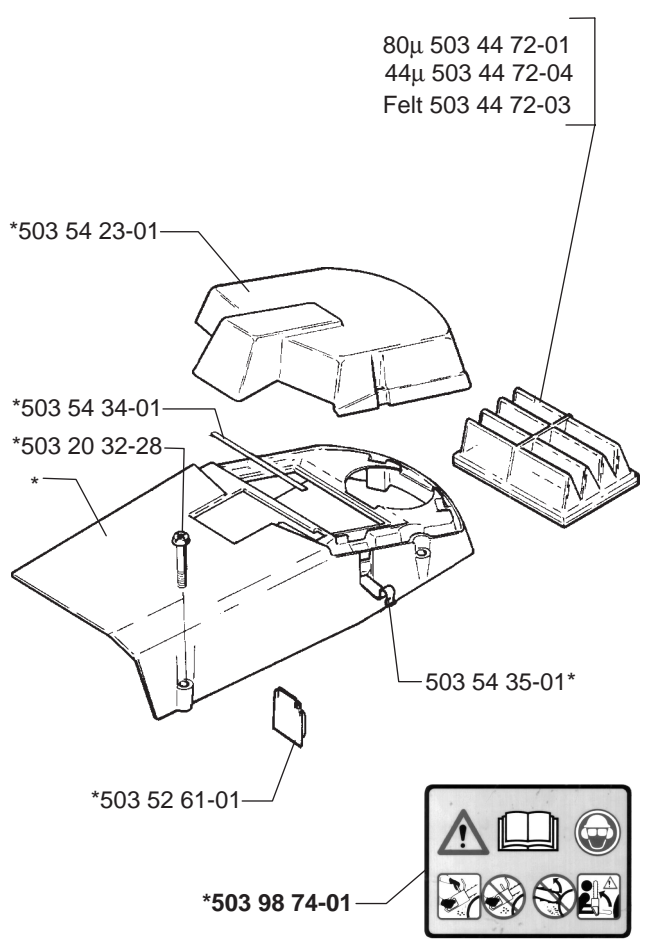
Ersätter

106 25 01-61

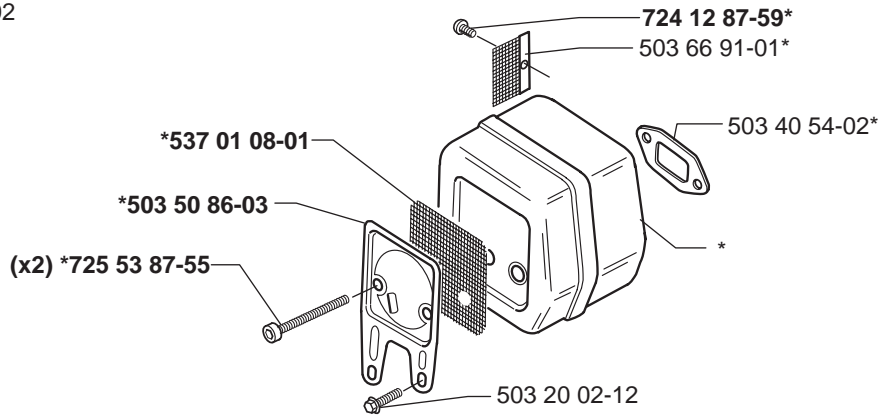
A *compl 503 74 70-72



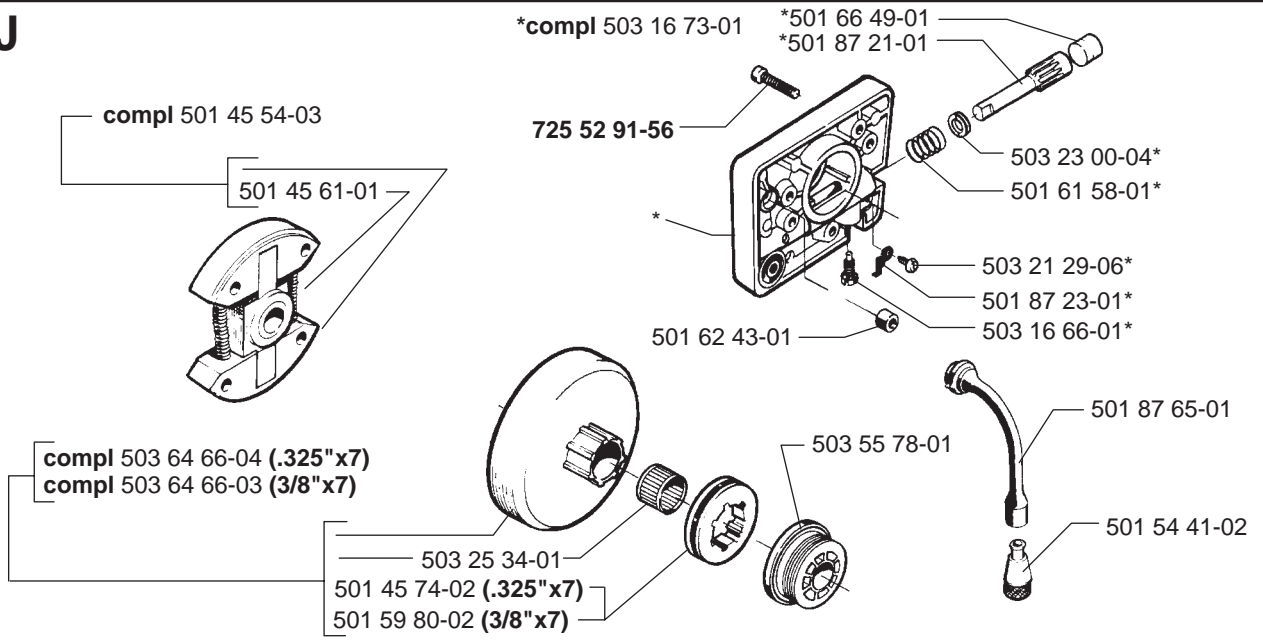
B *compl 503 54 21-70



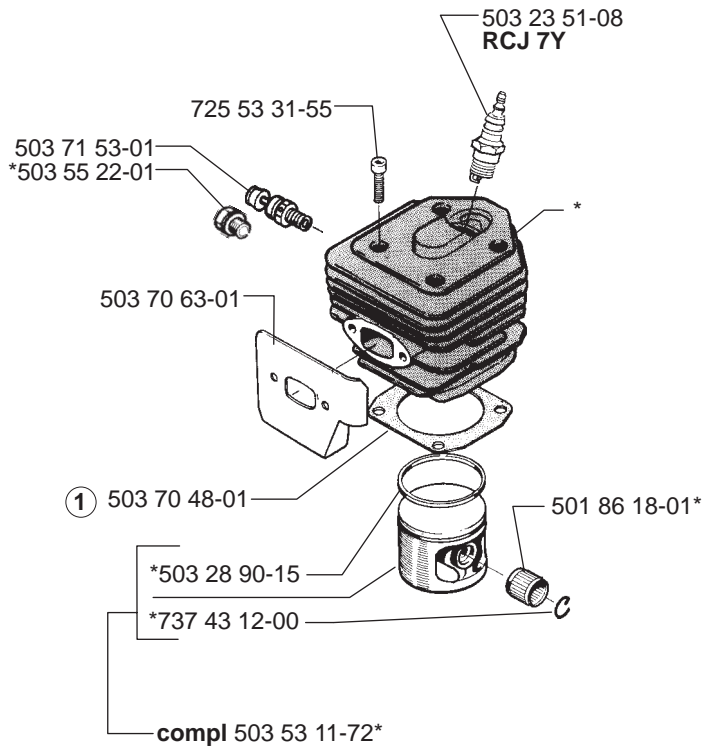
F *compl 503 97 25-02



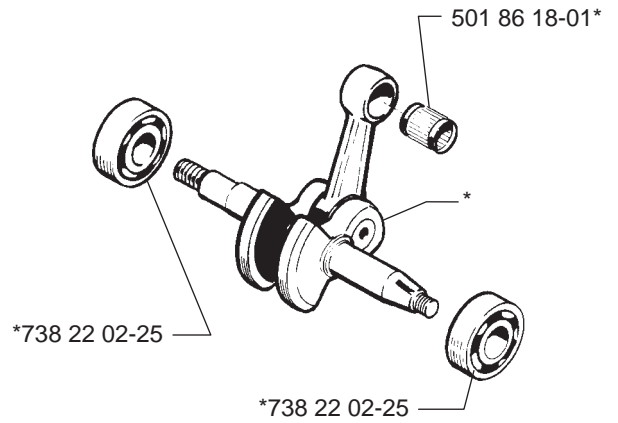
J



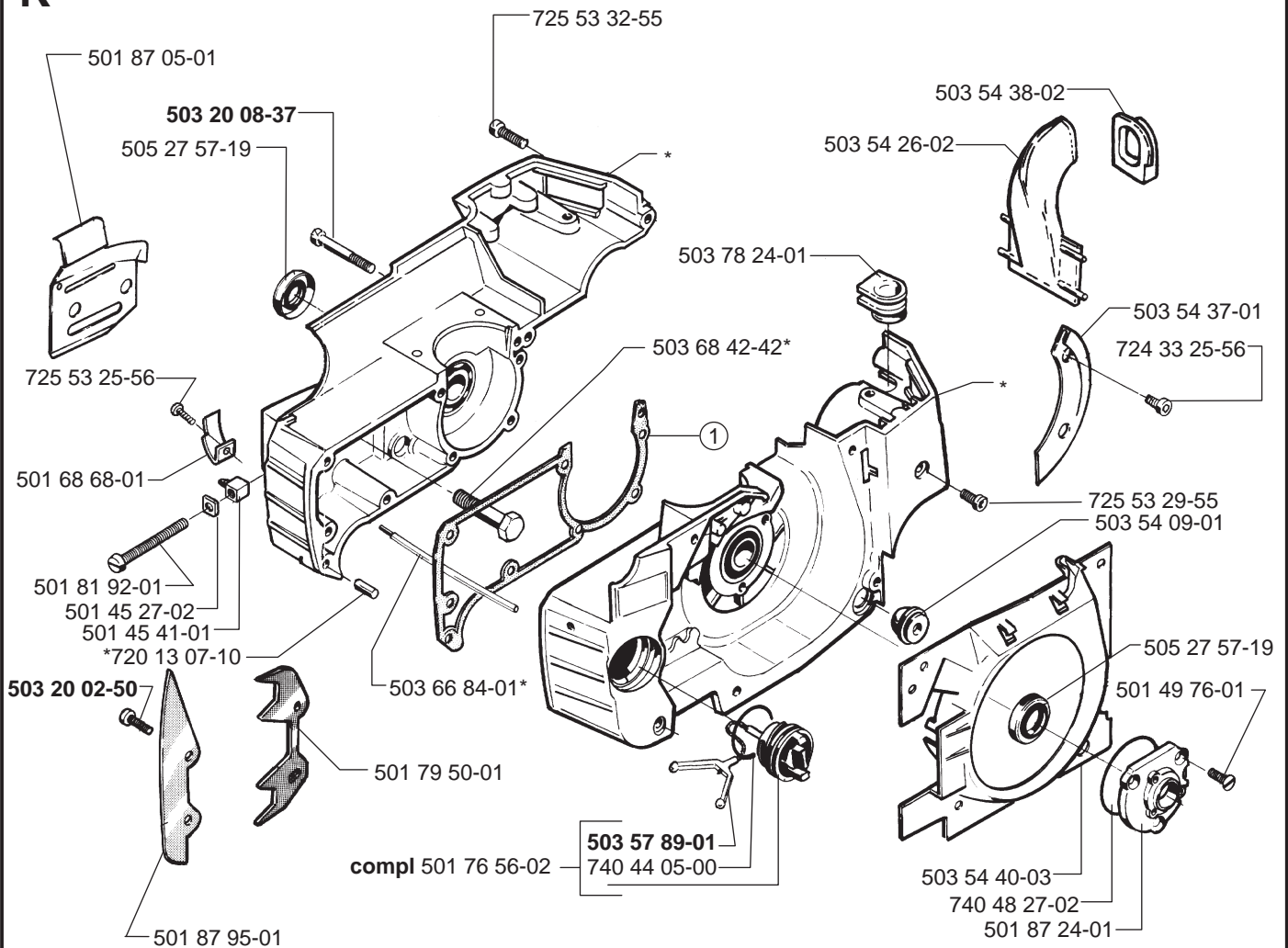
C *compl 503 90 79-72



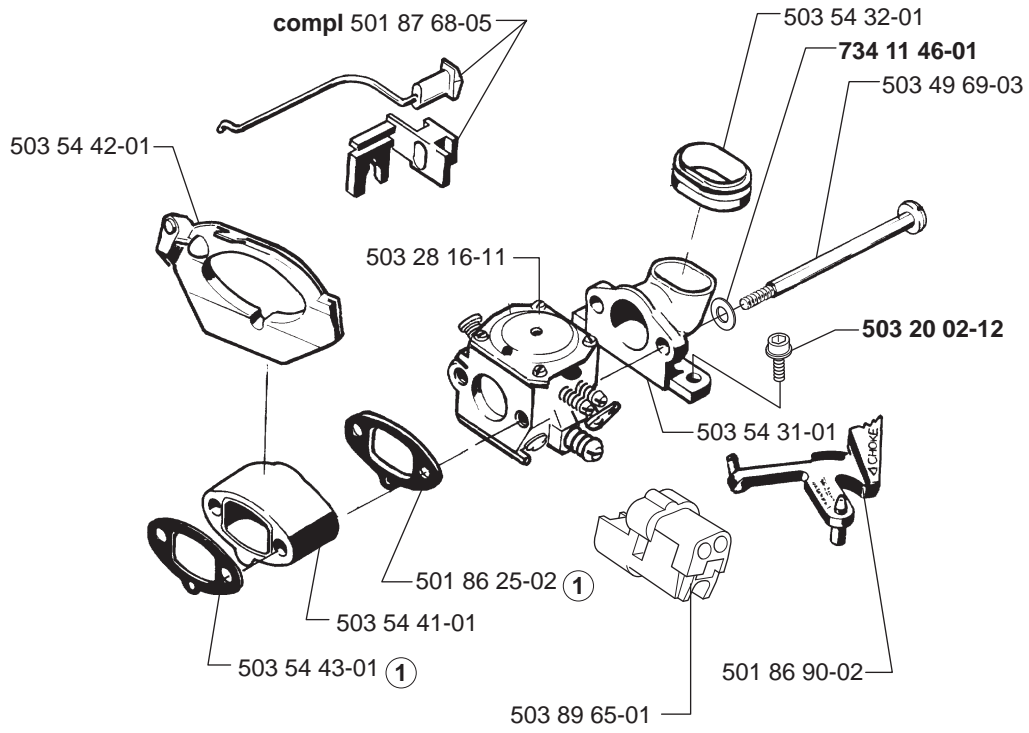
G *compl 506 18 19-72



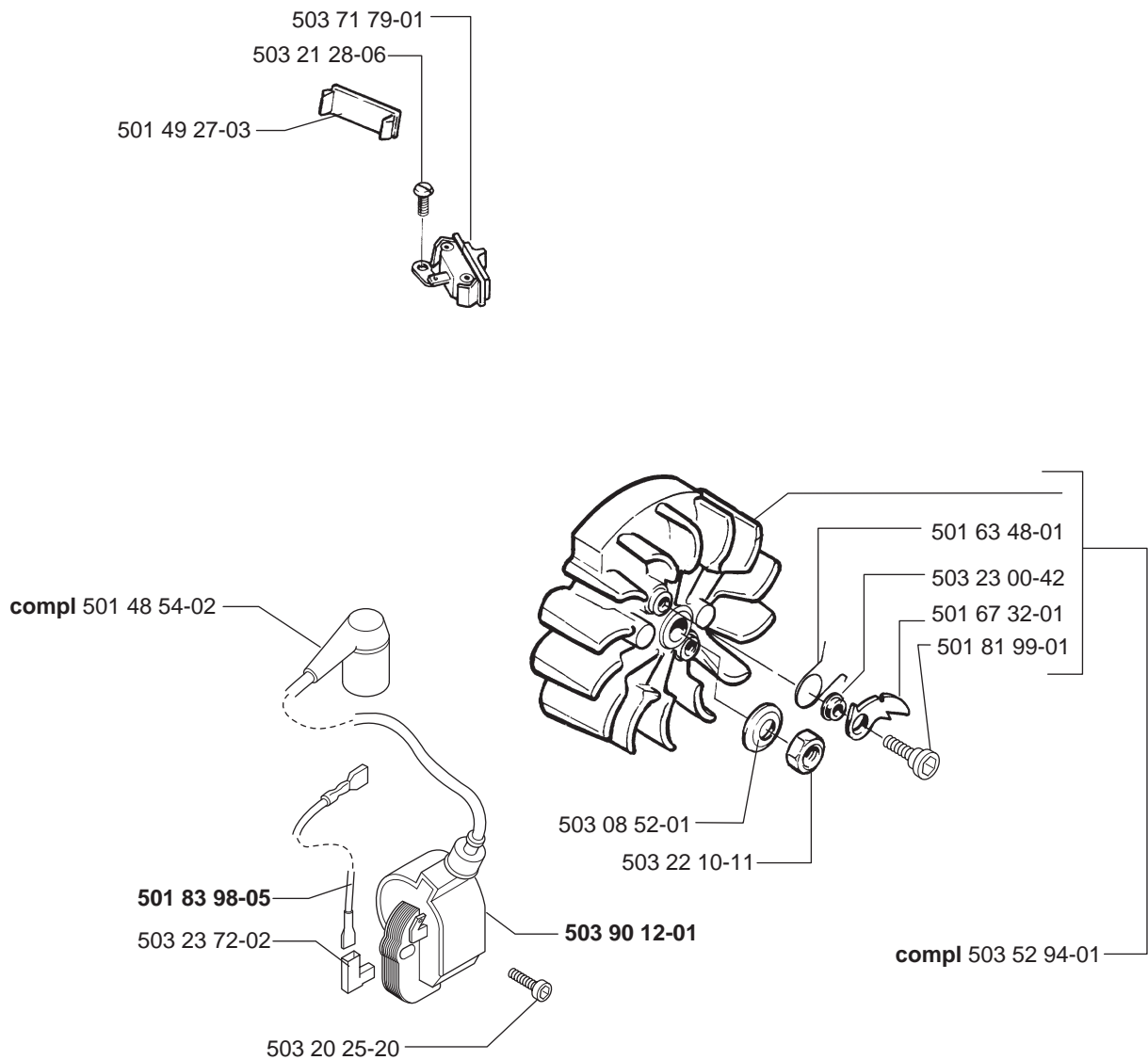
K *compl 501 86 00-04



D

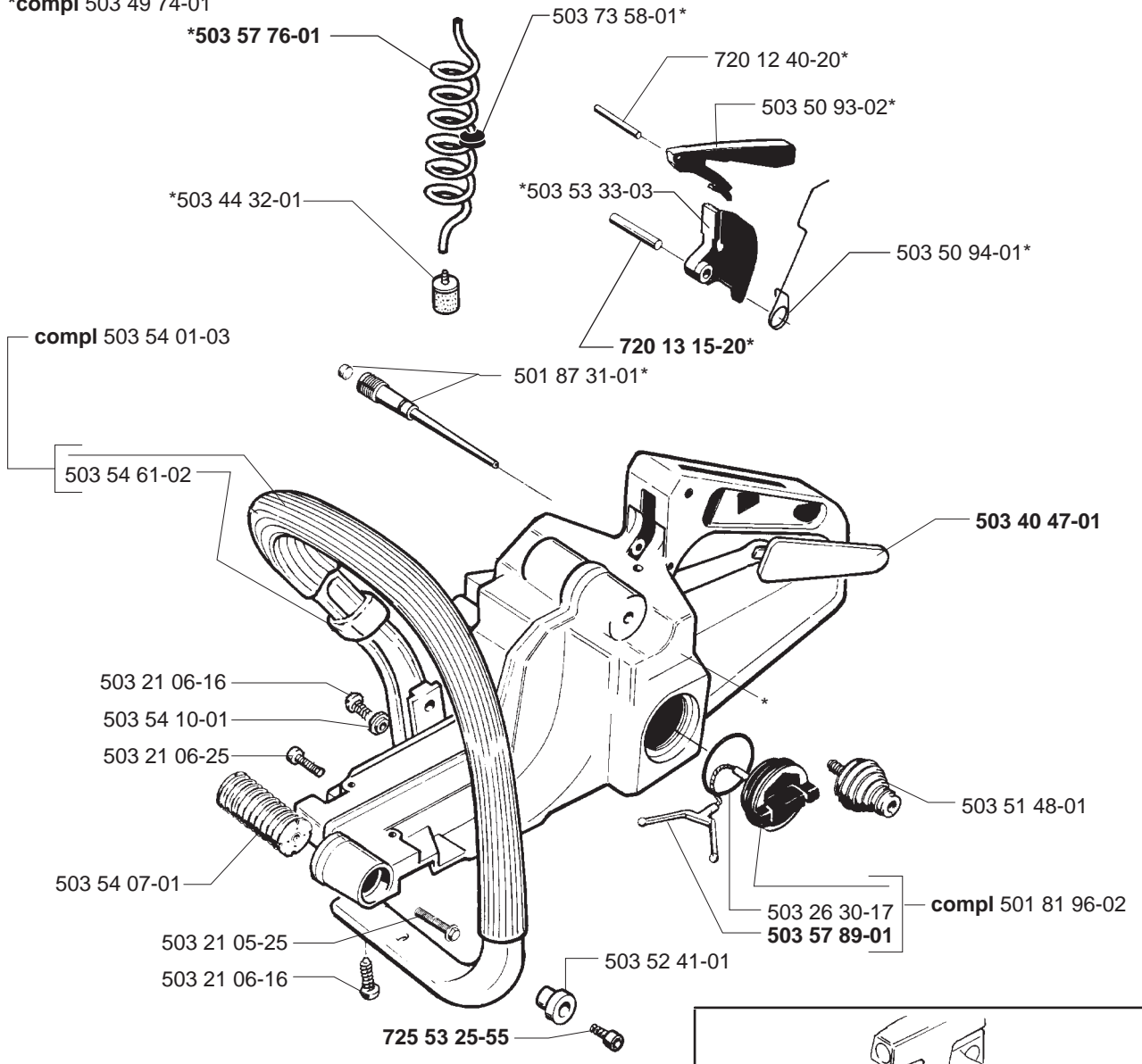


H



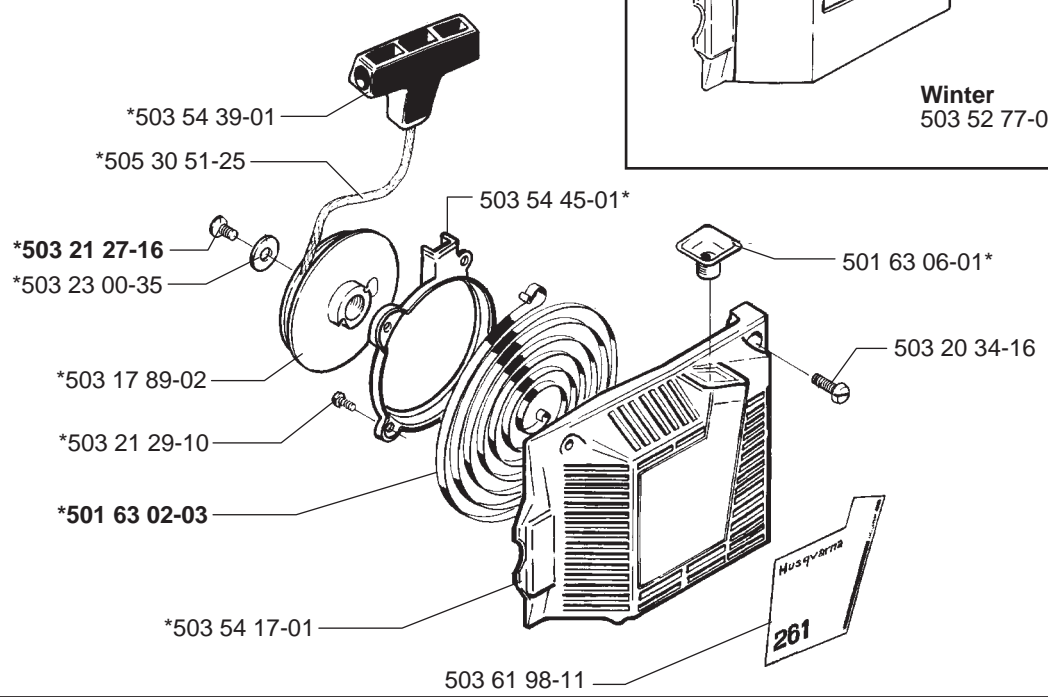
E

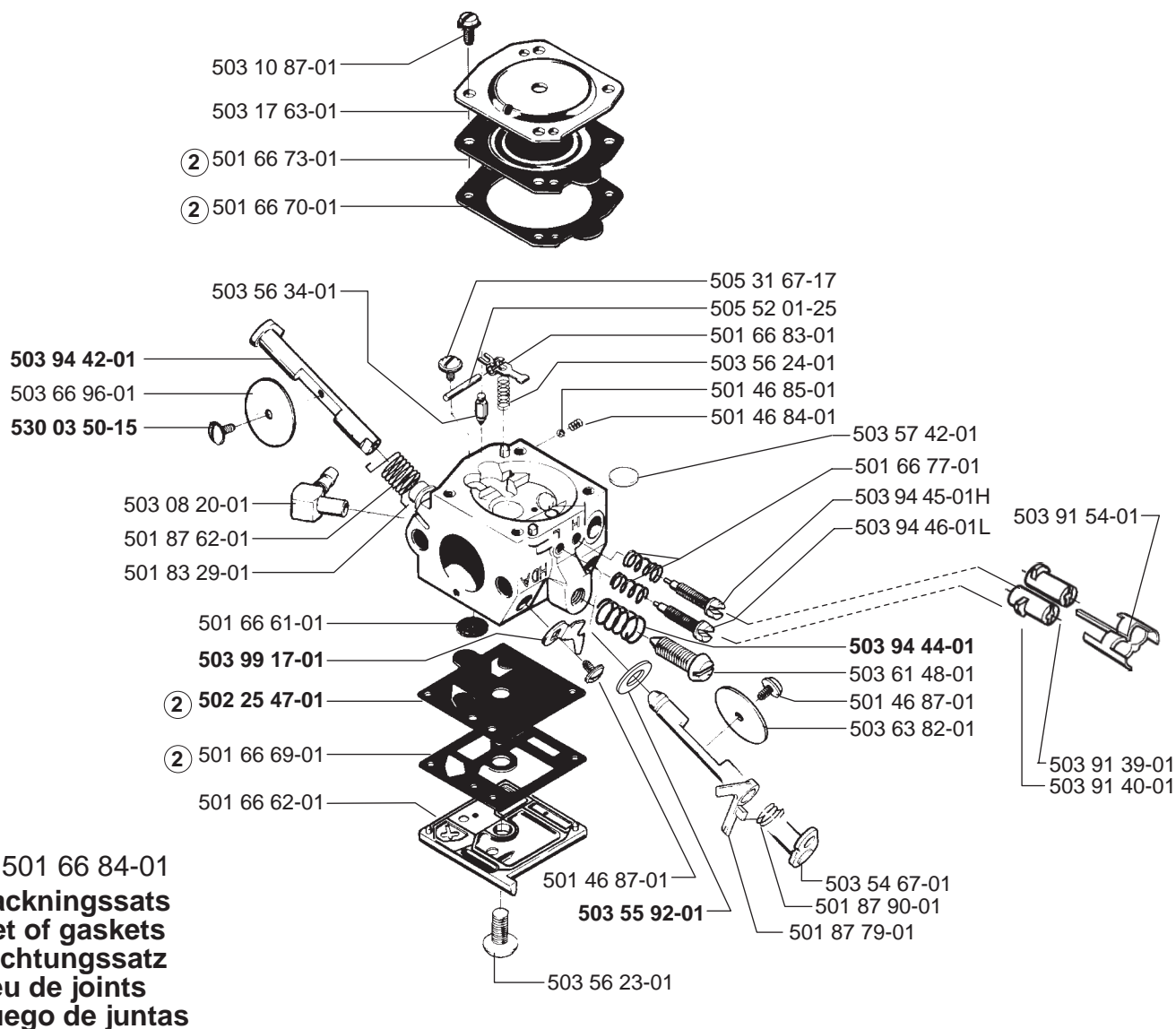
*compl 503 49 74-01



L

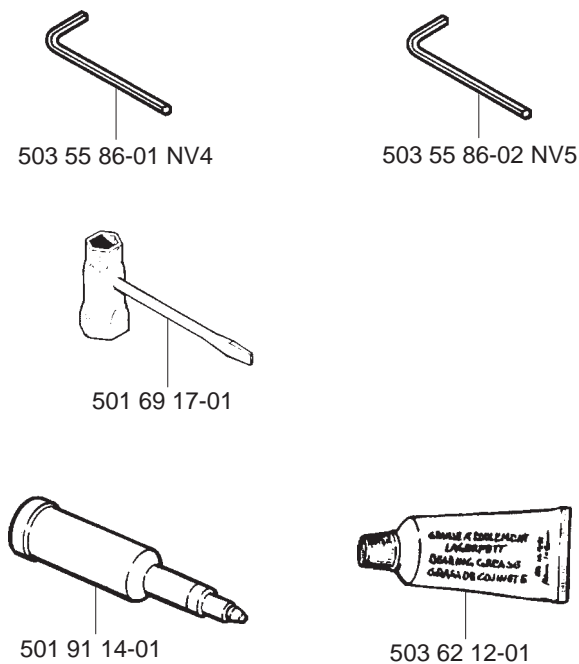
*compl 503 54 16-01





N *compl 503 55 85-01

Tillbehör
Accessories
Zubehöre
Accessoires
Accesorios



MODEL 261 EPA

| PART NUMBER | SQUARE NOTE | PART NUMBER | SQUARE NOTE | PART NUMBER | SQUARE NOTE | PART NUMBER | SQUARE NOTE |
|--------------|-------------|--------------|-------------|--------------|-------------|--------------|-------------|
| 501 45 27-02 | K | 503 20 26-16 | A | 503 55 86-01 | N | 740 44 05-00 | K |
| 501 45 41-01 | K | 503 20 32-28 | B | 503 55 86-02 | N | 740 48 27-02 | K |
| 501 45 54-03 | J | 503 20 34-16 | L | 503 55 92-01 | M | | |
| 501 45 61-01 | J | 503 20 38-85 | F | 503 56 23-01 | M | | |
| 501 45 74-02 | J | 503 21 05-25 | E | 503 56 24-01 | M | | |
| 501 46 84-01 | M | 503 21 06-16 | E | 503 56 34-01 | M | | |
| 501 46 85-01 | M | 503 21 06-25 | E | 503 57 42-01 | M | | |
| 501 46 87-01 | M | 503 21 27-16 | L | 503 57 76-01 | E | | |
| 501 48 54-02 | H | 503 21 28-06 | H | 503 57 89-01 | EK | | |
| 501 49 27-03 | H | 503 21 28-10 | A | 503 61 48-01 | M | | |
| | | | | | | | |
| 501 49 76-01 | K | 503 21 29-06 | J | 503 61 98-11 | L | | |
| 501 51 72-01 | A | 503 21 29-10 | L | 503 62 12-01 | N | | |
| 501 54 41-02 | J | 503 22 00-01 | A | 503 63 10-02 | A | | |
| 501 59 80-02 | J | 503 22 10-11 | H | 503 63 82-01 | M | | |
| 501 61 58-01 | J | 503 23 00-04 | J | 503 64 66-03 | J | | |
| 501 62 43-01 | J | 503 23 00-35 | L | 503 64 66-04 | J | | |
| 501 63 02-03 | L | 503 23 00-42 | H | 503 66 84-01 | K | | |
| 501 63 06-01 | L | 503 23 51-08 | C | 503 66 91-01 | F | | |
| 501 63 48-01 | H | 503 23 72-02 | H | 503 66 96-01 | M | | |
| 501 66 49-01 | J | 503 25 34-01 | J | 503 68 42-42 | K | | |
| | | | | | | | |
| 501 66 61-01 | M | 503 26 30-17 | E | 503 70 43-01 | A | | |
| 501 66 62-01 | M | 503 28 16-11 | DM | 503 70 44-01 | A | | |
| 501 66 69-01 | M | 503 28 90-15 | C | 503 70 45-01 | A | | |
| 501 66 70-01 | M | 503 40 47-01 | E | 503 70 48-01 | C | | |
| 501 66 73-01 | M | 503 40 54-02 | F | 503 70 49-01 | A | | |
| 501 66 77-01 | M | 503 44 32-01 | E | 503 70 63-01 | C | | |
| 501 66 83-01 | M | 503 44 72-01 | B | 503 71 53-01 | C | | |
| 501 66 84-01 | M | 503 44 72-03 | B | 503 71 79-01 | H | | |
| 501 67 32-01 | H | 503 44 72-04 | B | 503 72 31-01 | A | | |
| 501 68 68-01 | K | 503 49 69-03 | D | 503 72 74-01 | A | | |
| | | | | | | | |
| 501 69 17-01 | N | 503 49 74-01 | E | 503 73 58-01 | E | | |
| 501 76 56-02 | K | 503 50 86-03 | F | 503 74 70-72 | A | | |
| 501 76 80-01 | A | 503 50 93-02 | E | 503 78 24-01 | K | | |
| 501 79 50-01 | K | 503 50 94-01 | E | 503 89 65-01 | D | | |
| 501 81 92-01 | K | 503 51 48-01 | E | 503 90 12-01 | H | | |
| 501 81 96-02 | E | 503 52 08-01 | A | 503 90 79-72 | C | | |
| 501 81 99-01 | H | 503 52 39-01 | A | 503 91 39-01 | M | | |
| 501 83 29-01 | M | 503 52 41-01 | E | 503 91 40-01 | M | | |
| 501 83 98-05 | H | 503 52 61-01 | B | 503 91 54-01 | M | | |
| 501 86 00-04 | K | 503 52 77-01 | L | 503 94 42-01 | M | | |
| | | | | | | | |
| 501 86 18-01 | CG | 503 52 94-01 | H | 503 94 44-01 | M | | |
| 501 86 25-02 | D | 503 53 11-72 | C | 503 94 45-01 | M | | |
| 501 86 90-02 | D | 503 53 33-03 | E | 503 94 46-01 | M | | |
| 501 87 05-01 | K | 503 54 01-03 | E | 503 97 25-02 | F | | |
| 501 87 21-01 | J | 503 54 07-01 | E | 503 98 74-01 | B | | |
| 501 87 23-01 | J | 503 54 09-01 | K | 503 99 17-01 | M | | |
| 501 87 24-01 | K | 503 54 10-01 | E | 505 27 57-19 | K | | |
| 501 87 31-01 | E | 503 54 16-01 | L | 505 30 51-25 | L | | |
| 501 87 47-01 | A | 503 54 17-01 | L | 505 31 67-17 | M | | |
| 501 87 49-01 | A | 503 54 21-70 | B | 505 52 01-25 | M | | |
| | | | | | | | |
| 501 87 53-03 | A | 503 54 23-01 | B | 506 16 48-01 | A | | |
| 501 87 62-01 | M | 503 54 26-02 | K | 506 18 19-72 | G | | |
| 501 87 65-01 | J | 503 54 31-01 | D | 530 03 50-15 | M | | |
| 501 87 68-05 | D | 503 54 32-01 | D | 537 01 08-01 | F | | |
| 501 87 79-01 | M | 503 54 34-01 | B | 720 12 33-51 | A | | |
| 501 87 90-01 | M | 503 54 35-01 | B | 720 12 40-20 | E | | |
| 501 87 95-01 | K | 503 54 37-01 | K | 720 13 07-10 | K | | |
| 501 91 14-01 | N | 503 54 38-02 | K | 720 13 15-20 | E | | |
| 502 25 47-01 | M | 503 54 39-01 | L | 724 12 87-59 | F | | |
| 503 08 20-01 | M | 503 54 40-03 | K | 724 33 25-56 | K | | |
| | | | | | | | |
| 503 08 52-01 | H | 503 54 41-01 | D | 725 52 91-56 | J | | |
| 503 10 87-01 | M | 503 54 42-01 | D | 725 53 25-55 | E | | |
| 503 16 66-01 | J | 503 54 43-01 | D | 725 53 25-56 | K | | |
| 503 16 73-01 | J | 503 54 45-01 | L | 725 53 29-55 | K | | |
| 503 17 63-01 | M | 503 54 61-02 | E | 725 53 31-55 | C | | |
| 503 17 89-02 | L | 503 54 62-02 | | 725 53 32-55 | K | | |
| 503 20 02-12 | DF | 503 54 67-01 | M | 734 11 46-01 | D | | |
| 503 20 02-50 | K | 503 55 22-01 | C | 735 31 08-20 | A | | |
| 503 20 08-37 | K | 503 55 78-01 | J | 737 43 12-00 | C | | |
| 503 20 25-20 | H | 503 55 85-01 | N | 738 22 02-25 | G | | |

1 compl. = 503 54 62-02
 2 compl. = 501 66 84-01

Set of gaskets
 Dichtungssatz
 Jeu de joints
 Juego de juntas
 Packningssats

N = New part
 Neues teil
 Nouvelle piece
 Nueva pieza
 Ny detalj

EPA = Environmental Protection Agency