

250 R

252 RX

250 R (EPA)

252 RX (EPA)

Spare parts

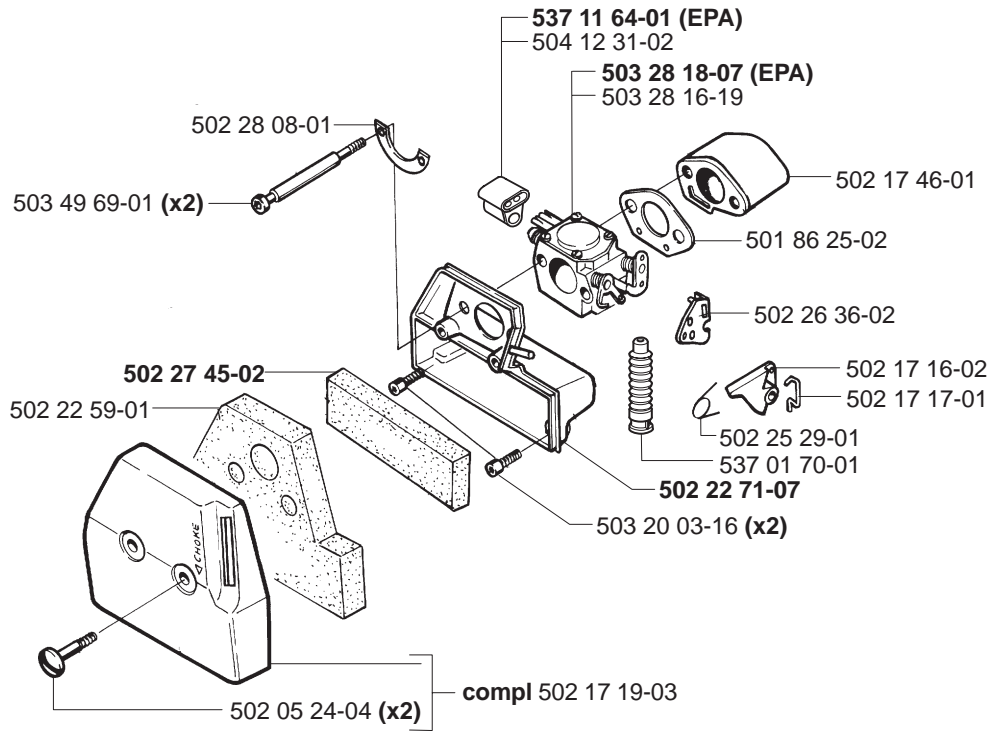
Ersatzteile

Pièces détachées

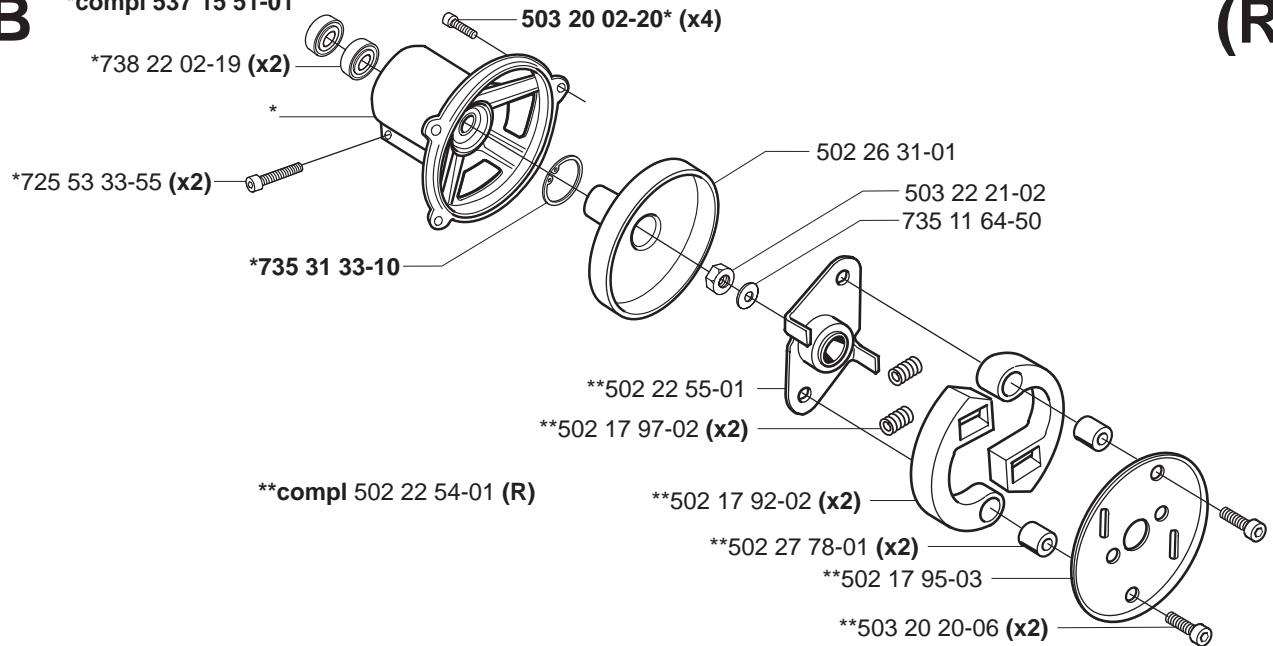
Reserve onderdelen

Repuestos

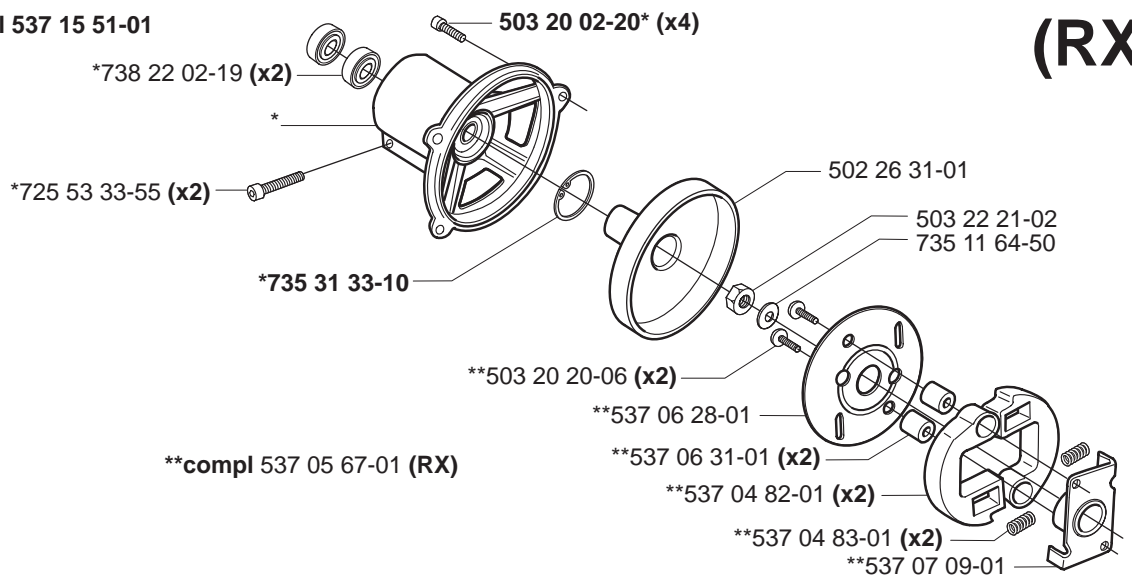
Reservdelar

A**B**

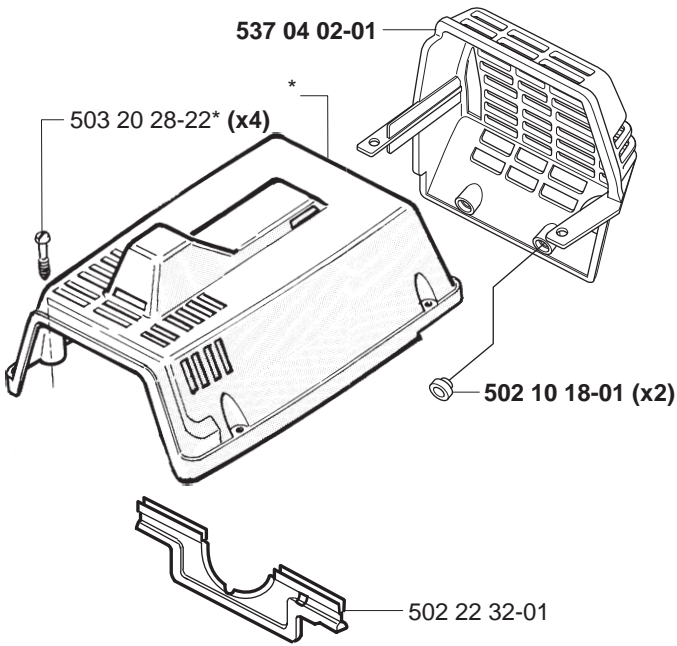
*compl 537 15 51-01

**(R)****C**

*compl 537 15 51-01

**(RX)**

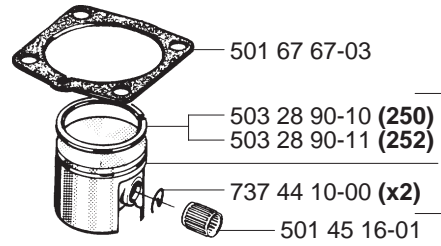
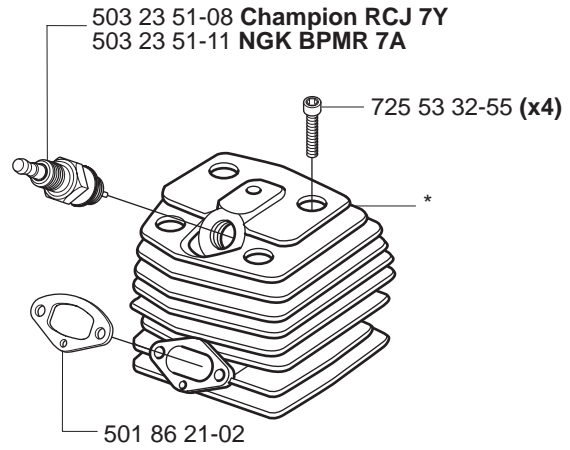
D *compl 502 22 46-05



502 21 26-28 (250R) — **250 R**
Husqvarna

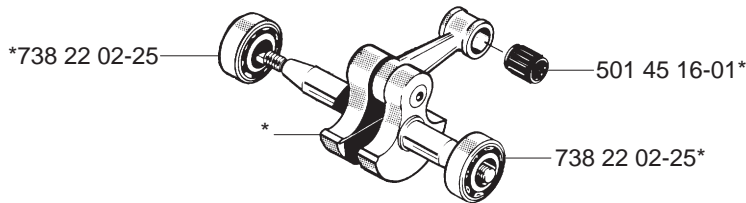
502 21 26-29 (252RX) — **252 RX**
Husqvarna

E *compl 502 27 34-01 (250 R)
 *compl 502 22 77-02 (252 RX)

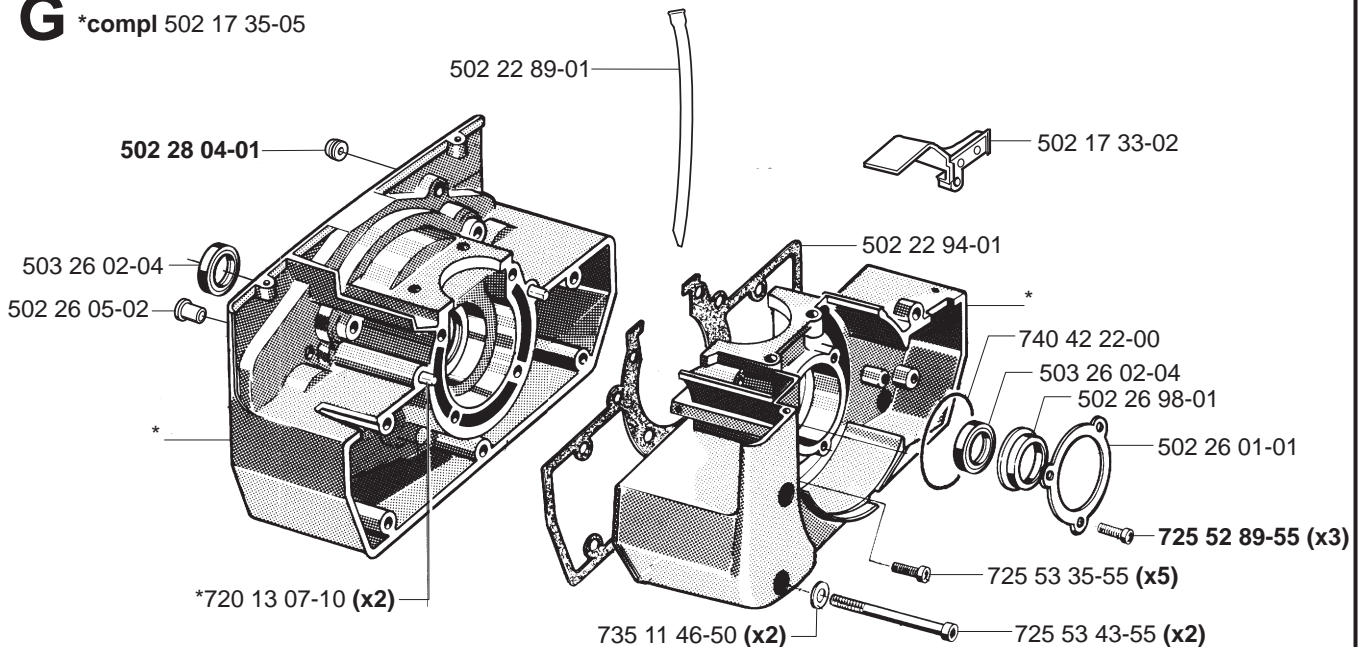


*502 27 35-01 (250 R)
 *502 22 79-01 (252 RX)

F *compl 502 05 08-74

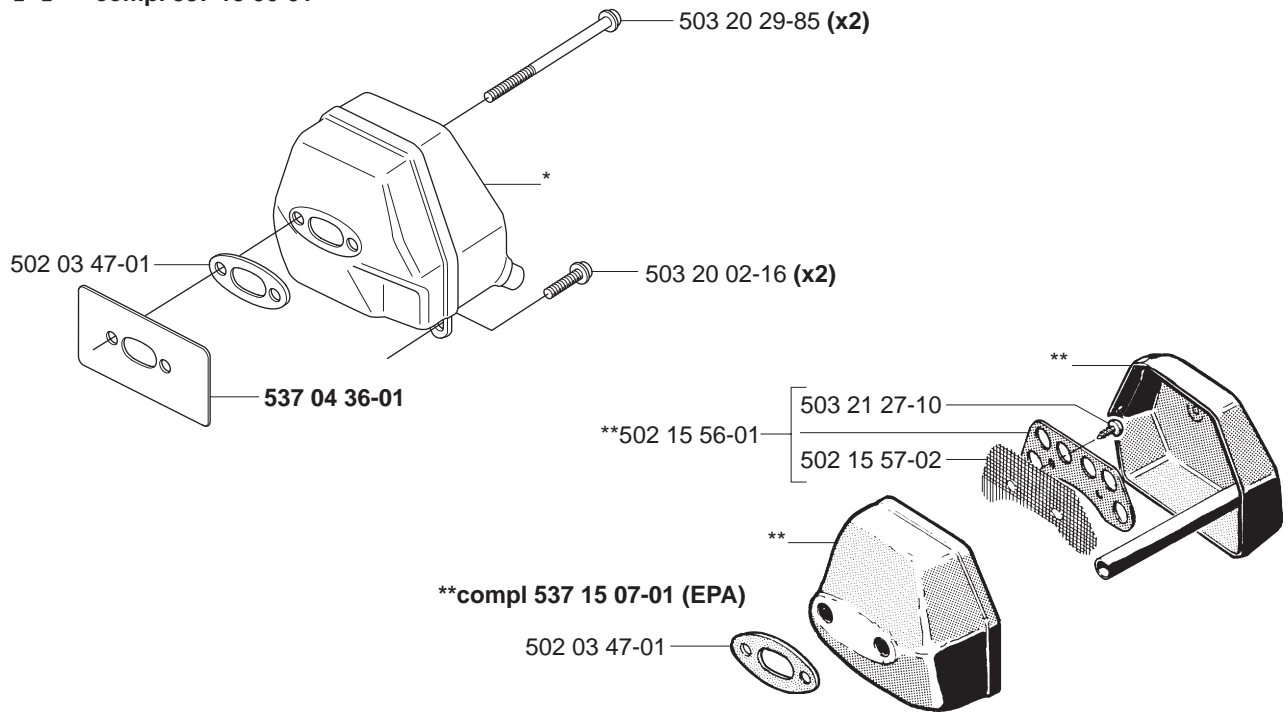


G *compl 502 17 35-05



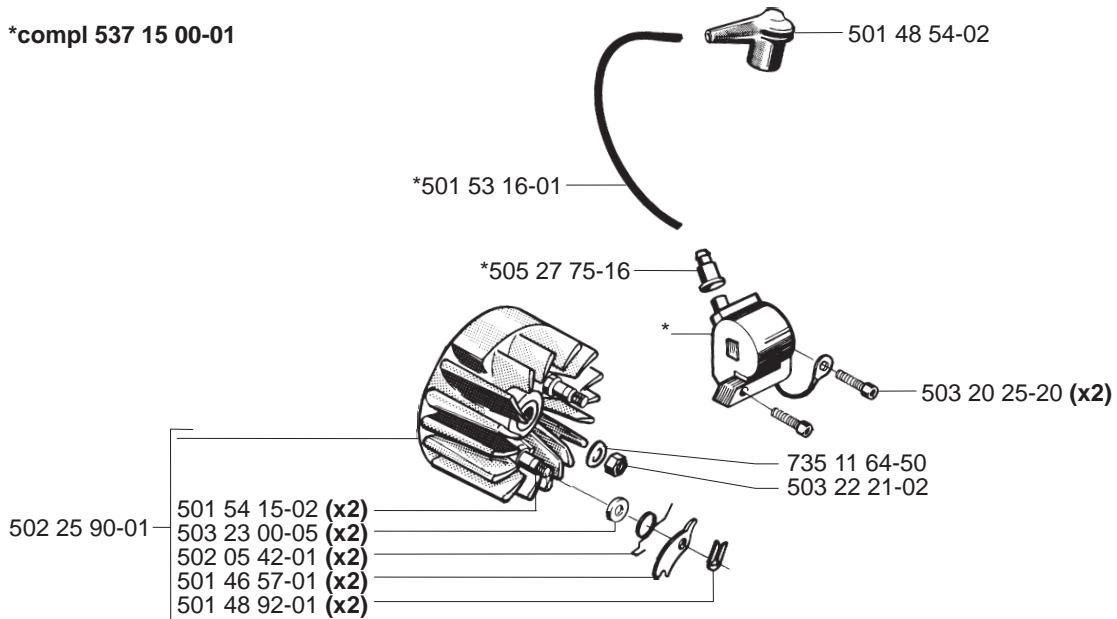
H

*compl 537 15 06-01



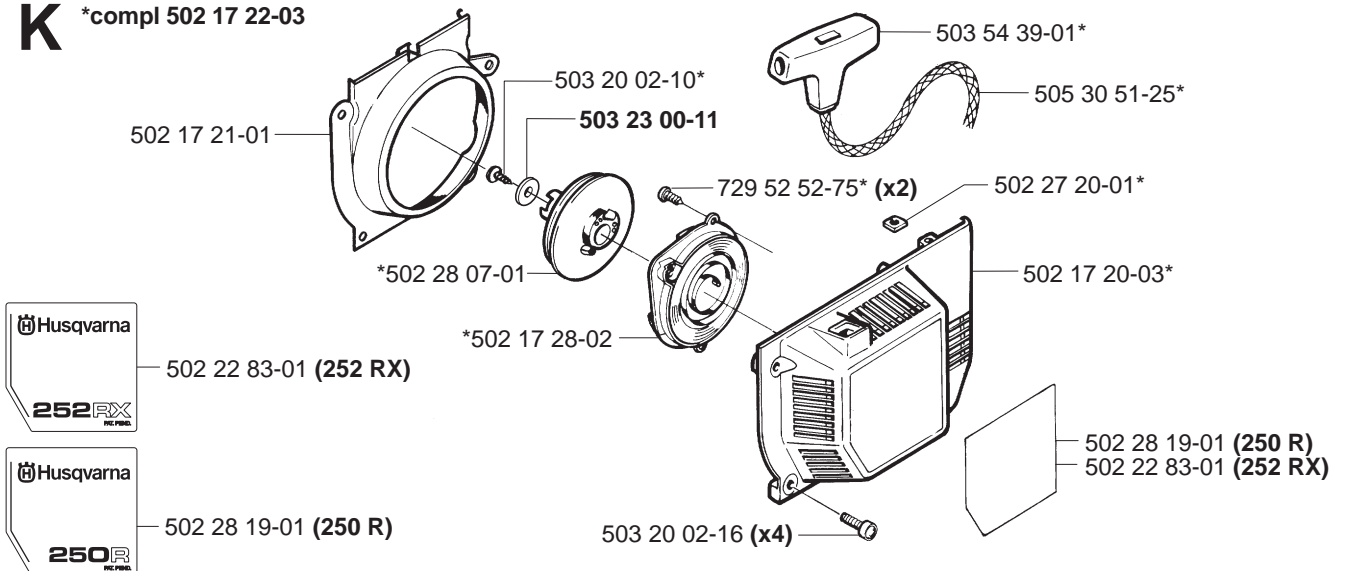
J

*compl 537 15 00-01



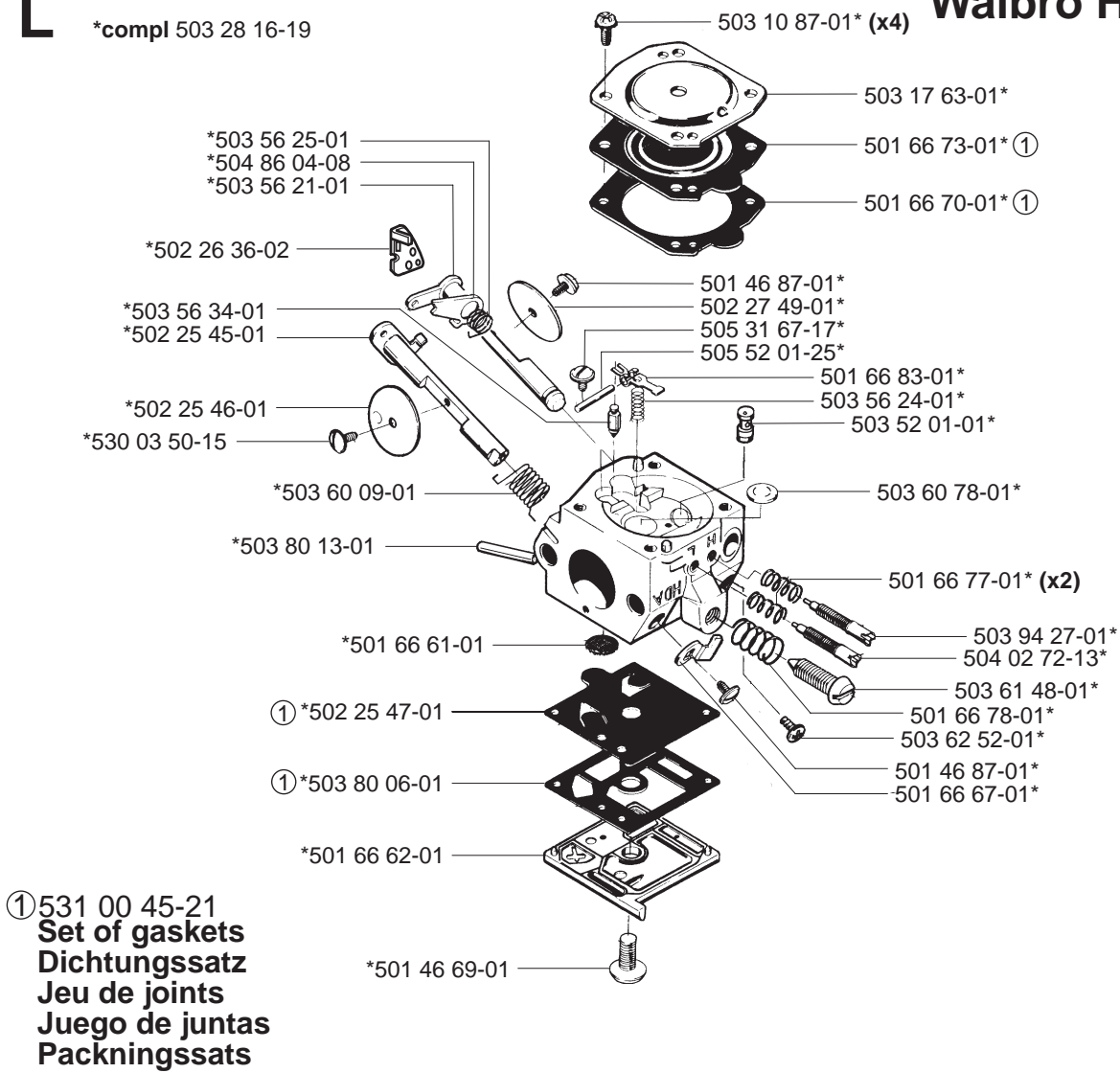
K

*compl 502 17 22-03

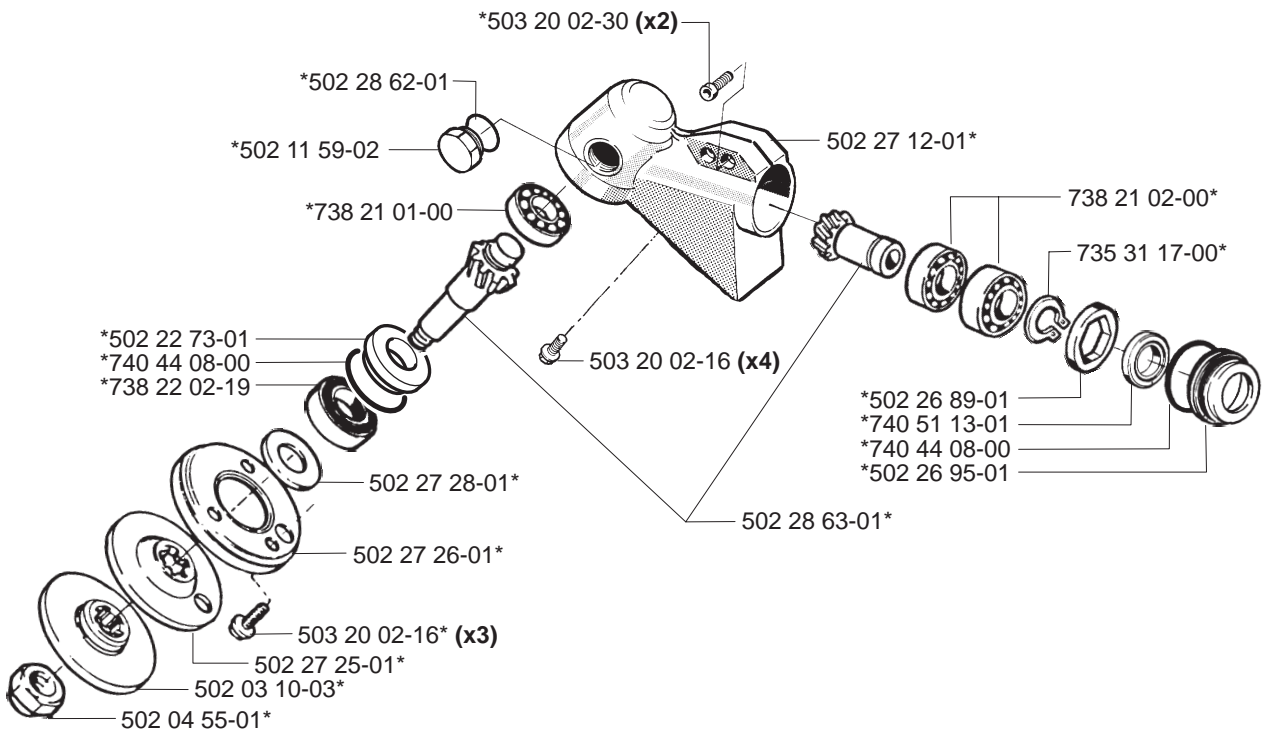


L

*compl 503 28 16-19

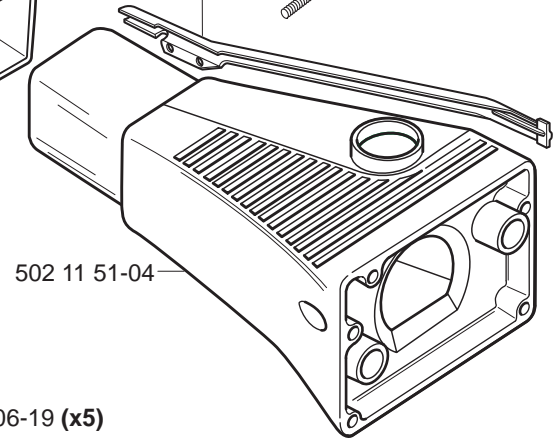
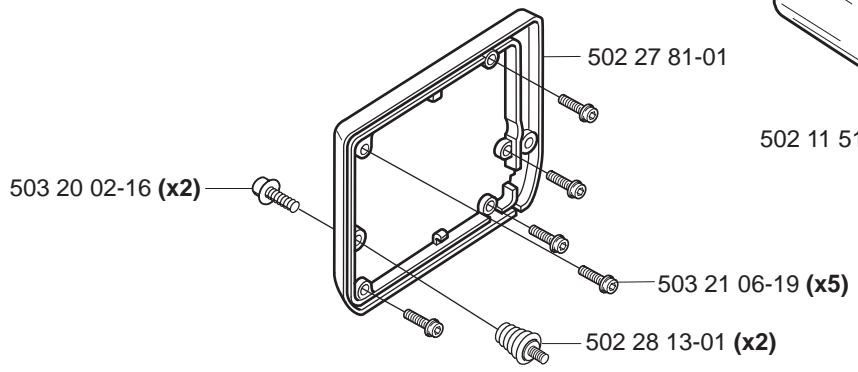
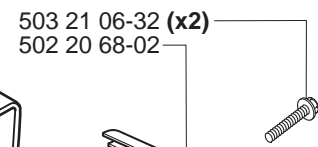
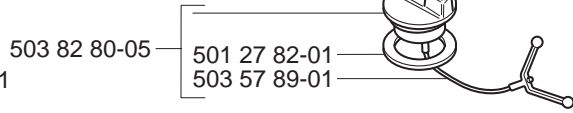
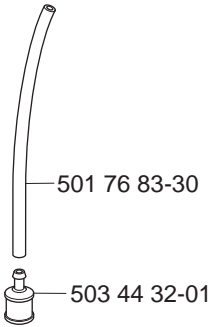
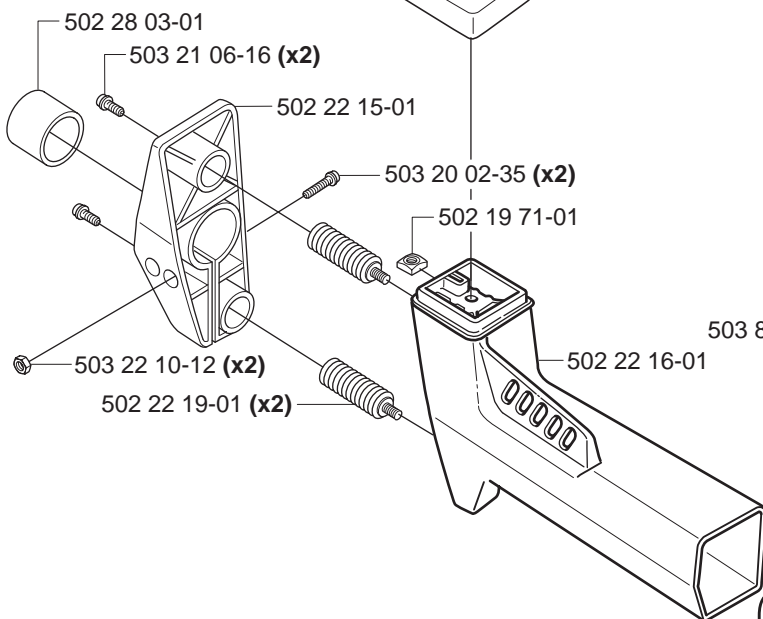
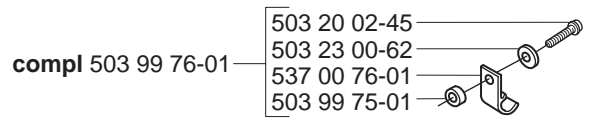
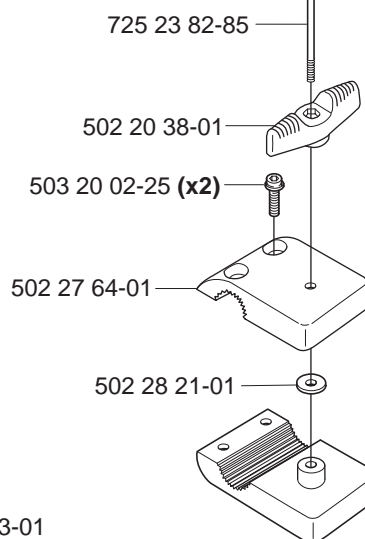
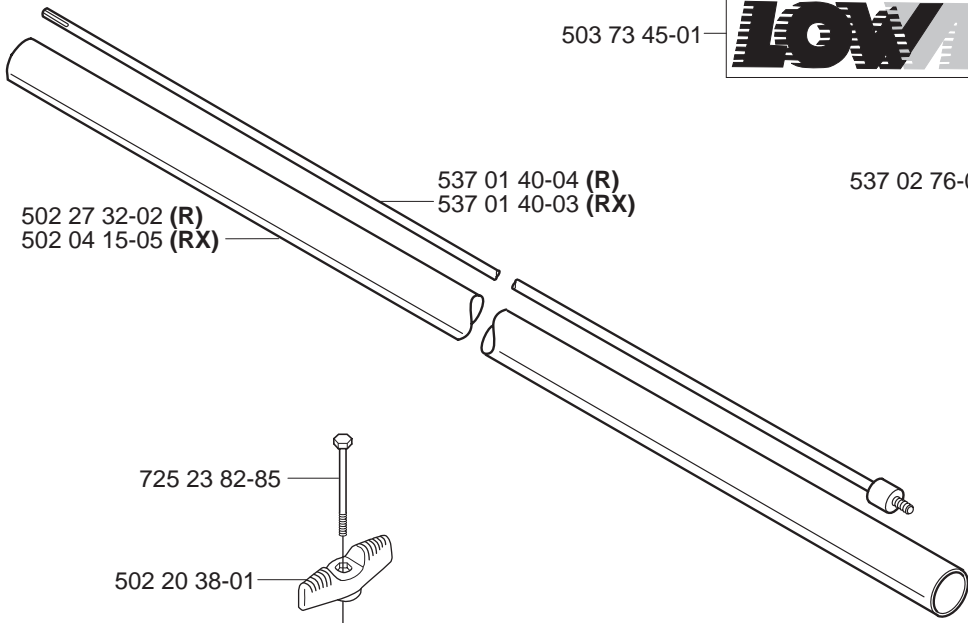
Walbro HDA-142**M**

*compl 502 27 11-02



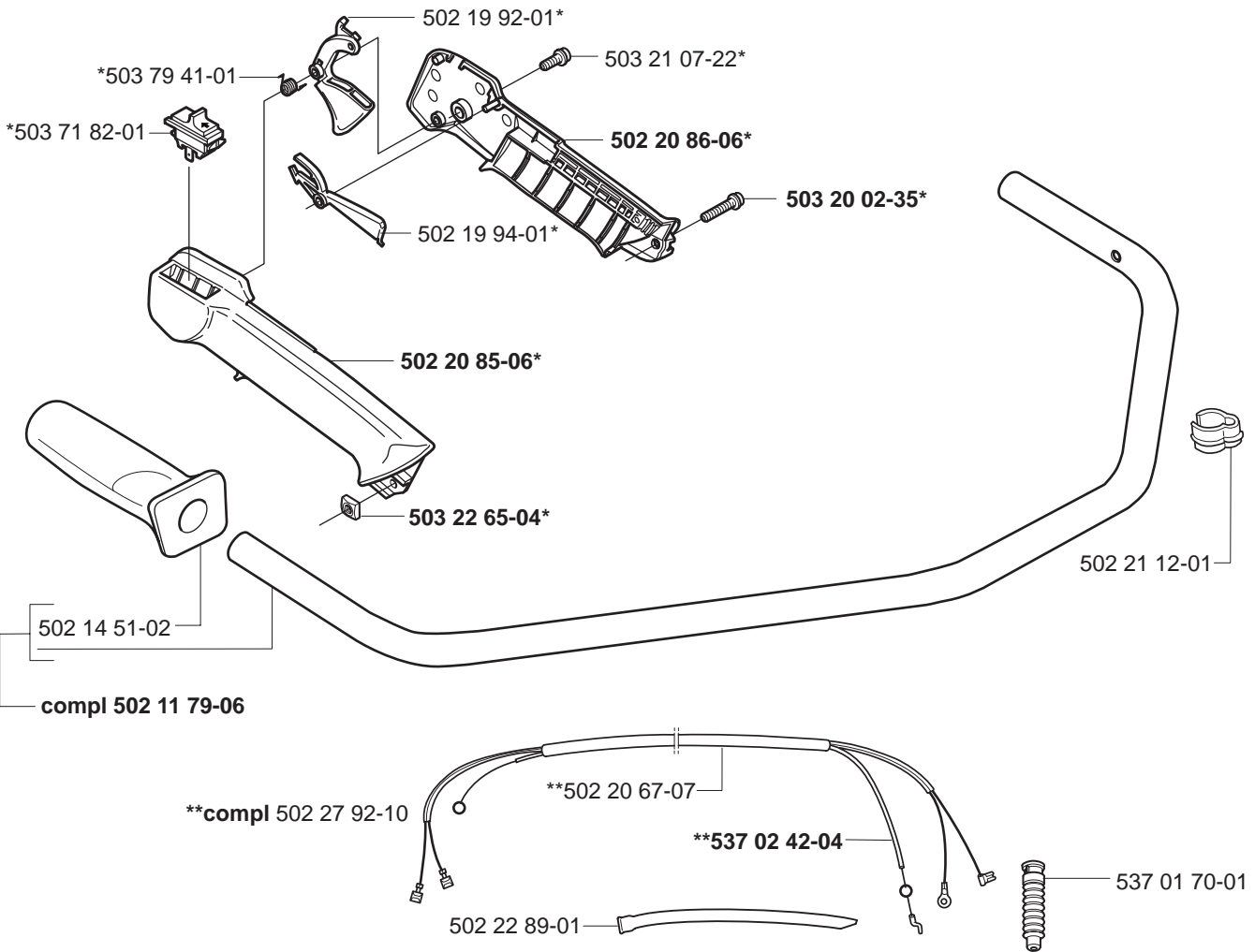
N

503 73 45-01



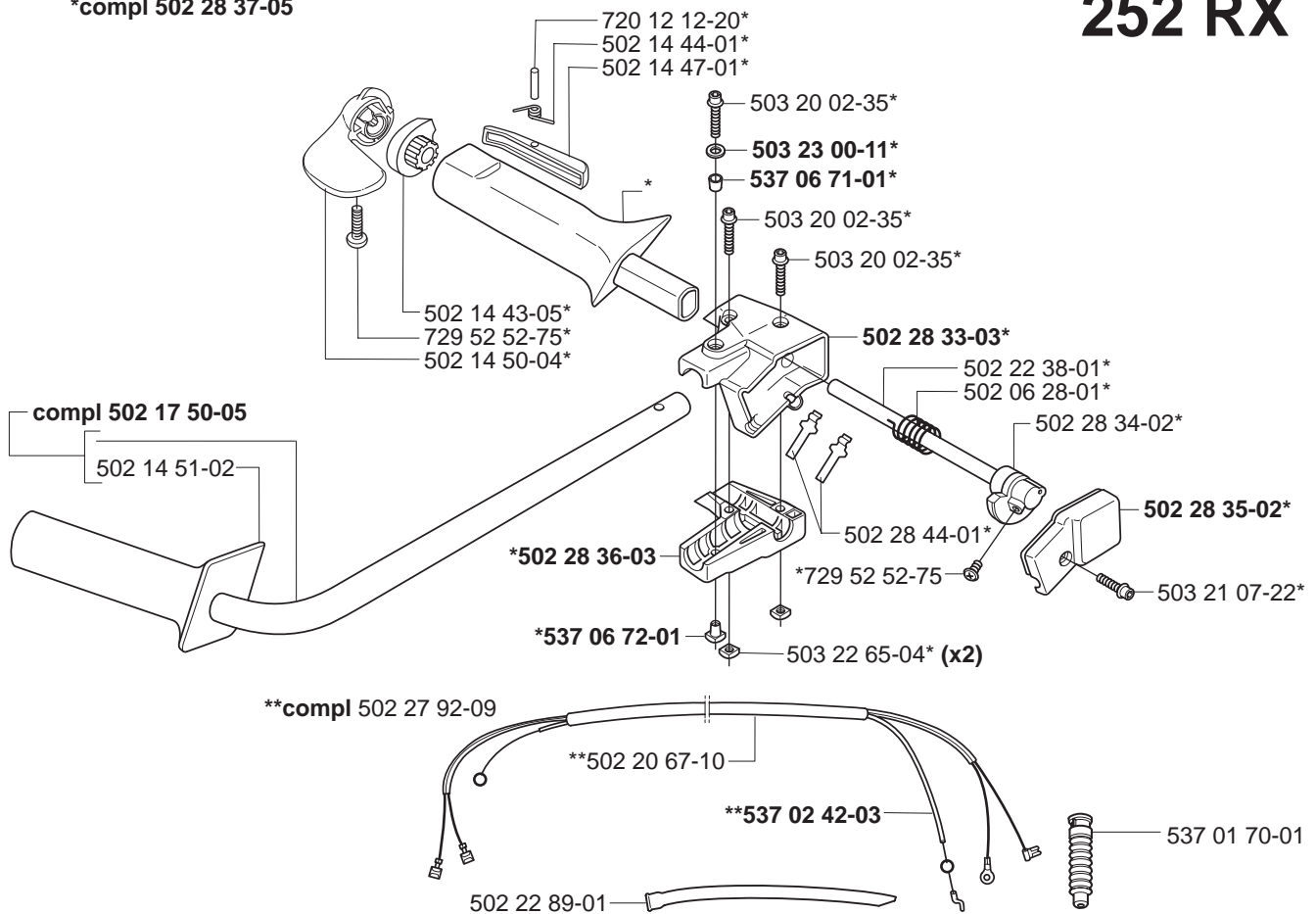
P *compl 502 28 06-14

250 R



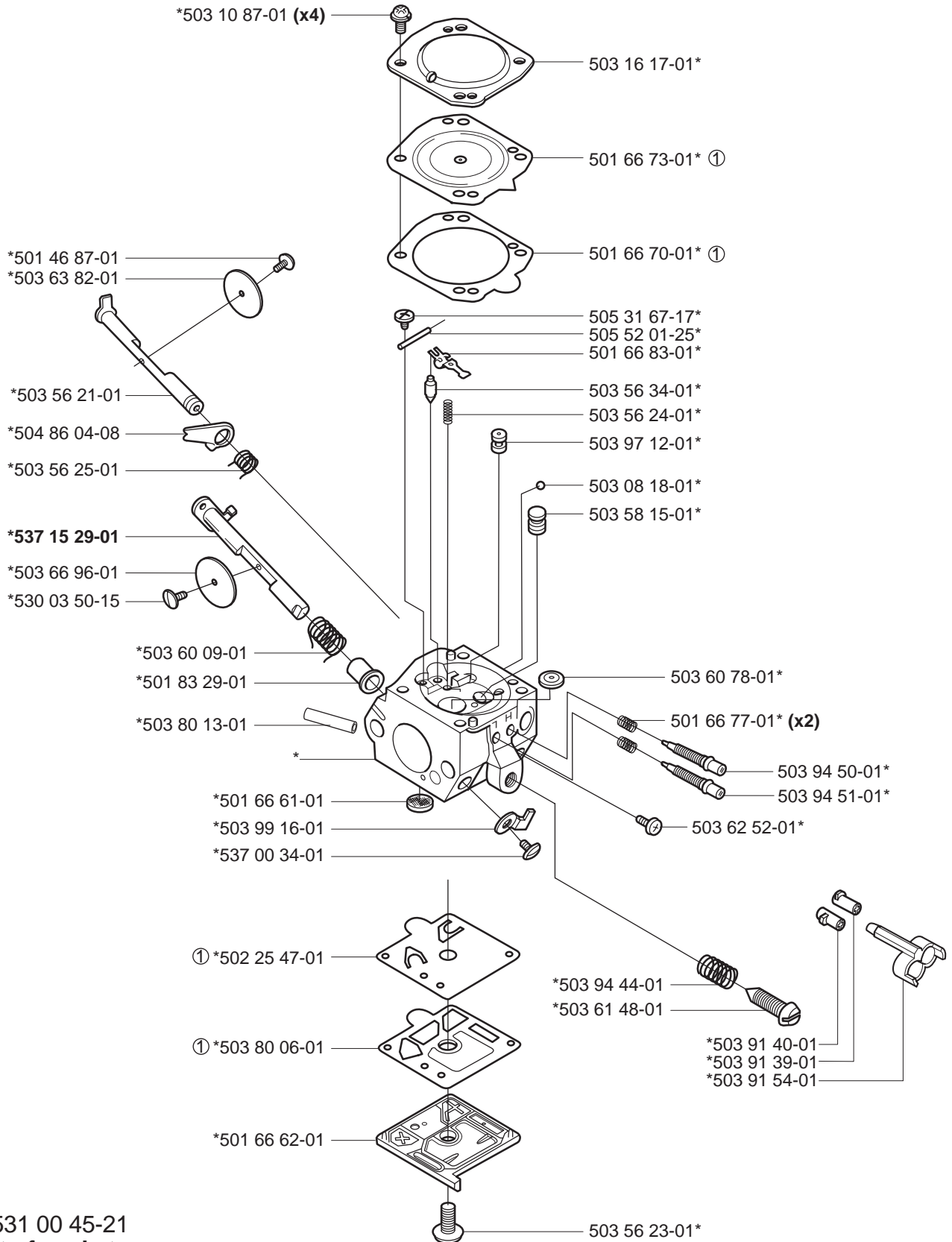
*compl 502 28 37-05

252 RX



Q

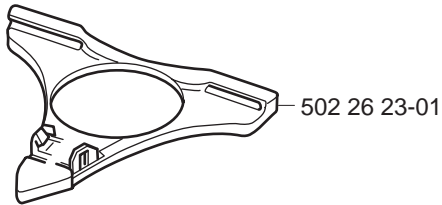
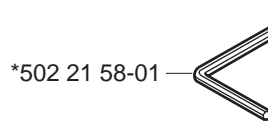
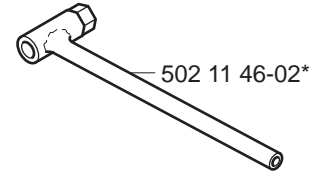
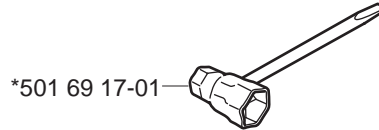
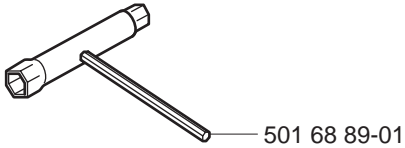
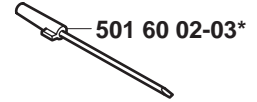
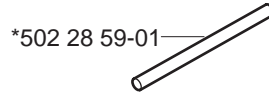
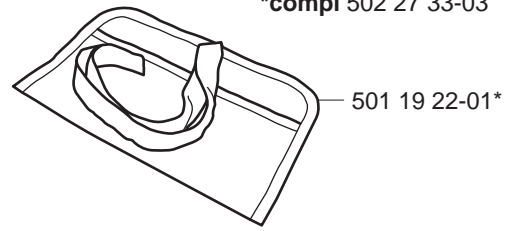
*compl 503 28 18-07 Walbro HDA 187 (EPA)

Walbro HDA-187

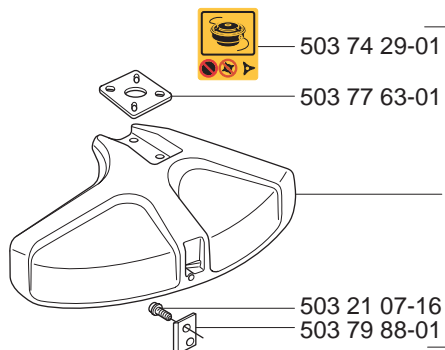
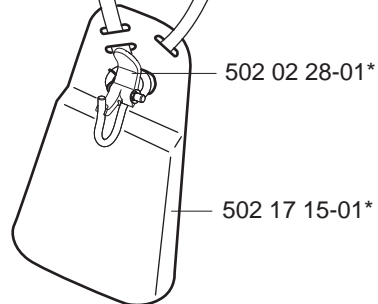
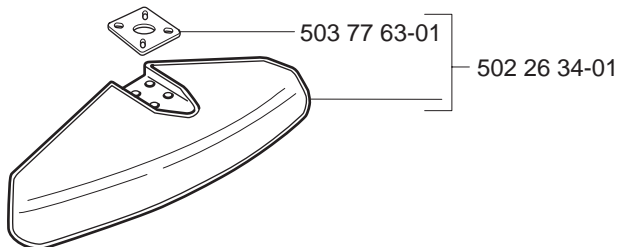
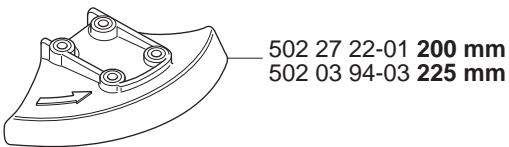
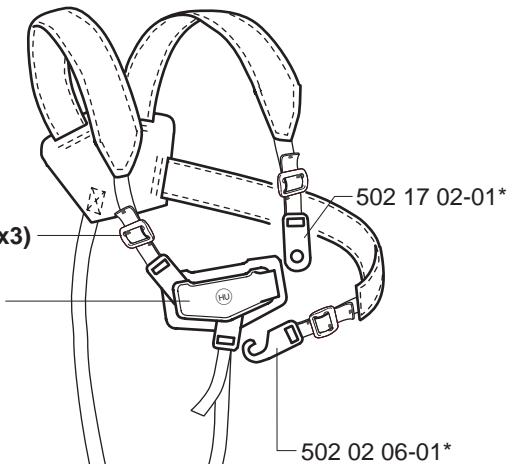
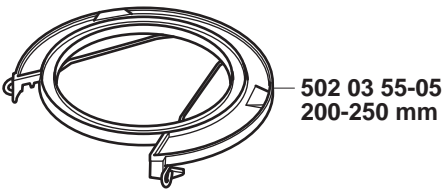
① 531 00 45-21
Set of gaskets
Dichtungssatz
Jeu de joints
Juego de juntas
Packningssats

R Accessories
 Zubehöre
 Accessoires
 Accesorios
 Tillbehör

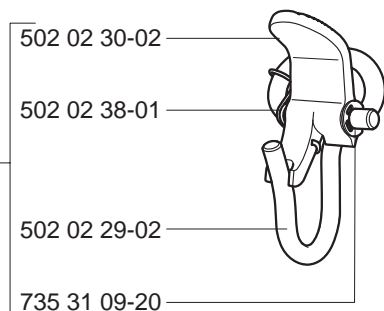
*compl 502 27 33-03



*compl 502 02 00-02
 *compl 502 02 00-03 (USA)

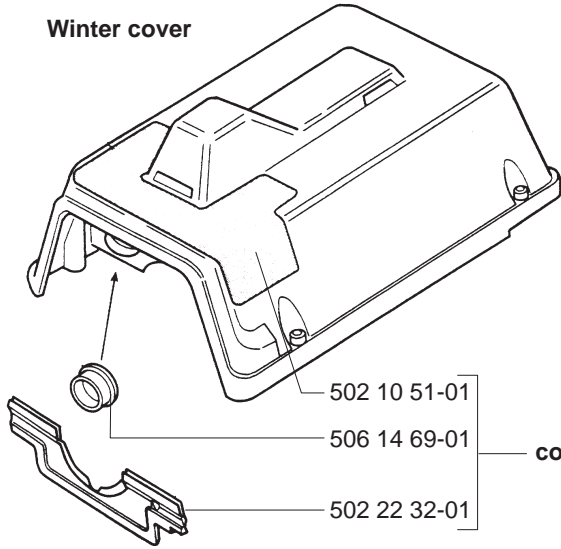


**compl 502 02 28-01

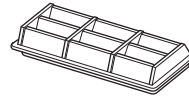


S Delivery as spare part only
Nur als Ersatzteil lieferbar
Livvable seulement comme pièce de rechange
Solo como repuesto
Levereras endast som reservdel

Winter cover



compl 502 22 91-01



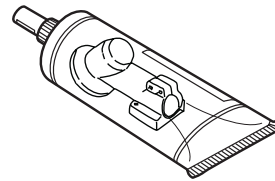
502 17 25-01 (Standard)
502 17 25-02 (Non Woven)

Olja Luftfilter
Oil Airfilter
Öl Luftfilter
Aceite Filtro Air
Huile Filtera aire

1,0 lit.



531 00 60-76



503 97 64-01

250R, 252RX, 250R (EPA), 252RX (EPA)

PART NUMBER	SQUARE NOTE	PART NUMBER	SQUARE NOTE	PART NUMBER	SQUARE NOTE	PART NUMBER	SQUARE NOTE
501 19 22-01	R	502 17 46-01	A	502 28 06-14	P N	503 77 63-01	R
501 27 82-01	N	502 17 50-05	P N	502 28 07-01	K	503 79 41-01	P
501 45 16-01	EF	502 17 92-02	B	502 28 08-01	A	503 79 88-01	R
501 46 57-01	J	502 17 95-03	B	502 28 13-01	N	503 80 06-01	LQ
501 46 69-01	L	502 17 97-02	B	502 28 19-01	K	503 80 13-01	LQ
501 46 87-01	LQ	502 19 71-01	N	502 28 21-01	N	503 82 80-05	N
501 48 54-02	J	502 19 92-01	P	502 28 33-03	P N	503 91 39-01	Q N
501 48 92-01	J	502 19 94-01	P	502 28 34-02	P	503 91 40-01	Q N
501 53 16-01	J	502 20 38-01	N	502 28 35-02	P N	503 91 54-01	Q N
501 54 15-02	J	502 20 67-07	P	502 28 36-03	P N	503 94 27-01	L
501 60 02-03	R	502 20 67-10	P	502 28 37-05	P	503 94 44-01	Q
501 66 61-01	LQ	502 20 68-02	N	502 28 44-01	P	503 94 50-01	Q N
501 66 62-01	LQ	502 20 85-06	P N	502 28 59-01	R	503 94 51-01	Q N
501 66 67-01	L	502 20 86-06	P N	502 28 62-01	M	503 97 12-01	Q N
501 66 70-01	LQ	502 21 12-01	P	502 28 63-01	M	503 97 64-01	S
501 66 73-01	LQ	502 21 26-28	D N	503 08 18-01	Q N	503 99 16-01	Q N
501 66 77-01	LQ	502 21 26-29	D N	503 10 87-01	LQ	503 99 75-01	N
501 66 78-01	L	502 21 58-01	R	503 16 17-01	Q N	503 99 76-01	N
501 66 83-01	LQ	502 22 15-01	N	503 17 63-01	L	504 02 72-13	L
501 67 67-03	E	502 22 16-01	N	503 20 02-10	K	504 12 31-02	A
501 68 89-01	R	502 22 19-01	N	503 20 02-16	HKMN	504 86 04-08	LQ
501 69 17-01	R	502 22 32-01	DS	503 20 02-20	BC	505 27 75-16	J
501 76 83-30	N	502 22 38-01	P	503 20 02-25	N	505 30 51-25	K
501 83 29-01	Q N	502 22 46-05	D N	503 20 02-30	M	505 31 67-17	LQ
501 86 21-02	E	502 22 54-01	B	503 20 02-35	NP N	505 52 01-25	LQ
501 86 25-02	A	502 22 55-01	B	503 20 02-45	N	506 14 69-01	S
502 02 00-02	R	502 22 59-01	A	503 20 03-16	A	530 03 50-15	LQ
502 02 00-03	R	502 22 71-07	A N	503 20 20-06	BC	531 00 45-21	LQ
502 02 01-01	R	502 22 73-01	M	503 20 25-20	J	531 00 60-76	S N
502 02 06-01	R	502 22 77-02	E	503 20 28-22	D	537 00 34-01	Q N
502 02 28-01	R	502 22 79-01	E	503 20 29-85	H	537 00 76-01	N
502 02 29-02	R	502 22 83-01	K	503 21 06-16	N	537 01 40-03	N N
502 02 30-02	R	502 22 89-01	GP	503 21 06-19	N	537 01 40-04	N N
502 02 38-01	R	502 22 91-01	S	503 21 06-32	N	537 01 70-01	AP
502 03 10-03	M	502 22 94-01	G	503 21 07-16	R	537 02 42-03	P N
502 03 47-01	H	502 25 29-01	A	503 21 07-22	P	537 02 42-04	P N
502 03 55-05	R	502 25 45-01	L	503 21 27-10	H	537 02 76-02	N
502 03 94-03	R	502 25 46-01	L	503 22 10-12	N	537 04 02-01	D N
502 04 15-05	N	502 25 47-01	LQ	503 22 21-02	BCJ	537 04 36-01	H N
502 04 55-01	M	502 25 90-01	J	503 22 65-04	P N	537 04 82-01	C
502 05 08-74	F	502 26 01-01	G	503 23 00-05	J	537 04 83-01	C
502 05 24-04	A	502 26 05-02	G	503 23 00-11	KP N	537 05 67-01	C
502 05 42-01	J	502 26 23-01	R	503 23 00-62	N	537 06 28-01	C
502 06 28-01	P	502 26 31-01	BC	503 23 51-08	E	537 06 31-01	C
502 10 18-01	D N	502 26 34-01	R	503 23 51-11	E	537 06 71-01	P N
502 10 51-01	S	502 26 36-02	AL	503 26 02-04	G	537 06 72-01	P N
502 11 46-02	R	502 26 89-01	M	503 28 16-19	AL	537 07 09-01	C
502 11 51-04	N	502 26 95-01	M	503 28 18-07	AQ N	537 11 35-01	R N
502 11 59-02	M	502 26 98-01	G	503 28 90-10	E	537 11 64-01	A N
502 11 79-06	P N	502 27 11-02	M	503 28 90-11	E	537 15 00-01	J N
502 14 43-05	P	502 27 12-01	M	503 44 32-01	N	537 15 06-01	H N
502 14 44-01	P	502 27 20-01	K	503 49 69-01	A	537 15 07-01	H N
502 14 47-01	P	502 27 22-01	R	503 52 01-01	L	537 15 29-01	Q N
502 14 50-04	P	502 27 25-01	M	503 54 39-01	K	537 15 51-01	BC N
502 14 51-02	P N	502 27 26-01	M	503 56 21-01	LQ	720 12 12-20	P
502 15 56-01	H	502 27 28-01	M	503 56 23-01	Q N	720 13 07-10	G
502 15 57-02	H	502 27 32-02	N	503 56 24-01	LQ	725 23 82-85	N
502 17 02-01	R	502 27 33-03	R	503 56 25-01	LQ	725 52 89-55	G N
502 17 15-01	R	502 27 34-01	E	503 56 34-01	LQ	725 53 32-55	E
502 17 16-02	A	502 27 35-01	E	503 57 89-01	N	725 53 33-55	BC
502 17 17-01	A	502 27 45-02	A N	503 58 15-01	Q N	725 53 35-55	G
502 17 19-03	A	502 27 49-01	L	503 60 09-01	LQ	725 53 43-55	G
502 17 20-03	K	502 27 63-01	N	503 60 78-01	LQ	729 52 52-75	KP
502 17 21-01	K	502 27 64-01	N	503 61 48-01	LQ	735 11 46-50	G
502 17 22-03	K N	502 27 78-01	B	503 62 52-01	LQ	735 11 64-50	BCJ
502 17 25-01	S	502 27 81-01	N	503 63 82-01	Q N	735 31 09-20	R
502 17 25-02	S	502 27 92-09	P	503 66 96-01	Q N	735 31 17-00	M
502 17 28-02	K	502 27 92-10	P	503 71 82-01	P	735 31 33-10	BC
502 17 33-02	G	502 28 03-01	N	503 73 45-01	N	737 44 10-00	E
502 17 35-05	G	502 28 04-01	G N	503 74 29-01	R	738 21 01-00	M

N = New part
 Neues teil
 Nouvelle piece
 Nueva pieza
 Ny detalj

EPA = Environmental Protection Agency
 (for USA only)

250R, 252RX, 250R (EPA), 252RX (EPA)

PART NUMBER SQUARE NOTE	PART NUMBER SQUARE NOTE	PART NUMBER SQUARE NOTE	PART NUMBER SQUARE NOTE
738 21 02-00 M 738 22 02-19 BC 738 22 02-25 F 740 42 22-00 G 740 44 08-00 M 740 51 13-01 M			