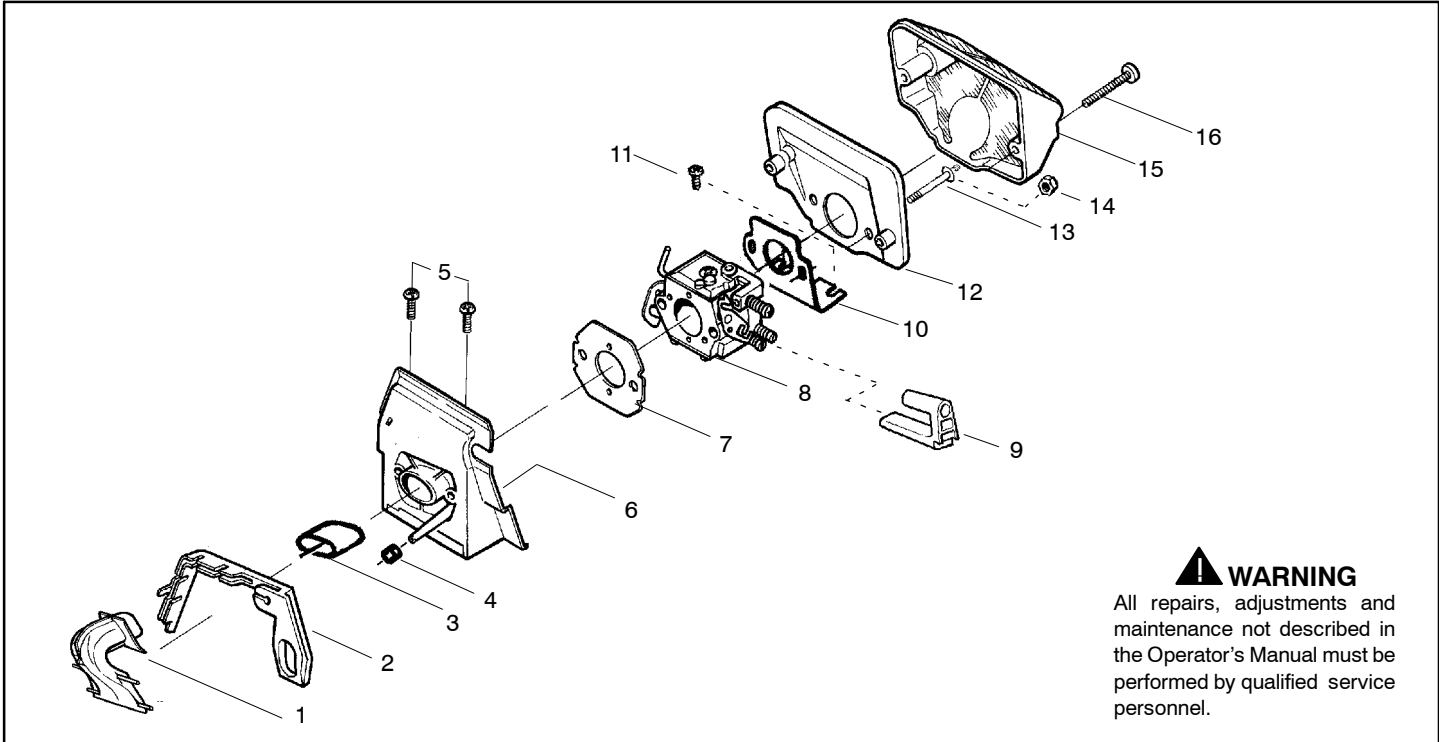


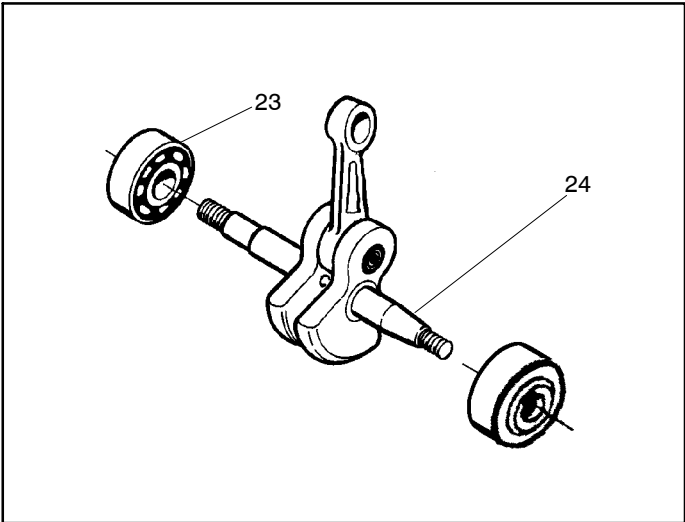
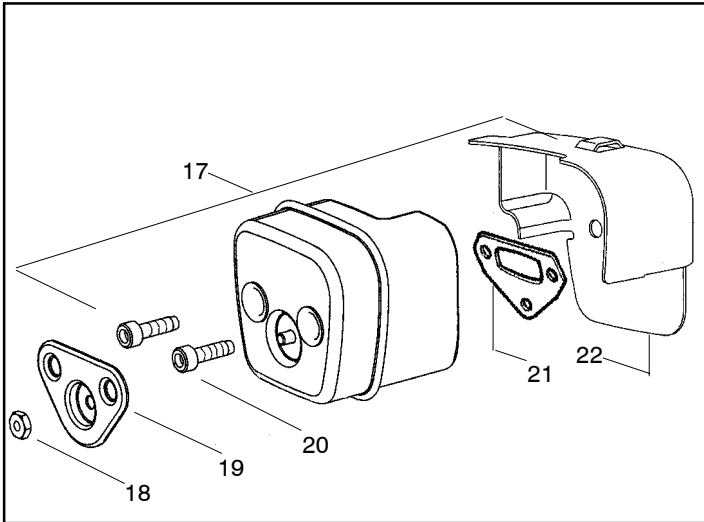
137/ 137e

Spare parts



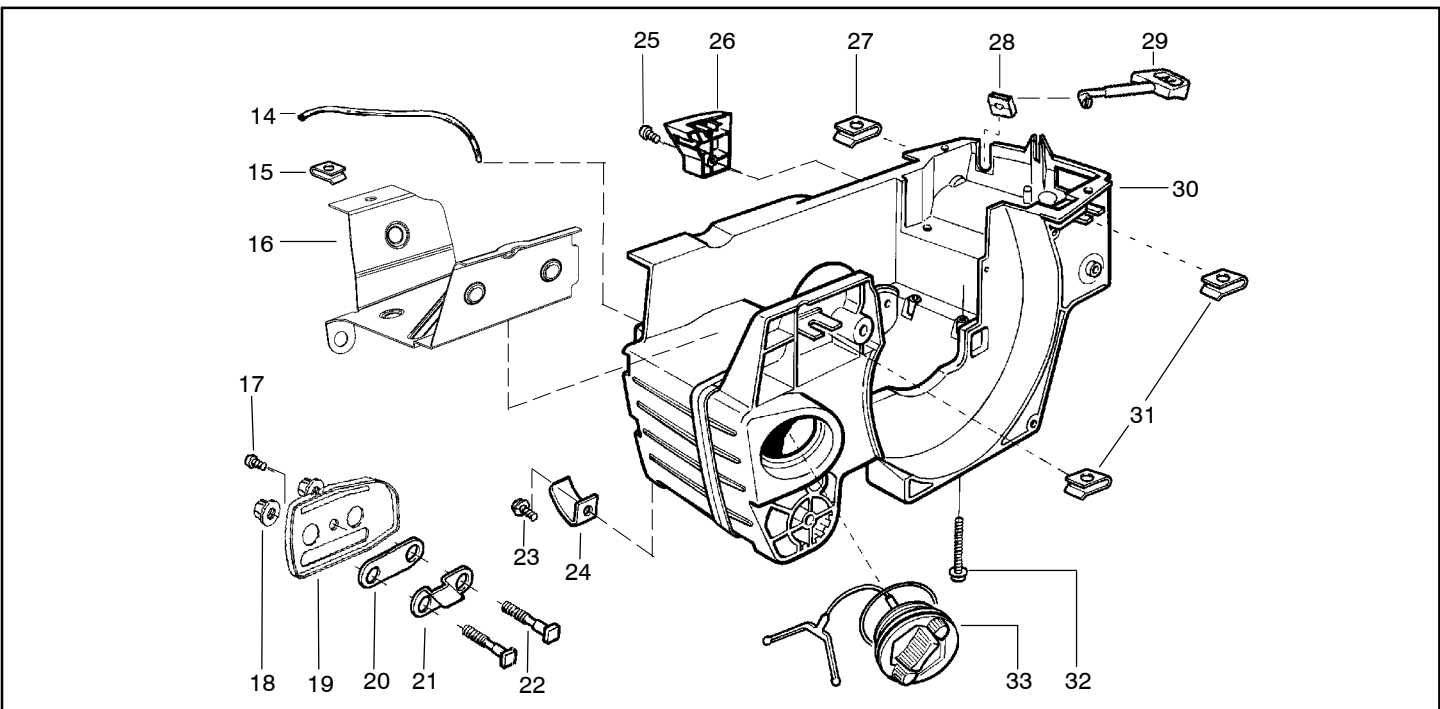
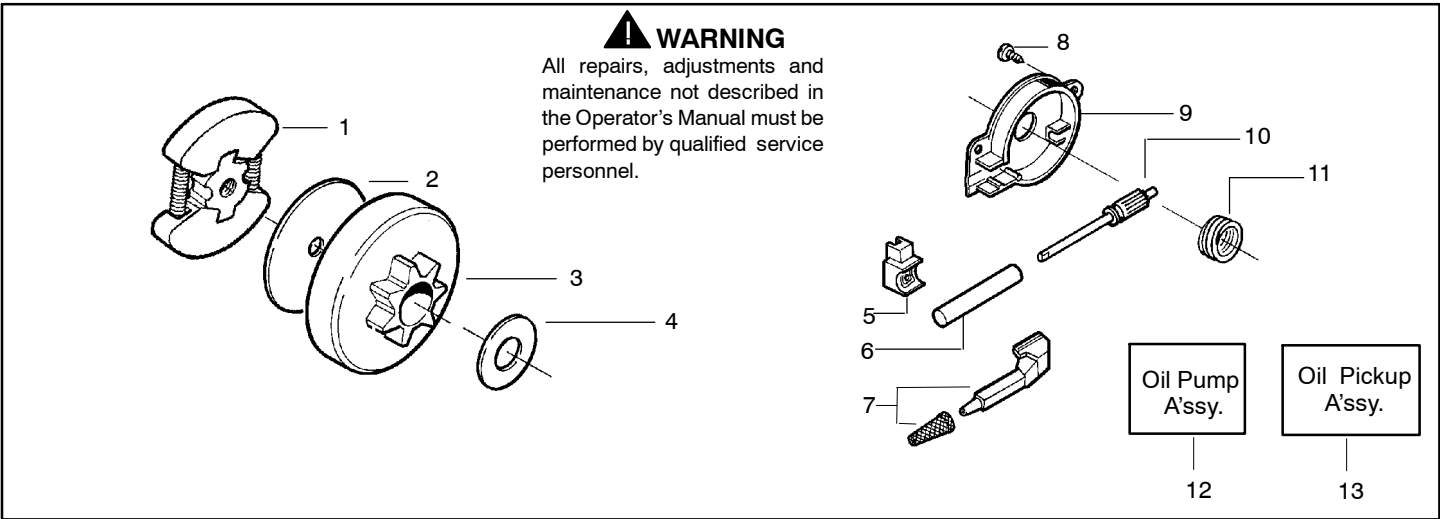
⚠ WARNING

All repairs, adjustments and maintenance not described in the Operator's Manual must be performed by qualified service personnel.



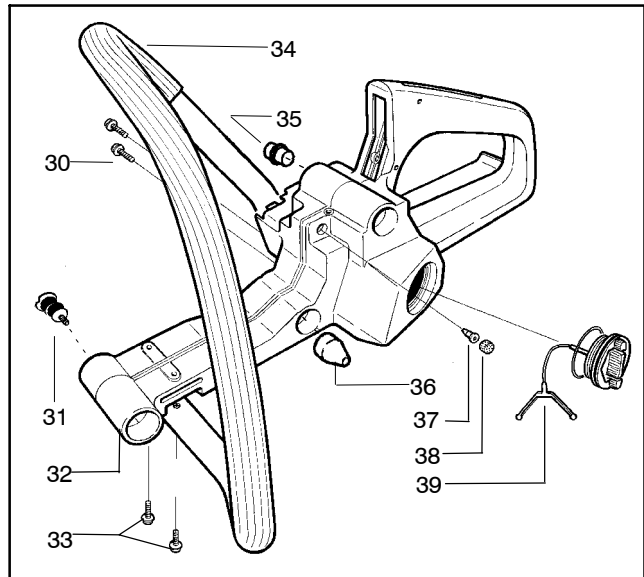
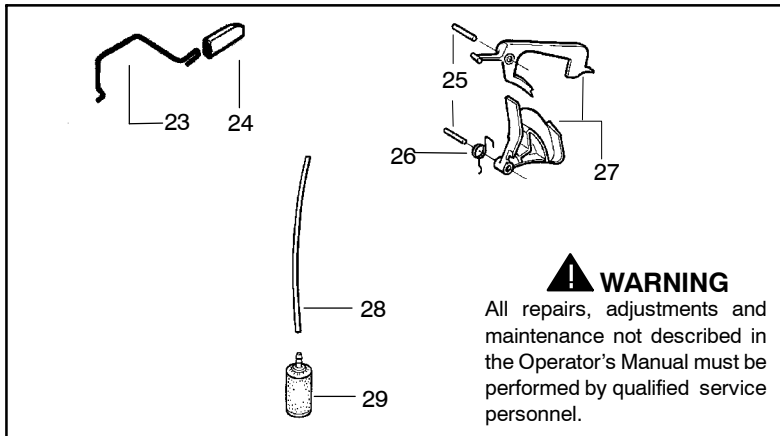
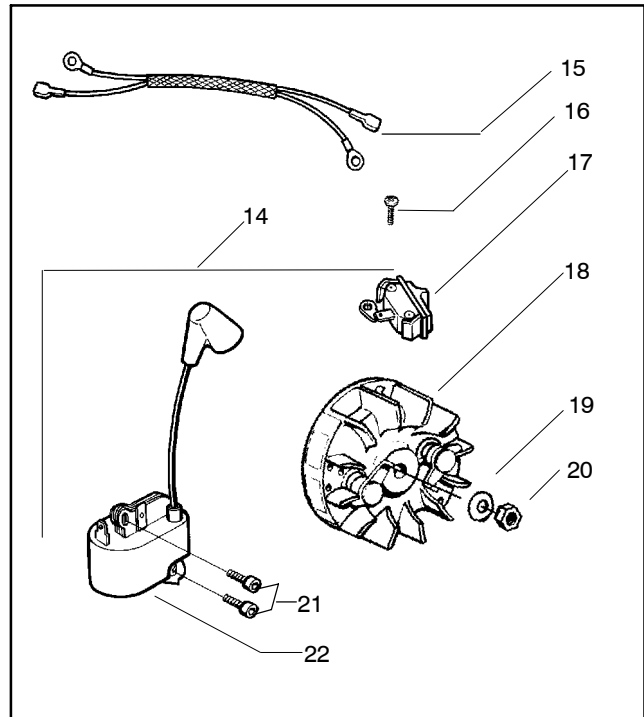
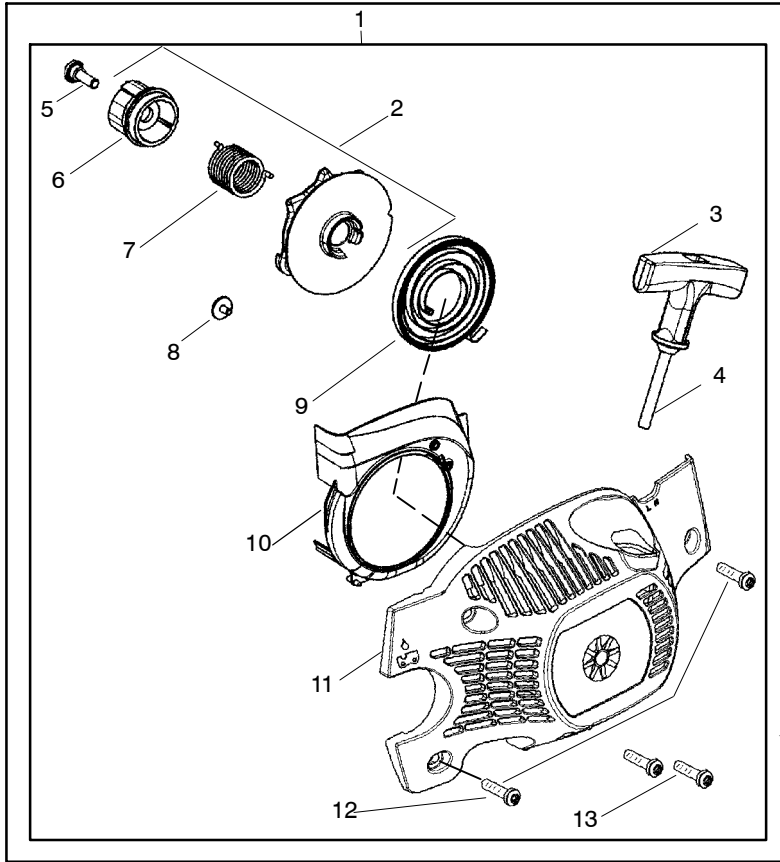
| Ref. | Part No. | Description | Ref. | Part No. | Description |
|------|--------------|------------------------|------|-----------|-----------------------------------|
| 1 | 530029813 | Assy-Turbo Air Cleaner | 13 | 530015968 | Stud - Carb. |
| 2 | 530019203 | Seal - Turbo Clean | 14 | 530016008 | Nut |
| 3 | 530029814 | Sleeve-Intake | 15 | 530029811 | Air-Filter - Top |
| 4 | 530053435 | Seal-Impulse | 16 | 530015899 | Screw |
| 5 | 530015814 | Screw | 17 | 530071511 | Kit-Muffler (Includes 20,21 & 22) |
| 6 | 530037465 | Adapter - Carb. | 18 | 530016359 | Nut-Brass |
| 7 | 530019172 | Gasket-Carburetor | 19 | 530055600 | Cover-Bolt |
| 8 | 530071987-01 | Carburetor-W-29 | 20 | 530016338 | Bolt-Muffler |
| 9 | 530035587 | Grommet-Final | 21 | 530055128 | Gasket-Muffler |
| 10 | 530047767 | Plate - Support | 22 | 530055171 | Backplate-Muffler |
| 11 | 530015896 | Screw | 23 | 530056363 | Assy. -Bearing and Seal |
| 12 | 530036582 | Air Filter - Bottom | 24 | 530029794 | Assy-Crankshaft & Rod |

✓ = NEW PART NUMBER FOR THIS IPL
 ● = THESE PARTS ARE ILLUSTRATED FOR CLARITY. ORDER COMPLETE ASSEMBLY.



| Ref. | Part No. | Description | Ref. | Part No. | Description |
|------|-----------|---|------|--------------|----------------------|
| 1 | 530014949 | Assy-Clutch | 19 | 530047855 | Plate-Bar |
| 2 | 530015611 | Washer-Clutch | 20 | 530019228 | Gasket |
| 3 | 530047061 | Assy-Clutch Drum | 21 | 530036043 | Plate-Bar Stud |
| 4 | 530015907 | Washer-Thrust | 22 | 530015877 | Bar Bolt |
| 5 | 530019174 | Seal-Oil | 23 | 530015878 | Screw |
| 6 | 530029834 | Barrel-Oil Pump | 24 | 530029850 | Chain Catcher |
| 7 | 530014776 | Assy-Oil Pick-Up and Screen | 25 | 530015893 | Screw |
| 8 | 530015896 | Screw | 26 | 530052428 | Cover |
| 9 | 530029835 | Housing-Oil Pump | 27 | 530015922 | Nut-Type "U" Speed |
| 10 | 530029838 | Assy-Plunger & Gear | 28 | 530029830 | Grommet |
| 11 | 530029833 | Worm-Oil Pump | 29 | 530029831 | Lever-Choke |
| 12 | 530014410 | Assy-Oil Pump (Includes 6,9 & 10) | 30 | 530071991-01 | Kit - Chassis Ass'y. |
| 13 | 530069385 | Assy-Oil Pickup (Includes #5, 7, 8, 19) | 31 | 530015922 | Nut-Type "U" Speed |
| 14 | 530052440 | Tube-Oil Vent | 32 | 530016037 | Screw |
| 15 | 530055322 | Clip-Retainer | 33 | 501765602 | Assy.- Oil Tank Cap |
| 16 | 530055174 | Shield-Heat | | | |
| 17 | 530015896 | Screw (optional) | | | |
| 18 | 530015917 | Nut | | | |

✓ = NEW PART NUMBER FOR THIS IPL * = REFER TO THE SERVICE REFERENCE INDICATED FOR MORE INFORMATION. (LOCATED AT END OF IPL)
 ● = THESE PARTS ARE ILLUSTRATED FOR CLARITY. ORDER COMPLETE ASSEMBLY.



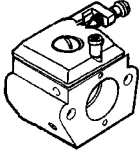
⚠ WARNING

All repairs, adjustments and maintenance not described in the Operator's Manual must be performed by qualified service personnel.

| Ref. | Part No. | Description | Ref. | Part No. | Description | Ref. | Part No. | Description |
|------|--------------|--|------|--------------|-------------------------------------|------|-----------|------------------------|
| 1 | 530071968-01 | Kit-Fan Hsg / Starter (Incl. 2, 3, 4, 5, 6, 7, 8, 9, 10, 11, 12, 13) | 13 | 530015892 | Screw | 26 | 530029861 | Spring |
| 2 | 530071966-01 | Kit-Starter EPS (Incl. 5,6,7,8) | 14 | 530071967-01 | Kit-EPS ignition (Incl. 17, 18, 22) | 27 | 530069587 | Kit - Throttle Trigger |
| 3 | 530038491 | Handle-Starter | 15 | 530403257 | Assy-Leadwire | 28 | 530069247 | Kit - Fuel line |
| 4 | 530069232 | Kit-Rope | 16 | 530015896 | Screw | 29 | 530014497 | Assy.- Fuel Pickup |
| 5 | 530021179 | Screw-shoulder | 17 | 503717901 | Switch-Ignition | 30 | 530015940 | Screw |
| 6 | 530059677 | Hub | 18 | 530059637 | Assy. -Flywheel | 31 | 530029870 | Element - AV Isolator |
| 7 | 530021180 | Spring-EPS | 19 | 530015127 | Washer-Flywheel | 32 | 530055613 | Assy. -Tank/Handle |
| 8 | 530016392 | Screw | 20 | 530016134 | Nut | 33 | 530015843 | Screw |
| 9 | 530042095 | Spring-Starter | 21 | 530015895 | Screw | 34 | 530059961 | Handle-Front |
| 10 | 530059959 | Baffle-Air | 22 | 530039239 | Module - Ignition | 35 | 530052439 | Isolator-Front Handle |
| 11 | 530059958 | Assy-Fan Hsg. w/eyelet | 23 | 530029869 | Wire - Throttle | 36 | 530029984 | Isolator |
| 12 | 530015893 | Screw | 24 | 530029863 | Cap - Wire | 37 | 530026119 | Valve - Check |
| | | | 25 | 530029860 | Pin | 38 | 530038264 | Plug - Vent |
| | | | | | | 39 | 530071266 | Kit-Assy. Fuel Cap |

✓ = NEW PART NUMBER FOR THIS IPL * = REFER TO THE SERVICE REFERENCE INDICATED FOR MORE INFORMATION. (LOCATED AT END OF IPL)
 ● = THESE PARTS ARE ILLUSTRATED FOR CLARITY. ORDER COMPLETE ASSEMBLY.

Kit - Carburetor Assembly No. 530071987-01 - Zama W-29



| |
|-----------------------|
| Carb Repair Kit |
| |
| 1 |

| Ref. | Part No. | Description |
|------|-----------|------------------------------|
| 1. | 530035269 | Kit-Carburetor Repair (Zama) |

WARNING

All repairs, adjustments and maintenance not described in the Operator's Manual must be performed by qualified service personnel.

✓ = NEW PART NUMBER FOR THIS IPL ★ = REFER TO THE SERVICE REFERENCE INDICATED FOR MORE INFORMATION. (LOCATED AT END OF IPL)
● = THESE PARTS ARE ILLUSTRATED FOR CLARITY. ORDER COMPLETE ASSEMBLY.

RECOMMENDED PARTS, ACCESSORIES, LUBRICANTS

137 CHAINSAW

| | <u>Item</u> | <u>Part Number</u> | <u>Description</u> |
|---------------------------------|-----------------------|--------------------|---|
| Normal Maintenance Parts | Air Filter | 530 02 98-11 | |
| | Spark Plug | 952 03 01-50 | |
| | Fuel Filter | 530 01 44-97 | |
| | Clutch Drum | 530 04 70-61 | |
| | Ignition Module | 530 03 92-39 | |
| | Starter Housing Assy. | 530 05 99-58 | |
| | Switch On/Off | 503 71 79-01 | |
| | Front Handle | 530 05 99-61 | |
| | Chain Brake | 530 05 48-02 | |
| | Oil Pump Assy. | 530 01 44-10 | |
| | Fuel Cap | 530 01 59-17 | |
| | Oil Cap | 501 76 56-02 | |
| | Bar Nut | 530 01 59-17 | |
| | <u>Item</u> | <u>Part Number</u> | <u>Description</u> |
| Chainsaw Accessories | Bar | 501 95 92-56 | 16" Consumer Bar (3/8"),(.050") |
| | Chain | 501 84 69-56 | H36-56, 16" Chain (3/8"),(.050") |
| | Carrying Case | 100 00 01-07 | Orange Carrying Case with 20" Bar Protector |
| | File Kit | 505 69 81-93 | File Kit includes: File handle, Combination file guide, 2 round files, and 1 flat file. Use with H36 chain. |
| | <u>Item</u> | <u>Part Number</u> | <u>Description</u> |
| Lubricants | Bar and Chain | 610 00 00-14 | Bar and Chain Lubricant - 1 Quart |
| | | 610 00 00-34 | Bar and Chain Lubricant - 1 Gallon |
| | XP Premium | 610 00 00-85 | XP Premium - 2.6 oz (1 Gallon Mix) |
| | | 610 00 00-82 | XP Premium - 6.4 oz (2.5 Gallon Mix) |
| | <u>Item</u> | <u>Part Number</u> | <u>Description</u> |
| Protective Apparel | Protective Glasses | 605 00 04-15 | Lexa- Clear lens |
| | | 605 00 04-16 | Lexa- Grey lens |
| | Helmets | 505 67 53-15 | Helmet System (Husqvarna) |
| | Protective Gloves | 531 30 02-73 | Xtreme Duty Work Gloves (Medium) |
| | | 531 30 02-74 | Xtreme Duty Work Gloves (Large) |
| | | 531 30 02-75 | Xtreme Duty Work Gloves (X-Large) |
| | Chaps | 605 00 00-13 | Pro Forest Apron Chaps (Navy Blue) |
| | | 605 00 00-14 | Pro Forest Apron Chaps (Orange) |