

HOMELITE

UT10540, UT10542 / 14 in. 35cc CHAIN SAW

UT10560, UT10562 / 16 in. 38cc CHAIN SAW

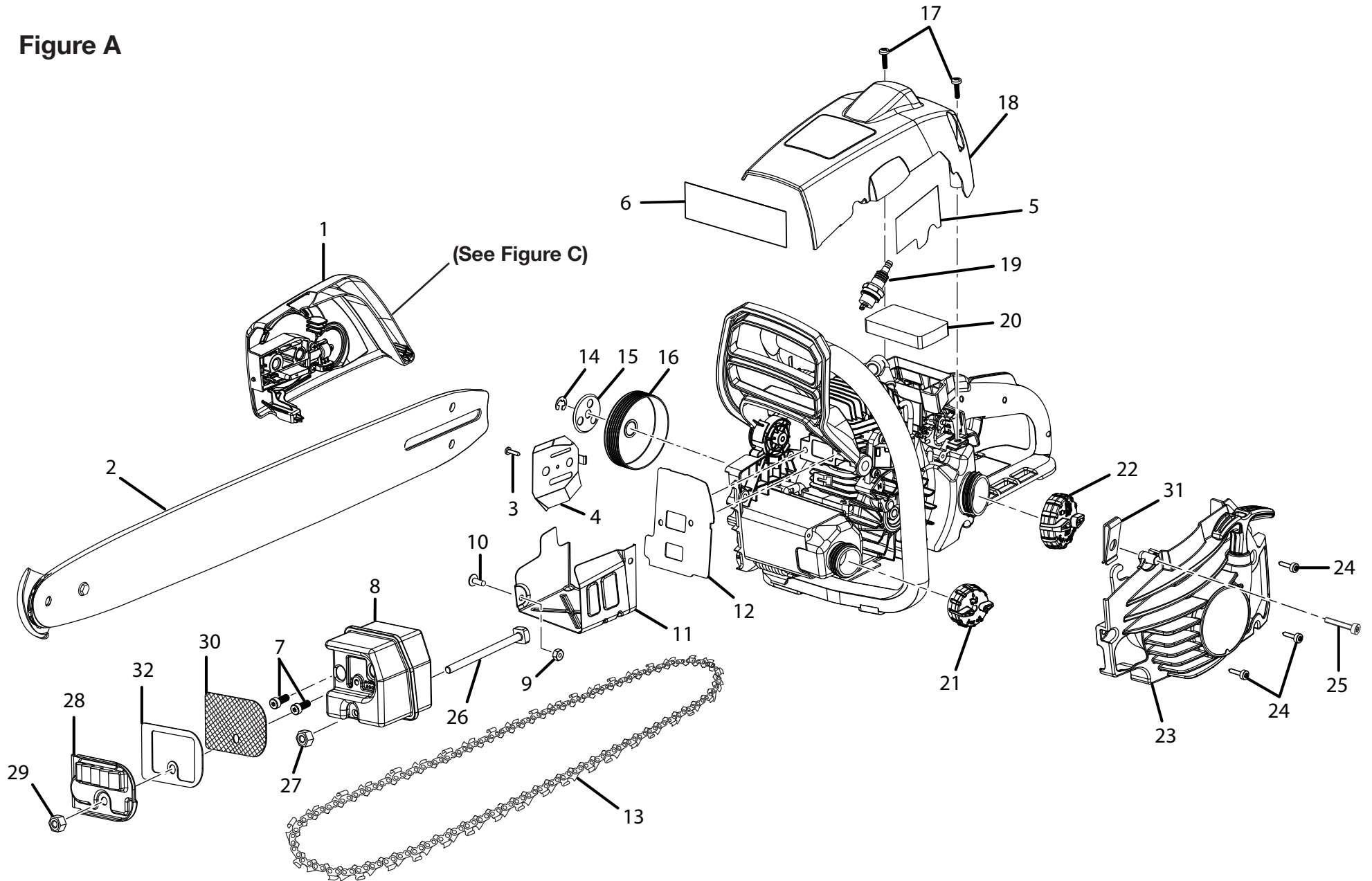
UT10580, UT10582 & UT10918 / 18 in. 42cc CHAIN SAW

(ALL VERSIONS)

REPAIR SHEET

HOMELITE 35cc/38cc/42cc CHAIN SAWS MODEL NOs. UT10540, UT10542,
UT10560, UT10562, UT10580, UT10582 & UT10918 (ALL VERSIONS)

Figure A



**HOMELITE 35cc/38cc/42cc CHAIN SAWS MODEL NOs. UT10540, UT10542,
UT10560, UT10562, UT10580, UT10582 & UT10918 (ALL VERSIONS)**

The model number will be found on a label attached to the engine housing. Always mention the model number in all correspondence regarding your **CHAIN SAW** or when ordering repair parts.

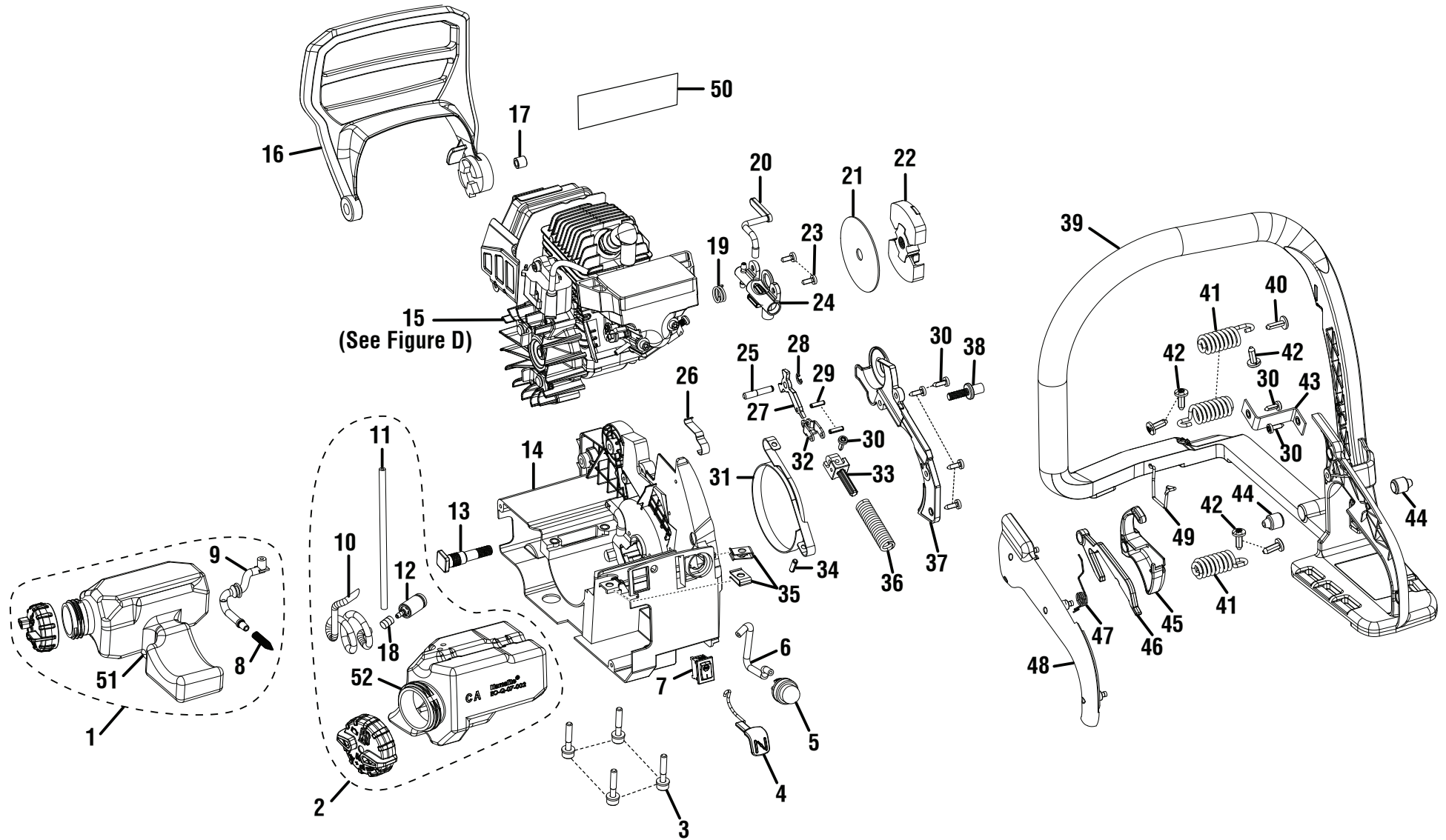
PARTS LIST (FIGURE A)

KEY NO.	PART NUMBER	DESCRIPTION	QTY	KEY NO.	PART NUMBER	DESCRIPTION	QTY
1	310508001	Chain Cover Assembly.....	1	25	660548001	Screw (10-16 x 24 mm, T25 Torx)	1
2		Guide Bar (with SAFE-T-TIP):		26	660626002	Screw (#10-32 x 2.8)	1
	310625001	UT10540, UT10542 — 14 in.....	1	27	671079001	Nut (#10-32).....	1
	310626001	UT10560, UT10562 — 16 in.....	1	28	638513003	Exhaust Cover	1
	310627001	UT10580, UT10582, UT10918 — 18 in.....	1	29	678065002	Nut, Muffler.....	1
3	660619001	Screw (6-19 x 1/2 in.)	1	30	638514002	Screen	1
4	638515001	Inner Guide Plate.....	1	31	671077004	U-Nut.....	1
5	700150004	Heat Shield.....	1	32	901653004	Exhaust Cover Gasket.....	1
6	700150002	Heat Shield.....	1				
7	660612001	Screw (1/4-20 x 5/8 in.)	2	Not Shown:			
8	309315001	Muffler Assembly	1			Scabbard:	
9	678027001	Lock Nut (10-24).....	1	580438003	UT10540, UT10542 — 14 in.....	1	
10	660754001	Screw (10-24 x 5/8 in.)	1	518061003	UT10560, UT10562 — 16 in.....	1	
11	638278001	Heat Shield.....	1	518061001	UT10580, UT10582, UT10918 — 18 in.....	1	
12	901653001	Muffler Gasket.....	1			Starter Cover Labels:	
13		Chain (3/8 in.):		940656013	UT10540, UT10542 - 35 cc.....	1	
	901212001	UT10540, UT10542 — 52 link, 14 in.	1	940635044	UT10560, UT10562 - 38 cc.....	1	
	901212002	UT10560, UT10562 — 56 link, 16 in.	1	940635045	UT10580, UT10582, UT10918 - 45 cc	1	
	671258001	UT10580, UT10582, UT10918 — 62 link, 18 in.	1			Warning Labels:	
14	671103001	E-Clip.....	1	940777002	UT10540, UT10542 - 35 cc.....	1	
15	678620001	Clutch Washer	1	940777003	UT10560, UT10562 - 38 cc.....	1	
16	309410001	Sprocket Drum and Bearing Assembly (.375 chain)	1	940777004	UT10580, UT10582, UT10918 - 42 cc	1	
17	660504001	Screw (10-16 x 16 mm)	2	940797038	UT10540, UT10542 - 35 cc.....	1	
18	518776001	Cylinder Cover.....	1	940797039	UT10560, UT10562 - 38 cc.....	1	
19	870170001	Spark Plug (Champion RCJ4)	1	940797040	UT10580, UT10582, UT10918 - 42 cc	1	
20	901652001	Air Filter	1	940734033	Starting Instruction Label	1	
21	310560001	Oil Cap Assembly	1	940793001	Chain Brake Label.....	1	
22	310561004	Fuel Cap Assembly	1	631055001	Combination Wrench (UT10526 only)	1	
23	310502001	Starter Cover Assembly	1	987000339	Operator's Manual (960404001)		
24	660505001	Screw (M4 x 17 mm)	3	1-11-10			
				(Rev:06)			

[Order Homelite Chainsaw Parts on eBay](https://www.ebay.com/str/homelite)

HOMELITE 35cc/38cc/42cc CHAIN SAWS MODEL NOs. UT10540, UT10542,
UT10560, UT10562, UT10580, UT10582 & UT10918 (ALL VERSIONS)

Figure B



**HOMELITE 35cc/38cc/42cc CHAIN SAWS MODEL NOs. UT10540, UT10542,
UT10560, UT10562, UT10580, UT10582 & UT10918 (ALL VERSIONS)**

The model number will be found on a label attached to the engine housing. Always mention the model number in all correspondence regarding your **CHAIN SAW** or when ordering repair parts.

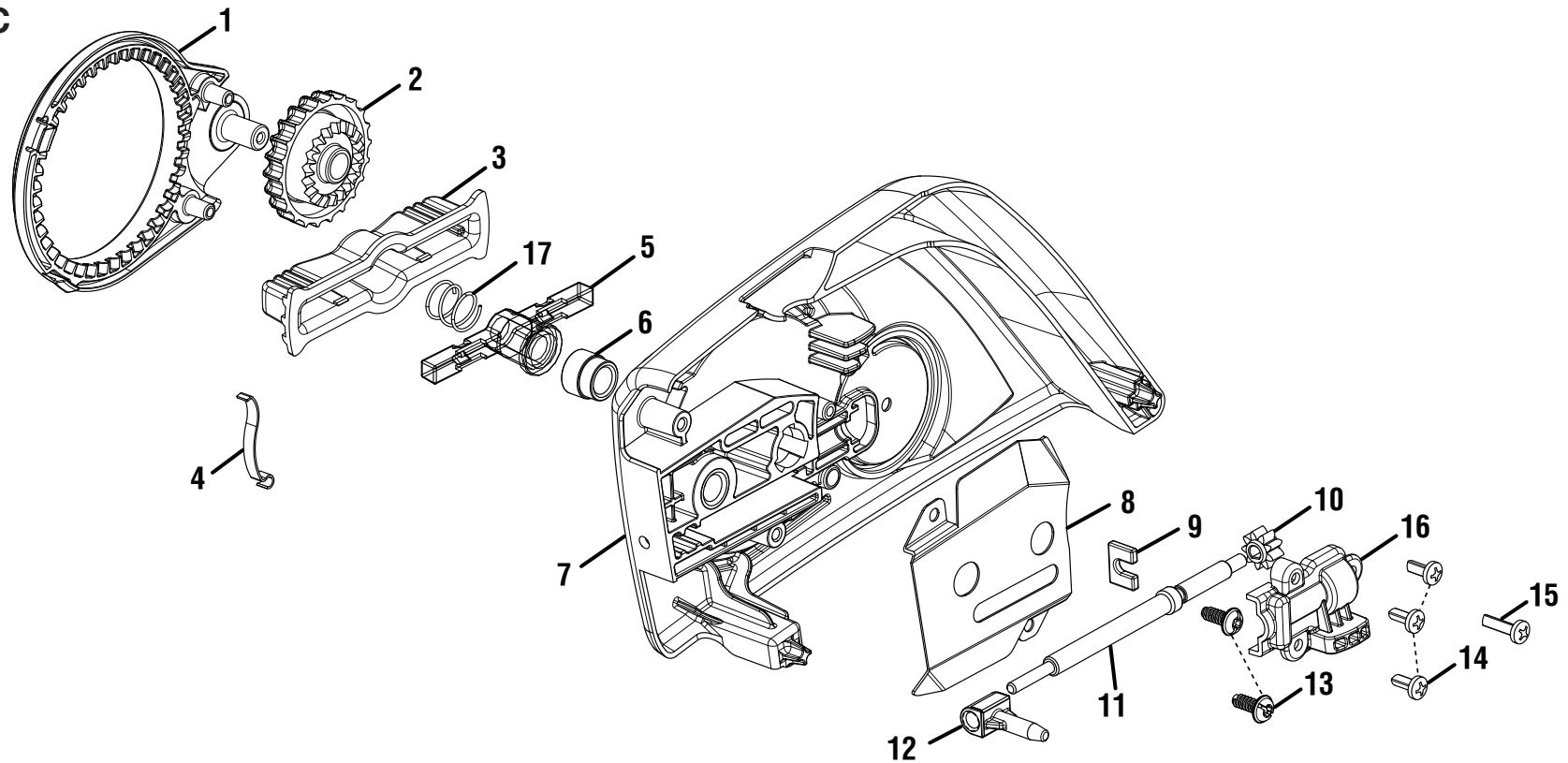
PARTS LIST (FIGURE B)

KEY NO.	PART NUMBER	DESCRIPTION	QTY	KEY NO.	PART NUMBER	DESCRIPTION	QTY
1	310550001	Oil Tank & Cap Assembly (Inc. Key Nos. 8-9 and 51).....	1	27	678060001	Chain Break Pivot.....	1
2	310551001	Fuel Tank & Cap Assembly (Inc. Key Nos. 10-12, 18 and 52).....	1	28	671075001	E-Ring.....	1
3	660609001	Screw (M5 x 28 mm)	4	29	671099001	Spring Pin.....	2
4	518760001	Choke Lever	1	30	660608001	Screw (M4 x 12 mm)	7
5	300780002	Primer Bulb.....	1	31	638502001	Brake Band.....	1
6	570247013	Primer Bulb Inlet Tube	1	32	678058001	Chain Brake Linkage	1
7	760338002	Switch.....	1	33	518754001	Spring Guide	1
8	671090001	Cone Spring	1	34	671095001	Spring Pin.....	1
9	570097001	Oil Pump Inlet Tube	1	35	671077003	Speed Nut ("U"-Type).....	2
10	570259012	Fuel Line Inlet	1	36	678057001	Chain Brake Spring	1
11	570247014	Fuel Line (L=210 mm).....	1	37	518819001	Chain Brake Cover	1
12	300759005	Fuel Filter.....	1	38	678056001	Bar Bushing.....	1
13	660503001	Guide Bar Bolt (M8 x 42.3 mm).....	1	39	518755001	Rear Handle.....	1
14	310501001	Main Chassis.....	1	40	660630001	Screw (10-24 x 5/8 in.)	1
15	309643001	Engine Assembly	1	41	678069001	Isolator Spring	3
16	518756001	Front Hand Guard.....	1	42	660614001	Screw (10-14 x 16 mm)	5
17	678602001	Hand Guard Insert.....	1	43	901654001	Anti-Vibe Strap	1
18	690765001	Hose Clamp.....	1	44	570095001	Isolator.....	2
19	678063001	Oil Pump Gear Spring	1	45	518765001	Trigger.....	1
20	570096001	Oil Pump Outlet Tube	1	46	518764001	Lock-Out Lever.....	1
21	638504001	Thrust Washer	1	47	678068001	Trigger Return Spring	1
22	310510001	Clutch Assembly	1	48	518763001	Rear Handle Cover	1
23	660610001	Screw (M4 x 9.5 mm)	2	49	678603001	Throttle Rod.....	1
24	309514001	Oil Pump Assembly	1	50	700150003	Heat Shield	1
25	678054001	Chain Brake Pin.....	1	51	580506001	Oil Tank.....	1
26	678061001	Spring.....	1	52	580507001	Fuel Tank	1

[Order Homelite Chainsaw Parts on eBay](#)

**HOMELITE 35cc/38cc/42cc CHAIN SAWS MODEL NOs. UT10540, UT10542,
UT10560, UT10562, UT10580, UT10582 & UT10918 (ALL VERSIONS)**

Figure C



PARTS LIST (FIGURE C)

KEY NO.	PART NUMBER	DESCRIPTION	QTY	KEY NO.	PART NUMBER	DESCRIPTION	QTY
1	518796001	Clutch Cover Ring	1	10	610711001	Chain Adjustment Gear	1
2	518767001	Adjustment Knob	1	11	678072001	Adjustment Rod.....	1
3	518769001	Cover Knob	1	12	678071001	Adjustment Pin.....	1
4	638246002	Lock Spring Plate.....	1	13	660922001	Screw (4-18 x 10 mm)	2
5	678618002	Tension Nut.....	1	14	660507001	Screw (6-19 x 8 mm)	3
6	678056002	Bushing	1	15	660619001	Screw (6-19 x 1/2 in.)	1
7	518773001	Clutch Cover	1	16	518857001	Gear Cover	1
8	638524001	Guide Bar Plate	1	17	678057002	Spring.....	1
9	678616001	Thrust Washer	1				

[Order Homelite Chainsaw Parts on eBay](https://www.ebay.com/str/homelite)

HOMELITE 35cc/38cc/42cc CHAIN SAWS MODEL NOs. UT10540, UT10542,
UT10560, UT10562, UT10580, UT10582 & UT10918 (ALL VERSIONS)

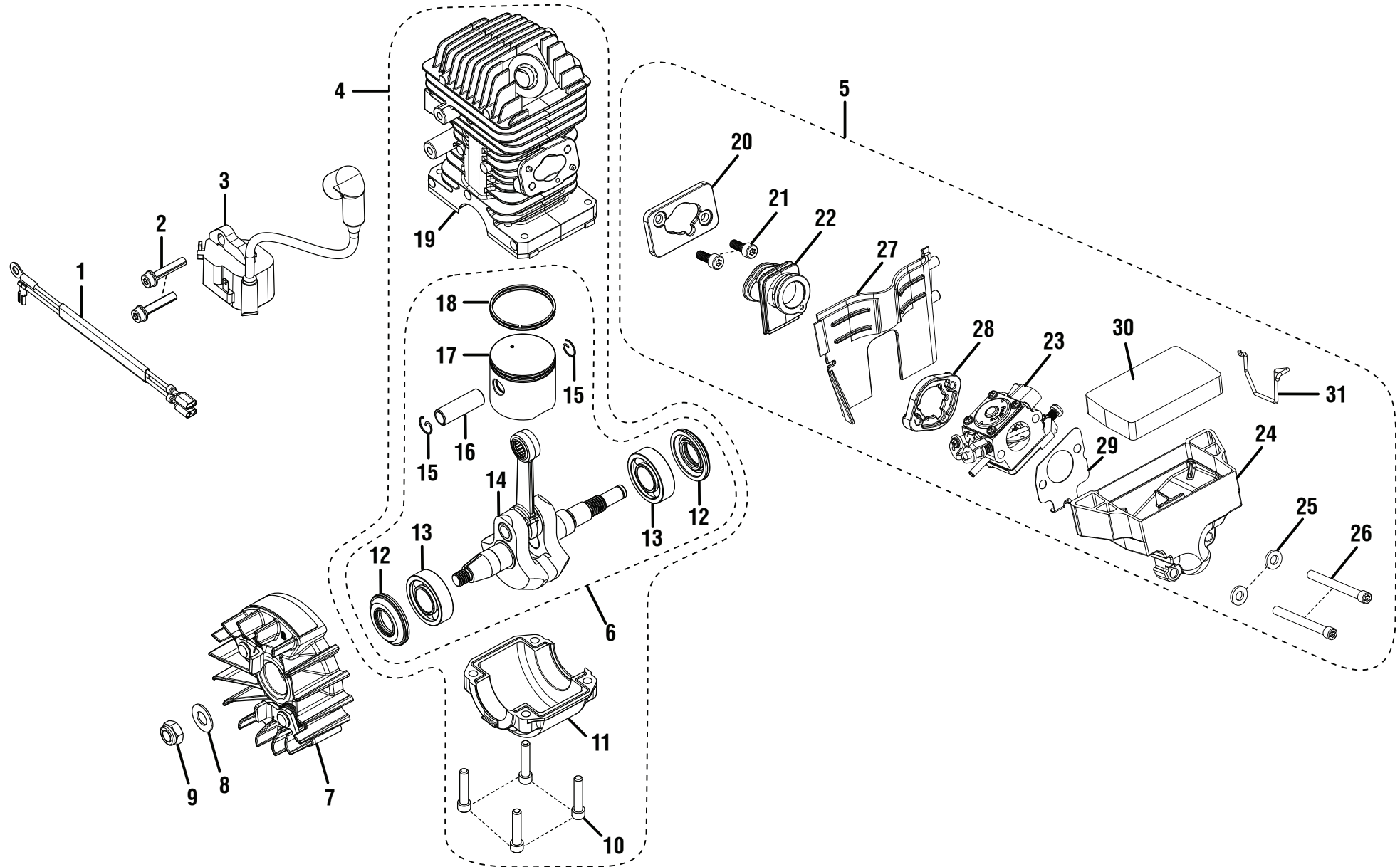


Figure D

**HOMELITE 35cc/38cc/42cc CHAIN SAWS MODEL NOs. UT10540, UT10542,
UT10560, UT10562, UT10580, UT10582 & UT10918 (ALL VERSIONS)**

The model number will be found on a label attached to the engine housing. Always mention the model number in all correspondence regarding your **CHAIN SAW** or when ordering repair parts.

PARTS LIST (FIGURE D)

KEY NO.	PART NUMBER	DESCRIPTION	QTY	KEY NO.	PART NUMBER	DESCRIPTION	QTY
1	290298001	Ignition Switch Harness	1	17	309110001	Piston	1
2	660613001	Bolt (M5 x 25.4 mm)	2	18	690161001	Piston Ring	2
3	309261001	Ignition Module.....	1	19	640202002	Cylinder	1
4	309892001	Short Block Assembly (Inc. Key Nos. 10-19)	1	20	678695001	Press Plate, Cylinder	1
5	310503001	Intake Assembly (Inc. Key Nos. 20-31)	1	21	661600001	Bolt (M5 x 14 mm)	2
6	310041001	Crankshaft & Piston Assembly (Inc. Key Nos. 12-18 and page 3, key no. 20)	1	22	570757001	Intake Boot	1
7	309010001	Flywheel Assembly	1	23	309362001	Carburetor	1
8	631049001	Washer	1	24	518762001	Air Filter Box	1
9	678067001	Flywheel Nut.....	1	25	671080001	Washer	2
10	660607001	Screw (M5 x 24 mm)	4	26	661600002	Bolt (M5 x 50 mm)	2
11	640251001	Crankshaft Case.....	1	27	518771001	Heat Dam	1
12	570090001	Crankshaft Seal	2	28	678694001	Press Plate, Carb.....	1
13	678048001	Ball Bearing	2	29	638528002	Carb Bracket	1
14	309163001	Crankshaft & Rod Assembly	1	30	901652001	Air Filter	1
15	678053001	Spring Retainer.....	2	31	678603001	Throttle Rod.....	1
16	620579001	Piston Pin	1				

[Order Homelite Chainsaw Parts on eBay](#)