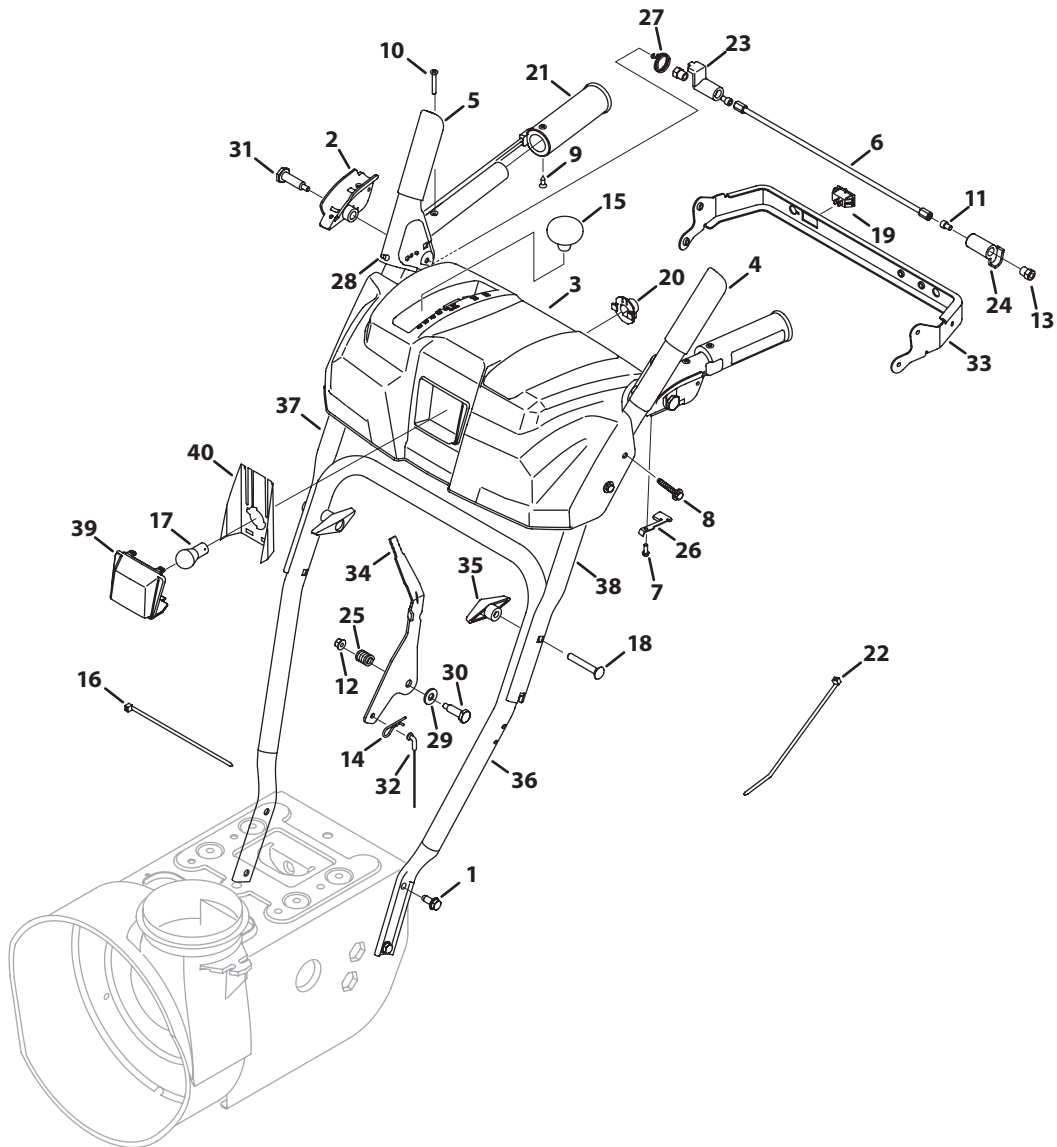


# N/P/Q-Style Panel

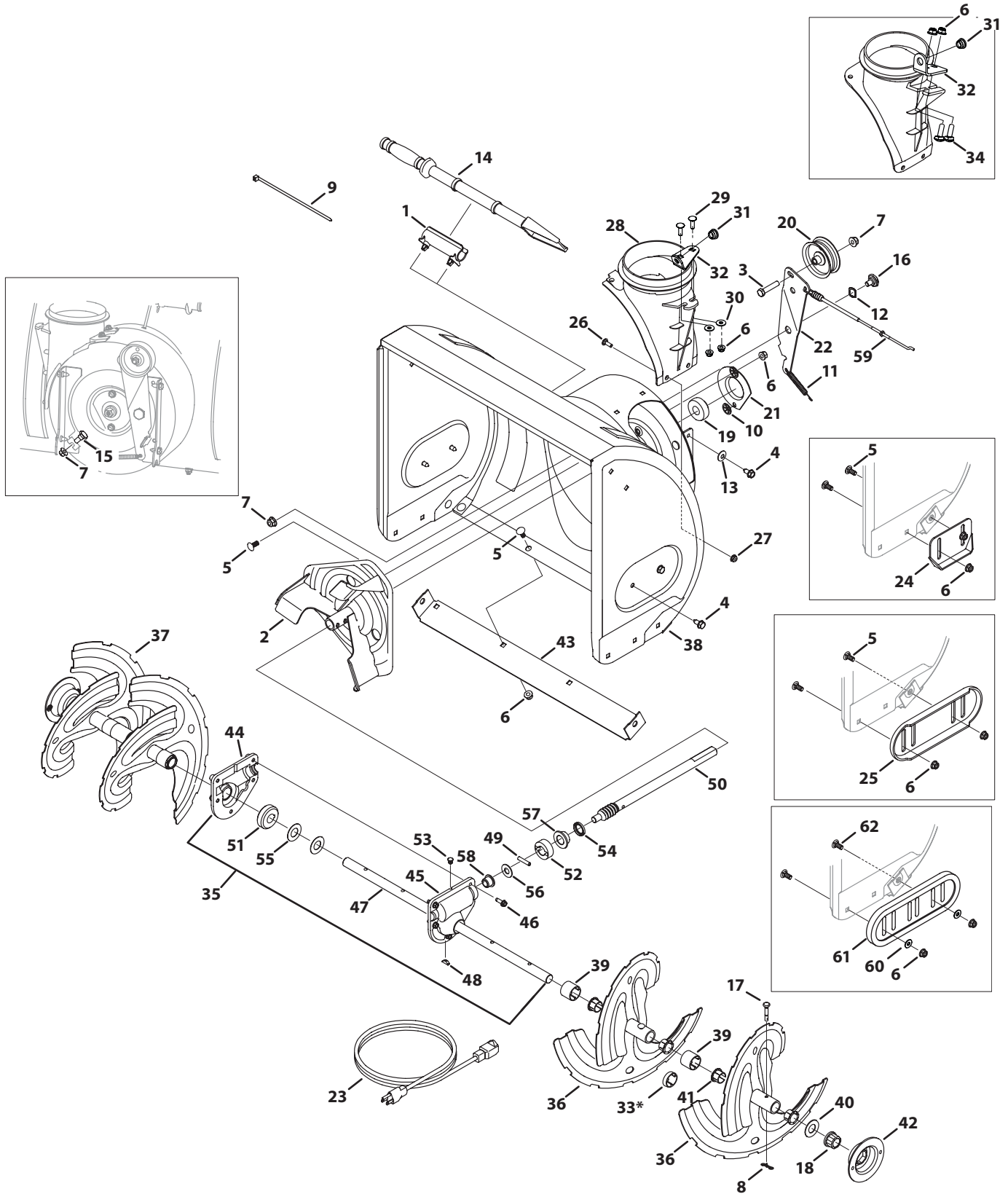


## N/P/Q-Style Panel

Ref.	Part Number	Description
1	710-04484	Screw, Taptite, 5/16-18 x .750
2	631-04134B	Clutch Lock, RH
—	631-04133A	Clutch Lock, LH
3	931-05332A	Handle Panel w/ Light
—	731-05334A	Handle Panel w/o Light
4	684-04105B	Auger Engage
5	684-04106B	Drive Engage
6	684-04250	Pivot Rod
7	710-04326	Screw, Plastite, 8-16 x .50
8	710-04586	Screw, Taptite, 1/4-20 x 1.625
9	710-0837	Screw, 10-16 x 0.625
10	710-1233	Screw, 10-24 x 1.375
11	710-3069	Screw, 1/4-20 x .50
12	712-04064	Nut, Flange Lock, 1/4-20
13	712-04081A	Nut, Hex, 1/4-20
14	914-0145	Click Pin, .092 x 1.64
15	720-04039	Shift Knob
16	725-0157	Cable Tie, 7"
17	725-1629	Lamp, 12.8V
—	725-1629	Lamp
18	710-0572	Screw, Carriage, 5/16-48 x 2.25
19	725-04393	Heated Grip Switch
20	925-1649	Lamp Socket

Ref.	Part Number	Description
21	725-05149	Heated Grip
—	720-0274	Grip
22	926-0154	Cable Tie, Push Mount
23	731-04894D	Plate, Lock
24	731-04896B	Cam, Clutch Lock
25	732-0193	Compression Spring, .39 x .60 x .88
26	732-04219C	Clutch Lock Spring
27	732-04238	Torsion Spring, 0.8156 x .3038
28	935-0199A	Rubber Bumper
29	936-0267	Washer, Flat, .385 x .87
30	738-04125	Screw, Shield, .374 x 1.05
31	738-04348	Screw, Shoulder, .437 x 1.345 x 1/4-20
32	946-04396A	Speed Selector Cable
33	790-00248B	Panel Bracket
34	790-00311A	Shift Lever
35	735-0284	Wing Knob
36	749-04138A	Lower Handle
37	749-04190A	Upper RH Handle
38	749-04191A	Upper LH Handle
39	731-05319	Lens Panel, Troy-Bilt
40	777X41805	Lens Label, Troy-Bilt
	729-04035	Amp Connector, Not Shown

# Auger & Auger Housing



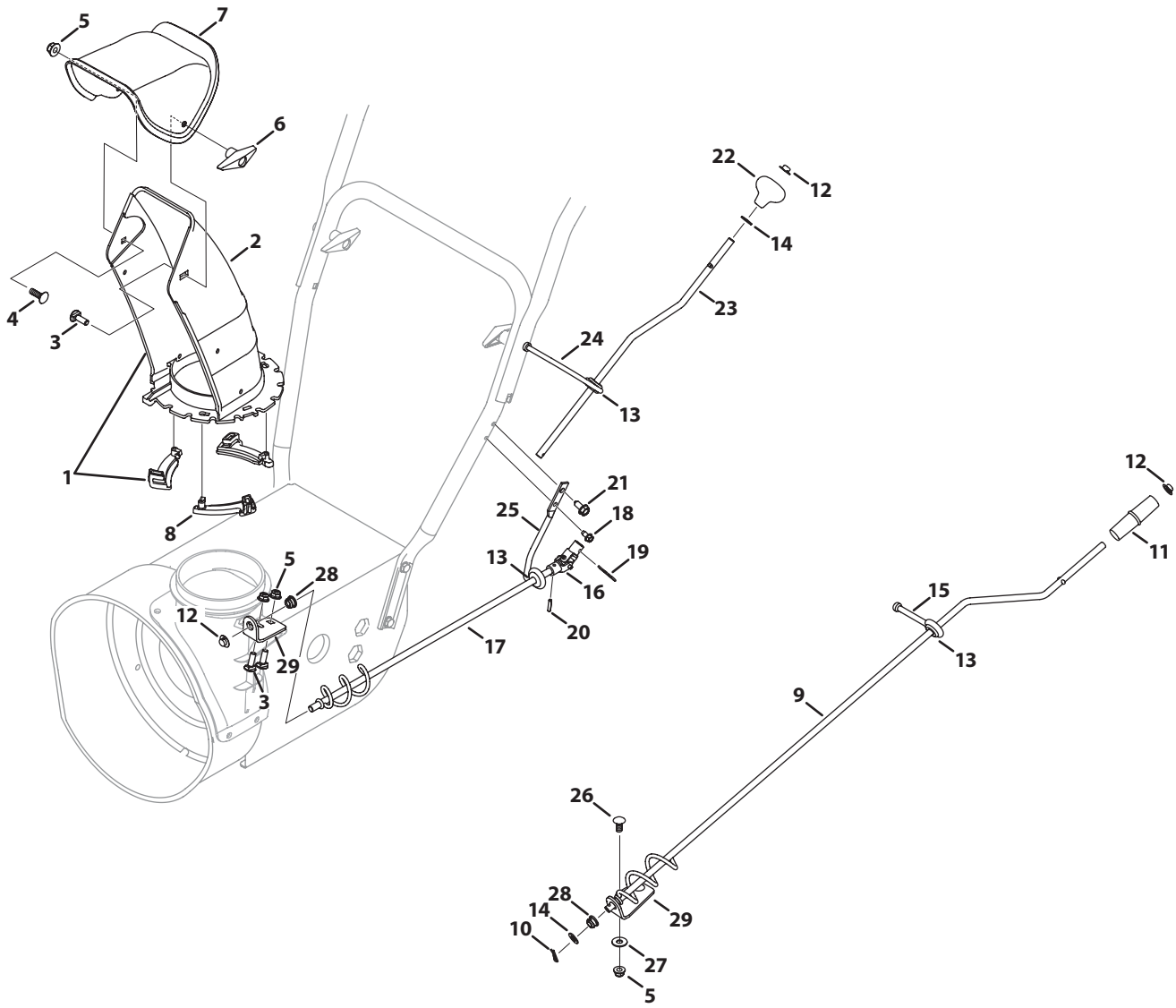
\* 30" models only

## Auger & Auger Housing

Ref.	Part Number	Description
1	731-2635	Cleanout Tool Mount
2	684-04057A	Impeller Assembly, 12"
3	710-0347	Hex Screw, 3/8-16 x 1.75
4	710-04484	Hex Washer Screw, 5/16-18 x .750
5	710-0451	Carriage Bolt, 5/16-18 x .750
6	712-04063	Flange Lock Nut, 5/16-18
7	712-04065	Flange Lock Nut, 3/8-16
8	714-04040	Bow-Tie Cotter Pin
9	725-0157	Cable Tie, 3/16 x .05 x 7.4
10	926-04012	Push Nut, .25 Dia.
11	732-04460	Extension Spring
12	736-0174	Wave Washer, .625 x .885 x .015
13	736-0242	Bell Washer, .340 x .872 x .060
14	731-2643	Chute Cleanout Tool
15	738-0143	Shoulder Bolt, .496 x .336 x 3/8-16
16	938-0281	Shoulder Screw, .625 x .17 x 3/8-16
17	738-04124A	Shear Pin, .25 x 1.50
18	941-0245	Hex Flange Bearing, .75 ID
19	941-0309	Ball Bearing, .75 ID x 1.85 OD
20	756-04224	Idler Pulley, 2.75 OD
21	790-00075	Bearing Housing, 1.85 ID
22	790-00080A	Auger Idler Bracket
23	929-0071A	Extension Cord (Electric Start Only)
24	784-5580	Skid Shoe
25	790-00091	Deluxe Skid Shoe
26	710-0703	Carriage Screw, 1/4-20 x .75
27	712-04064	Flange Lock Nut, 1/4-20
28	731-04705D	Chute Adapter, 5"
—	731-07525	Chute Adapter, 5" (4-way)
—	731-07117	Chute Adapter, 5" (side crank)
29	710-0276	Carriage Screw, 5/16-18 x 1.00
30	936-0159	Flat Washer, .349 x .879 x .063
31	941-0475	Plastic Bushing, .380 ID
32	784-5647	Chute Crank Bracket
33*	731-04871	Spacer, 1.250 x .75 ID x 3/16 LG
34	710-04071	Carriage Bolt, 5/16-18 x 1.00
35	918-04170B	Gearbox Assembly, 22"
—	918-04171B	Gearbox Assembly, 24"
—	918-04172B	Gearbox Assembly, 26"
—	918-04173A	Gearbox Assembly, 28"
—	918-04165A	Gearbox Assembly, 30"
36	684-04107	Spiral Assembly, LH

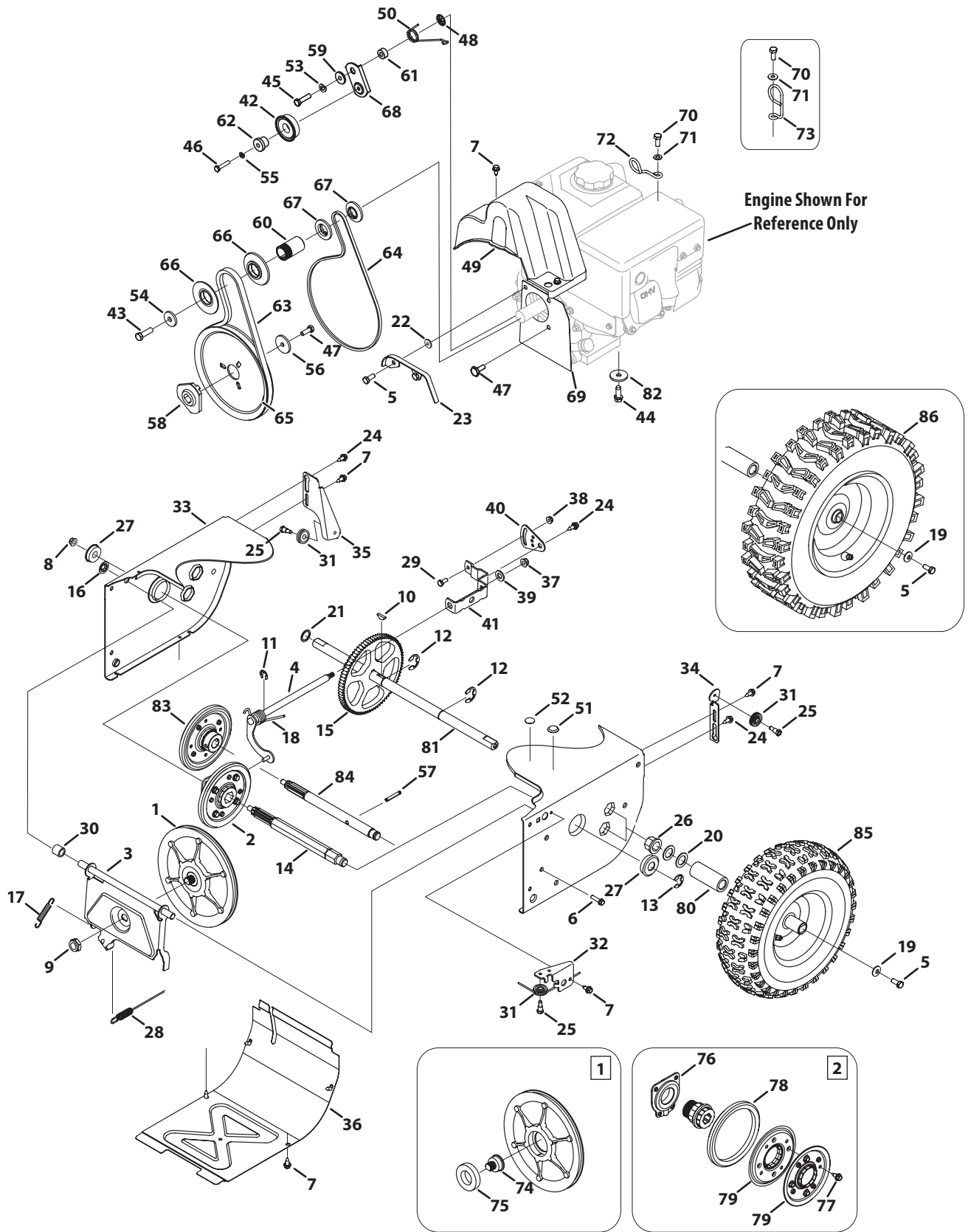
Ref.	Part Number	Description
37	684-04108	Spiral Assembly, RH
38	684-04266	Auger Housing Assembly, 22"
—	684-04265	Auger Housing Assembly, 24"
—	684-04270	Auger Housing Assembly, 24" (T-B)
—	684-04264	Auger Housing Assembly, 26"
—	684-04271	Auger Housing Assembly, 26" (T-B)
—	684-04268	Auger Housing Assembly, 28"
—	684-04272	Auger Housing Assembly, 28" (T-B)
—	684-04267	Auger Housing Assembly, 30"
39	731-04870	Spacer, 1.2500 x .75 ID x 1.00
40	736-0188	Flat Washer, .76 x 1.49 x .06
41	741-0493A	Flange Bushing, .800 ID x .910 OD
42	790-00087A	Bearing Housing, 1"
43	790-00117	Shave Plate, 22"
—	790-00120	Shave Plate, 24"
—	790-00121	Shave Plate, 26"
—	790-00118	Shave Plate, 28"
—	790-00119	Shave Plate, 30"
44	918-0123A	Housing Assembly, RH
45	918-0124A	Housing Assembly, LH
46	710-0642	Hex Washer Screw, 1/4-20 x .750
47	711-04286	Auger Axle, 22"
—	711-04285	Auger Axle, 24"
—	711-04284	Auger Axle, 26"
—	711-04283	Auger Axle, 28"
—	711-04282	Auger Axle, 30"
48	914-0161	Hi-Pro Key
49	715-04021	Dowel Pin, .25 OD x 1.25 LG
50	917-04126	Worm Shaft, .75 OD
51	717-04449	Worm Gear 20 T, 24" & 26"
—	917-0528A	Worm Gear 20 T, 28"& 30"
52	718-04071	Thrust Collar, .756 ID x .600
53	721-0325	Plug, 1/4 x .437
54	721-0327	Oil Seal, .75 x 1.131 x .188
55	936-0351	Flat Washer, .760 ID x 1.50 ID
56	736-3084	Flat Washer, .51 x 1.12 x .06
57	741-0662	Flange Bearing, .75 ID x 1.0 OD x .59
58	741-0663	Flange Bearing, .50 ID x .75 OD x .59
59	746-04230	Auger Drive Cable
60	936-0159	Washer, Flat, .349 x .879
61	731-05984A	Slide Shoe, Poly
62	710-0276	Carriage Screw, 5/16-18 x 1.00

# Standard 2-Way Chute



Ref.	Part Number	Description
1	631-04131B	Lower Chute Assembly
2	731-04912B	Lower Chute
3	710-04071	Carriage Bolt, 5/16-18 x 1.00
4	710-0451	Carriage Bolt, 5/16-18 x .750
5	712-04063	Flange Lock Nut, 5/16-18
6	720-04072A	Wing Knob
7	731-04426A	Upper Chute
8	731-04869A	Flange Keeper
9	684-04104	Chute Crank
10	914-0104	Cotter Pin, .072 x 1.13
11	720-0201A	Crank Knob
12	926-0100	Push Cap, 3/8
13	735-0234	Rubber Grommet
14	936-0185	Flat Washer, .375 x .738 x .063
15	747-04263	Eye Bolt
16	684-04350	Joint Assembly
17	684-04351	Chute Crank
18	710-0599	Taptite Screw, 1/4-20 x .500
19	914-0101	Cotter Pin, .08 x 1.42
20	715-04095	Pin, .156 x .875
21	710-04484	Taptite Screw, 5/16-18 x 2.25
22	720-04102	Shift Knob
23	747-05154	Upper Chute Rod
24	747-05157	Chute Rod Eye Bolt
25	747-05159	Lower Chute Rod
26	710-0276	Carriage Screw, 5/16-18 x 1.00
27	936-0159	Flat Washer, .349 x .879 x .063
28	941-0475	Plastic Bushing, .380 ID
29	784-5647	Chute Crank Bracket

# Drive System



Ref.	Part Number	Description	Ref.	Part Number	Description
1	656-04055	Disc Assembly, Friction Wheel	40	790-00217A	Speed Selector Pivot Bracket
2	684-04153	Friction Wheel Assembly, 5.5 OD	41	790-00218A	Speed Selector Shift Bracket
3	684-04154B	Friction Wheel Support Bracket	42	684-04169	Idler Pulley Assembly
4	684-04156A	Rod Shift Assembly	43	710-0191	Hex Screw, 3/8-24 x 1.25
5	710-0627	Hex Head Screw, 5/16-24 x .750	44	710-0654A	Sems Screw, 3/8-16 x 1.00
6	710-0788	Taptite Screw, 1/4-20 x 1.000	45	710-0672	Hex Screw, 5/16-24 x 1.25
7	710-1652	Taptite Screw, 1/4-20 x .625	46	710-0809	Hex Screw, 1/4-20 x 1.25
8	712-04065	Flange Lock Nut, 3/8-16	47	738-04439	Shoulder Screw, 5/16-24 x .5
9	712-0417A	Flange Nut, 5/8-18	48	926-04012	Push-on Nut, .25 Dia.
10	914-0126	Hi-pro Key, 3/16 x 3/4 Dia.	49	731-06401	Belt Cover, 4-Way Irg. block
11	916-0104	E-Ring	—	731-05353	Belt Cover, 4-Way
12	716-0136	Retaining E-Ring, .875 Dia.	—	731-04792A	Belt Cover, Standard
13	916-0231	E-Ring, .750 Dia.	50	732-04308A	Torsion Spring, .850 ID x .333
14	917-04209A	Hex Shaft, 7-Tooth	51	735-04099	Plug, 3/8 ID
15	917-04230	Gear, 80-Tooth	52	735-04100	Plug, 1/2 ID
16	726-0221	Speed Nut, .500	53	936-0119	Lock Washer, 5/16
17	932-0264	Extension Spring	54	736-0247	Flat Washer, .406 x 1.25 x .157
18	732-04311	Torsion Spring, .750 x .968	55	936-0329	Washer, Lock, 1/4
19	736-0242	Bell Washer, .340 x .872 x .060	56	736-0505	Flat Washer, .34 x 1.50 x .150
20	936-0287	Flat Washer, .793 x 1.24 x .060	57	715-04020	Pin, Spirol, 2.5"
21	736-04161	Flat Washer, .75 x 1.00 x .060	58	748-04053A	Adapter Pulley, .75 Dia.
22	936-0140	Washer, Flat, .385 x .62 x .063	59	748-04112B	Shoulder Spacer, .3175 x .5 x .0975
23	731-07101	Belt Cover	60	750-04303	Spacer, .875 ID x 1.185 OD
24	738-04184A	Shoulder Screw, .368 x .113, 1/4-20	61	750-04477A	Spacer, .340 x .750 x .330
25	738-0924A	Shoulder Screw, 1/4-28, .340 x .355	62	750-04571	Shoulder Space, .260 x .785 x .538
26	941-0245	Hex Flange Bearing	63	954-04195	Auger Drive Belt, 4-Way Irg. block
27	941-0563	Ball Bearing, 17 x 40 x 12	—	954-04050	Auger Drive Belt, Standard
28	746-04229	Wheel Clutch Cable, 44.95"	64	954-04201A	Wheel Drive Belt, 4-Way Irg. block
29	710-0751	Hex Head Screw, 1/4-20 x .620	—	954-04260	Wheel Drive Belt, Standard
30	748-0190	Spacer, .508 ID x .75 OD x .68	65	756-04109	Auger Drive Pulley, 8.1 x .5
31	756-0625	Cable Roller	66	756-04113	Pulley Half, 2.600 OD
32	790-00096	Auger Cable Front Guide Bracket	67	756-04252	Pulley Half, 3/8 x 1.716 OD
33	790-00180A	Frame	68	790-00208C	Wheel Drive Idler Bracket
34	790-00206A	Auger Cable Guide Bracket	69	790-00332	Cover Plate, 4-Way Irg. block
35	790-00207B	Drive Cable Guide Bracket	—	790-00289A	Cover Plate, Standard
36	790-00316	Frame Cover	70	710-04022	Hex Head Screw, 1.25 x 20
37	712-04063	Flange Lock Nut, 5/16-18	71	936-0264	Washer, Flat, .330 x .630 x .0635
38	712-04064	Flange Lock Nut, 1/4-20	72	732-04677	Cable Guide
39	936-3015	Washer, Flat, .469 x .875 x .105	73	732-0705	Cable Guide

Cont'd on next page



## Drive System

Ref.	Part Number	Description
74	738-04164A	Friction Disc Bearing Pin
75	741-04098	Ball Bearing, 30 x 55 x 13
76	618-0063A	Bearing Assembly
77	710-0896	Screw, 1/4-14 x .625
78	935-04054	Friction Wheel Rubber
79	790-00174	Friction Wheel Plate
80	731-04873	Spacer, 1.25 x .75 x 3.0
81	938-04168	Axle, .75 x 22
82	736-0320	Washer, Flat, .38 x 1.38 x .125
83	684-04360	Friction Wheel Ass'y, Single-Speed
84	717-04793	Shaft, Single-Speed
85	634-04144A-0911	Snow Hog Wheel, 13 x 4 x 6
—	634-04142A-0911	Snow Hog Wheel, 15 x 5 x 6
—	634-04141-0911	Snow Hog Wheel, 15 x 4.8
86	634-04167A-0911	X-Trac Wheel, 13 x 4 x 6, LH
—	634-04168A-0911	X-Trac Wheel, 13 x 4 x 6, RH
—	634-04147A-0911	X-Trac Wheel, 15 x 5 x 6, LH
—	634-04148A-0911	X-Trac Wheel, 15 x 5 x 6, RH
—	634-04145-0911	X-Trac Wheel, 16 x 4.8 x 8, LH
—	634-04146-0911	X-Trac Wheel, 16 x 4.8 x 8, RH