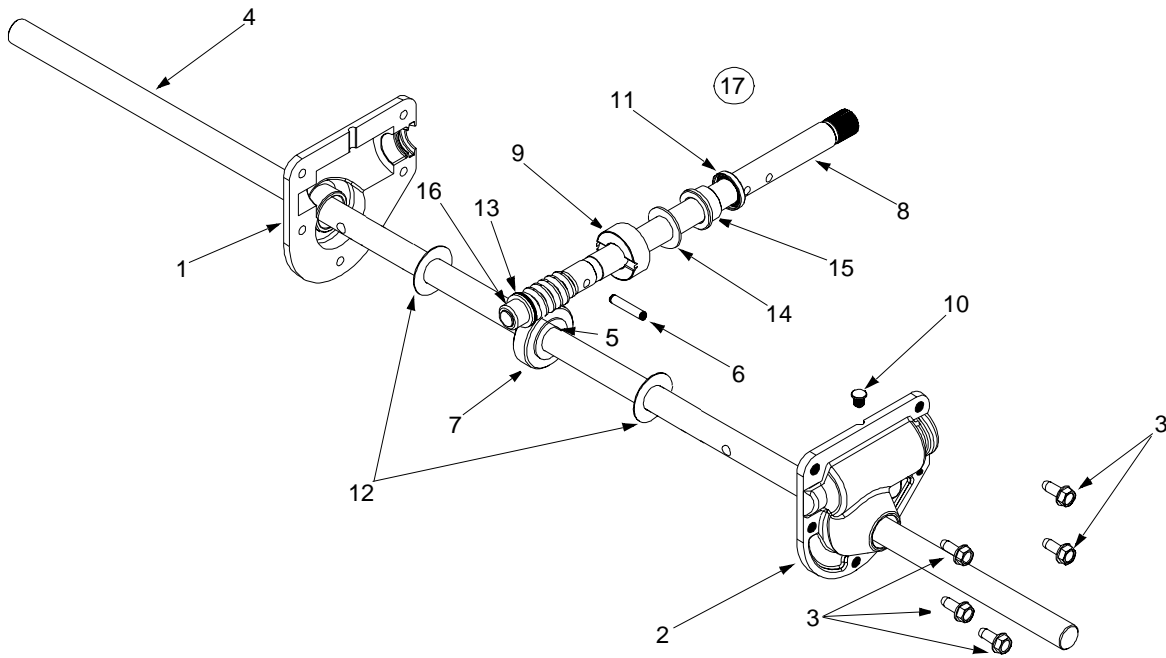


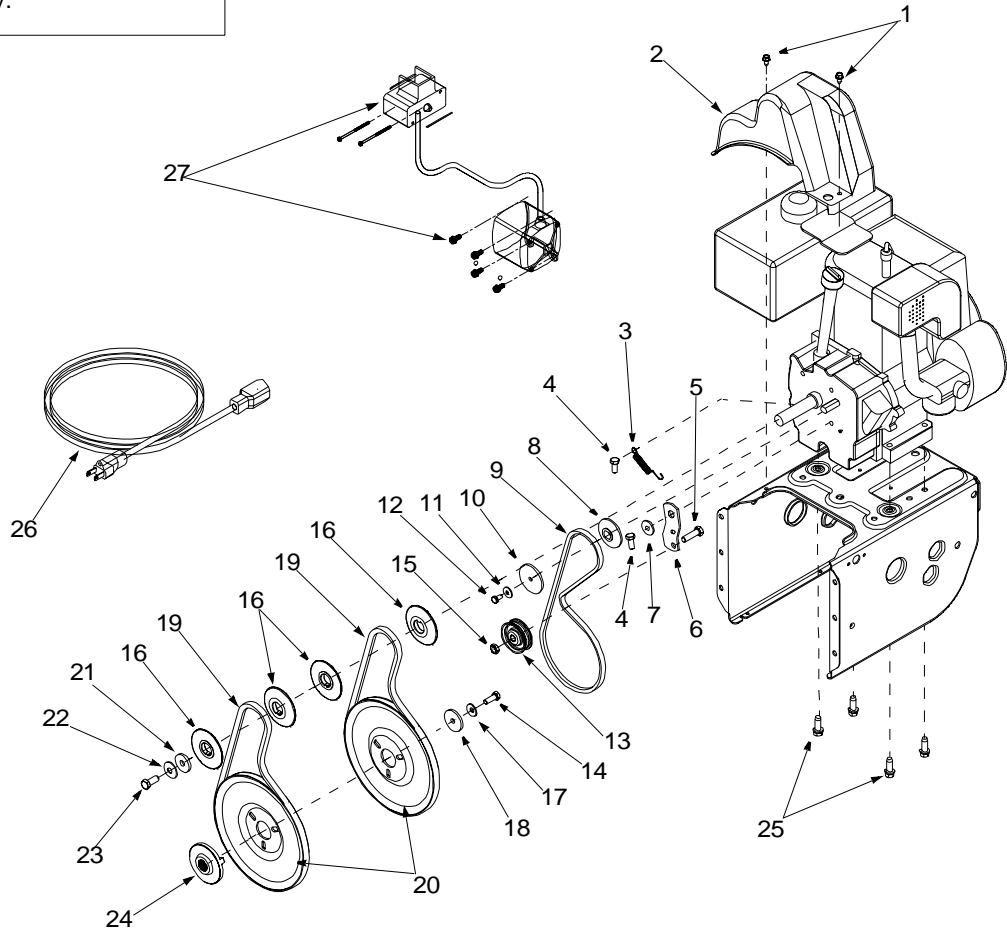
Model Series E6A5E, E645E & E665E



| Ref. No. | Part No. | Description |
|----------|-----------|------------------------|
| 1. | 618-0123 | Housing—R.H. |
| | 618-0124 | Housing—L.H. |
| 2. | 710-0642 | Hex Screw 1/4-20 x .75 |
| 3. | 711-1020A | Spiral Axle 22" |
| | 711-0908A | Spiral Axle 24" |
| 4. | 714-0161 | Key |
| 5. | 715-0143 | Pin-Spiral |
| 6. | 717-0526 | Shaft-Worm |
| 7. | 717-0528 | Gear-Worm |
| 8. | 718-0186 | Collar-Thrust |
| 9. | 721-0325 | Plug |
| 10. | 721-0327 | Seal-Oil |
| 11. | 736-0351 | Washer-Flat |
| 12. | 736-0369 | Washer-Flat |
| 13. | 736-0445 | Washer-Flat |
| 14. | 737-0168 | Grease |
| 15. | 741-0662 | Bearing-Flange |
| 16. | 741-0663 | Bearing-Flange |
| 17. | 618-0152A | Ass'y. Complete 22" |
| | 618-0120A | Ass'y Complete 24" |

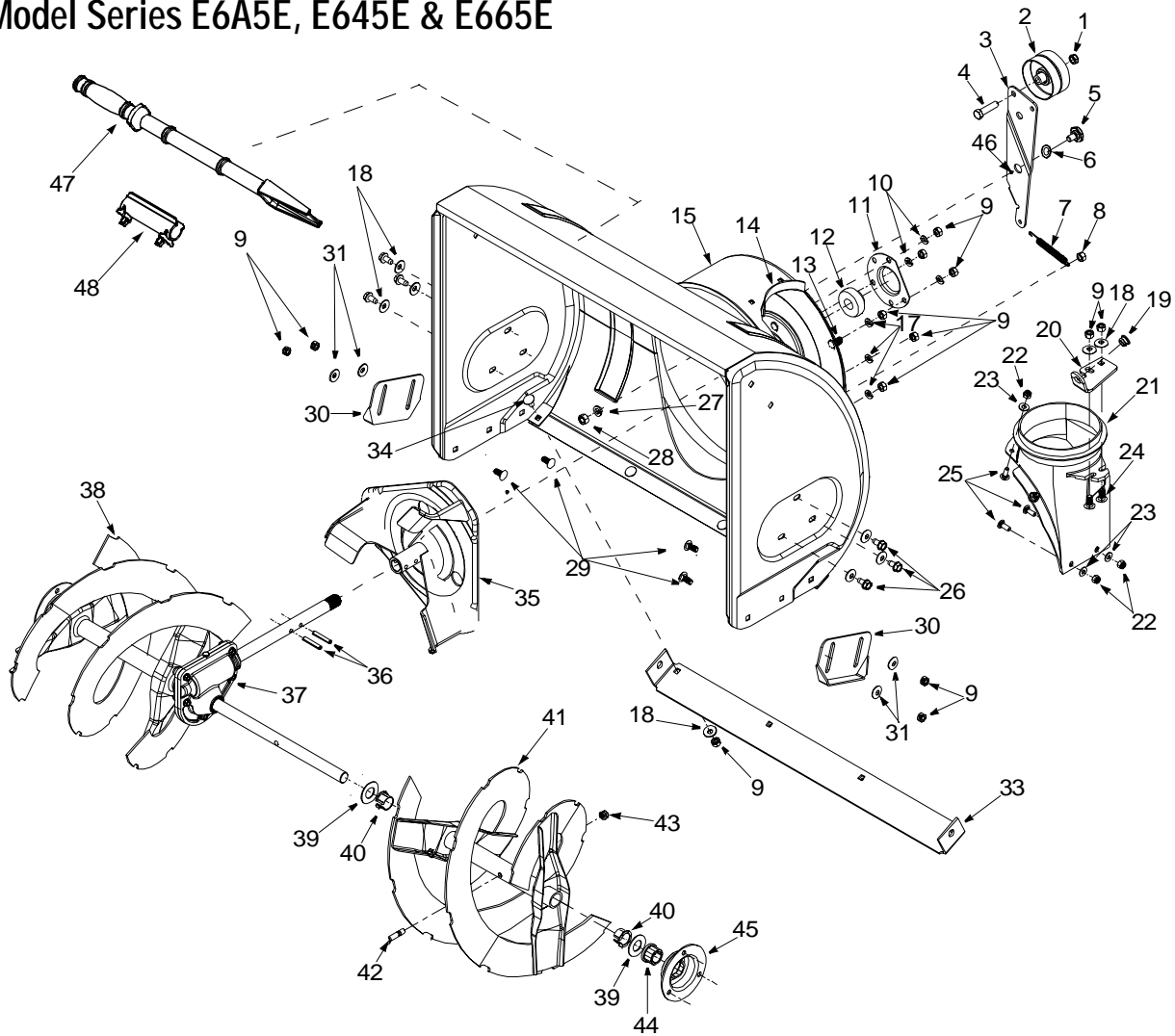
Model Series E6A5E, E645E & E665E

IMPORTANT: For a proper working machine, use Factory Approved Parts.
V-BELTS are specially designed to engage and disengage safely. A substitute (non OEM) V-Belt can be dangerous by not disengaging completely.



| Ref. No. | Part No. | Description | Ref. No. | Part No. | Description |
|----------|-----------|-------------------------------|----------|-------------|---------------------------|
| 1. | 710-1652 | Hex Washer Screw 1/4-20 x .50 | 15. | 712-0181 | Lock Jam Nut 3/8-16 |
| 2. | 731-1324 | Belt Cover | 16. | 756-0569 | Pulley Half |
| 3. | 732-0710 | Extension Spring | 17. | 736-0242 | Bell Washer |
| 4. | 710-0627 | Hex Screw 5/16-24 x .75 | 18. | 736-0505 | Flat Washer |
| 5. | 710-3005 | Hex Cap Screw 3/8-16 x 1.25 | 19. | 754-0430B | Belt |
| 6. | 05896A | Drive Clutch Idler Bracket | 20. | 756-0967 | Auger Pulley |
| 7. | 748-0234 | Shoulder Spacer | 21. | 736-0247 | Flat Washer 3/8 x 1.25 OD |
| 8. | 756-0987 | Pulley Half | 22. | 736-0331 | Bell Washer |
| 9. | 754-0346 | V-Belt | 23. | 710-0696 | Hex Cap Screw 3/8-24 |
| 10. | 756-0986 | Pulley Half | 24. | 748-0360 | Adapter Pulley |
| 11. | 736-0270 | Bell Washer | 25. | 710-0654A | Hex Screw 3/8-16 x 1.0 |
| 12. | 710-0230 | Hex Cap Screw 1/4-28 x .50 | 26. | 629-0071 | Extension Cord |
| 13. | 756-0313 | Flat Idler | 27. | OEM-390-987 | Electric Start |
| 14. | 710-1245B | Lock Hex Cap Screw 5/16-24 | | | |

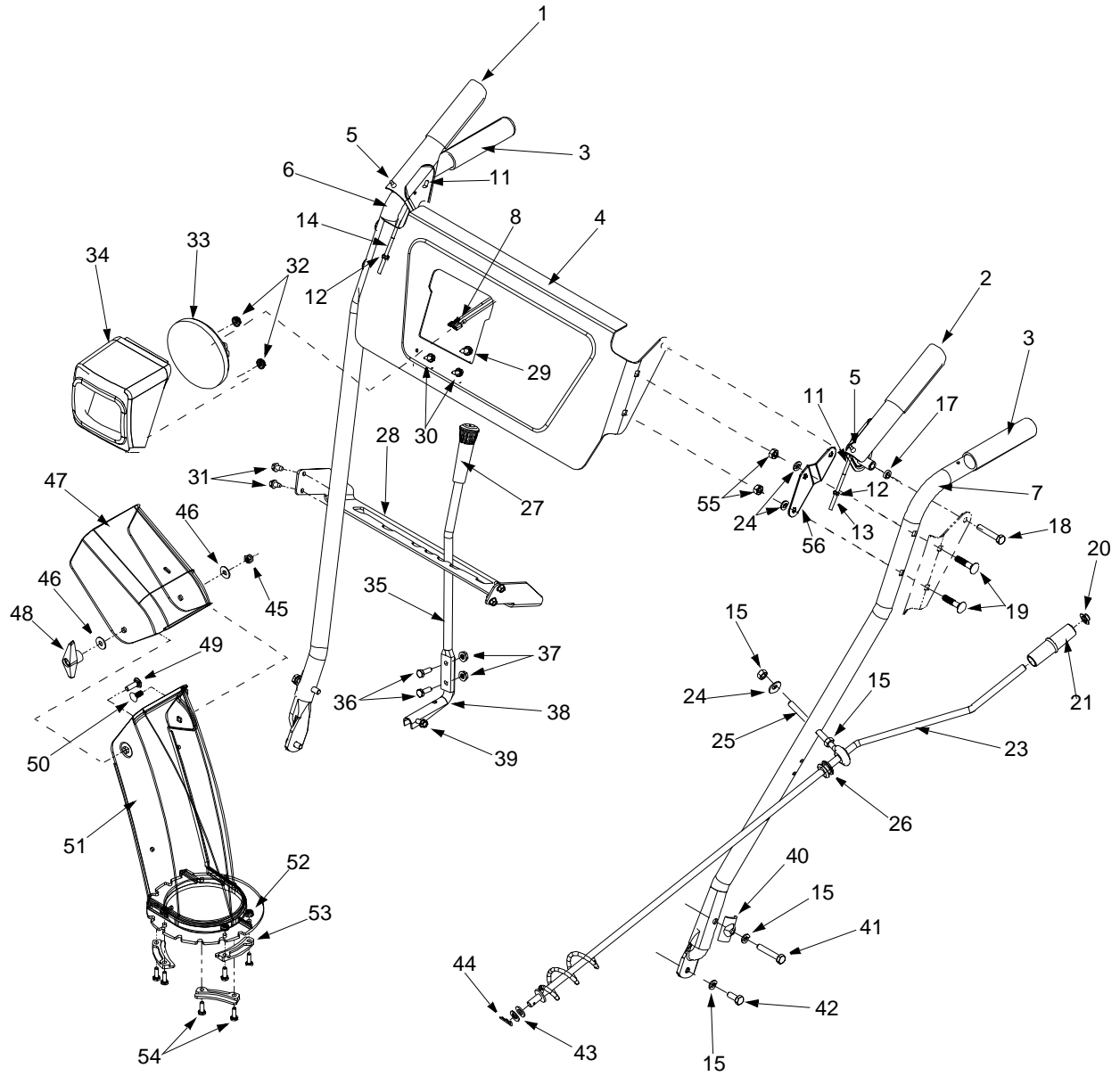
Model Series E6A5E, E645E & E665E



| Ref. No. | Part No. | Description | Ref. No. | Part No. | Description |
|----------|-----------|-----------------------------|----------|-----------|-----------------------------|
| 1. | 712-0116 | Lock Jam Nut 3/8-24 | 27. | 736-0169 | Lock Washer 3/8 |
| 2. | 756-0178 | Flat Idler | 28. | 712-0798 | Hex Nut 3/8-16 |
| 3. | 784-5632B | Auger Idler Arm | 29. | 710-0451 | Carriage Bolt 5/16-18 x .75 |
| 4. | 710-0459A | Hex Cap Screw 3/8-24 x 1.50 | 30. | 784-5580 | Snow Shoe |
| 5. | 738-0281 | Shoulder Screw | 31. | 736-0242 | Bell Washer |
| 6. | 736-0167 | Flat Washer | 33. | 784-5576 | 22" Shave Plate |
| 7. | 732-0611 | Extension Spring | | 784-5581A | 24" Shave Plate |
| 8. | 712-3068 | Hex Nut 5/16-18 | 34. | 710-0260 | Carriage Bolt 5/16-18 x .62 |
| 9. | 712-3010 | Hex Nut 5/16-18 | 35. | 684-0065 | Impeller Assembly |
| 10. | 736-0119 | Lock Washer 5/16 | 36. | 715-0114 | Pin |
| 11. | 05931A | Housing | 37.* | 618-0152A | 22" Gear Assembly |
| 12. | 741-0309 | Ball Bearing | | 618-0120A | 24" Gear Assembly |
| 13. | 710-0451 | Carriage Bolt 5/16-18 | 38. | 605-5252A | Spiral 22" RH |
| 14. | 705-5226 | Reinforcement Chute | | 605-5188A | Spiral 24" RH |
| 15. | 684-0052C | 22" Housing Assembly | 39. | 736-0188 | Flat Washer |
| | 684-0039D | 24" Housing Assembly | 40. | 741-0493A | Flange Bushing |
| 17. | 736-0119 | Lock Washer 5/16 | 41. | 605-5253A | Spiral 22" LH |
| 18. | 736-0242 | Bell Washer | | 605-5189A | Spiral 24" LH |
| 19. | 741-0475 | Bushing | 42. | 710-0890A | Shear Bolt 5/16-18 x 1.5 |
| 20. | 784-5647 | Chute Crank Bracket | 43. | 712-0429 | Lock Nut 5/16-18 |
| 21. | 731-1379C | Chute Adapter | 44. | 741-0245 | Hex Flange Bearing |
| 22. | 712-0324 | Hex Lock Nut 1/4-20 | 45. | 784-5618 | Bearing Housing |
| 23. | 736-0463 | Flat Washer | 46. | 737-0318 | Grease |
| 24. | 710-0451 | Carriage Bolt | 47. | 731-2643 | Chute Clean-out Tool |
| 25. | 710-0703 | Carriage Screw 1/4-20 x .75 | 48. | 731-2635 | Mount, Chute Clean-out Tool |
| 26. | 710-0604A | Hex Washer Screw 5/16-18 | | | |

* See page 20 for breakdown of this assembly.

Model Series E6A5E, E645E & E665E

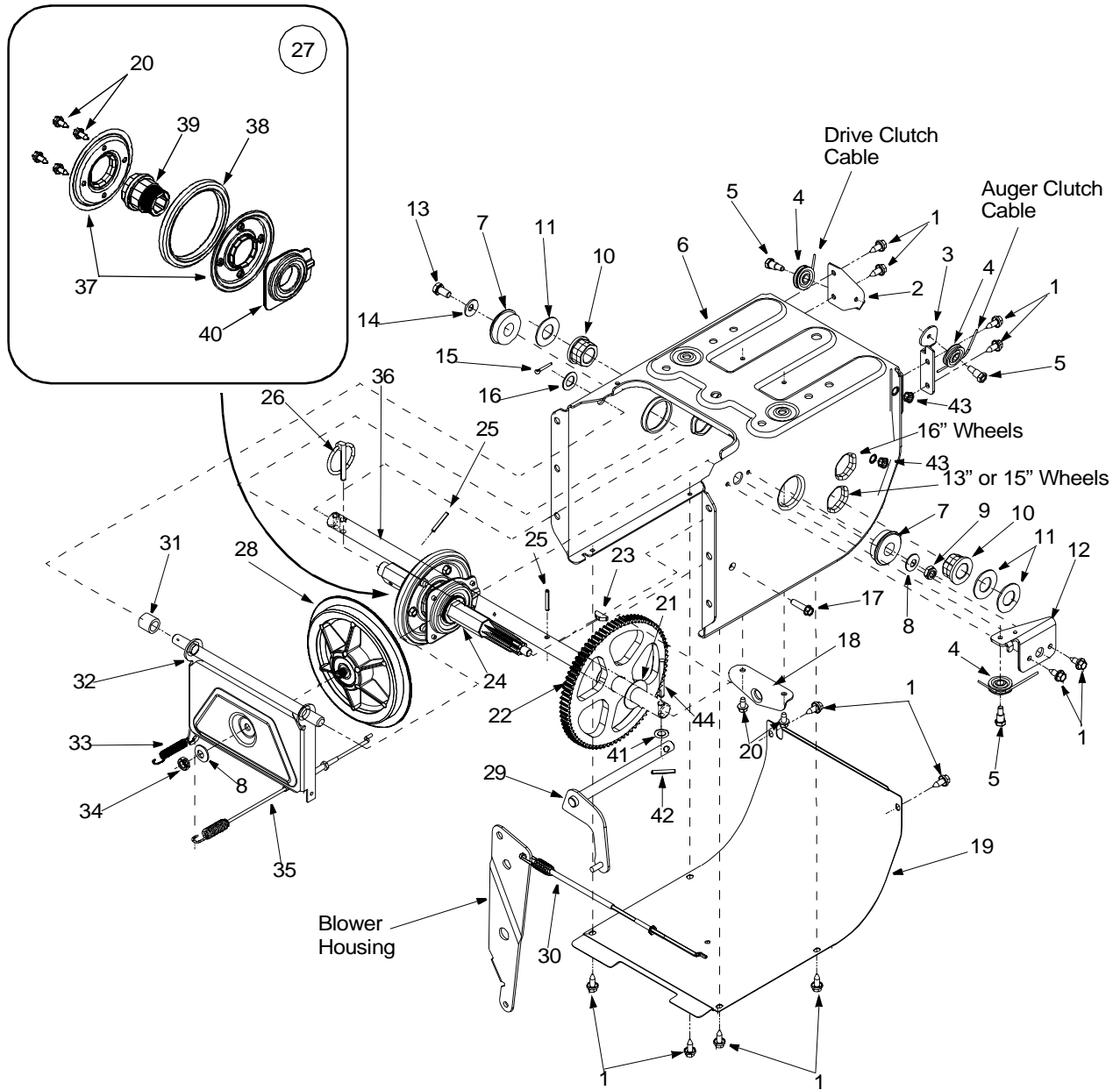


Model Series E6A5E, E645E & E665E

| Ref. No. | Part No. | Description | Ref. No. | Part No. | Description |
|----------|-----------|-------------------------------------|----------|-----------|----------------------------------|
| 1. | 705-5234A | Clutch Lever Assembly - RH | 30. | 710-1003 | Hex Washer Screw #10 16 x .625 † |
| 2. | 705-5233A | Clutch Lever Assembly - LH | 31. | 710-0599 | Hex Washer Screw 1/4-20 x .50 |
| 3. | 720-0274 | Grip | 32. | 712-0415 | Hex Nut † |
| 4. | 784-5717A | Control Panel Assembly (615, E6A5E) | 33. | 725-1300 | Headlight 18 Watt † |
| | 784-5718A | Control Panel Assembly (E645, E665) | 34. | 731-1317 | Headlight Cover † |
| 5. | 735-0199A | Bumper Rubber | 35. | 747-0904 | Shift Lever |
| 6. | 749-0910C | Handle RH | 36. | 710-3015 | Hex Cap Screw 1/4-20 x .75 |
| 7. | 749-0911C | Handle LH | 37. | 712-3027 | Hex Lock Nut 1/4-20 |
| 8. | 629-0058 | Light Harness † | 38. | 732-0733 | Shift Lever Support |
| 11. | 746-0778 | "Z" Fitting | 39. | 710-0809 | Hex Washer |
| 12. | 712-0121 | Hex Nut | 40. | 784-5599 | Handle Tab |
| 13. | 746-0897 | Auger Clutch Cable | 41. | 710-04039 | Hex Cap Screw 5/16-18 x 2" |
| 14. | 746-0898B | Drive Clutch Cable | 42. | 710-1880 | Hex Cap Screw 5/16-18 x .75 |
| 15. | 712-3010 | Hex Nut 5/16-18 | 43. | 736-0185 | Flat Washer 3/8 ID x .738 OD |
| 16. | 736-0119 | Lock Washer 5/16 | 44. | 714-0104 | Cotter Pin |
| 17. | 750-1032 | Spacer | 45. | 712-0429 | Hex Lock Nut 5/16-18 |
| 18. | 710-3103 | Hex Hd. Cap Screw 5/16-18 x 2.00 | 46. | 736-0159 | Washer 5/16 |
| 19. | 710-0262 | Carriage Bolt 5/16-18 x 1.5 | 47. | 731-0921 | Upper Chute |
| 20. | 726-0100 | Push Rod Cap | 48. | 720-0284 | Knob 5/16-18 |
| 21. | 720-0201A | Chute Crank Knob | 49. | 710-04071 | Carriage Screw 5/16-18 x 1.0 |
| 22. | 715-0138 | Roll Pin | 50. | 710-0451 | Carriage Bolt 5/16-18 x .75 |
| 23. | 705-5204A | Chute Crank Assembly | 51. | 731-1300B | Lower Chute |
| 24. | 736-0242 | Bell Washer .340 ID x .873 OD | 52. | 712-3027 | Hex Lock Nut 1/4-20 |
| 25. | 747-0697 | Eyebolt | 53. | 731-0851A | Chute Flange Keeper |
| 26. | 735-0234 | Rubber Grommet | 54. | 710-3015 | Hex Cap Screw 1/4-20 x .75 |
| 27. | 720-0223 | Grip | 55. | 712-3068 | Hex. Wash. Locknut 5/16-18 Thd. |
| 28. | 705-5265 | Speed Selector Plate (1 Rev) | 56. | 705-5275 | LH Handle Support Brkt. |
| | 705-5231 | Speed Selector Plate (2 Rev) | - | 705-5274 | RH Handle Support Brkt. |
| 29. | 710-1652 | Hex Washer Screw 1/4-20 x .625 † | | | |

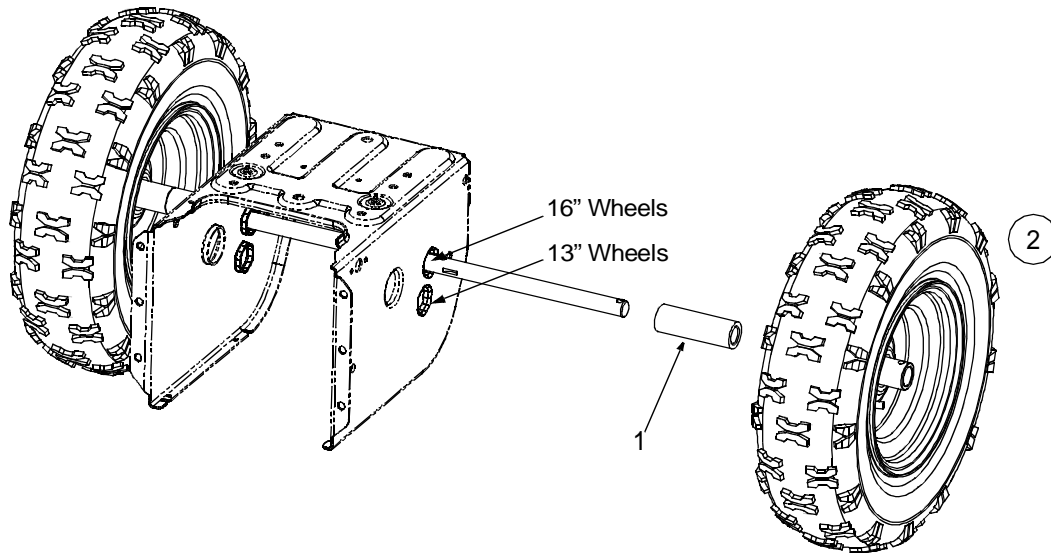
† If Equipped

Model Series E6A5E, E645E & E665E



Model Series E6A5E, E645E & E665E

| Ref. No. | Part No. | Description | Ref. No. | Part No. | Description |
|----------|-----------|-------------------------------|----------|-----------|----------------------------------|
| 1. | 710-1652 | Hex Screw | 24. | 717-1444 | 7-Tooth Shaft |
| 2. | 784-5688 | Drive Cable Guide Bracket | 25. | 715-0249 | Roll Pin |
| 3. | 784-5687A | Auger Clutch Cable Bracket | 26. | 714-0143 | Klik Pin |
| 4. | 756-0625 | Roller Cable | 27. | 684-0042C | Friction Wheel Assembly |
| 5. | 738-0924 | Hex Screw 1/4-28 | 28. | 656-0012A | Friction Disc Wheel |
| 6. | 784-5630B | Frame Assembly | 29. | 684-0013B | Wheel Shift Rod Assembly |
| 7. | 741-0563 | Ball Bearing | 30. | 746-0897 | Drive Cable |
| 8. | 736-0105 | Bell Washer | 31. | 748-0190 | Spacer |
| 9. | 712-0116 | Lock Jam Nut | 32. | 684-0021 | Friction Wheel Bracket Assembly |
| 10. | 741-04026 | Hex Flange Bearing | 33. | 732-0264 | Extension Spring |
| 11. | 736-0188 | Flat Washer | 34. | 712-0711 | Jam Nut 3/8-24 |
| 12. | 784-5689A | Front Support Guide Bracket | 35. | 746-0898B | Drive Cable |
| 13. | 710-0538 | Lock Hex Screw | 36. | 738-0869 | Axle 13" Wheels |
| 14. | 736-0242 | Bell Washer .340 ID x .872 OD | - | 738-0830 | Axle 16" Wheels |
| 15. | 714-0474 | Cotter Pin | 37. | 790-00010 | Friction Plate |
| 16. | 736-0160 | Flat Washer .536 ID x .930 OD | - | 790-00011 | Friction Plate w/Extrusion |
| 17. | 710-0809 | Hex Washer Screw 1/4-20 | 38. | 735-0243B | Friction Wheel Rubber |
| 18. | 784-5590 | Frame Shift Bracket | 39. | 718-0301A | Friction Wheel Hub |
| 19. | 784-5638 | Frame Cover | 40. | 618-0063 | Friction Wheel Bearing |
| 20. | 710-1652 | Hex Washer Screw 1/4-20 | 41. | 736-0142 | Flat Washer .281 I.D. x .50 O.D. |
| 21. | 736-0351 | Flat Washer .760 ID x .50 OD | 42. | 714-0507 | Cotter Pin |
| 22. | 717-1445 | Gear | 43. | 712-0703A | Insert Jam Nut 5/16-18 |
| 23. | 714-0126 | Key | 44. | 711-1364 | Clevis Pin, 1/4 x 1.3725 |



| WHEEL CHART | | | | | | | |
|--------------|------------|-------------------|-------------------------|-----------|-----------|-----------|--------------------|
| MODEL NUMBER | WHEEL SIZE | REF. NO. 1 SPACER | REF. NO. 2 WHEEL ASS'Y* | TIRE ONLY | AIR VALVE | RIM ONLY | SLEEVE BEARING (2) |
| 615 | 13 x 4 | 731-04044 | 634-0114A | 734-1732 | 734-0255 | 734-1713A | 741-0143 |
| E6A5E | 13 x 5 | 731-04044 | 734-1714A | 734-1527 | 734-0255 | 734-1713A | 741-0143 |
| E645 | 13 x 5 | 731-04044 | 734-1714A | 734-1527 | 734-0255 | 734-1713A | 741-0143 |
| E665 | 13 x 5 | 731-04044 | 734-1714A | 734-1527 | 734-0255 | 734-1713A | 741-0401 |

* A wheel assembly includes one tire, one air valve, one painted rim and two sleeve bearings