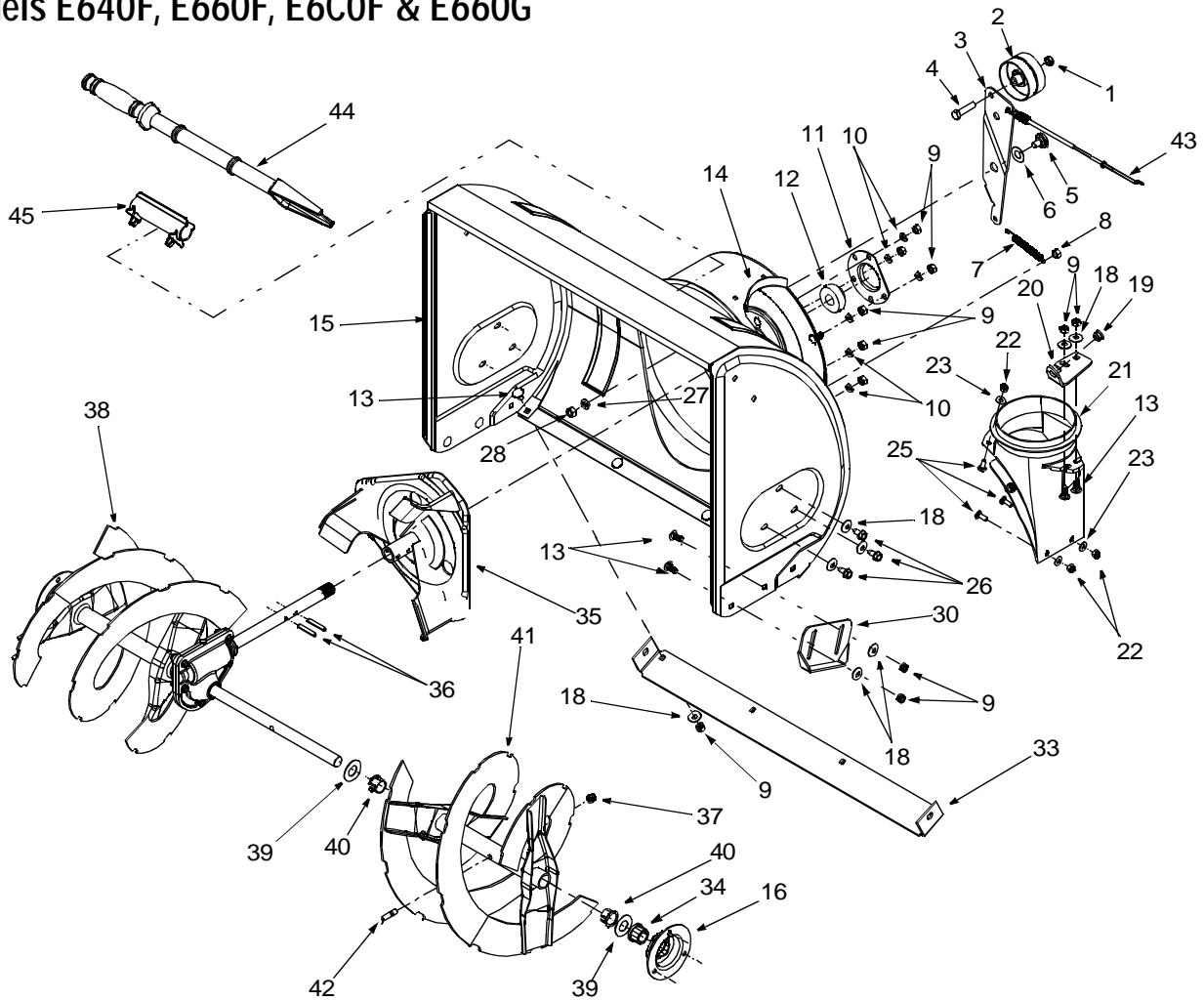
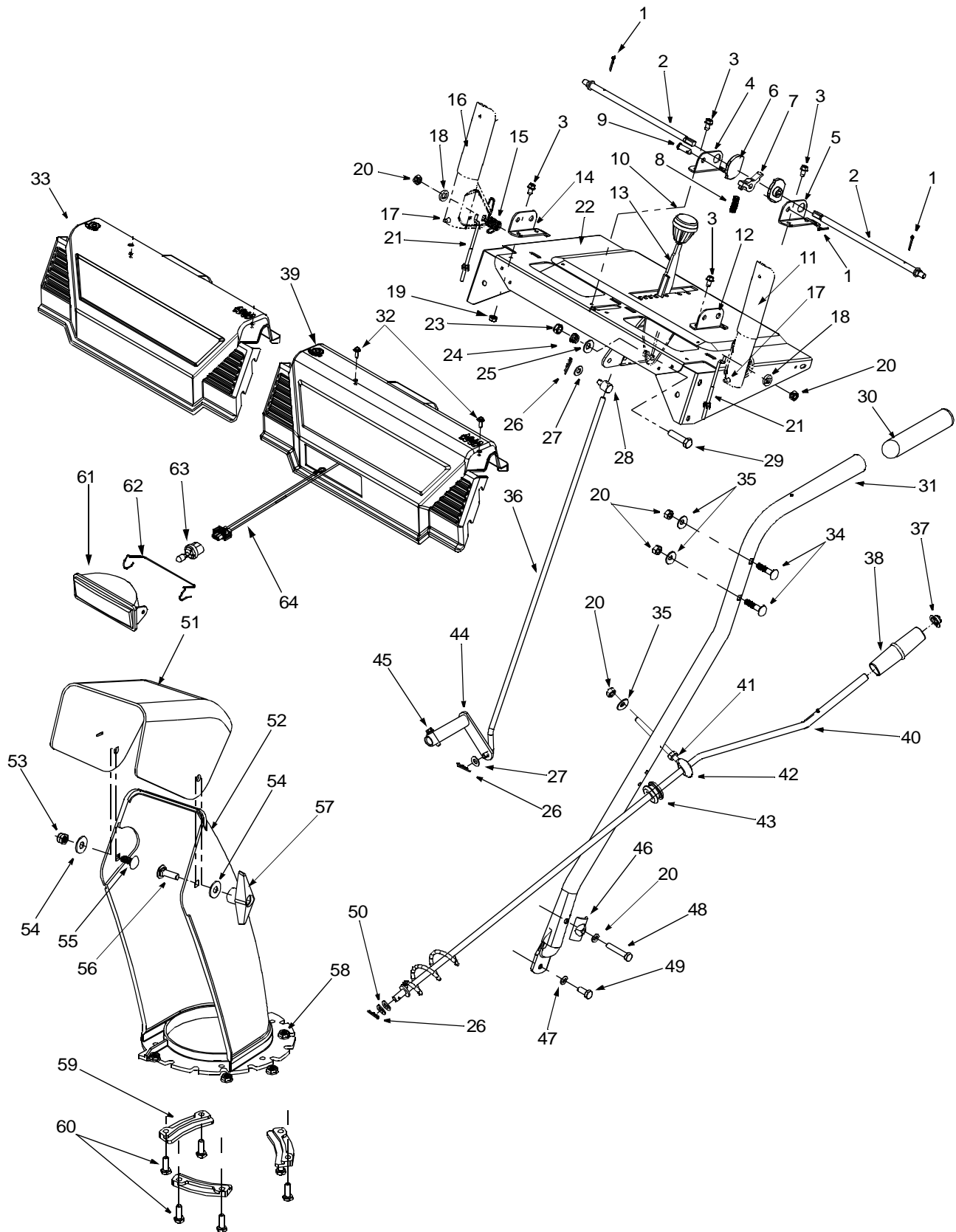


Models E640F, E660F, E6C0F & E660G



REF. NO.	PART NO.	DESCRIPTION	REF. NO.	PART NO.	DESCRIPTION
1	712-0116	Lock Jam Nut 3/8-24	26	710-0604A	Hex Washer TT Screw 5/16-18
2	756-0178	Flat Idler	27	736-0169	Lock Washer 3/8
3	784-5632B	Auger Idler Arm	28	712-0798	Hex Nut 3/8-16
4	710-0459A	Hex Cap Screw 3/8-24 x 1.50	30	784-5580	Snow Shoe
5	738-0281	Shoulder Screw	31	731-2643	Chute Clean-out Tool
6	736-0167	Flat Washer, .565 x 1.25 x .02	32	731-2635	Mount, Chute Clean-out Tool
7	732-0611	Extension Spring	33	784-5581A	24" Shave Plate
8	712-3068	Hex Nut 5/16-18		784-5579A	26" Shave Plate
9	712-3010	Hex Nut 5/16-18		784-5582A	28" Shave Plate
10	736-0119	Lock Washer 5/16	34	741-0245	Hex Flange Bearing
11	05931A	Housing	35	684-0065	Impeller Assembly
12	741-0309	Ball Bearing	36	715-0114	Pin
13	710-0451	Carriage Bolt 5/16-18 x .75	37	712-0429	Lock Nut 5/16-18
14	705-5226	Reinforcement Chute	38	605-5188A	Spiral 24" RH
15	684-0039D	24" Housing Assembly		605-5192A	Spiral 26" RH
	684-0040D	26" Housing Assembly		605-5196A	Spiral 28" RH
	684-0041D	28" Housing Assembly	39	736-0188	Flat Washer
16	784-5618	Bearing Housing	40	741-0493A	Flange Bushing
18	736-0242	Bell Washer	41	605-5189A	Spiral 24" LH
19	741-0475	Bushing		605-5193A	Spiral 26" LH
20	784-5647	Chute Crank Bracket		605-5197A	Spiral 28" LH
21	731-1379C	Chute Adapter	42	710-0890A	Shear Bolt 5/16-18 x 1.5
22	712-0324	Hex Lock Nut 1/4-20	43	746-0897	Drive Cable
23	736-0463	Flat Washer	44	731-2643	Chute Clean-out Tool
25	710-0703	Carriage Screw 1/4-20 x .75	45	731-2635	Mount, Chute Clean-out Tool

Models E640F, E660F, E6C0F & E660G



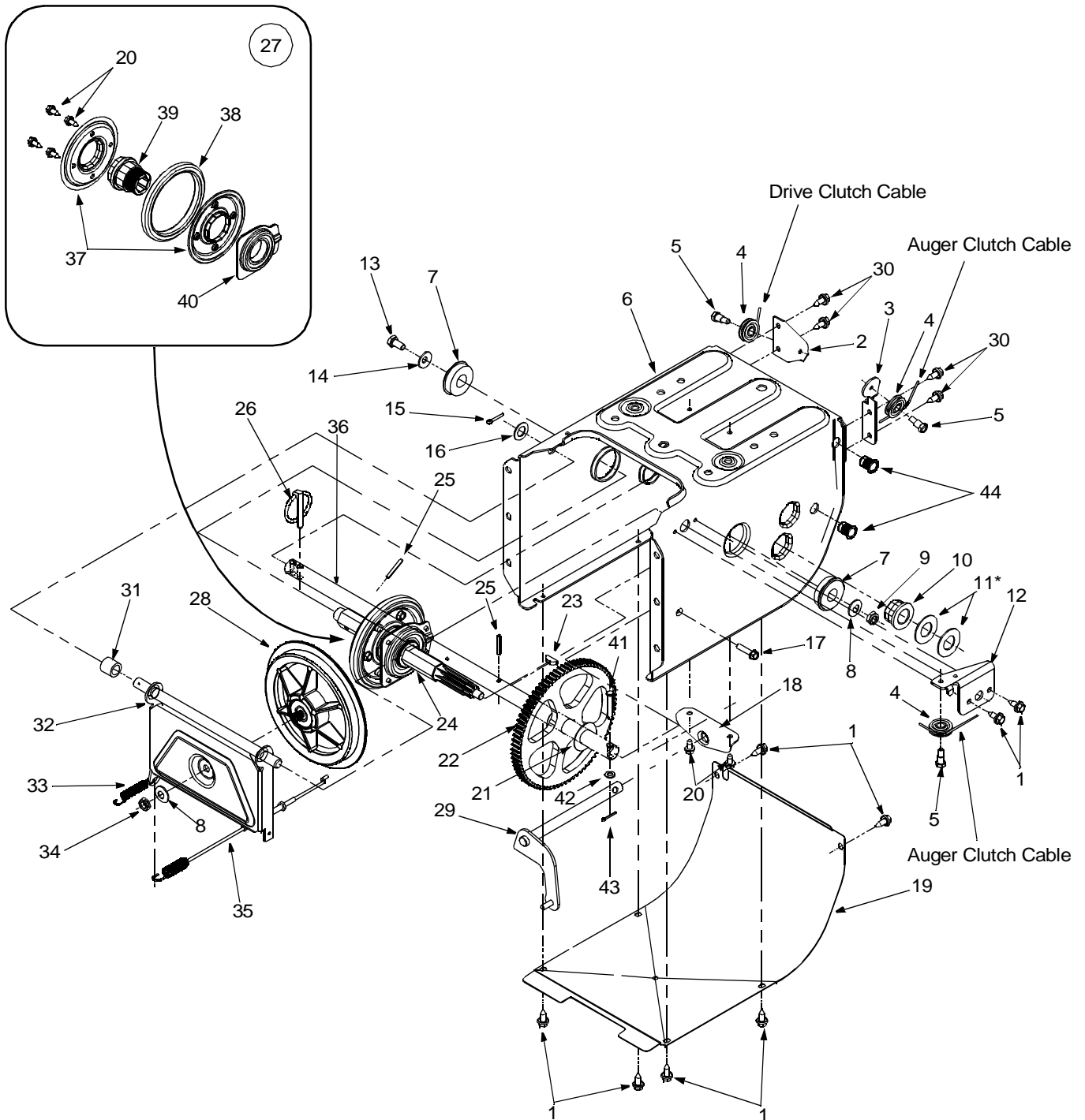
Models E640F, E660F, E6C0F & E660G

REF. NO.	PART NO.	DESCRIPTION	REF. NO.	PART NO.	DESCRIPTION
1	714-0507	Cotter Pin	32	710-1003	Hex Washer Screw
2	747-0877	Rod	33	731-1391	Handle Panel (w/o lamp cut-out)
3	710-0599	Hex Washer Screw 1/4-20 x .5	34	710-0262	Carriage Bolt 5/16-18 x 1.50
4	784-5680	Handle Support Bracket - RH	35	736-0242	Bell Washer .340 ID x .872 OD
5	784-5679	Handle Support Bracket - LH	36	747-0798A	Shift Rod
6	748-0362	Cam Lock Handle	37	726-0100	Push Cap
7	748-0363	Handle Lock Pawl	38	720-0201A	Chute Knob
8	732-0145	Compression Spring	39	731-1392	Panel (w/ lamp cut-out)
9	711-0653	Clevis Pin	40	705-5204A	Chute Crank
10	720-0232	Knob	42	747-0697	Chute Crank Eyebolt
11	684-0037B	Handle Assy - LH	43	735-0234	Rubber Grommet
12	784-5681	Handle Support Bracket - LH	44	684-0008A	Shift Arm Assembly
13	784-5619A	Shift Handle	45	710-0788	Hex Washer Screw 1/4-20 x 1.0
14	784-5682	Handle Support Bracket - RH	46	784-5599	Handle Tab
15	732-0746	Torsion Spring	47	736-0119	Lock Washer 5/16
16	684-0036A	Handle Assy - RH	48	710-04039	Hex Cap Screw 5/16-18 x 2
17	735-0199A	Rubber Bumper	49	710-3008	Hex Cap Screw 5/16-18 x .75
18	736-0509	Washer	50	736-0185	Flat Washer
19	712-0271	Hex Nut 1/4-20 †	51	731-0921	Upper Chute
20	712-3068	Hex Nut 5/16-18	52	731-1300B	Lower Chute
21	746-0778	Cable	53	712-3068	Hex Lock Nut 5/16-18
22	684-0103	Panel	54	736-0159	5/16 Washer
23	712-0116	Jam Lock Nut 3/8-24	55	710-0451	Carriage Bolt 5/16-18 x .75
24	732-0193	Compression Spring	56	710-04071	Carriage Screw 5/16-18 x 1.0
25	736-0105	Bell Washer	57	720-0284	Knob
26	714-0104	Cotter Pin	58	712-3027	Hex Lock Nut 1/4-20
27	736-0275	Flat Washer 5/16	59	731-0851A	Flange Keeper
28	711-0677	Ferrule	60	710-3015	Hex Cap Screw 1/4-20 x .75
29	710-0459A	Hex Cap Screw 3/8-24 x 1.50	61	725-1672	Lens Housing Assembly
30	720-0274	Grip	62	747-1136	Headlight Retaining Wire
31	749-0911C	Handle -LH	63	725-1658	Halogen Light
	749-0910C	Handle -RH (not shown)	64	629-0059	Light Harness

† Used with ground wire; found on model's with an in-dash light only.

NOTE: Snow thrower features vary by model. NOT all parts listed above and pictured on the previous page are standard equipment.

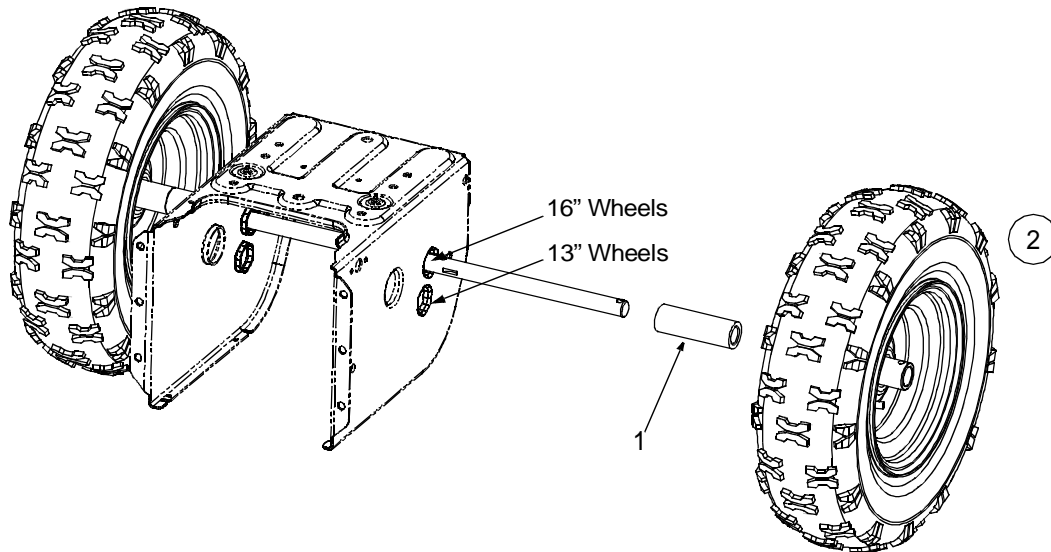
Models E640F, E660F, E6C0F & E660G



Models E640F, E660F, E6C0F & E660G

REF. NO.	PART NO.	DESCRIPTION	REF. NO.	PART NO.	DESCRIPTION
1	710-1652	Self-tapping Screw, 1/4-20 x .625	24	717-1444	7-Tooth Shaft
2	784-5688	Drive Cable Guide Bracket	25	715-0249	Roll Pin
3	784-5687A	Auger Clutch Cable Bracket	26	714-0143	Klik Pin
4	756-0625	Cable Roller	27	684-0042B	Friction Wheel Assembly
5	738-0924	Hex Screw 1/4-28	28	656-0012A	Friction Disc Wheel
6	784-5630B	Frame Assembly	29	684-0013B	Wheel Shift Rod Assembly
7	741-0563	Ball Bearing	30	710-0599	Self-tapping Screw, 1/4-20 x .5
8	736-0105	Bell Washer	31	748-0190	Spacer
9	712-0116	Lock Jam Nut	32	684-0021	Friction Wheel Bracket Assembly
10	741-04026	Hex Flange Bearing	33	732-0264	Extension Spring
11	736-0188	Flat Washer†	34	712-0711	Jam Nut 3/8-24
12	784-5689A	Front Support Guide Bracket	35	746-0898B	Drive Cable
13	710-0538	Lock Hex Screw	36	738-0869	Axle 13" Wheels
14	736-0242	Bell Washer .340 ID x .872 OD		738-0830	Axle 16" Wheels
15	714-0474	Cotter Pin	37	784-5617A	Friction Plate
16	736-0160	Flat Washer .536 ID x .930 OD	38	735-0243B	Friction Wheel Rubber
17	710-0809	Self-tapping Screw, 1/4-20 x 1.25	39	718-0301A	Friction Wheel Hub
18	784-5590	Frame Shift Bracket	40	618-0063A	Friction Wheel Bearing
19	784-5638	Frame Cover	41	711-1364	Clevis Pin, 1/4 x 1.3725
20	710-1652	Hex Washer TT Screw 1/4-20	42	736-0142	Flat Washer, .281 x .5 x .063
21	736-0351	Flat Washer .760 ID x .50 OD	43	714-0507	Cotter Pin, .75
22	717-1445	Gear	44	712-0703A	Insert Nut, 5/16-18
23	714-0126	Key			

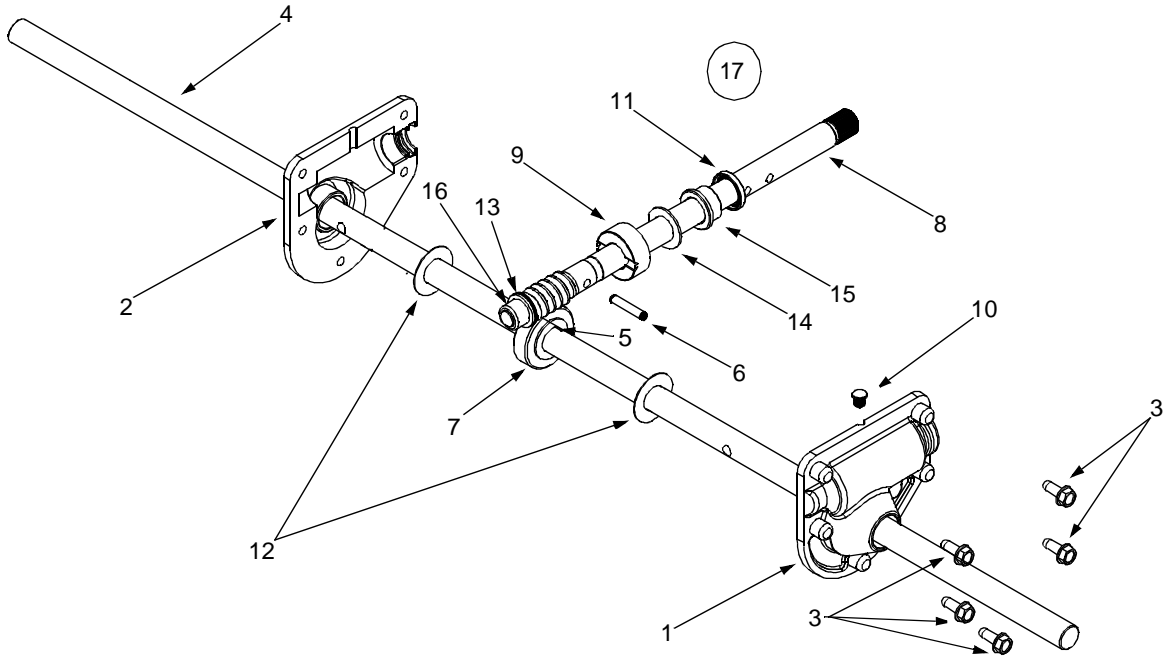
† Use more than one washer on either side, only if necessary to reduce axle-play.



WHEEL CHART							
MODEL NUMBER	WHEEL SIZE	REF. NO. 1 SPACER	REF. NO. 2 WHEEL ASS'Y*	TIRE ONLY	AIR VALVE	RIM ONLY	SLEEVE BEARING (2)
E600E	13 x 5	731-04044	734-1714A	734-1527	734-0255	734-1713A	741-0401
S610E	13 x 5	731-04044	734-1714A	734-1527	734-0255	734-1713A	741-0401
E640F	16 x 4.8	731-04043	734-1709A	734-1530	734-0255	734-1708A	741-0401
E660F	16 x 4.8	731-04043	734-1709A	734-1530	734-0255	734-1708A	741-0401
E6C0F	16 x 4.8	731-04043	734-1709A	734-1530	734-0255	734-1708A	741-0401
E660G	16 x 6.5	731-04043	734-1712A	734-1525	734-0255	734-1711A	741-0401

* A wheel assembly includes one tire, one air valve, one painted rim and two sleeve bearings

Models E640F, E660F, E6C0F & E660G

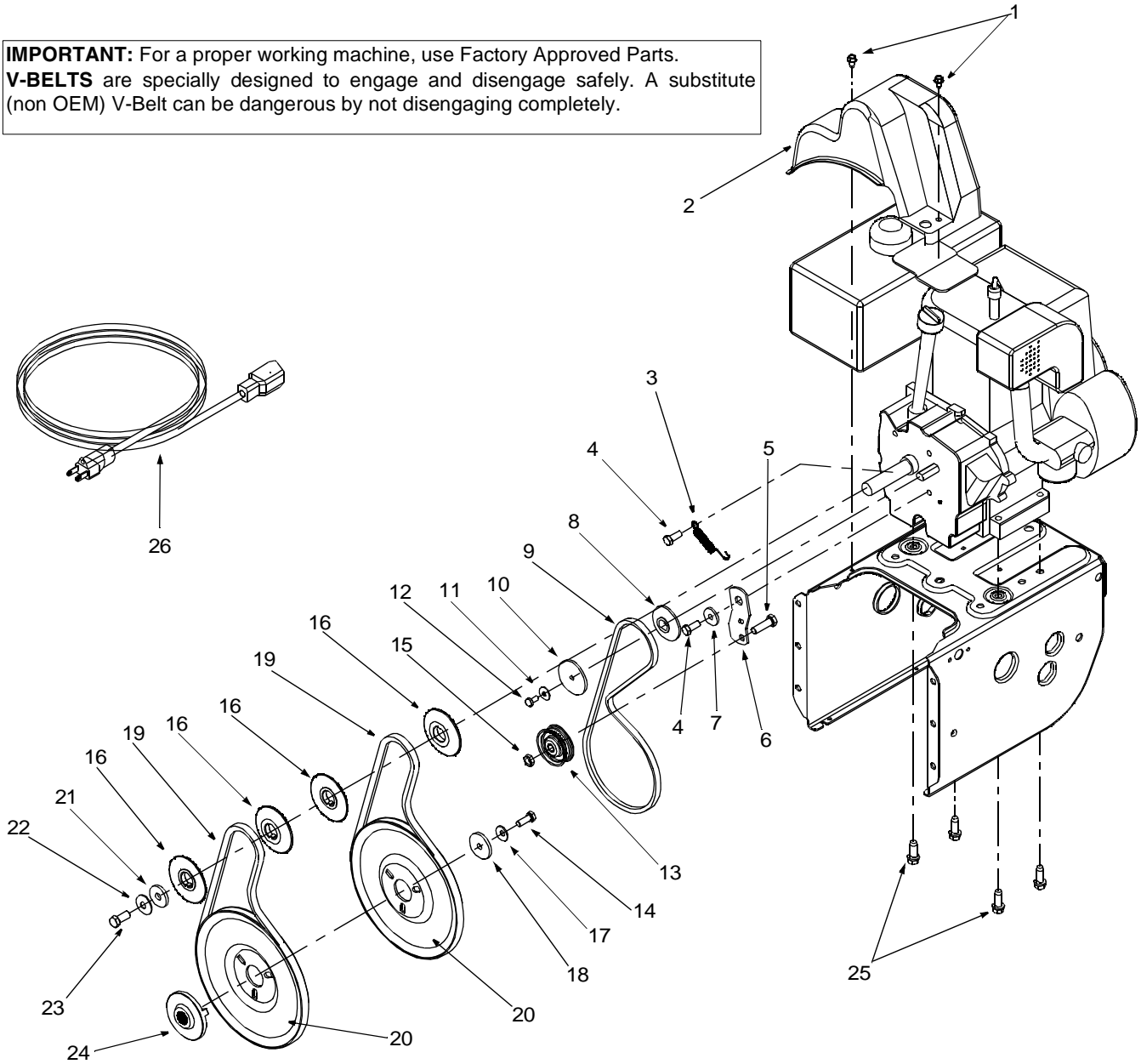


REF. NO.	PART NO.	DESCRIPTION
1	618-0123	RH Reducer Housing
2	618-0124	LH Reducer Housing
3	710-0642	Hex Screw 1/4-20 x .75
4	711-0908A	Spiral Axle 24"
	711-0909A	Spiral Axle 26"
	711-0910A	Spiral Axle 28"
5	714-0161	Key
6	715-0143	Pin-Spiral
7	717-0528	Worm Gear, 20T
8	717-0526	Worm Shaft
9	718-0186	Thrust Collar
10	721-0325	Grease Plug
11	721-0327	Grease Seal
12	736-0351	Flat Washer .76 x 1.5 x .030
13	736-0369	Flat Washer .508 x 1.0 x .020
14	736-0445	Flat Washer .76 x 1.5 x .060
15	741-0662	Flange Bearing .75 x 1.0 x .59
16	741-0663	Flange Bearing .75 x 1.0 x .925
17	618-0120A	Gearbox Ass'y. Complete 24"
	618-0121A	Gearbox Ass'y. Complete 26"
	618-0122A	Gearbox Ass'y. Complete 28"

NOTE: NOTE: When rebuilding a gearbox assembly, include 1.5 oz. of Alvania EP Lead-Free Grease (Part No. 737-0168)

Models E640F, E660F, E6C0F & E660G

IMPORTANT: For a proper working machine, use Factory Approved Parts.
V-BELTS are specially designed to engage and disengage safely. A substitute (non OEM) V-Belt can be dangerous by not disengaging completely.



REF. NO.	PART NO.	DESCRIPTION	REF. NO.	PART NO.	DESCRIPTION
1	710-1652	Hex Washer Screw 1/4-20 x .625	14	710-1245A	Lock Hex Cap Screw 5/16-24
2	731-1324	Belt Cover	15	712-0181	Lock Jam Nut 3/8-16
3	732-0710	Extension Spring	16	756-0569	Pulley Half
4	710-0627	Hex Screw 5/16-24 x .75	17	736-0242	Bell Washer
5	710-3005	Hex Cap Screw 3/8-16 x 1.25	18	736-0505	Flat Washer
6	05896A	Drive Clutch Idler Bracket	19	754-0430A	Belt
7	748-0234	Shoulder Spacer	20	756-0967	Auger Pulley
8	756-0987	Pulley Half	21	736-0247	Flat Washer 3/8 x 1.25 OD
9	754-0346	V-Belt	22	736-0331	Bell Washer
10	756-0986	Pulley Half	23	710-0696	Hex Cap Screw 3/8-24
11	736-0270	Bell Washer	24	748-0360	Pulley Adapter
12	710-0230	Hex Cap Screw 1/4-28 x .50	25	710-0654A	Hex Screw 3/8-16 x 1.0
13	756-0313	Flat Idler	26	629-0071	Extension Cord, Three-Prong