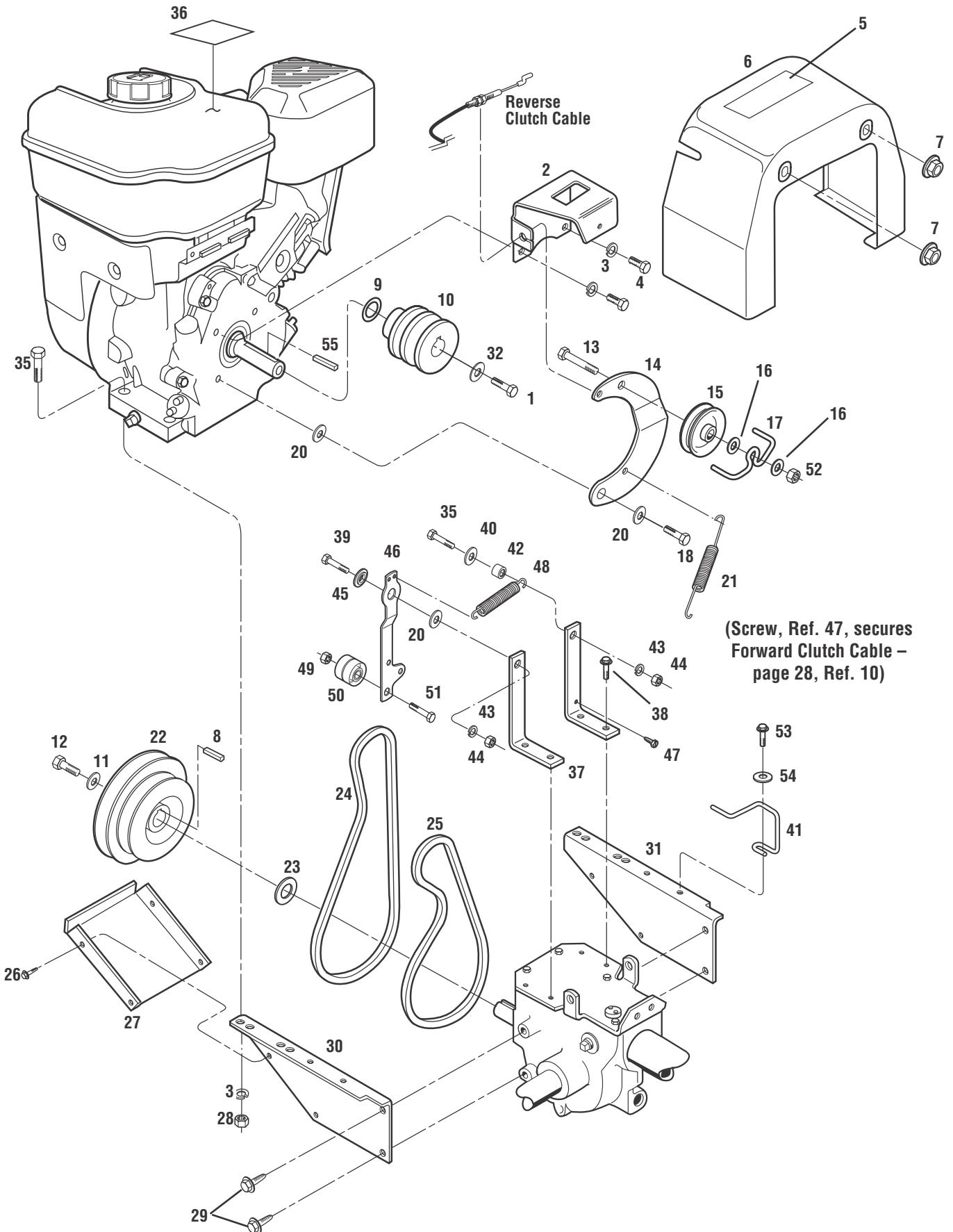


21A 664D 766

Screw Pack part# 821-100001

ENGINE, SUPPORT BRACKETS, PULLEYS, BELTS, BELT COVER



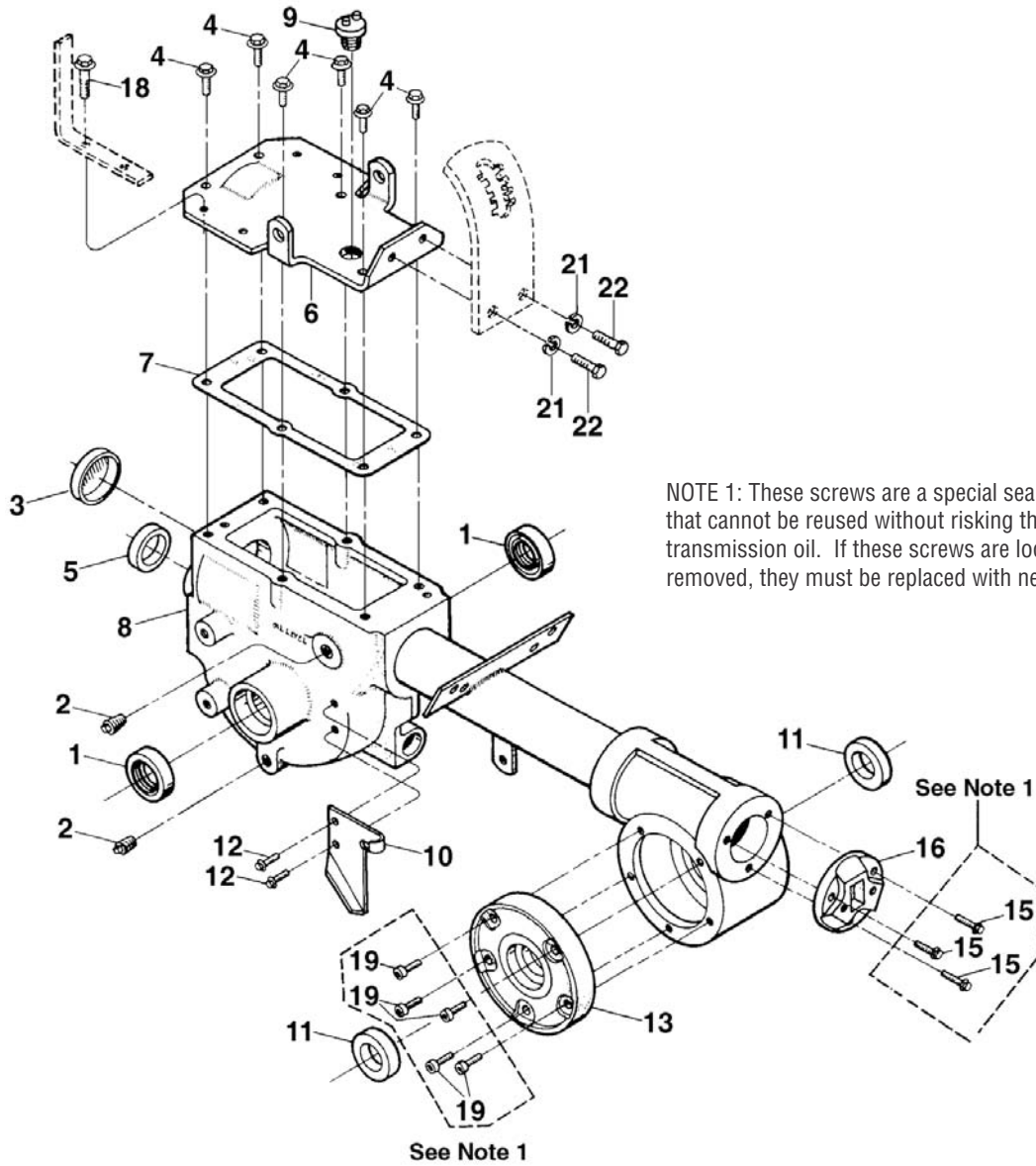
ENGINE, SUPPORT BRACKETS, PULLEYS, BELTS, BELT COVER

| REF. No. | PART No. | DESCRIPTION | QTY. | REF. No. | PART No. | DESCRIPTION | QTY. |
|-------------|-------------|---|------|-------------|-------------|--|------|
| 1 | 710-0539 | Screw, 3/8-24 x 1.75 | 1 | 28 | 712-0267 | Hex Nut, 5/16-18 | 4 |
| 2 | 1917326 | Bracket, Clutch Cable | 1 | 29 | 1186329 | Hex Flange Screw, 5/16-18 x 3/4* | 4 |
| 3 | 736-0119 | Lockwasher-5/16..... | 6 | 30 | 1916797 | Engine Support Bracket, left side | 1 |
| 4 | 710-0107 | Hex Hd. Screw, 5/16-24 x 1/2 | 2 | 31 | 1916796 | Engine Support Bracket, right side..... | 1 |
| 5 | 777S30651 | Decal, Hot Surfaces/Belt Warning | 1 | 32 | 736-0452 | Bell Washer | 1 |
| 6 | 1916659 | Cover | 1 | 35 | 710-0395 | Hex Hd. Screw, 5/16-18 x 2-1/4 | 5 |
| 7 | 712-3004A | Flange Lock Nut, 5/16-18..... | 2 | 36 | 777I20942 | Decal, Stabilization..... | 1 |
| 8 | 1108841 | Key, 3/16 x 1-1/2 | 1 | 37 | 1918774 | Mounting Bar | 2 |
| 9 | GW-1138-1 | Shim | 1 | 38 | GW-90063 | Hex Flange Screw, 5/16-18 x 1 | 4 |
| 10 | 619-04015 | Pulley, Engine Drive | 1 | 39 | 710-0805 | Hex Hd. Screw, 5/16-18 x 1-1/2* | 1 |
| 11 | GW-9944 | Belleville Washer | 2 | 40 | 736-0275 | Flat Washer, 5/16' | 1 |
| 12 | GW-9572 | Hex Hd. Screw, 5/16-24 x 1-1/8 | 1 | 41 | 1918846 | Belt Guide, Pony | 2 |
| 13 | 710-3103 | Hex Hd. Screw, 5/16-18 x 2 | 1 | 42 | GW-55088 | Pivot Bushing..... | 2 |
| 14 | 1918731 | Reverse Idler Arm | 1 | 43 | 736-0119 | Lockwasher, 5/16..... | 2 |
| 15 | 1916535 | Pulley, Reverse Idler | 1 | 44 | 712-3010 | Hex Nut, 5/16-18..... | 2 |
| 16 | 736-0159 | Flat Washer, 5/16 | 2 | 45 | 1917746 | Washer, Shoulder | 2 |
| 17 | 1916725 | Belt Guide, Wire Formed | 1 | 46 | 1918744 | Idler Arm, Forward Tiller Direction..... | 1 |
| 18 | 710-0117 | Hex Head Screw, 5/16-24 x 1..... | 1 | 47 | 1767754 | Screw, self tapping, #10-24 | 1 |
| 19 | 1917746 | Washer, Shoulder | 1 | 48 | 1916727 | Spring | 1 |
| 20 | 736-3078 | Washer, Flat, 1-1/8..... | 3 | 49 | 712-3000 | Hex Locknut, 5/16-18 | 1 |
| 21 | 1916728 | Spring, Reverse Return..... | 1 | 50 | GW-9090 | Idler Pulley, Forward | 1 |
| 22 | 1916522 | Transmission Pulley..... | 1 | 51 | 710-0347 | Screw, 3/8-16 x 1-3/4 | 1 |
| 23 | GW-1440 | Support Washer..... | 1 | 52 | 712-0158 | Hex Lock Nut, 5/16-18 | 1 |
| 24 | 1918812 | Reverse Clutch Belt..... | 1 | 53 | 1754128 | Screw, 1/4-20 x 3/4 | 1 |
| 25 | 1909404 | Forward Clutch Belt..... | 1 | 54 | 736-0463 | Flat Washer-1/4..... | 1 |
| 26 | 1900396 | Self-tapping Screw, #10-32 x 1/2, | 4 | 55 | 714-04029 | Key, .188 x 1.75 | 1 |
| 27 | GW-20339 | Guard, Belts/Pulleys..... | 1 | 56 | | 1 | |

* Specify GRADE 5 if ordering part locally.

** See your local authorized engine service dealer for engine parts or service. Refer to engine nameplate for engine type and code information.

TRANSMISSION HOUSING, COVERS, SEALS, GASKETS, PLUGS



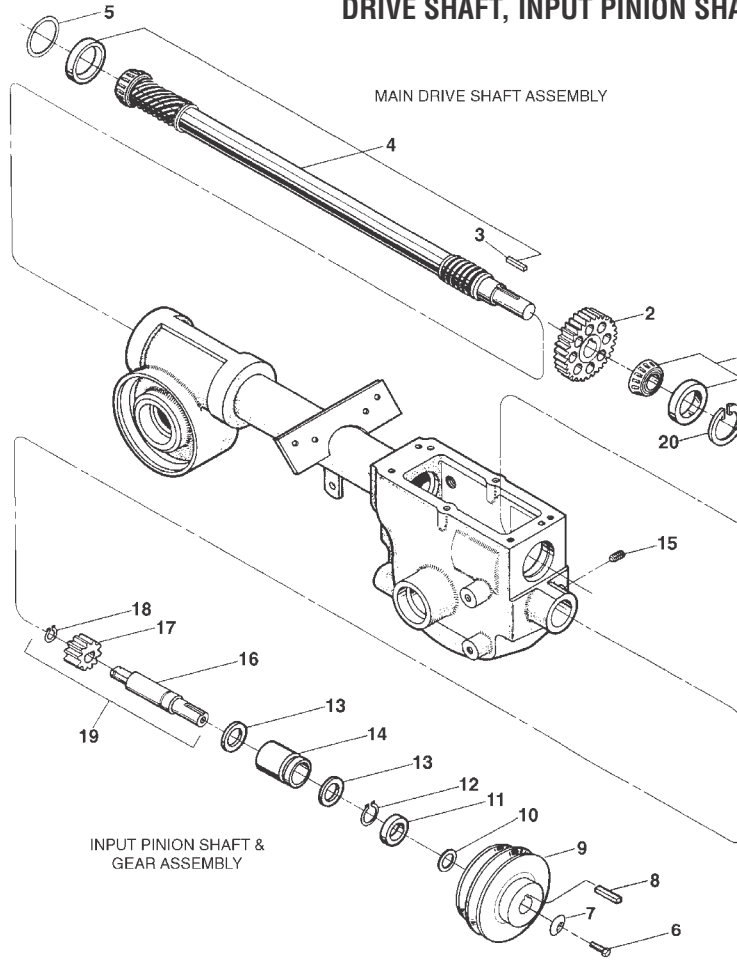
NOTE 1: These screws are a special sealing screw that cannot be reused without risking the loss of transmission oil. If these screws are loosened or removed, they must be replaced with new screws.

| REF. No. | PART No. | DESCRIPTION | QTY. | REF. No. | PART No. | DESCRIPTION | QTY. |
|----------|-----------|--|------|----------|-----------|---|------|
| 1 | 721-04031 | Oil Seal (Double Lip), Wheel Shaft | 2 | 11 | 721-04035 | Oil Seal, Tiller Shaft..... | 2 |
| 2 | 1105620 | Pipe Plug, 1/4, | 2 | 12 | 710-04049 | Housing Cover, left side..... | 1 |
| 3 | 721-04001 | Seal, Transmission Bore | 1 | 15 | 1915069 | Self-Sealing Screw, 1/4-20 x 7/8 | 3 |
| 4 | 1186329 | Hex Flange Screw, 5/16-18 x 3/4* | 6 | 16 | GW-1115 | Rear Bearing Cap | 1 |
| 5 | 721-04044 | Oil Seal, Input Pinion Shaft | 1 | 17 | GW-1124-2 | Gasket, Rear Bearing Cap, .010" Thick | A/R |
| 6 | GW-20910 | Transmission Cover | 1 | 18 | GW-90063 | Hex Flange Screw, 5/16-18 x 1* | 4 |
| 7 | GW-20694 | Gasket, Transmission Top Cover | 1 | 19 | 1915068 | Self-Sealing Screw, 1/4-20 x 5/8 | 5 |
| 8 | 619-04010 | Transmission Case Assy. | 1 | 21 | 736-0169 | Lockwasher, 3/8..... | 2 |
| 9 | GW-9467 | Plug | 1 | 22 | 710-0216 | Hex Hd. Screw, 3/8-16 x 3/4* | 2 |
| 10 | GW-20889 | Mounting Plate, Wheel Clutch Cable ... | 1 | | | | |

* Specify GRADE 5 if ordering part locally.

A/R – As Required

DRIVE SHAFT, INPUT PINION SHAFT and GEAR ASSEMBLIES



| REF. No. | PART No. | DESCRIPTION | QTY. |
|-------------------------|-----------|--|------|
| MAIN DRIVE SHAFT | | | |
| 1 | GW-1714 | Bearing, Tapered Roller with Race | 1 |
| 2 | GW-20718 | Spur Gear | 1 |
| 3 | GW-9301 | Key, 3/16 sq. x 1 | 1 |
| 4 | GW-20912 | Main Drive Shaft (Drive shaft is one-piece with integral, single-lead, work-hardened front worm, and integral, six-lead, work-hardened rear worm. Also includes pressed-on GW-1714 and GW-9301)..... | 1 |
| 5 | GW-1224-1 | Shim, Rear Bearing Cap, .010" thick (see Note below) | A/R |
| 5 | GW-1224-2 | Shim, same as above, but .030" thick (see Note)..... | A/R |
| 5 | GW-1224-3 | Shim, same as above, but .005" thick (see Note)..... | A/R |
| ... | GW-1325C | Shim Set (Incl. two GW-1224-1; two 1224-2 and one GW-1224-3) | A/R |

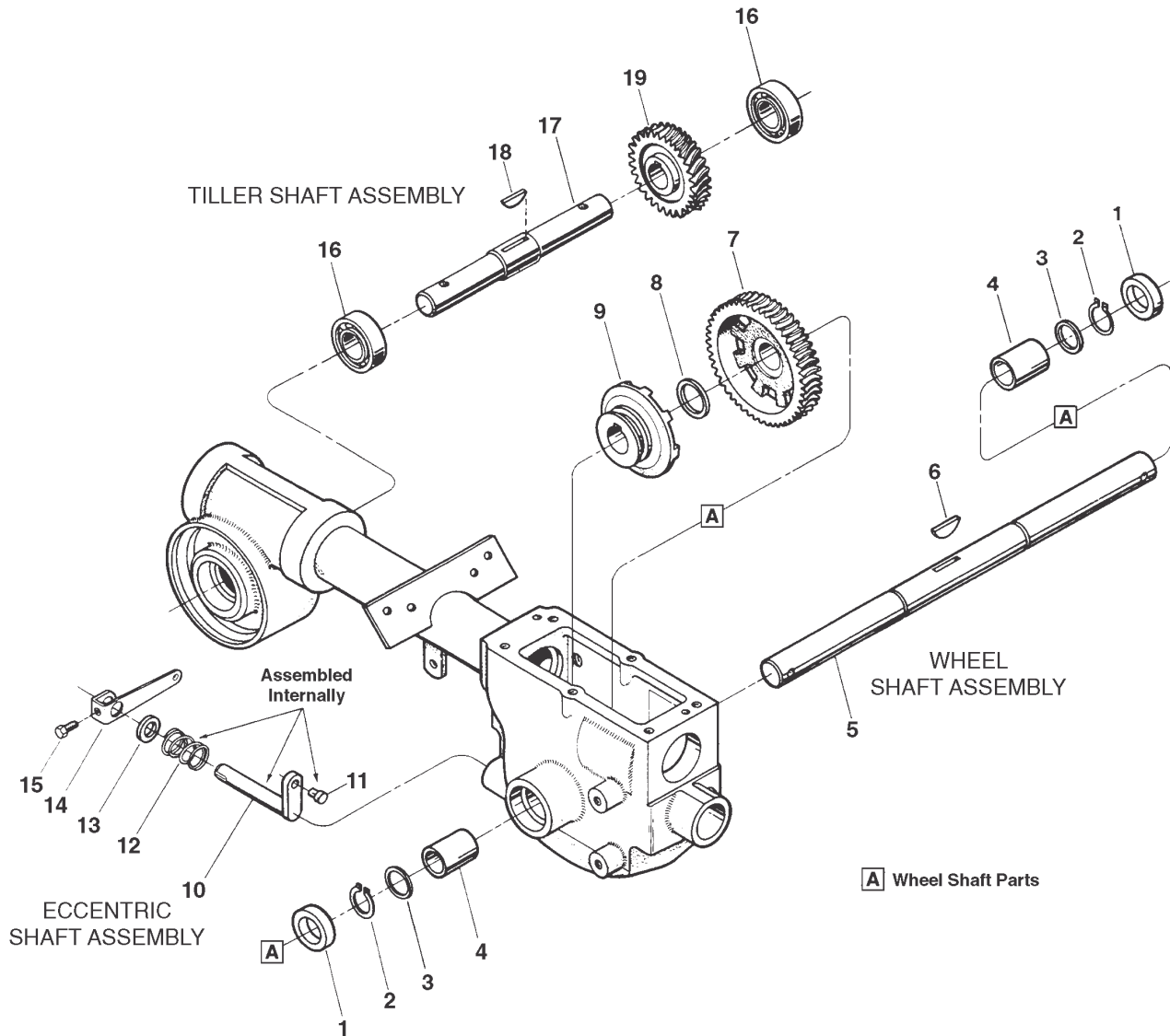
| REF. No. | PART No. | DESCRIPTION | QTY. |
|---|-----------|---|------|
| INPUT PINION SHAFT & GEAR ASSEMBLY | | | |
| 6 | GW-9572 | Hex Hd. Screw, 5/16-24 x 1-1/8* | 1 |
| 7 | GW-9944 | Washer, Disc Spring (concave surface faces pulley)..... | 1 |
| 8 | 1108841 | Key, 3/16 sq. x 1-1/2 | 1 |
| 9 | 1916522 | Transmission Drive Pulley..... | 1 |
| 10 | GW-1440 | Support Washer | 1 |
| 11 | 721-04044 | Oil Seal, Input Pinion Shaft..... | 1 |
| 12 | 1113527 | Retaining Ring (external) | 1 |
| 13 | GW-9953 | Thrust Washer..... | 2 |
| 14 | GW-9428 | Bushing | 1 |
| 15 | GW-9677 | Set Screw, 5/16-18 x 3/8* | 1 |
| 16 | GW-20791 | Input Pinion (steel shaft)..... | 1 |
| 17 | GW-20792 | Input Pinion Gear | 1 |
| 18 | GW-9093 | Retaining Ring (external) I..... | 1 |
| 19 | GW-20799 | Pinion Assy. (Incl. one each Refs. 16, 17 and 18 | A/R |
| 20 | GW-9517 | Retaining Ring (internal) | 1 |

NOTE: Shim between drive shaft rear bearing and rear bearing cap to achieve 5-to-10 thousandths of an inch (.005-.010) end play on drive shaft.

A/R - As Required

* Specify GRADE 5 if ordering part locally.

WHEEL SHAFT, ECCENTRIC SHAFT and TILLER SHAFT ASSEMBLIES



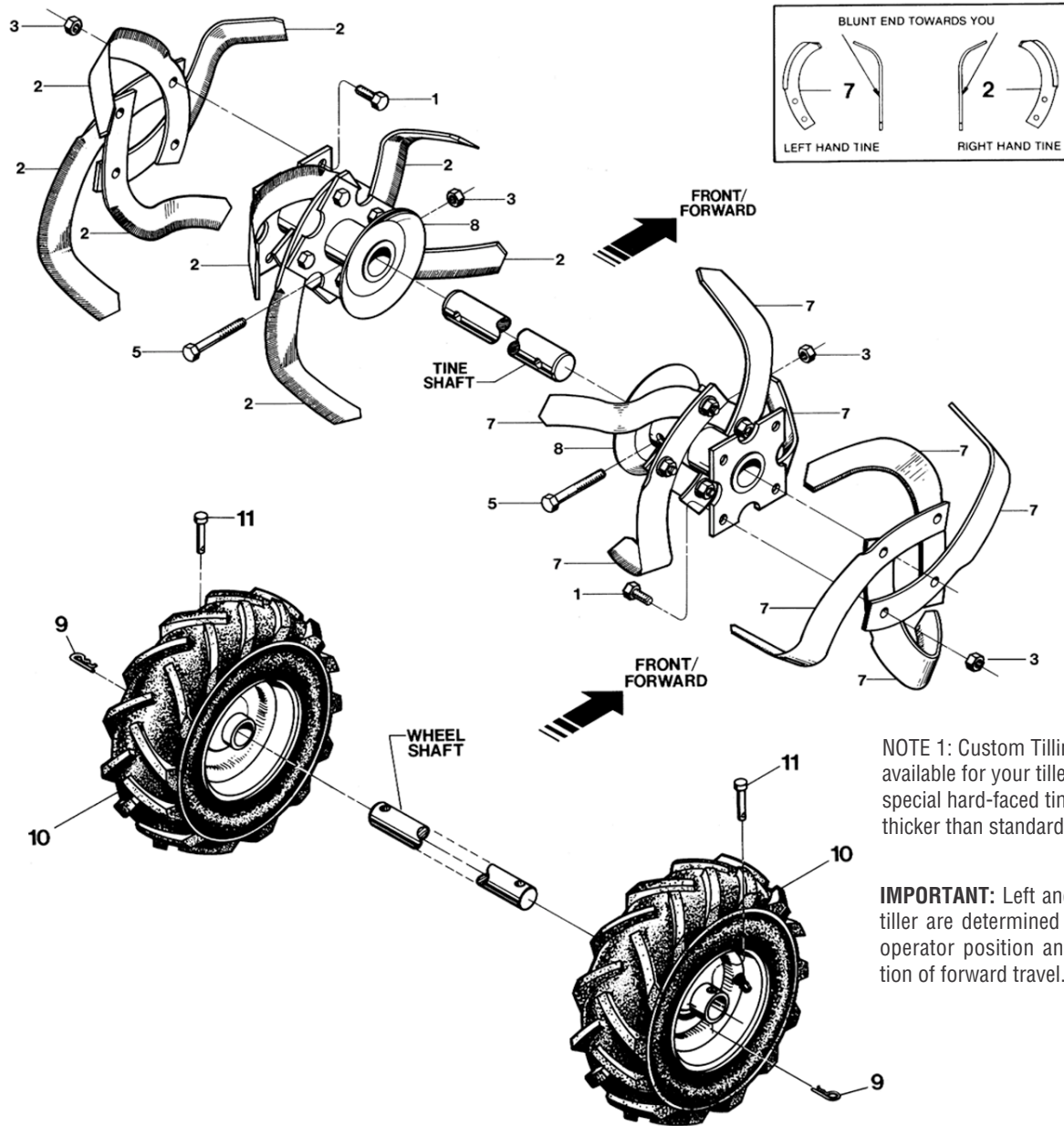
| REF. No. | PART No. | DESCRIPTION | QTY. |
|----------|-----------|---|------|
| 1 | 721-04031 | Oil Seal | 2 |
| 2 | 1909950 | Retaining Ring (heavy-duty, external) | 2 |
| 3 | GW-1166-1 | Shim, 1-1/64 I.D., .062" thick | A/R |
| --- | GW-1166-2 | Shim, as above, but .030" thick | A/R |
| --- | GW-1166-3 | Shim, as above, but .015" thick | A/R |
| --- | GW-1166-4 | Shim, as above, but .010" thick | A/R |
| 4 | GW-1086 | Bushing | 2 |
| 5 | 711-04091 | Wheel Shaft | 1 |
| 6 | GW-9373 | Hi-Pro Key, 1/4 x 1-5/16 | 1 |
| 7 | GW-20914 | Wheel Drive Worm Gear (cast-iron) .. | 1 |
| 8 | GW-9935 | Shim (between key and gear), 1.016 I.D. x 1.468 O.D. x .062 Thick | 1 |

| REF. No. | PART No. | DESCRIPTION | QTY. |
|----------|-----------|---------------------------------------|------|
| 9 | GW-20712 | Wheel Drive Clutch (cast-iron) | 1 |
| 10 | 611-04002 | Eccentric Shaft | 1 |
| 11 | GW-1442 | Pin, Eccentric Shaft | 1 |
| 12 | GW-9055 | Spring | 1 |
| 13 | 721-04034 | Oil Seal | 1 |
| 14 | 786-04001 | Eccentric Shaft Lever | 1 |
| 15 | 710-3013 | Hex Hd. Screw, 1/4-20 x 1/2* | 1 |
| 16 | 741-3037 | Ball Bearing | 2 |
| 17 | 711-04080 | Tiller Shaft | 1 |
| 18 | GW-1104 | Woodruff Key, 1/4 x 1-1/4 | 1 |
| 19 | GW-20913 | Tiller Drive Worm Gear (bronze) | 1 |

* Specify GRADE 5 if ordering part locally.

A/R - As Required

BOLO TINES, WHEELS



NOTE 1: Custom Tilling Tines are available for your tiller. These are special hard-faced tines that are thicker than standard tines.

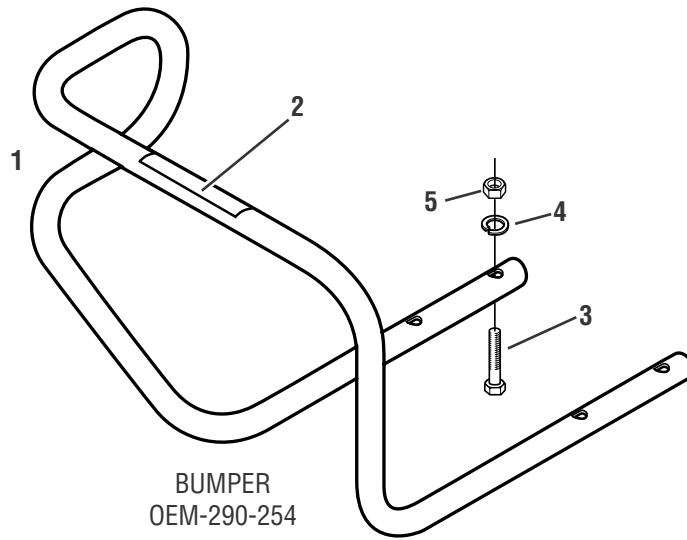
IMPORTANT: Left and right sides of tiller are determined by standing in operator position and facing direction of forward travel.

| REF. No. | PART No. | DESCRIPTION | QTY. |
|----------|-----------|---|------|
| 1 | 710-0514 | Hex Hd. Screw, 3/8-16 x 1* | 16 |
| 2 | GW-1270-2 | Bolo Tine-single. Right hand tine used on left side of tiller | 8 |
| 3 | 712-3000 | Hex Locknut, 3/8-16 | 18 |
| 5 | 710-3096 | Hex Hd. Screw, 3/8-16 x 2, Grade 8 | 2 |
| 7 | GW-1270-1 | Bolo Tine-single. Left hand tine used on right side of tiller | 8 |
| 8 | 1902154 | Tine Holder. For left and right sides | 2 |
| -- | 1901118 | Bolo Tine Replacement Set (Incl. eight ea. right hand and left hand tines, and sixteen ea. Refs. 1 and 3) | 1 |

| REF. No. | PART No. | DESCRIPTION | QTY. |
|----------|-----------|---|------|
| -- | GW-2475-1 | Custom Tilling Bolo Tine, Left hand tine (see Note 1 above) | 8 |
| -- | GW-2475-2 | Custom Tilling Bolo Tine, Right hand tine (see Note 1 above) | 8 |
| -- | GW-10802 | Custom Tilling Bolo Tine Replacement Set (Incl. eight ea. right hand and left hand custom tines, and sixteen each of Refs. 1 and 3) | 1 |
| 9 | GW-9338 | Hitch Pin | 2 |
| 10 | 1917487 | Wheel and Tire Assembly | 2 |
| 11 | GW-9380 | Clevis Pin, .312 x 1-3/4 | 2 |

* Specify GRADE 5 if ordering part locally.

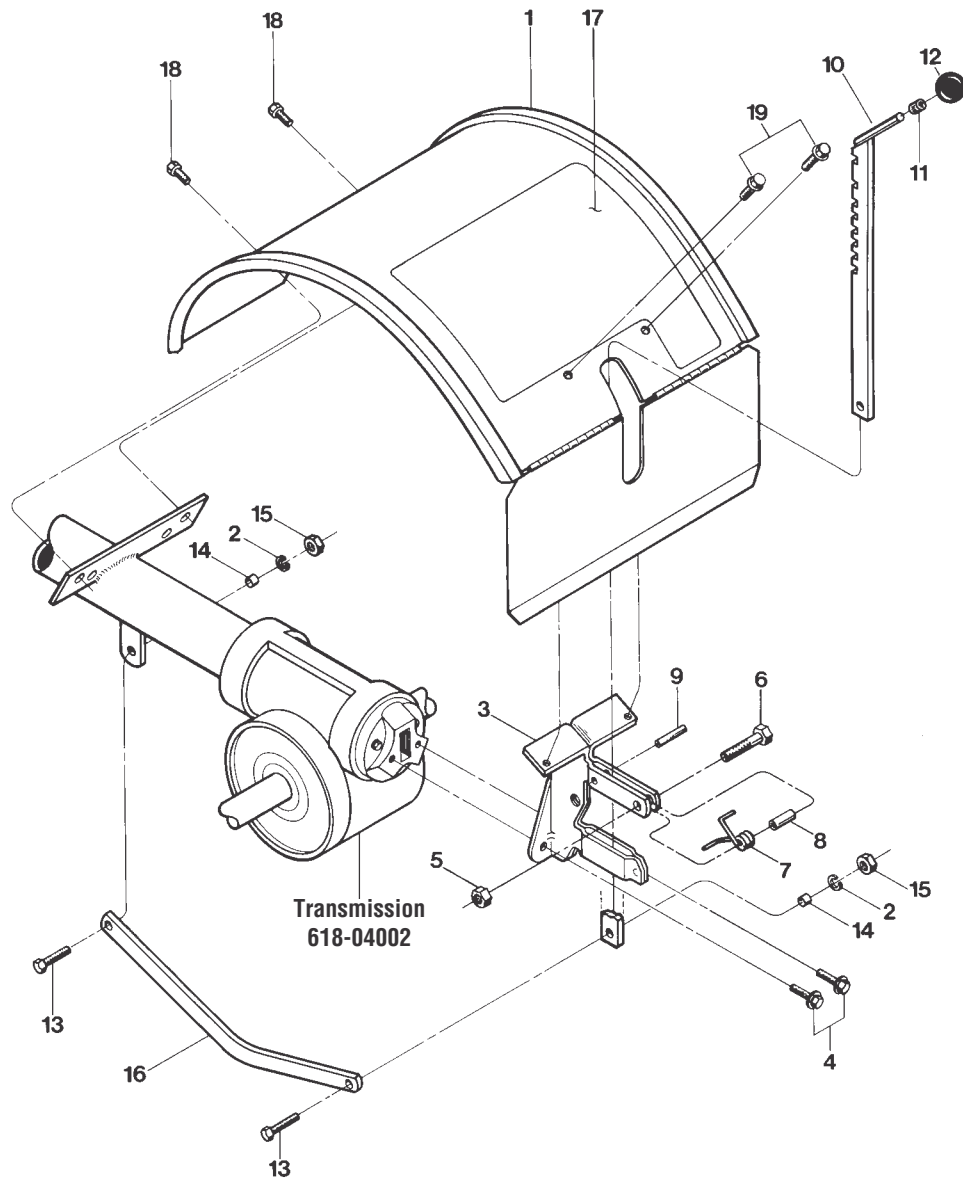
BUMPER ATTACHMENT



| REF No. | PART No. | DESCRIPTION | QTY. |
|-----------------------------|-----------|---|------|
| Bumper – OEM-290-254 | | | |
| 1 | 1918749 | Bumper | 1 |
| 2 | 777S30653 | Decal - Caution | 1 |
| 3 | 710-0395 | Screw-hex hd., 5/16-18 x 2-1/4* (included in hardware kit) | 4 |
| 4 | 736-0119 | Lockwasher-5/16* (included in hardware kit) | 4 |

| REF No. | PART No. | DESCRIPTION | QTY. |
|---------|----------|--|------|
| 5 | 712-0267 | Nut-hex, 5/16-18* (included in hardware kit) | 4 |
| --- | 1918781 | Hardware Kit: Incl. four each of Refs. 3, 4 and 5 | 1 |

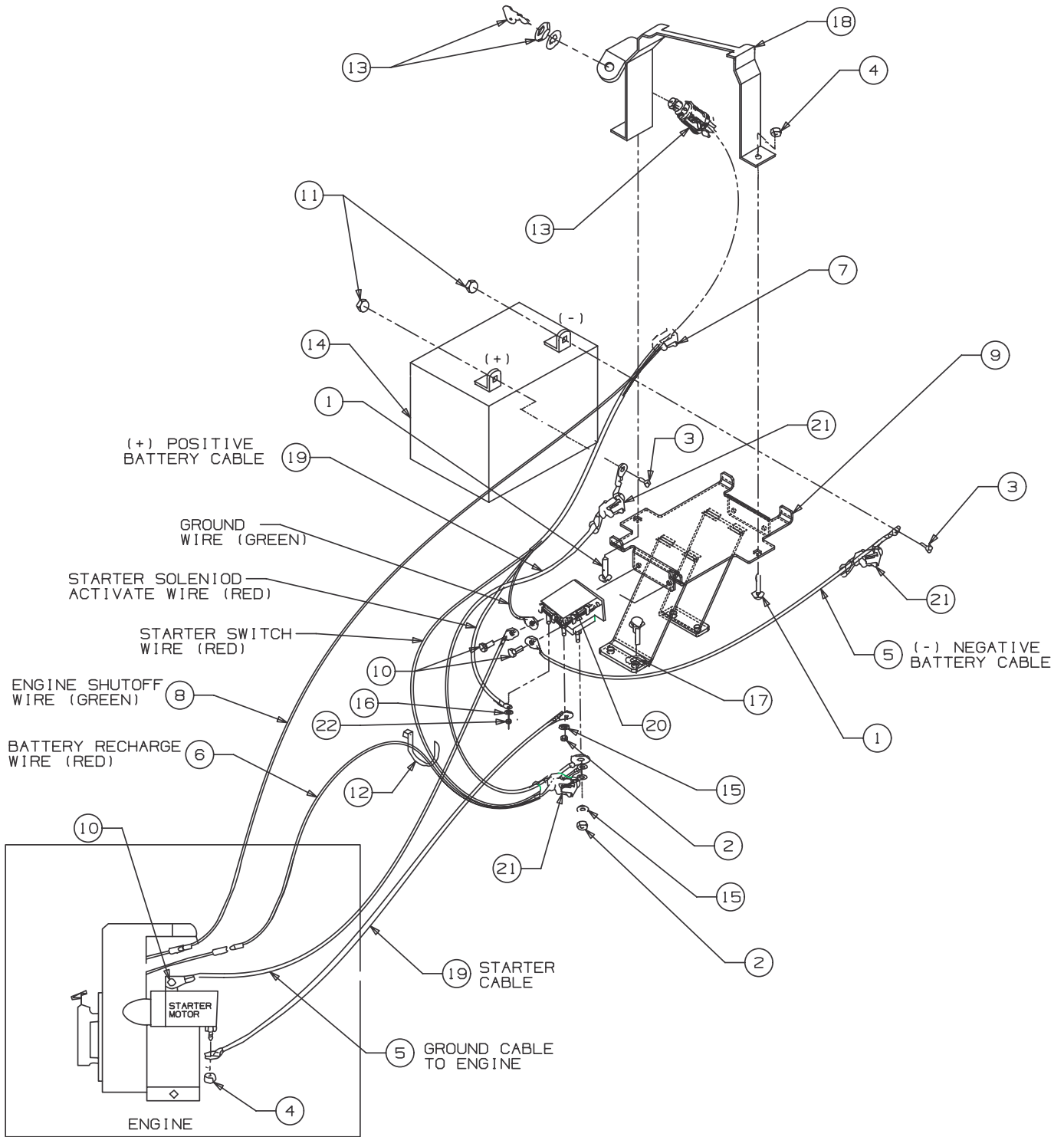
HOOD, BRACKET and DEPTH REGULATOR



| REF. No. | PART No. | DESCRIPTION | QTY. |
|----------|-----------|--|------|
| 1 | 686-04013 | Tine Hood | 1 |
| 2 | 710-0169 | Lockwasher, 3/8..... | 2 |
| 3 | GW-2525 | Bracket-hood & depth regulator | 1 |
| 4 | 710-04049 | Hex Flange Screw, 5/16-18 x 5/8* | 2 |
| 5 | 712-0291 | Hex Locknut, 1/4-20 | 1 |
| 6 | 710-0597 | Hex Hd. Screw, 1/4-20 x 1* | 1 |
| 7 | GW-9384 | Spring | 1 |
| 8 | GW-9534 | Spacer..... | 1 |
| 9 | 1185469 | Roll Pin (spiral), 1/4 x 1 | 1 |
| 10 | GW-1117A | Depth Adjustment Bar Assembly (Incl. Refs. 11 and 12) | 1 |

| REF. No. | PART No. | DESCRIPTION | QTY. |
|----------|-----------|--|------|
| 11 | GW-9120 | Retaining Ring (tolerance ring) | 1 |
| 12 | GW-9119 | Knob, Depth Regulator (Incl. Ref. 11). | 1 |
| 13 | 710-3005 | Hex Hd. Screw, 3/8-16 x 1-1/4* | 2 |
| 14 | GW-1113-1 | Bushing, Drag Bar | 2 |
| 15 | 712-3017 | Hex Nut, 3/8-16..... | 2 |
| 16 | GW-20775 | Drag Bar | 1 |
| 17 | 777S30649 | Decal, operating instructions | 1 |
| 18 | 710-0759 | Hex Hd. Screw, self-tapping, 5/16-18 x 5/8* | 2 |
| 19 | 710-0599 | Hex Flange Screw, self-tapping, 1/4-20 x 1/2* | 2 |

* Specify GRADE 5 if ordering part locally.



ELECTRIC START ASSEMBLY

| REF. No. | PART No. | DESCRIPTION | QTY. | REF. No. | PART No. | DESCRIPTION | QTY. |
|-------------|-------------|--|------|-------------|-------------|---|------|
| 1 | 1186073 | Carriage Screw, 1/4-20 x 1.25..... | 2 | 8 | 1917262 | Ground Wire Assy. (shut off) | 1 |
| 2 | 1186211 | Hex Nut, 5/16-24..... | 2 | 9 | 686-04024 | Battery Bracket Assembly, Pony..... | 1 |
| 3 | 1186390 | Flange Screw, 1/4-20 x .625..... | 2 | 10 | 710-0599 | Self-tapping Screw, 1/4-20 x .5..... | 3 |
| 4 | 1186389 | Hex Locknut, 1/4-20..... | 2 | 11 | 712-3006 | Hex Nut, 1/4-20..... | 2 |
| 5 | 1901202 | Cable (ground wire to starter motor bracket)..... | 2 | 12 | 725-0157 | Cable Tie..... | 1 |
| 6 | 1901894 | Recharge Wire Assembly | 1 | 13 | 725-0267 | Ignition Switch | 1 |
| 7 | 1908118 | Wire Harness Assy. (available as complete assembly only). Incl. wire assy. w/connector to large solenoid stud (red wire); wire assy. w/connector to small solenoid stud (red wire); wire assy. w/connector to solenoid grounding screw (red wire); wire assy w/connector to engine ground shut-off (green wire); plastic protector tube; wire terminal | 1 | 14 | 725-1706 | Battery, 270 CCA | 1 |
| | | | | 15 | 736-0119 | Lock Washer 5/16 | 2 |
| | | | | 16 | 736-0147 | Lock Washer, #10 | 1 |
| | | | | 17 | 736-0607 | External Lock Washer, 5/16..... | 2 |
| | | | | 18 | GW-2614 | Keyswitch Clamp | 1 |
| | | | | 19 | 96510 | Cable (solenoid to starter motor) | 1 |
| | | | | 20 | 96514 | Solenoid (Incl. nuts and washers for cables and wires) | 1 |
| | | | | 21 | 97020 | Boot, Insulating | 2 |
| | | | | 22 | 9853 | Hex Locknut, #10-32..... | 1 |
| | | | | — | 777S30648 | Label, Ignition Switch..... | 1 |