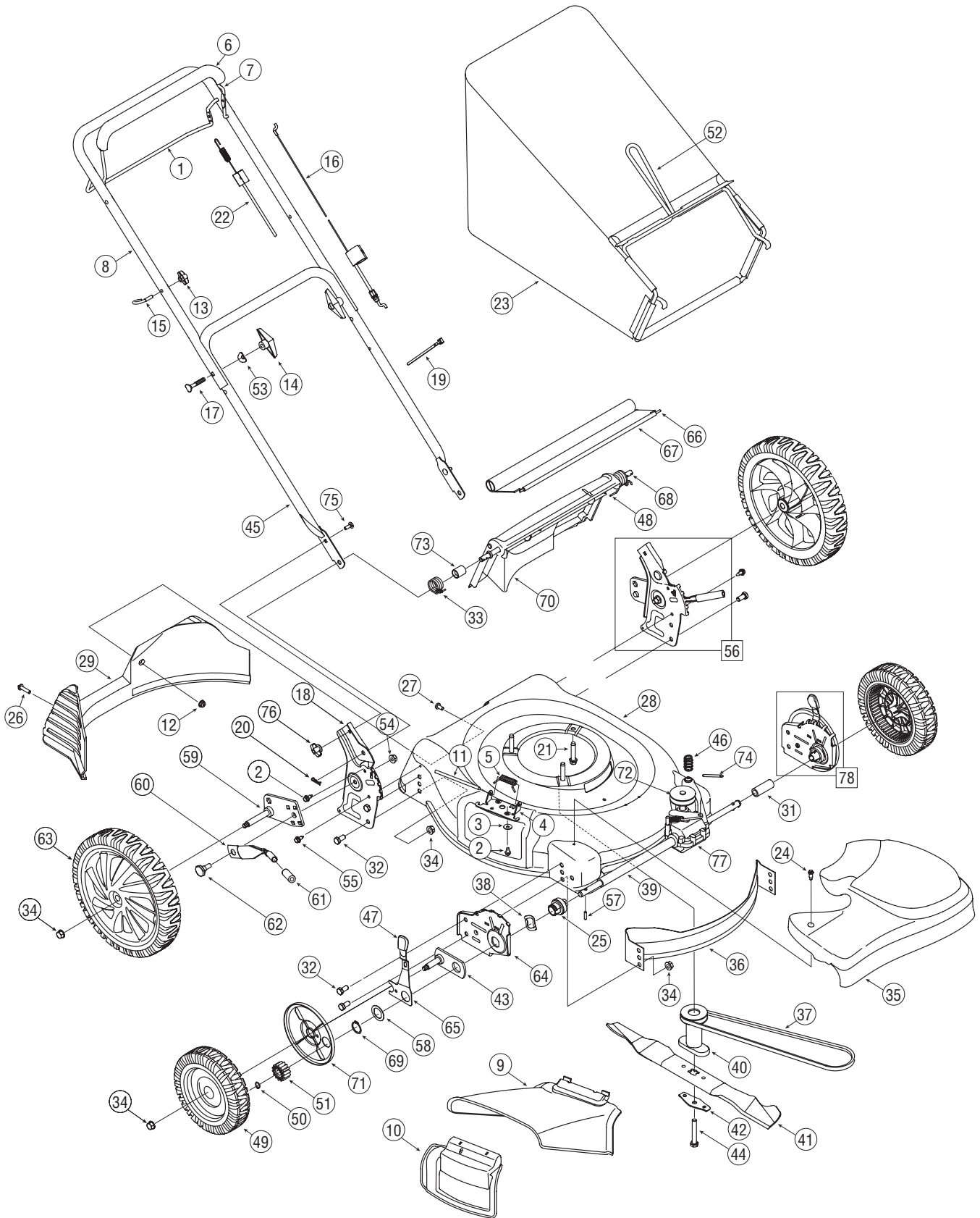


SECTION 10: PARTS LIST FOR MODEL SERIES 560



Model Series 560

Ref. No	Part No.	Description	Ref. No	Part No.	Description
1.	747-1214	Drive Control	43.	687-02044	Pivot Plate Assembly
2.	710-0599	TT Screw 1/4-20 x 0.5	44.	710-1257	Hex Screw 3/8-24 x 2.50
3.	736-0270	Bell Washer.265 x 0.75	45.	749-0928A	Lower Handle
4.	17032A	Deflector Chute Adapter	46.	732-1043	Belt Tension Spring
5.	732-1014	Torsion Spring	47.	720-0426	Adjustment Knob
6.	731-2626†	Deluxe Bail Cover	48.	732-04089A	Torsion Spring - LH
7.	747-1161A	Blade Control	49.	634-04100	Front Wheel, 8 x 1.8
8.	749-1092A	Upper Handle	50.	716-0865	Snap Ring
9.	731-04177	Chute Deflector	51.	717-1762	Gear 14T RH FWD
10.	687-02055	Mulch Plug Complete		717-1761	Gear 14T LH FWD
11.	747-0710	Hinge Pin	52.	747-04080	Grass Bag Frame
12.	712-04064	Flange Lock Nut, 1/4-20	53.	736-0451	Saddle Washer
13.	720-0279	Handle Knob	54.	712-3005	Hex Flange Lock Nut 3/8-16
14.	720-0284	Handle Knob	55.	710-1652	TT Scr. w/Washer 1/4-20 x.625
15.	710-1205	Eye Bolt	56.	687-02057	Handle Bracket Assembly - LH
16.	746-1113	Control Cable - 37.75"		687-02056	Handle Bracket Assembly - RH
17.	710-1174	Carriage Bolt 5/16-18 x 2.0	57.	715-0221	Dowel Pin
18.	687-02033	Handle Bracket - RH	58.	736-0474	Washer
	687-02031	Handle Bracket - LH	59.	687-02039	Pivot Arm Assembly - RH
19.	726-0240	Cable Tie		687-02040	Pivot Arm Assembly - LH
20.	714-0104	Cotter Pin	60.	732-0866	Rear Spring Lever
21.	710-0654A	Self-Tapping Sems Screw	61.	720-0312	Foam Grip
22.	746-04112A	Drive Cable - 50.50"	62.	738-0507B	Shoulder Scr.500 Dia. x.434
23.	664-04027	Grassbag Assembly	63.	734-04089	Rear Wheel, 12 x 1.8
24.	710-1650	Shoulder Screw # 12 -24	64.	782-0512B	Height Adjuster Plate - RH
25.	682-0015	Front Bearing Assembly		782-0511A	Height Adjuster Plate - LH
26.	710-04371	Screw, 1/4-15 x 1.25	65.	732-0706	Front Lever - RH
27.	710-0286	Screw, 1/4-20 x.500		732-0707	Front Lever - LH
28.	787-01222	21" Deck	66.	732-0700	Wire
29.	731-04150	Rear Baffle	67.	731-04998	Rear Trailing Shield
30.	731-1426A†	Hub Cap (Not Shown)	68.	747-0996	Pivot Rod
31.	750-1166	Slev. Spacer 2.1" Lg.	69.	716-0102	Snap Ring
32.	710-0216	Hex Screw 3/8-16 x.75	70.	731-04134A	Rear Discharge Door
33.	732-04090A	Torsion Spring - RH	71.	782-7551A	Wheel Dust Cap
34.	712-0431	Flange Lock Nut 3/8-16	72.	756-04017	Input Pulley
35.	731-05021	Transmission Cover (Yellow)	73.	750-04162	Spacer.375 x.50 x 1.02" Lg.
36.	782-5002B	Front Baffle	74.	715-04011	Roll Pin
37.	754-0637A	V-Belt	75.	710-0703	Carriage Bolt 1/4-20
38.	736-0447	Wave Washer	76.	712-0397	Wing Nut
39.	750-04178	Sleeve Spacer 9.04" Lg.	77.	618-0657	Transmission Assembly
40.	748-04015A	Blade Adapter w/ Pulley	78.	682-0512A	Height Adjustment Assembly - RH
41.	742-0741	21" Mulching Blade		682-0511A	Height Adjustment Assembly - LH
42.	736-0524B	Blade Bell Support			

† If Equipped