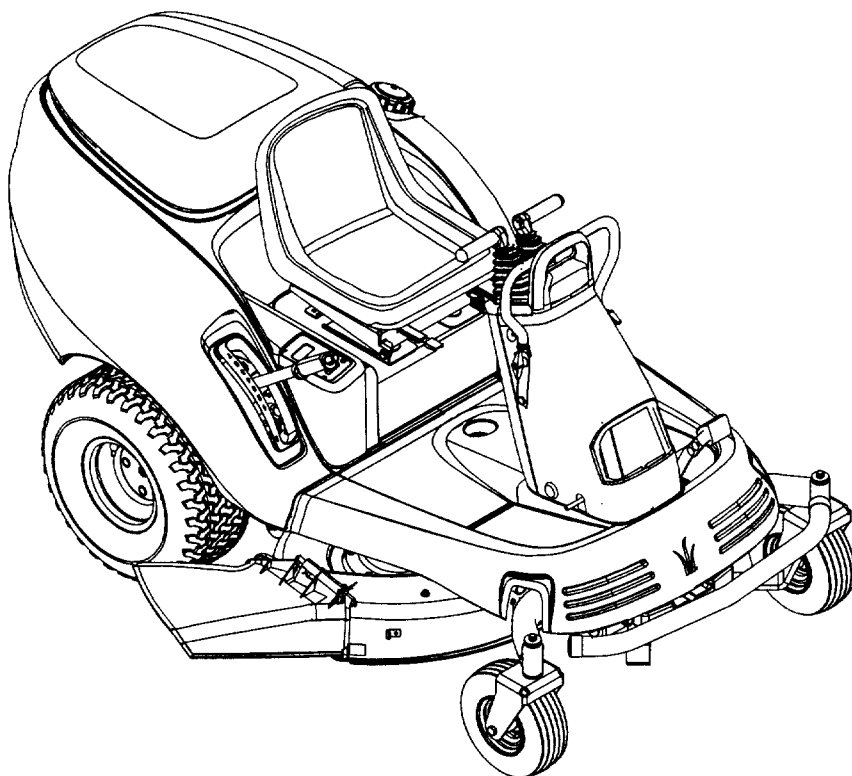




# OPERATOR'S MANUAL



**Model**  
**53AA1A3G401**

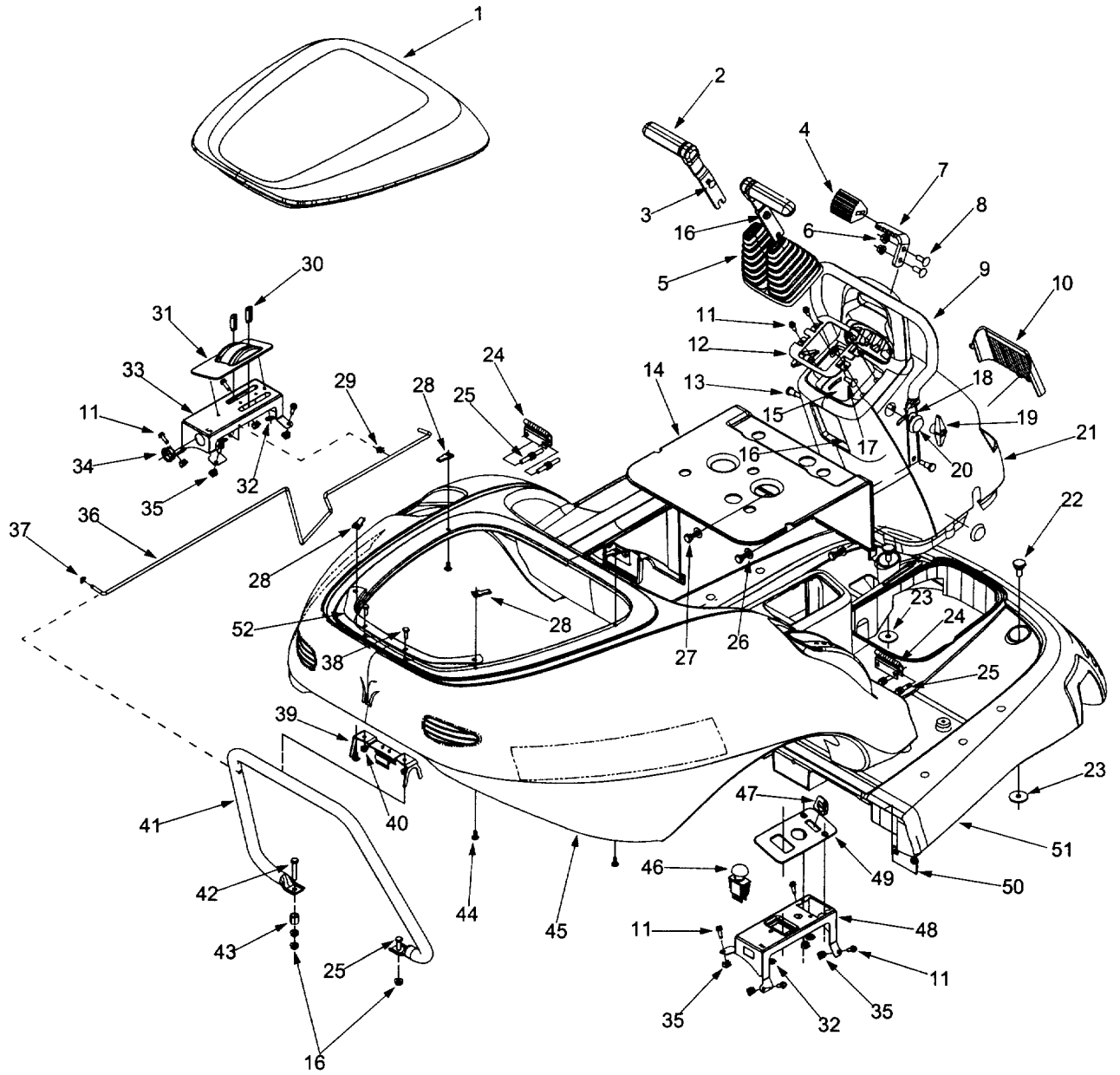


## **IMPORTANT: READ SAFETY RULES AND INSTRUCTIONS CAREFULLY**

**Warning:** This unit is equipped with an internal combustion engine and should not be used on or near any unimproved forest-covered, brush-covered or grass-covered land unless the engine's exhaust system is equipped with a spark arrester meeting applicable local or state laws (if any). If a spark arrester is used, it should be maintained in effective working order by the operator. In the State of California the above is required by law (Section 4442 of the California Public Resources Code). Other states may have similar laws. Federal laws apply on federal lands. A spark arrester for the muffler is available through your nearest engine authorized service dealer or contact the service department, P.O. Box 368022 Cleveland, Ohio 44136-9722.

FORM NO. 770-10326A  
(4/00) rev

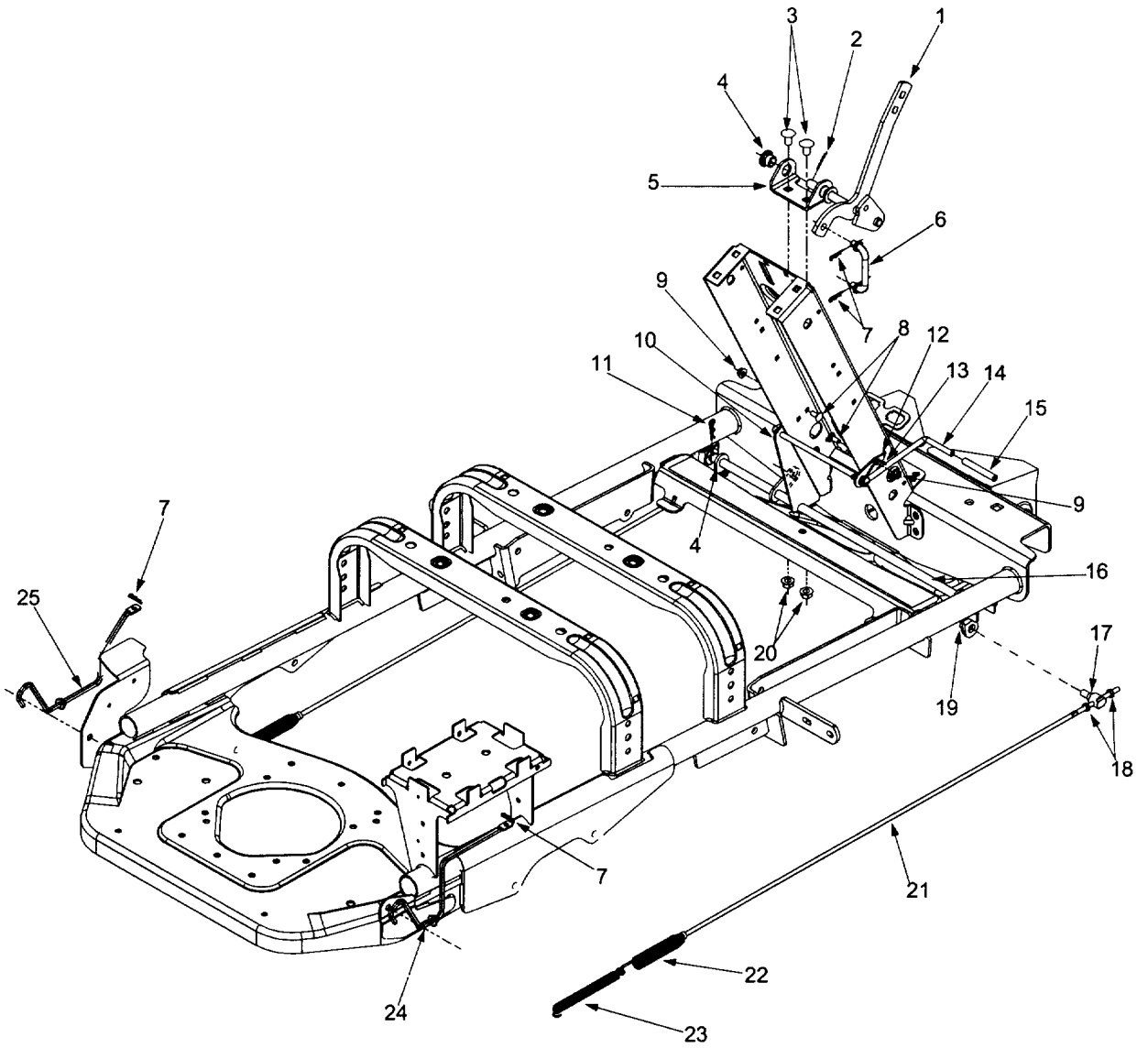
# Model 53AA1A3G401



# Model 53AA1A3G401 Engine Cover & Control Panel

REF. NO.	PART NO.	DESCRIPTION	REF. NO.	PART NO.	DESCRIPTION
1.	731-3326	Engine Cover	27.	738-0296	Shoulder Screw .437 x .286
2.	731-3263	Control Handle	28.	712-0185	Speed U-Type Nut 1/4-20
3.	710-0451	Carriage Bolt 5/16-18 x .750	29.	732-0830	Spring Clip
4.	735-0251	Foot Pad	30.	720-0302	Lever
5.	731-3185	Bellow	31.	731-3195A	Control Panel LH
6.	712-0431	Flange Lock Nut 3/8-16	32.	726-3047	Push Nut
7.	703-2807B	Mounting Bracket	33.	603-0424	Control Panel Asm LH
8.	710-3168	Carriage Bolt 3/8-16	34.	723-3042	Snap Bushing
9.	749-3081	Cruise Control Handle	35.	712-0453	Retainer Nut 1/4-20
10.	731-3128A	Lens	36.	747-3303	Support Rod
11.	710-0642	Hex Washer Screw 1/4-20 x .750	37.	726-0106	Speed Cap 1/4
12.	703-2648	Bellow Retainer Bracket	38.	710-3015	Hex Cap Screw 1/4-20 x .75
13.	738-0754	Shoulder Screw .437 x .54	39.	603-0643	Spring Clip Bracket Asm
14.	731-3325	Seat Base	40.	712-3027	Hex Flange Nut 1/4-20
15.	703-3288	Cruise Control Mounting Bracket	41.	749-3082	Engine Support Tube
16.	712-3004A	Flange Lock Nut 5/16-18	42.	710-3180	Hex Cap Screw 5/19-18 x 1.75
17.	710-0276	Carriage Screw 5/16-18 x 1.0	43.	750-3200	Spacer
18.	736-0242	Bell Washer .340 ID x .872 OD	44.	710-0946	Machine Screw 1/4-20 x .625
19.	720-0241	Wing Nut Knob 5/16-18	45.	731-3327	Body
20.	726-0289	Plug	46.	725-3233	Electric PTO Knob
21.	731-3329	Console	47.	703-1341B	Key
22.	738-3163A	Shoulder Screw .75 x .245 3/8-16	48.	603-0425	Control Panel Asm RH
23.	736-3039	Flat Washer .406 x 1.5	49.	731-3196	Control Panel Cover RH
24.	703-2928	Body Hinge	50.	603-0578	Body Mounting Plate Asm
25.	710-0376	Hex Cap Screw 5/16-18 x 1.0	51.	731-3328	Front Body Floor
26.	736-0226	Flat Washer .474 ID x .879 OD	52.	703-3078	Support Latch Bracket

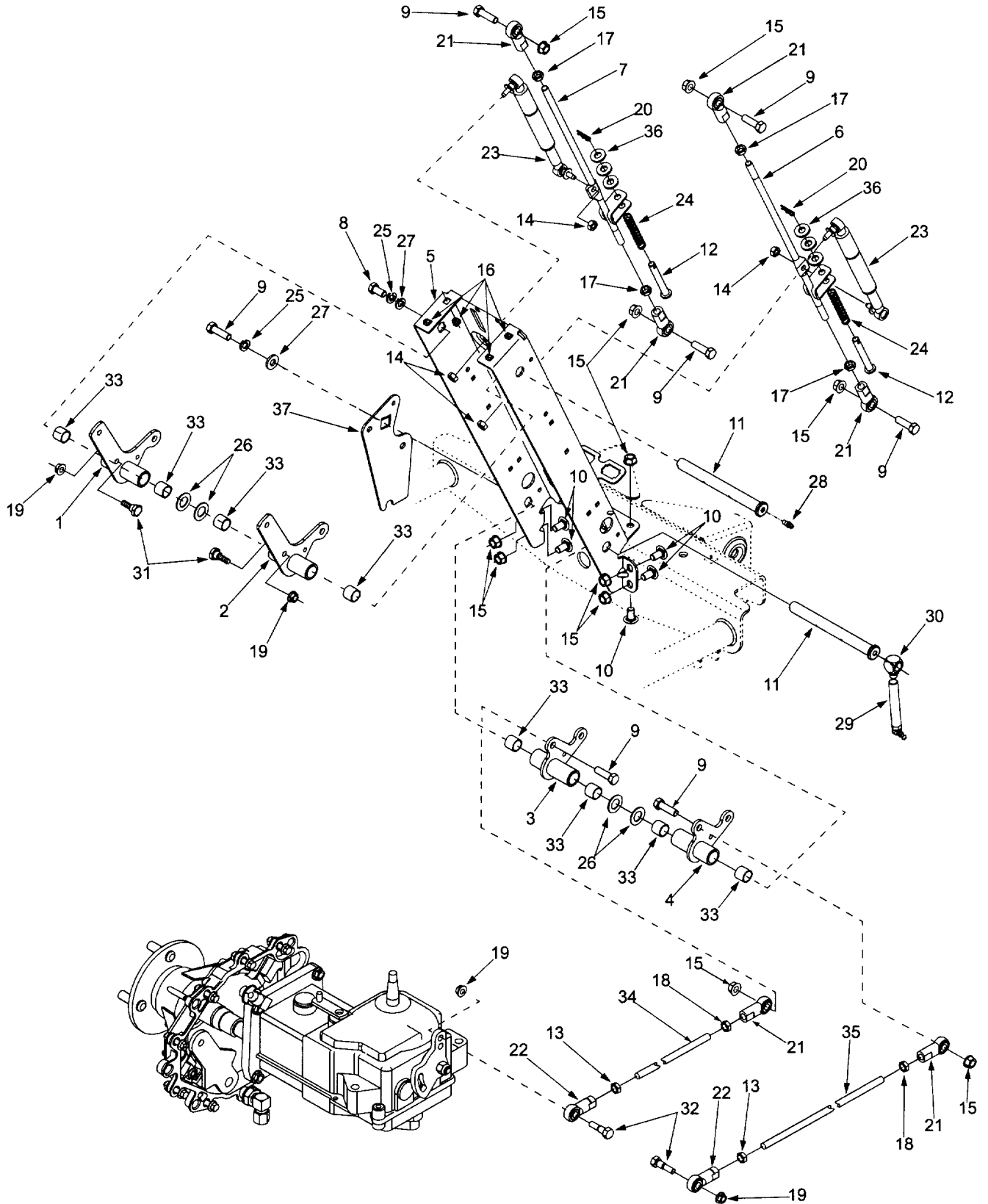
# Model 53AA1A3G401



# Model 53AA1A3G401 Parking Brake

REF. NO.	PART NO.	DESCRIPTION
1.	603-0649	Parking Brake Shift Ass'y
2.	714-3004	Cotter Pin
3.	710-3178	Carriage Bolt 3/8-16 x .75
4.	741-0324	Hex Flange Bearing .506 ID x .590
5.	703-3400	Brake Mounting Bracket
6.	747-3404	Connecting Brake Rod
7.	714-0104	Cotter Pin
8.	710-0134	Carriage Screw 1/4-20 x .62
9.	712-3027	Hex Flange Lock Nut 1/4-20
10.	703-3405	Support Plate
11.	714-0101	Cotter Pin
12.	703-2857	Retaining Rod Bracket
13.	732-0827	Torsion Spring 5/16
14.	747-3397	Parking Brake Retaining Rod
15.	735-0664	Parking Brake Pad
16.	603-0683	Brake Rod Ass'y
17.	711-3357	Ferrule
18.	712-0314	Jam Nut 1/4-28
19.	736-0258	Flat Washer .385 ID x 1.0 OD
20.	712-0431	Flange Lock Nut 3/8-16
21.	747-3266A	Bracket Rod
22.	732-0463	Extension Spring
23.	732-0800	Extension Spring
24.	747-3284	Release Pump Rod RH
25.	747-3363	Release Pump Rod LH

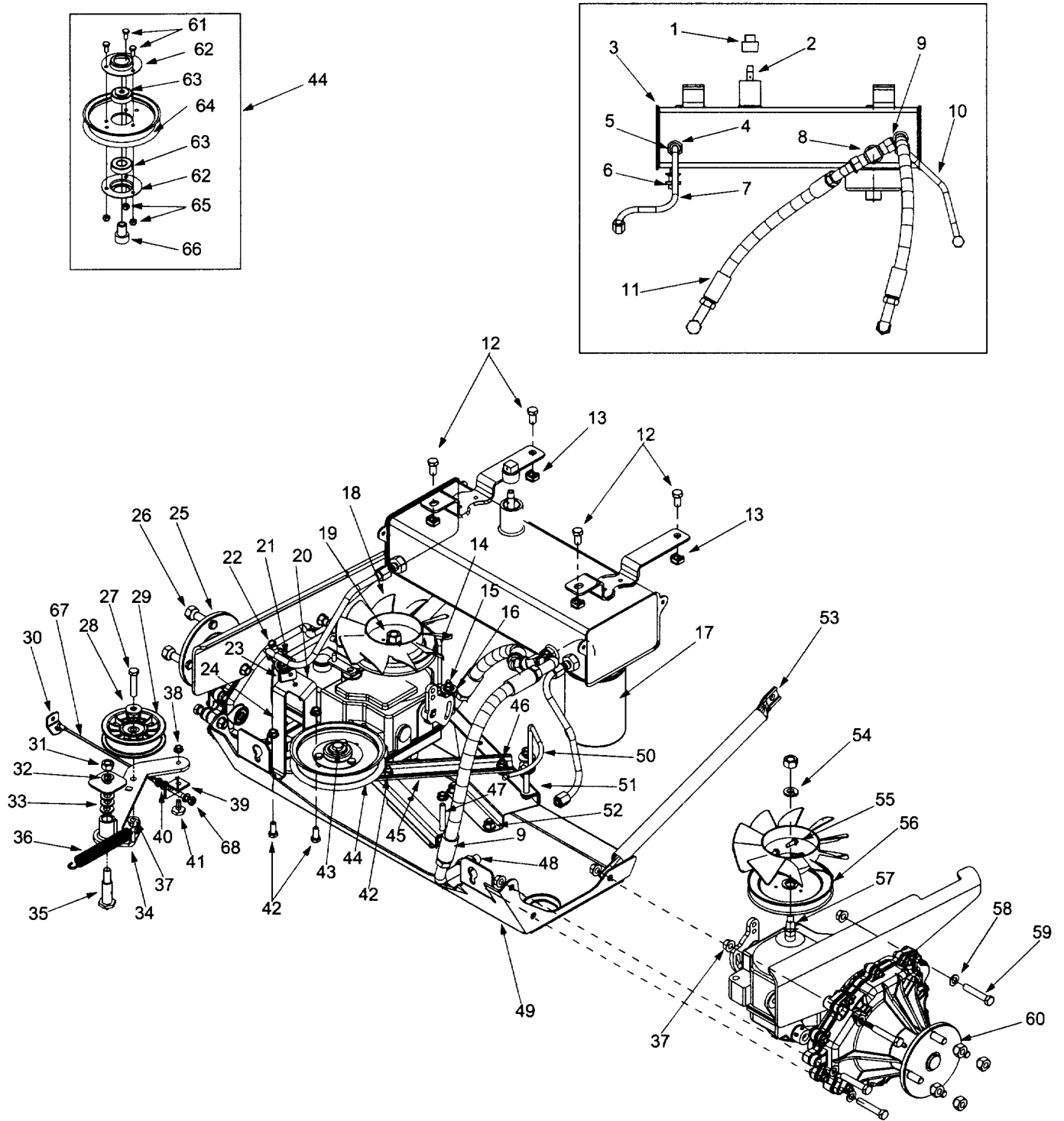
# Model 53AA1A3G401



# Model 53AA1A3G401 Control Assembly

REF. NO.	PART NO.	DESCRIPTION	REF. NO.	PART NO.	DESCRIPTION
1.	603-0340	Bellcrank Ass'y Upper LH	20.	714-0104	Cotter Pin
2.	603-0341	Bellcrank Ass'y Upper RH	21.	723-0420	Spherical Rod End RH 3/8-24
3.	603-0342	Bellcrank Ass'y Lower LH	22.	723-0421	Spherical Rod End LH 3/8-24
4.	603-0343	Bellcrank Ass'y Lower RH	23.	727-3113	Damper Cylinder
5.	603-0647	Support Ass'y Tower	24.	732-3084	Spring Compression
6.	603-0410	Rod Ass'y Control RH	25.	736-0169	Lock Washer 3/8
7.	603-0411	Rod Ass'y Control LH	26.	736-0539	Thrust Washer .625 ID x 1.12 OD
8.	710-0216	Hex Cap Screw 3/8-16 x .75	27.	736-3004	Flat Washer .406 ID x .875 OD
9.	710-3005	Hex Cap Screw 3/8-16 x 1.25	28.	737-0280	Grease Fitting
10.	710-3178	Carriage Bolt 3/8-16 x .75	29.	737-3072	Grease Fitting w/Tube
11.	711-1111	Control Shaft	30.	737-3073	Adapter 1/4-20
12.	711-1124	Pin	31.	738-0296	Shoulder Bolt .437 Dia. x .268
13.	712-0312	Hex Jam Nut LH 3/8-24	32.	738-3153	Shoulder Bolt
14.	712-0365	Hex Center Lock Nut	33.	741-3063	Sleeve Bearing
15.	712-0431	Hex Flange Lock Nut 3/8-16	34.	747-3281	Control Rod LH 31-5/8
16.	712-0453	Retainer 1/4-20	35.	747-3282	Control Rod RH 35-3/8
17.	712-0711	Hex Jam Nut 3/8-24	36.	736-0300	Flat Washer .406 ID x .87 OD
18.	712-3001	Hex Jam Nut 3/8-24	37.	703-3405	Support Plate
19.	712-3004A	Hex Flange Lock Nut 5/16-18			

# Model 53AA1A3G401



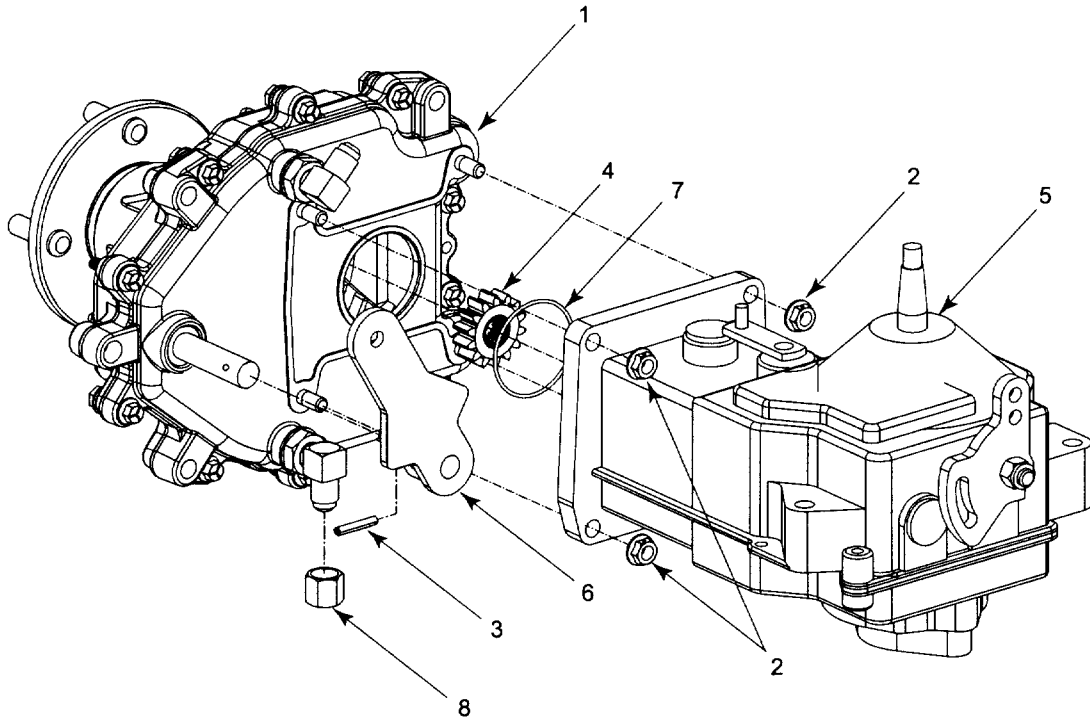
PTO Belt: 754-3091



# Model 53AA1A3G401 Drive & Hydraulic

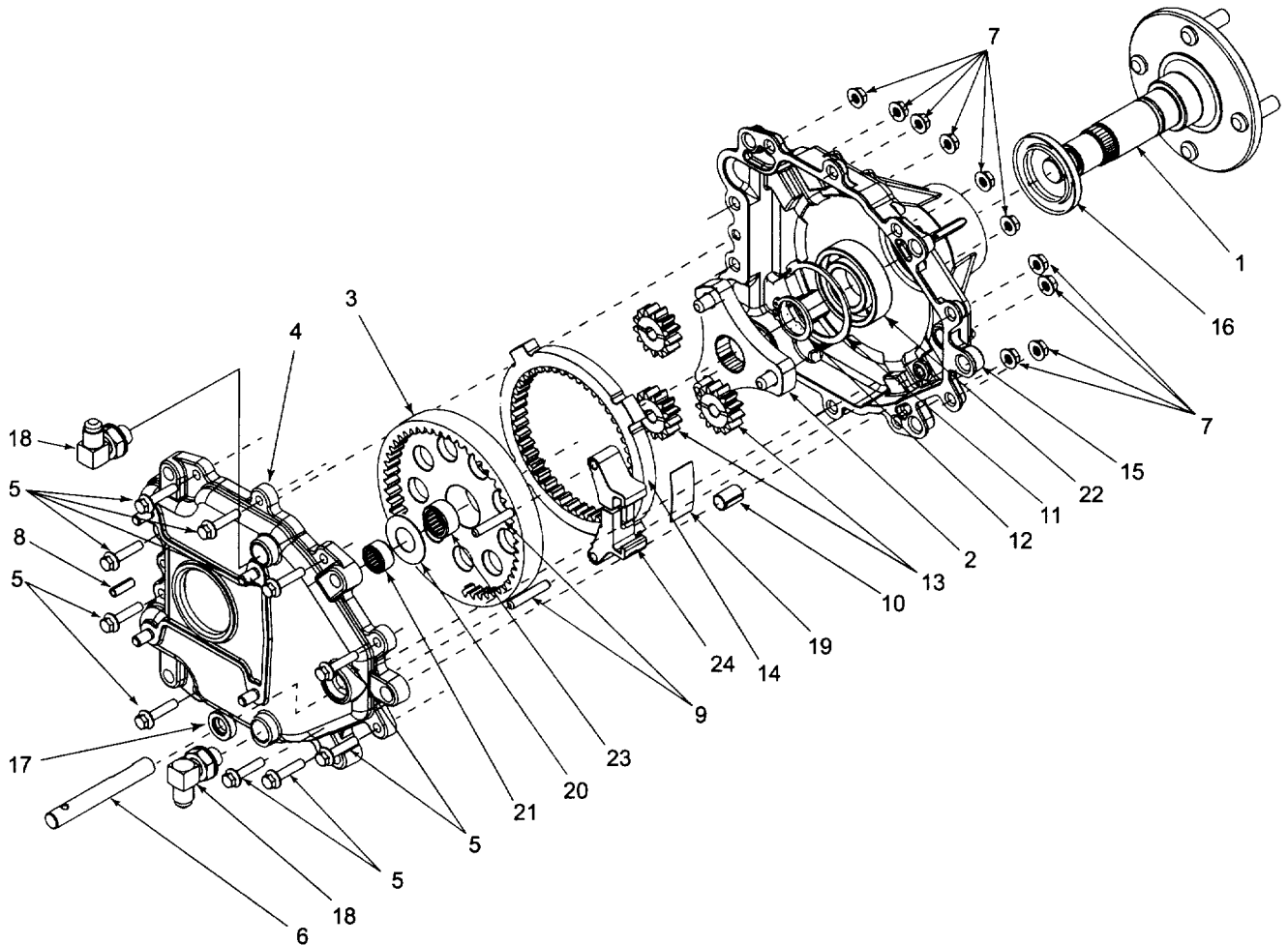
REF. NO.	PART NO.	DESCRIPTION	REF. NO.	PART NO.	DESCRIPTION
1.	737-3069	Pipe Plug	35.	603-0102	Shoulder Screw
2.	737-3070A	Pipe Dipstick	36.	732-0478	Extension Spring 6.12 Lg
3.	603-0639	Hydraulic Tank Assembly	37.	712-0431	Flange Lock Nut 3/8-16
4.	727-3116	Connection Fitting	38.	712-3027	Lock Nut 1/4-20
5.	721-0223	Seal	39.	703-3380	Declutching Cable Bracket
6.	738-0940	Drain Plug	40.	736-0119	Lock Washer 5/16
7.	727-3120	Inlet Tube LH	41.	738-0704	Shoulder Screw
8.	727-3155	Tee Fitting	42.	710-3008	Hex Cap Screw 5/16-18 x .75
9.	727-3154	Outlet Hose RH	43.	710-3011	Hex Cap Screw 3/8-16 x 2.25
10.	727-3121	Inlet Tube RH	44.	603-0362	Idler Pulley 5.0" (Not used in some applications)
11.	727-3153	Outlet Hose LH	45.	703-3657	Idler Bracket (replaces 703-2888)
12.	710-0216	Hex Cap Screw 3/8-16 x .75	46.	712-3004A	Flange Lock Nut 5/16-18
13.	712-0455	Retainer Nut 3/8-16	47.	710-3103	Hex Cap Screw 5/16-18 x 2.0
14.	747-3360A	Belt Retainer Rod RH	48.	727-3100	Connection Fitting 1/2 x 3/8
15.	710-0378	Hex Cap Screw 5/16-18 x 2.5	49.	603-0358B	Skid Plate Assembly
16.	736-3089	Flat Washer 5/16	50.	747-3361	Belt Rod LH
17.	723-3071	Filter Element	51.	603-0450	Support Pump Assembly
18.	731-1449A	Fan Blade	52.	710-3178	Carriage Bolt 3/8-16 x .75
19.	712-0333	Hex Nut 1/2-20	53.	749-3040	Frame Strut
20.	703-3168	Mounting Pulley Bracket	54.	736-0921	Lock Washer 1/2
21.	756-0625	Roller Cable	55.	710-1189	Hex Washer Screw #12-24 x .625
22.	738-0924	Hex Shoulder Screw 1/4-28 x .375	56.	756-0974	Transmission Pulley
23.	703-3169	Retainer Cable Bracket	57.	732-0729	Wire Ring
24.	712-0117	Lock Nut 1/4-28	58.	736-0185	Flat Washer
25.	618-3165	Complete Transmission Assembly LH	59.	710-3144	Hex Cap Screw 3/8-16 x 2.0
26.	712-3050	Lug Nut	60.	618-3164	Complete Transmission Assembly RH
27.	710-0347	Hex Cap Screw 3/8-16 x 1.75	61.	710-0751	Hex Cap Screw 1/4-20 x .62
28.	736-0258	Flat Washer .385 ID x 1.0 OD	62.	703-2907	Bearing Cup
29.	756-0627	Flat Idler Pulley 3.5 OD	63.	741-0600	Ball Bearing
30.	703-3174	Mounting Bracket Cable	64.	756-3085	Idler Pulley 5.0"
31.	712-3019	Hex Nut 7/16-14	65.	712-0324	Hex Lock Nut 1/4-20
32.	736-0171	Lock Washer 7/16	66.	750-3176	Idler Spacer
33.	736-3015	Flat Washer .469 ID x .875 OD	67.	746-3089	Declutching Cable
34.	603-0377A	Idler Arm Assembly	68.	712-3007	Jam Nut 5/16-18

# Model 53AA1A3G401 Hydro Transmission



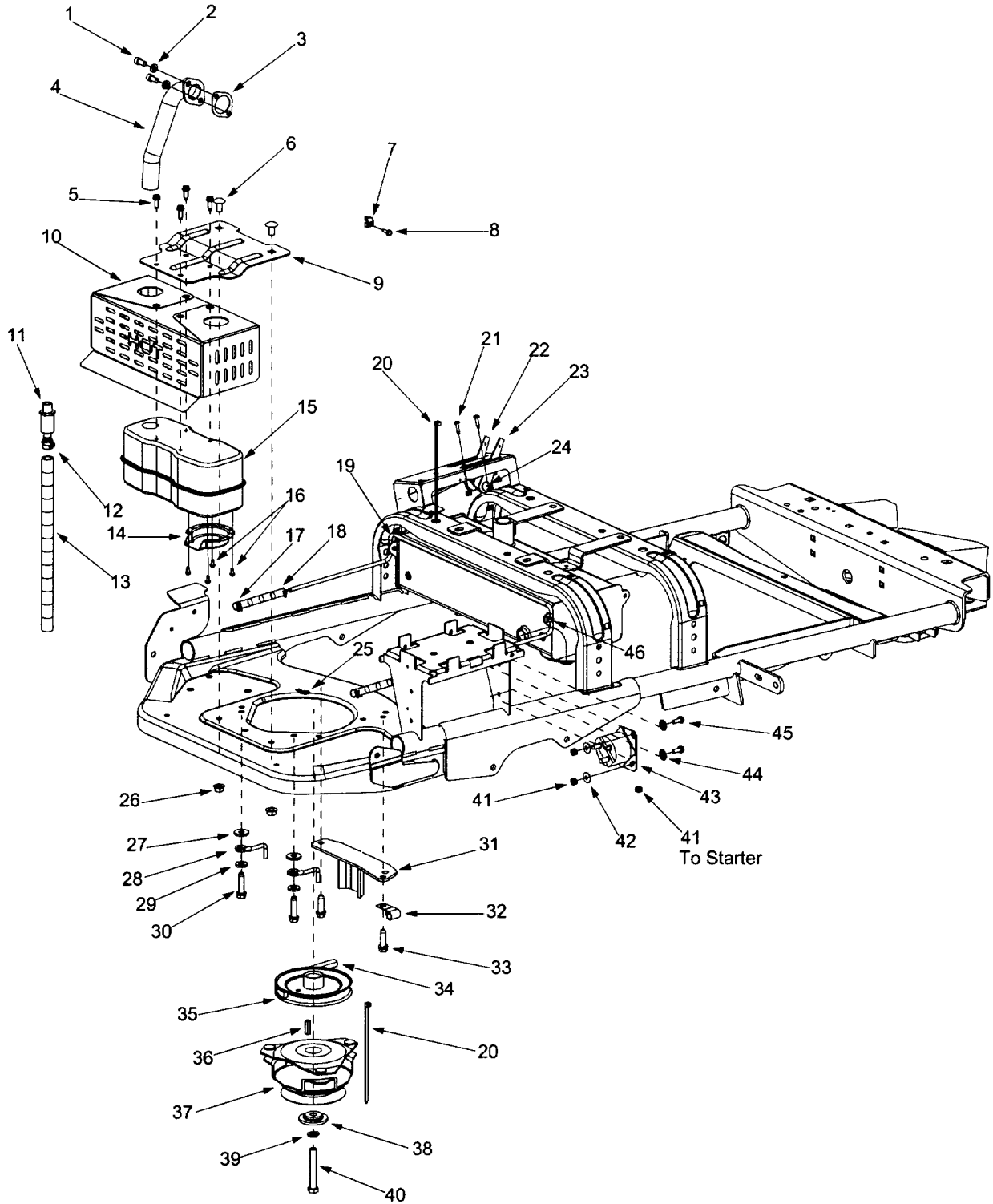
REF. NO.	PART NO.	DESCRIPTION
1.	618-3110A	Drive Ass'y Complete
2.	712-3004A	Hex Flange Lock Nut 5/16-18
3.	715-0136	Spiral Pin 3/16 x 1.25
4.	717-3396	Spur Gear 14T
5.	717-3455	Hydro Transmission
6.	718-3053	Parking Brake Lever
7.	721-0343	O-Ring 2.0 Dia.
8.	727-3125	Cap Nut 3/8

# Model 53AA1A3G401 Drive & Axle



REF. NO.	PART NO.	DESCRIPTION	REF. NO.	PART NO.	DESCRIPTION
1.	618-3110A	Drive Ass'y Complete	13.	717-3395	Spur Gear 13T
	611-3012	Axle Assembly	14.	717-3397	Ring Gear 46T
	710-0852	Ribbed Neck Stud	15.	719-3114	Axle Outer Housing
2.	618-3106	Carrier Assembly, Output	16.	721-0381	Oil Seal
3.	618-3107	Gear Assembly, 51T Internal & 20T	17.	721-0393	Oil Seal
4.	618-3109	Housing Ass'y	18.	727-3124	Elbow Fitting
5.	710-1342	Hex Washer Screw 1/4-20 x 1-1/8	19.	732-0752	Brake Shoe Spring
6.	711-1048	Brake Shaft	20.	736-0351	Shim Washer .76 x 1.5 x .030
7.	712-3027	Hex Flange Lock Nut 1/4-20		736-0492	Shim Washer .76 x 1.5 x .010
8.	715-0156	Roll Pin		736-0493	Shim Washer .76 x 1.5 x .020
9.	715-0219	Dowel Pin	21.	741-0665	Needle Bearing
10.	715-3045	Bushing	22.	741-3033A	Ball Bearing
11.	716-3015	Inverted Retaining Ring	23.	741-3080	Needle Bearing
12.	716-3018	Snap Ring	24.	761-3049	Shoe Brake

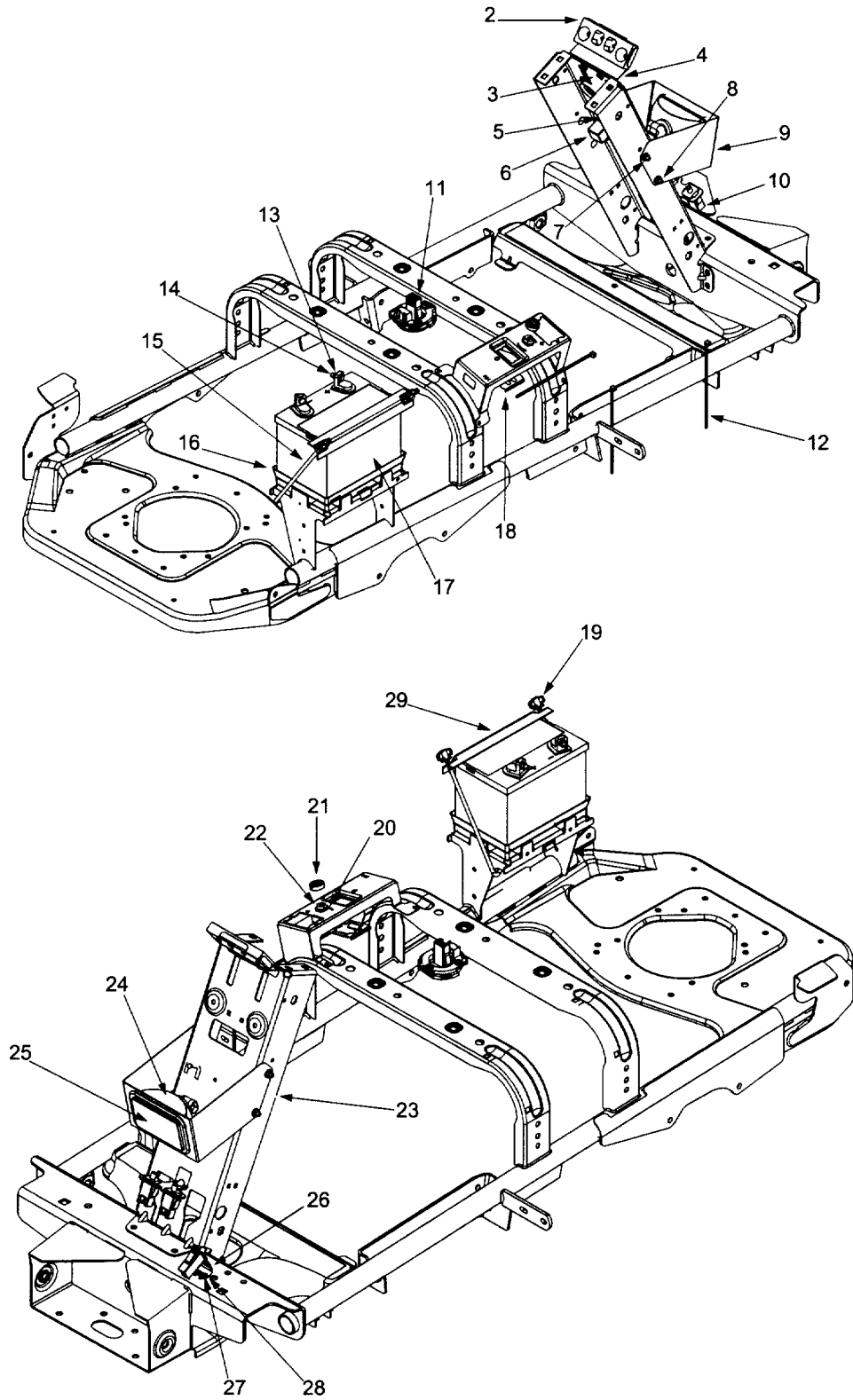
# Model 53AA1A3G401



## Model 53AA1A3G401 Engine Accessories

REF. NO.	PART NO.	DESCRIPTION	REF. NO.	PART NO.	DESCRIPTION
1.	710-1314	Socket Screw 5/16-18 x .625	24.	712-0161	Hex Lock Nut #10-24
2.	736-0119	Lock Washer 5/16	25.	736-0607	Lock Washer 5/16
3.	721-0208	Gasket	26.	712-0431	Flange Lock Nut 3/8-16
4.	751-0619	Exhaust Pipe	27.	736-0258	Flat Washer .385 x 1.0
5.	710-0642	Hex Washer Screw 1/4-20 x .750	28.	747-3362	Rear Belt Retainer Rod
6.	710-3178	Carriage Bolt 3/8-16 x .75	29.	736-3010	Flat Washer .407 x .812
7.	751B213146	Casing Clamp	30.	710-1007	Hex Washer Screw 3/8-16 x 1.5
8.	710-1237	Hex Washer screw #10-32 x .625	31.	603-0317	Clutch Retainer Assembly
9.	703-2859	Muffler Bracket	32.	726-3008	Heat Shield Cable Clip
10.	703-3004	Muffler Guide	33.	710-0502A	Hex Washer Screw 3/8-16 x 1.25
11.	751-3140	Oil Drain	34.	754-3100	V-Belt
12.	751-3142	Oil Drain Cap	35.	756-3060A	Transmission Drive Pulley
13.	751-3141	Oil Drain Hose	36.	714-0128	Key
14.	751-0564	Muffler Deflector	37.	717-3467	Electric Clutch
15.	751-0617	Muffler	38.	750-3106	Spacer Clutch
16.	710-0148	Hex Washer Screw #8-32 x .375	39.	736-0171	Lock Washer 7/16
17.	726-0205	Hose Clamp	40.	710-0510	Hex Cap Screw 7/16-20 x 3.0
18.	751-0535	Fuel Line Hose	41.	712-0291	Hex Lock Nut 1/4-20
19.	749-3048	Fuel Line	42.	736-0270	Bell Washer .265 x .75
20.	725-0157	Cable Tie	43.	725-3001	Solenoid Switch
21.	710-3009	Screw #10-24 x .75	44.	736-3006	Lock Washer 1/4 ID x 3/4 OD
22.	746-3074	Throttle Cable	45.	710-0751	Hex Cap Screw 1/4-20 x .620
23.	746-3073	Choke Cable	46.	725-1711	Retainer Clip

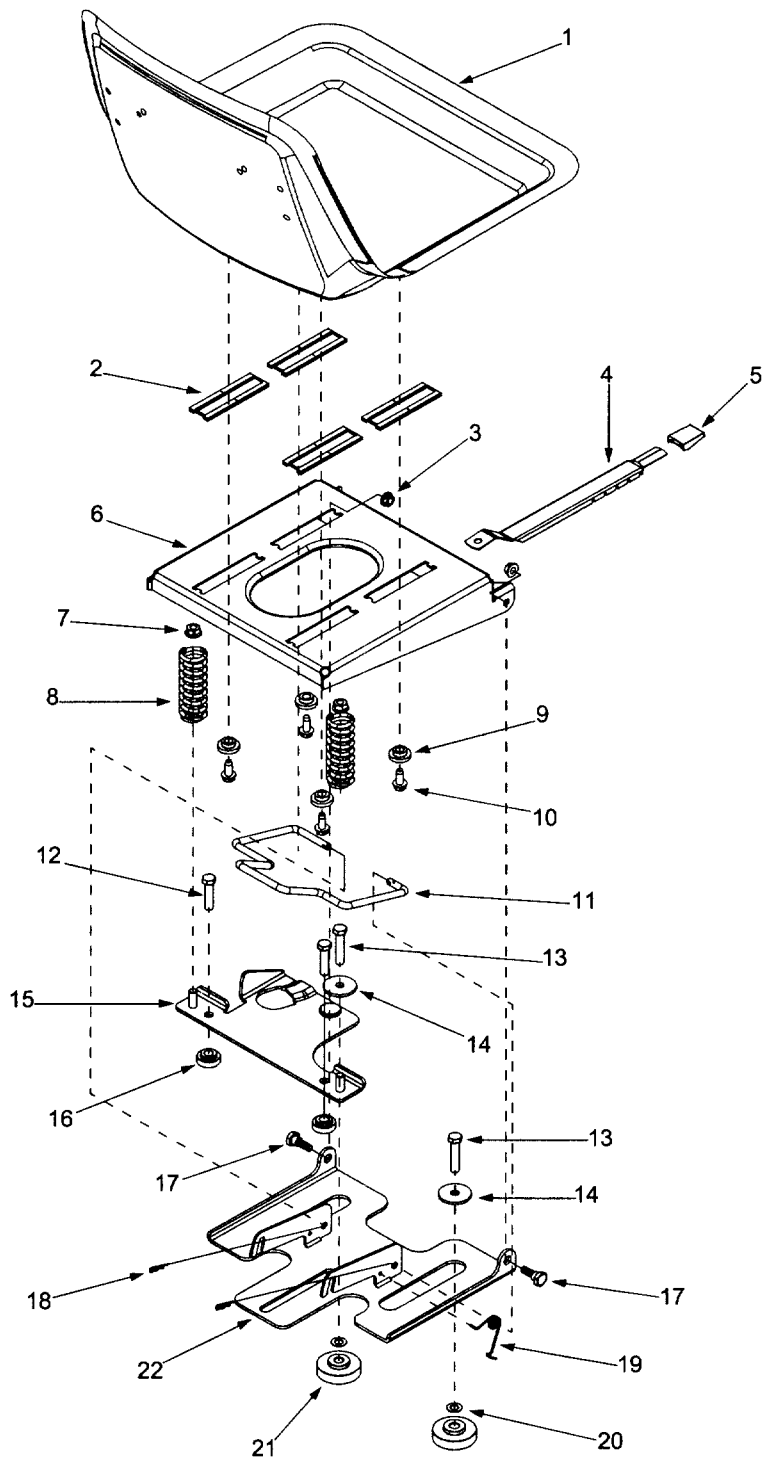
# Model 53AA1A3G401



# Model 53AA1A3G401 Electrical

REF. NO.	PART NO.	DESCRIPTION	REF. NO.	PART NO.	DESCRIPTION
1.	629-3033	Main Wire Harness - Not Shown	16.	731-3233	Battery Tray
2.	723-0455	Foam Protector	17.	725-1722	Battery
3.	710-3013	Hex Cap Screw 1/4-20 x .50	18.	783-0462	PTO Switch Retainer Bracket
4.	703-2809	Indicator Mounting Bracket	19.	712-0397	Wing Nut 1/4-20
5.	726-0349	Ratchet Retainer	20.	725-1346	Ignition Switch Nut 5/8-32
6.	725-1718	Relay	21.	725-1347	Ignition Cap Switch
7.	712-3027	Hex Flange Nut 1/4-20	22.	725-3163	Ignition Switch
8.	710-0134	Carriage Screw 1/4-20 x .62	23.	725-3251	Voltage Sensor
9.	703-2836	Headlight Mounting Bracket	24.	725-3250	Headlight Assembly
10.	725-3164A	Safety Switch	25.	731-3184	Headlight
11.	725-3253	Seat Switch	26.	732-0816	Switch Mounting Spring
12.	725-0157	Cable Tie	27.	710-0425	Machine Screw #10-24 x 5/8
13.	712-0271	Hex Nut 1/4-20	28.	712-0161	Hex Lock Nut #10-24
14.	710-3015	Hex Cap Screw 1/4-20 x .75	29.	703-3149A	Battery Strip
15.	747-3347	Battery Retainer Rod			

# Model 53AA1A3G401

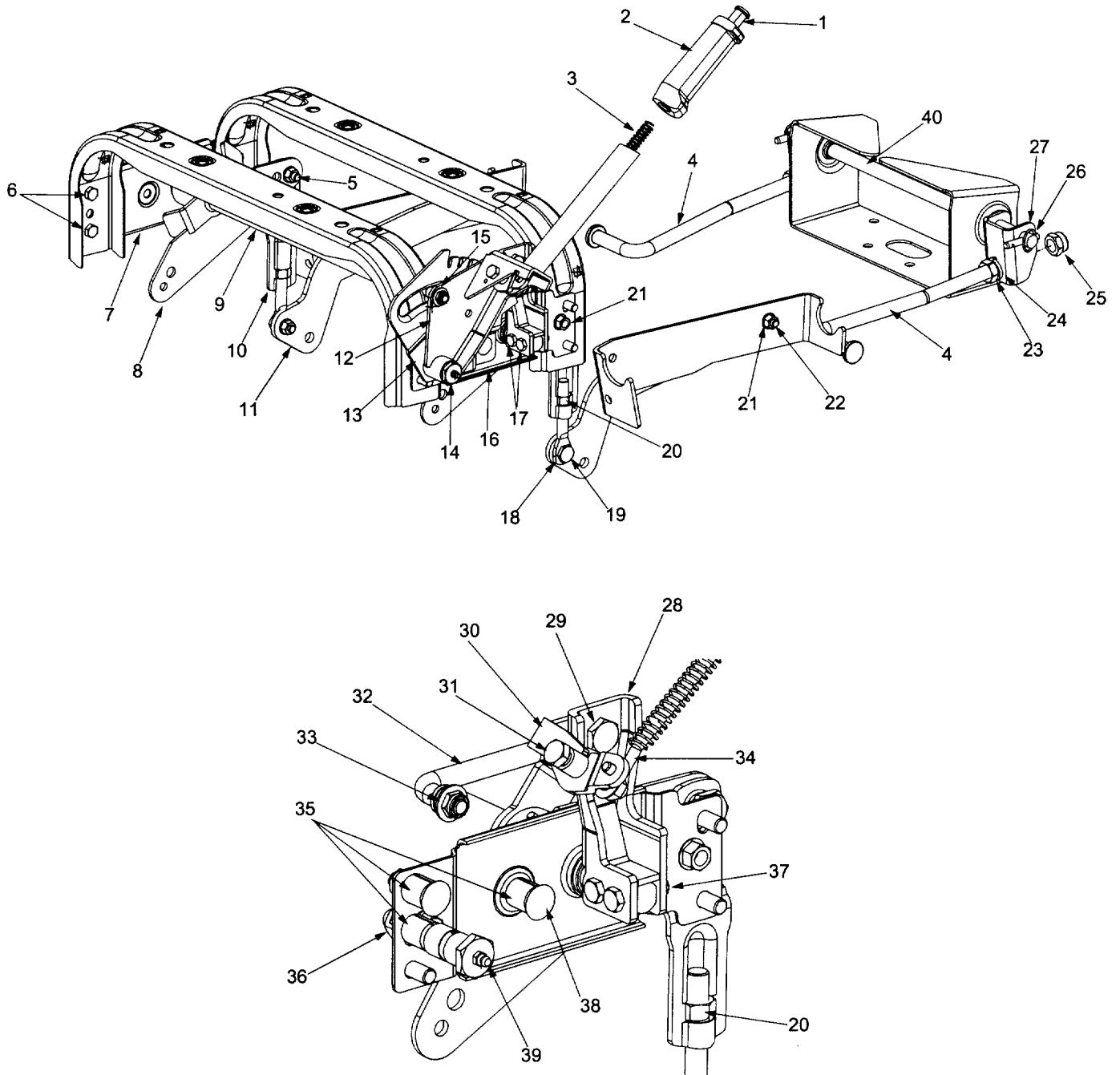




# Model 53AA1A3G401 Seat

REF. NO.	PART NO.	DESCRIPTION
1.	757-3014	Seat
2.	731-3154	Seat Slide
3.	712-3004A	Flange Lock Nut 5/16-18
4.	732-3098	Spring Index
5.	720-0190	Height Adjustment Knob
6.	603-0294	Seat Base Bracket Assembly
7.	712-3005	Flange Lock Nut 3/8-16
8.	732-3080	Spring Compression
9.	738-0372	Shoulder Spacer
10.	710-1260A	Hex Washer Screw 5/16-18 x .750
11.	747-3342	Rod
12.	710-0520	Hex Cap Screw 3/8-16 x 1.5
13.	710-0347	Hex Cap Screw 3/8-16 x 1.75
14.	736-0227	Flat Washer .390 ID x 1.5 OD
15.	603-0318A	Seat Spring Plate Assembly
16.	738-3156	Shoulder Spacer
17.	738-0296	Shoulder Screw
18.	714-0104	Cotter Pin
19.	732-0827	Torsion Spring 5/16
20.	736-0314	Thrust Washer
21.	738-3166	Shoulder Spacer
22.	603-0470	Seat Mounting Bracket Assembly

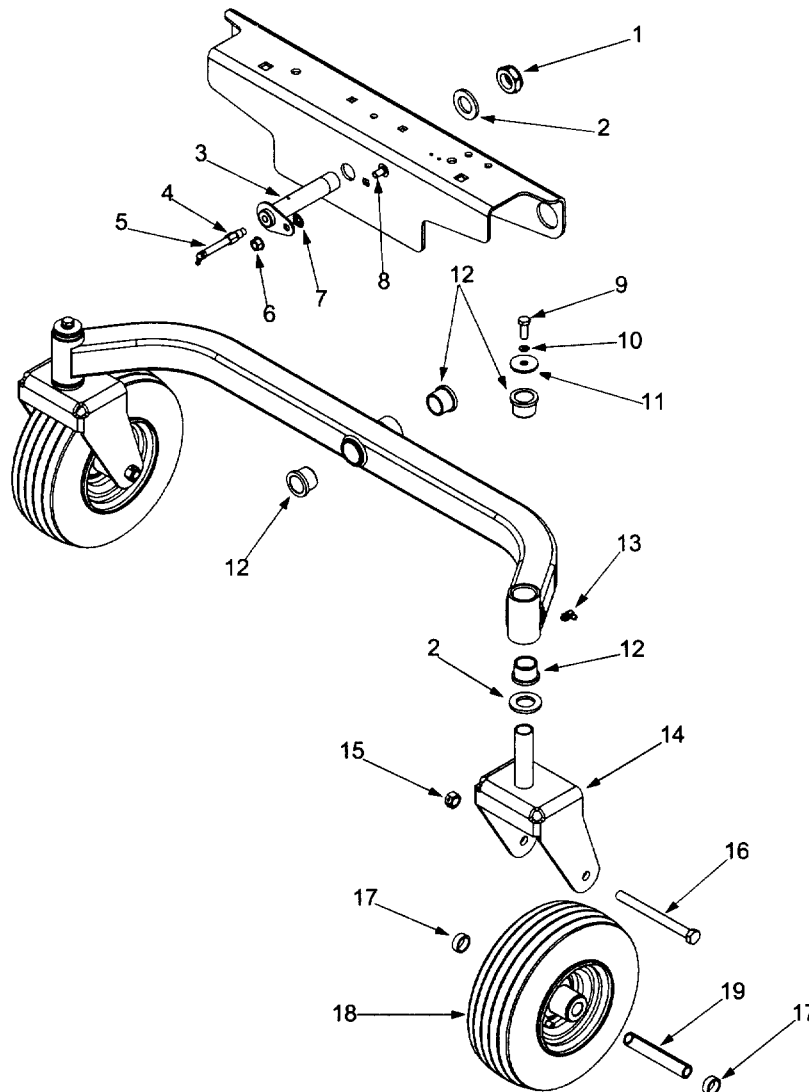
# Model 53AA1A3G401



## Model 53AA1A3G401 Lift Assembly

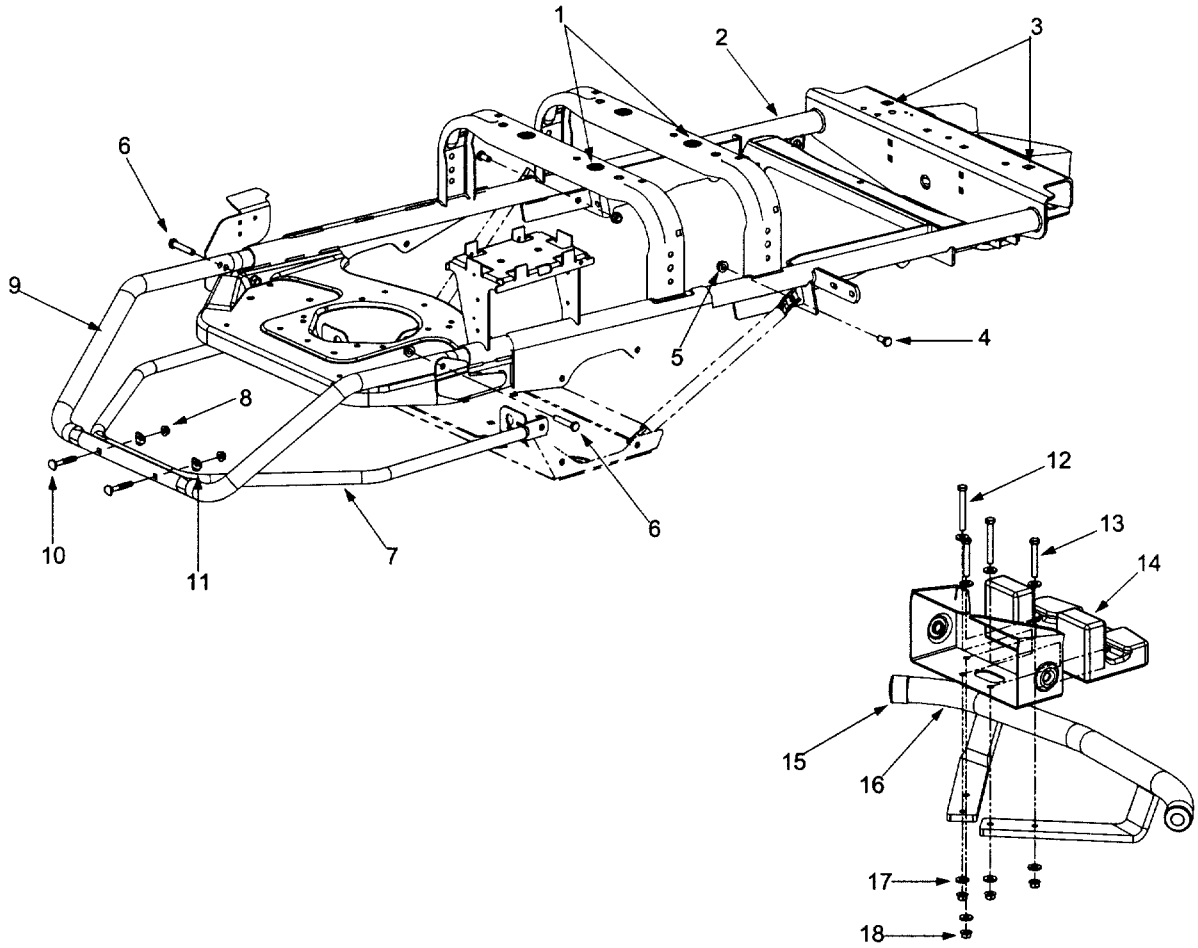
REF. NO.	PART NO.	DESCRIPTION	REF. NO.	PART NO.	DESCRIPTION
1.	711-0642A	Handle Button	21.	712-0431	Flange Lock Nut 3/8-16
2.	731-3158	Handle Deck Lift Grip	22.	738-3151	Shoulder Screw 3/8-16 .56 x .27
3.	732-3097	Compression Spring	23.	712-3015	Jam Nut 5/8-11
4.	747-3405	Front Lift Rod	24.	736-0158	Lock Washer 5/8
5.	738-0507B	Shoulder Screw .500 Dia x .434	25.	712-3016	Lock Hex Nut 5/8-11
6.	710-0216	Hex Cap Screw 3/8-16 x .75	26.	711-3266	Clevis Pin
7.	603-0422	Shaft Mounting Bracket - LH	27.	703-3407	Front Lift Bracket
8.	603-0370	Pivot Link Bearing Ass'y	28.	603-0401	Lift Arm Ass'y
9.	603-0313	Lift Shaft Ass'y	29.	738-0183	Shoulder Screw 3/8-16 .50 x .21
10.	703-2621	Adjustable Deck Lift Link	30.	603-0257	Fork Lift Ass'y
11.	703-2780	Lift Parallel Link	31.	710-3011	Hex Cap Screw 3/8-16 x 2.25
12.	603-0327	Handle Bearing Ass'y	32.	747-3276	Lift Link Rod
13.	703-2772	Deck Height Adjustable Plate	33.	736-0300	Flat Washer .406 x .875
14.	738-3150	Lift Handle Shoulder Screw	34.	747-3267	Handle Arm
15.	712-3020	Top Lock Jam Nut 3/8-16	35.	750-3200	Spacer .448 ID x .688 OD
16.	603-0423	Shaft Mounting Bracket - RH	36.	712-0290	Lock Nut 7/16-14
17.	710-3083	Hex Cap Screw 5/16-18 x 1.375	37.	712-3009	Hex Center L-Nut 5/16-18
18.	711-0773	Eye Bolt Adjustable Link	38.	710-0431	Hex Screw 3/8-16 x 1.50
19.	738-0380	Shoulder Screw 3/8-16	39.	737-0280	Grease Fitting
20.	712-0206	Hex Nut 1/2-13	40.	747-3406	Front Mounting Rod Bracket

# Model 53AA1A3G40 Axle, Front



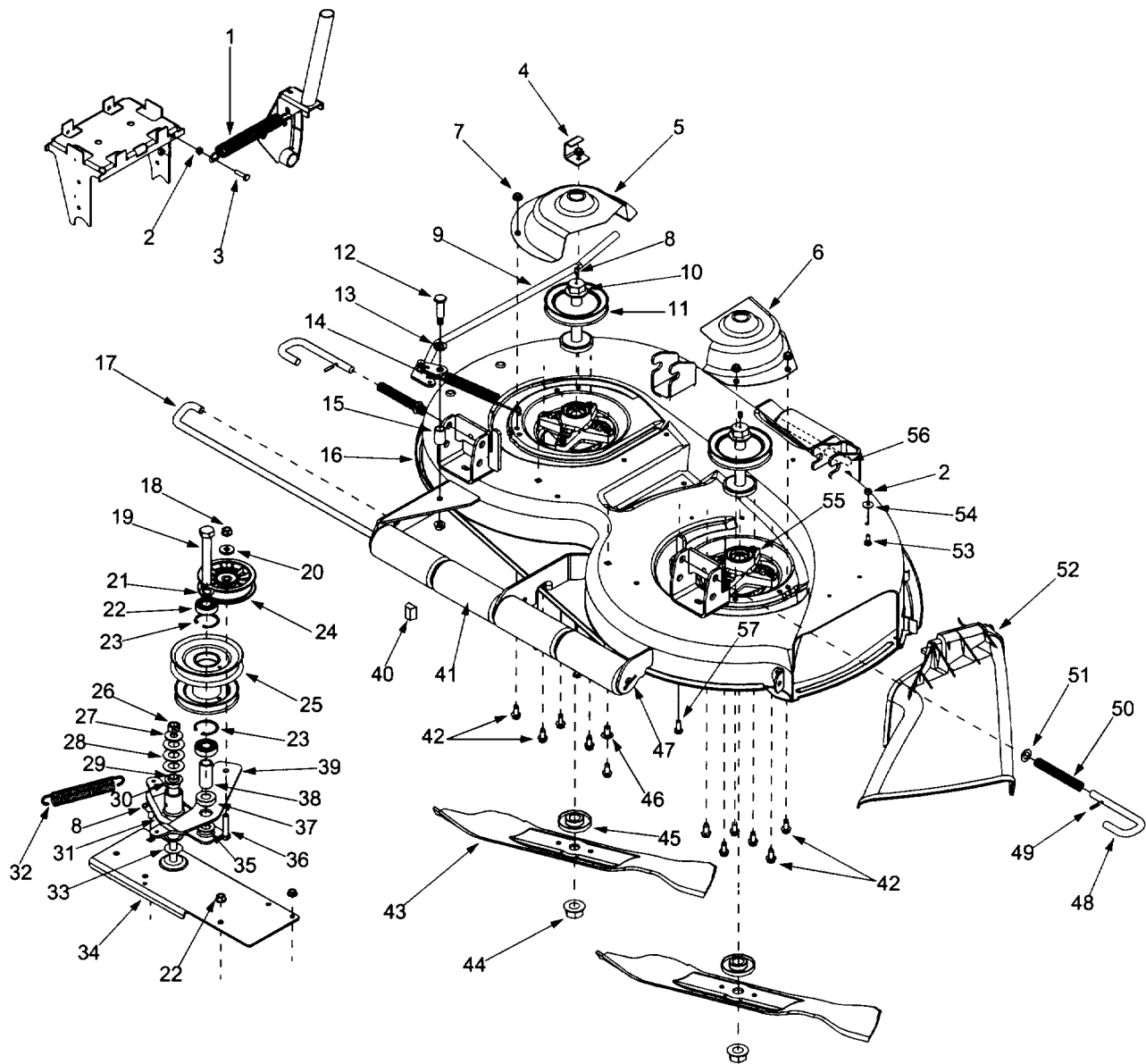
REF. NO.	PART NO.	DESCRIPTION	REF. NO.	PART NO.	DESCRIPTION
1.	712-3075	Hex Lock Nut, 1.0-14	11.	736-0227	Flat Washer 3/8 x 1.5
2.	736-0274	Flat Washer	12.	731-0374	Flange Bearing 1.0 ID
3.	603-0389A	Pin Ass'y, Pivot	13.	737-0280	Grease Fitting
4.	737-3090	Adapter, 1/8 NPTF x 1/8 NPTF	14.	603-0363	Castor Wheel Bracket
5.	737-3072	Grease Fitting, 65° w/Extension	15.	712-0239	Hex Center Lock Nut 1/2-20
6.	712-0431	Hex Flange Lock Nut, 3/8-16	16.	710-0506	Hex Cap Screw, 1/2-20 x 5.5
7.	712-0229	Push Nut, 3/8 ID	17.	750-0456	Spacer, .79 ID x .347 Lg
8.	710-3178	Carriage Bolt, 3/8-16 x .75	18.	634-3169	Wheel Comp 11.0 x 4.0 x 5.0
9.	710-0514	Hex Cap Screw, 3/8-16 x 1.0	19.	750-3197	Wheel Spacer
10.	736-0169	Lock Washer 3/8	20.	603-0382	Front Axle Ass'y

# Model 53AA1A3G401 Frame



REF. NO.	PART NO.	DESCRIPTION	REF. NO.	PART NO.	DESCRIPTION
1.	712-0455	Retaining Nut 3/8-16	10.	710-1174	Carriage Bolt 5/16-18 x 2.0
2.	603-0720B	Frame Assembly	11.	736-0451	Shoulder Washer .320 ID x .93 OD
3.	712-0251	Retaining Nut 3/8-16	12.	710-0521	Hex Cap Screw 3/8-16 x 3.0
4.	710-0216	Hex Cap Screw 3/8-16 x .75	13.	710-0859	Hex Cap Screw 3/8 - 16 x 2.5
5.	712-0431	Lock Nut 3/8-16	14.	719-3130	Counter Weight
6.	710-3144	Hex Cap Screw 3/8-16 x 2.0	15.	726-0298	End Cap
7.	749-3061	Lower Bumper Tube	16.	603-0620	Bumper Ass'y
8.	712-3004	Lock Nut 5/16-18	17.	736-3004	Flat Washer .406 ID x .875 OD
9.	749-3062	Upper Bumper Tube	18.	712-0431	Flange Lock Nut 3/8-16

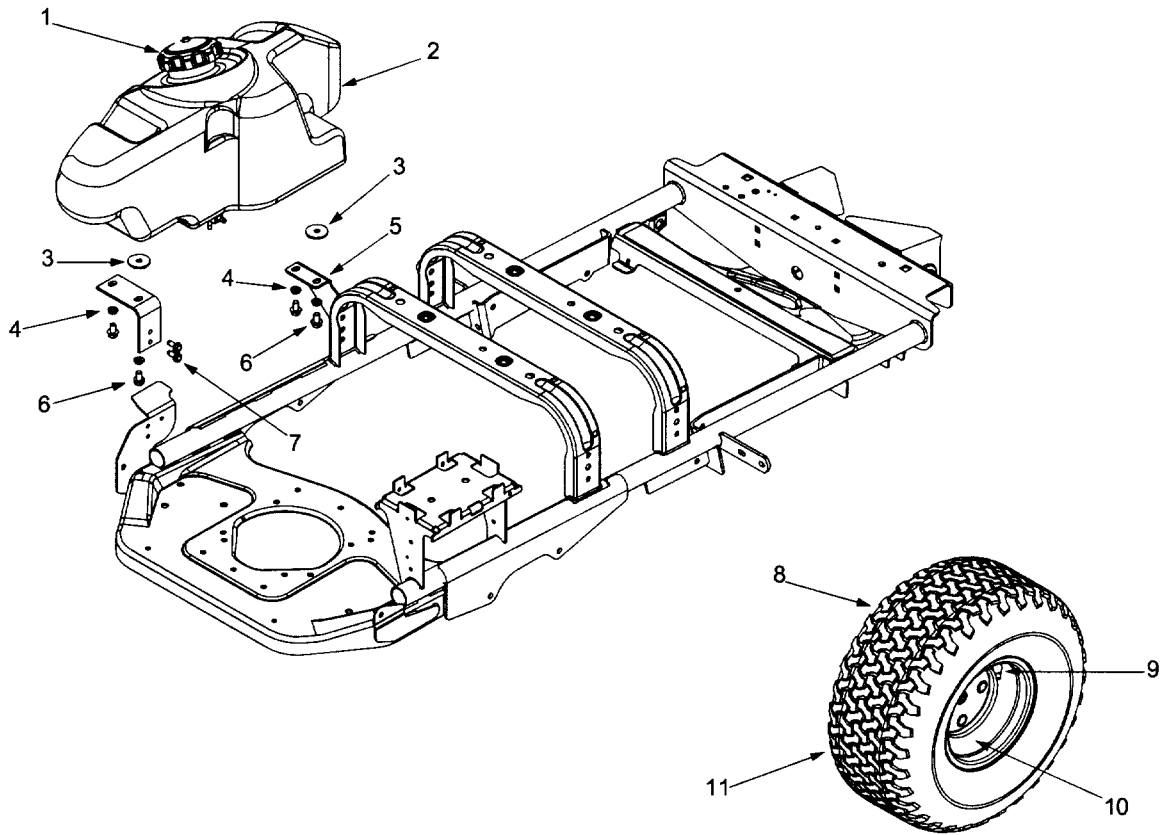
# Model 53AA1A3G401



# Model 53AA1A3G401 Deck

REF. NO.	PART NO.	DESCRIPTION	REF. NO.	PART NO.	DESCRIPTION
1.	732-0556	Spring Extension .94 OD x 7.57 LG	30.	741-0338	Flange Bearing 3/4 ID x .52 LG
2.	712-3006	Hex Nut 1/4-20	31.	603-0581	Pivot Arm Pulley Asm
3.	710-0597	Hex Cap Screw 1/4-20 x 1.0	32.	732-0850	Spring Extension 1.0 OD x 6.14 LG
4.	703-2559	Stop Bracket	33.	736-0100	Flat Washer .531 ID x 1.25 OD
5.	703-2945	Pulley Shield LH	34.	603-0584	Deck Mounting Plate Asm
6.	703-3237	Pulley Shield RH	35.	736-0187	Flat Washer .64 ID x 1.24 OD
7.	712-3004A	Flange Lock Nut 5/16-18	36.	710-3037	Hex Cap Screw 3/8-16 x 1.75
8.	737-3000	Grease Fitting 3/16	37.	738-0988	Shoulder Spacer
9.	603-0580	Rod Assembly	38.	750-3164	Spacer .635 ID x 2.0 LG
10.	710-1336	Spindle Bolt 3/4-16 x 4.25	39.	703-3147	Idler Pivot Arm
11.	756-3089	Pulley	40.	754-3092	V-Belt
12.	738-0213	Shoulder Screw	41.	731-3005	Roller
13.	736-0192	Flat Washer .531 ID x .93 OD	42.	710-1260A	Hex Washer Screw 5/16-18 x .750
14.	732-0851A	Extension Spring .75 OD x 8.63 LG	43.	742-3033	Blade
15.	750-0151	Spacer .550 ID x .750 OD	44.	712-3078	Hex Flange Nut 3/4-16
16.	603-0316	Deck Assembly 42"	45.	748-3065	Spindle Spacer
17.	711-3358	Pin Roller	46.	710-3178	Carriage Bolt 3/8-16 x .75 LG
18.	712-0431	Lock Flange Nut 3/8-16	47.	714-0115	Cotter Pin
19.	710-3151	Hex Cap Screw 5/8-18 x 4.25	48.	747-3013	Support Pin
20.	736-0258	Flat Washer .385 ID x 1.0 OD	49.	715-3003	Pin
21.	736-0290	Flat Washer 5/8 ID x 1.0 OD	50.	732-0802	Spring Compression
22.	741-0524	Bearing .625 ID x 1.57 OD	51.	736-0160	Flat Washer .536 ID x .930 OD
23.	716-3020	Snap Ring	52.	731-1032	Chute Asm
24.	756-0627	Flat Idler Pulley	53.	710-0751	Hex Cap Screw 1/4-20 x .620
25.	756-3103	Double Pulley	54.	736-0270	Bell Washer .265 ID x .75 OD
26.	712-0239	Hex Lock Nut 1/2-20	55.	618-3129	Spindle Assembly
27.	736-0179	Flat Washer 1/2 ID x 1.25 OD	56.	711-3314	Roller Pin
28.	736-0188	Flat Washer .76 ID x 1.49 OD	57.	710-3008	Hex Cap Screw 5/16-18 x .75
29.	750-0656	Spacer .50 OD x .75 ID			

# Model 53AA1A3G401 Wheels, Rear & Fuel Tank



REF. NO.	PART NO.	DESCRIPTION
1.	751-3124B	Fuel Cap
2.	751-3143	Fuel Tank
3.	736-0227	Flat Washer.390 ID x 1.5 OD
4.	736-0169	Lock Washer 3/8
5.	703-2783	Fuel Tank Mounting Bracket
6.	710-0870	Hex Washer Screw 3/8-16 x .625
7.	710-1260A	Hex Washer Screw 5/16-18 x .75
8.	734-1596	Tire 20 x 8 - 8
9.	634-3005	Rim Ass'y 8 x 6.19
10.	734-0255	Tubeless Air Valve
11.	634-3050	Wheel Comp 20 x 8 - 8