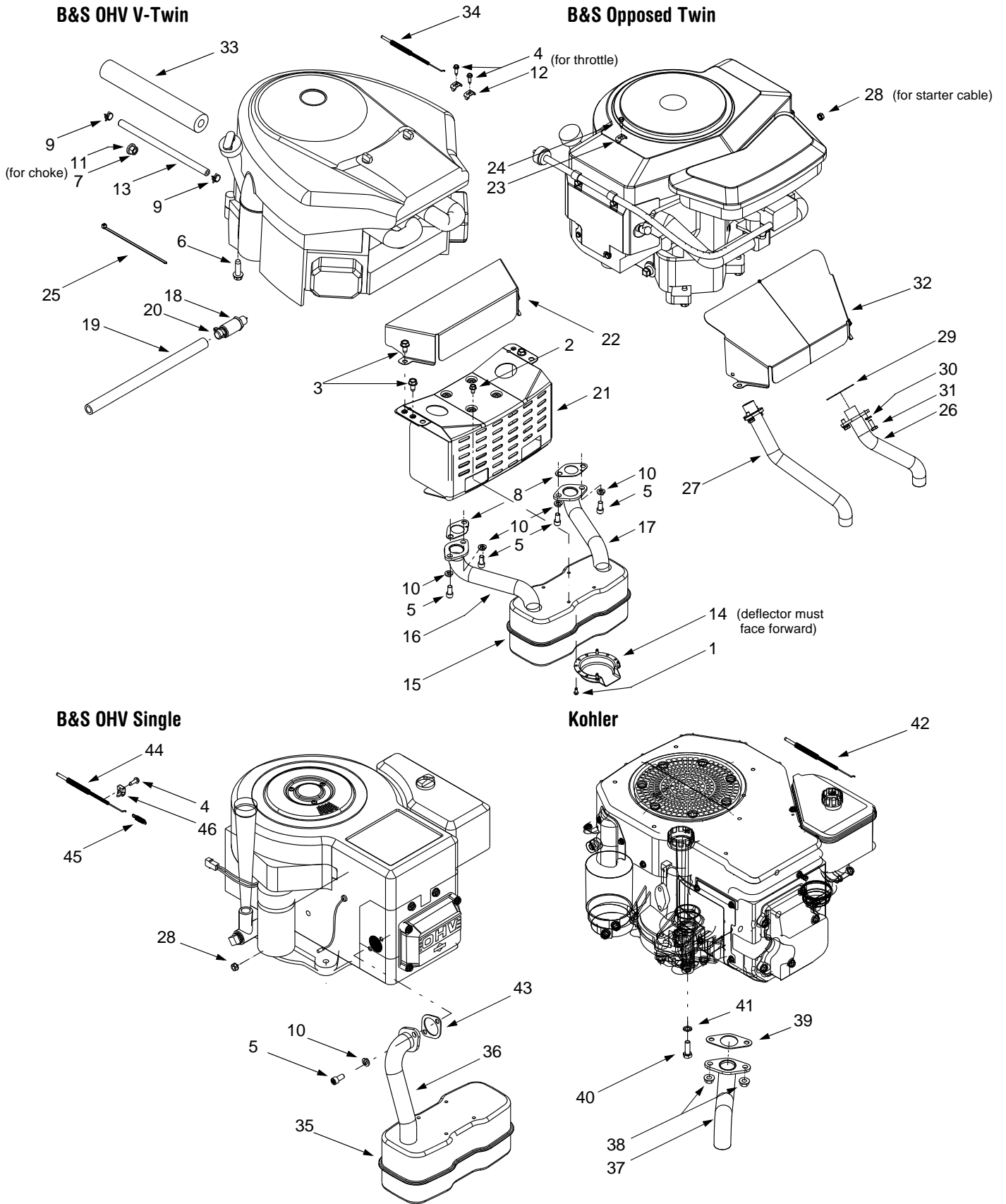


SECTION 12: MODELS 607, 608 & 609 PARTS LIST

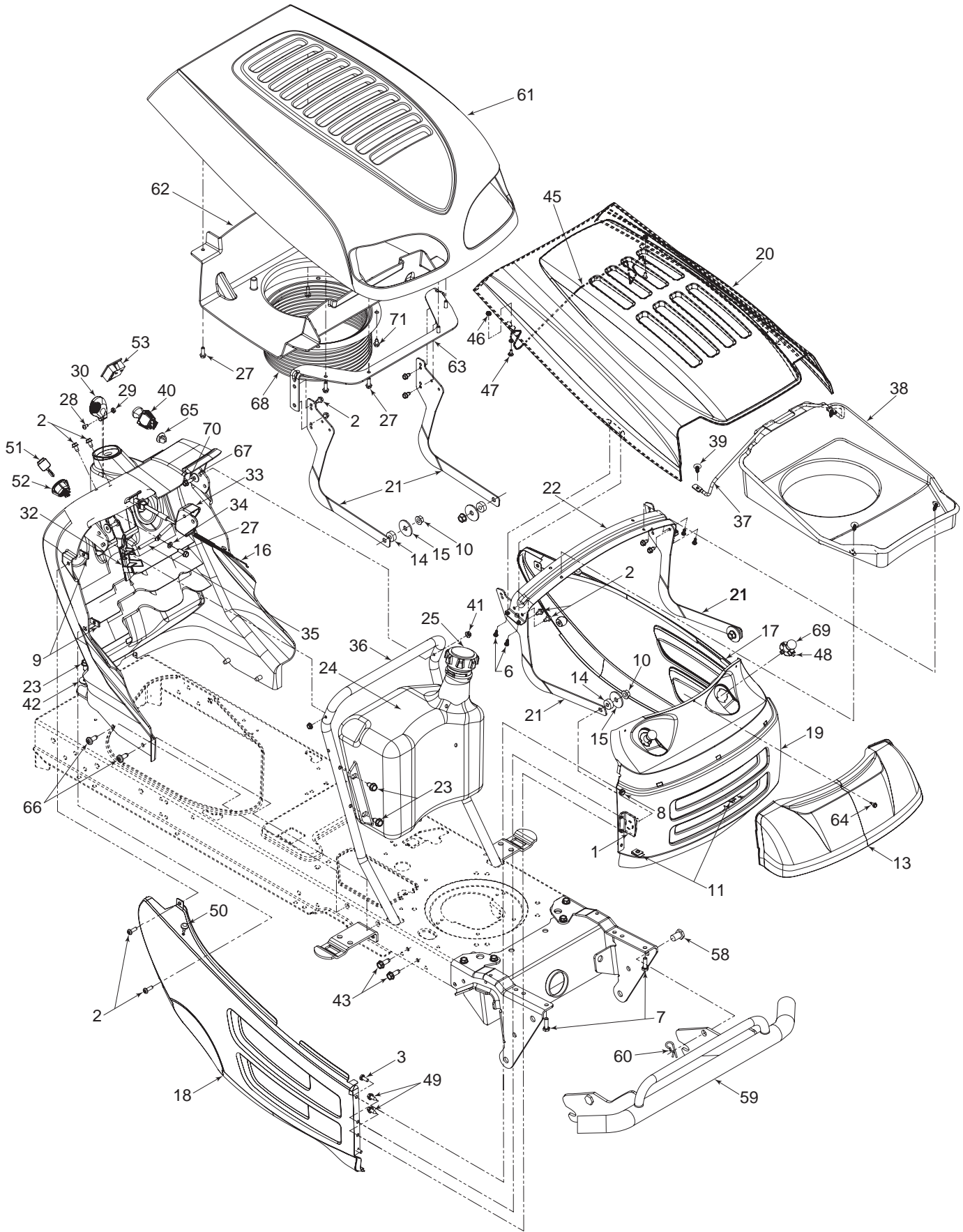


Models 607, 608 & 609

REF. NO.	PART NO.	DESCRIPTION
1	710-0227	Self-tapping Screw, #8-18 x .50
2	710-0599	Self-tapping Screw, 1/4-20 x .50
3	710-0604A	Self-tapping Screw, 5/16-18 x .625
4	710-1237	Screw, #10-32 x .625 (B&S OHV V-Twin)
5	710-1314A	Socket Cap Screw, 5/16-18 x .625
6	710-1315	Self-tapping Screw, 3/8-16 x 1.25
7	712-3017	Hex Nut, 3/8-16
8	721-0460	Exhaust Gasket (B&S OHV V-Twin)
9	726-0205	Hose Clamp
10	736-0119	Lock Washer, 5/16
11	736-0300	Lock Washer, .406 x .875 x .059
12	751B221535	Casing Clamp (B&S OHV V-Twin)
13	751-0535	Fuel Line Hose
14	751-0564	Muffler Deflector
15	751-0616	Muffler, Twin Inlet (B&S Opposed Twin & OHV V-Twin)
16	751-0650	RH Exhaust Pipe (B&S OHV V-Twin)
17	751-0651	LH Exhaust Pipe (B&S OHV V-Twin)
18	751-3140	Oil Drain Valve
19	751-3141	Oil Drain Hose
20	751-3142	Oil Drain Cap
21	783-0615B	Muffler Heat Shield
22	783-0625C	Engine Heat Shield (B&S OHV V-Twin)
23	726-0272	Clamp, 9/16 (B&S Opposed Twin)
24	712-0779A	Screw, #10-16 x .5 (B&S Opposed Twin)
25	725-0157	Cable Tie
26	751-0623	LH Exhaust Pipe (B&S Opposed Twin)
27	751-0624	RH Exhaust Pipe (B&S Opposed Twin)
28	712-0271	Hex Sems Nut, 1/4-20 (B&S Opposed Twin & OHV Single)
29	721-0346	Exhaust Gasket (B&S Opposed Twin)
30	736-0329	Lock Washer, 1/4 (B&S Opposed Twin)
31	710-3015	Hex Screw, 1/4-20 x .750 (B&S Opposed Twin)
32	783-0357B	Heat Shield (B&S Opposed Twin)
33	722-0263	Foam, .625 x 1.5 x 10 (fits over fuel line)
34	746-1086	Throttle Cable (B&S Opposed Twin & OHV V-Twin)
35	751-0617	Muffler, Single Inlet (B&S OHV Single & Kohler)
36	751-0619	Exhaust Pipe (B&S OHV Single)
37	751-0621	Exhaust Pipe (Kohler)
38	712-3086	Flange Nut, 8mm (Kohler)
39	721-0375	Exhaust Gasket (Kohler)
40	710-3206A	Hex Cap Screw, 8mm (Kohler)
41	736-0607	External Lock Washer (Kohler)
42	746-1087	Throttle Cable (Kohler)
43	721-0208	Exhaust Gasket (B&S OHV Single)
44	746-1084	Throttle Cable (B&S OHV Single)
45	732-0966	Extension Spring, .275 x 1.25 (B&S OHV Single)
46	751B213146	Casing Clamp (B&S OHV Single)

NOTE: Engine accessory parts are applicable to all 607, 608 & 609 model tractors except where otherwise noted.

Models 607 & 608

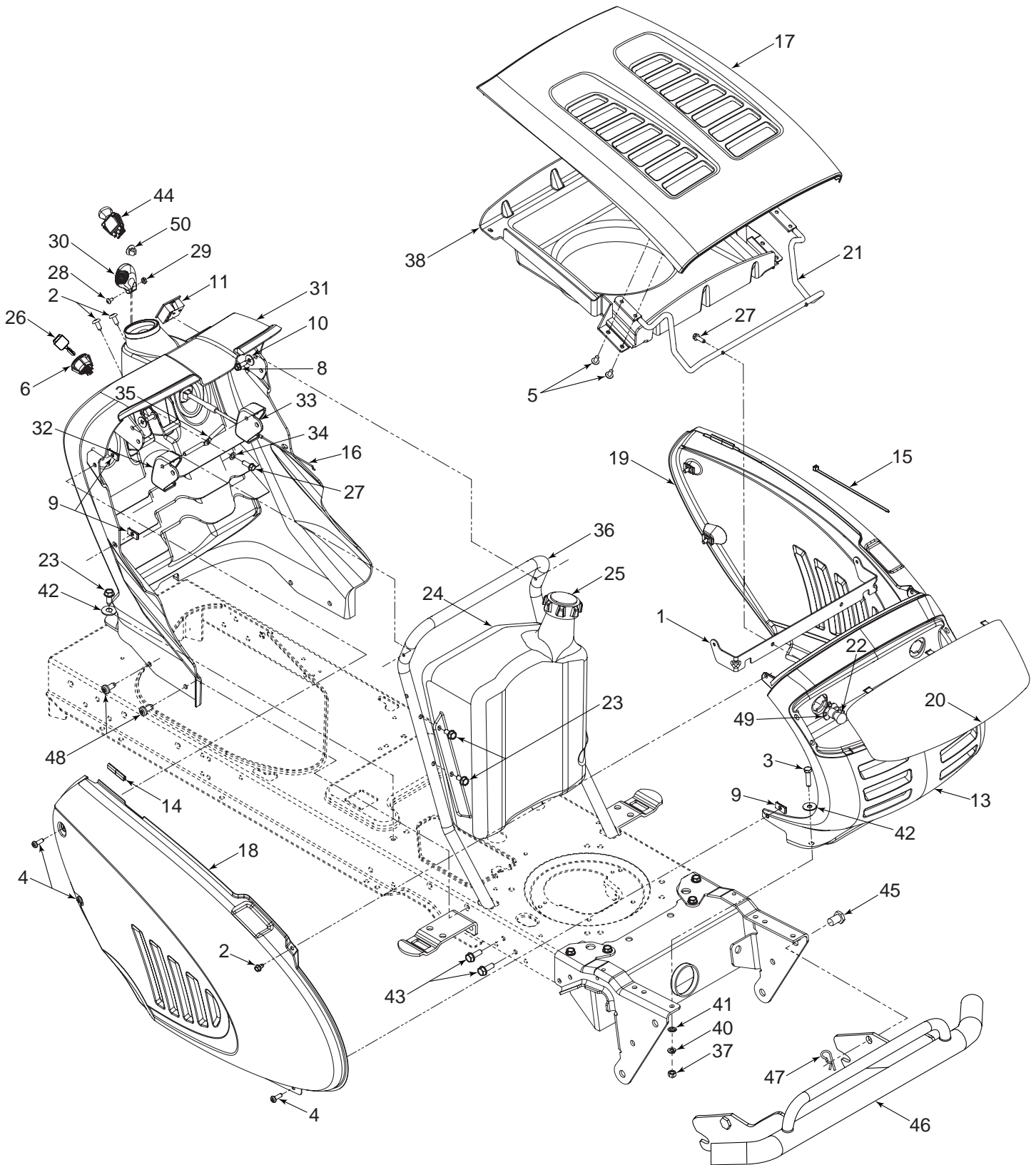


Models 607 & 608

REF. NO.	PART NO.	DESCRIPTION	REF. NO.	PART NO.	DESCRIPTION
1	683-0195	Bracket Assembly (8-style)		N/A	Hood Plenum
2	710-0599	Self-tapping Screw, 1/4-20 x .5			(Models with B&S OHV Single or Kohler)
3	710-0751	Hex Cap Screw, 1/4-20 x .62	39	726-3046	Ratchet Clip
4	710-0924	Phillips Pan Screw, 1/4-20 x .75	40	725-1752	Electric PTO Switch
6	710-0351	Screw, #10-16 x .5	41	712-3027	Hex Flange Lock Nut, 1/4-20
7	710-0376	Hex Cap Screw, 5/16-18 x 1.0	42	736-3078	Flat Washer, .349 x 1.0 x .063
8	712-0271	Hex Sems Nut, 1/4-20	43	710-0650	Screw, 5/16-18 x .875 (Grade 5)
9	712-0292	U-type Speed Nut, 1/4-20	45	747-1215A	Hood Latch
10	712-0431	Flange Lock Nut, 3/8-16	46	712-0272	Hex Sems Nut, #10-32
11	726-0211	U-nut, 5/16-18	47	710-0473	Machine Screw, #10-24
13	731-1854A	Headlight Lens (8-style)	48	725-1649	Headlight Socket
14	735-0126	Rubber Washer, .87 x .33	49	710-0896	Hex Index Washer Screw, 1/4-14 x .0625
15	736-3039	Flat Washer, .406 x 1.5 x 11GA	50	735-0199A	Rubber Bumper
16	746-1085	Choke Knob/Cable	51	725-1745	Ignition Key w/ plastic cover
		(Models with any B&S Twin)		725-1744	Ignition Key w/o plastic cover
	746-1088	Choke Knob/Cable	52	725-1741	Ignition Switch
		(Models with Kohler)	53	725-1976	Systems Indicator Monitor w/ Hour Meter
17	783-0475B	LH Side Panel (8-style)		725-1758	Systems Indicator Monitor w/ Ammeter
18	783-0476C	RH Side Panel (8-style)	58	711-0332	Clevis Pin, .50 x .78
19	783-0477A	Grill (8-style)	59	768-0010A	Bumper Assembly
20	783-0478A	Hood (8-style)	60	714-0145	Internal Cotter Pin
21	783-1495	Hood Hinge Bracket	61	731-2300	Hood, Red (7-Style)
22	783-0553A	Hood Support Bracket		731-2301	Hood, Green (7-Style)
23	710-0604A	Self-tapping Screw, 5/16-18 x .625		731-2302	Hood, Black (7-Style)
24	751-0658D	Fuel Tank, Three Gallon		731-2303	Hood, Charcoal Grey (7-Style)
	751-0659C	Fuel Tank, Two Gallon (Shown)	62	731-2306	Hood Plenum
25	751-0603	Fuel Cap (Fits Either Tank)	63	783-1034	Hood Bracket (7-Style)
26	710-0809	Self-tapping Screw, 1/4-20 x 1.25	64	710-0456	Hex Screw, #10 x .50
27	710-0895	Self-tapping Screw, 1/4-15 x .75	—	629-0309	Headlight Wire Harness
28	710-3217	Truss Phillips Screw, #8-32 x .375	—	629-1067	Tractor Wire Harness
29	712-0142	Hex Nut, #8-32			(Models with Hour Meter & Electric PTO)
30	731-1857	Throttle Control Knob	—	629-1068	Tractor Wire Harness (Kohler)
31	731-2225C	Dash Panel (Models w/ Electric PTO)			(Models with Hour Meter & Electric PTO)
	731-2122C	Dash Panel (Models w/ Manual PTO)	—	629-1071	Tractor Wire Harness
32	731-2226	Cruise Control Button			(Models with Hour Meter & Manual PTO)
	731-2228	Cruise Cover (Models w/o Cruise Control)	—	629-1072	Tractor Wire Harness
33	731-2227	Parking Brake Button			(Models with Ammeter & Manual PTO)
34	736-0142	Flat Washer, 9/32 x 1/2 x 1/16	65	731-1999	Choke Plug
35	747-1196	Brake/Cruise Pivot Rod	66	710-1611B	Screw, 5/16-18 x .75
36	749-1087B	Dash Support Tube	67	736-0270	Bell Washer, .265 x .75 x .062
37	747-1184	Hood Plenum Support Rod	68	731-2232	Intake Bellow (Intek Single & kohler)
38	731-2247A	Hood Plenum	69	725-0963	Lamp
		(Models with B&S OHV V-Twin)	70	710-0642	Self-tapping Screw, 1/4-20 x .75
	731-2248A	Hood Plenum	71	710-0599	Self-tapping Screw, 1/4-20 x .50
		(Models with B&S Opposed Twin)			

NOTE: Tractor features vary by model. NOT all parts listed above and pictured on the previous page are standard equipment.

Model 609



Model 609

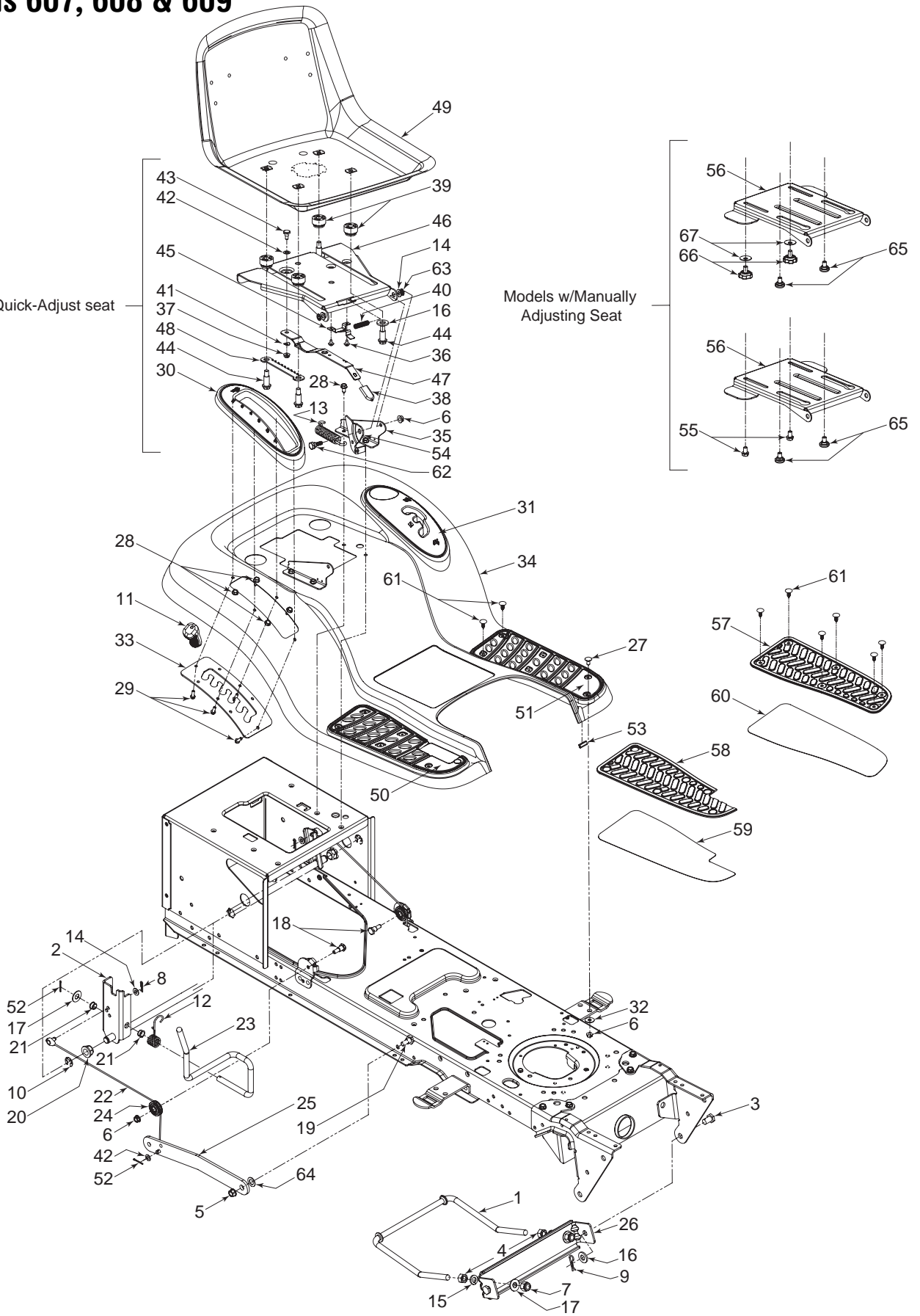
REF. NO.	PART NO.	DESCRIPTION	REF. NO.	PART NO.	DESCRIPTION
1	783-1346	Grill Support Bracket (9-style)	32	731-2226	Cruise Control Button
2	710-0599	Self-tapping Screw, 1/4-20 x .5	33	731-2227	Parking Brake Button
3	710-0528	Hex Cap Screw, 5/16-18 x 1.25	34	736-0142	Flat Washer, 9/32 x 1/2 x 1/16
4	710-0924	Phillips Pan Screw, 1/4-20 x .75	35	747-1196	Brake/Cruise Pivot Rod
5	710-1017	Truss Phillips Screw, 1/4-20 x .625	36	749-1087B	Dash Support Tube
6	725-1741	Ignition Switch	37	712-3010	Hex Nut, 5/16-18
8	710-0642	Self-tapping Screw, 1/4-20 x .75	38	731-2269A	Hood Plenum (Models with Kohler)
9	712-0292	U-type Speed Nut, 1/4-20		731-2270A	Hood Plenum
10	736-0270	Bell Washer, .265 x .75 x .062			(Models with B&S OHV V-Twin)
11	725-04036	Systems Indicator Monitor w/ Hour Meter		731-2271	Hood Plenum
	725-1758	Systems Indicator Monitor w/ Ammeter			(Models with B&S Opposed Twin)
13	731-2119A	Grille (9-style)		N/A	Hood Plenum
14	731-0511	Trim Strip, 4			(Models with B&S OHV Single)
15	725-0157	Cable Tie, 3/16 x .05 x 7.4	39	726-3046	Ratchet Clip
16	746-1085	Choke Knob/Cable	40	736-0119	Lock Washer, 5/16
		(Models with any B&S Twin)	41	726-0201	Speed Nut, .3125
	746-1088	Choke Knob/Cable (Models with Kohler)	42	736-3078	Flat Washer, .349 x 1.0 x .063
17	783-0783	Hood (9-style)	43	710-0650	Screw, 5/16-18 x .88 (Grade 5)
18	783-0784	RH Side Panel (9-style)	44	725-1752	Electric PTO Switch
19	783-0785	LH Side Panel (9-style)	45	711-0332	Clevis Pin, .50 x .78
20	731-2118A	Headlight Lens (9-style)	46	768-0010A	Bumper Assembly
21	747-2138	Hood Hinge Rod	47	714-0145	Internal Cotter Pin
22	725-0963	Lamp	48	710-1611B	Screw, 5/16-18 x .75
23	710-0604A	Self-tapping Screw, 5/16-18 x .625	49	725-1649	Socket
24	751-0658D	Fuel Tank, Three Gallon (Shown)	50	731-1999	Choke Plug
	751-0659C	Fuel Tank, Two Gallon	—	629-0309	Headlight Wire Harness
25	751-0603	Fuel Cap	—	629-1067	Tractor Wire Harness
26	725-1745	Ignition Key w/ plastic cover			(Models with Hour Meter & Electric PTO)
	725-1744	Ignition Key w/o plastic cover	—	629-1068	Tractor Wire Harness (Kohler)
27	710-0895	Self-tapping Screw, 1/4-15 x .75			(Models with Hour Meter & Electric PTO)
28	710-3217	Truss Phillips Screw, #8-32 x .375	—	629-1071	Tractor Wire Harness
29	712-0142	Hex Nut, #8-32			(Models with Hour Meter & Manual PTO)
30	731-1857	Throttle Control Knob	—	629-1072	Tractor Wire Harness
31	731-2225C	Dash Panel (Models w/ Electric PTO)			(Models with Ammeter & Manual PTO)
	731-2122C	Dash Panel (Models w/ Manual PTO)			

NOTE: Tractor features vary by model. NOT all parts listed above and pictured on the previous page are standard equipment.

Models 607, 608 & 609

Models w/Quick-Adjust seat

Models w/Manually Adjusting Seat



Models 607, 608 & 609

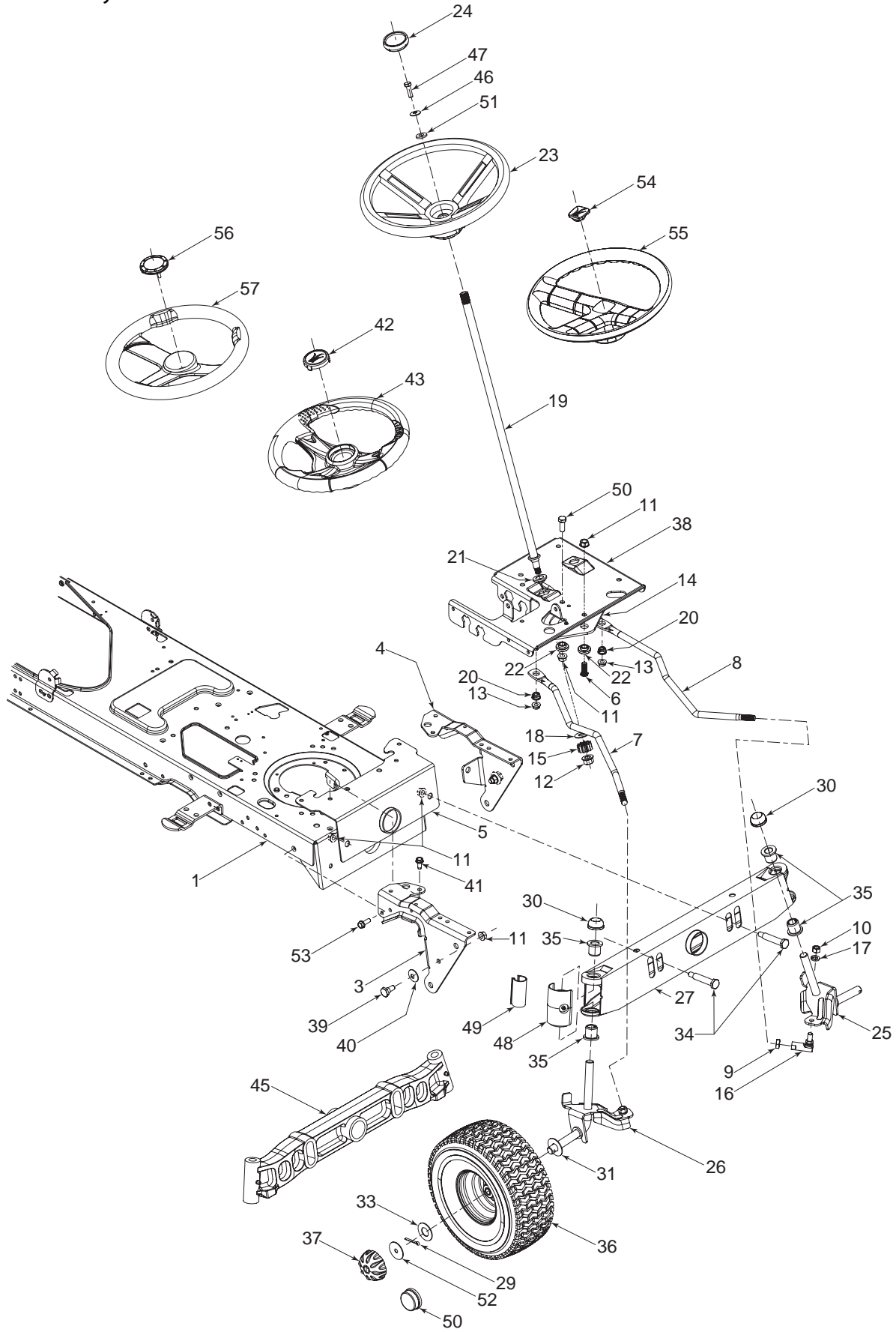
REF. NO.	PART NO.	DESCRIPTION	REF. NO.	PART NO.	DESCRIPTION
1	747-1130B	Deck Stabilizer Rod	35	783-1489	Seat Mounting Bracket
2	683-0197B	Lift Shaft Assembly	36	710-1268	Screw, #10-16 x .375
3	711-0332	Clevis Pin, .5 x .78	37	712-3027	Hex Flange Lock Nut, 1/4-20
4	712-0206	Hex Nut, 1/2-13	38	720-0309A	Seat Adjuster Grip
5	712-0431	Flange Lock Nut, 3/8-16	39	731-04074	Spacer
6	712-3004A	Flange Lock Nut, 5/16-18	40	732-0499	Compression Spring, .41 x 1.5
7	712-3083	Hex Nut, 1/2-13	41	736-0175	Spring Washer, .265 x .562 x .025
8	714-0104	Internal Cotter Pin	42	736-0204	Flat Washer, .344 x .62 x .03
9	714-0145	Internal Cotter Pin	43	738-0137A	Shoulder Screw, .340 x .285, 1/4-20
10	716-0106	E-ring	44	738-0966	Shoulder Screw, .50 x .925, 3/8-16
11	720-0311	Handle Grip	45	783-0611	Seat Stop
12	732-0874	Torsion Spring	46	783-0738	Seat Pivot Bracket
13	732-1184	Extension Spring, .84 x 4.6	47	783-0739	Seat Adjustment Lever
14	736-0275	Flat Washer, 5/16	48	783-0753	Seat Adjustment Selector
15	736-0921	Lock Washer, 1/2	49	757-04003	High Back Seat, Black
16	736-3019	Flat Washer, .31 x 1.062 x .134		757-04002	Medium Back Seat, Black
17	736-3084	Flat Washer, .51 x 1.12 x .06		757-04001	Low Back Seat, Black
18	738-0138A	Hex Cap Screw, 5/16-18 x .62	50	735-0656	RH Foot Pad, Rubber (4-Style Fender)
19	738-0143	Shoulder Screw, 3/8-16	51	735-0657	LH Foot Pad, Rubber (4-Style Fender)
20	741-0225	Hex Flange Bearing	52	714-0111	Cotter Pin
21	741-0715	Snap Flange Bearing	53	731-0511	Trim Strip
22	746-0968	Lift Cable, 16.16 (42-inch decks)	54	783-0209A	Seat Lift Bracket
	746-1144	Lift Cable, 15.62 (46-inch decks)	55	710-0870	Hex Head Washer Screw, 3/8-16 x .625
23	747-1111A	Lift Handle	56	783-04081	Seat Pivot Bracket, Manually Adjusted
24	756-1154	Roller Pulley	57	735-0672	RH Foot Pad, Rubber (7-Style Fender)
25	783-0678A	Arm Lift	58	735-0673	LH Foot Pad, Rubber (7-Style Fender)
26	783-0720A	Deck Stabilizer Bracket	59	723-0484	RH Foot Pad, Grit (7-Style Fender)
27	710-0260A	Carriage Bolt, 5/16 x .62	60	735-0483	LH Foot Pad, Grit (7-Style Fender)
28	710-0726	Self-tapping Screw, 5/16-18 x .75	61	726-3046	Ratchet Clip
29	710-0895	Self-tapping Screw, 1/4-15 x .75	62	738-0296	Shoulder Screw, .437 x .286
30	731-1990	Lift Lever Cover	63	726-0201	Speed Nut, .3125
31	731-2104B	Shift Lever Cover w/ Cup Holder	64	736-0160	Flat Washer, .531 x .93
32	736-3078	Flat Washer, .349 x 1.0 x .063	65	738-04012	Shoulder Spacer
33	783-0677	Lift Adjustment Bracket	66	720-04009	Knob, 3/8-16
34	783-1279	Fender, 4-Style† (Shown)	67	736-0331	Cupped Washer, .39 x 1.12
	783-0839B	Fender, 7-Style‡			

†Models equipped with a 4-style fender can accept the shift lever cover w/ cup holder.

‡Models equipped with a 7-style fender cannot accept the shift lever cover w/ cup holder.

NOTE: Tractor features vary by model. NOT all parts listed above and pictured on the previous page are standard equipment.

Models 607, 608 & 609



Models 607, 608 & 609

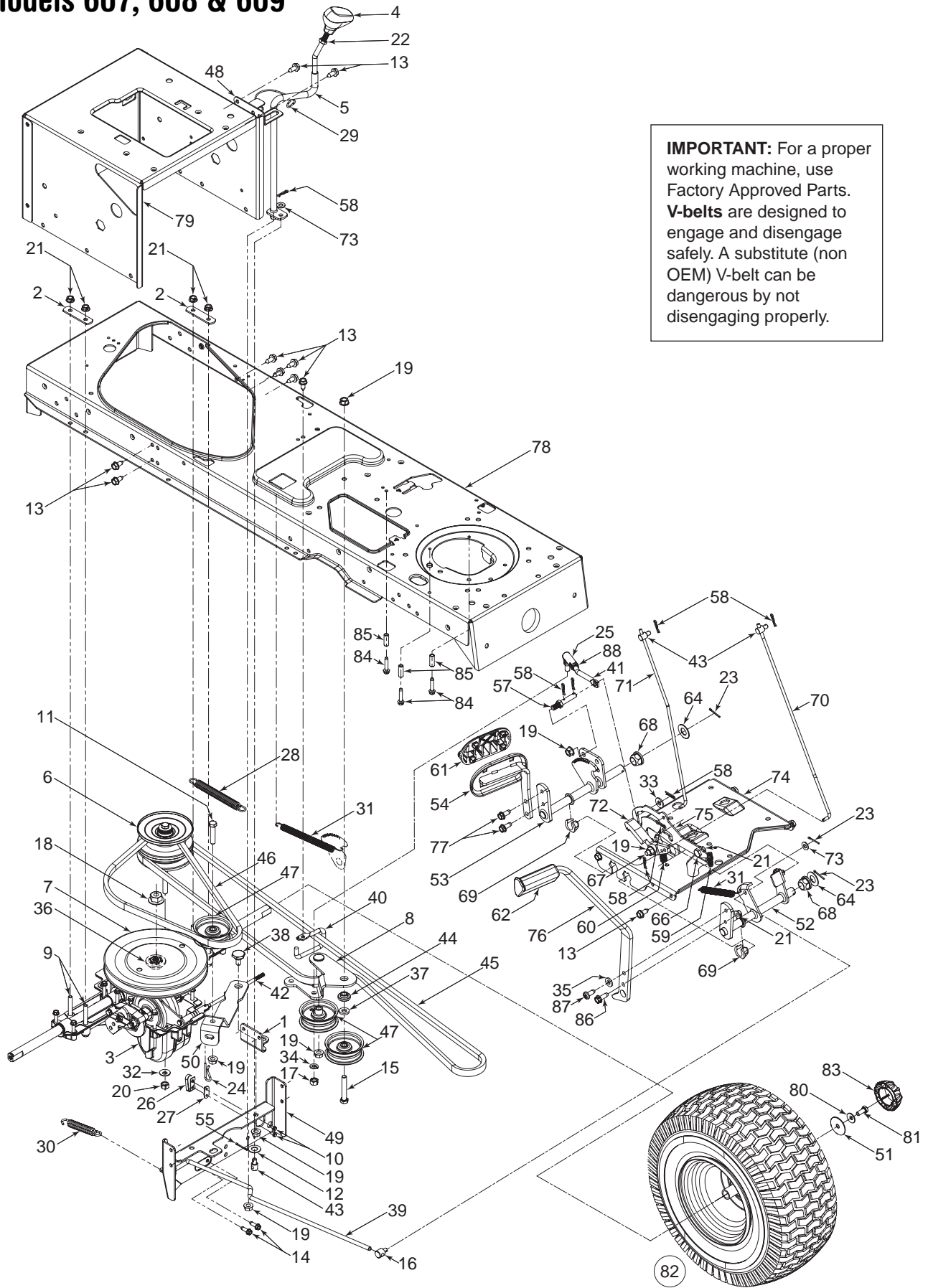
REF. NO.	PART NO.	DESCRIPTION	REF. NO.	PART NO.	DESCRIPTION
2	710-0604A	Self-tapping Screw, 16-18 x .625	35	741-0659	Flange Bearing, .632 ID x .937 OD†
3	783-0726B	RH Pivot Support Bracket		741-0660	Flange Bearing, .76 ID x .937 OD‡
4	783-0727A	LH Pivot Support Bracket	36	634-0105A	Wheel Assembly, 15 x 6 x 6 Square Shoulder
5	783-0728	Pivot Bar Bracket		634-0056A	Wheel Assembly, 15 x 6 x 6 Round Shoulder
6	710-04095	Hex Cap Screw, 3/8-16 x 1.0 (Grade 5)		634-0172	Rim Assembly Only
7	711-1408	RH Drag Link		734-0255	Air Valve (Not Shown)
8	711-1409A	LH Drag Link		734-1731	Tire Only, Square Shoulder
9	712-0240	Jam Nut, 7/16-20 (Grade 2)		734-0864	Tire Only, Round Shoulder
10	712-0241	Hex Nut, 3/8-24 (Grade 2)	37	734-2290A	Deluxe Hub Cap (Ref. 33 Required)
11	712-0431	Flange Lock Nut, 3/8-16	38	783-0653F	Steering Support Bracket
12	712-0459	Flange Lock Nut, 7/16-20	39	738-0143	Shoulder Screw, 3/8-16
13	712-3004A	Flange Lock Nut, 5/16-18	40	736-0331	Bell Washer, .39 x 1.13 x .062
14	717-1550D	Steering Gear, 11/90 Ratio	41	710-1260A	Self-tapping Screw, 5/16-18 x .75
15	717-1554	Steering Pinion Gear	42	731-04040	Deluxe Steering Wheel
16	723-0448A	Ball Joint, 7/16-20	43	634-04008	Steering Wheel, Soft Grip
17	736-0169	Lock Washer, 3/8	44	731-0484A	Standard Hub Cap (Ref. 33 Not Necessary)
18	736-3084	Flat Washer, .51 x 1.12 x .06	45	719-0399B	Cast Iron Pivot Bar†
19	738-1001A	Steering Shaft, .625 OD x 24.4		719-0525B	Cast Iron Pivot Bar‡
20	741-0475	Plastic Bushing, .38 ID	46	736-0242	Bell Washer, .34 x .872
21	741-0656	Hex Flange Bearing, 5/8	47	710-0643	Hex Bolt, 5/16-18 x 1.0
22	738-0372B	Shoulder Spacer, .38 ID	48	731-1291A	Pivot Bar End Cap w/ Fitting
23	631-0027	Standard Steering Wheel, 13.25	49	731-1649	Pivot Bar End Cap w/o Fitting
24	731-0220	Steering Wheel Cap, Round	50	710-0514	Hex Screw, 3/8-16 x 1.0
25	638-0019A	LH Axle Assembly, .625 Diameter†	51	736-3004	Flat Washer, .406 x .875 x .105
	638-0021	LH Axle Assembly, .625/.750 Diameter‡	52	736-0430	Flat Washer, .35 x 1.59 x .062
26	638-0020A	RH Axle Assembly, .625 Diameter†	53	710-1238	Screw, Hex Washer, 5/16-18 x .87
	638-0022	RH Axle Assembly, .625/.750 Diameter‡	54	731-1459A	Steering Wheel Cap
27	683-0128A	Steel Pivot Bar	55	731-1687	Steering Wheel
29	714-0470	Cotter Pin	56	731-2625	Steering Wheel Cap
30	726-0214	Push Cap, .625†	57	731-2624	Steering Wheel, Soft Grip
	726-0341	Push Cap, .75‡			
33	736-0285	Flat Washer, .635 x 1.589 x .06			
34	738-1011	Shoulder Screw, .5 x 2.2, 3/8-16			

†Models equipped with a 42-inch deck.

‡Models equipped with a 46-inch deck.

NOTE: Tractor features vary by model. NOT all parts listed above and pictured on the previous page are standard equipment.

Models 607, 608 & 609

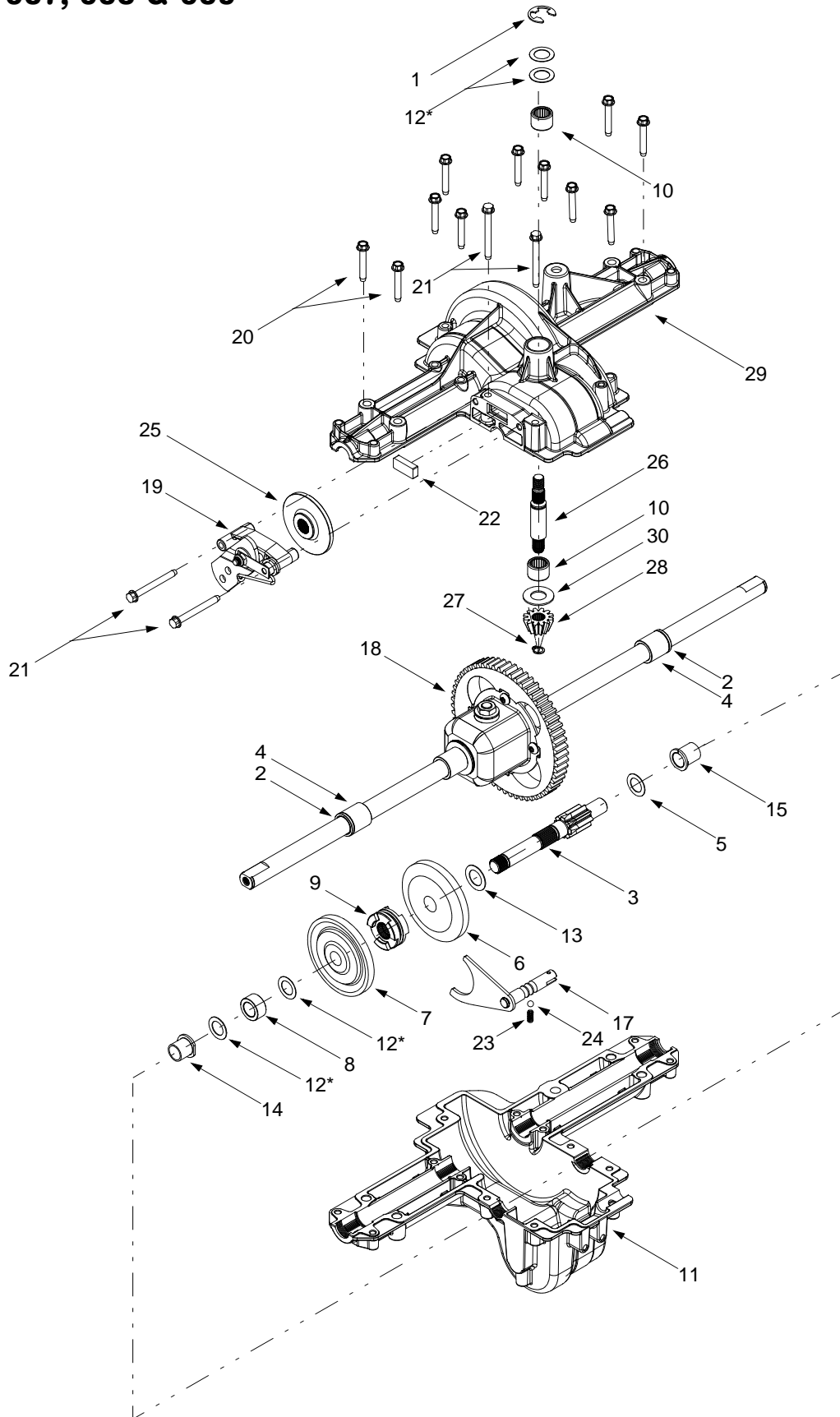


Model 607, 608 & 609

REF. NO.	PART NO.	DESCRIPTION	REF. NO.	PART NO.	DESCRIPTION
1	783-1015	Shift Lever Support	48	783-1016B	Speed Control Rod Bracket
2	17840	Transaxle Mounting Bracket	49	783-0667B	Transmission Torque Bracket
3	618-0551A	Single-speed Transmission Assembly	50	783-0669	Idler Bracket
4	631-0009A	Shifter Knob	51	736-0430	Flat Washer, .350 x 1.59 x .062
5	647-0045	Shift Lever	52	647-0031B	Brake Control Assembly
6	656-0048	Variable-speed Pulley Assembly	53	647-0032	Speed Control Assembly
7	656-0051A	Transmission Pulley, 8.5 x .5-36	54	683-0266	Drive Pedal Assembly
8	683-0251	Double-idler Bracket	55	714-0470	Cotter Pin, 1/8 x 1.25
9	710-0176	Hex Cap Screw, 5/16-18 x 2.75	57	711-1363	Pin, 3/8-16 x 2.43
10	710-0227	Self-tapping Screw, #8-18 x .5	58	714-0104	Cotter Pin
11	710-0347	Hex Cap Screw, 3/8-16 x 1.75	59	732-0335	Compression Spring, .34 OD x 1.0
12	736-0272	Flat Washer, .51 x 1.0 x .060	60	732-0955	Extension Spring, .50 OD x 1.41
13	710-0726	Self-tapping Screw, 5/16-18 x .75	61	735-0662	Drive Pedal Pad
14	710-0642	Self-tapping Screw, 1/4-20 x .75	62	735-3049	Brake Pedal Pad
15	710-3011	Hex Cap Screw, 3/8-16 x 2.25	64	736-0187	Flat Washer, .64 x 1.24 x .06
16	711-0677	Ferrule, 5/16-18	66	738-0155	Shoulder Screw, .437 x 1.62
17	712-0241	Hex Nut, 3/8-24	67	738-0507B	Shoulder Screw, .5 x .434
18	712-0702	Hex Nut, 7/16-20	68	741-0225	Hex Flange Bearing
19	712-0431	Flange Lock Nut, 3/8-16	69	741-3065B	Split Hex Flange Bearing
20	712-3017	Hex Nut, 3/8-16	70	747-1137	Cruise Control Rod
21	712-3004A	Flange Lock Nut, 5/16-18	71	747-1138	Brake Lock Control Rod
22	712-3008	Jam Nut, 3/8-16	72	748-0413	Cruise Latch
23	714-0111	Cotter Pin	73	736-0275	Flat Washer, .344 x .688 x .065
24	714-0209	Cotter Pin	74	783-0653F	Steering Support Bracket
25	723-3018	Ball Joint	75	783-0732	Drive Lockout Bracket
26	725-1644	Short Spring Switch	76	783-0773	Brake Pedal
27	726-0320	Insulator Nut Plate	77	710-1260A	Self-tapping Screw, 5/16-18 x .75
28	732-0384	Extension Spring, .62 Dia. x 6.12	78	683-0304C	Lower Frame Assembly
29	732-0525	Compression Spring Clip	79	783-1031A	Hitch Plate
30	732-0716	Extension Spring, .59 OD x 4	80	736-0242	Bell Washer, .34 x .872
31	732-0963	Extension Spring, .50 Dia. x 6.37 (hooks to flange, 783-0650, in frame)	81	710-0627	Hex Cap Screw, 5/16-24 x .85
32	736-0105	Bell Washer, .401 x .87 x .063	82	634-0177	Wheel Assembly Complete 20 x 10 x 8 Square Shoulder
33	736-0262	Flat Washer, .385 x .87 x .09		634-0104	Wheel Assembly Complete 20 x 8 x 8 Square Shoulder
34	736-0169	Lock Washer, 3/8		734-1675	Wheel Assembly Complete 20 x 8 x 8 Round Shoulder
35	736-3008	Flat Washer, .344 x .750 x .120		634-0070	Rim Assembly Only
36	718-0771	Pulley Hub		734-0255	Air Valve (Not Shown)
37	736-3010	Flat Washer, .407 x .812 x .135		734-1873	Tire Only, 20 x 10 x 8, Square Shoulder
38	738-0322	Shoulder Screw, .625 x .217		734-1730	Tire Only, 20 x 8 x 8, Square Shoulder
39	747-1122	Brake Rod		734-1596	Tire Only, 20 x 8 x 8, Round Shoulder
40	747-1123A	Belt Guard	83	734-2290A	Deluxe Hub Cap (Ref. 51 Required)
41	747-1127	Idler Adjustment Rod, 3/8	84	710-0809	Self-tapping Screw, 1/4-20 x 1.25
42	747-1285	Shift Rod	85	750-0566A	Spacer
43	711-0736	Adjustment Ferrule, 1/4-20 x 1.0	86	710-0650	Self-tapping Screw, 5/16-18 x .875
44	738-0372B	Shoulder Spacer, .38 ID	87	710-1611B	Screw, 5/16-18 x .75
45	754-0467	Lower Drive Belt	88	712-0711	Hex Nut, 3/8-24
46	754-0468	Upper Drive Belt			
47	756-0981A	Flat Idler, 2.75 OD			

NOTE: Tractor features vary by model. NOT all parts listed above and pictured on the previous page are standard equipment.

Model 607, 608 & 609

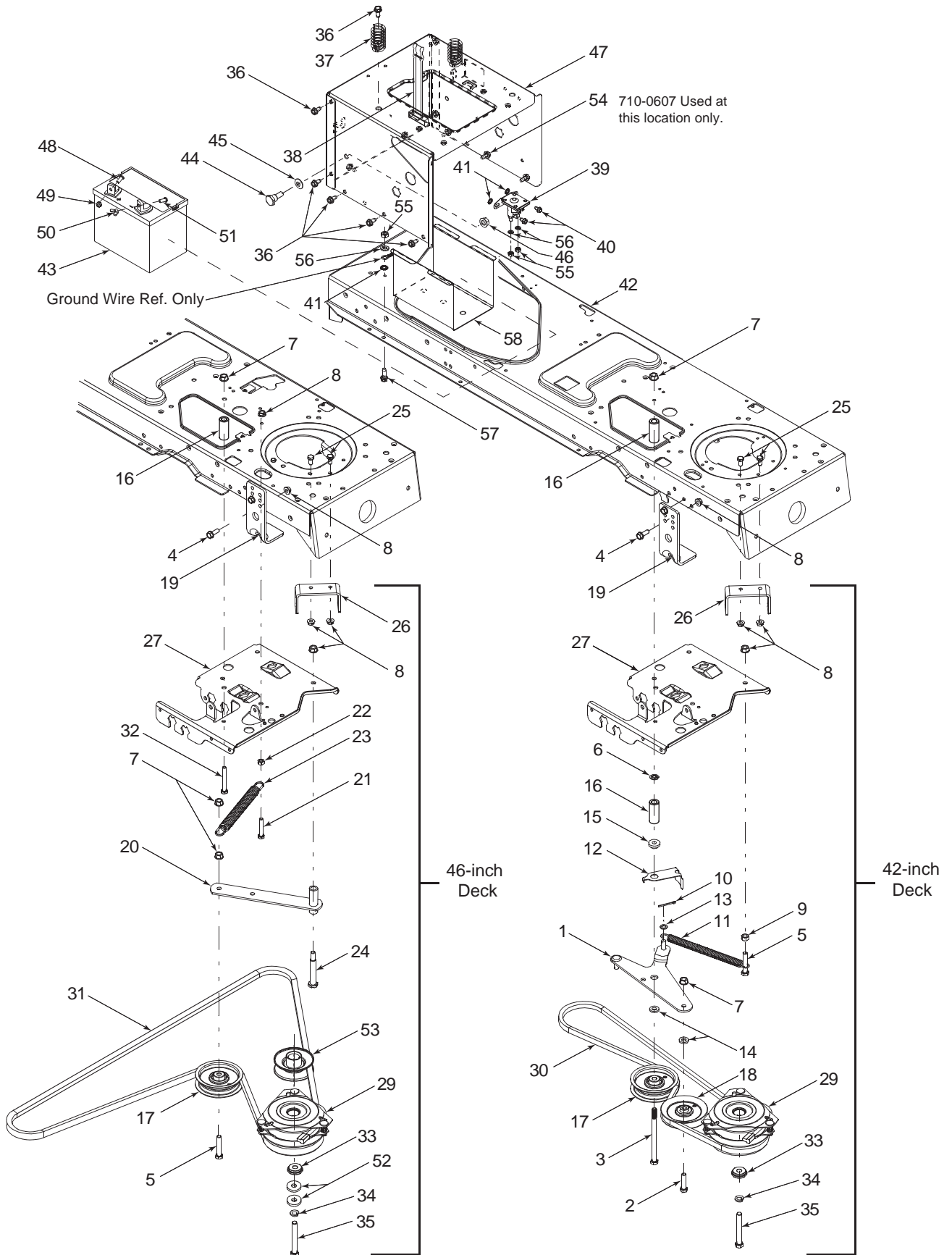


Model 607, 608 & 609

REF. NO.	PART NO.	DESCRIPTION
1	716-0231	E-ring, .75
2	721-0338	Seal, .75 x 1.0 x .125
3	711-1431	Drive Shaft
4	741-0340	Sleeve Bearing, .75 x 1.0 x 1.0
5	736-0495	Thrust Washer, 1.0 x .632 x .0
6	717-1362	42-tooth Bevel Gear
7	717-1363	42-tooth Bevel Gear
8	750-1234	Spacer, .633 x 1.0 x .513
9	718-0228	Clutch Collar
10	741-0335	Needle Bearing, .625 x .813 x 495
11	719-0394	Lower Housing
12a	736-0336	Flat Washer, 5/8 x 1.0 x .030*
12b	736-0337	Flat Washer, 5/8 x 1.0 x .040*
12c	736-0349	Flat Washer, 5/8 x 1.0 x .020*
13	736-0519	Flat Washer, .70 x 1.125 x .031
14	741-0336	Flange Bearing, 5/8 x 3/4 x 3/4
15	741-0337	Flange Bearing, 5/8 x 3/4 x 15/16
16	750-1238	Spacer, .635 x 1.0 x .27
17	611-0133	Detent Shaft Assembly
18	618-0424A	Differential Assembly
19	661-0006	Brake Assembly
20	710-1325	Self-tapping Screw, 1/4-20 x 1.625
21	710-1206	Self-tapping Screw, 1/4-20 x 2.375
22	717-0678	Brake Pad
23	732-0863	Compression Spring
24	741-0862	Detent Ball
25	761-0202	Brake Disc
26	711-1430	Input Shaft
27	716-0108	Retaining Ring, .437
28	717-1464	14-tooth Bevel Pinion
29	719-0580	Upper Housing
30	736-0335	Thrust Washer, .635 x 1.26 x .06

*Use applicable flat washer (12a, 12b or 12c) in this application allowing proper end-play as instructed in *MTD's* Service Manual.

Models 607, 608 & 609 (w/ Electric PTO)



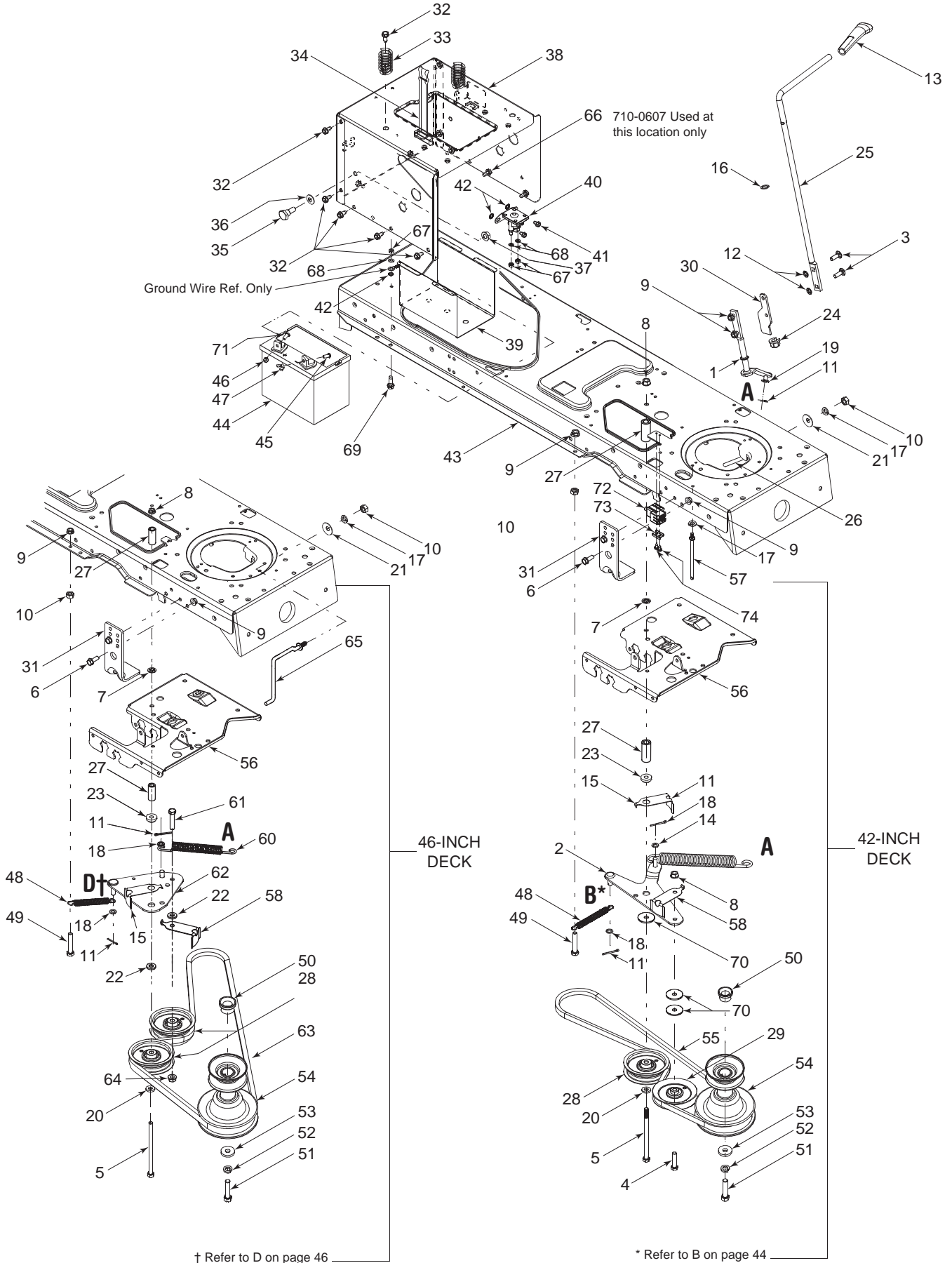
Models 607, 608 & 609

REF. NO.	PART NO.	DESCRIPTION	REF. NO.	PART NO.	DESCRIPTION
1	683-0450	Engagement Plate Assembly	30	754-0497	PTO Belt (Models w/ 42-inch deck)
2	710-0520	Hex Cap Screw, 3/8-16 x 1.5	31	754-0474	PTO Belt (Models w/ 46-inch deck)
3	710-0831	Hex Cap Screw, 3/8-16 x 5.5	32	710-0859	Hex Cap Screw, 3/8-16 x 2.5
4	710-1238	Hex Head Washer Screw, 5/16-18 x .875	33	738-0785	Shoulder Spacer, 1.38 x .445 x .36
5	710-3144	Hex Cap Screw, 3/8-16 x 2.0	34	736-0171	Lock Washer, 7/16
6	712-0229	Push Nut, 3/8	35	710-3157	Hex Cap Screw, 7/16-20 x 3.25 (Grade 5)
7	712-0431	Flange Lock Nut, 3/8-16	36	710-0604A	Self Tapping Screw, 5/16-18 x .625
8	712-3004A	Flange Lock Nut, 5/16-18	37	732-04035	Compression Spring, 1.28 x 3.125
9	712-3017	Hex Nut, 3/8-16	38	723-0444	Battery Strap
10	714-0470	Cotter Pin, 1/8 x 1.25	39	725-1426	Solenoid, 12-Volt, 100 Amp
11	732-0384	Extension Spring, .62 x 6.12	40	710-0599	Self Tapping Screw, 1/4-20 x .5
12	732-0991A	Belt Guard	41	736-0222	Lock Washer, 1/4
13	736-0140	Flat Washer, .385 x .62 x .063	42	683-0304C	Lower Frame Assembly
14	736-3010	Flat Washer, .407 x .812 x .135	43	725-1706	12-volt Battery, 270 CCA
15	738-0372A	Shoulder Spacer, .380	44	738-1020	Shoulder Screw, .625 x .5, 7/16-20
16	748-0415B	Spacer, 3/8 x 1.54	45	736-0407	Bell Washer, .45 x 1.0 x .062
17	756-0627B	Idler Pulley, 3.5	46	712-0459	Flange Lock Nut, 7/16-20
18	756-1208	Idler Pulley, 4.0	47	783-1031A	Hitch Plate
19	783-0891B	Deck Stop	48	710-0703	Hex Cap Screw, 1/4-20 x .75
20	683-0297	Idler Bracket Assembly	49	712-0271	Hex Sems Nut, 1/4-20
21	710-3180	Hex Cap Screw, 5/16-18 x 1.75	50	712-3087	Wing Nut, 1/4-20
22	712-3010	Hex Nut, 5/16-18	51	738-1132	Shoulder Screw, 1/4-20, .25 x .15
23	732-0978	Extension Spring, .62 x 5.62	52	736-0322	Flat Washer, .4375 x 1.25 x .180
24	738-3056	Shoulder Screw, 1/2 x 2.5	53	756-0639A	Engine Pulley
25	710-3025	Hex Cap Screw, 5/16-18 x .625	54	710-0607	Self-tapping Screw, 5/16-18 x .5
26	783-1003	Electric Clutch Anti-rotation Bracket	55	712-3006	Hex Nut, 1/4-20
27	783-0653F	Steering Support Bracket	56	736-0329	Lock Washer, 1/4
28	683-0314	Frame Assembly	57	710-0642	Self-tapping Screw, 1/4-20 x .75
29	717-1708	Electric PTO Clutch	58	783-0349	Battery Tray

IMPORTANT: For a proper working machine, use Factory Approved Parts. **V-belts** are designed to engage and disengage safely. A substitute (non OEM) V-belt can be dangerous by not disengaging completely.

NOTE: Tractor features vary by model. *NOT* all parts listed above and pictured on the previous page are standard equipment.

Models 607, 608 & 609 (w/ Manual PTO)



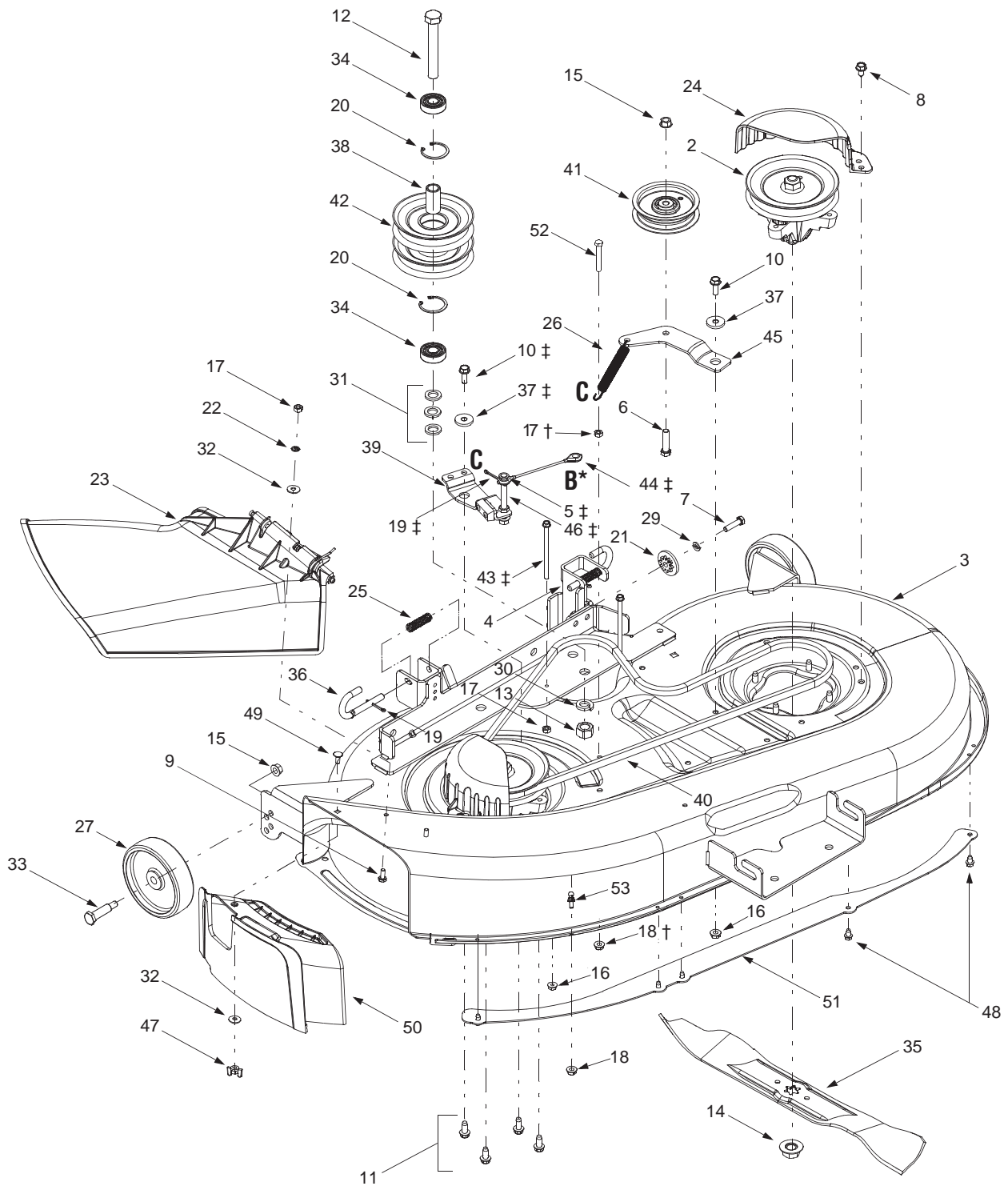
Models 607, 608 & 609

REF. NO.	PART NO.	DESCRIPTION	REF. NO.	PART NO.	DESCRIPTION
1	647-0064	PTO Engage Lever Assembly	38	783-1031A	Hitch Plate
2	683-0450	PTO Engage Plate Assembly	39	783-0349	Battery Tray
3	710-0276	Carriage Screw, 5/16-18 x 1.00	40	725-1426	Solenoid, 12-Volt, 100 Amp
4	710-0520	Hex Cap Screw, 3/8-16 x 1.5	41	710-0599	Self Tapping Screw, 1/4-20 x .5
5	710-0831	Hex Cap Screw, 3/8-16 x 5.5	42	736-0222	Lock Washer, 1/4
6	710-1238	Hex Head Washer Screw, 5/16-18 x .875	43	683-0304C	Lower Frame Assembly
7	712-0229	Push Nut, 3/8	44	725-1706	12-volt Battery, 270 CCA
8	712-0431	Flange Lock Nut, 3/8-16	45	738-1132	Hex Cap Screw, 1/4-20
9	712-3004A	Flange Lock Nut, 5/16-18	46	712-0271	Hex Sems Nut, 1/4-20
10	712-3010	Hex Nut, 5/16-18	47	712-3087	Wing Nut, 1/4-20
11	714-0470	Cotter Pin, 1/8 x 1.25	48	732-1165	Extension Spring, .50 x 5.0
12	726-0201	Speed Nut, .3125	49	710-3180	Hex Cap Screw, 5/16-18 x 1.75
13	731-2111A	PTO Knob	50	750-0596	Spacer Cup
14	732-1170	Extension Spring, .75 x 6.75	51	710-3029	Hex Head Cap Screw, 7/16-20 x 1.25
15	732-0991A	Belt Guard	52	736-0171	Lock Washer, 7/16
16	736-0108	Flat Washer, .510 x .750 x .033	53	736-0322	Flat Washer, .450 x 1.25
17	736-0119	Lock Washer, 5/16	54	756-0982B	Engine Pulley, 3.56 OD x 5.56
18	736-0140	Flat Washer, .385 x .62 x .063	55	754-0497	PTO Belt (Models w/ 42-inch deck)
19	736-0275	Flat Washer, 5/16	56	783-0653F	Steering Support Bracket
20	736-0300	Flat Washer, .406 x .875 x .059	57	711-1044	Keeper Pin, 5/16 x 4.75
21	736-0242	Bell Washer, .345 x .88 x .060	58	732-1013	Belt Guard
22	736-3010	Flat Washer, .407 x .812 x .135	59	710-3025	Hex Cap Screw, 5/16-18 x .625
23	738-0372B	Shoulder Spacer, .380	60	732-0944	Extension Spring, .75 x 6.75
24	741-0708	Hex Split Flange Bearing, .5	61	710-0347	Hex Cap Screw, 3/8-16 x 1.75
25	747-1112D	PTO Engagement Handle	62	683-0302	PTO Engagement Plate Assembly
26	747-1286A	Belt Keeper Rod	63	754-0486A	PTO Belt (Models w/ 46-inch deck)
27	748-0415B	Spacer, 3/8 x 1.54	64	712-0431	Flange Lock Nut, 3/8-16
28	756-0627B	Idler Pulley, 3.5	65	747-1243	Belt Keeper Rod
29	756-1208	Idler Pulley, 4.0	66	710-0607	Self-tapping Screw, 5/16-18 x .5
30	783-0744A	Engagement Stop	67	712-3006	Hex Nut, 1/4-20
31	783-0891B	Deck Stop	68	736-0329	Lock Washer, 1/4
32	710-0604A	Self Tapping Screw, 5/16-18 x .625	69	710-0642	Self-tapping Screw, 1/4-20 x .75
33	732-04035	Compression Spring, 1.28 x 3.5	70	736-3039	Flat Washer, .406 x 1.5 x 11 gauge
34	723-0444	Battery Strap	71	710-0703	Carriage Bolt, 1/4-20 x .75
35	738-1020	Shoulder Screw, .625 x .5, 7/16-20	72	725-1657A	Safety Interlock Switch
36	736-0407	Bell Washer, .45 x 1.0 x .062	73	17962	Switch Plate
37	712-0459	Flange Lock Nut, 7/16-20	74	710-0224	Screw, #10 x .5

IMPORTANT: For a proper working machine, use Factory Approved Parts. **V-belts** are designed to engage and disengage safely. A substitute (non OEM) V-belt can be dangerous by not disengaging completely.

NOTE: Tractor features vary by model. *NOT* all parts listed above and pictured on the previous page are standard equipment.

Models 607, 608 & 609



* Refer to **B** on page 42.

† Found on models equipped with an electric PTO only.

‡ Found on models equipped with a manual PTO only.

Models 607, 608 & 609

REF. NO.	PART NO.	DESCRIPTION	REF. NO.	PART NO.	DESCRIPTION
2	618-0565	Spindle Assembly, 5.75 Dia.	27	734-0973	Deck Wheel, 5 x 1.38
—	618-0574	Spindle Assembly w/ Fitting, 5.75 Dia.	29	736-0119	Lock Washer, 5/16
—	756-0980	Pulley Only	30	736-0158	Lock Washer, 5/8
3	683-0198F	42-inch Deck Shell	31	736-0162	Flat Washer, .64 x 1.0 x .12
4	683-0254	Deck Adjustment Bracket w/ Weld Nut	32	736-0270	Bell Washer, .265 x .75 x .062
5	736-0140	Flat Washer, .385 x .62 x .063	33	738-0373	Shoulder Screw, .498 x 1.53
6	710-0520	Hex Cap Screw, 1/4-20 x 1.5	34	741-0524	Bearing, .625 x 1.574 x .470
7	710-0528	Hex Cap Screw, 5/16-18 x 1.25	35	742-0616A	Three-in-one Blade, Star Center, 21.23"
8	710-0726	Self-tapping Screw, 5/16-18 x .75	36	747-1116	Deck Release Pin
9	710-0751	Hex Cap Screw, 1/4-20 x .62	37	748-0331	Shoulder Spacer, .625 x .324
10	710-1238	Hex Head Washer Screw, 5/16-18 x .875	38	750-0932A	Spacer, .635 x .88 x 1.72
11	710-0650	Self-tapping Screw, 5/16-18 x .88	39	683-0440	Deck Brake Assembly
12	710-3151	Hex Cap Screw, 5/8-18 x .875	40	754-0498	Deck Belt
13	712-0337	Hex Nut, 5/8-18	41	756-0627B	Idler Pulley, 3.5
14	712-0417A	Hex Flange Nut, 5/8-18	42	756-1202	Double Pulley, 5.0
15	712-0431	Flange Lock Nut, 3/8-16	43	710-1830	Self-tapping Screw, 1/4-20 x 4.0
16	712-3004A	Flange Lock Nut, 5/16-18	44	746-0970	Brake Cable, 5.05
17	712-3006	Hex Nut, 1/4-20	45	783-1291	Idler Bracket
18	712-3027	Hex Flange Lock Nut, 1/4-20	46	711-1534	Pin, 3/8-16, 3/8 x 3.27
19	714-0470	Cotter Pin, 1/8 x 1.25	47	712-3087	Wing Nut, 1/4-20
20	716-3020	Internal Snap Ring	48	710-0599	Self-tapping Screw, 1/4-20 x .5
21	717-1553B	Deck Adjustment Gear	49	710-0134	Carriage Screw, , 1/4-20 x .62
22	726-0233	Push Nut, .25 x .5	50	731-2363	Mulch Plug
23	731-1032B	Side Discharge Chute Assembly	51	783-1146A	Deck Skirt
24	731-2486A	Belt Cover	52	710-0136	Hex Cap Screw, 1/4-20 x 1.75
25	732-0306	Compression Spring, .406 x .531 x 1.75	53	711-04069	Grass catcher Pin
26	732-0470A	Extension Spring, .50 x 4.74			

IMPORTANT: For a proper working machine, use Factory Approved Parts. **V-belts** are designed to engage and disengage safely. A substitute (non OEM) V-belt can be dangerous by not disengaging completely.

NOTE: Tractor features vary by model. *NOT all parts listed above and pictured on the previous page are standard equipment.*

Models 607, 608 & 609

REF. NO.	PART NO.	DESCRIPTION	REF. NO.	PART NO.	DESCRIPTION
1	711-04069	Grass Catcher Pin, 1/4-20	28	710-0578	Screw, 1/4-20 x 1.5
2	17982	Spindle Reinforcement Plate	29	734-0973	Deck Wheel, 5 x 1.38
3	618-0240A	Spindle Assembly, 5.0 Dia.	30	731-1636	Mulch Plug
	756-1187	Pulley Only	31	736-0119	Lock Washer, 5/16
4	618-0241	Double Pulley Spindle Assembly	32	736-0270	Bell Washer, .265 x .75 x .062
	756-0603	Double Pulley Only	33	738-0347	Shoulder Spacer, .625 x 1.16
5	683-0254	Deck Adjustment Bracket Assembly	34	738-0373	Shoulder Screw
6	683-0199C	46-inch Deck Shell	35	742-0611	Three-in-one Blade, Star Center, 16.28"
	683-04125	46-inch Deck Shell (with front guage wheel brackets)	36	742-0612	Three-in-one Blade, Star Center, 14.88"
7	710-0167	Carriage Screw, 1/4-20 x .50	37	747-1116	Deck Release Pin
8	710-0344	Hex Cap Screw, 3/8-16 x 1.5	38	754-0349	Deck Belt, Poly
9	710-0501	Hex Cap Screw, 1/4-20 x 2.0	39	738-3056	Shoulder Screw, 1/2-2.5
10	710-0514	Hex Cap Screw, 3/8-16 x 1.0	40	756-0627B	Idler Pulley, 3.5
11	710-0528	Hex Cap Screw, 5/8-18 x 1.25	41	734-3058B	Deck Wheel, 5.0
12	710-0599	Self-tapping Screw, 1/4-20 x .5	42	783-0139A	Idler Bracket
13	710-0650	Self-tapping Screw, 15/16-18 x .875	43	783-0141	Center Deck Skirt
14	710-0703	Hex Screw, 1/4-20 x .75	44	783-0142	RH Deck Skirt
15	710-0751	Hex Cap Screw, 1/4-20 x .62	45	783-0747	LH Belt Cover
16	710-1260A	Self-tapping Screw, 5/16-18 x .75	46	783-0805C	RH Belt Cover
17	712-0271	Hex Sems Nut, 1/4-20	47	712-3006	Hex Nut, 1/4-20
18	712-0417A	Hex Flange Nut, 5/8-18	48	712-3087	Wing Nut, 1/4-20
19	712-0431	Flange Lock Nut, 3/8-16	49	712-3004A	Hex Nut, 5/16-18
20	712-3006	Hex Nut, 1/4-20	50	746-1107	Bracket Cable, 12"
21	712-3027	Hex Flange Lock Nut, 1/4-20	51	750-0807	Spacer, .385 x .625 x .70
22	714-0470	Cotter Pin, 1/8 x 1.25	52	710-0805	Hex Cap Screw, 5/16-18 x 1.5
23	717-1553B	Deck Adjustment Gear	53	17116	Deck Brake Assembly
24	726-0233	Push Nut, .25 x .5	54	732-0429A	Extension Spring, .5 x 3.97
25	731-1032B	Side Discharge Chute Assembly	55	748-0324	Shoulder Spacer
26	732-0306	Compression Spring, .406 x .531 x 1.75	56	736-0416	Flat Washer, .320 x 3.0 x .125
27	732-0594A	Extension Spring, .91 x 7.3	57	738-0572	Shoulder Screw, .374 x 1.16
			58	736-0173	Flat Washer, .28 x .74 x .063

IMPORTANT: For a proper working machine, use Factory Approved Parts. **V-belts** are designed to engage and disengage safely. A substitute (non OEM) V-belt can be dangerous by not disengaging completely.

NOTE: Tractor features vary by model. *NOT* all parts listed above and pictured on the previous page are standard equipment.