

Illustrated Parts List

GARDEN TRACTORS MODELS

820 THRU 829

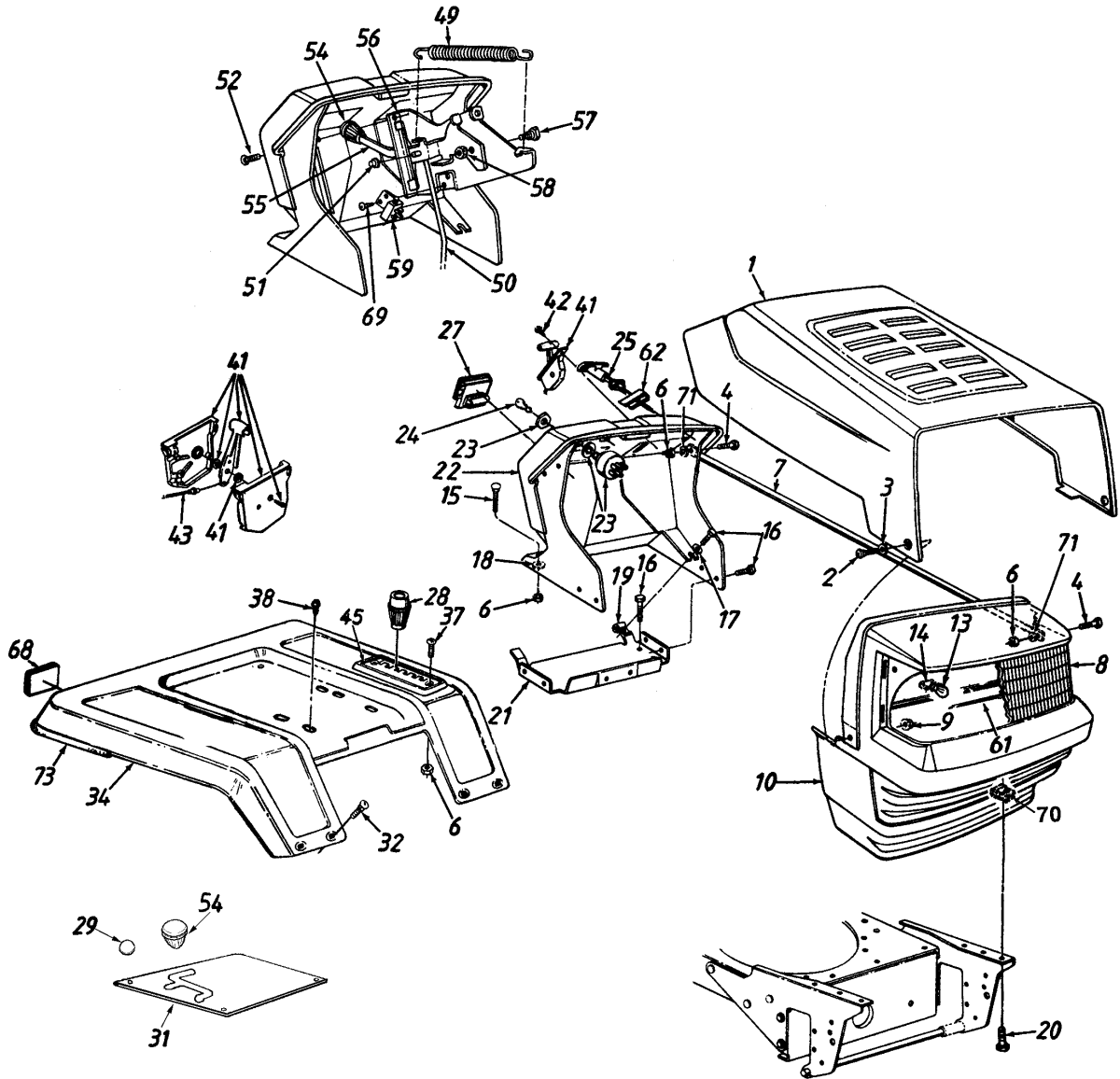
840 THRU 849



1999

Models 820 and 840

(Style 0)



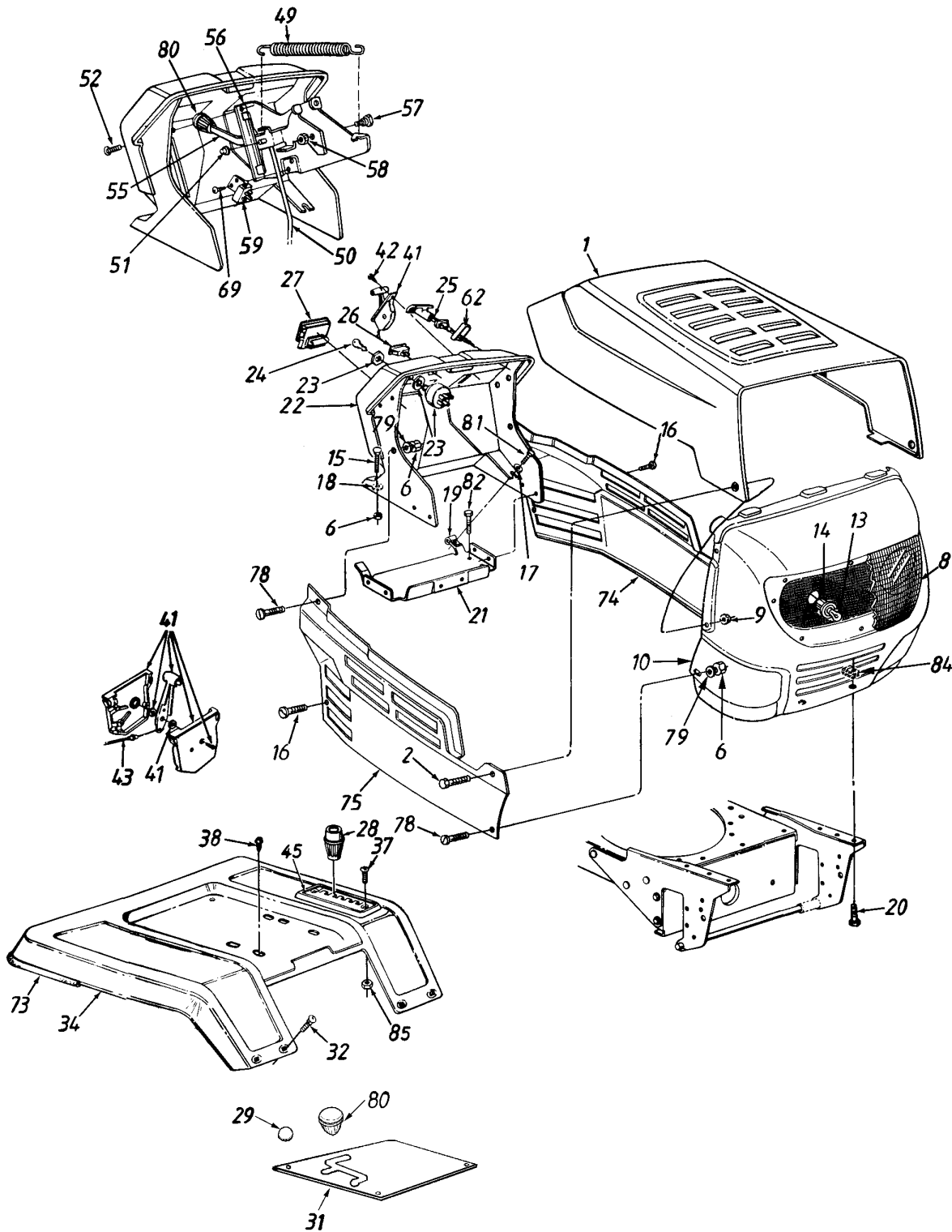
Models 820 and 840

(Style 0)

REF. NO.	PART NO.	DESCRIPTION	REF. NO.	PART NO.	DESCRIPTION
1	783-0250	Hood	32	710-0167	Carriage Bolt 1/4-20 x .5" Lg.
2	738-0952	Shld. Bolt .375" Dia. x .125" Lg.	34	17426A	Fender
3	736-0175	Spr. Wash. .265" I.D. x .562" OD	37	710-0924	Truss Mach. Scr. #1/4-20 x .75" Lg.
4	710-0751	Hex Bolt 1/4-20 x .62" Lg.*	38	710-0726	Hex Wash. Hd. AB-Tap Scr. 5/16 x .75"
6	712-0271	Hex Sems Nut 1/4-20 Thd.	41	831-0823A	Throttle Box Ass'y.
7	749-0813A	Grille Support Rod	42	710-0779A	Truss Mach. AB-Tap Scr. #10 x .5"
8	731-1099A	Headlight Lens w/o Logo	43	746-0634	Throttle Control Wire 35" Lg.
	731-1767	Headlight Lens w/Logo		746-0630	Throttle Control Wire 39" Lg.
9	712-3027	Flange L-Nut 1/4-20 Thd.	45	731-1360	6-Speed Selector Plate (820)
10	731-1097D	Grille		731-1774	7-Speed Selector Plate (840)
13	725-0963	Lamp	49	732-0626	Ext. Spring 5.06" Lg.
14	725-1649	Socket	50	747-0750A	Deck Control Rod
15	710-0932	Carriage Bolt 1/4-20 x 1.0" Lg.	51	726-0106	Speed Nut 1/4" Rod
16	710-0776A	Hex AB-Tap Scr. 1/4 x .62" Lg.	52	710-1017	Torx Mach. Scr. 1/4 x .62" Lg.
17	736-0173	Fl-Wash. .281" I.D. x .73" O.D.	54	720-0232	PTO Knob
18	726-0233	Bolt Retainer 1/4" I.D.	55	17500	PTO Lever
19	712-0185	Speed Nut 1/4-20 Thd.	56	783-0461A	PTO Bracket
20	710-3008	Hex Bolt 5/16-18 x .75" Lg.	57	738-0155	Shld. Bolt .437" Dia. x .162"
21	783-0347A	Battery Plate	58	712-3009	Hex L-Nut 5/16-18 Thd.
22	731-1678	Dash—w/Ammeter & Light Switch Holes	59	725-1657A	Safety Switch
	731-1679	Dash—w/o Ammeter & Light Switch	61	777-9206	Grille Reflector Label
23	725-1717	Ignition Switch	62	17782	Retainer Clip
24	725-0201	Ignition Key	68	730-3000	Reflector (Optional)
25	746-0614A	Choke Control	69	710-1066	Hex Wash. Hd. B-Tap Scr. #10 x .38"
27	725-0925	Ammeter (Optional)	70	726-0211	U-Nut 5/16-18 Thd.
28	720-0218	Shift Knob	71	736-0342	Fl-Wash. .28" I.D. x .75" O.D.
29	720-0166	Knob	73	731-0511-81	Trim Strip 81" Lg.
31	783-0348	Shift Cover			

* For faster service obtain standard nuts, bolts and washers locally. If these items cannot be obtained locally, order by part number shown on parts list

Models 823 and 843 (Style 3)



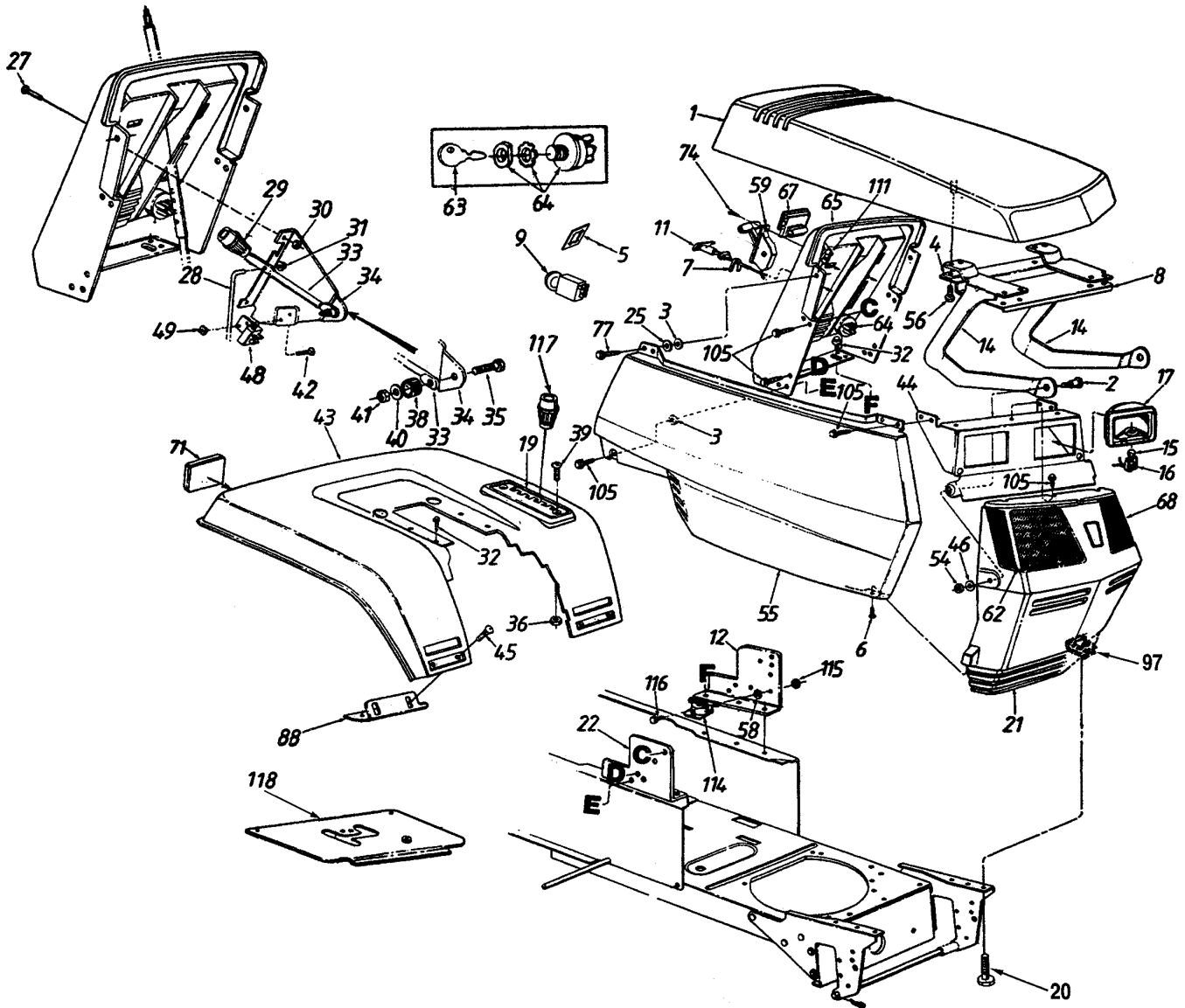
Models 823 and 843

(Style 3)

REF. NO.	PART NO.	DESCRIPTION	REF. NO.	PART NO.	DESCRIPTION
1	783-0250	Hood	41	831-0823A	Throttle Box Ass'y.
2	738-0952	Shld. Bolt .375" Dia. x .125" Lg.	42	710-0779A	Truss Mach. AB-Tap Scr. #10 x .5" Lg.
6	712-0287	Hex Nut 1/4-20 Thd.*	43	746-0634	Throttle Control Wire 35" Lg.
8	731-1503A	Headlight Lens		746-0630	Throttle Control Wire 39" Lg.
9	712-3027	Flange L-Nut 1/4-20 Thd.	45	731-1360	6-Speed Selector Plate (823)
10	783-0156A	Grille		731-1774	7-Speed Selector Plate (843)
13	725-0963	Lamp	49	732-0626	Ext. Spring 5.06" Lg.
14	725-1651	Socket	50	747-0750A	Deck Control Rod
15	710-0932	Carriage Bolt 1/4-20 x 1.0" Lg.	51	726-0106	Speed Nut 1/4" Rod
16	710-0599	Hx Wash. Hd. TT-Tap Scr. 1/4-20 x.5" L	52	710-1017	Torx Mach. Scr. 1/4 x .62" Lg.
17	736-0173	Fl-Wash. .281" I.D. x .73" O.D.	55	17500	PTO Lever
18	726-0233	Bolt Retainer 1/4" I.D.	56	783-0461A	PTO Bracket
19	712-0185	Speed Nut 1/4-20 Thd.	57	738-0155	Shld. Bolt .437" Dia. x .162"
20	710-3008	Hex Bolt 5/16-18 x .75" Lg.	58	712-3009	Hex L-Nut 5/16-18 Thd.
21	783-0347A	Support Brkt.	59	725-1657A	Safety Switch
22	731-1678	Dash w/Amp & Light Holes	62	17782	Retainer Clip
	731-1679	Dash w/o Amp & Light Holes	69	710-1066	Hx Wash. Hd. B-Tap Scr. #10 x .38" L.
23	725-1717	Ignition Switch	73	731-0511-81	Trim Strip 81" Lg.
24	725-0201	Ignition Key	74	783-0151	Side Panel—L.H.
25	746-0614A	Choke Control	75	783-0150A	Side Panel—R.H.
27	725-0925	Ammeter (Optional)	78	710-0286	Pan Hd. Mach. Scr. 1/4-20 x .5" Lg.
28	720-0218	Shift Knob	79	736-0270	Bell-Wash. 1/4" I.D.
29	720-0166	Knob	80	720-0232	Small Shift Knob
31	783-0348	Shift Cover	81	710-0642	Hex TT-Tap Scr. 1/4-20 x .75" Lg.
32	710-0167	Carriage Bolt 1/4-20 x .5" Lg.	82	710-0776A	Hex AB-Tap Scr. 1/4 x .62" Lg.
34	17426A	Fender	84	726-0211	U-Nut 5/16-18 Thd.
37	710-0924	Truss Mach. Scr. #1/4-20 x .75" Lg.	85	712-0271	Hex Sems Nut 1/4-20 Thd.
38	710-0726	Hx Wash Hd. AB-Tap Scr. 5/16 x .75" L			

Models 824 and 844

(Style 4)



Models 824 and 844

(Style 4)

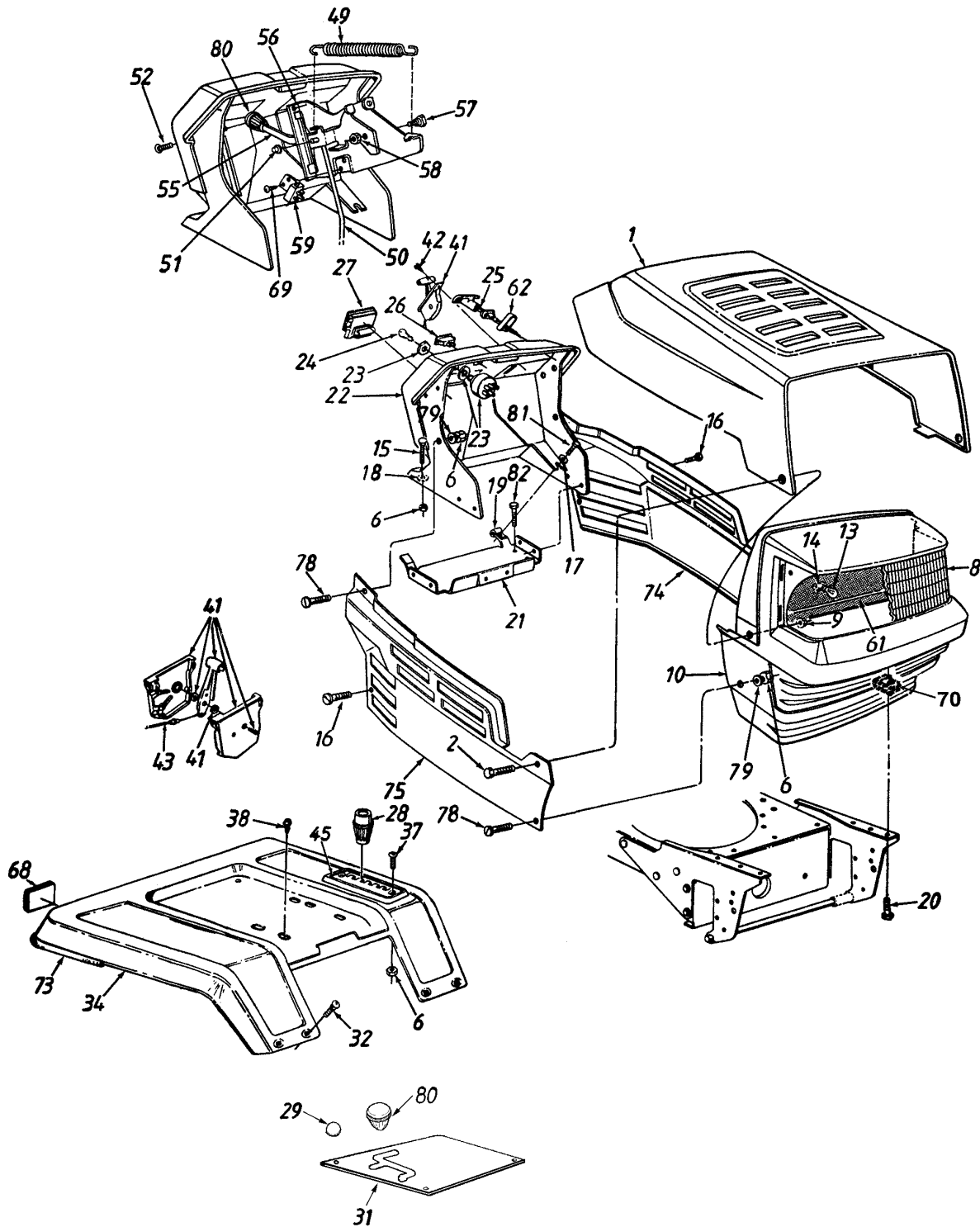
REF. NO.	PART NO.	DESCRIPTION	REF. NO.	PART NO.	DESCRIPTION
1	731-1433	Hood Ass'y.	42	710-0224	Truss Mach. Scr. #10-24 x .5"Lg. †
2	738-0141	Shld. Bolt .437" Dia. x .35"	43	783-0351	Rear Fender
3	726-0233	Bolt Retainer 1/4" I.D.	44	17223	Light Bracket
4	17762	Hood Reinforcement Spacer	45	710-0167	Carriage Bolt 1/4-20 x .50" Lg.*
5	783-0462	Switch ††	46	736-0278	Fl-Wash. .328" I.D. x .68" O.D.
6	710-0351	Truss Mach. B-Tap Scr.#10 x .5" Lg.	48	725-1657A	Safety Switch †
7	17782	Retainer Clip	49	712-0121	Hex Nut #10-24 Thd. †
8	783-0121	Hood Reinforcement	54	712-0158	Hex Cent. L-Nut 5/16-18 Thd.
9	725-1716	PTO Switch ††	55	731-1434	Side Cover-R.H.
11	746-0614A	Choke Control		731-1435	Side Cover-L.H. (Not Shown)
12	17294B	Dash Support Brkt.-L.H.	56	710-1005	Hx Wash. Hd. B-Tap Scr.1/4 x .5" Lg.
14	783-0123	Hood Hinge	58	736-0222	Ext. L-Wash. 1/4" I.D.
15	725-0963	Lamp	59	831-0823A	Throttle Control Box Ass'y.
16	725-1650	Twist Lock-Lamp Socket	62	731-0948	Lens-R.H.
17	731-0705	Headlight Housing	63	725-0201	Ignition Key
19	731-1774	7-Speed Selector Plate	64	725-1717	Ignition Switch
21	731-1442A	Grille	65	731-0962	Dash Panel †
22	17293B	Dash Support Bracket-R.H.		731-1772	Dash Panel ††
23	736-0119	L-Wash. 5/16" I.D.*	67	725-0925	Ammeter
24	712-3010	Hex Nut 5/16-18 Thd. (Gr. 5)	68	731-0949	Lens-L.H.
25	736-0176	Fl-Wash. 1/4" I.D. x .93" O.D.	69	725-1347	Ignition Switch Cap
27	710-0286	Truss Mach. Scr. 1/4-20 x .5" Lg. †	71	730-3000	Reflector (Optional)
28	747-0708A	Deck Control Rod †	73	725-1346	Ignition Switch Nut
29	720-0232	Knob-Blade Clutch †	74	710-0779A	Truss Mach. AB-Tap Scr. #10 x .5" Lg.
30	712-0271	Hex Sems Nut 1/4-20 Thd.* †	75	710-0936	Truss Hd. AB-Tap Scr. #6 x .62" Lg.
31	726-0106	Push Cap †	77	710-0642	Hex Wash. Hd. Tap Scr. 1/4 x .75" Lg.
32	710-0726	Hex Wash. Hd. AB-Tap Scr.5/16 x .75"	88	17406	Fender Bracket-R.H.
33	747-0513A	PTO Lever †		17407	Fender Bracket-L.H.
34	783-0460	Deck Clutch Cont. Brkt. †	97	726-0211	U-Nut 5/16-18 Thd.
35	710-0106	Hex Bolt 1/4-20 x 1.25" Lg.* †	105	710-0599	Hex Tap Scr. 1/4-20 x .5" Lg.
36	712-0271	Hex Sems Nut 1/4-20 Thd.	111	712-0185	Speed Nut 1/4-20 Thd.
37	736-0329	L-Wash. 1/4" I.D.*	114	725-1426	Solenoid
38	735-0126	Rubber Washer †	115	712-0271	Hex Sems Nut 1/4-20 Thd.
39	710-0924	Truss Mach. Scr. 1/4-20 x .75"Lg.	116	710-3013	Hex Bolt 1/4-20 x .5" Lg.*
40	736-0173	Fl-Wash. .281" I.D. x .73" †	117	720-0218	Shift Knob
41	712-0324	Hex L-Nut 1/4-20 Thd. †	118	783-0430	Shift Cover

† Used with Manual PTO

†† Used with Electric PTO

Models 825 and 845

(Style 5)

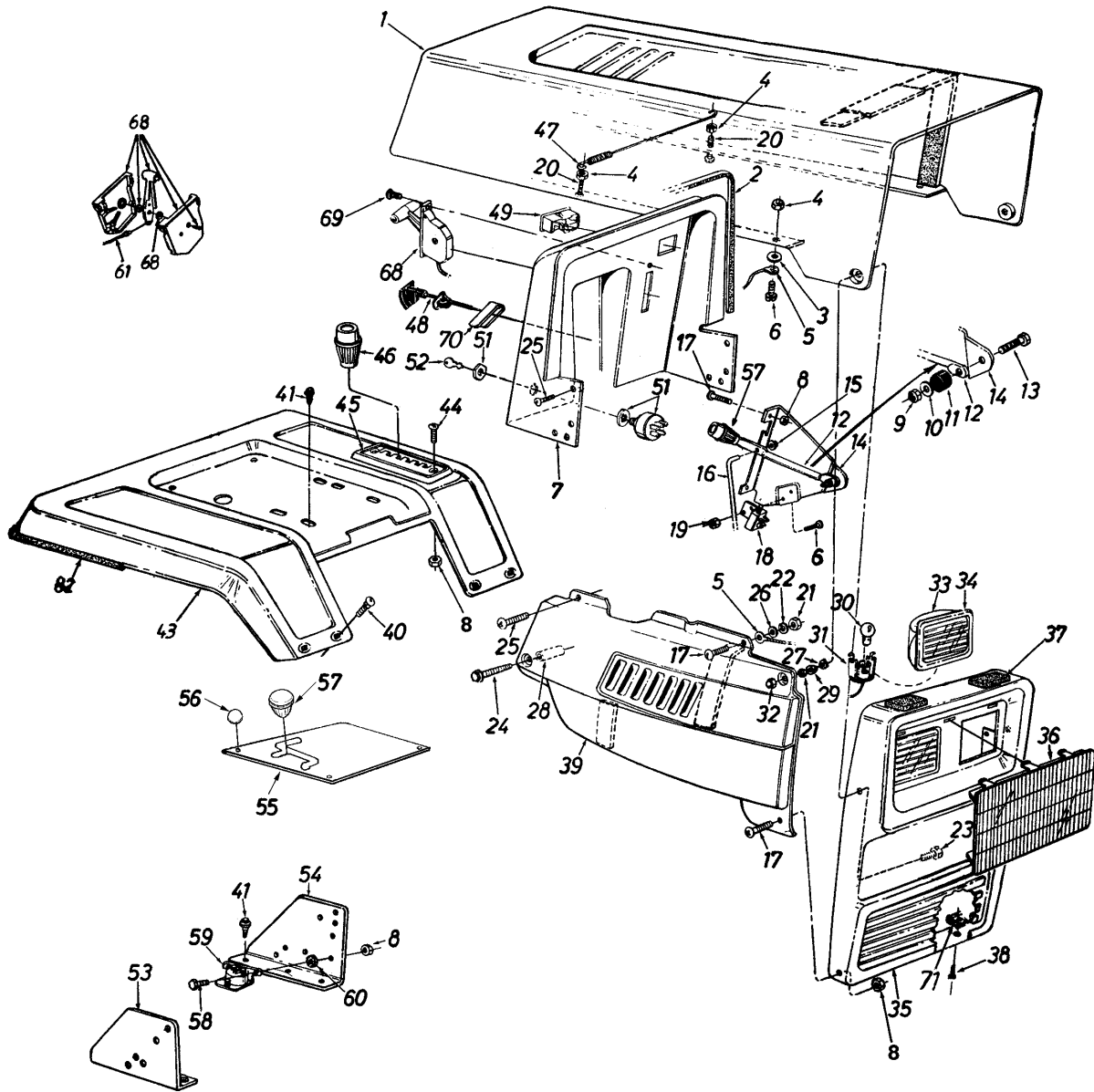


Models 825 and 845

(Style 5)

REF. NO.	PART NO.	DESCRIPTION	REF. NO.	PART NO.	DESCRIPTION
1	783-0250	Hood	41	831-0823A	Throttle Box Ass'y.
2	738-0952	Shld. Bolt .375" Dia. x .125" Lg.	42	710-0779A	Truss Mach. AB-Tap Scr. #10 x .5" Lg.
6	712-0271	Hex Sems Nut 1/4-20 Thd.	43	746-0634	Throttle Control Wire 35" Lg.
8	731-1767	Headlight Lens w/Logo		746-0630	Throttle Control Wire 39" Lg.
	731-1099A	Headlight Lens w/o Logo	45	731-1360	6-Speed Selector Plate (825)
9	712-3027	Flange L-Nut 1/4-20 Thd.		731-1774	7-Speed Selector Plate (845)
10	731-1097D	Grille	49	732-0626	Ext. Spring 5.06" Lg.
13	725-0963	Lamp	50	747-0750A	Deck Control Rod
14	725-1649	Socket	51	726-0106	Speed Nut 1/4" Rod
15	710-0932	Carriage Bolt 1/4-20 x 1.0" Lg.	52	710-1017	Torx Mach. Scr. 1/4 x .62" Lg.
16	710-0599	Hx Wash Hd. TT-Tap Scr. 1/4-20 x .5" L	55	17500	PTO Lever
17	736-0173	Fl-Wash. .281" I.D. x .73" O.D.	56	783-0461A	PTO Bracket
18	726-0233	Bolt Retainer 1/4" I.D.	57	738-0155	Shld. Bolt .437" Dia. x .162"
19	712-0185	Speed Nut 1/4-20 Thd.	58	712-3009	Hex L-Nut 5/16-18 Thd.
20	710-3008	Hex Bolt 5/16-18 x .75" Lg.	59	725-1657A	Safety Switch
21	783-0347A	Battery Plate	61	777-9206	Grille Reflector Label
22	731-1678	Dash—w/Ammeter & Light Switch Holes	62	17782	Retainer Clip
	731-1679	Dash—w/o Ammeter & Light Switch Holes	68	730-3000	Reflector (Optional)
23	725-1717	Ignition Switch	69	710-1066	Hx Wash. Hd. B-Tap Scr. #10 x .38" Lg.
24	725-0201	Ignition Key	70	726-0211	U-Nut 5/16-18 Thd.
25	746-0614A	Choke Control	73	731-0511-81	Trim Strip 81" Lg.
27	725-0925	Ammeter (Optional)	74	783-0151	Side Panel—L.H.
28	720-0218	Shift Knob	75	783-0150A	Side Panel—R.H.
29	720-0166	Knob	78	710-0286	Pan Hd. Mach. Scr. 1/4-20 x .5" Lg.
31	783-0348	Shift Cover	79	736-0270	Bell-Wash. 1/4" I.D.
32	710-0167	Carriage Bolt 1/4-20 x .5" Lg.	80	720-0232	Small Shift Knob
34	17426A	Fender	81	710-0642	Hex TT-Tap Scr. 1/4-20 x .75" Lg.
37	710-0924	Truss Mach. Scr. #1/4-20 x .75" Lg.	82	710-0776A	Hex AB-Tap Scr. 1/4 x .62" Lg.
38	710-0726	Hx Wash Hd. AB-Tap Scr. 5/16 x .75" L			

Models 82A and 84A (Style A)



Models 82A and 84A

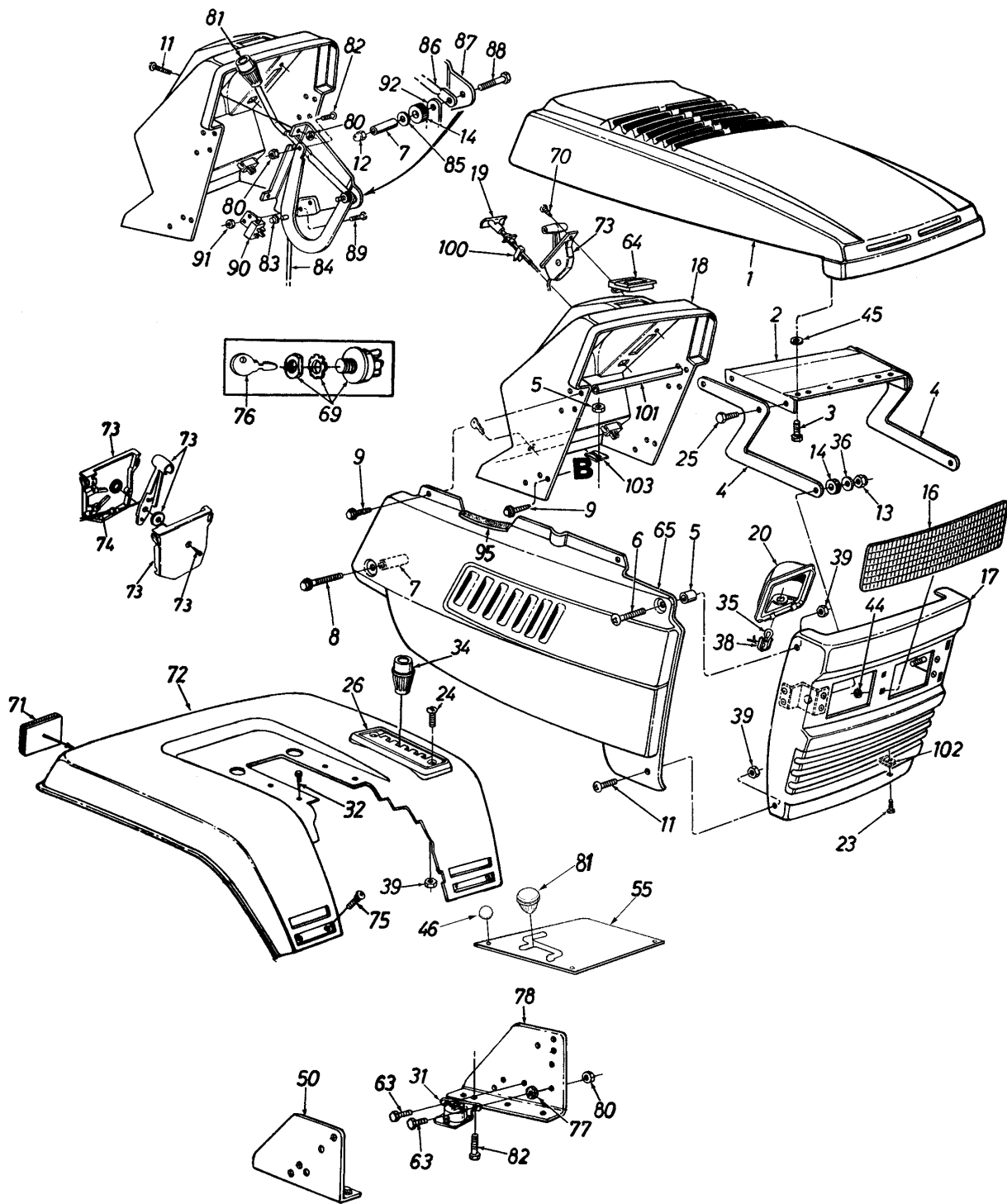
(Style A)

REF. NO.	PART NO.	DESCRIPTION	REF. NO.	PART NO.	DESCRIPTION
1	16787B	Hood	35	15806C	Grille
2	731-0511-31	Trim Strip 31" Lg.		16456C	Grille—Used w/Headlight Bezel
3	736-3067	FI-Wash. .188" I.D. x .41" O.D.	36	731-0967	Headlight Bezel†
4	712-0272	Hex Sems Nut #10-24 Thd.	37	722-0157	Foam Strip
5	727-0290A	Hood Stop	38	710-3008	Hex Bolt 5/16-18 x .75" Lg.
6	710-0473	Truss Mach. Scr. #10-24 x .5" Lg.	39	16725	Side Panel Ass'y.—R.H.
7	16550A	Dash Ass'y. w/AMP		17309B	Side Panel Ass'y.—L.H. (Not Shown)
	17998	Dash w/o AMP	40	710-0167	Carriage Bolt 1/4-20 x .5" Lg.
8	712-0271	Hex Sems Nut 1/4-20 Thd.	41	710-0726	Hex Wash. AB-Tap Scr. 5/16 x .75" Lg.
9	712-0324	Hex L-Nut 1/4-20 Thd.	42	731-0511-81	Trim Strip—81" Lg.
10	736-0173	FI-Wash. .281" I.D. x .73" O.D.	43	17426A	Fender
11	735-0126	Rubber Washer	44	710-0924	Truss Mach. Scr. 1/4-20 x .75" Lg.
12	747-0513	PTO Lever	45	731-1360	6-Speed Selector Plate (828)
13	710-0106	Hex Bolt 1/4-20 x 1.25" Lg.*		731-1774	7-Speed Selector Plate (848)
14	783-0371	Deck Clutch Control Brkt.	46	720-0218	Shift Knob
15	726-0106	Push Cap	47	732-0462	Hood Spring
16	747-0307	Deck Control Rod	48	746-0613A	Choke Control 46" Lg.
17	710-0286	Truss Mach. Scr. 1/4-20 x .5" Lg.	49	725-0925	Ammeter†
18	725-1657A	Safety Switch	51	725-1717	Ignition Switch
19	712-0272	Hex Sems Nut #10-24 Thd.	52	725-0201	Ignition Key
20	710-0749	Hex Bolt 10-24 x 1.0" Lg.	53	17293B	Dash Support Brkt.—R.H.
21	712-0287	Hex Nut 1/4-20 Thd.*	54	17294B	Dash Support Brkt.—L.H.
22	736-0329	L-Wash. 1/4" I.D.*	55	783-0348	Transmission Cover
23	710-0206	Hex Bolt 1/4-20 x .88" Lg.*	56	720-0166	Ball Knob
24	710-1026	Hex Wash. TT-Tap Scr. 1/4-20 x 1.75" Lg.	57	720-0232	Knob—Blade Clutch
25	710-0642	Hex TT-Tap Scr. 1/4-20 x .75" Lg.	58	710-3013	Hex Bolt 1/4-20 x .5" Lg.
26	736-0463	FI-Wash. .25" I.D. x .62"	59	725-1426	Solenoid
27	736-0413	Spr. Wash. .39" I.D. x .62"	60	736-0222	Ext. L-Wash. 1/4" I.D.
28	750-0768	Spacer .26" I.D. x .375"	61	746-0634	Throttle Wire 35" Lg.
29	738-0759	Shld. Spacer .375" Dia. x .125" Lg.		746-0630	Throttle Wire 39" Lg.
30	725-0963	Lamp	68	831-0823A	Throttle Control Box Ass'y.
31	725-1650	Socket	69	710-0779A	Truss Mach. AB-Tap Scr. #10 x .5" Lg.
32	712-0264	Acorn Nut 1/4-20 Thd.	70	17782	Retainer Clip
33	731-0705	Headlight Housing	71	726-0211	U-Nut 5/16-18 Thd.
34	731-0706	Headlight Lens†	82	731-0511-81	Trim Strip 81" Lg.

† Optional Parts

Models 829 and 849

(Style 9)

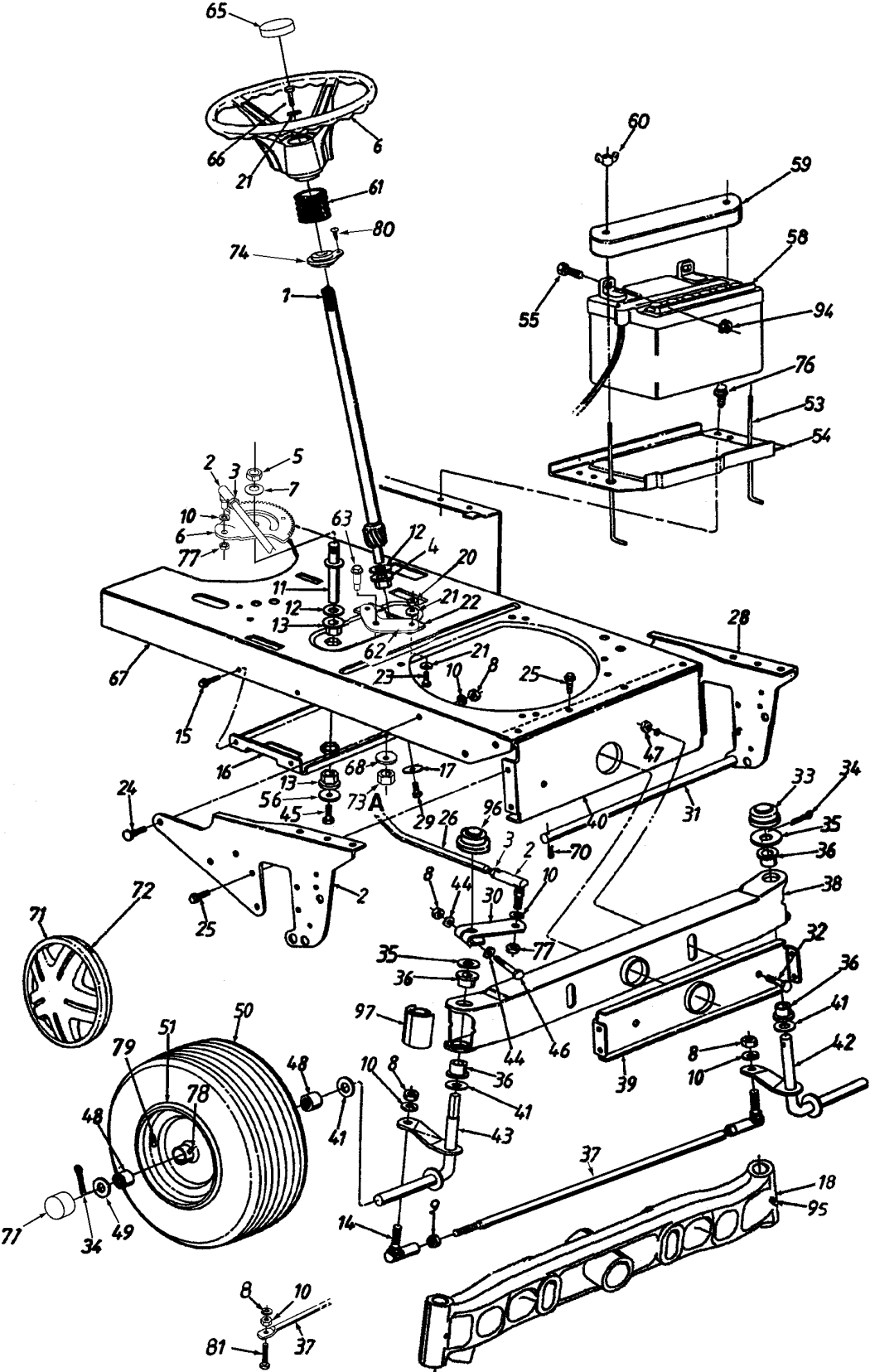


Models 829 and 849

(Style 9)

REF. NO.	PART NO.	DESCRIPTION	REF. NO.	PART NO.	DESCRIPTION
1	731-1491A	Hood (Red)	46	720-0166	Ball Knob
	731-1531A	Hood (Charcoal Gray)	50	17293B	Dash Support Brkt.—R.H.
	731-1497A	Hood (Oyster Gray)	55	783-0348	Transmission Cover
	731-1893A	Hood (Black)	63	710-3013	Hex Bolt 1/4-20 x .5" Lg.
2	16903A	Hood Plate	64	725-0925	Ammeter
3	710-1005	Hex Wash. Hd. Tap Scr. 1/4 x .5" Lg	65	16725	Side Panel Ass'y.—R.H.
4	783-0190	Hood Hinge		17309B	Side Panel Ass'y.—L.H.
5	750-0768	Spacer .34" I.D. x .437"	69	725-1717	Ignition Switch
6	710-0166	Truss Hd. Mach. Scr. 1/4-20 Thd.	70	710-0779A	Truss Mach. AB-Tap Scr. #10 x .5" Lg.
7	750-0583	Spacer .26" I.D. x .375"	71	730-3000	Reflector (Optional)
8	710-1026	Hex Wash. TT-Tap Scr. 1/4-20 x 1.75" Lg	72	783-0351	Rear Fender
9	710-0642	Hex T-Tap Scr. 1/4-20 x .75" Lg.	73	831-0823A	Throttle Control Box Ass'y.
11	710-0286	Truss Mach. Scr. 1/4-20 x .5" Lg.	74	746-0634	Throttle Control Wire 35" Lg.
12	712-0324	Hex Ins. L-Nut 1/4-20 Thd.		746-0630	Throttle Control Wire 39" Lg.
13	712-0429	Hex L-Nut 5/16-18 Thd.	75	710-0167	Carriage Bolt 1/4-20 x .5" Lg.
14	735-0126	Rubber Washer	76	725-0201	Key
16	731-1044	Headlight Lens	77	736-0222	Ext. L-Wash. 1/4" I.D.
17	17410A	Grille Ass'y.	78	17294B	Dash Support Brkt.—L.H.
18	731-1680	Dash Ass'y.	80	712-0271	Hex Sems Nut 1/4-20 Thd.
	731-1892	Dash Ass'y. w/Electric Clutch	81	720-0232	Knob
19	746-0614A	Choke Control	82	710-0751	Hex Bolt 1/4-20 x .62" Lg.
20	731-0705	Headlight Housing	83	726-0106	Push Nut
23	710-3008	Hex Bolt 5/16-18 x .75" Lg.	84	16985	PTO Rod
24	710-0924	Truss Mach. Scr. 1/4-20 x .75" Lg	85	736-0173	Fl-Wash. .281" I.D. x .73"
25	710-0599	Hex Wash. Hd. Scr. 1/4" x .5" Lg.	86	16984	PTO Lever
26	731-1360	6-Speed Selector Plate (829)	87	783-0460	Deck Clutch Control Brkt.
	731-1774	7-Speed Index Brkt. (849)	88	710-0102	Hex Bolt 1/4-20 x 2.5" Lg.
31	725-1426	Solenoid	89	710-0473	Truss Mach. Scr. #10-24 x .5" Lg.
32	710-0726	Hex Hd. Rolling Scr. 5/16-24 x .75" Lg.	90	725-1657A	Safety Switch
34	720-0218	Shift Knob	91	712-0121	Hex Nut #10-24 Thd.
35	725-0963	Lamp	92	16983	PTO Bracket
36	736-0242	Bell-Wash. .34" I.D. x .87"	95	731-0511-12	Trim Strip 12" Lg.
38	725-1650	Socket	100	17782	Retainer Clip
39	712-0271	Hex Sems Nut 1/4-20 Thd.	101	749-0814	Dash Support Tube
40	736-0329	L-Wash. 1/4" I.D.*	102	726-0211	U-Nut 5/16-18 Thd.
44	726-0201	Speed Nut 5/16" I.D.	103	783-0013	Dash Panel Fastening Tab
45	736-3010	Fl-Wash. .406" I.D.	104	777-8568A	Chome Label

Models 820 thru 829; 840 thru 849



Models 820 thru 829; 840 thru 849

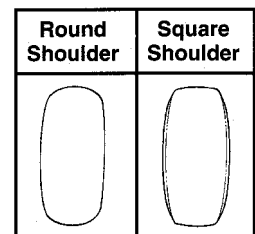
REF. NO.	PART NO.	DESCRIPTION	REF. NO.	PART NO.	DESCRIPTION
1	738-0963	Steering Shaft Ass'y.	45	710-0538	Hex L-Scr. 5/16-18 x .62" Lg.
2	723-0448A	Ball Joint 7/16-20 Thd.	46	710-1257	Hex Bolt 3/8-24 x 2.50" Lg.
3	712-0240	Hex Jam Nut 7/16-20 Thd.	47	712-0431	Hex L-Nut 3/8-16 Thd.*
4	741-0656	Hex Flange Brg.	48	741-0516	Flange Brg. .75" I.D.
5	712-0318	Hex Jam Nut 5/8-18 Thd.	49	736-0316	Fl-Wash. .71" I.D. x 1.5" O.D.
6	717-0943C	Steering Gear Segment	50	**	Wheel Ass'y. Comp. (See Chart)
7	736-0317	Bell-Wash. 5/8" I.D. x 1.25" O.D.		**	Tire Only (See Chart)
8	712-3054	Hex Nut 3/8-24 Thd.	51	**	Rim Only
9	712-0711	Hex Jam Nut 3/8-24 Thd.	53	711-0222A	Battery Hold Down Rod
10	736-0169	L-Wash. 3/8" I.D.*	54	783-0346A	Battery Plate
11	738-0768	Steering Gear Segment Shaft	55	710-3015	Hex Bolt 1/4-20 x .75" Lg. (Gr. 5)
12	736-0187	Fl-Wash. .64" I.D. x 1.24" O.D.	56	736-0343	Fl-Wash. .33" I.D. x 1.25" O.D.
13	748-0227A	Hex Flange Brg. .63" I.D.	58	725-1706	Battery
14	723-3018	Ball Joint Ass'y.	59	731-1683	Battery Cover
15	710-0599	Hx Wash. Hd. TT-Tap Scr. 1/4-20 x .5" Lg.	60	712-3087	Wing Nut Plastic 1/4-20 Thd.
16	16888A	Deck Idler Support Brkt.	61	731-0954	Steering Bellow (Style 0, 3, 5, 9)
17	748-0389	Cap		731-0559A	Steering Bellow (Style A)
18	719-0343A	Pivot Bar Ass'y. (Cast Iron)	62	783-0465	Steering Brace
19	736-0119	L-Wash. 5/16" I.D.*	63	738-0966	Shld. Bolt .5" Dia. x .925" Lg.
20	712-0123	Hex Nut 5/16-24 Thd.*	64	631-0027	Steering Wheel (4 Spoke)
21	736-0242	Bell-Wash. .345" I.D. x .88" O.D.		731-1687	Steering Wheel (3 Spoke)
22	16894	Bearing Retainer Brkt.	65	731-0220	Steering Cap (Round)
23	710-0157	Hex Bolt 5/16-24 x .75" Lg.		731-1459A	Steering Wheel Cap (Square)
24	710-0793	Ribbed Neck Bolt 3/8-24 x .8" Lg.	66	710-0643	Hex L-Bolt 5/16-18 x 1" Lg.
25	710-0604	Hex Wash. TT-Tap Scr. 5/16-18 x .62" Lg.	67	17359C	Lower Frame
26	747-1106	Steering Drag Link	68	736-0452	Bell-Wash. .396" I.D. x 1.14" O.D.
27	783-0338	Pivot Bar Side Plate—R.H.	70	714-0149B	Internal Cotter Pin
28	783-0337	Pivot Bar Side Plate—L.H.	71	734-0484A	Hub Cap
29	710-1309	Pan Hd. Scr. 5/16-18 x .62" Lg.		734-1615A	Hub Cap (Gray—Opt.)
30	983-0061A	Steering Arm Ass'y.		734-1614A	Hub Cap (Beige—Opt.)
31	738-0777A	Deck Connecting Rod		734-1788A	Hub Cap (Yellow—Opt.)
32	738-0527	Shld. Bolt .498" Dia. x 2.45" Lg.	72	727-0425A	Spring Clip
33	731-0484A	Cap	73	712-3017	Hex Nut 3/8-16 Thd.
34	714-0121	Cotter Pin 5/32" Dia.	74	741-0587	Flange Bearing (Style A)
35	736-0316	Flat Washer	76	710-0896	Hex Wash. B-Tap Scr. 1/4 x .62" Lg.
36	741-0660	Flange Brg. .757" I.D.††	77	712-0262	Hex Jam L-Nut 3/8-24 Thd.
37	747-0753	Tie Rod (Adjustable)	78	737-0280	Grease Fitting
	747-0861	Tie Rod (Non-Adjustable)	79	734-0255	Air Valve
38	683-0128A	Pivot Bar Ass'y. (Steel)	80	710-0837	Oval Hd. Cr.-Sunk Scr. #10 x 5/8" Lg. (Style A)
39	16889A	Pivot Bar Support Brkt.—Front	81	710-0459	Hex Bolt 3/8-24 x 1.5" Lg. (Gr. 5)
40	16890A	Pivot Bar Support Brkt.—Rear	94	712-0291	Hex L-Nut 1/4-20 Thd.
41	736-0188	Fl-Wash. .76" I.D. x 1.49" O.D.	95	737-3000	Grease Fitting†
42	638-0007A	Front Axle Ass'y.—L.H.	96	726-0341	Cap
43	638-0008A	Front Axle Ass'y.—R.H.	97	731-1649	End Cap††
44	736-0267	Flat Washer			

† Used with Ref. #18.

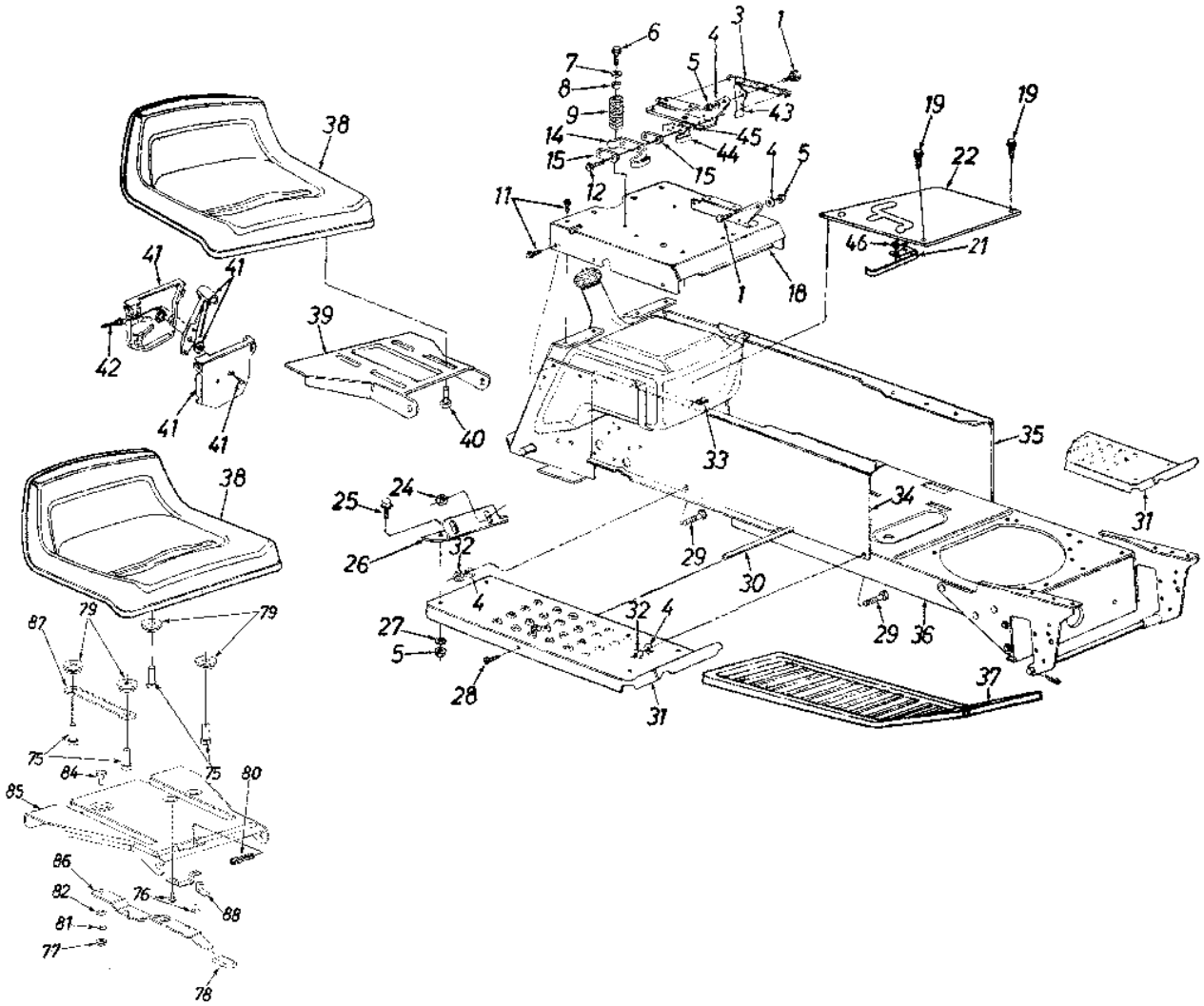
†† Used with Ref. #38.

**FRONT WHEEL CHART

DESCRIPTION	16" x 6.5"	
	ROUND SHOULDER	SQUARE SHOULDER
Wheel Ass'y. Comp.	734-1500A	634-0084
Tire Only	734-0275	734-1727
Rim Only	634-0067	634-0067
Bearing	741-0516	741-0516
Air Valve	734-0255	734-0255
Grease Fitting	737-0280	737-0280



Models 820 thru 829; 840 thru 849

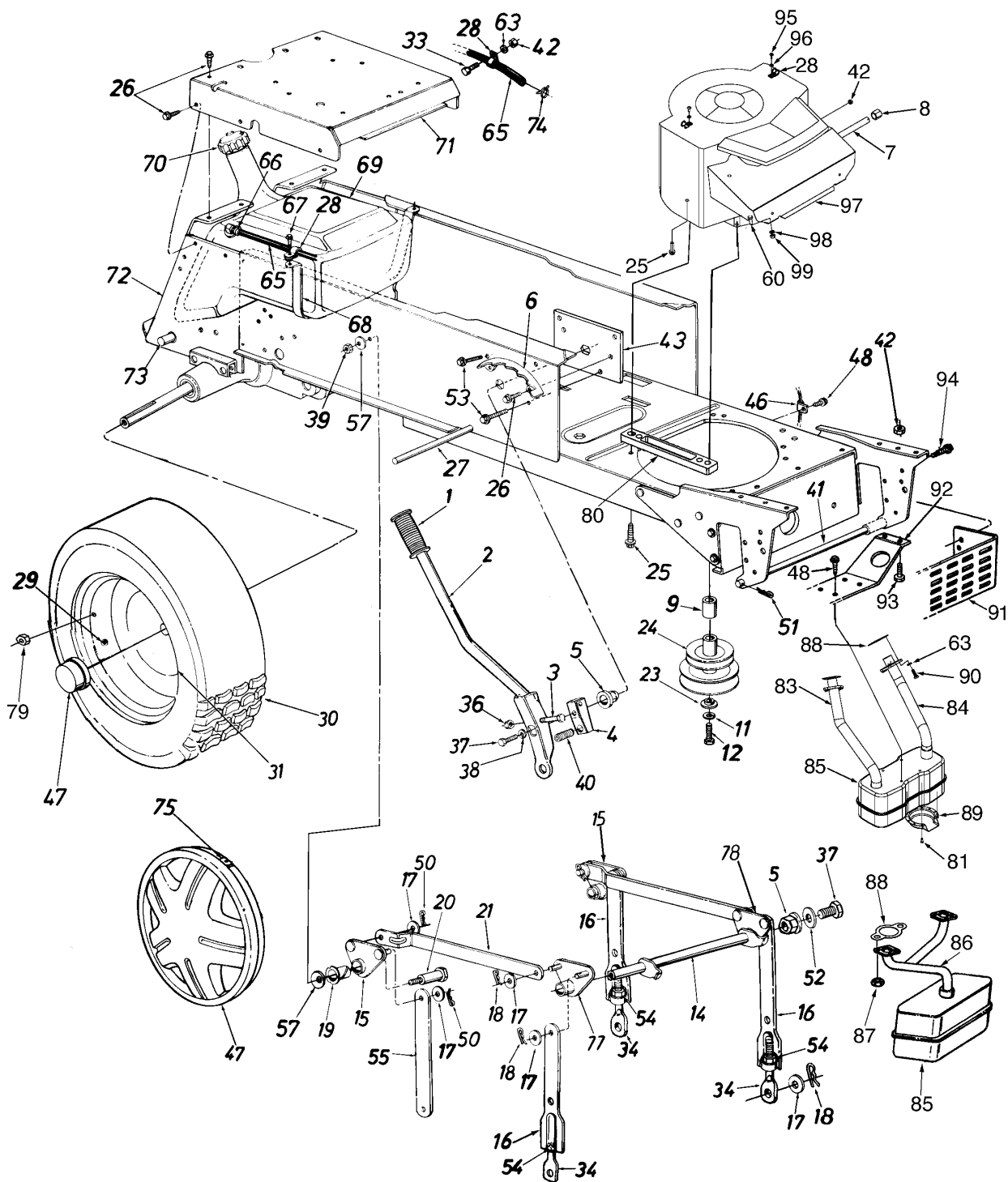


Models 820 thru 829; 840 thru 849

REF. NO.	PART NO.	DESCRIPTION	REF. NO.	PART NO.	DESCRIPTION
1	738-0296	Shld. Bolt .437" Dia. x .162"	34	17360C	R.H. Side Frame
3	732-0581B	Ext. Spring 5.31" Lg.	35	17361D	L.H. Side Frame
4	736-0119	L-Wash. 5/16" I.D.*	36	17359C	Lower Frame
5	712-3010	Hex Nut 5/16-18 Thd. (Gr. 5)	37	731-1052	Rubber Foot Pad (Optional)
6	710-0650	Hex Wash. Hd. Tap Scr. 5/16 -18 x .7" Lg.	38	757-0363A	Seat 8-7/8" High
7	736-0159	FI-Wash. .344" I.D.		757-0360A	Seat 10-5/8" High
8	722-0160	Bushing		757-0365	Seat 10-5/8" High (Yellow)
9	732-0588	Compression Spring		757-0350	Seat 14-1/4" High
11	710-0726	Hex Wash. Hd. AB-Tap Scr. 5/16 x .75"		757-0372	Seat 14-1/4" High (Yellow)
12	710-0227	Hx Wash. Hd. AB-Tap Scr. #8 x .5" Lg.	39	783-0039A	Seat Pivot Bracket
14	725-1303	Spring Switch	40	710-0870	Hex Tap Scr. 3/8-16 x .62" Lg.
15	726-0279	Insulator Plate	41	831-0823A	Throttle Control Box Ass'y.
18	683-0108A	Seat Plate	42	746-0634	Throttle Control Wire 35" Lg.
19	710-0351	Truss Mach. B-Tap Scr.		746-0630	Throttle Control Wire 39" Lg.
20	731-0405	Snap Bushing	43	17239A	Seat Lift Bracket
21	725-1713	Reverse Safety Switch	44	725-1439	Seat Spring Switch
22	783-0348	Shift Cover (Style 0,3,5,8,9,)	45	726-0278	Insulator Boss Plate
	783-0430	Shift Cover (Style 4,6)	46	726-0320	Insulator Nut Plate
24	712-0271	Hex Sems Nut 1/4-20	75	710-0514	Hex Bolt 3/8-16 x 1" Lg. **
25	710-3008	Hex Bolt 5/16-18 x .75" Lg.	76	710-1268	Hex Washer B-Tap Scr. #10-16 x .38" **
26	15846	Fender Bracket—R.H.	77	712-3027	Hex Flanged L-Nut 1/4-20 Thd. **
	15847	Fender Bracket—L.H.	78	720-0309	Seat Adjustable Grip **
	17406	(Style 4, 6, 9)	79	731-1924	Spacer **
	17407	Fender Bracket—L.H.(Style 4, 6, 9)	80	732-0499	Compression Spring 1.5" Lg. **
27	736-0242	Bell-Wash. .345" I.D. x .88" O.D.	81	736-0175	Spring Wash. .265" I.D. x .56" O.D. **
28	710-0323	Truss Mach. Scr. 5/16-18 x .75" Lg.	82	736-0204	FI-Wash. .344" I.D. x .62" O.D. **
29	710-1012	Rib Neck Bolt 5/16-24 x .75" Lg.	84	738-0137A	Shld. Bolt .34" x 1/4 -20 Thd. **
30	738-0435	Running Board Rod	85	783-0607	Seat Pivot Bracket **
31	16922	Running Board—R.H.	86	783-0609	Seat Lever **
	16921	Running Board—L.H.	87	783-0610	Seat Selector **
32	712-0123	Hex Nut 5/16-24 Thd.	88	783-0611	Seat Stop **
33	726-0139	Speed Nut #10Z			

** Optional

Models 820 thru 829; 840 thru 849



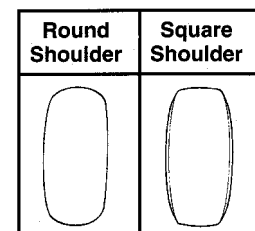
Models 820 thru 829; 840 thru 849

REF. NO.	PART NO.	DESCRIPTION	REF. NO.	PART NO.	DESCRIPTION
1	720-0233	Grip	48	710-0599	Hx Wash Hd. TT-Tap Scr. 1/4-20 x .5" L
2	97282	Lift Handle Ass'y.	50	714-0111	Cotter Pin .09 Dia. x 1.0" Lg.
3	710-0805	Hex Bolt 5/16-18 x 1.5" Lg.*	51	714-0149B	Int. Cotter Pin
4	748-0274A	Lift Shaft Drive	52	736-0231	Fl Wash. .34" I.D. x 1.12" O.D. x .125"
5	741-0225	Plastic Hex Brg. 5/8" I.D.	53	710-0600	Hx Wash Hd AB-Tap Scr 5/16-24 x .5" L
6	14231	Index Brkt. Deck Lift	54	712-0206	Hex Nut 1/2-13 Thd.
7	737-0164	Pipe Nipple 3/8-18 Npt.††	55	14399	Deck Link
	737-0286	Pipe Nipple 3/8-18 x 3.8" Lg.†	56	736-0264	Fl-Wash. .344" I.D.
8	737-0143	Pipe Cap 3/8-18 Npt.††	57	736-0219	Bell-Wash. .4" I.D. x 1.13" O.D.
	751-0572	Hex Soc. Pipe 1/4-18 x 7/8†	60	710-3008	Hex Bolt 5/16-18 x .75" Lg.*
9	750-0956	Spacer	63	736-0329	L-Wash. 1/4" I.D.*
11	736-0171	L-Wash. 7/16" I.D.	65	751-0535-46	Fuel Line 46" Lg.
12	710-1002	Hex Scr. 7/16-20 x 2" Lg. (Gr. 5)	66	726-0205	Hose Clamp
14	983-0101	Lift Shaft Ass'y.	67	710-0776A	Hex AB-Tap Scr. 1/4 x .62" Lg.
15	13895	Lift Pivot Brkt. Ass'y.	68	17424	Fuel Tank Strap
16	17303	Adj. Deck Lift Link	69	751-0566	Gas Tank
17	736-0192	Fl-Wash. 1/2" I.D. x 1.00" O.D. x .090"	70	751-0531B	Gas Gauge
18	714-0101	Hairpin Cotter	71	683-0108A	Seat Plate
19	741-0295	Nyliner 5/8" I.D. x .88" Lg.	72	783-0419	Hitch Plate
20	738-0445	Shld. Bolt 5/8" Dia. x .96" Lg. 3/8-16	73	738-0482	Hitch Rod
21	13790	Connecting Link	74	726-0272	Hose Clamp
23	736-0322	Flat Wash. .44" I.D. x 1.25" O.D. x .17"	75	727-0425A	Spring Clip (Optional)
24	756-0989	Engine Pulley	77	683-0098	Pivot Brkt. Ass'y.—R.H.
25	710-0502A	Hx Wash Hd. Scr. 3/8-16 x 1.25" Lg.††	78	683-0097	Pivot Brkt. Ass'y.—L.H.
	710-1007	Hex TT-Tap Scr. 3/8-16 x 1.5" Lg.†	79	712-3050	Lug Nut 7/16-14 Thd.
26	710-0726	Hex Thd. Rolling Scr. 5/16-18 x .75" Lg.	80	783-0279	Engine Mounting Spacer†
27	738-0435	Running Board Rod	81	710-0148	Hex Hd. F-Tap Scr. #8-32 x .38" Lg.††
28	726-0272	Clamp	82	710-0604	Hex TT-Tap Scr 5/16-18 x .62" Lg.
29	734-0255	Air Valve	83	751-0624	Exhaust Tube—R.H.††
30	**	Rear Wheel Ass'y. Comp.	84	751-0623	Exhaust Tube—L.H.††
	**	Tire Only	85	751-0616	Muffler††
31	**	Rear Wheel Rim Only		751-0617	Muffler†
32	736-0345	Flat Washer	86	751-0608	Exhaust Pipe†
33	710-0751	Hex Bolt 1/4-20 x .62" Lg.	87	712-3086	Flange Nut M8 x 1.25 Thd.†
34	711-0817	Eye Bolt Adj. Link 1/2-13 Thd.	88	721-0346	Exhaust Gasket††
36	712-0158	Hex Cent. L-Nut 5/16-18 Thd.		721-0377	Exhaust Gasket†
37	710-0237	Hex Bolt 5/16-24 x .62" Lg.*	89	751-0564	Muffler Deflector††
38	736-0119	L-Wash. 5/16" I.D.*	90	710-3015	Hex Bolt 1/4-20 x .75" Lg.††
39	712-0181	Hex Top L-Nut 3/8-16 Thd.	91	783-0023A	Heat Shield
40	732-0369	Compression Spring	92	17958	Muffler Mounting Brkt.
41	738-0777A	Deck Connecting Rod	93	710-0751	Hex Bolt 1/4-20 x .62" Lg.
42	712-0271	Hex Sems Nut 1/4-20 Thd.*	94	710-0604	Hex TT-Tap Scr. 5/16-18 x .62" Lg.
43	14170	Index Brkt. Reinforcement Plate	95	710-0351	Truss Mach. B-Tap Scr. #10 x .5" Lg.††
46	726-0273	Mounting Clamp	96	736-3067	Fl-Wash. .188" I.D. x .438" O.D.
47	731-0556	Hub Cap	97	783-0452	Front Heat Shield††
	734-1617A	Spoked Hub Cap (Gray—Opt.)	98	736-0119	L-Wash. 5/16" I.D.*††
	734-1616A	Spoked Hub Cap (Beige—Opt.)	99	712-3010	Hex Nut 5/16-18 Thd. (Gr. 5)††
	734-1789A	Spoked Hub Cap (Yellow—Opt.)			

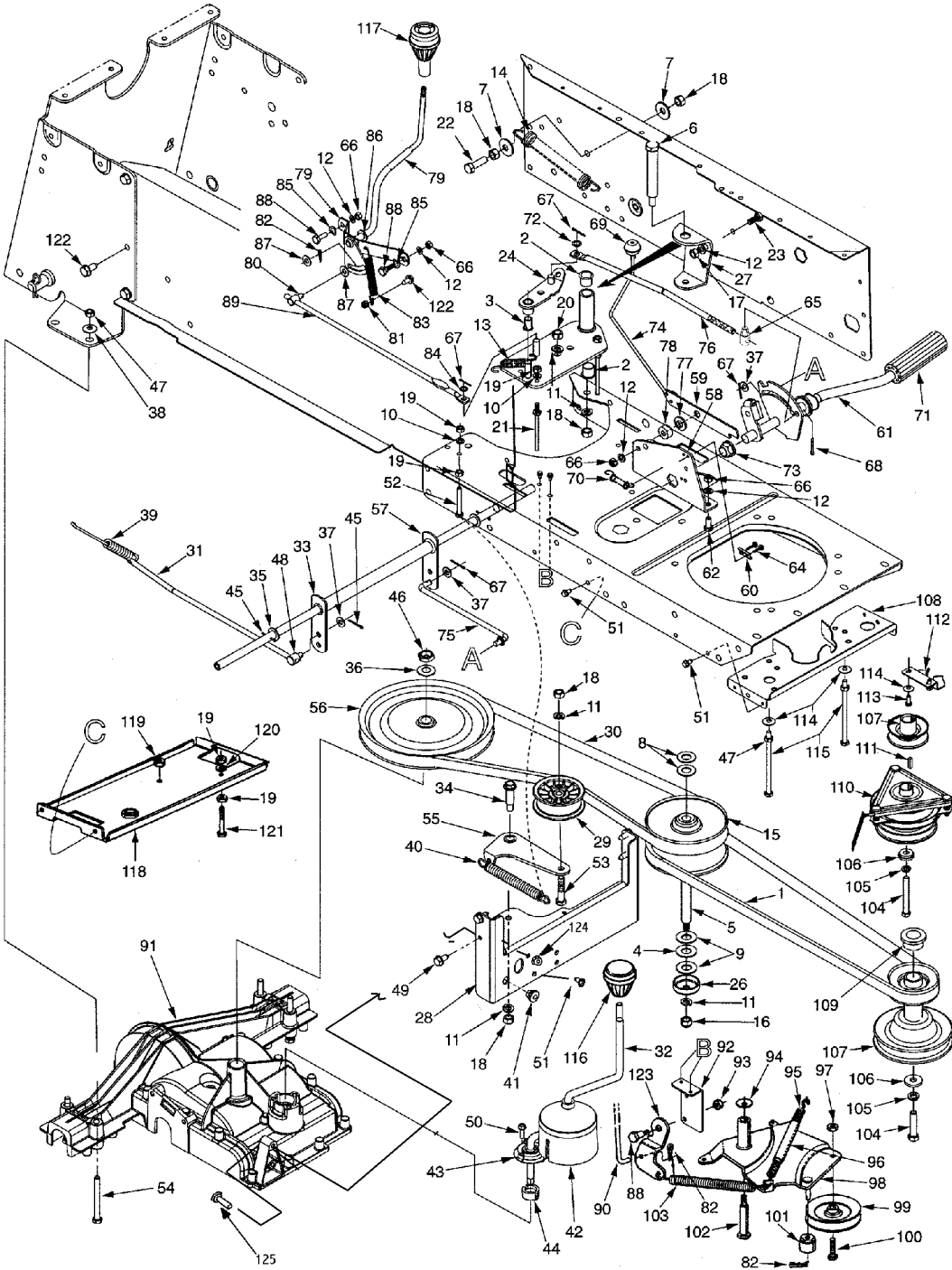
† Used on Kohler Engine Only.

†† Used on Briggs and Stratton Engines Only.

** REAR WHEEL CHART		
Description	23" x 9.5" Round Shoulder	23" x 9.5" Square Shoulder
Wheel Ass'y Comp.	634-0133	634-0132
Tire Only	734-0322	734-1728
Rim Only	634-3178	634-3178
Air Valve	734-0255	734-0255



Models 820 thru 829; 840 thru 849



Models 820 thru 829; 840 thru 849

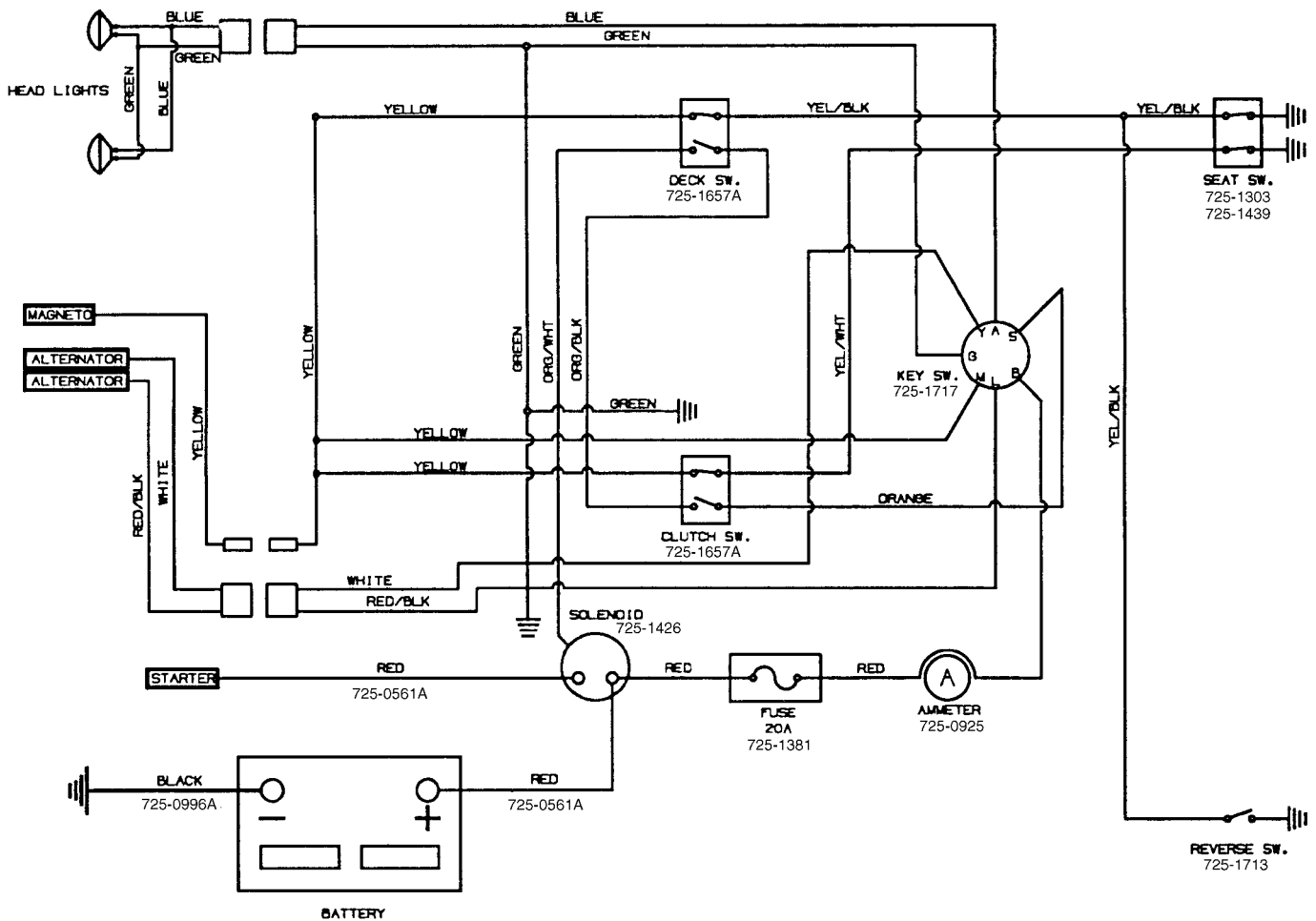
REF. NO.	PART NO.	DESCRIPTION	REF. NO.	PART NO.	DESCRIPTION
1	754-0280	"V"-Belt	56	656-0004	Trans. Pulley
2	741-0495	Flange Brg.	57	650-0006	Cross Brkt. Tube Ass'y.
3	741-0419	Flange Nylon Brg.	58	16924A	Clutch Ass'y. Mtg. Bracket
4	741-0405	Thrust Brg.	59	16980A	Brake Lockout Brkt.
5	738-0956	Shaft	60	17962	Switch Plate
6	738-0779	Shld. Bolt 3/8-24 Thd.	61	647-0021	Pedal Ass'y.
7	736-0452	Bell-Wash. .396" I.D. x 1.14" O.D.	62	710-3008	Hex Bolt 5/16-18 x .75" Lg.*
8	736-0414	FI-Wash. .56" I.D. x 1.12" O.D.	63	710-0528	Hx Bolt 5/16-18 x 1.25" Lg. (Gr. 5)
9	736-0355	FI-Wash. .5" I.D. x 1" O.D.	64	710-0589	Hex Hd. Tap Scr. #10-16 x .75" Lg.
10	736-0329	L-Wash. 1/4" I.D.*	65	711-0832	Ferrule
11	736-0169	L-Wash. 3/8" I.D.*	66	712-3010	Hex Nut 5/16-18 Thd.
12	736-0119	L-Wash. 5/16" I.D.*	67	714-0111	Cotter Pin 1" Lg.
13	732-0568	Ext. Spring 2.54" Lg.	68	714-0115	Cotter Pin 1/8" Dia. x 1" Lg.
14	732-0459	Ext. Spring 6.96" Lg.	69	720-0166	Ball Knob
15	717-0800A	Variable Speed Pulley	70	732-0395	Ext. Spring 2.51" Lg.
16	712-3061	Hex L-Nut 3/8-24 Thd.	71	735-0196	Foot Pad
17	712-3057	Hex Nut 5/16-24 Thd. (Gr. 5)	72	736-0117	FI-Wash. 3/8" I.D. x .62" O.D.
18	712-3017	Hex Nut 3/8-16 Thd. (Gr. 5)	73	741-0225	Hex Flange Bearing
19	712-3006	Hex Nut 1/4-20 Thd. (Gr. 5)	74	747-0644	Pedal Lock Rod
20	712-0241	Hex Nut 3/8-24 Thd.	75	747-0724A	Brake Link Rod
21	711-1000	Belt Keeper	76	747-0726	Speed Control Link
22	710-3005	Hex Bolt 3/8-16 x 1.25" Lg.	77	748-0234	Shld. Spacer
23	710-0157	Hex Bolt 5/16-24 x .75" Lg. (Gr. 5)	78	750-0214	Spacer .34" I.D. x .87" O.D.
24	683-0115	Variable Speed Torque Brkt. Ass'y.	79	647-0011	Speed Selector Lever Ass'y.
25	683-0114	Variable Speed Brkt.	80	711-0723A	Ferrule
26	17485	Retainer Cup	81	712-0429	Hex L-Nut 5/16-18 Thd.
27	17180	Support Brkt.	82	714-0104	Hairpin Clip
28	783-0402A	Trans. Torque Brkt.	83	732-0429A	Ext. Spring 3.97" Lg.
29	756-0981	Flat Idler	84	736-0117	FI-Wash. 3/8" I.D. x .62" O.D.
30	754-0446	"V"-Belt	85	736-0141	Spr. Wash. 7/16" I.D.
31	747-0640	Brake Rod	86	736-0192	FI-Wash. .531" I.D. x .93" O.D.
32	747-0639A	Shift Lever	87	736-0267	FI-Wash. 3/8" I.D. x .87" O.D.
33	741-0491	Flange Nylon Brg.	88	738-0296	Shld. Bolt .437" x .286"
34	738-0967	Shld. Bolt 3/8-16 Thd.	89	747-0729	Speed Control Link Rod
35	736-3068	FI-Wash. .5" I.D. x .875" O.D.	90	747-0750A	Deck Control Rod
36	736-0427	Bell-Wash. .567" I.D. x 1.125" O.D.	91	618-0312	Transmission Complete
37	736-0275	FI-Wash. 5/16" I.D.	92	13833A	Parking Brake Mtg. Brkt.
38	736-0242	Bell-Wash. .345" I.D. x .88" O.D.	93	712-0158	Hex L-Nut 5/16-18 Thd.
39	732-0642	Ext. Spring 7.3" Lg.	94	736-0105	Bell-Wash. .38" I.D. x .88" O.D.
40	732-0384	Ext. Spring 6.12" Lg.	95	732-0308	Extension Spring 6.37" Lg.
41	741-0475	Plastic Bushing	96	731-0483	Conduit 4" Lg.
42	721-0450	Boot Shifter	97	712-0214	Hex Cent. L-Nut 3/8-24 Thd.
43	718-0272	Shifter Snout	98	14076A	Idler Brkt. Deck Ass'y.
44	718-0271	Shifter Insert	99	756-0293A	"V"-Belt Idler
45	714-0111	Cotter Pin 1" Lg.	100	710-0459	Hex Bolt 3/8-24 x 1.5" Lg.
46	712-3035	Hex Jam Nut 9/16-18 Thd.	101	748-0278	Spacer
47	712-3010	Hex Nut 5/16-18 Thd. (Gr. 5)	102	738-0129	Shld. Bolt .498" Dia. x 2.05"
48	711-1155	Ferrule	103	732-0478	Extension Spring 6.12" Lg.
49	710-0726	Hex Wash. AB-Tap Scr. 5/16-18 Thd.	104	710-1002	Hex Bolt 7/16-20 x 2.75" Lg.
50	710-0642	Hex Wash. TT-Tap Scr. 1/4-20 x .75" Lg.		710-1049	Hex Bolt 7/16-20 x 3.75" Lg.†
51	710-0599	Hex Wash. Hd. TT-Tap Scr. 1/4-20 x .5" Lg.	105	736-0171	L-Wash. 7/16" I.D.*
52	710-0501	Hex Bolt 1/4-20 x 2" Lg. (Gr. 5)	106	736-0322	FI-Wash. .44" I.D. x 1.25" Lg.
53	710-0347	Hex Bolt 3/8-16 x 1.75" Lg. (Gr. 5)	107	756-0989	Engine Pulley
54	710-0189	Hex Bolt 5/16-18 x 3" Lg. (Gr. 5)		756-0990	Engine Pulley†
55	683-0154	Idler Brkt. Ass'y.	108	17358D	Belt Guard

Models 820 thru 829; 840 thru 849

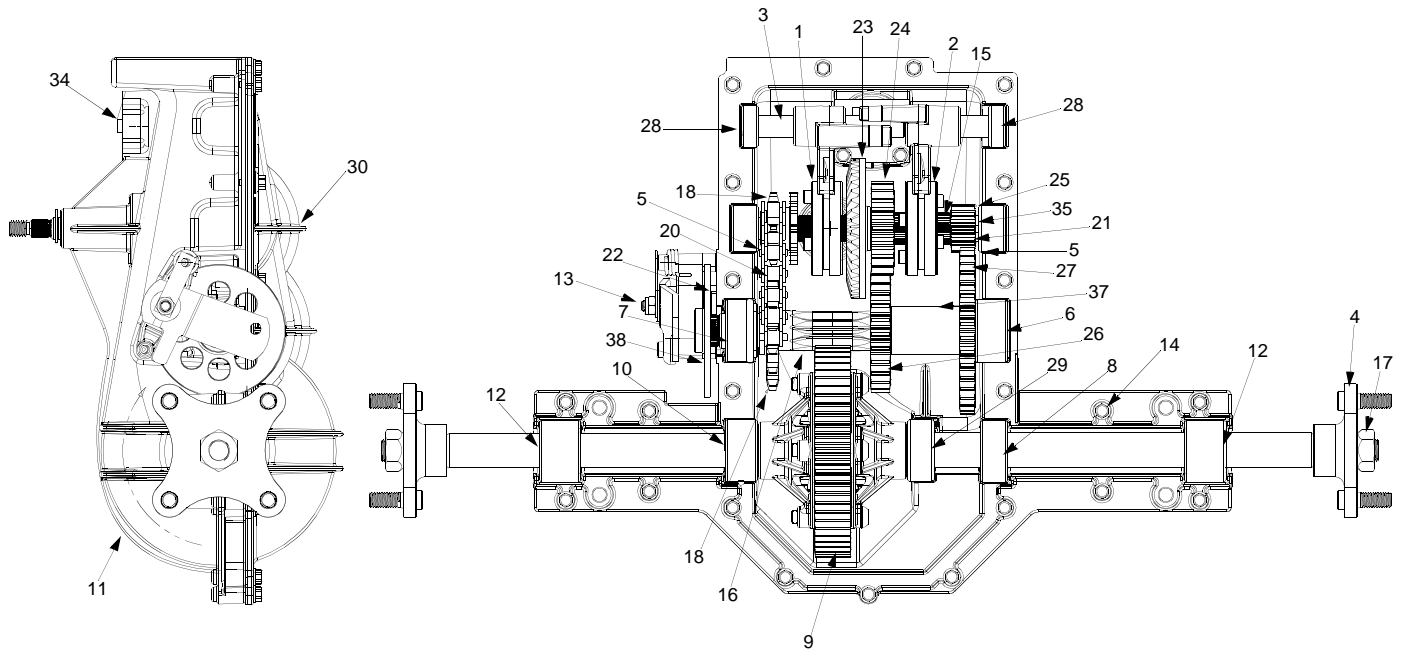
REF. NO.	PART NO.	DESCRIPTION	REF. NO.	PART NO.	DESCRIPTION
109	750-0956	Spacer	118	16888A	Deck Idler Support Brkt.
110	717-1434	Electric PTO†	119	712-0375	Hex Cent. L-Nut 3/8-16 Thd.
111	714-0128	Sq. Key 1/4" x 1" Lg.†	120	736-0329	L-Wash. 1/4" I.D.
112	17418	Torque Bracket†	121	710-0501	Hex Bolt 1/4-20 x 2" Lg.
113	710-3008	Hex Bolt 5/16-18 x .75" Lg.†	122	710-0726	Hex AB-Tap Scr. 5/16 x .75" Lg.
114	736-0242	Bell-Wash. .345" I.D. x .88" O.D.	123	13887A	Deck Control Pivot Brkt.
115	710-0833	Hex Bolt 5/16-18 x 5.25" Lg.	124	712-3004A	Hex L-Nut 5/16-18 Thd.
116	720-0232	Knob	125	710-3083	Hex Bolt 5/16-18 x 1.375" Lg.
117	720-0218	Shift Knob	126	736-0355	FI-Wash. .58" I.D. x 1" O.D.

† Models with Electric PTO Only

Models 820 thru 829; 840 thru 849 Electrical Schematic



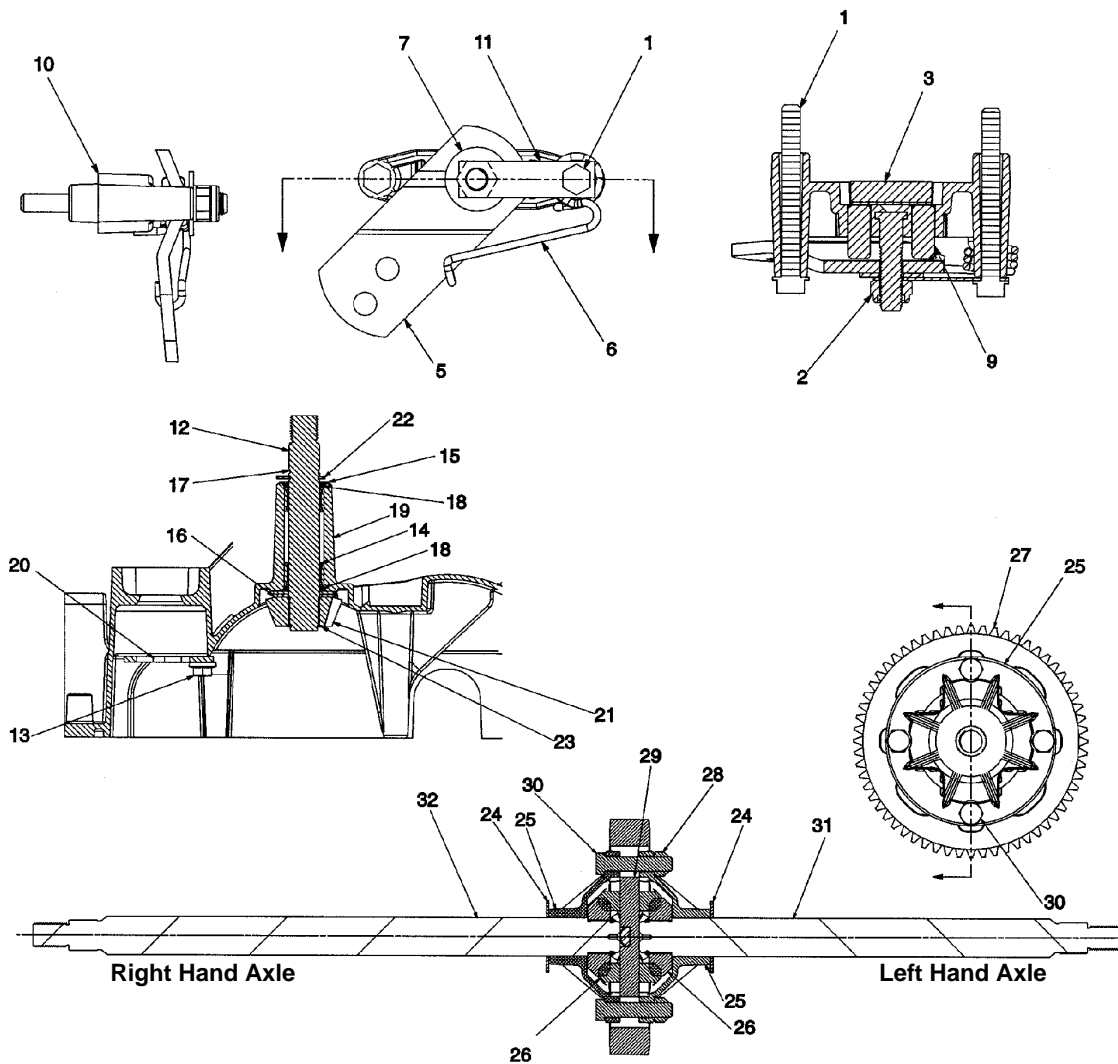
Models 820 thru 829; 840 thru 849



TRANSMISSION COMPLETE 618-0301A

REF. NO.	PART NO.	DESCRIPTION	REF. NO.	PART NO.	DESCRIPTION
1	618-0225	Collar Ass'y.—Reverse	20	713-0448	Chain Endless
2	618-0226	Collar Ass'y.—Hi-Lo	21	716-0131	Ext. Snap Ring
3	618-0227A	Shift Fork Ass'y.	22	717-0678	Brake Pad
4	618-0365	Wheel Hub Ass'y.	23	717-1438	Bevel Gear 41T
5	618-0284	Drive Shaft Blk. Ass'y.	24	717-1439	Spur Gear 20T
6	618-0285	Output Brg. Blk. Ass'y.	25	717-1440	Spur Gear 10T
7	618-0286	Output Brg. Blk. Ass'y. Seal	26	717-1441	Spur Gear 27T
8	618-0287	Inboard Axle Blk. Ass'y.	27	717-1442	Spur Gear 37T
9	618-0368	Differential Axle Ass'y.	28	718-0537	Shifter Brg. Blk.
10	618-0302	Inboard Axle Blk. Ass'y.	29	718-0500	Inner Axle Blk. Brg.
11	619-0034	Upper Housing Ass'y.	30	719-0385	Lower Housing
12	641-0002A	Axle Brg. Blk. Ass'y.	31	721-0468	Main Gasket
13	661-0012	Bracket Ass'y. —R.H.	32	721-0469	Axle Gasket —L.H.
14	710-0788	Hex Wash. TT-Tap Scr. 1/4-20 x 1" Lg.	33	721-0470	Axle Gasket —R.H.
15	711-1051A	Drive Shaft	34	731-1898	Shipping Plug
16	711-1216	Output Shaft —R.H.	35	736-0337	Fl-Wash. 5/8" I.D. x 1" O.D.
17	712-1329	Hex Nut 3/4-16	37	750-1033A	Spacer 1.13" I.D. x 1.38" O.D.
18	713-0446	Sprocket 9T	38	761-0215	Disc Brake
19	713-0447	Sprocket 16T	39	777X4001	Model I.D. Label (Not Shown)

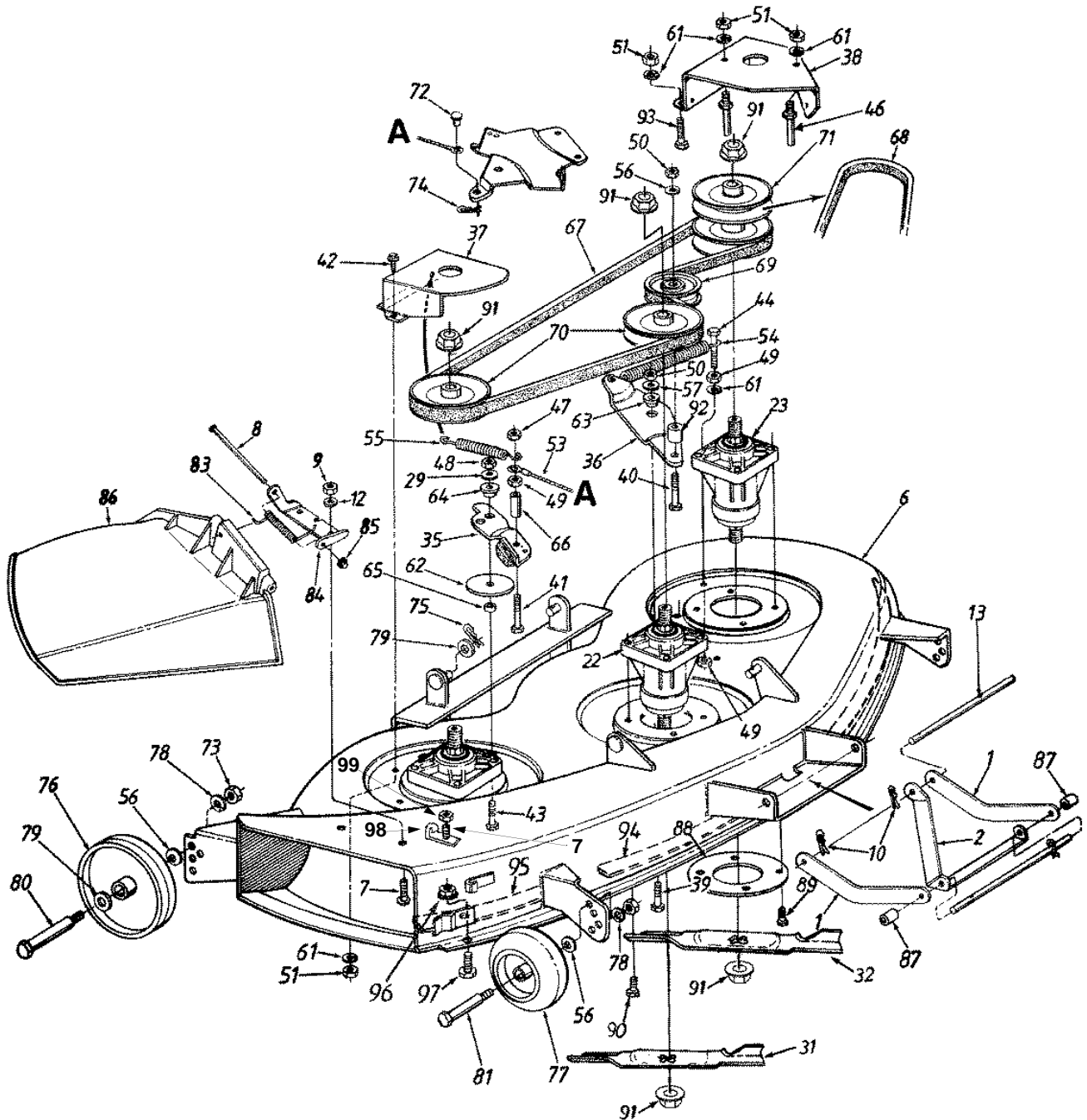
Models 820 thru 829; 840 thru 849



REF. NO.	PART NO.	DESCRIPTION	REF. NO.	PART NO.	DESCRIPTION
1	710-1206	Hex Wash. Hd. Scr. 1/4-20 x 2.37	18	721-0213	Seal
2	712-0273	Nylon L-Nut 5/16-24 Thd.	19	719-0337	Upper Housing
3	717-0678	Brake Puck	20	718-0300	Lockout Plate
4	717-0682	Puck Plate	21	717-1463	Bevel Gear
5	717-0772A	Brake Arm	22	716-0231	Retainer Ring
6	732-0925	Torsion Spring	23	716-0114	Retainer Ring
7	736-0371	Fl-Wash. .343" I.D. x .88" O.D.	24	736-3046	Fl-Wash. 1" I.D. x 1.8" O.D.
9	741-0343	Brake Pin	25	719-0340	Differential Housing
10	761-0207	Brake Yoke	26	717-1446	10T Miter Gear
11	761-0208	Brake Anti Rotation Brkt.	27	717-1443	Spur Gear 60T
12	711-1235	Input Shaft	28	712-3054	Hex L-Nut 3/8-24 Thd.
13	710-0788	Hex Washer AB-Tap Scr.1/4-14 x 1"	29	711-1052A	Cross Shaft
14	741-0335	Needle Brg. .625" I.D.	30	710-1642	Hex Bolt 3/8-24 x 2" Lg.(Gr. 5)
15	736-0336	Fl-Wash. 5/8" I.D. x 1" O.D.	31	611-0052A	Axle Ass'y.—L.H.
16	736-0335	Thrust Wash. .635" I.D. x 1.25" O.D.	32	611-0051A	Axle Ass'y.—R.H.
17	732-0614	Wire Ring			

Models 820 thru 829; 840 thru 849

Deck "H"



Models 820 thru 829; 840 thru 849

Deck "H"

REF. NO.	PART NO.	DESCRIPTION	REF. NO.	PART NO.	DESCRIPTION
1	17347	Deck Stabilizer	63	738-0347	Shld. Spacer .625" I.D.
2	17264	Diagonal Brace	64	748-0234	Shld. Spacer †
6	683-0052	46" Deck Ass'y. Comp.	65	750-0214	Spacer .34" I.D.
7	710-0751	Hex Bolt 1/4-20 x .62" Lg.	66	750-0470	Spacer .326" I.D. †
8	711-0792	Hinge Pin	67	754-0349	V-Belt
9	712-3006	Hex Nut 1/4-20 Thd. (Gr. 5)	68	754-0350	V-Belt
10	714-0149B	Hairpin Clip	69	756-0627	FI-Idler Pulley 3.5" O.D.
12	736-0270	Bell-Wash. 1/4" I.D.	70	756-0969	Pulley 5.0" Dia.
13	738-0392	Deck Connecting Rod	71	756-0977	Double Pulley 5.0" Dia.
22	618-0240	Spindle Ass'y. (R.H. & Center)	72	711-0701	Clevis Pin 1/4" Dia. x .53" Lg.
23	618-0241	Spindle Ass'y. (L.H.) †	73	712-0798	Hex Nut 3/8-16 Thd.
29	736-0119	Lock Wash. 5/16" I.D.*	74	714-0104	Intern. Cotter Pin 5/16" Dia.
31	742-0645	Blade 14.88" Lg. (Middle)	75	714-0145	Intern. Cotter Pin 3/8 Dia.
32	742-0644	Blade 16.28" Lg. (R.H. & L.H.)	76	734-0973	Deck Wheel 5" Dia.
35	17116	Deck Brake Brkt. Ass'y. †	77	734-3058B	Deck Wheel w/Insert 5" Dia.
36	17213	Idler Bracket	78	736-0169	L-Wash. 3/8" I.D.*
37	17258A	Belt Cover Brkt.—R.H.	79	736-0192	FI-Wash. .531" I.D.
38	783-0066A	Belt Cover—L.H.	80	738-0533	Shoulder Bolt .498" Dia. x 1.64" Lg.
39	710-1039	Hex Bolt 3/8-24 x 1.0" Lg.	81	738-3056	Shoulder Bolt
40	710-0151	Hex Bolt 3/8-24 x 2" Lg.	83	732-0602	Torsion Spring
41	710-0559	Hex Bolt 1/4-28 x 1.75" Lg. †	84	703-1693	Hinge Mtg. Brkt.
42	710-0599	Hex Wash. Hd. Tap-Scr. 1/4-20 x .5" Lg. †	85	726-0106	Push Nut
43	710-0624	Hex Bolt 5/16-24 x 1.5" Lg. (Grade 5) †	86	731-1032	Chute Ass'y. Comp. (Incl. Ref. 8, 83, 84, 85, 86)
44	710-0698	Hex Bolt 1/4-28 x 1.5" Lg.	87	750-0932A	Spacer 5/8" I.D. x 7/8" O.D.
46	711-0993	Belt Guard Pin 1/4" Dia.	88	17982	Spindle Reinforcement Plate
47	712-0117	Hex Cent. L-Nut 1/4-28 Thd. †	89	710-0650	Hex Wash. Hd. Scr. 5/16-18 x 1" Lg.
48	712-0123	Hex Nut 5/16-24 Thd.	90	710-1260	Hex Wash. Hd. Scr. 5/16-18 x .75" Lg.
49	712-0138	Hex Nut 1/4-28 Thd.	91	712-0417A	Hex Flange Nut 5/8-18 Thd.
50	712-0241	Hex Nut 3/8-24 Thd.	92	711-0242	Spacer .38" I.D.
51	712-3006	Hex Nut 1/4-20 Thd. (Gr. 5)	93	710-3013	Hex Bolt 1/4-20 x .5" Lg.
53	727-0426	Brake Cable Ass'y. †	94	783-0141	Skirt—Center
54	732-0594A	Extension Spring 6.17" Lg.	95	783-0142	Skirt—Right Hand
55	732-0429A	Extension Spring 3.97" Lg. †	96	712-0271	Hex Sems Nut 1/4-20 Thd.
56	736-0105	Bell-Wash. .38" I.D. x .88" O.D.	97	710-0167	Carriage Bolt 1/4-20 x .5" Lg.
57	736-0331	Bell-Wash. .39" I.D. x 1.13" O.D.	98	16606	Retainer Hook Bracket
61	736-0329	L-Wash. 1/4" I.D.*	99	712-3027	Hex Lock Nut 1/4-20
62	736-0416	FI-Wash. 5/16" I.D. x 3" O.D. †			

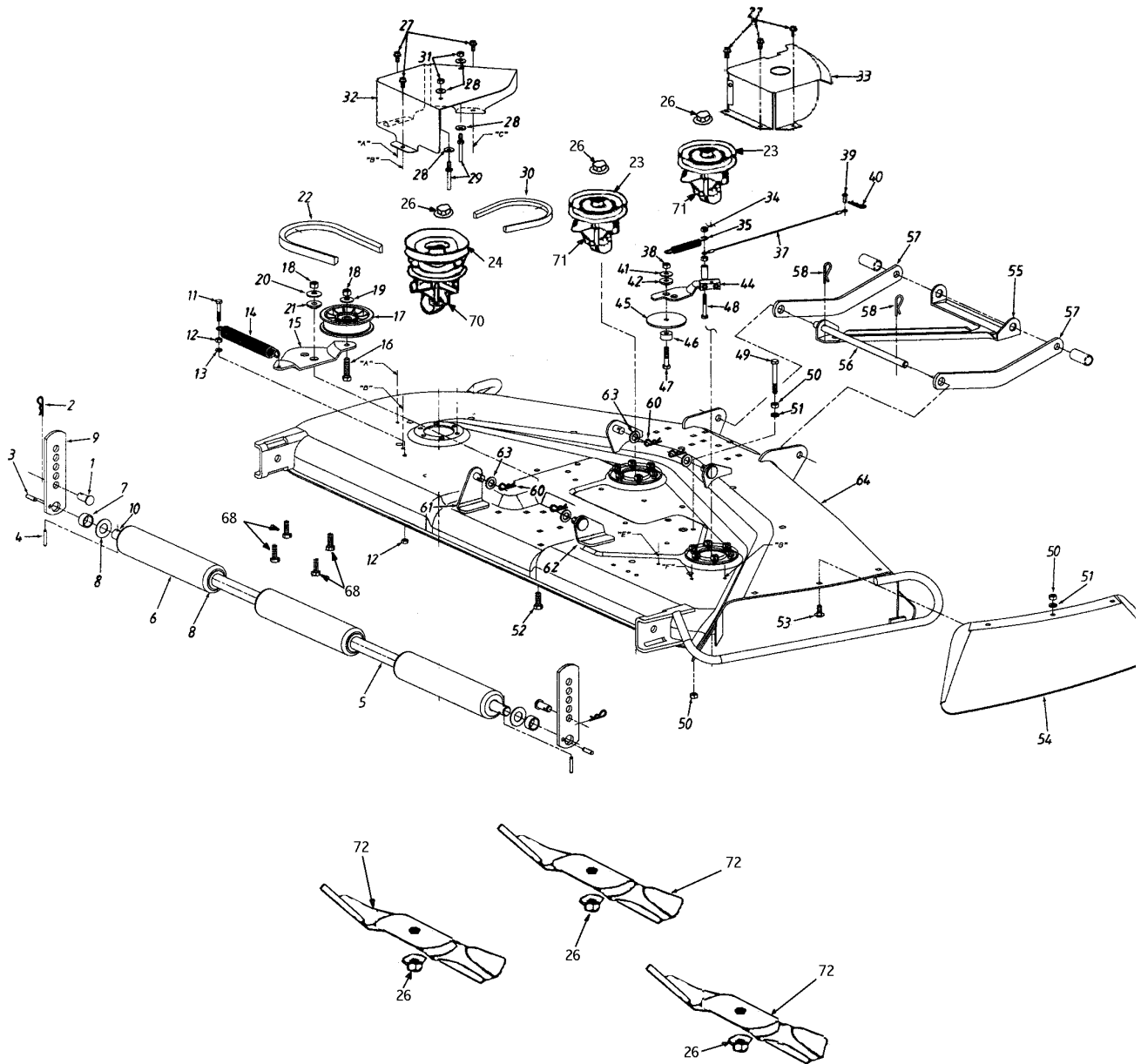
† Not used on units with Electric P.T.O.

IMPORTANT: For a proper working machine, use Factory Approved Parts.

V-BELTS are specially designed to engage and disengage safely. A substitute (non OEM) V-belt can be dangerous by not disengaging completely.

Models 820 thru 829; 840 thru 849

Deck "P"



Models 820 thru 829; 840 thru 849

Deck "P"

REF. NO.	PART NO.	DESCRIPTION	REF. NO.	PART NO.	DESCRIPTION
1	711-0310	Clevis Pin	35	732-0429A	Ext. Spring 3.97" Lg. †
2	714-0101	Hairpin Clip	36	712-0138	Hex Nut 1/4-28 Thd.
3	715-0108	Spring Pin 1/4" x 1" Lg.	37	727-0295	Brake Cable †
4	715-0246	Spring Pin 3/16" x 1-1/4" Lg.	38	712-0123	Hex Nut 5/16-24 Thd. †
5	750-0288	Spacer .82" I.D.	39	711-0701	Clevis Pin †
6	731-0335	Deck Roller	40	714-0104	Hairpin Clip †
7	750-0212	Spacer .75" I.D.	41	736-0425	Bell-Wash. .325" I.D. †
8	736-0188	Fl-Wash. .76" I.D. x 1.5" O.D.	42	748-0234	Shld. Spacer †
9	12650	Height Adjuster	43	750-0470	Spacer .96" Lg.
10	738-0295	Roller Shaft	44	17116	Brake Ass'y. †
11	710-0698	Hex Bolt 1/4-28 x 1.5" Lg. (Gr. 5)	45	736-0416	Fl-Wash. 5/16" I.D. x .3" O.D. †
12	712-0138	Hex Nut 1/4-28 Thd.	46	750-0214	Spacer .44" Lg. †
13	736-0329	L-Wash. 1/4" I.D.	47	710-0624	Hex Bolt 5/16-24 x 1.5" Lg.(Gr. 5) †
14	732-0594A	Ext. Spring 7.33" Lg.	48	710-0559	Hx Bolt 1/4-28 x 1.75" Lg. (Gr. 5) †
15	783-0139	Idler Brkt.	49	710-0378	Hex Bolt 5/16-18 x 2.5" Lg.
16	710-0459	Hex Bolt 3/8-24 x 1.5" Lg.	50	712-0267	Hex Nut 5/16-18 Thd.*
17	756-0627	Idler Pulley	51	736-0119	L-Wash. 5/16" I.D.*
18	712-0241	Hex Nut 3/8-24 Thd.	52	710-1039	Hex Bolt 3/8-24 x 1" Lg.
19	736-0105	Bell-Wash. 3/8" I.D.	53	710-0451	Carr. Bolt 5/16-18 x .75" Lg.
20	736-0331	Bell-Wash. .39" I.D. x 1.13" O.D.	54	12649	Chute Guard
21	738-0347	Shld. Spacer .625" I.D.	55	17264	Diagonal Brace
22	754-0291A	Lower "V"-Belt	56	738-0392	Connecting Rod
23	756-0969	Deck Pulley	57	17347	Stabilizer Link
24	756-1041	Double Deck Pulley	58	714-0149B	Hairpin Clip
26	712-0417A	Hex Flange Nut 5/8-18 Thd.	59	750-0932A	Spacer 1.75" Lg.
27	710-0599	Hex Wash. Hd. Scr. 1/4-20 x .5"Lg.	60	714-0145	Hairpin Clip
28	736-0270	Bell-Wash. 1/4" I.D.	63	736-0192	Fl-Wash. 1/2" I.D. x .93" O.D.
29	711-0747	Belt Guard Pin	64	683-0177	Deck Ass'y.
30	754-0364	Upper "V"-Belt	68	710-1260	Hex Wash. Hd. Tap Scr.
31	712-0287	Hex Nut 1/4-20 Thd.	70	618-0269	Spindle Ass'y. (L.H.)
32	783-0131	Belt Guard—L.H.	71	618-0268	Spindle Ass'y. (R.H. & Center)
33	783-0130	Belt Guard—R.H.	72	742-0623	Blade
34	712-0117	Hex L-Nut 1/4-28 Thd. †			

† Not used on units with Electric P.T.O.

IMPORTANT: For a proper working machine, use Factory Approved Parts.

V-BELTS are specially designed to engage and disengage safely. A substitute (non OEM) V-belt can be dangerous by not disengaging completely.