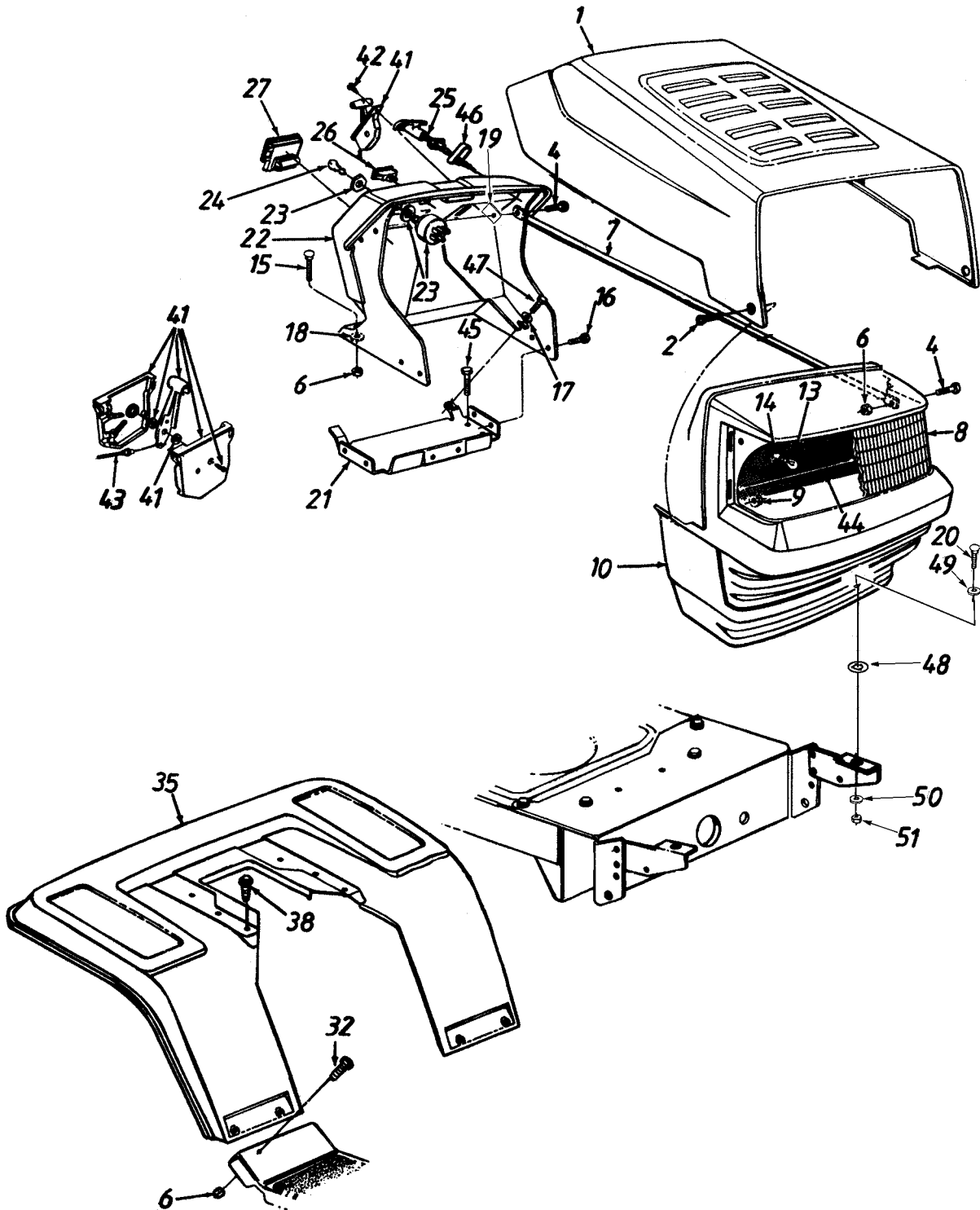


Style 0



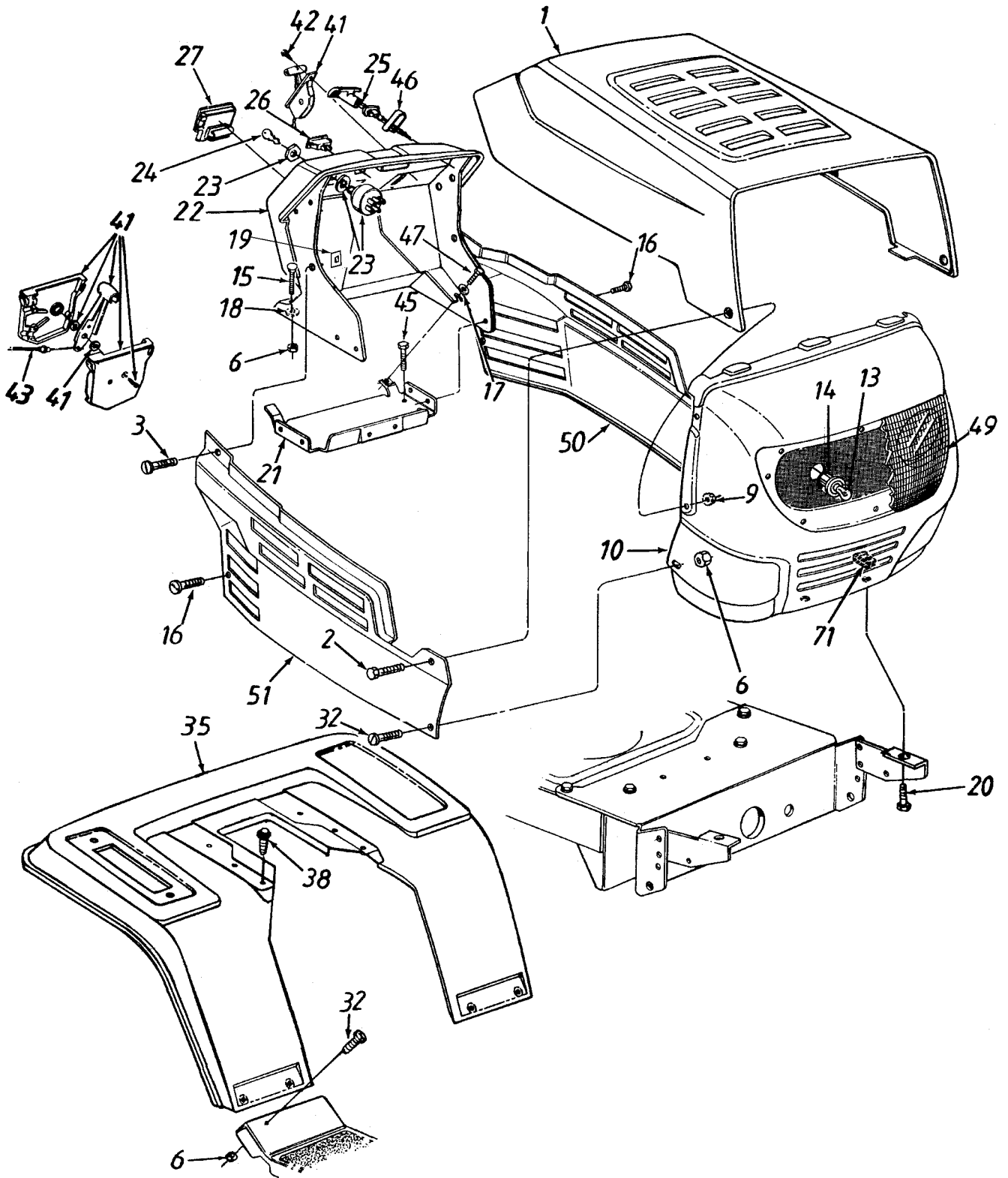
Style 0

REF. NO.	PART NO.	DESCRIPTION
1	783-0250	Hood
2	738-0952A	Shld. Bolt .375" Dia. x .125" Lg.
4	710-0924	Pan Hd. Scr. 1/4-20 x .75" Lg.
6	712-3006	Hex Sems Nut 1/4-20 Thd.
7	749-0812	Grille Support Rod
8	731-1099A	Headlight Lens w/o Logo
	731-1767	Headlight Lens w/ Logo
9	712-3027	Flange Lock Nut 1/4-20 Thd.
10	731-1097E	Grille
13	725-0963	Lamp
14	725-1649	Socket
15	710-0703	Carriage Bolt 1/4-20 x .75" Lg.
16	710-0599	Hex Wash. Hd. TT-Tap Scr. 1/4-20 x .5"
17	736-0173	Flat Washer .281" I.D. x .73" O.D.
18	726-0233	Bolt Retainer 1/4" I.D.
19	712-0185	Speed Nut 1/4-20 Thd.
20	710-3008	Hex Bolt 5/16-18 x .75" Lg. (Gr.5)
21	17632A	Gas Tank Support Brkt.
22	731-1096B	Dash w/Ammeter Hole
	731-1337A	Dash w/o Ammeter Hole
23	725-0267	Ignition Switch
24	725-0201	Ignition Key
25	746-0616A	Choke Control 23" Lg.
	746-0614A	Choke Control 38" Lg.
	746-0720	Choke Control 20" Lg.
	746-3021	Choke Control 29" Lg.
26	725-0634	Light Switch**
27	725-0925	Ammeter**
32	710-0286	Truss Mach. Scr. 1/4-20 x .5" Lg.
35	17871B	Fender w/Cutout
38	710-0726	Hex Wash. Hd. AB-Tap Scr. 5/16 x .75"
41	831-0823A	Throttle Box Assembly
42	710-0779A	Truss Mach. AB-Tap Scr. #10 x .5" Lg.
43	746-0776	Throttle Control Wire 18.5" Lg.
	746-0634	Throttle Control Wire 35" Lg.
	746-0638	Throttle Control Wire 22" Lg.
44	777-9206	Grille Reflector Label
45	710-0603	Hex Wash. Hd. B-Tap Scr. 5/16-18 x .5"
46	17782	Choke Retainer
47	710-0642	Hex TT-Tap Scr. 1/4-20 x .75" Lg.
48	726-0201	U-Nut 5/16-18 Thd.
49	736-3078	Flat Washer .34" I.D. x 1" O.D.
50	736-0119	Lock Washer 5/16" I.D.
51	712-3010	Hex Nut 5/16-18 Thd. (Gr.5)
—	629-0309	Headlight Harness (Not Shown)

** Optional Parts

NOTE: For faster service, obtain the standard fasteners locally. If these are not available locally, call 1(800) 800-7310 or 1(330) 220-4MTD to order by part number and size as shown here.

Style 3



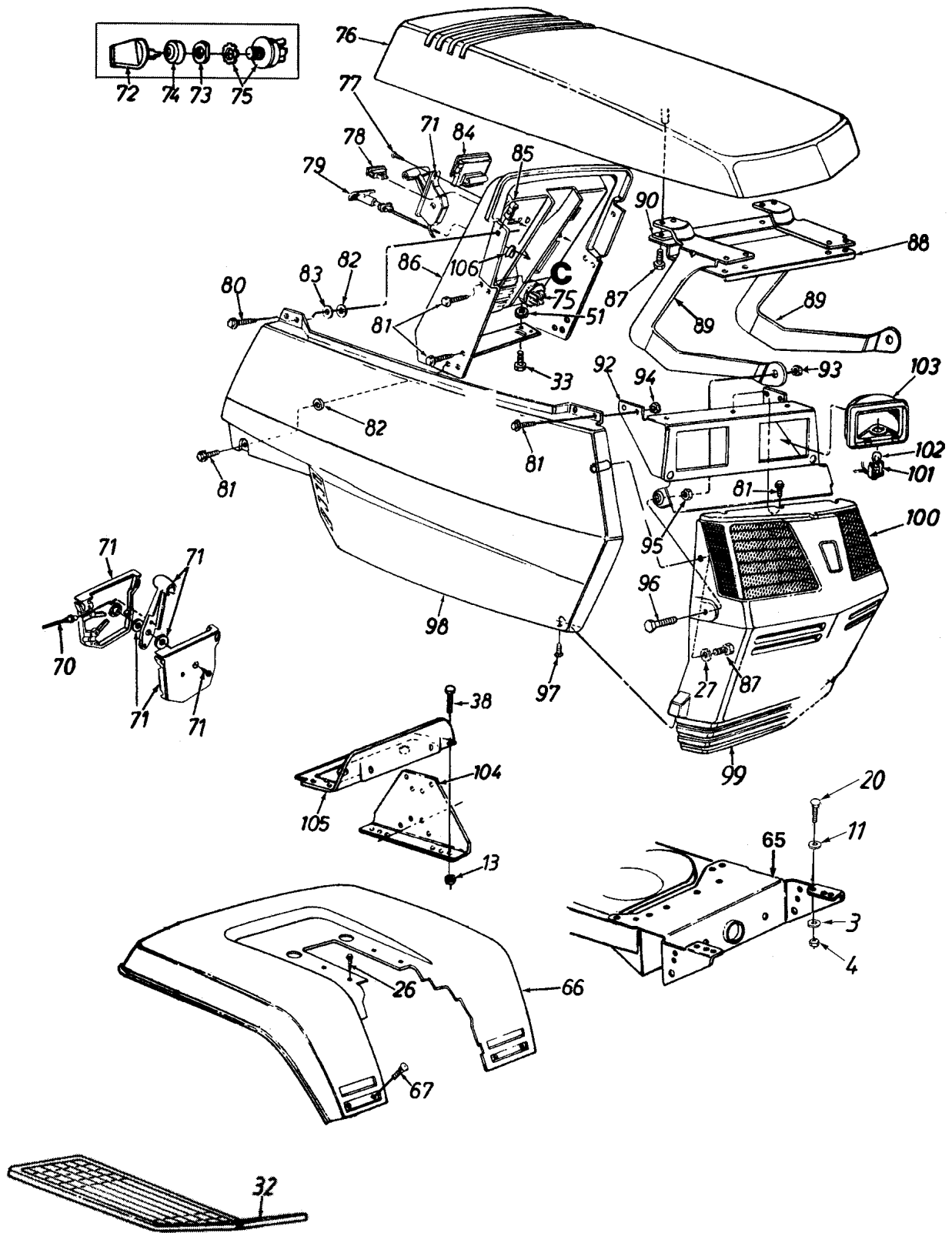
Style 3

REF. NO.	PART NO.	DESCRIPTION
1	783-0250	Hood
2	738-0952	Shld. Bolt .375" Dia. x .125" Lg.
6	712-0271	Hex Sems Nut 1/4-20 Thd.
9	712-3027	Flange Lock Nut 1/4-20 Thd.
10	783-0156A	Grille
13	725-0963	Lamp
14	725-1651	Socket
15	710-0703	Carriage Bolt 1/4-20 x .75" Lg.
16	710-0599	Hex Wash. Hd. TT-Tap Scr. 1/4-20 x .5"
17	736-0173	Flat Washer .281" I.D. x .73" O.D.
18	726-0233	Bolt Retainer 1/4" I.D.
19	712-0185	Speed Nut 1/4-20 Thd.
20	710-0376	Hex Bolt 5/16-18 x .1" Lg.
21	17632A	Gas Tank Support Brkt.
22	731-1096B	Dash w/Ammeter Hole
	731-1337A	Dash w/o Ammeter Hole
23	725-0267	Ignition Switch
24	725-0201	Ignition Key
25	746-0616A	Choke Control 23" Lg.
	746-0614A	Choke Control 38" Lg.
	746-3021	Choke Control 29" Lg.
	746-0720	Choke Control 20" Lg.
26	725-0634	Light Switch**
27	725-0925	Ammeter**
32	710-0924	Pan Hd. Scr. 1/4-20 x .75" Lg.
35	17871B	Fender
38	710-0726	Hex Wash. Hd. AB-Tap Scr. 5/16 x .75"
41	831-0823A	Throttle Box Assembly
42	710-0779A	Truss Mach. AB-Tap Scr. #10 x .5" Lg.
43	746-0776	Throttle Control Wire 18.5" Lg.
	746-0634	Throttle Control Wire 35" Lg.
	746-0638	Throttle Control Wire 22" Lg.
45	710-0603	Hex Wash. Hd. B-Tap Scr. 5/16-18 x .5"
46	17782	Choke Retainer
47	710-0642	Hex TT-Tap Scr. 1/4-20 x .75" Lg.
49	731-1503A	Lens
50	783-0151A	Side Panel—LH
51	783-0150A	Side Panel—RH
71	726-0211	U-Nut 5/16-18 Thd.
-	629-0309	Headlight Harness (Not Shown)

** Optional Parts

NOTE: For faster service, obtain the standard fasteners locally. If these are not available locally, call 1(800) 800-7310 or 1(330) 220-4MTD to order by part number and size as shown here.

Style 4



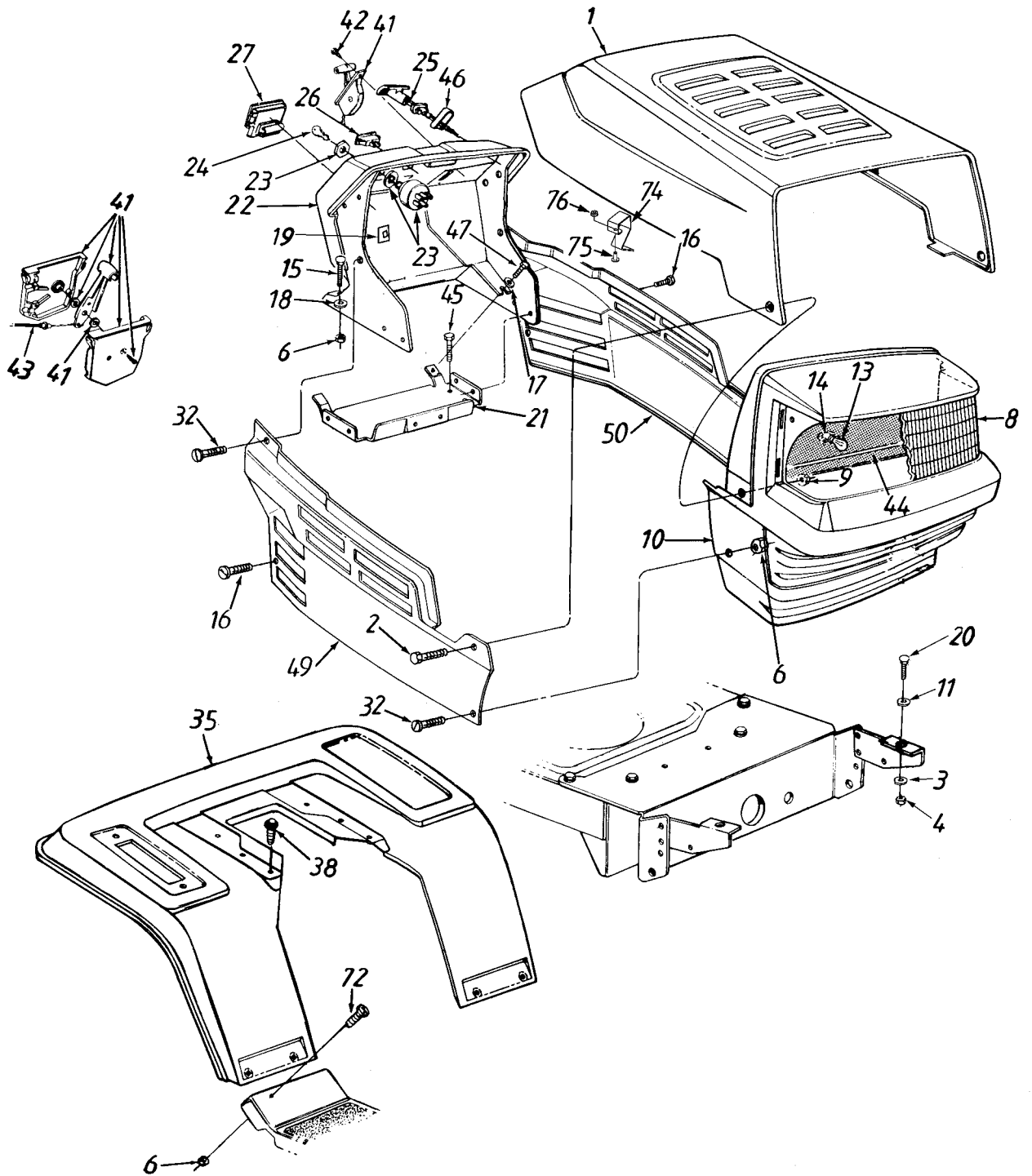
Style 4

REF. NO.	PART NO.	DESCRIPTION	REF. NO.	PART NO.	DESCRIPTION
9	710-3008	Hex Bolt 5/16-18 x .75" Lg. (Gr.5)	82	726-0233	Push Nut Fastener
10	712-3010	Hex Nut 5/16-18 Thd. (Gr.5)	83	736-0176	Flat Washer .27" I.D. x .948"
11	736-0119	Lock Washer 5/16" I.D.	84	725-0925	Ammeter
12	736-3078	Flat Washer .34" I.D. x 1" O.D.	85	712-0185	Speed Nut 1/4-20 Thd.
13	712-0271	Hex Sems Nut 1/4-20 Thd.	86	731-0961A	Dash Panel
26	710-0726	Hex Wash. Hd. AB-Tap Scr.5/16 x .75"	87	710-0599	Hex Wash. Hd. B-Tap Scr.1/4 x .75" Lg.
27	736-0142	Flat Washer .218" I.D. x .5" O.D.	88	783-0121	Hood Reinforcement
32	731-0911	Rubber Foot Pad—LH **	89	783-0123	Hood Hinge
	731-0912	Rubber Foot Pad—RH**	90	17762	Hood Reinforcement Spacer
33	710-3008	Hex Bolt 5/16-18 x .75" Lg.	92	17223	Light Bracket
38	710-0258	Hex Bolt 1/4-20 x .62" Lg.	93	712-0158	Hex Lock Nut 5/16-18 Thd.
51	712-0265	Hex Sems Nut 5/16-18 Thd.	94	712-0107	Hex Lock Nut 1/4-20 Thd.
65	783-0041A	Pivot Bar Brkt.	95	712-3007	Hex Jam Nut 5/16-18 Thd.
66	783-0350	Fender	96	710-0874	Hex Bolt 5/16-18 x 7/8" Lg.
67	710-0167	Carriage Bolt 1/4-20 x .62" Lg.	97	710-0351	Truss Mach. B-Tap Scr. #10 x .5" Lg.
70	746-0776	Throttle Wire 18.5" Lg.	98	731-1434	Side Cover—RH - Red
	746-0634	Throttle Wire 35" Lg.		731-2256	Side Cover—RH - Black
	746-0636	Throttle Wire 28" Lg.		731-1435	Side Cover—LH (Not Shown) - Red
71	831-0823A	Throttle Control Box Assembly		731-2255	Side Cover—LH (Not Shown) - Black
72	725-1341B	Ignition Key	99	731-1442A	Grille - Red
73	725-1346	Ignition Switch Nut		731-2254	Grill - Black
74	725-1347	Ignition Switch Cap	100	731-0949	Lens—LH
75	725-1396	Ignition Switch		731-0948	Lens—RH
76	731-1433	Hood - Red	101	725-1650	Twist Lock-Lamp Socket
	731-2253	Hood - Black	102	725-0963	Lamp
77	710-0779A	Truss Mach. AB-Tap Scr. #10 x.5" Lg.	103	731-0705	Headlight Housing
78	725-0634	Light Switch	104	17300D	Dash Support Brkt.
79	746-3021	Choke Control 29" Lg.	105	17633A	Support Brkt.
	746-0614A	Choke Control 38" Lg.	106	17782	Choke Retainer
80	710-0642	Hex Wash. Hd. Tap Scr. 1/4 x .75" Lg.	—	629-0309	Headlight Harness (Not Shown)
81	710-0599	Hex Tap Scr. 1/4-20 x .5" Lg.			

** Optional Parts

NOTE: For faster service, obtain the standard fasteners locally. If these are not available locally, call 1(800) 800-7310 or 1(330) 220-4MTD to order by part number and size as shown here.

Style 5



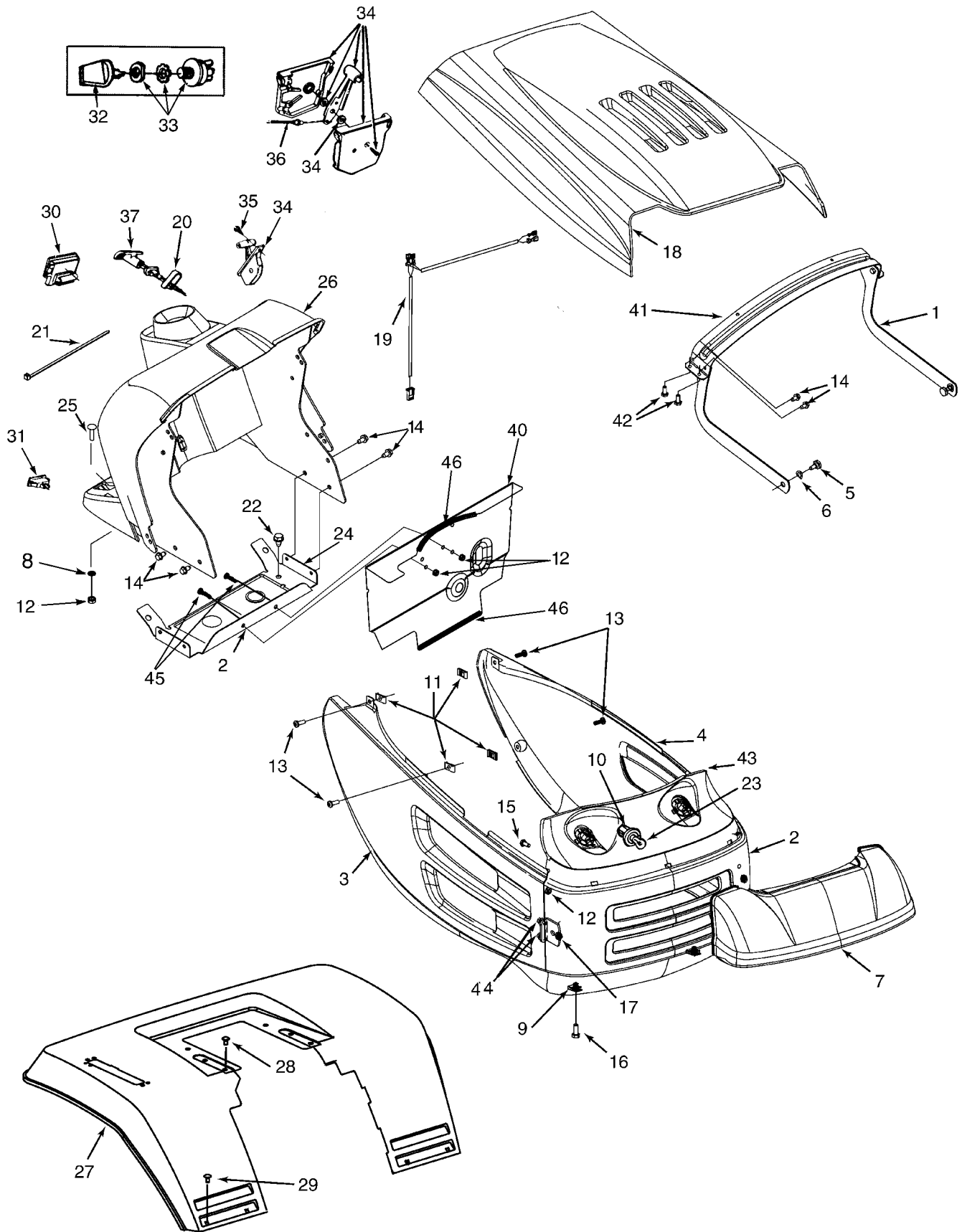
Style 5

REF. NO.	PART NO.	DESCRIPTION
1	783-0250	Hood
2	738-0952	Shld. Bolt .375" Dia. x .125" Lg.
3	736-0119	Lock Washer 5/16" I.D.
4	712-3010	Hex Nut 5/16-18 Thd.
6	712-0271	Hex Sems Nut 1/4-20 Thd.
8	731-1099A	Headlight Lens w/o Logo
	731-1767	Headlight Lens w/ Logo
9	712-3027	Flange Lock Nut 1/4-20 Thd.
10	731-1097E	Grille
11	736-3078	Flat Washer .344" I.D. x 1" O.D.
12	712-0267	Hex Nut 5/16-18 Thd.
13	725-0963	Lamp
14	725-1649	Socket
15	710-0703	Carriage Bolt 1/4-20 x .75" Lg.
16	710-0599	Hex Wash. Hd. TT-Tap Scr.1/4-20 x .5" Lg.
17	736-0173	Flat Washer .281" I.D. x .73" O.D.
18	726-0233	Bolt Retainer 1/4" I.D.
19	712-0185	Speed Nut 1/4-20 Thd.
20	710-3008	Hex Bolt 5/16-18 x .75" Lg. (Gr.5)
21	17632A	Gas Tank Support Brkt.
22	731-1096B	Dash w/Ammeter Hole
	731-1337A	Dash w/o Ammeter Hole
23	725-0267	Ignition Switch
24	725-0201	Ignition Key
25	746-0616A	Choke Control 23" Lg.
	746-0614A	Choke Control 38" Lg.
	746-3021	Choke Control 29" Lg.
	746-0720	Choke Control 20" Lg.
26	725-0634	Light Switch**
27	725-0925	Ammeter**
32	710-0924	Pan Hd. Scr. 1/4-20 x .75" Lg.
35	17871B	Fender w/Cutout
38	710-0726	Hex Wash. Hd. AB-Tap Scr.5/16 x .75" Lg.
41	831-0823A	Throttle Box Assembly
42	710-0779A	Truss Mach. AB-Tap Scr.#10 x .5" Lg.
43	746-0776	Throttle Control Wire 18.5" Lg.
	746-0634	Throttle Control Wire 35"Lg.
	746-0638	Throttle Control Wire 22" Lg.
44	777-9206	Grille Reflector Label
45	710-0603	Hex Wash. Hd. B-Tap Scr.5/16-18 x .5" Lg.
46	17782	Choke Retainer
47	710-0642	Hex TT-Tap Scr. 1/4-20 x .75" Lg.
49	783-0150A	Side Panel-RH
50	783-0151A	Side Panel-LH
72	710-0286	Truss Mach. Scr. 1/4-20 x .5" Lg.
73	736-0342	Flat Washer .283" I.D. x .75" Lg.
74	732-0835	Hood Latch **
75	712-0272	Hex Sems Nut 10-24 Thd. **
76	710-0473	Truss Mach. Scr. 10-24 x .5" Lg. **
—	629-0309	Headlight Harness (Not Shown)

** Optional Parts

NOTE: For faster service, obtain the standard fasteners locally. If these are not available locally, call 1(800) 800-7310 or 1(330) 220-4MTD to order by part number and size as shown here.

Style 8



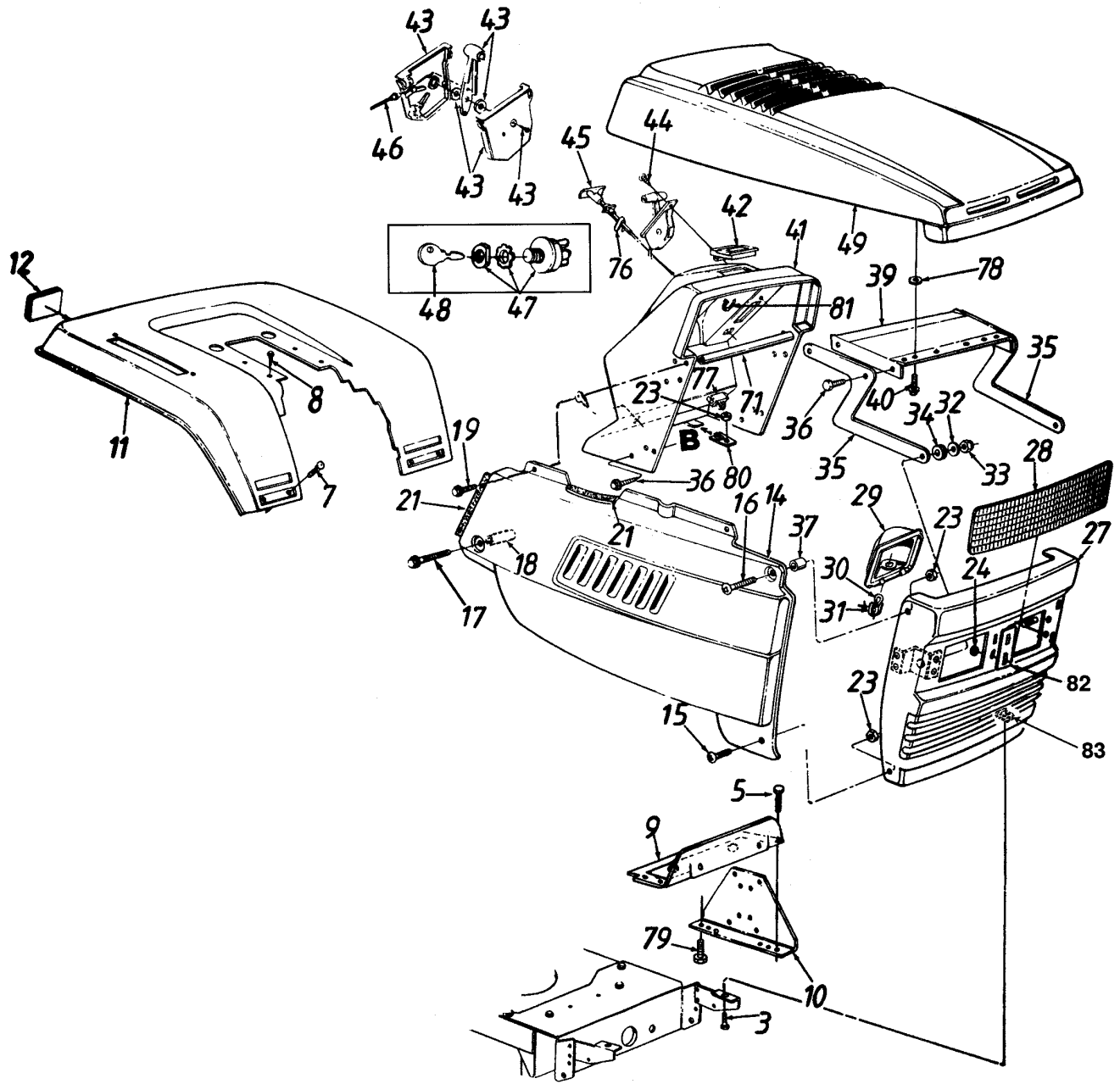
Style 8

REF NO.	PART NO.	DESCRIPTION
1	783-0551	Hood Brkt.
2	783-0477	Grille
3	783-0476	Side Panel -RH
4	783-0475	Side Panel - LH
5	738-0255	Shld. Bolt .375" Dia.
6	736-0413	Spr. Wash. .39" I.D. x .62" O.D.
7	731-1854	Lens
8	726-0233	Retainer Nut
9	726-0211	U - Nut 5/16-18 Thd
10	725-1651	Socket
11	712-0292	Tinn. Nut 1/4-20 Thd.
12	712-0271	Hex Sems Nut 1/4-20 Thd.
13	710-0924	Pan Hd. Mach. Scr. 1/4-20 x .75" Lg.
14	710-0599	Hex Wash. Hd. TT-Tap Scr. 1/4-20 x .5"
15	710-0751	Hex Bolt
16	710-0376	Hex Bolt 5/16-18 x .1" Lg. (Gr.5)
17	683-0168	Hood Pivot Brkt. Assembly
18	783-0478	Hood
19	629-0308	Headlight Harness
20	17782	Choke Retainer
21	725-0157	Cable Tie
22	710-0607	Hex Wash. Hd. Tap Scr. 5/16-18 x .5"
23	725-0963	Lamp
24	17632A	Gas Tank Support Brkt.
25	710-0703	Carriage Bolt 1/4-20 x .75" Lg.
26	731-1852	Dash Panel
27	783-0350	Fender
28	710-0726	Hex Wash. Hd. Tap Scr. 5/16 x .75"
29	710-0286	Truss Mach. Scr. 1/4-20 x .5" Lg.
30	725-0925	Ammeter
31	725-0634	Light Switch
32	725-0201	Ignition Key
33	725-0267	Ignition Switch
34	831-0823A	Throttle Box Assembly
35	710-0779A	Truss Mach. AB-Tap Scr. #10 x .5"
36	746-0776	Throttle Control Wire 18.5" Lg.
	746-0638	Throttle Control Wire 22" Lg.
	746-0634	Throttle Control Wire 35" Lg.
37	746-0720	Choke Control 20" Lg.
	746-0616A	Choke Control 23" Lg.
	746-3021	Choke Control 29" Lg.
	746-0614A	Choke Control 38" Lg.
40	16988A	Engine Baffle †
41	783-0553	Hood Brkt. Support
42	710-0351	Pan Hd. Scr. #10-16 x .5" Lg.
43	726-0293	Retainer Nut
44	710-0896	Hex Wash. AB-Tap Scr. 1/4-14 x .625"
45	710-0166	Pan Hd. Scr. 1/4-20 x 1" Lg.†
46	731-0511-18	Trim Strip †

† B&S Twin Cylinder Engine Only.

NOTE: For faster service, obtain the standard fasteners locally. If these are not available locally, call 1(800) 800-7310 or 1(330) 220-4MTD to order by part number and size as shown here.

Style 9



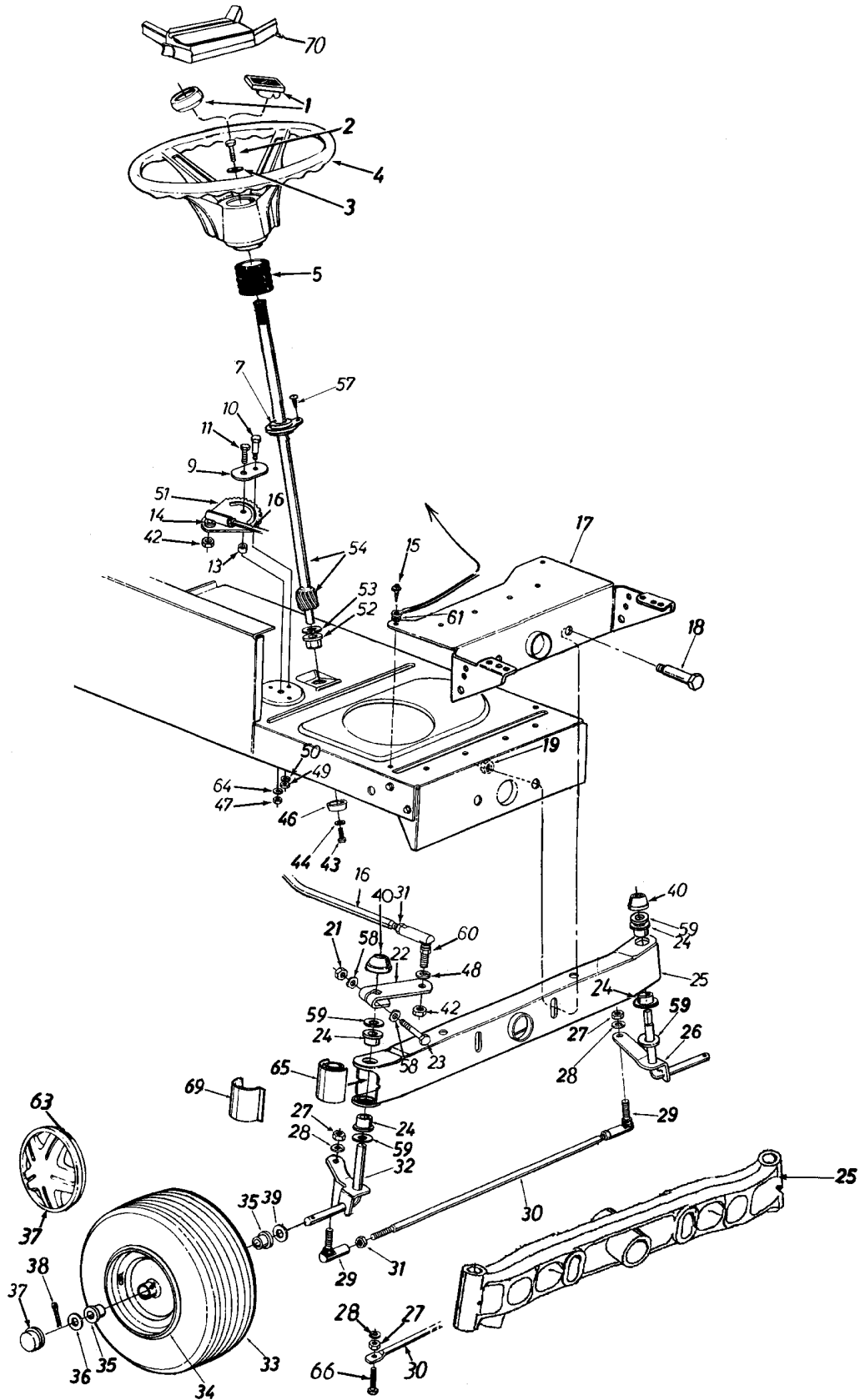
Style 9

REF. NO.	PART NO.	DESCRIPTION	REF. NO.	PART NO.	DESCRIPTION
3	710-0376	Hex Bolt 5/16-18 x .1" Lg.	37	750-0218	Spacer .262" I.D. x .31"
5	710-0603	Hex Wash. Hd. Scr. 5/16" x .5" Lg.	39	16903A	Hood Plate
7	710-0286	Truss Mach. Scr. 1/4-20 x .5" Lg.	40	710-1005	Hex Wash. Hd. Tap Scr. 1/4-20 x .5" Lg.
8	710-0726	Hex Wash. Hd. Tap Scr. 5/16 x .75" Lg.	41	731-1048B	Dash
9	17633A	Support Bracket	42	725-0925	Ammeter
10	17300D	Dash Support Bracket	43	831-0823A	Throttle Control Box Assembly
11	783-0350	Rear Fender	44	710-0919	Mach. Scr. #10 x .44" Lg.
12	730-3000	Reflector **	45	746-0616A	Choke Control 23" Lg.
14	16725	Side Panel—RH †		746-0614A	Choke Control 38" Lg.
	17458A	Side Panel w/Foam—RH		746-3021	Choke Control 29" Lg.
	17459A	Side Panel Assembly w/Foam—LH(Not Shown)		746-0720	Choke Control 20" Lg.
	17309B	Side Panel-LH (Not Shown)	46	746-0776	Throttle Control Wire 18.5" Lg.
15	710-0286	Truss Mach. Scr. 1/4-20 x .5" Lg.		746-0634	Throttle Control Wire 35" Lg.
16	710-0166	Truss Mach. Scr. 1/4-20 x 1.0" Lg.		746-0638	Throttle Control Wire 22" Lg.
17	710-1026	Hex Wash. TT-Tap Scr. 1/4-20 x 1.75"	47	725-0267	Ignition Switch
18	750-0768	Spacer .26" I.D. x 1.32"	48	725-0201	Ignition Key
19	710-0642	Hex Rolling Tap Scr. 1/4-20 x .75" Lg.	49	731-1491A	Hood-Red
21	731-0511-18	Trim Strip-18" Lg.		731-1531A	Hood-Charcoal
22	736-0329	Lock Washer 1/4" I.D.		731-1497A	Hood-Oyster Gray
23	712-0271	Hex Sems Nut 1/4-20 Thd.		731-1704A	Hood-Evergreen
24	726-0201	Speed Nut 5/16" Thd.		731-1893A	Hood-Black
27	17410	Grille Assembly	71	749-0814	Grille Support Tube
28	731-1044	Headlight Lens	73	736-0607	External Lock Washer 5/16" I.D.
29	731-0705	Headlamp Housing	76	17782	Choke Retainer
30	725-0963	Headlamp	77	725-0634	Light Switch
31	725-1650	Twist Lock Lamp Socket	78	736-3010	Flat Washer .406" I.D. x .812" O.D.
32	736-0242	BelLock Washer .345" I.D. x .88"	79	710-0206	Hex Bolt 1/4-20 x .88" Lg.
33	712-0429	Hex Lock Nut 5/16-18 Thd.	80	783-0013	Dash Fastening Tab
34	735-0126	Rubber Washer	81	725-0157	Cable Tie
35	783-0190	Hood Hinge	82	777-8568A	Chrome Label
36	710-0599	Hex Wash.Hd.B-Tap Scr. 1/4-20 x .5"	83	726-0211	U-Nut 5/16-18 Thd.

** Optional Parts

NOTE: For faster service, obtain the standard fasteners locally. If these are not available locally, call 1(800) 800-7310 or 1(330) 220-4MTD to order by part number and size as shown here.

Model 690 through 699

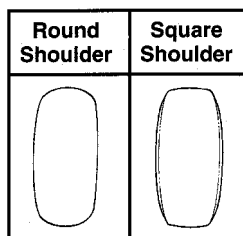


Model 690 through 699

REF NO.	PART NO.	DESCRIPTION	REF NO.	PART NO.	DESCRIPTION
1	731-0220	Steering Wheel Cap	30	747-0753	Tie Rod (Adjustable)
	731-1459A	Steering Wheel Cap (Sq.—MTD)		747-0861	Tie Rod (Non-Adjustable)
	731-1460	Steering Wheel Cap (Sq.—No logo)	31	712-0711	Hex Jam Nut 3/8-24 Thd.
2	710-0643	Hex Bolt 5/16-18 x 1" Lg.	32	—	Front Axle Assembly—RH
3	736-0242	Belleville Wash. .345" I.D.	33	—	Wheel Assembly Comp.
4	731-1693	Steering Wheel (3 Spoke)†	34	—	Front Wheel Rim Only
	731-1687	Steering Wheel (3 Spoke)††	35	—	Bearing
	631-0027	Steering Wheel (4 Spoke)	36	736-0285	Flat Washer .635 I.D. x 1.59" O.D.
5	731-0559A	Steering Bellow—4.5" (Style A)	37	731-0484A	Front Wheel Hub Cap
	731-0954	Steering Bellow—9" (Style 0, 1, 3, 4, 5, 6, 8, 9)		734-1787A	Spoked Hub Cap (Yellow—Opt.)
	731-1542	Steering Bellow—3.25" (Style 7)		734-1613A	Spoked Hub Cap (Gray—Opt.)
6	712-0240	Hex Jam Nut 7/16-20 Thd.	38	714-0470	Spoked Hub Cap (Beige—Opt.)
7	741-0587	Flange Bearing .628" I.D. x 1.36 O.D.	39	736-0162	Cotter Pin 1/8" Dia. x 1.25"
8	723-0448	Ball Joint 7/16-20 Thd.	40	726-0214	Flat Washer .640" I.D. x 1.20" O.D.
9	17198A	Retainer Plate	42	712-0262	Push Cap 5/8" Dia. Rod
10	738-0141	Shoulder Bolt .437 x .35 Lg. 5/16-18	43	710-1309	Hex Jam Nut 3/8-24 Thd.
11	710-0152	Hex Bolt 3/8-24 x 1.0" Lg. (Gr. 5)	46	748-0389	Hex Patch Bolt 5/16-18 x .62" Cap
13	750-0535	Spacer .380" I.D. x .625" O.D.x	47	712-0214	Hex Cent. Lock Nut 3/8-24 Thd.
14	736-0217	Lock Washer 3/8" I.D. (H.D.)	48	736-0169	Lock Washer 3/8" I.D.
15	710-0726	Hex Wash. Hd. Self-Tap Scr.	49	712-0158	Hex Cent. Lock Nut 5/16-18 Thd.
16	711-1107	Steering Drag Link	50	736-0119	Lock Washer 5/16" I.D.
17	783-0041B	Front Pivot Brkt.	51	717-0622A	Steering Gear Segment
18	738-0527	Shoulder Bolt	52	741-0656	Hex Flg. Brg. .634 I.D.
19	712-0431	Flanged L- Nut 3/8-16 Thd.	53	736-0187	Flat Washer (Hardened)
21	712-0411	Hex Lock Nut 5/16-24 Thd.	54	738-0919	Steering Shaft
22	16481A	Steering Arm Front Axle	57	710-0837	Oval Hd. C.Sunk Scr. (Style A)
23	710-0593	Hex Bolt 5/16-24 x 2.25" Lg.	58	736-0271	Wave-Wash. .32" I.D. x .62" O.D.
24	741-0659	Hex Flg. Brg. .632 I.D.	59	736-0187	Flat Washer (Hardened)
25	683-0128A	Pivot Bar Assembly (Steel)	60	723-0448	Drag Link Ball Joint 7/16-20 Thd.
	719-0342A	Pivot Bar Assembly (Cast Iron)	63	727-0425A	Spring Clip (Used w/Spoked Hub Cap)
	—	Grease Fitting (Cast Iron)	64	736-0356	Washer .39" I.D. x 1.38" O.D.
26	—	Front Axle Assembly—LH	65	731-1291A	Pivot Bar End Cap (If equipped)
27	712-0241	Hex Nut 3/8-24 Thd.	66	710-0459	Hex Bolt 3/8-24 x 1.5" Lg. (Gr. 5)
28	736-0169	Lock Washer 3/8" I.D.	69	731-1649	Axle Cap
29	723-3018	Ball Joint 3/8-24 Thd.	70	731-0955	Steering Wheel Insert (If equipped)

**FRONT WHEEL CHART

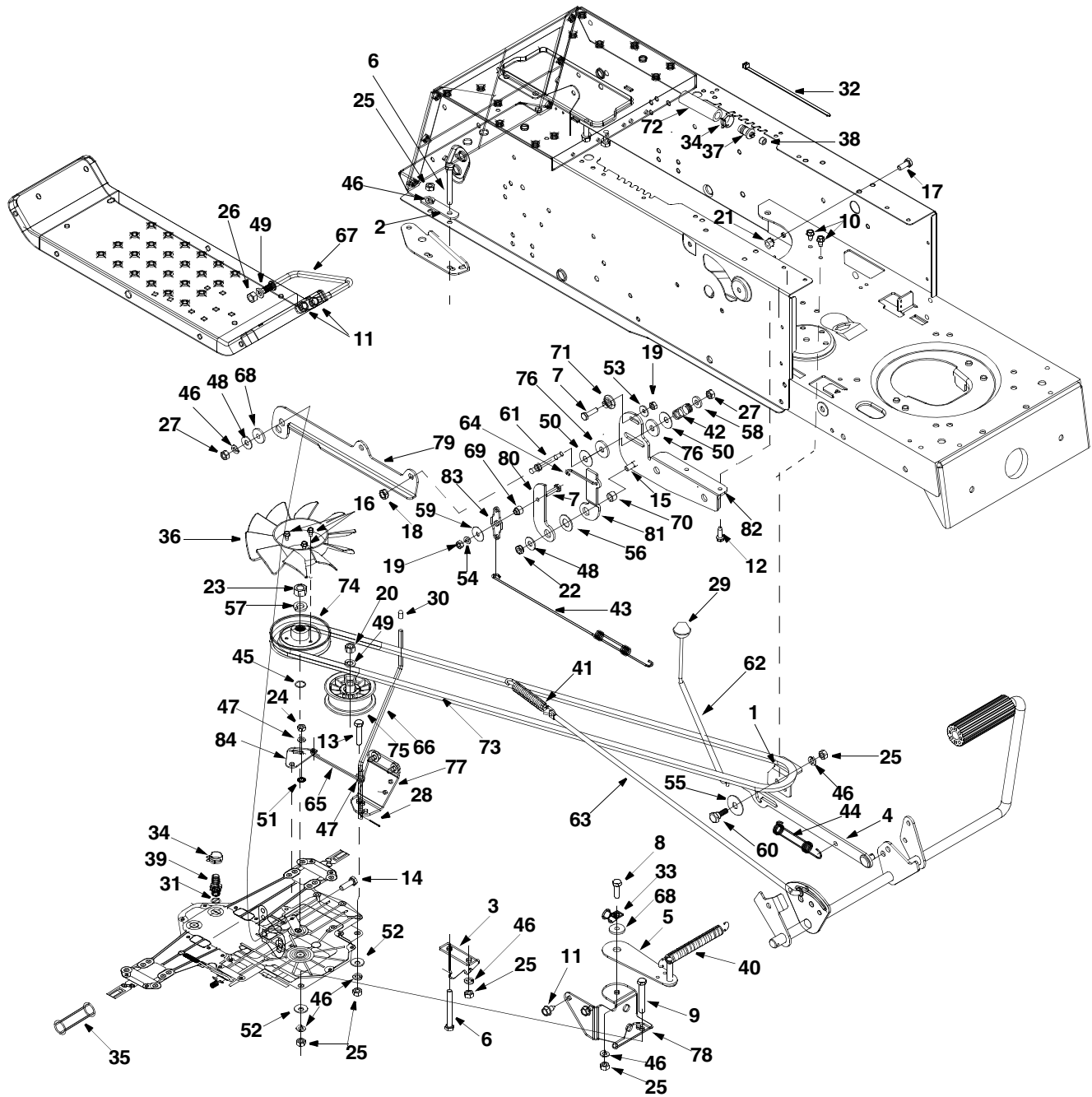
† Uses Round Steering Wheel Cap
 †† Uses Square Steering Wheel Cap



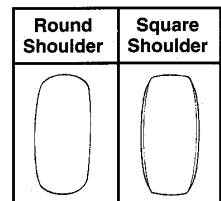
NOTE: For faster service, obtain the standard fasteners locally. If these are not available locally, call 1(800) 800-7310 or 1(330) 220-4MTD to order by part number and size as shown here.

Description	15" x 6" (Round Shoulder)	15" x 6" (Square Shoulder)
Wheel Assembly Comp.	634-0056A	634-0105
Tire Only	734-0864	734-1731
Rim Only	634-0172	634-0024
Bearing	741-0487A	741-0487A
	741-0706 (in kit)	753-0845
Air Valve	734-0255	734-0255
Grease Fitting (If equipped)	737-0211A	737-0211A
Grease Plug	737-0212A	737-0212A
Front Axle Assembly—LH	683-0127	683-0127
Front Axle Assembly—RH	683-0126	683-0126
Front Axle Assembly—LH (46" Deck)	683-0124	683-0124
Front Axle Assembly—RH (46" Deck)	683-0125	683-0125

Model 690 through 699



Description	20" x 8" (Round Shoulder)	20" x 8" (Square Shoulder)
Wheel Assembly Comp.	734-1675	634-0104
Tire Only	734-1596	734-1730
Rim Only	634-0070	634-0070

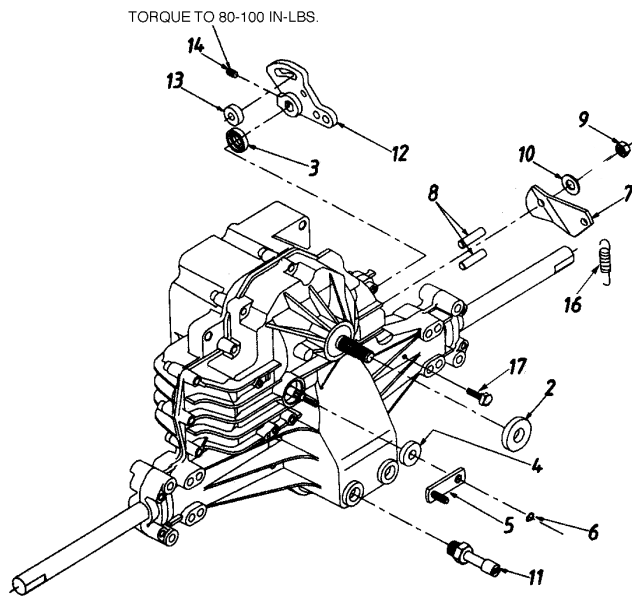


Model 690 through 699

REF. NO.	PART NO.	DESCRIPTION	REF. NO.	PART NO.	DESCRIPTION
1.	17755A	Hydrostatic Bracket	43.	732-0727	Neutral Return Spring
2.	17840	Transaxle Mounting Bracket	44.	732-0728	Extension Spring
3.	17994	Retainer Bracket	45.	732-0729	Wire Ring
4.	683-0049	Lockout Bracket	46.	736-0119	Lock Washer
5.	683-0051	Flat Idler Bracket	47.	736-0142	Flat Washer
6.	710-0176	Hex Screw 5/16-18 x 1.0"	48.	736-0159	5/16 Washer
7.	710-0299	Hex Screw 1/4-28 x 1.0" Special	49.	736-0169	Lock Washer
8.	710-0376	Hex Screw 5/16-18 x 1.0"	50.	736-0219	Bell Washer
9.	710-0395	Hex Screw 5/16-18 x 2.25"	51.	736-0222	Lock Washer
10.	710-0599	TT Screw 1/4-20 x 0.5"	52.	736-0242	Beleville Washer
11.	710-0604A	TT Screw 5/16-18 x 0.625"	53.	736-0270	Bell Washer
12.	710-0642	TT Screw 1/4-20 x 0.75"	54.	736-0329	Lock Washer
13.	710-0805	Hex Screw 5/16-18 x 1.5"	55.	736-0406	Flat Washer
14.	710-0888	Hex Screw 5/16-24 x 1.0"	56.	736-0414	Flat Washer
15.	710-1012	Hex Screw 5/16-18 x 1.0"	57.	736-0921	Lock Washer
16.	710-3007	C Screw #12-24 x 0.375"	58.	736-3008	Flat Washer
17.	710-3008	Hex Screw 5/16-18 x 0.75"	59.	736-3092	Flat Washer
18.	712-0116	Jam Nut	60.	738-0296	Shoulder Screw .437 x .286
19.	712-0138	Hex Nut 1/4-28	61.	738-0879	Friction Disc Stud
20.	712-0241	Hex Nut 3/8-24	62.	747-0608A	Brake Lockout Rod
21.	712-0265	Sems Nut	63.	747-0886	Brake Rod
22.	712-0273	Hex Lock Nut 5/16-24	64.	747-0887	Neutral Return Rod
23.	712-0333	Hex Nut 1/2-20	65.	747-0893	Rod: Bypass Actuator
24.	712-3006	Hex Nut	66.	747-0894	Lever: Bypass Control
25.	712-3010	Hex Nut 5/16-18	67.	747-1216	Stop Pedal Rod
26.	712-3017	Hex Nut 3/8-16	68.	748-0234	Shoulder Spacer
27.	712-3057	Hex Nut 5/16-24	69.	748-0368	Shoulder Spacer
28.	714-0127	Cotter Pin	70.	750-0808	Spacer
29.	720-0166	Knob	71.	750-0918	Centering Gauge Spacer
30.	720-0238	Dipped Cap	72.	751-0588	Fuel Line
31.	721-0330	O Ring	73.	754-0441	V Belt
32.	725-0157	Cable Tie	74.	756-0975	Transmission Pulley
33.	726-0272	Clamp	75.	756-0981	Flat Idler
34.	726-0324	Fuel Clamp	76.	761-0196	Friction Washer
35.	731-1086A	Sleeve	77.	783-0085	Transaxle Support Bracket
36.	731-1449A	Blade Fan	78.	783-0086A	Transaxle Support Bracket
37.	731-1480	Plastic Vent	79.	783-0090A	Neutral Return Bracket
38.	731-1481	Plastic Vent Cap	80.	783-0092	Flat Scissor
39.	731-1485	Hose Fitting	81.	783-0093	Offset Scissors
40.	732-0384	Extension Spring	82.	783-0095	Mounting Bracket: Neutral Return
41.	732-0716	Extension Spring	83.	783-0096	Lever: Neutral Return
42.	732-0718	Compression Spring	84.	783-0098	Adjustment Bracket

NOTE: For faster service, obtain the standard fasteners locally. If these are not available locally, call 1(800) 800-7310 or 1(330) 220-4MTD to order by part number and size as shown here.

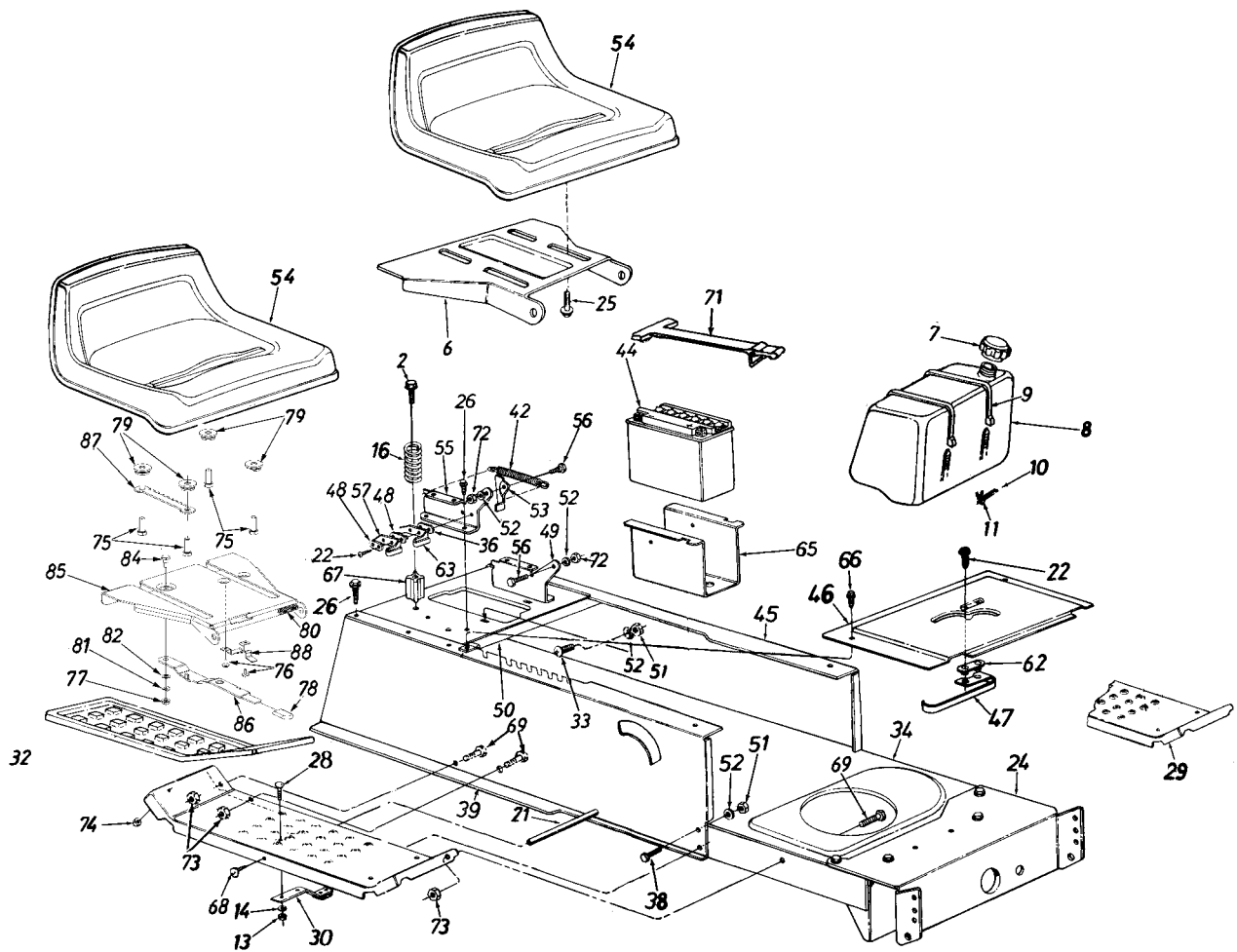
Model 690 through 699



REF NO.	PART NO.	DESCRIPTION
1	718-0255A	Transmission Comp.
2	HG-9008000-0128	Seal—Lip
3	HG-9008000-0126	Seal—Lip
4	HG-45074	Seal—Lip 10X25X7
5	HG-50126	Bypass Arm
6	HG-44870	Retaining Ring
7	HG-44094	Actuating Arm
8	HG-44891	Actuating Pin
9	72-0329	Nut-Hex Lock 5/16-24
10	736-0371	Washer 7/16" x 7/8" x .06"
11	HG-50042	Breather Assembly
12	HG-45007	Arm—Control
13	HG-50034	Puck—Dampener
14	HG-50018	Set Screw
16	HG-50384	Extension Spring
17	HG-50653	Self Tapping Scr. #10-32

NOTE: For faster service, obtain the standard fasteners locally. If these are not available locally, call 1(800) 800-7310 or 1(330) 220-4MTD to order by part number and size as shown here.

Model 690 through 699



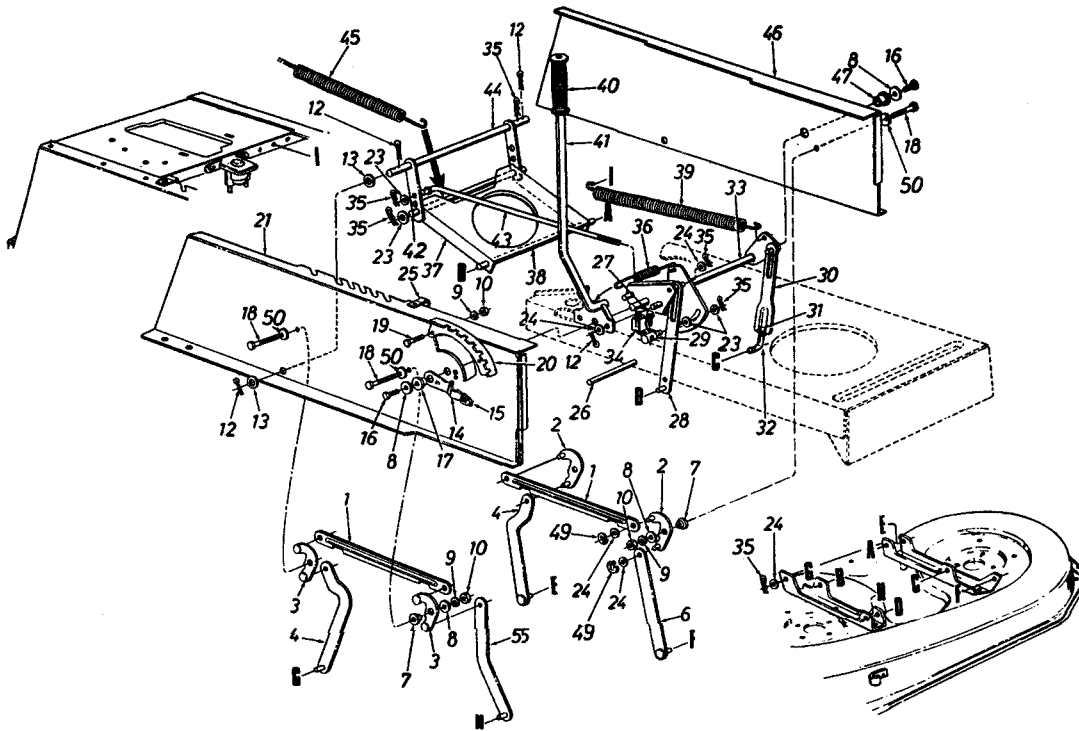
Model 690 through 699

REF. NO.	PART NO.	DESCRIPTION	REF. NO.	PART NO.	DESCRIPTION
2	710-1208	Hex Tap Scr. 5/16-18 x 3.25"	53	17239A	Seat Lift Brkt.
6	783-0039A	Seat Pivot Bracket	54	757-0363A	Seat 8-7/8" High
7	751-0603	Fuel Cap		757-0364A	Seat 8-7/8" High (Yellow)
8	751-0555	Fuel Tank (1.5 Gal)		757-0360A	Seat 10-5/8" High
	751-0657	Fuel Tank (3 Gal.)		757-0365	Seat 10-5/8" High (Yellow)
9	726-0209	Tie Strap		757-0348A	Seat 14-1/4" High
10	751-0535-15	Fuel Line		757-0372	Seat 14-1/4" High (Yellow)
11	726-0205	Hose Clamp		757-0350	Seat 14-1/4" High w/ Drain Holes
13	712-0287	Hex Nut 1/4-20 Thd.	55	17950A	Seat Pivot Brkt. Support—RH
14	736-0329	Lock Washer 1/4" I.D.	56	738-0296	Shld. Bolt .437" Dia. x .268"
16	732-0735	Compression Spring	57	725-1303	Spring Switch (Seat—Outer)
21	738-0526	Running Board Rod	59	710-0650	Hex TT-Tap Scr. 5/16-18 x 7/8"
22	710-0227	Hex AB-Tap Scr. #8 x .50" Lg.	63	725-1439	Safety Switch (Seat—Inner)
23	726-0139	Speed Nut #10Z	65	783-0345	Battery Tray
24	783-0041A	Front Pivot Brkt.	66	710-0351	Truss Mach. B-Tap Scr.#10 x .5" Lg.
25	710-0870	Hex Tap Scr. 3/8-16 x .62" Lg.	67	748-0347	Spring Spacer
26	710-0726	Hex Wash. Hd. AB-Tap Scr.5/16 x .75"	68	710-0323	Truss Mach. Scr. 5/16-18 x .75"
28	710-0134	Carriage Bolt 1/4-20 x .62"	69	710-3008	Hex Bolt 5/16-18 x .75" Lg.
29	17770D	Running Board (RH & LH)	70	731-0405	Snap Bushing
30	761-0168B	Blade Brake Assembly	71	723-3064	Battery Retainer Strap
32	731-0909	Rubber Foot Pad—LH**	72	712-3010	Hex Nut 5/16-18 Thd.
	731-0910	Rubber Foot Pad—RH**	73	712-0265	Hex Sems Nut 5/16-18 Thd.
	723-0422	Abrasive Foot Pad**	74	712-0271	Hex Sems Nut 1/4-20 Thd.
34	783-0310C	Lower Frame	75	738-1007	Shouler Screw 3/8-16 x .5**
36	726-0278	Insulator Boss Plate	76	710-1268	Hex Wash. B-Tap Scr. #10-16 x .38" **
37	736-0264	Flat Washer .344" I.D. x .625" O.D.	77	712-3027	Hex Flanged Lock Nut 1/4-20 Thd. **
38	710-3008	Hex Bolt 5/16-18 x .75" Lg.	78	720-0309A	Seat Adjustable Grip **
39	783-0042A	Upper Frame—RH	79	731-1989	Spacer **
42	732-0581B	Extension Spring 5.31" Lg.	80	732-0499	Compression Spring 1.5" Lg. **
44	725-1706	12-V Battery	81	736-0175	Spring Washer .265" I.D. x .56" O.D. **
45	783-0043	Upper Frame—LH	82	736-0204	Flat Washer .344" I.D. x .62" O.D. **
46	783-0133B	Shift Cover	84	738-0137A	Shld. Bolt .34" x 1/4 -20 Thd. **
48	726-0279	Insulator Plate	85	783-0607A	Seat Pivot Bracket **
49	1795A	Seat Pivot Brkt. Support—LH	86	783-0609	Seat Lever **
50	783-0355A	Hitch Plate	87	783-0753	Seat Selector **
51	712-0267	Hex Nut 5/16-18 Thd.	88	783-0611	Seat Stop **
52	736-0119	Lock Washer 5/16" I.D.			

** Optional Parts

NOTE: For faster service, obtain the standard fasteners locally. If these are not available locally, call 1(800) 800-7310 or 1(330) 220-4MTD to order by part number and size as shown here.

Model 690 through 699

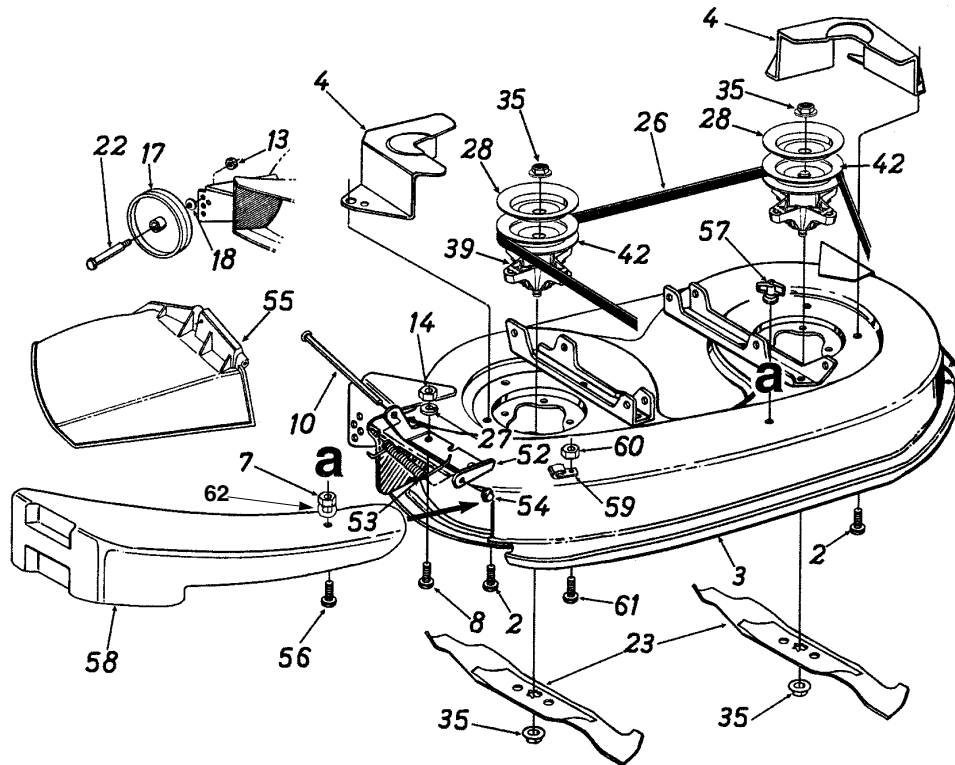


REF. NO.	PART NO.	DESCRIPTION	REF. NO.	PART NO.	DESCRIPTION
1	783-0103	Connecting Rod	27	710-3007	Hex Wash. Hd. Tap Scr.
2	683-0029A	Pivot Link Assembly—LH	28	14802A	Link Deck Lift Assembly
3	683-0028A	Pivot Link Assembly.—RH	29	711-0723A	Adj. Ferrule 3/8-24 Thd.
4	17710	Deck Hanger Link Assembly	30	17712	Adj. Deck Lift Link
5	14800A	Deck Hanger Link Assembly	31	712-3066	Hex Nut 1/2-20 Thd.
6	14804A	Deck Hanger Link Assembly	32	711-0841	Lift Link Adjuster
7	748-0331	Shld. Spacer .318" I.D.	33	17637A	Lift Shaft Assembly
8	736-0231	Flat Washer .344" I.D. x 1.125" O.D.	34	725-1657A	Safety Switch (Deck)
9	736-0119	Lock Washer 5/16" I.D.	35	714-0145	Inter. Cotter Pin 3/8" Dia.
10	712-3010	Hex Nut 5/16-18 Thd.	36	732-0637	Extension Spring
12	714-0470	Cotter Pin 1/8" Dia.	37	17636C	Stabilizer Bracket
13	736-0256	Flat Washer .635" I.D. x 1.0" O.D.	38	738-0670A	Shaft 1/2" Dia. x 10.28" Lg.
14	683-0003	Hgt Adj. Stop Lever Assembly**	39	732-0638	Extension Spring
15	08540	Knob**	40	720-0233	Grip (Lift Handle)
16	710-0604A	Hex Wash. TT-Tap Scr. 5/16-18 x .625"	41	97675A	Deck Lift Handle Assembly.
17	748-0176	Flange Bearing .63" I.D.**	42	738-0669	Shaft 3/8" Dia. x 9.34" Lg.
18	710-1238	Hex Wash. Hd. Scr. 5/16-18x .875"	43	747-0598	Disengagement Rod
19	710-3008	Hex Bolt 5/16-18 x .75" Lg.	44	97624	Stabilizer Shaft Assembly.
20	17730	Index Brkt.	45	732-0556	Extension Spring 7.58" Lg.
21	783-0042B	Upper Frame—RH	46	783-0043	Upper Frame—LH
23	736-0267	Flat Washer .385" I.D. x .87" O.D.	47	741-0487A	Flange Brg. .632" I.D.
24	736-0160	Flat Washer .531" I.D. x .93" O.D.	48	17128A	Spring Retainer Brkt.
25	726-0272	Clamp	49	716-0104	"E"-Ring
26	738-0526	Running Board Rod	50	736-0425	Washer .325" I.D.

** Optional Parts

NOTE: For faster service, obtain the standard fasteners locally. If these are not available locally, call 1(800) 800-7310 or 1(330) 220-4MTD to order by part number and size as shown here.

Deck F



REF. NO.	PART NO.	DESCRIPTION	REF. NO.	PART NO.	DESCRIPTION
2	710-1260A	Hex Wash. Hd. TT-Tap Scr. 5/16-18 x .75"	33	710-0157	Hex Bolt 5/16-24 x .75" Lg.
3	683-0129	38" Deck Assembly **	35	712-0417A	Hex Flange Nut 5/8-18 Thd.†
	753-0694	38" Deck Ass'y. Comp. (for service only) **	39	618-0138	Blade Spindle Ass'y. (Incl. Ref. 28, 35, 42)
4	783-0343A	Belt Guard Deck	42	756-0969	5" Dia. Pulley†
7	712-3006	Hex Lock Nut 1/4-20 Thd.††	52	703-1693	Hinge Mtg. Brkt.
8	710-0751	Hex Bolt 1/4-20 x .62"	53	732-0602	Torsion Spring
10	711-0792	Hinge Pin	54	726-0106	Push Nut
13	712-0181	Hex Top Lock Nut 3/8-16 Thd.	55	731-1032	Chute Ass'y. (Incl. Ref.10, 52, 53, 54, 55)
14	712-3006	Hex Nut 1/4-20 Thd. (Gr. 5)	56	710-0597	Hex Bolt 1/4-20 x 1" Lg.††
17	734-0973	Deck Wheel 5"	57	712-3087	Wing Nut 1/4-20 Thd. ††
18	736-0105	Washer .40" I.D. x .88" O.D.	58	731-1643A	Mulching Plug††
22	738-0373	Shld. Bolt .498" Dia. x 1.53"	59	16606	Retainer Hook Brkt.
23	742-0610	3 in 1 Blade	60	712-0271	Hex Sems Nut 1/4-20 Thd.
26	754-0329A	V-Belt	61	710-0751	Hex Bolt 1/4-20 x .62" Lg.
27	736-0270	Washer 1/4" I.D.	62	736-0173	Flat Washer .28 ID x .74 OD
28	783-0342	Brake Disc			

† Deck pulleys and blade nuts must be torqued to 100 ft. lbs. if removed or replaced.

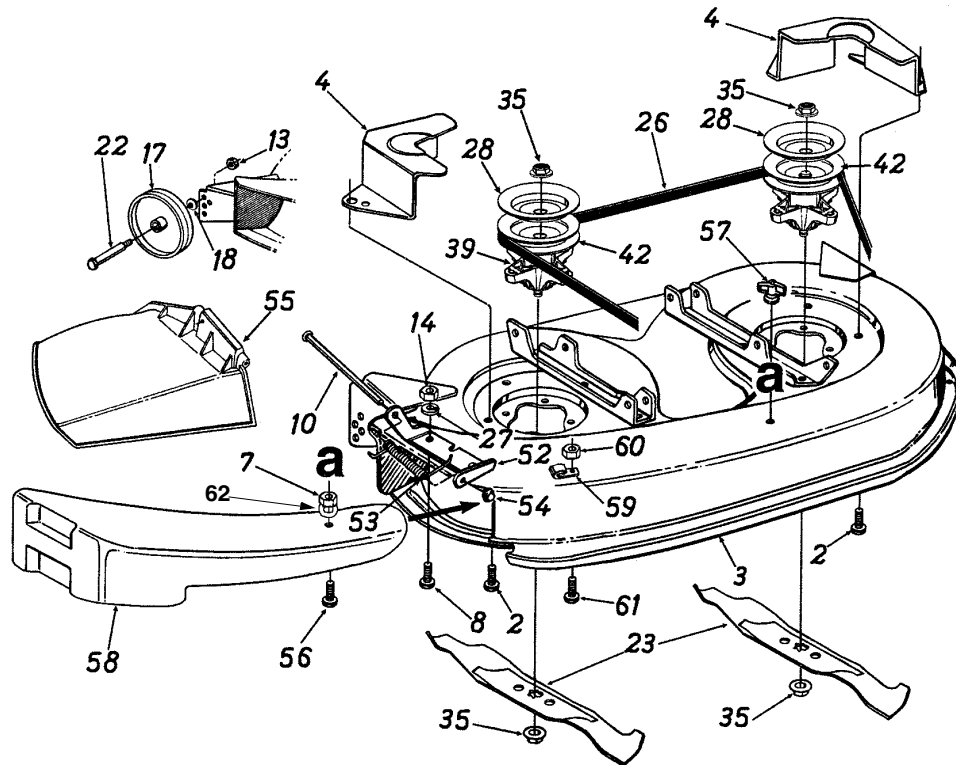
†† If equipped

** Must be ordered with 4 digit color code.

IMPORTANT: For a proper working machine, use Factory Approved Parts.

V-BELTS are specially designed to engage and disengage safely. A substitute (non OEM) V-belt can be dangerous by not disengaging completely.

Deck G



Ref. No.	Part No.	Description	Ref. No.	Part No.	Description
2	710-1260A	Hex Wash. TT-Tap Scr. 5/16-18 x .75"	33	710-0157	Hex Bolt 5/16-24 x .75" Lg.
3	683-0141A	42" Deck Assembly **	35	712-0417A	Hex Flange Nut 5/8-18 Thd.†
	753-0698	42" Deck Assembly Comp. **	39	618-0142	Blade Spindle Assembly (Incl. Ref. 28, 35, 42)
4	783-0149	Belt Guard Deck	42	756-0980	5.75" Dia. Pulley†
7	712-3006	Hex Lock Nut 1/4-20 Thd.††	52	703-1693	Hinge Mtg. Brkt.
8	710-0751	Hex Bolt 1/4-20 x .62"	53	732-0602	Torsion Spring
10	711-0792	Hinge Pin	54	726-0106	Push Nut
13	712-0181	Hex Top Lock Nut 3/8-16 Thd.	55	731-1032	Chute Ass'y. (Incl. Ref.10, 52, 53, 54, 55)
14	712-3006	Hex Nut 1/4-20 Thd. (Gr. 5)	56	710-0597	Hex Bolt 1/4-20 x 1" Lg.††
17	734-0973	Deck Wheel—5"	57	712-3087	Wing Nut 1/4-20 Thd.††
18	736-0105	BelLock Washer .40" I.D. x .88" O.D.	58	731-1643A	Mulching Plug††
22	738-0373	Shld. Bolt .498" Dia. x 1.53"	59	16606	Retainer Hook Brkt.
23	742-0616	3 in 1 Blade	60	712-3027	Hex Flg. Nut 1/4-20 Thd.
26	754-0371A	V-Belt	61	710-0751	Hex Bolt 1/4-20 x .62" Lg.
27	736-0270	Washer 1/4" I.D.	62	736-0173	Flat Washer .28 I.D. x .74 O.D.
28	783-0342	Brake Disc			

† Deck pulleys and blade nuts must be torqued to 100 ft. lbs. if removed or replaced.

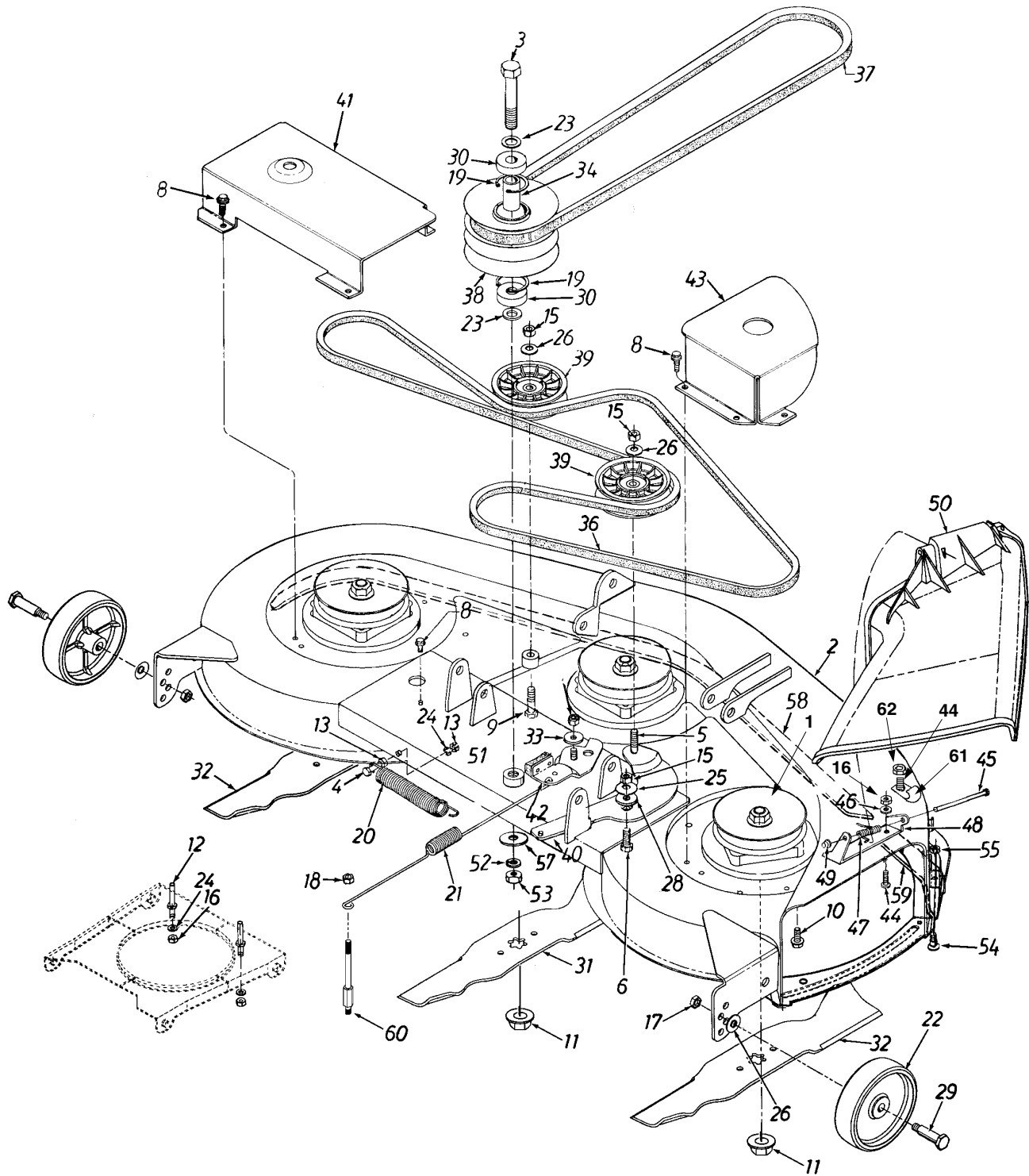
†† If equipped

** Must be ordered with 4 digit color code.

IMPORTANT: For a proper working machine, use Factory Approved Parts.

V-BELTS are specially designed to engage and disengage safely. A substitute (non OEM) V-belt can be dangerous by not disengaging completely.

Deck H



Deck H

Ref. No.	Part No.	Description	Ref. No.	Part No.	Description
1	618-0240	Blade Spindle Assembly	32	742-0644	Blade 16.28" Lg.
2	983-0120A	46" Deck Assembly **	33	748-0234	Shoulder Spacer
	913-06921	46" Deck Ass'y. Comp. (For Service) **	34	750-0932A	Spacer .635" I.D. x .088" O.D.
3	710-3151	Hex Bolt 5/8-18 x 4.25" Lg.	36	754-0440	V-Belt
4	710-0428	Hex Bolt 1/4-28 x 1.25" Lg.	37	754-0439	V-Belt
5	710-0459A	Hex Bolt 3/8-24 x 1.5" Lg.	38	756-0638	Pulley Double Deck 5" O.D.
6	710-1039	Hex Bolt 3/8-24 x 1" Lg.	39	756-0627	Flat Idler Pulley 3.5 O.D.
8	710-0599	Hex Wash. Hd. TT-Tap Scr. 1/4-20 x .5"	40	783-0046	Idler Deck Bracket
9	710-0151	Hex Bolt 3/8-24 x 2" Lg.	41	783-0063A	Belt Cover—LH
10	710-1260A	Hex Flange Bolt 5/16-24 x .75" Lg.	42	17116	Deck Brake Brkt. Assembly
11	712-0417A	Hex Flange Lock Nut 5/8-18 Thd.	43	17258A	Belt Cover Brkt.—RH
12	711-0993	Belt Guard Pin	44	710-0751	Hex Bolt 1/4-20 x .62" Lg.
13	712-0138	Hex Nut 1/4-28 Thd.	45	711-0792	Hinge Pin
14	712-0429	Hex Ins. Lock Nut 5/16-18 Thd.	46	736-0270	BelLock Washer 1/4" I.D.
15	712-0241	Hex Nut 3/8-24 Thd.	47	732-0602	Torsion Spring
16	712-3006	Hex Nut 1/4-20 Thd. (Gr. 5)	48	703-1693	Hinge Mtg. Brkt.
17	712-0181	Hex Top Jam Nut 3/8-16 Thd.	49	726-0106	Push Nut
18	712-0158	Hex Center Lock Nut 5/16-18 Thd.	50	731-1032	Chute Assembly Comp. (Incl. Ref. 45, 47, 48, 49, 50)
19	716-3020	Int. Snap Ring	51	750-0960	Spacer .635" I.D. x 1" O.D.
20	732-0594A	Ext. Spring .88" O.D. x 6.17"	52	736-0158	Lock Washer 5/8" I.D.
21	732-0723	Ext. Spring .788" O.D. x 15.5"	53	712-0337	Hex Nut 5/8-18 Thd.
22	734-0973	Deck Wheel	54	710-0167	Carriage Bolt 1/4-20 x .5" Lg.
23	736-0290	Flat Washer .635" I.D. x 1" O.D. x .06"	55	712-0271	Hex Sems Nut 1/4-20 Thd.
24	736-0329	Lock Washer 1/4" I.D.	57	736-3088	Flat Washer .635" I.D.
25	736-0331	BelLock Washer 3/8" x 1.125" x .062"	58	783-0141	Center Deck Skirt
26	736-0105	BelLock Washer 3/8" x .87" x .064"	59	783-0142	Deck Skirt—RH
28	738-0347	Shoulder Spacer .625" I.D. x .169"	60	738-0999	Return Spring Stud
29	738-0373	Shld. Bolt .498" x 1.525"	61	16606	Retainer Hook Bracket
30	741-0524	Ball Brg. .625" I.D. x 1.574" O.D. x .47"	62	712-3027	Hex Lock Nut 1/4-20
31	742-0645	Blade 14.88" Lg.			

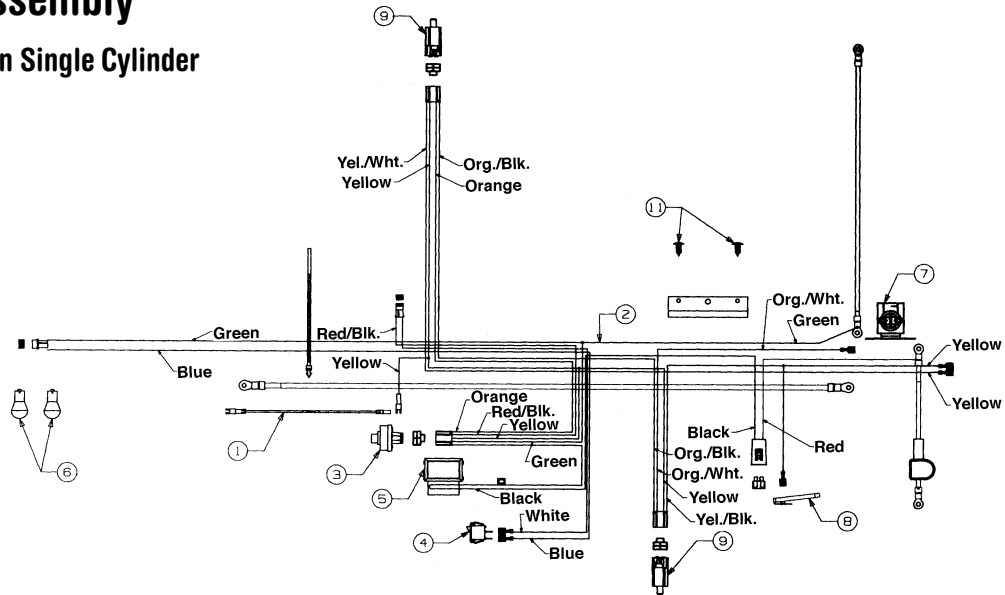
** Must be ordered with 4-digit color code.

IMPORTANT: For a proper working machine, use Factory Approved Parts.

V-BELTS are specially designed to engage and disengage safely. A substitute (non OEM) V-belt can be dangerous by not disengaging completely.

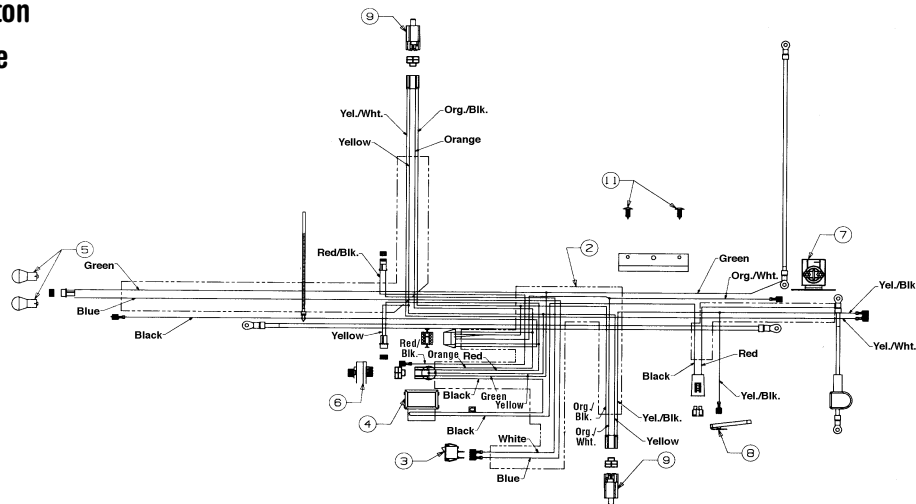
Harness Assembly

Briggs & Stratton Single Cylinder



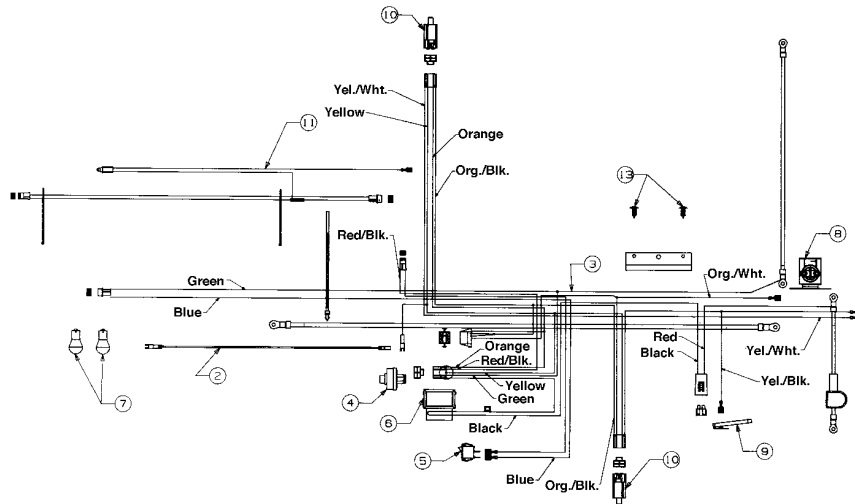
Ref. No.	Part No.	Description	Ref. No.	Part No.	Description
1	629-0207	Harness Adapter (Mag.)	6	725-0963	Bulb (Headlight)
2	629-0302B	Wire Harness w/Light Switch and Amp	7	725-1426	Solenoid
	629-0301B	Wire Harness w/o Light Switch and Amp	8	725-1643	Safety Switch (Reverse)
3	725-0267	Ignition Switch	9	725-1657A	Safety Switch
4	725-0634	Light Switch (If equipped)	11	726-3046	Ratchet
5	725-0925	Ammeter (If equipped)			

Briggs & Stratton Overhead Valve



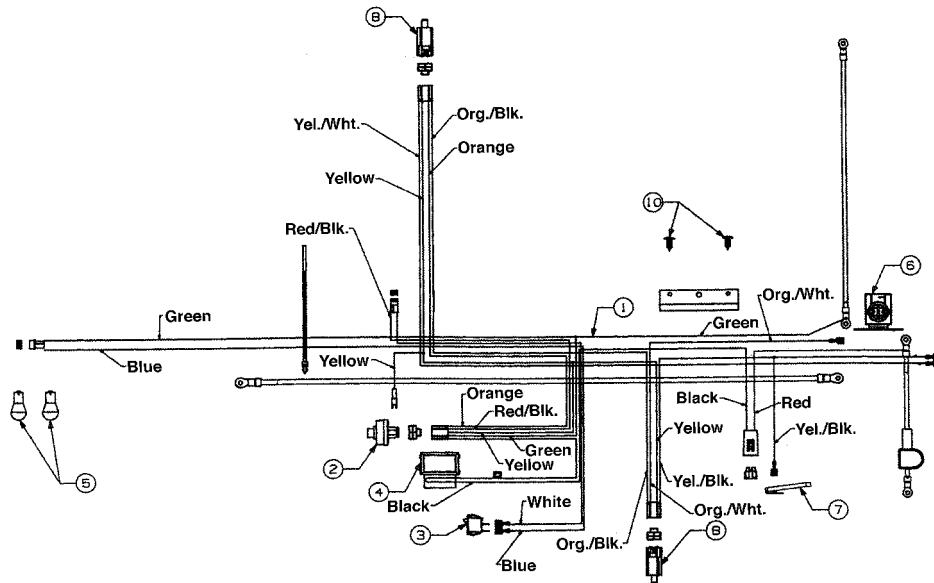
Ref. No.	Part No.	Description	Ref. No.	Part No.	Description
2	629-0305B	Wire Harness w/Light Switch and Amp	7	725-1426	Solenoid
	629-0304B	Wire Harness w/o Light Switch and Amp	8	725-1643	Safety Switch (Reverse)
3	725-0634	Light Switch (If equipped)	9	725-1657A	Safety Switch
4	725-0925	Ammeter (If equipped)	11	726-3046	Ratchet
5	725-0963	Bulb (Headlight)			
6	725-1396	Ignition Switch			

**Briggs & Stratton
Twin Cylinder**



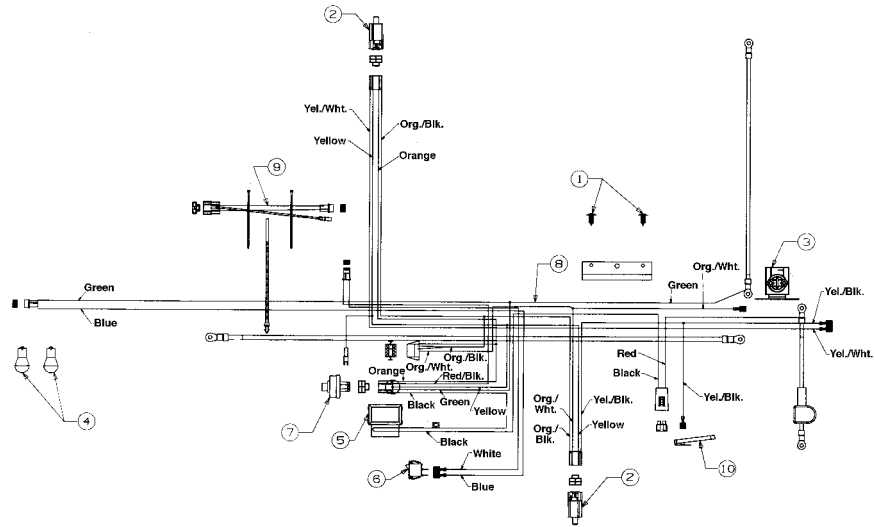
Ref. No.	Part No.	Description	Ref. No.	Part No.	Description
2	629-0208	Harness Adapter	8	725-1426	Solenoid
3	629-0302B	Wire Harness w/Light Switch & Amp	9	725-1643	Safety Switch (Reverse)
	629-0301B	Wire Harness w/o Light Switch & Amp	10	725-1657A	Safety Switch
4	725-0267	Ignition Switch	11	629-0125	Harness Adapter (Alt.)
5	725-0634	Light Switch	13	726-3046	Ratchet
6	725-0925	Ammeter			
7	725-0963	Bulb			

Tecumseh



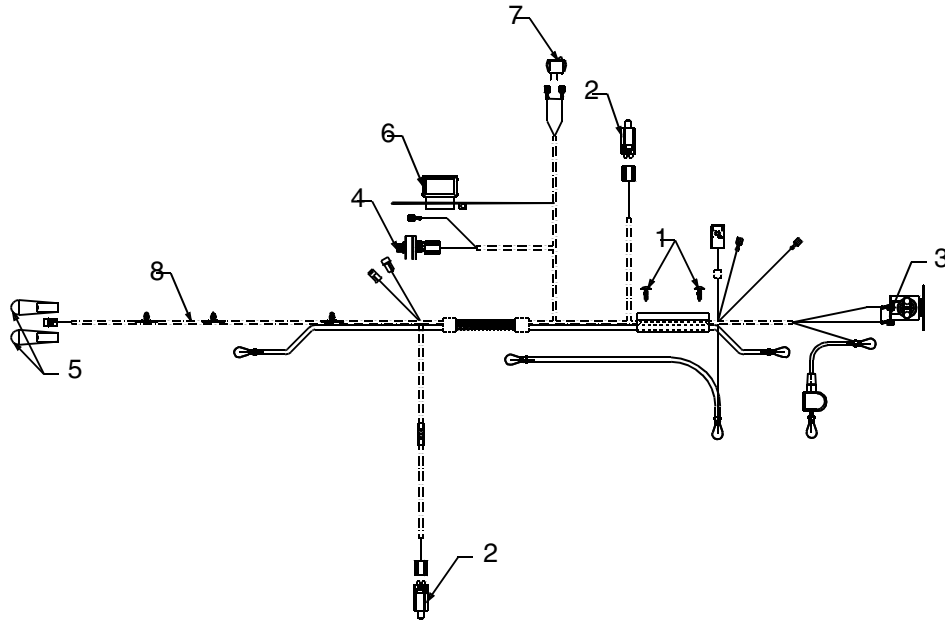
Ref. No.	Part No.	Description	Ref. No.	Part No.	Description
1	629-0302B	Wire Harness w/Light Switch & Amp	6	725-1426	Solenoid
	629-0301B	Wire Harness w/o Light Switch & Amp	7	725-1643	Safety Switch (Reverse)
2	725-0267	Ignition Switch	8	725-1657A	Safety Switch
3	725-0634	Light Switch (If equipped)	10	726-3046	Ratchet
4	725-0925	Ammeter (If equipped)			
5	725-0963	Bulb (Headlight)			

Kohler



Ref. No.	Part No.	Description	Ref. No.	Part No.	Description
1	726-3046	Ratchet	6	725-0634	Light Switch
2	725-1657A	Safety Switch	7	725-0267	Ignition Switch
3	725-1426	Solenoid	8	629-0303B	Wire Harness
4	725-0963	Bulb (Headlight)	9	629-0209	Wire Harness Adapter
5	725-0925	Ammeter	10	629-0132	Wire Harness (Monitor)

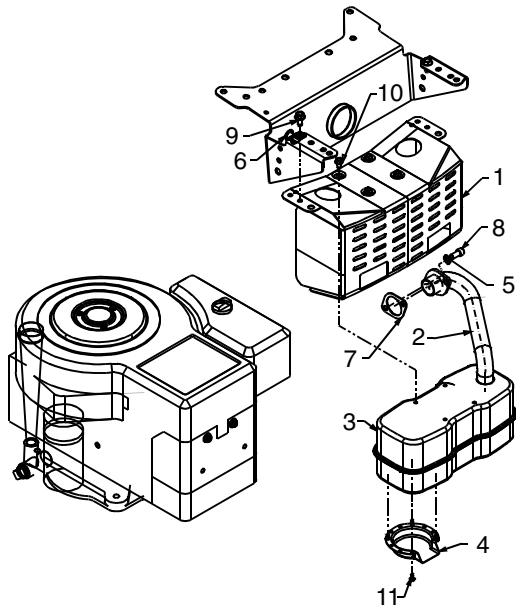
Intek Twin



Ref. No.	Part No.	Description	Ref. No.	Part No.	Description
1	726-3046	Ratchet	6	725-0925	Ammeter
2	725-1657A	Safety Switch	7	725-0634	Light Switch
3	725-1426	Solenoid	8	629-0305B	Wire Harness w/Lt./Amp
4	725-1396	Ignition Switch		629-0306B	Wire Harness w/Lt./Amp/Mon.
5	725-0963	Bulb (Headlight)			

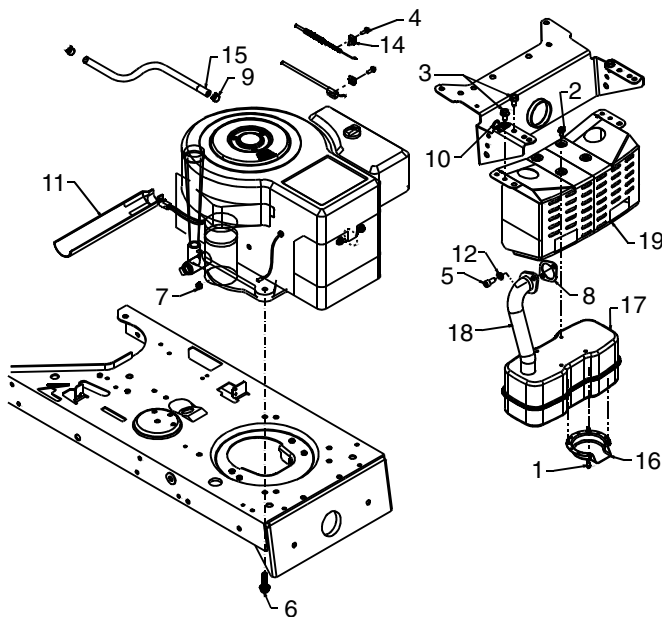
Engine

Briggs & Stratton Single Cylinder



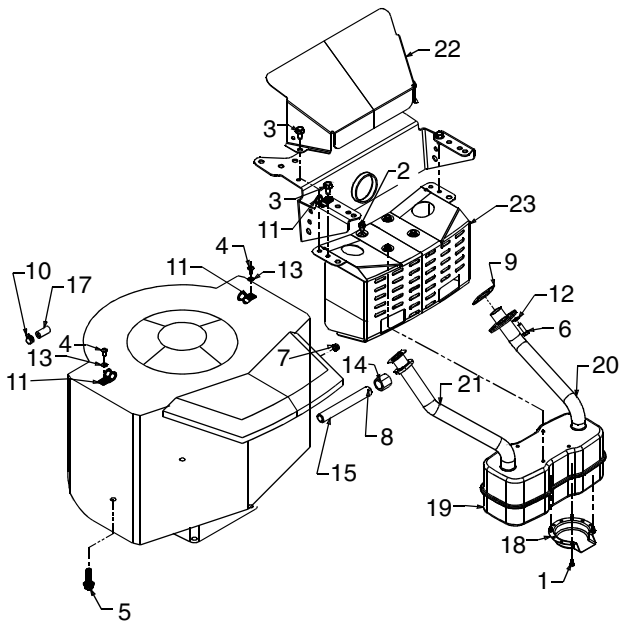
Ref. No.	Part No.	Description
1	783-0615	Muffler Bracket
2	751-0618	Exhaust Pipe
3	751-0617	Muffler
4	751-0564	Muffler Deflector
5	736-0119	Lock Washer 5/16" I.D.
6	726-0272	Clamp
7	721-0208	Exhaust Gasket
8	710-1314	Socket Hd. Bolt 5/16-18 x .62" Lg.
9	710-0604	Hex Wash Hd. TT-Tap Scr. 5/16-18 x .62"
10	710-0599	Hex Wash. TT-Tap Scr. 1/4-20 x .5" Lg.
11	710-0148	Hex Slot Scr. #8-32 x .38" Lg.

Briggs & Stratton Overhead Valve



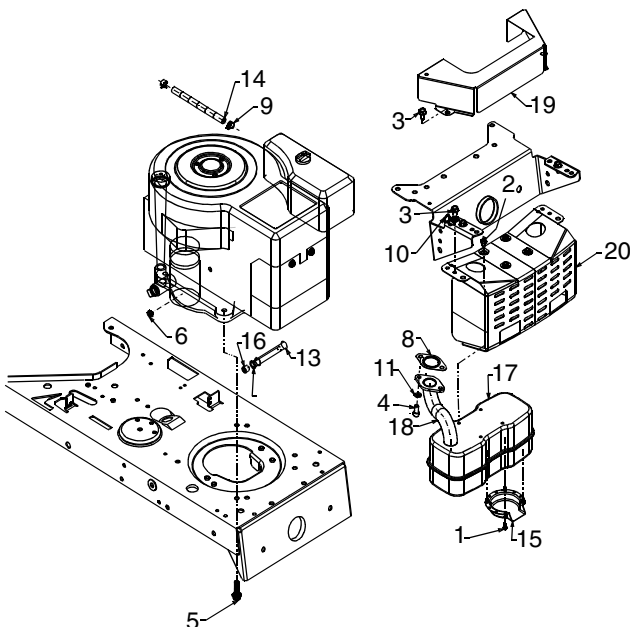
Ref. No.	Part No.	Description
1	710-0148	Hex Tap Scr. #8-32 x .38" Lg.
2	710-0599	Hex TT-Tap Scr. 1/4-20 x .5" Lg.
3	710-0604	Hex TT-Tap Scr. 5/16-18 x .62"
4	710-1237	Hex Wash. Scr. #10-32 x .62"
5	710-1314	Socket Head Scr. 5/16-18 x .62"
6	710-1315	Hex TT-Tap Scr. 3/8-16 x 1.25"
7	712-0271	Hex Sems Scr. 1/4-20 Thd.
8	721-0208	Gasket
9	726-0205	Hose Clamp
10	726-0272	Clamp
11	731-1682A	Oil Drain Sleeve
12	736-0119	Lock Washer 5/16" I.D.
14	751B213146	Casing Clamp
15	751-0535-12	Fuel Line 12" Lg.
16	751-0564	Muffler Deflector
17	751-0617	Muffler
18	751-0619	Exhaust Pipe
19	783-0615	Muffler Brkt.

Briggs & Stratton Twin Cylinder



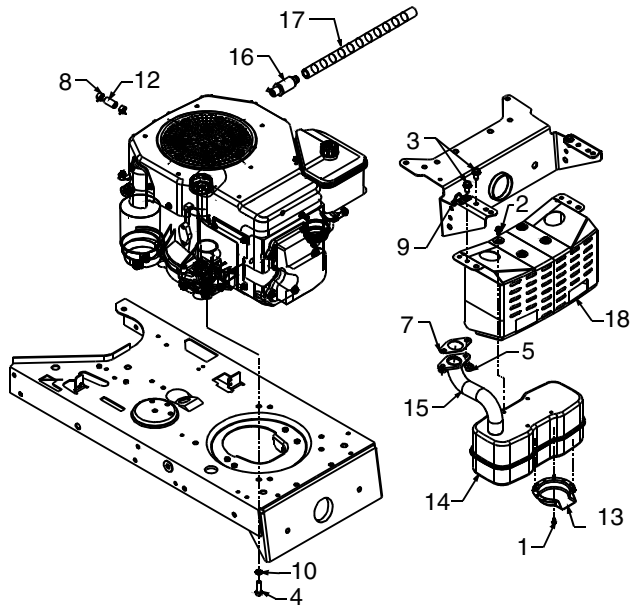
Ref. No.	Part No.	Description
1	710-0148	Hex Tap Scr. #8-32 x .38" Lg.
2	710-0599	Hex Wash. TT-Tap Scr. 1/4-20 x5" Lg.
3	710-0604	Hex Wash. TT-Tap Scr. 5/16-18 x .62"
4	710-0779A	Truss Mach. Scr. #10 x .5" Lg.
5	710-1315	Hex Hd. Tap Scr. 3/8-16 x 1.25"Lg.
6	710-3015	Hex Bolt 1/4-20 x .75"Lg.
7	712-0271	Hex Sems Nut 1/4-20 Thd.
9	721-0346	Exhaust Gasket
10	726-0205	Hose Clamp
11	726-0272	Clamp
12	736-0329	Lock Washer 1/4" I.D.
13	736-3067	Flat Washer .188" I.D. x .438" O.D.
14	737-0143	Oil Drain Cap
15	737-0164	Pipe Nipple 3/8 x 18 NPT.
17	751-0535-26	Fuel Line 26" Lg.
18	751-0564	Deflector: Muffler
19	751-0616	Muffler
20	751-0623	Exhaust Pipe—LH
21	751-0624	Exhaust Pipe—RH
22	783-0357	Heat Shield
23	783-0615	Muffler Bracket

Tecumseh



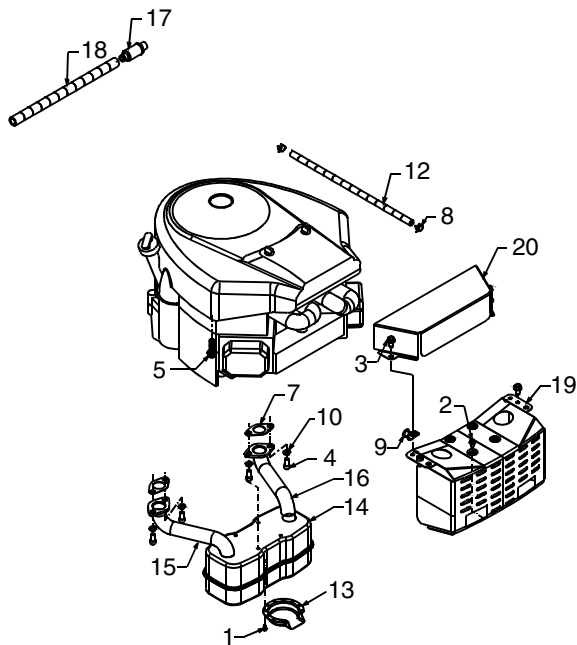
Ref. No.	Part No.	Description
1	710-0148	Hex Bolt #8-32 x .38" Lg.
2	710-0599	Hex Wash. Hd. TT-Scr. 1/4-20 x .5" Lg.
3	710-0604	Hex Wash. Hd. TT-Scr. 5/16-18 x .62"
4	710-1314	Socket Hd. Bolt 5/16-18 x .62" Lg.
5	710-1315	Hex Wash. Hd. TT-Scr. 3/8-16 x 1.25"
6	712-0271	Hex Sems Nut 1/4-20 Thd.
8	721-0348	Exhaust Gasket
9	726-0205	Hose Clamp
10	726-0272	Clamp
11	736-0119	Lock Washer 5/16" I.D.
13	737-0286	Pipe 3/8 NPT x 3.8" Lg. (16/17 HP)
	737-0199	Pipe 3/8 NPT x 2" Lg. (12/13 HP)
14	751-0535-12	Fuel Line
15	751-0564	Muffler Deflector
16	751-0572	Hex Pipe Plug (16/17 HP)
	737-0143	Oil Drain Cap (12/13 HP)
17	751-0617	Muffler
18	751-0620	Exhaust Pipe (16/17 HP)
	751-0622	Exhaust Pipe (12/13 HP)
19	783-0378A	Heat Shield (16/17 HP)
20	783-0615	Muffler Bracket

Kohler



Ref. No.	Part No.	Description
1	710-0148	Hex Tap Scr. #8-32 x .38" Lg.
2	710-0599	Hex Wash. TT-Tap Scr. 1/4-20 x5" Lg.
3	710-0604	Hex Wash. TT-Tap Scr. 5/16-18 x .62"
4	710-3206A	Hex Bolt M8 x 1.25
5	712-3086	Hex Flange Nut M8 Thd.
7	721-0375	Exhaust Gasket
8	726-0205	Hose Clamp
9	726-0272	Clamp
10	736-0607	External Lock Washer 5/16" I.D.
12	751-0535-12	Fuel Line 12" Lg.
13	751-0564	Muffler Deflector
14	751-0617	Muffler
15	751-0621	Exhaust Pipe
16	751-3140	Oil Drain
17	751-3141	Oil Drain Hose
18	783-0615	Muffler Bracket.

Intek Twin



Ref. No.	Part No.	Description
1	710-0148	Hex Tap Scr. #8-32 x .38" Lg.
2	710-0599	Hex Wash. TT-Tap Scr. 1/4-20 x5" Lg.
3	710-0604	Hex Wash. TT-Tap Scr. 5/16-18 x .62"
4	710-1314	Socket Head Scr. 5/16-18 x .62"
5	710-1315	Hex TT-Tap Scr. 3/8-16 x 1.25"
7	721-0460	Exhaust Gasket
8	726-0205	Hose Clamp
9	726-0272	Clamp
10	736-0119	Lock Washer 5/16" I.D.
12	751-0535-12	Fuel Line 12" Lg.
13	751-0564	Muffler Deflector
14	751-0616	Muffler
15	751-0650	Exhaust Pipe—RH
16	751-0651	Exhaust Pipe—LH
17	751-3140	Oil Drain
18	751-3141	Oil Drain Hose
19	783-0615	Muffler Bracket
20	783-0625	Heat Shield
