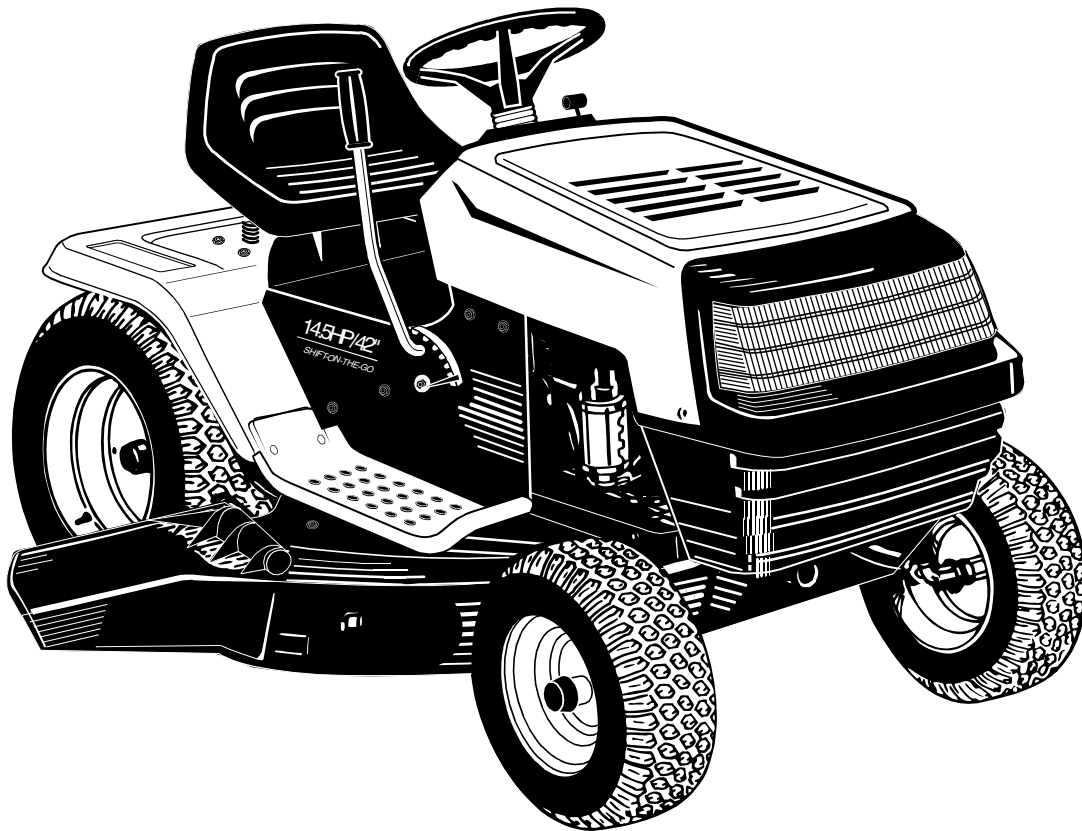


Illustrated Parts Book



Model Numbers

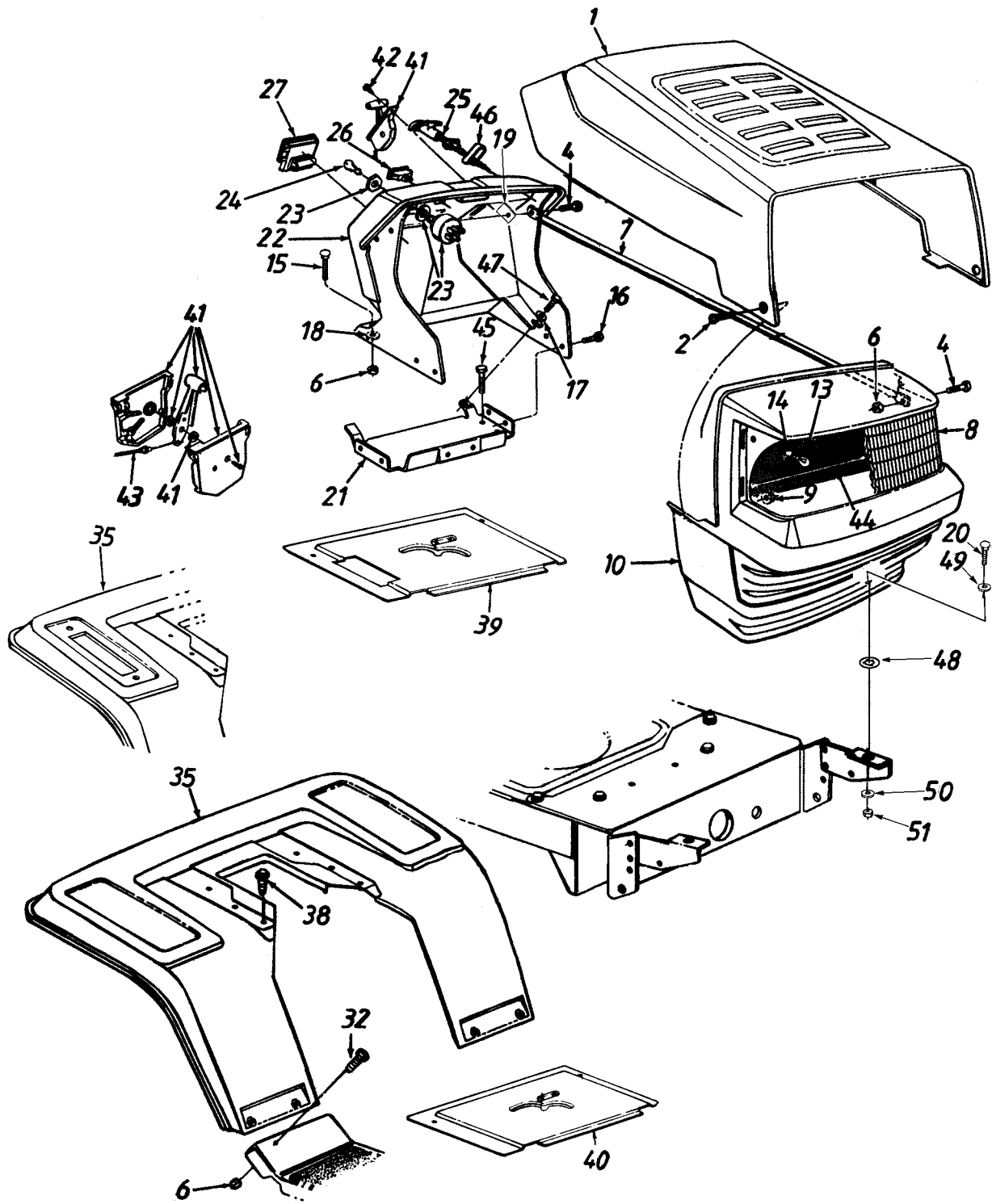
660 thru 679

MTD PRODUCTS INC • P.O.BOX 368022 • CLEVELAND , OHIO 44136-9722

PRINTED IN U.S.A.

FORM NO. 770-10116A
(10/99)

Models 660 and 670



Models 660 and 670

REF. NO.	PART NO.	DESCRIPTION	REF. NO.	PART NO.	DESCRIPTION
1	783-0250	Hood		746-3021	Choke Control 29" Lg.
2	738-0952A	Shld. Bolt .375" Dia. x .125" Lg.	26	725-0634	Light Switch**
4	710-0751	Hex Bolt 1/4-20 x .62" Lg.*	27	725-0925	Ammeter**
6	712-3006	Hex Sems Nut 1/4-20 Thd.*	32	710-0286	Truss Mach. Scr. 1/4-20 x .5" Lg.
7	749-0812	Grille Support Rod	34	17870A	Fender
8	731-1099A	Headlight Lens (w/o Logo)	35	17871B	Fender w/Cutout
	731-1767	Headlight Lens (w/ Logo)	38	710-0726	Hex Wash. Hd. AB-Tap Scr.5/16 x
9	712-3027	Flange L-Nut 1/4-20 Thd.	39	17954B	Shift Cover w/Cutout
10	731-1097E	Grille	40	17286B	Shift Cover
13	725-0963	Lamp	41	831-0823A	Throttle Box Ass'y.
14	725-1649	Socket	42	710-0779A	Truss Mach. AB-Tap Scr.#10 x .5"
15	710-0703	Carriage Bolt 1/4-20 x .75" Lg.	43	746-0776	Throttle Control Wire 18.5" Lg.
16	710-0599	Hex Washer Tap Scr. 1/4-20 x .5" Lg.		746-0634	Throttle Control Wire 35" Lg.
17	736-0173	FI-Wash. .281" I.D. x .73" O.D.		746-0638	Throttle Control Wire 22" Lg.
18	726-0233	Bolt Retainer 1/4" I.D.	44	777-9206	Grille Reflector Label
19	712-0185	Speed Nut 1/4-20 Thd.	45	710-0603	Hex Washer Tap Scr.5/16-18 x .5" Lg.
20	710-3008	Hex Bolt 5/16-18 x .75" Lg.	46	17782	Choke Retainer
21	17632A	Gas Tank Support Brkt.	47	710-0642	Hex TT-Tap Scr. 1/4-20 x .75" Lg.
22	731-1096B	Dash w/Ammeter Hole	48	726-0201	Speed Nut
	731-1337A	Dash w/o Ammeter Hole	49	736-3078	FI-Wash. .34" I.D. x 1"Lg.
23	725-0267	Ignition Switch	50	736-0119	L-Wash. 5/16" I.D.
24	725-0201	Ignition Key	51	712-3010	Hex Nut 5/16-18 Thd.
25	746-0616A	Choke Control 23" Lg.	—	629-0309	Headlight Harness (Not Shown)
	746-0614A	Choke Control 38" Lg.	—	See Chart	Muffler (Single Cylinder Engines)
	746-0720	Choke Control 20" Lg.			

** Optional

Muffler Chart

Engine	Muffler	Mounting Hardware
10.5,11.5, 12,12.5 &13 H.P. B&S	751-0302	712-0250 Conduit L-Nut

Models 661 and 671

REF. NO.	PART NO.	DESCRIPTION	REF. NO.	PART NO.	DESCRIPTION
1	17941	Hood	34	17870A	Fender
4	710-0751	Hex Bolt 1/4-20 x .62" Lg.*	35	17871B	Fender w/Cutout
6	712-0271	Hex Sems Nut 1/4-20 Thd.*	38	710-0726	Hex Wash. Hd. AB-Tap Scr.5/16 x
7	749-0722B	Grille Support Rod	39	17954B	Shift Cover w/Cutout
8	731-1099A	Headlight Lens (w/o Logo)	40	17286B	Shift Cover
	731-1767	Headlight Lens (w/Logo)	41	831-0823B	Throttle Box Ass'y.
9	712-0380	Flange L-Nut 1/4-28 Thd.	42	710-0779B	Truss Mach. AB-Tap Scr.#10 x .5" Lg.
10	17940B	Grille	43	746-0776	Throttle Control Wire 18.5" Lg.
13	725-0963	Lamp		746-0634	Throttle Control Wire 35" Lg.
14	725-1651	Socket		746-0638	Throttle Control Wire 22" Lg.
15	710-0703	Carriage Bolt 1/4-20 x .75" Lg.	45	710-0603	Hex Wash. Hd. B-Tap Scr.5/16-18 x .5"
16	710-0599	Hex Wash. Hd. TT-Tap Scr.1/4-20 x .5"	46	17782	Choke Retainer
17	736-0173	Fl-Wash. .281" I.D. x .73" O.D.	47	710-0642	Hex TT-Tap Scr.1/4-20 x .75" Lg.
18	726-0233	Bolt Retainer 1/4" I.D.	49	710-0351	Truss Mach. B-Tap Scr.#10 x .5"
19	712-0185	Speed Nut 1/4-20 Thd.	50	736-0400	Fl-Wash. .218" I.D. x .62"
20	710-0376	Hex Bolt 5/16-18 x .1" Lg. (Gr. 5)	51	710-0924	Pan Hd. Mach. Scr. 1/4-20 x .75"
21	17632A	Gas Tank Support Brkt.	52	710-0473	Truss Mach. Scr. #10-24 x.5" Lg.
22	731-1096B	Dash w/Ammeter Hole	53	710-0589	Truss Mach. Scr. #10-24 x .75"
	731-1337A	Dash w/o Ammeter Hole	54	726-0130	Speed Nut
23	725-0267	Ignition Switch	57	712-3027	Flange L-Nut 1/4-20 Thd.
24	725-0201	Ignition Key	59	723-0302	Hood Stop
25	746-0616A	Choke Control 23" Lg.	62	732-0714	Hood Spring
	746-0614A	Choke Control 38" Lg.	64	712-0272	Hex Sems Nut #10-24 Thd.
	746-3021	Choke Control 29" Lg.	65	736-0413	Spr. Wash. .39" I.D. x .62" O.D.
	746-0720	Choke Control 20" Lg.	66	738-0952	Shld. Bolt
26	725-0634	Light Switch**	67	714-0104	Hairpin Clip 5/16" Dia.
27	725-0925	Ammeter**	—	See Chart	Muffler (Single Cylinder Engines)
31	726-0211	U-Nut 5/16-18 Thd.	—	629-0308	Headlight Harness (Not Shown)
32	710-0286	Truss Mach. Scr. 1/4-20 x .5" Lg.			

** Optional

Muffler Chart

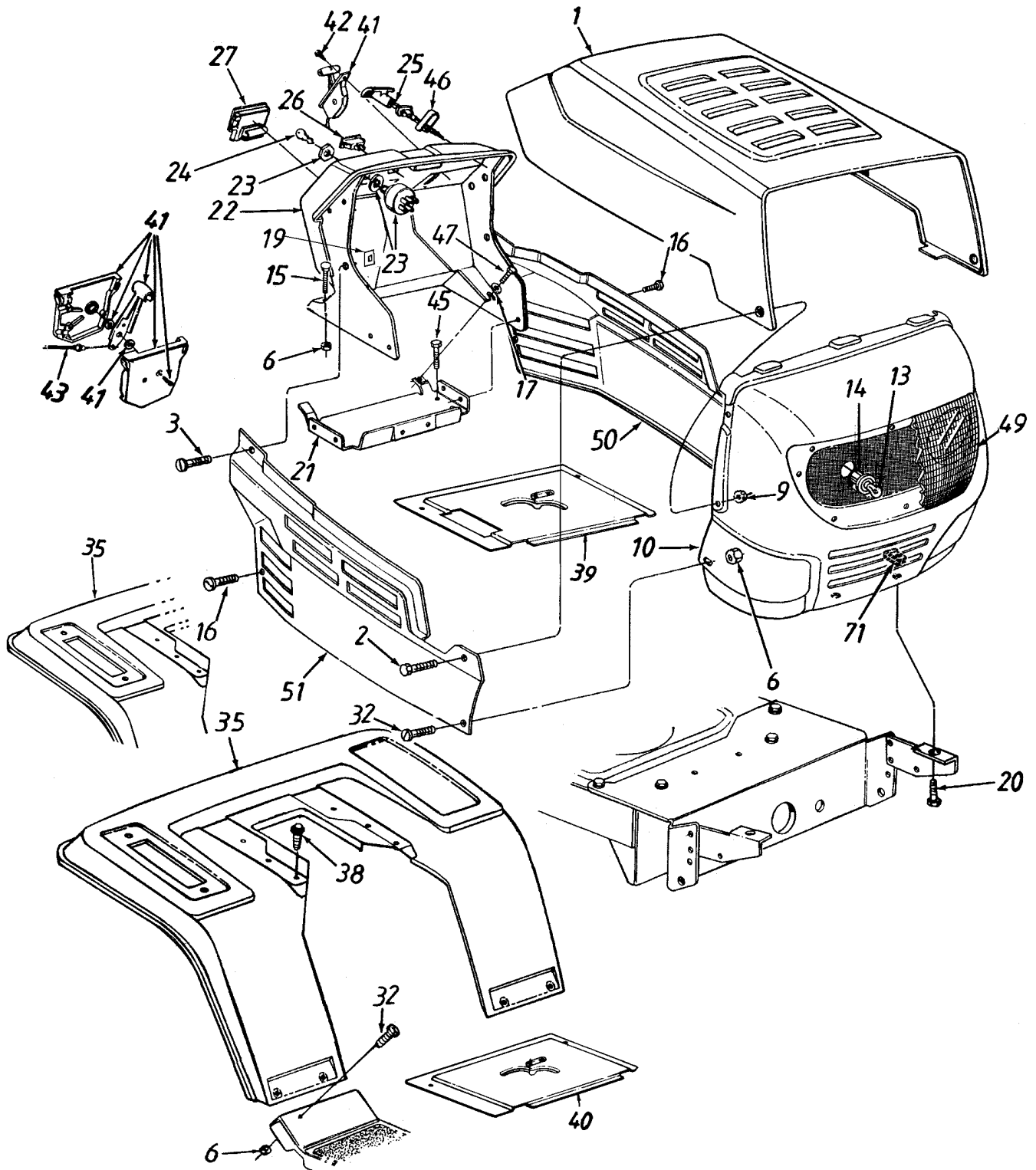
Engine	Muffler	Mounting Hardware
10.5,11.5, 12,12.5 &13 H.P. B&S	751-0302	712-0250 Conduit L-Nut

Models 662 and 672

REF. NO.	PART NO.	DESCRIPTION	REF. NO.	PART NO.	DESCRIPTION
1	783-0250	Hood	35	17871B	Fender w/Cutout
2	738-0952A	Shld. Bolt .375" Dia. x .125" Lg.	38	710-0726	Hex Wash. Hd. AB-Tap Scr.5/16 x
6	712-3006	Hex Sems Nut 1/4-20 Thd.*	39	17954B	Shift Cover w/Cutout
9	712-3027	Flange L-Nut 1/4-20 Thd.	40	17286B	Shift Cover
10	783-0156A	Grille	41	831-0823A	Throttle Box Ass'y.
13	725-0963	Lamp	42	710-0779A	Truss Mach. AB-Tap Scr.#10 x .5"
14	725-1651	Socket	43	746-0776	Throttle Control Wire 18.5" Lg.
15	710-0703	Carriage Bolt 1/4-20 x .75" Lg.		746-0634	Throttle Control Wire 35" Lg.
17	736-0173	FI-Wash. .281" I.D. x .73" O.D.		746-0638	Throttle Control Wire 22" Lg.
18	726-0233	Bolt Retainer 1/4" I.D.	45	710-0603	Hex Wash. Hd. B-Tap Scr.
19	712-0185	Speed Nut 1/4-20 Thd.	46	17782	Choke Retainer
20	710-0376	Hex Bolt 5/16-18 x .1" Lg. (Gr.5)	47	710-0642	Hex TT-Tap Scr. 1/4-20 x .75"Lg.
21	17632A	Gas Tank Support Brkt.	49	731-1503A	Lens
22	731-1096B	Dash w/Ammeter Hole	50	783-0367	Side Panel L.H.
	731-1337A	Dash w/o Ammeter Hole	51	783-0366	Side Panel R.H.
23	725-0267	Ignition Switch	71	726-0211	U-Nut 5/16-18 Thd.
24	725-0201	Ignition Key	72	710-0286	Truss Mach. Scr. 1/4-20 x .5" Lg.
25	746-0616A	Choke Control 23" Lg.	73	749-0722B	Grille Support
	746-0614A	Choke Control 38" Lg.	74	732-0699	Hood Spring **
	746-3021	Choke Control 29" Lg.	75	726-0130	Speed Nut **
	746-0720	Choke Control 20" Lg.	76	710-0751	Hex Bolt 1/4-20 x 5/8" Lg.
26	725-0634	Light Switch **	77	736-0342	FI-Wash. .283" I.D. x .75" O.D.
27	725-0925	Ammeter **	78	710-0589	Hex Hd. Tap Scr. #10-16 x .75"
32	710-0924	Pan Hd. Scr. 1/4-20 x .75" Lg.	—	629-0309	Headlight Harness (Not Shown)
34	17870A	Fender			

** Optional

Models 663 and 673

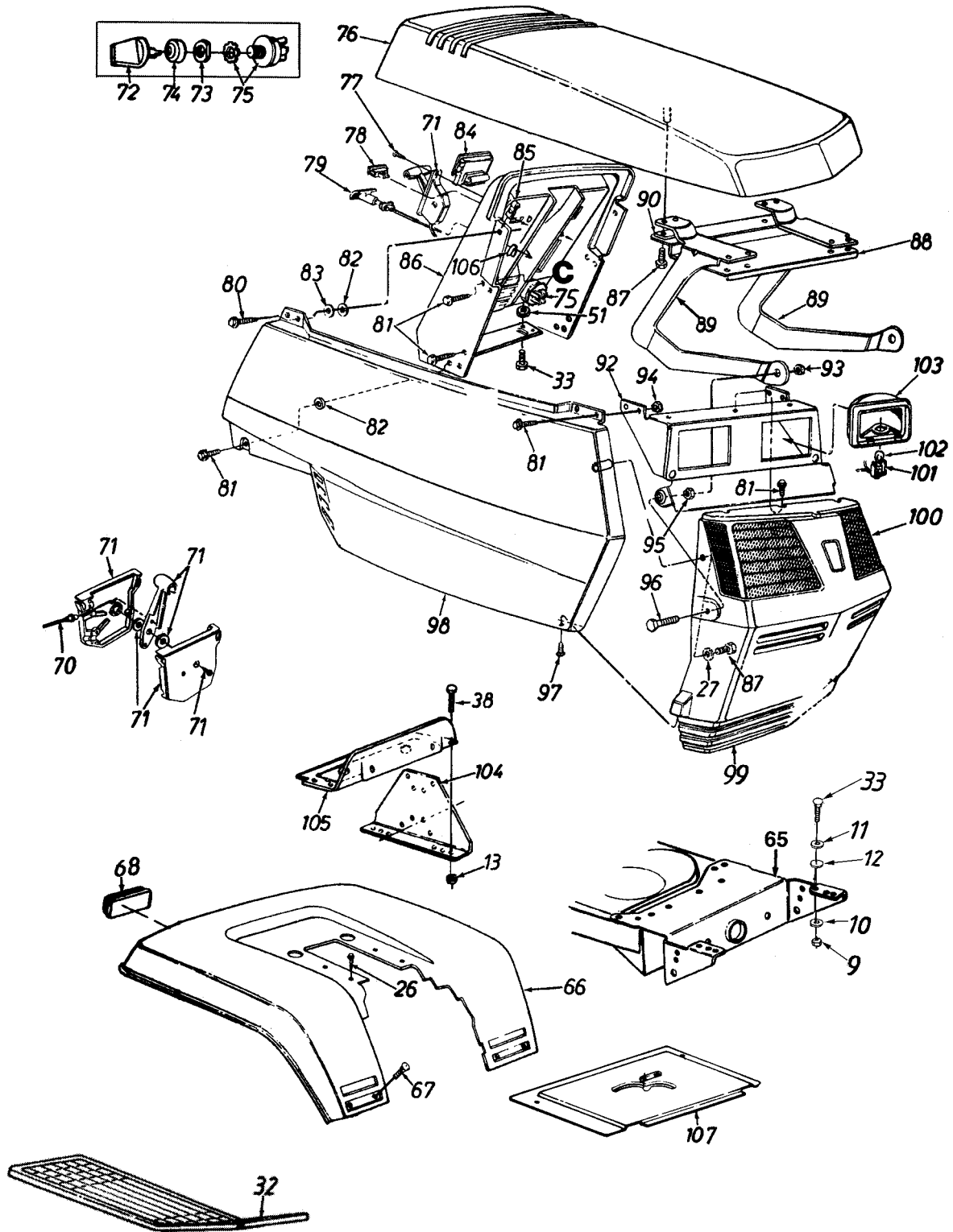


Models 663 and 673

REF. NO.	PART NO.	DESCRIPTION	REF. NO.	PART NO.	DESCRIPTION
1	783-0250	Hood	27	725-0925	Ammeter **
2	738-0952A	Shld. Bolt .375" Dia. x .125" Lg.	34	17870A	Fender
3	710-0924	Pan Hd. Scr. 1/4-20 x .75" Lg.	35	17871B	Fender w/Cutout
6	712-3006	Hex Nut 1/4-20 Thd.*	38	710-0726	Hex Wash. Hd. AB-Tap Scr.
9	712-3027	Flange L-Nut 1/4-20 Thd.	39	17954B	Shift Cover w/Cutout
10	783-0156A	Grille	40	17286B	Shift Cover
13	725-0963	Lamp	41	831-0823A	Throttle Box Ass'y.
14	725-1651	Socket	42	710-0779A	Truss Mach. AB-Tap Scr.#10 x .5"
15	710-0703	Carriage Bolt 1/4-20 x .75" Lg.	43	746-0776	Throttle Control Wire 18.5" Lg.
16	710-0599	Hex Wash. Hd. TT-Tap Scr.1/4-20		746-0634	Throttle Control Wire 35" Lg.
17	736-0173	Fl-Wash. .281" I.D. x .73" O.D.		746-0638	Throttle Control Wire 22" Lg.
19	712-0185	Speed Nut 1/4-20 Thd.	45	710-0603	Hex Wash. Hd. B-Tap Scr.5/16-18
20	710-0376	Hex Bolt 5/16-18 x 1" Lg. (Gr.5)	46	17782	Choke Retainer
21	17632A	Gas Tank Support Brkt.	47	710-0642	Hex TT-Tap Scr. 1/4-20 x .75"Lg.
22	731-1096B	Dash w/Ammeter Hole	49	731-1503A	Lens
	731-1337A	Dash w/o Ammeter Hole	50	783-0151A	Side Panel L.H.
23	725-0267	Ignition Switch	51	783-0150A	Side Panel R.H.
24	725-0201	Ignition Key	71	726-0211	U-Nut 5/16-18 Thd.
25	746-0616A	Choke Control 23" Lg.	72	710-0286	Truss Mach. Scr. 1/4-20 x .5" Lg.
	746-0614A	Choke Control 38" Lg.	74	732-0835	Hood Latch **
	746-3021	Choke Control 29" Lg.	75	710-0473	Truss Mach. Scr. #10-24 x .5"
	746-0720	Choke Control 20" Lg.	76	712-0272	Hex Sems Nut 10-24 Thd. **
26	725-0634	Light Switch **	—	629-0309	Headlight Harness (Not Shown)

** Optional

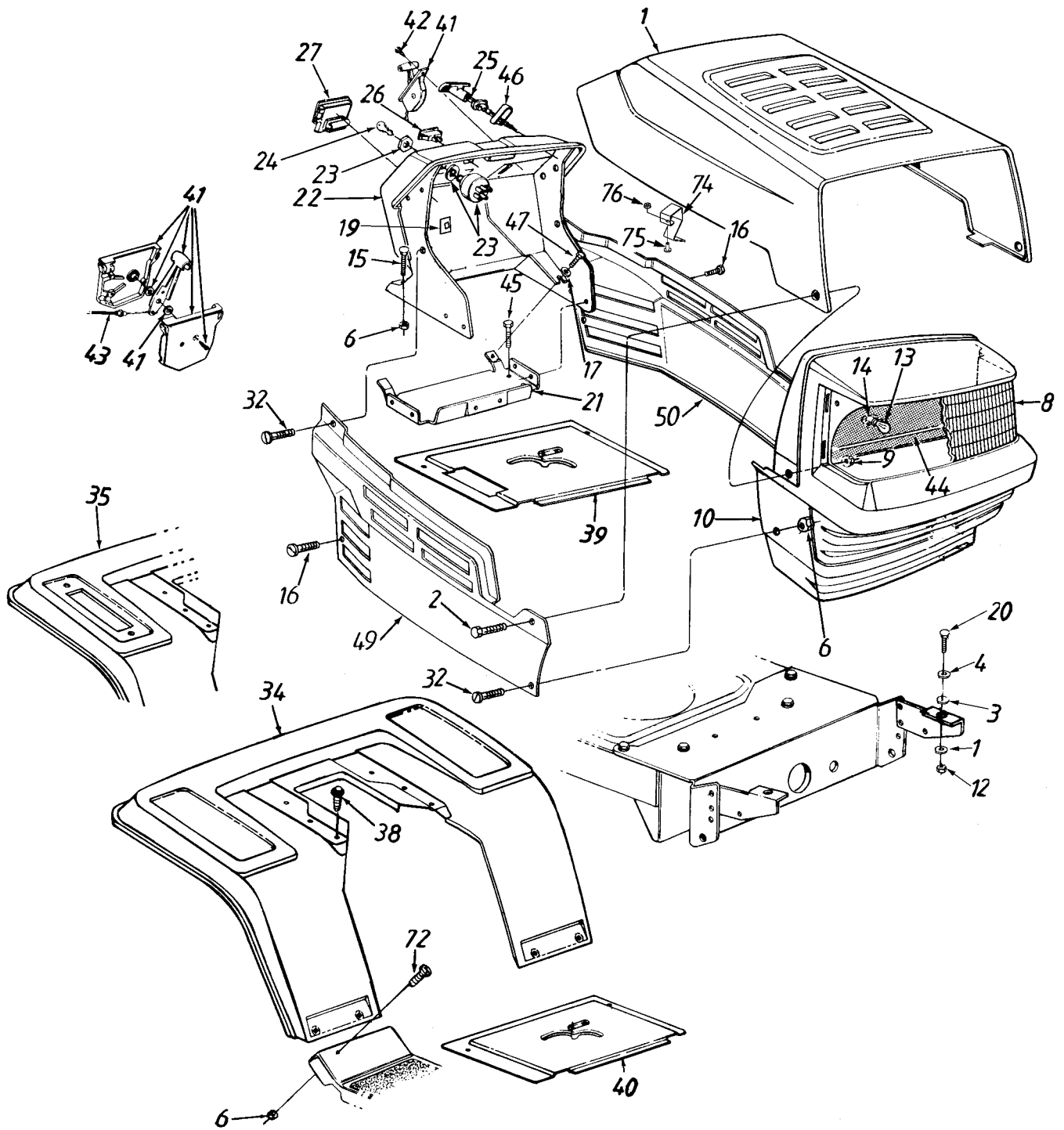
Model 674



Model 674

REF. NO.	PART NO.	DESCRIPTION	REF. NO.	PART NO.	DESCRIPTION
9	712-3010	Hex Nut 5/16-18 Thd.	82	726-0233	Push Nut Fastener
10	736-0119	L-Wash. 5/16" I.D.	83	736-0176	FI-Wash. .27" I.D. x .948"
11	736-3078	FI-Wash. .34" I.D. x 1" O.D.	84	725-0925	Ammeter
12	726-0201	Speed Nut	85	712-0185	Speed Nut 1/4-20 Thd.
13	712-0271	Hex Sems Nut 1/4-20 Thd.	86	731-0961A	Dash Panel
26	710-0726	Hex Wash. Hd. AB-Tap Scr.5/16 x .75"	87	710-1005	Hex Wash. Hd. B-Tap Scr.1/4 x .75"
27	736-0142	FI-Wash. .218" I.D. x .5" O.D.	88	783-0121	Hood Reinforcement
32	731-0911	Rubber Foot Pad L.H. (Optional)	89	783-0123	Hood Hinge
	731-0912	Rubber Foot Pad R.H. (Optional)	90	17762	Hood Reinforcement Spacer
33	710-3008	Hex Bolt 5/16-18 x .75" Lg.*	92	17223	Light Bracket
38	710-0751	Hex Bolt 1/4-20 x .62" Lg.*	93	712-0158	Hex L-Nut 5/16-18 Thd.
51	712-0265	Hex Sems Nut 5/16-18 Thd.	94	712-0107	Hex L-Nut 1/4-20 Thd.
65	783-0041A	Pivot Bar Brkt.	95	712-3007	Hex Jam Nut 5/16-18 Thd.
66	783-0350	Fender	96	710-0874	Hex Bolt 5/16-18 x 7/8" Lg.
67	710-0167	Carriage Bolt 1/4-20 x .62" Lg.	97	710-0351	Truss Mach. B-Tap Scr.#10 x .5" Lg.
68	725-3000	Reflector (Optional)	98	731-1434	Side Cover-RH Yellow
70	746-0776	Throttle Wire 18.5" Lg.		731-1536	Side Cover-RH Red
	746-0634	Throttle Wire 35" Lg.		731-1435	Side Cover-LH (Not Shown) Yellow
	746-0636	Throttle Wire 28" Lg.		731-1535	Side Cover-LH (Not Shown) Red
71	831-0823A	Throttle Control Box Ass'y.	99	731-1442A	Grille-Yellow
72	725-1341B	Ignition Key		731-1537A	Grill-Red
73	725-1346	Ignition Switch Nut	100	731-0949	Lens-L.H.
74	725-1347	Ignition Switch Cap		731-0948	Lens-R.H.
75	725-1396	Ignition Switch	101	725-1650	Twist Lock-Lamp Socket
76	731-1433	Hood-Yellow	102	725-0963	Lamp
	731-1534	Hood-Red	103	731-0705	Headlight Housing
77	710-0779A	Truss Mach. AB-Tap Scr. #10 x.5" Lg.	104	17300D	Dash Support Brkt.
78	725-0634	Light Switch	105	17633A	Support Brkt.
79	746-3021	Choke Control 29" Lg.	106	17782	Choke Retainer
	746-0614A	Choke Control 38" Lg.	107	17286B	Shift Cover
80	710-0642	Hex Wash. Hd. Tap Scr.1/4 x .75"	—	629-0309	Headlight Harness (Not Shown)
81	710-0599	Hex Tap Scr. 1/4-20 x .5" Lg.			

Models 665 and 675

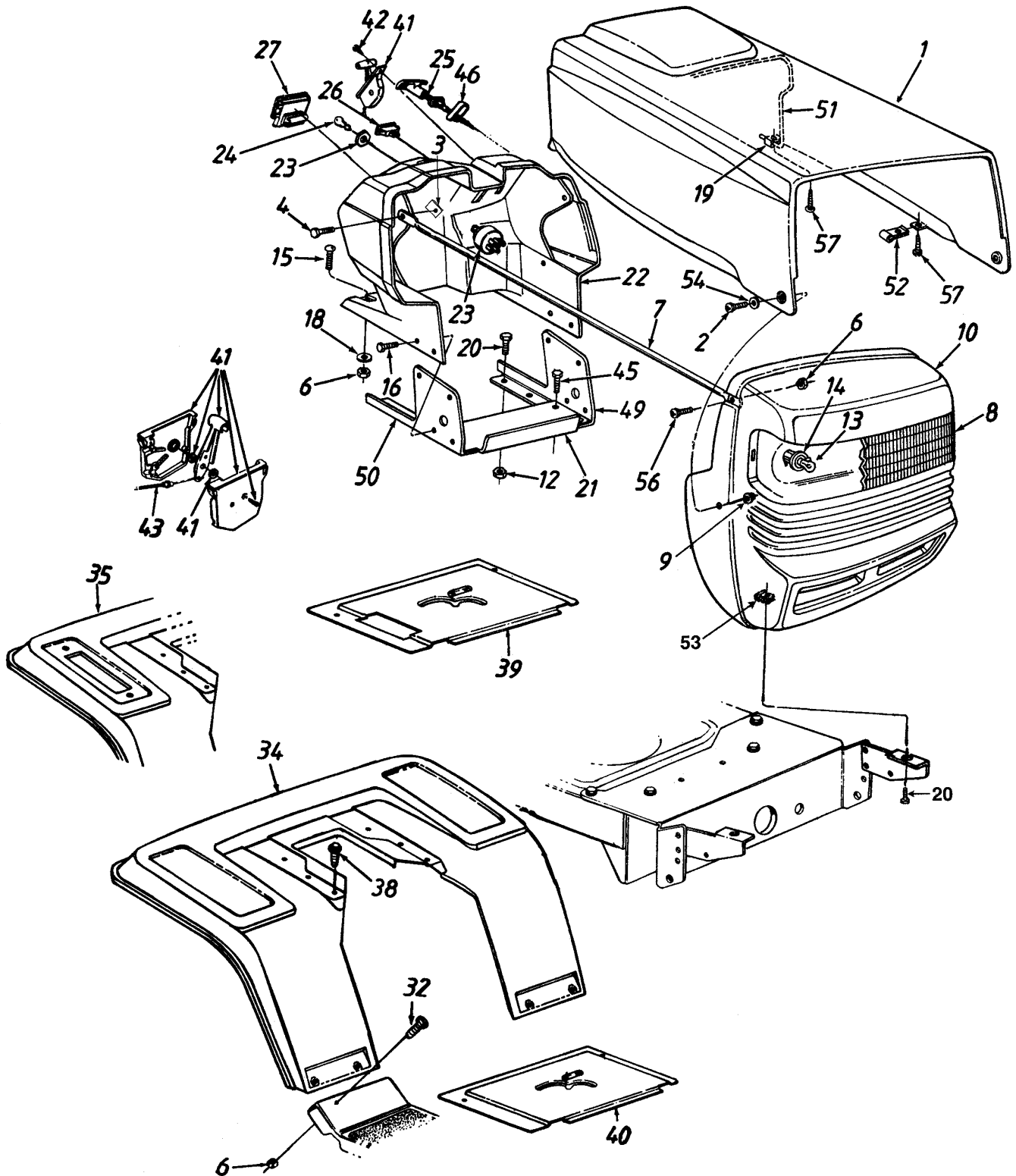


Models 665 and 675

REF. NO.	PART NO.	DESCRIPTION	REF. NO.	PART NO.	DESCRIPTION
1	783-0250	Hood	27	725-0925	Ammeter **
2	738-0952A	Shld. Bolt .375" Dia. x .125" Lg.	32	710-0924	Pan Hd. Scr. 1/4-20 x .75" Lg.
3	726-0201	Speed Nut	34	17870A	Fender
4	736-3078	Fl-Wash. .34" I.D. x 1" O.D.	35	17871B	Fender w/Cutout
6	712-3006	Hex Sems Nut 1/4-20 Thd.*	38	710-0726	Hex Wash. Hd. AB-Tap Scr.5/16 x .75"
8	731-1099A	Headlight Lens w/o Logo	39	17954B	Shift Cover w/Cutout
	731-1767	Headlight Lens w/Logo	40	17286B	Shift Cover
9	712-3027	Flange L-Nut 1/4-20 Thd.	41	831-0823A	Throttle Box Ass'y.
10	731-1097E	Grille	42	710-0779A	Truss Mach. AB-Tap Scr.#10 x .5" Lg.
11	736-0119	L-Wash. 5/16" I.D.	43	746-0776	Throttle Control Wire 18.5" Lg.
12	712-3010	Hex Nut 5/16-18 Thd. (Gr.5)		746-0634	Throttle Control Wire 35" Lg.
13	725-0963	Lamp		746-0638	Throttle Control Wire 22" Lg.
14	725-1649	Socket	44	777-9206	Grille Reflector Label
15	710-0703	Carriage Bolt 1/4-20 x .75" Lg.	45	710-0603	Hex Wash. Hd. B-Tap Scr.5/16-18
16	710-0599	Hex Wash. Hd. TT-Tap Scr.1/4-20 x .5"	46	17782	Choke Retainer
17	736-0173	Fl-Wash. .281" I.D. x .73" O.D.	47	710-0642	Hex TT-Tap Scr. 1/4-20 x .75"Lg.
19	712-0185	Speed Nut 1/4-20 Thd.	48	736-0270	Bell-Wash. 1/4" I.D.
20	710-3008	Hex Bolt 5/16-18 x .75" Lg.	49	783-0150A	Side Panel-R.H.
21	17632A	Gas Tank Support Brkt.	50	783-0151	Side Panel-L.H.
22	731-1096B	Dash w/Ammeter Hole	72	710-0286	Truss Mach. Scr. 1/4-20 x .5" Lg.
	731-1337A	Dash w/o Ammeter Hole	73	736-0342	Fl-Wash. .283" I.D. x .75" O.D.
23	725-0267	Ignition Switch	74	732-0835	Hood Latch **
24	725-0201	Ignition Key	75	710-0473	Truss Mach. Scr. 10-24 x .5" Lg. **
25	746-0616A	Choke Control 23" Lg.	76	712-0272	Hex Sems Nut 10-24 Thd. **
	746-0614A	Choke Control 38" Lg.	—	629-0308	Headlight Harness (Not Shown)
	746-3021	Choke Control 29" Lg.			
	746-0720	Choke Control 20" Lg.			
26	725-0634	Light Switch **			

** Optional

Models 667 and 677



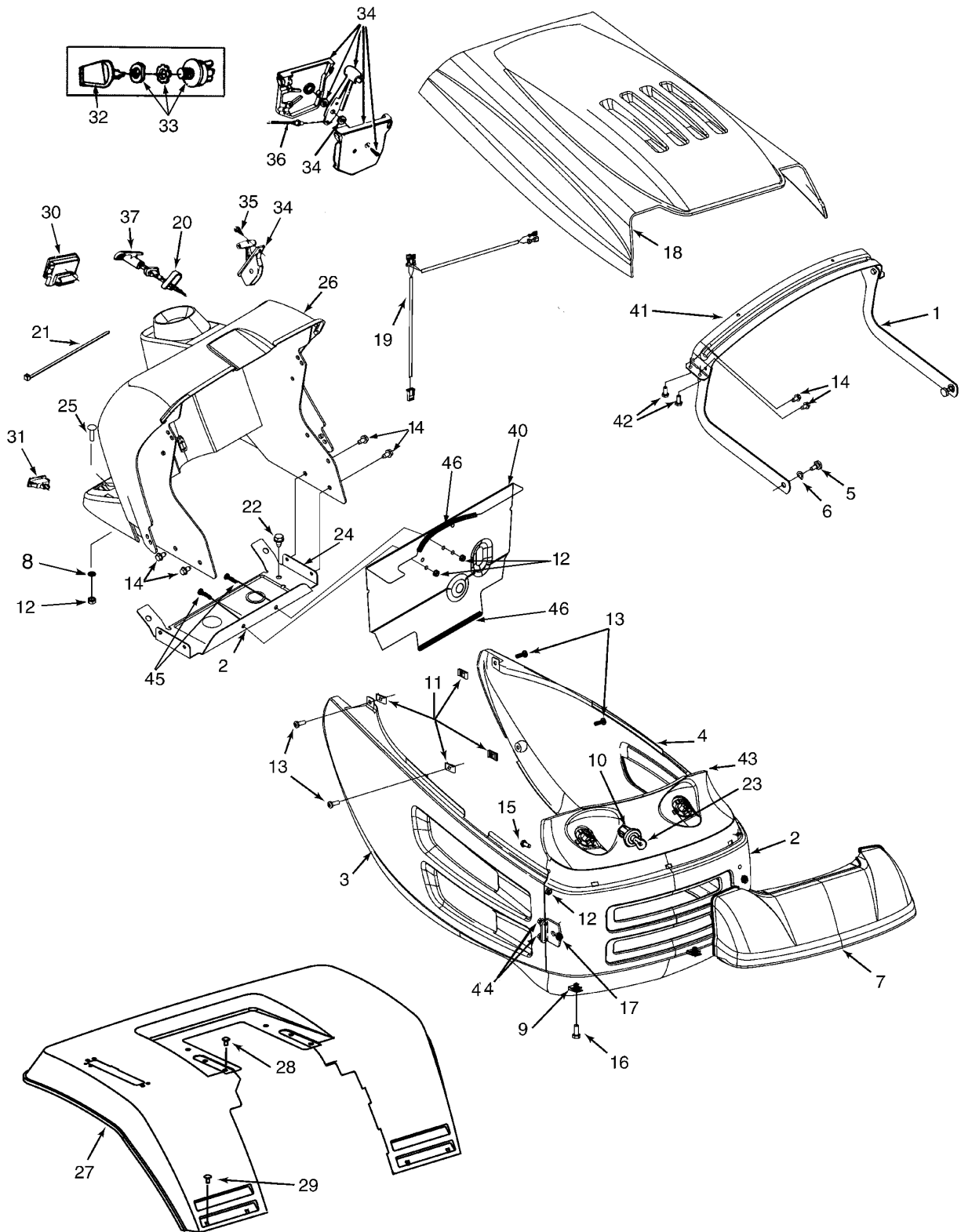
Models 667 and 677

REF. NO.	PART NO.	DESCRIPTION	REF. NO.	PART NO.	DESCRIPTION
1	783-0020	Hood	32	710-0286	Truss Mach. Scr. 1/4-20 x .5" Lg.
2	738-0952	Shld. Bolt .375" Dia. x .125" Lg.	34	17870A	Fender
3	712-0185	Speed Nut 1/4-20 Thd.	35	17871B	Fender w/Cutout
4	710-0206	Hex Bolt 1/4-20 x .88" Lg.*	39	17954B	Shift Cover w/Cutout
5	736-0329	L-Wash. 1/4" I.D.*	40	17286B	Shift Cover
6	712-0271	Hex Sems Nut 1/4-20 Thd.*	41	831-0823A	Throttle Box Ass'y.
7	749-0916	Grille Support Rod	42	710-0779A	Truss Mach. AB-Tap Scr.#10 x .5"
8	731-1362	Headlight Lens	43	746-0776	Throttle Control Wire 18.5" Lg.
9	712-3027	Flange L-Nut 1/4-20 Thd.		746-0634	Throttle Control Wire 35" Lg.
10	783-0018A	Grille		746-0638	Throttle Control Wire 22"Lg.
11	736-0119	L-Wash. 5/16" I.D.*	45	710-0603	Hex Wash. B-Tap Scr.5/16-18 x .5"
12	712-0265	Hex Sems Nut 5/16-18 Thd.*	46	17782	Choke Retainer
13	725-0963	Lamp	49	783-0035A	Dash Reinforcement Brkt.— L.H.
14	725-1651	Socket	50	783-0036A	Dash Reinforcement Brkt.— R.H.
15	710-0703	Carriage Bolt 1/4-20 x .75" Lg.	51	732-0714	Hood Spring
16	710-0599	Hex Wash. Hd. TT-Tap Scr.1/4-20 x .5"	52	726-0339	Flat Fastener (Special)
18	726-0233	Bolt Retainer 1/4" I.D.	53	726-0211	U-Nut 5/16-18 Thd.
19	726-0130	Speed Nut #10-24 Thd.	54	736-0413	Spr. Wash. .39" I.D. x .62" O.D.
20	710-0376	Hex Bolt 5/16-18 x .1" Lg. (Gr.5)	55	736-0242	Bell-Wash. .345" I.D. x .88" O.D.
21	17633A	Gas Tank Support Brkt.	56	710-0924	Pan Hd. Scr. 1/4-20 x .75" Lg.
22	731-1348	Dash	53	726-0211	U-Nut 5/16-18 Thd.
23	725-0267	Ignition Switch	54	736-0413	Spr. Wash. .39" I.D. x .62" O.D.
24	725-0201	Ignition Key	55	736-0242	Bell-Wash. .345" I.D. x .88" O.D.
25	746-0616A	Choke Control 23" Lg.	56	710-0924	Pan Hd. Scr. 1/4-20 x .75" Lg.
	746-0614A	Choke Control 38" Lg.	57	710-0351	Truss Mach. Scr. #10-24 x .5" Lg.
	746-3021	Choke Control 29" Lg.	—	See Chart	Muffler (Single Cylinder Engines)
	746-0720	Choke Control 20" Lg.	—	629-0308	Headlight Harness (Not Shown)
26	725-0634	Light Switch			
27	725-0925	Ammeter			

Muffler Chart

Engine	Muffler	Mounting Hardware
10.5,11.5,12,12.5 &13 H.P. B&S	751-0302	712-0250 Conduit L-Nut

Model 678



Model 678

REF NO.	PART NO.	DESCRIPTION	REF NO.	PART NO.	DESCRIPTION
1	783-0551A	Hood Brkt.	27	783-0350	Fender
2	783-0477	Grille	28	710-0726	Hex Wash. Hd. Tap Scr. 5/16 x .75"
3	783-0476A	Side Panel -R.H.	29	710-0286	Truss Mach. Scr. 1/4-20 x .5" Lg.
4	783-0475	Side Panel - L.H.	30	725-0925	Ammeter
5	738-0255	Shld. Bolt .375" Dia.	31	725-0634	Light Switch
6	736-0413	Spr. Wash. .39" I.D. x .62" O.D.	32	725-0201	Ignition Key
7	731-1854	Lens	33	725-0267	Ignition Switch
8	726-0233	Retainer Nut	34	831-0823A	Throttle Box Ass'y.
9	726-0211	U - Nut 5/16-18 Thd	35	710-0779A	Truss Mach. AB-Tap Scr. #10 x .5"
10	725-1651	Socket	36	746-0776	Throttle Control Wire 18.5 " Lg
11	712-0292	Tinn. Nut 1/4-20 Thd.		746-0638	Throttle Control Wire 22" Lg.
12	712-3006	Hex Nut 1/4-20 Thd.		746-0634	Throttle Control Wire 35" Lg.
13	710-0924	Pan Hd. Mach. Scr. 1/4-20 x .75" Lg.	37	746-0720	Choke Control 20" Lg.
14	710-0599	Hex Wash. Hd. TT-Tap Scr. 1/4-20 x 5"		746-0616A	Choke Control 23" Lg.
15	710-0751	Hex Bolt 1/4-20 x .625" Lg.		746-3021	Choke Control 29" Lg.
16	710-0367	Hex Bolt 5/16-18 x .1" Lg. (Gr.5)		746-0614A	Choke Control 38" Lg.
17	683-0168	Hood Pivot Brkt. Ass'y.	40	16998A	Engine Baffle †
18	683-0167	Hood		731-1917	Heat Duct (Not Shown) ††
19	629-0308	Headlight Harness	41	783-0553A	Hood Brkt. Support
20	17782	Choke Retainer	42	710-0351	Pan Hd. Scr. #10-16 x .5" Lg.
21	725-0157	Cable Tie	43	726-0293	Retainer Nut
22	710-0607	Hex Wash. Hd. Tap Scr. 5/16-18 x .5"	44	710-0896	Hex Wash. AB-Tap Scr. 1/4-14 x .625"
23	725-0963	Lamp	45	710-0166	Pan Hd. Scr. 1/4-20 x 1" Lg. †
24	17632A	Gas Tank Support Brkt.	46	731-0511-15	Trim Strip †
25	710-0703	Carriage Bolt 1/4-20 x .75" Lg.		722-3021	2-Sided Tape (Not Shown) ††
26	731-1852	Dash Panel	—	17286B	Shift Cover (Not Shown)

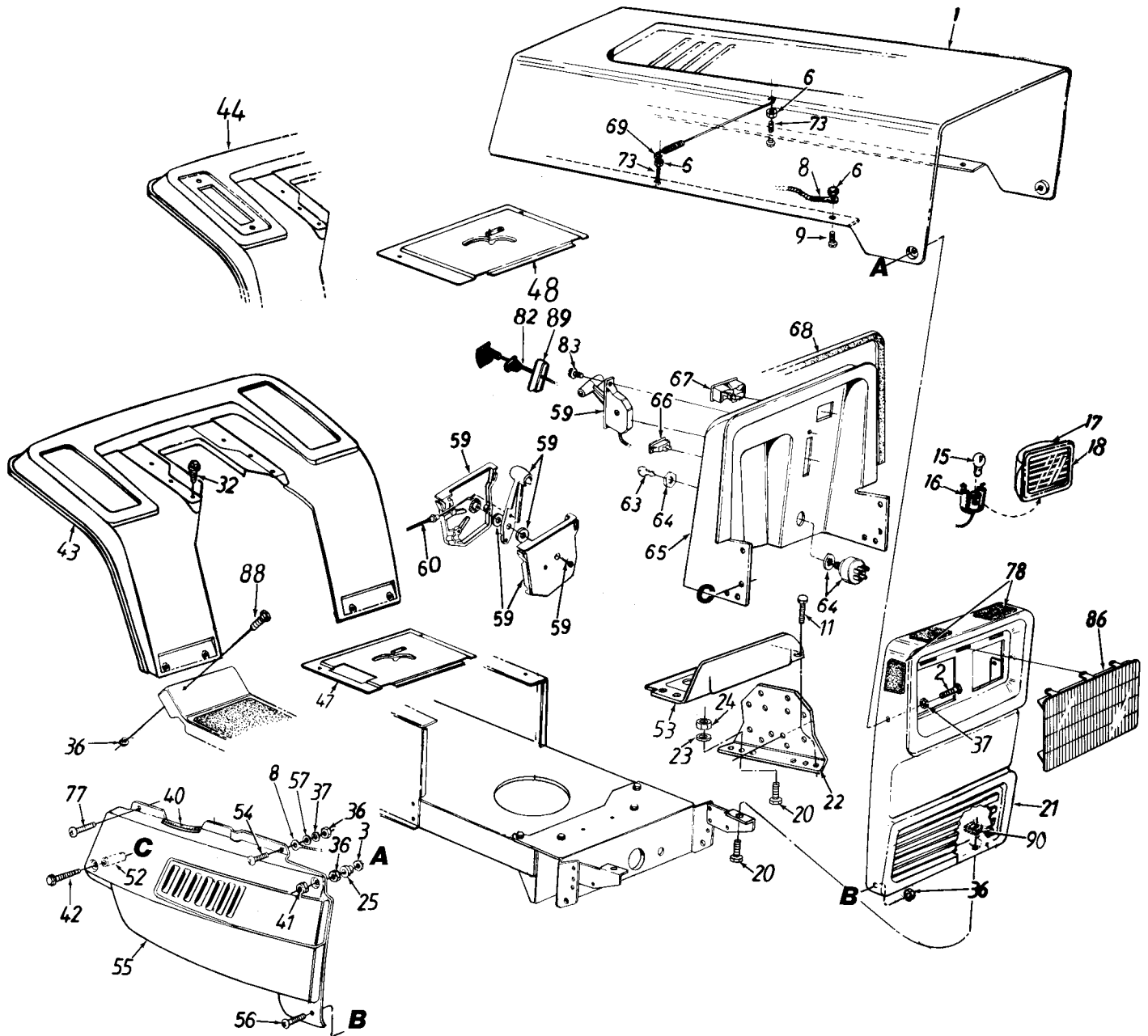
† B&S Twin Cylinder Engine Only.

†† Tecumseh Engine Only.

Model 679

REF. NO.	PART NO.	DESCRIPTION	REF. NO.	PART NO.	DESCRIPTION
3	710-0376	Hex Bolt 5/16-18 x .75" Lg.	37	750-0218	Spacer .262" I.D. x .31"
5	710-0603	Hex Wash. Hd. Scr. 5/16" x .5" Lg.	39	16903A	Hood Plate
7	710-0286	Truss Mach. Scr. 1/4-20 x .5" Lg.	40	710-1005	Hex Wash. Hd. Tap Scr. 1/4-20 x .5"
8	710-0726	Hex Wash. Hd. Tap Scr. 5/16 x .75" Lg.	41	731-1048B	Dash
9	17633A	Support Bracket	42	725-0925	Ammeter
10	17300D	Dash Support Bracket	43	831-0823A	Throttle Control Box Ass'y.
11	783-0350	Rear Fender	44	710-0919	Mach. Scr. #10 x .44" Lg.
12	730-3000	Reflector (Optional)	45	746-0616A	Choke Control 23" Lg.
13	17286B	Transmission Cover		746-0614A	Choke Control 38" Lg.
14	16725	Side Panel —R.H.		746-3021	Choke Control 29" Lg.
	17309B	Side Panel —L.H. (Not Shown)		746-0720	Choke Control 20" Lg.
	17458A	Side Panel w/Foam— R.H.	46	746-0776	Throttle Control Wire 18.5" Lg.
	17459A	Side Panel Ass'y. w/Foam —L.H.		746-0634	Throttle Control Wire 35" Lg.
15	710-0286	Truss Mach. Scr. 1/4-20 x .5" Lg.		746-0638	Throttle Control Wire 22" Lg.
16	710-0166	Truss Mach. Scr. 1/4-20 x 1.0"	47	725-0267	Ignition Switch
17	710-1026	Hex Wash. TT-Tap Scr. 1/4-20 x	48	725-0201	Ignition Key
18	750-0768	Spacer .26" I.D. x 1.32"	49	731-1491A	Hood— Red
19	710-0642	Hex Rolling Tap Scr. 1/4-20 x .75" Lg.		731-1531A	Hood— Charcoal
21	731-0511-18	Trim Strip 18" Lg.		731-1497A	Hood— Oyster Gray
23	712-0271	Hex Sems Nut 1/4-20 Thd.*		731-1704A	Hood—Evergreen
24	726-0201	Speed Nut 5/16" Thd.		731-1893A	Hood—Black
25	712-0265	Hex Sems Nut 5/16-18 Thd.*	71	749-0814	Grille Support Tube
27	17410	Grille Ass'y.	73	736-0607	External L-Wash. 5/16" I.D.
28	731-1044	Headlight Lens	76	17782	Choke Retainer
29	731-0705	Headlamp Housing	77	725-0634	Light Switch
30	725-0963	Headlamp	78	736-3010	FI-Wash. .406" I.D. x .812" O.D.
31	725-1650	Twist Lock Lamp Socket	79	710-0206	Hex Bolt 1/4-20 x .88" Lg.
32	736-0242	Bell-Wash. .345" I.D. x .88"	80	783-0013	Dash Fastening Tab
33	712-0429	Hex L-Nut 5/16-18 Thd.	81	725-0157	Cable Tie
34	735-0126	Rubber Washer	82	777-8568A	Chrome Label
35	783-0190	Hood Hinge	83	726-0211	U-Nut 5/16-18 Thd.
36	710-0599	Hex Wash. Hd. B-Tap Scr. 1/4-20 x .5"			

Model 67A

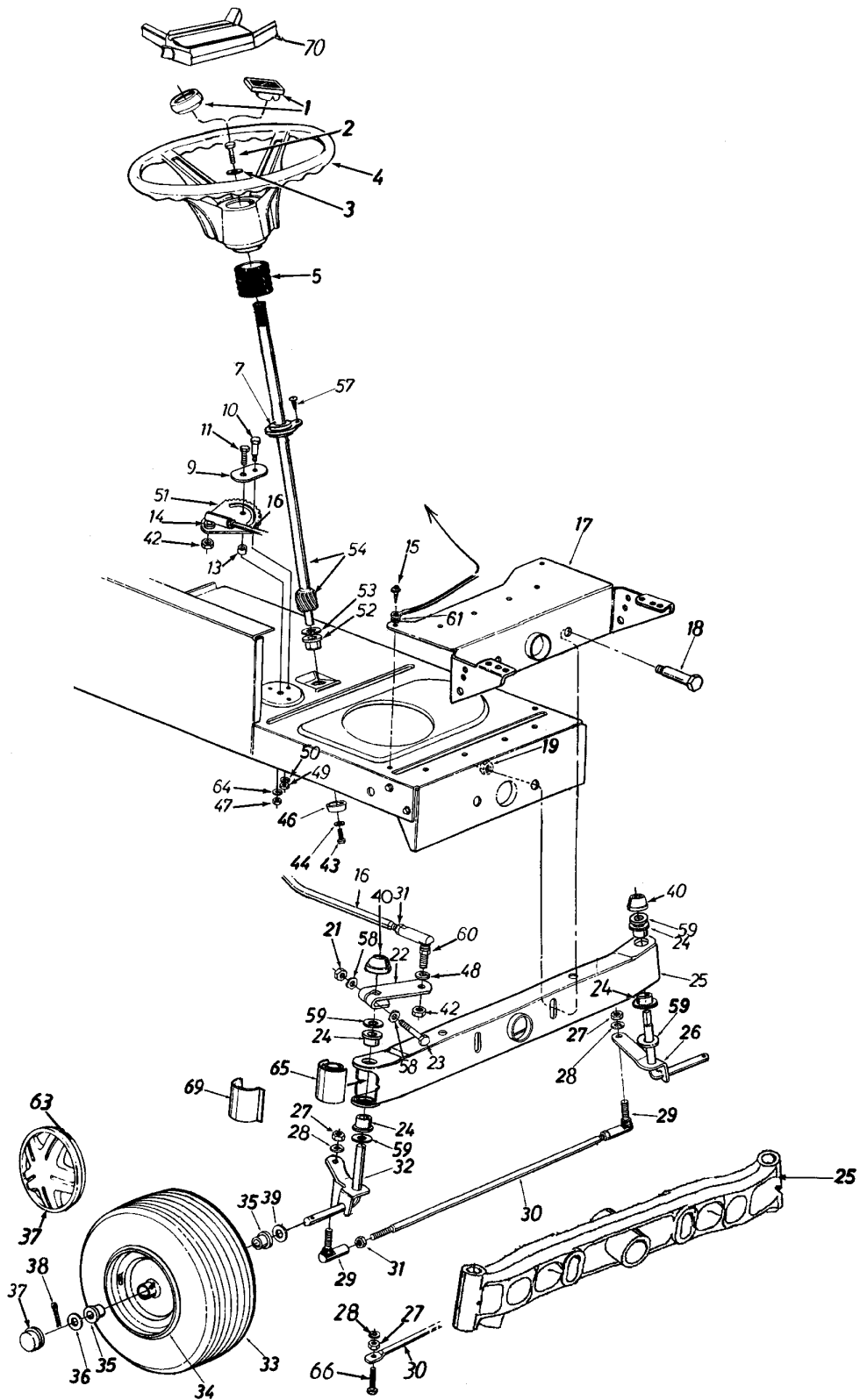


Model 67A

REF. NO.	PART NO.	DESCRIPTION	REF. NO.	PART NO.	DESCRIPTION
1	16787B	Hood		16725	Side Cover R.H. (Tec.)
2	710-0206	Hex Bolt 1/4-20 x .88" Lg.		17458A	Side Cover w/Foam R.H.
3	736-0413	Washer .39" I.D. x .62"		17309B	Side Panel L.H. (Not Shown)
6	712-0272	Hex Sems Nut #10-24 Thd.*		17459A	Side Cover w/Foam L.H.(Not Shown)
8	727-0290A	Hood Stop	56	710-0286	Truss Mach. Scr. 1/4-20 x .50"Lg.*
9	710-0473	Truss Hd. Scr. #10-24 x 1/2"	57	736-0173	Fl-Wash. .281" I.D. x .73" O.D.
11	710-0603	Hex Wash. Hd. B-Tap Scr.5/16-18 x .5"	59	831-0823A	Throttle Control Box Ass'y.
15	725-0963	Bulb	60	746-0776	Throttle Control Wire 18.5" Lg.
16	725-1650	Twist Lock Bulb Socket		746-0634	Throttle Control Wire 35" Lg.
17	731-0705	Headlight Housing	63	725-0201	Ignition Key
18	731-0706	Lens	64	725-0267	Ignition Switch
20	710-0118	Hex Bolt 5/16-18 x .75" Lg.*	65	17295	Dash Panel
21	15806B	Grille	66	725-0634	Light Switch
	16456C	Grille Used w/Headlight Bezel	67	725-0925	Ammeter
22	17300D	Dash Support Bracket	68	731-0511-31	Trim Strip 31"
23	736-0119	L-Wash. 5/16" I.D.*	69	732-0462	Hood Spring
24	712-0267	Hex Nut 5/16-18 Thd.*	73	710-0749	Hex Scr. #10-24 x 1.0" Lg.
25	738-0759	Shld. Spacer	77	710-0642	Hex Wash. Hd. Tap Scr.1/4 x .75" Lg.
36	712-0271	Hex Sems Nut 1/4-20 Thd.*	78	722-0157	Foam Strip 3/8 x 1-1/8" x 1-1/2 Lg. (4 Req'd.)
40	731-0511-12	Trim Strip 12"			
41	712-0264	Acorn Nut 1/4-20 Thd.	82	746-0615A	Choke Control 29" Lg.
42	710-1026	Hex TT-Tap Scr. 1/4-20 x 1.75"		746-0613A	Choke Control 46" Lg.
43	17870A	Rear Fender	83	710-0779A	Truss Mach. AB-Tap Scr.#10 x .5" Lg.
44	17871B	Rear Fender w/Cutout	86	731-0967	Headlight Bezel**
47	17954B	Shift Cover w/Cutout	88	710-0286	Truss Mach. Scr. 1/4-20 x .5" Lg.
48	17286B	Shift Cover	89	17782	Retainer Clip
52	750-0768	Spacer 1.32" Lg.	90	726-0211	U-Nut 5/16-18 Thd.
53	17633A	Support Brkt.	—	See Chart	Muffler (Single Cylinder Engine)
54	710-0255	Truss Hd. Scr. 1/4-20 x .75"	—	629-0309	Headlight Harness (Not Shown)
55	17308B	Side Panel R.H.			

*For faster service obtain standard nuts, bolts and washers locally. If these items cannot be obtained locally, order by part number and size as shown on parts list.

Models 660 thru 679

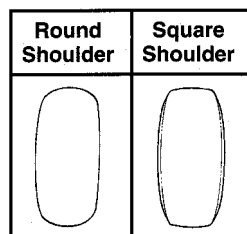


Models 660 thru 679

REF NO.	PART NO.	DESCRIPTION	REF NO.	PART NO.	DESCRIPTION
1	731-0220	Steering Wheel Cap	30	747-0753	Tie Rod (Adjustable)
	731-1459A	Steering Wheel Cap (Sq.—MTD)		747-0861	Tie Rod (Non-Adjustable)
	731-1460	Steering Wheel Cap (Sq.—No logo)	31	712-0711	Hex Jam Nut 3/8-24 Thd.*
2	710-0643	Hex Bolt 5/16-18 x 1" Lg.	32	**	Front Axle Ass'y.—R.H.
3	736-0242	Belleville Wash. .345" I.D.	33	**	Wheel Ass'y. Comp.
4	731-1693	Steering Wheel (3 Spoke)†	34	**	Front Wheel Rim Only
	731-1687	Steering Wheel (3 Spoke)††	35	**	Bearing
	631-0027	Steering Wheel (4 Spoke)	36	736-0285	FI-Wash. .635 I.D. x 1.59" O.D.
5	731-0559A	Steering Bellow—4.5" (Style A)	37	731-0484A	Front Wheel Hub Cap
	731-0954	Steering Bellow—9" (Style 0, 1, 3, 4, 5, 6, 8, 9)		731-1787A	Spoked Hub Cap (Yellow—Opt.)
	731-1542	Steering Bellow—3.25" (Style 7)		734-1613A	Spoked Hub Cap (Gray—Opt.)
6	712-0240	Hex Jam Nut 7/16-20 Thd.		734-1612A	Spoked Hub Cap (Beige—Opt.)
7	741-0587	Flange Bearing .628" I.D. x 1.36 O.D.	38	714-0470	Cotter Pin 1/8" Dia. x 1.25"
8	723-0448	Ball Joint 7/16-20 Thd.	39	736-0162	FI-Wash. .640" I.D. x 1.24" O.D.
9	17198A	Retainer Plate	40	726-0214	Push Cap 5/8" Dia. Rod
10	738-0141	Shoulder Bolt .437 x .35 Lg. 5/16-18	42	712-0262	Hex Jam Nut 3/8-24 Thd.
11	710-0152	Hex Bolt 3/8-24 x 1.0" Lg. (Gr. 5)	43	710-1309	Hex Patch Bolt 5/16-18 x .62"
13	750-0535	Spacer .380" I.D. x .625" O.D.x	46	748-0389	Cap
14	736-0217	L-Wash. 3/8" I.D. (H.D.)	47	712-0214	Hex Cent. L-Nut 3/8-24 Thd.
15	710-0726	Hex Wash. Hd. Self-Tap Scr.	48	736-0169	L-Wash. 3/8" I.D.*
16	711-1107	Steering Drag Link	49	712-0158	Hex Cent. L-Nut 5/16-18 Thd.
17	783-0041B	Front Pivot Brkt.	50	736-0119	L-Wash. 5/16" I.D.*
18	738-0527	Shoulder Bolt	51	717-0622A	Steering Gear Segment
19	712-0431	Flanged L- Nut 3/8-16 Thd.*	52	741-0656	Hex Flg. Brg. .634 I.D.
21	712-0411	Hex L-Nut 5/16-24 Thd.	53	736-0187	FI-Wash. (Hardened)
22	16481A	Steering Arm Front Axle	54	738-0919	Steering Shaft
23	710-0593	Hex Bolt 5/16-24 x 2.25" Lg.	57	710-0837	Oval Hd. Cr.—Sunk Scr. (Style A)
24	741-0659	Hex Flg. Brg. .632 I.D.	58	736-3081	Wave-Wash. .32" I.D. x .60" O.D.
25	683-0128A	Pivot Bar Ass'y. (Steel)	59	736-0187	FI-Wash. (Hardened)
	719-0342A	Pivot Bar Ass'y. (Cast Iron)	60	723-0448	Drag Link Ball Joint 7/16-20 Thd.
	**	Grease Fitting (Cast Iron)	63	727-0425A	Spring Clip (Used w/Spoked Hub Cap)
26	**	Front Axle Ass'y.—L.H.	64	736-0356	Bell-Wash. .39" I.D. x 1.38" O.D.
27	712-0241	Hex Nut 3/8-24 Thd.*	65	731-1291A	Pivot Bar End Cap (Optional)
28	736-0169	L-Wash. 3/8" I.D.*	66	710-0459	Hex Bolt 3/8-24 x 1.5" Lg. (Gr. 5)
29	723-3018	Ball Joint 3/8-24 Thd.	69	731-1649	Axle Cap
			70	731-0955	Steering Wheel Insert (Optional)

† Uses Round Steering Wheel Cap

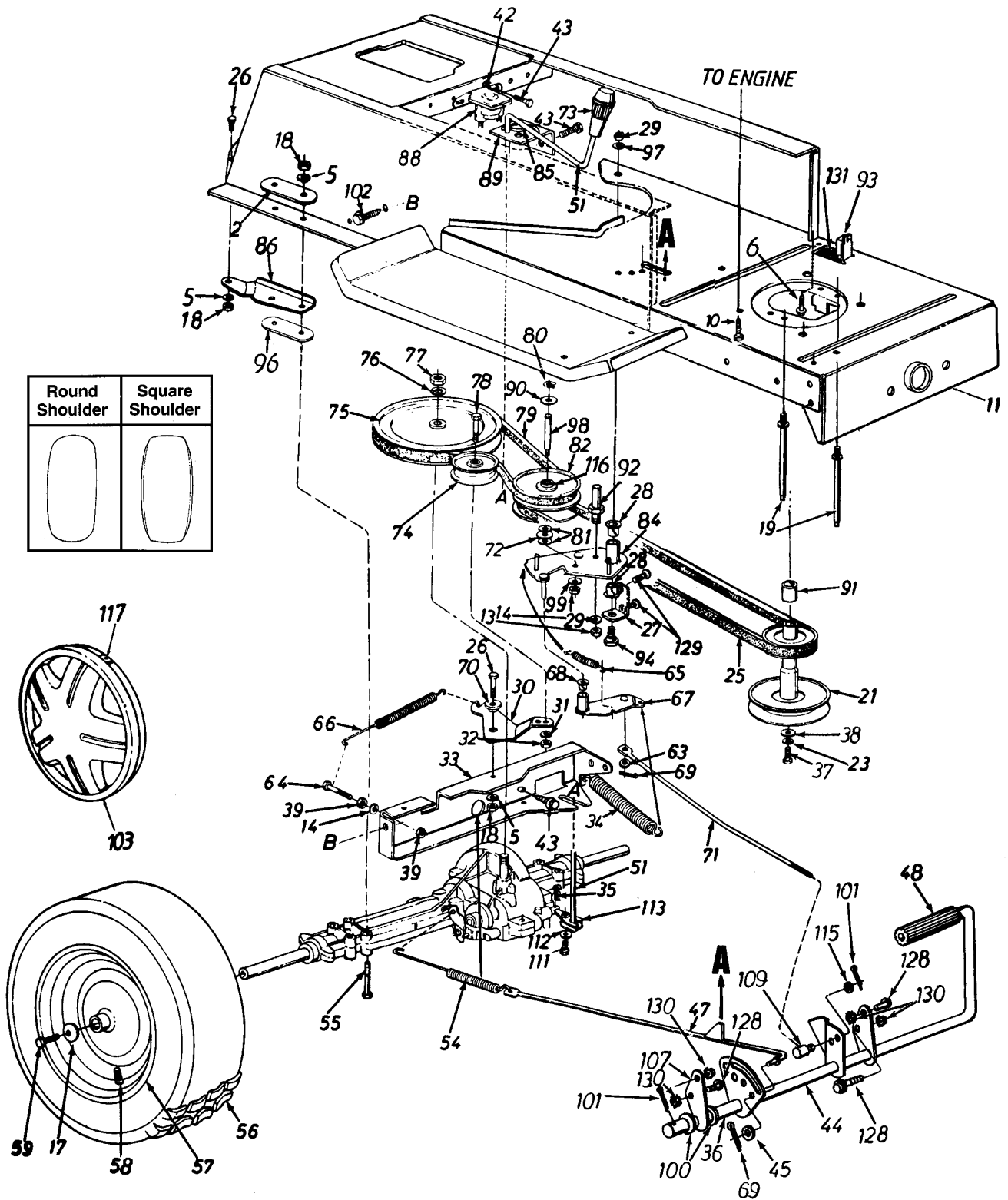
†† Uses Square Steering Wheel Cap



**FRONT WHEEL CHART

Description	15" x 6" (Round Shoulder)	15" x 6" (Square Shoulder)
Wheel Ass'y. Comp.	634-0056A	634-0105A
Tire Only	734-0864	734-1731
Rim Only	634-0024	634-0024
Bearing	741-0487A	741-0487A
Air Valve	734-0255	734-0255
Grease Plug	737-0212A	737-0212A
Front Axle Ass'y.—L.H.	683-0127	683-0127
Front Axle Ass'y.—R.H.	683-0126	683-0126
Front Axle Ass'y.—L.H. (46" Deck)	683-0124	683-0124
Front Axle Ass'y.—R.H. (46" Deck)	683-0125	683-0125

Models 660 thru 679



IMPORTANT: For a proper working machine, use Factory Approved Parts.

V-BELTS are specially designed to engage and disengage safely. A substitute (non OEM) V-belt can be dangerous by not disengaging completely.

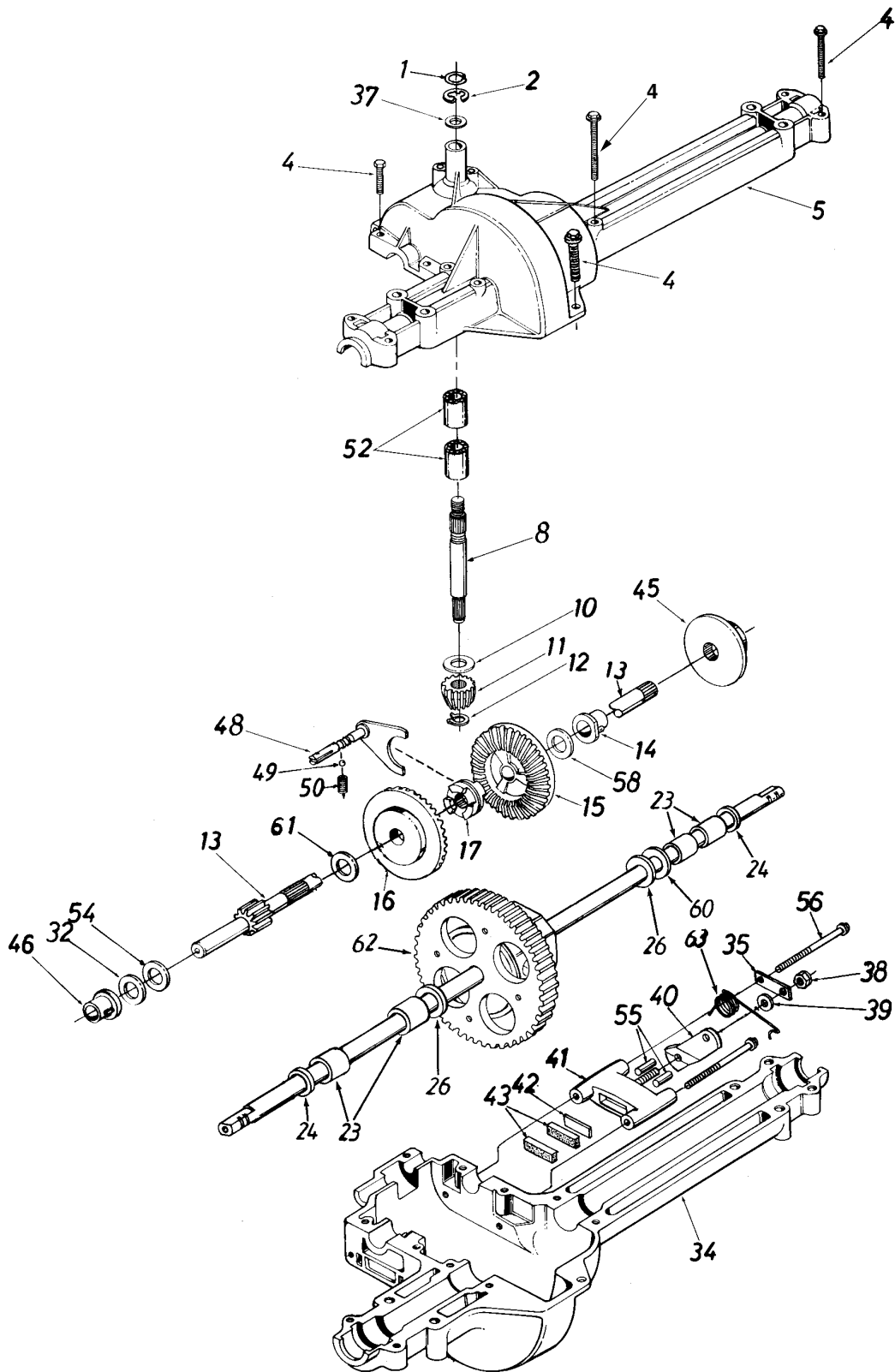
Models 660 thru 679

Ref. No.	Part No.	Description	Ref. No.	Part No.	Description
2	17840	Transaxle Mtg. Brkt.	71	747-0530A	Speed Control Link
5	736-0119	L-Wash. 5/16" I.D.*	72	741-0405	Truss Bearing .56 Dia. x 1.25"
10	710-1315	Hex TT-Tap Scr. 3/8-16 x1.5" Lg.	73	720-0232	Shift Knob
11	783-0310C	Lower Frame Ass'y.	74	756-0643	FI-Idler Pulley 3.12" Dia.
13	712-3006	Hex Nut 1/4-20 Thd. (Gr. 5)	75	656-0005	"V" Pulley (Used w/46" Deck)
14	736-0329	L-Wash. 1/4" I.D.*		656-0004	"V" Pulley (Used w/20"Wheels w/o 46" Deck)
17	736-0242	Bell-Wash. .345" I.D. x .88"	76	736-0427	Bell-Wash. .56" I.D. x 1.125"
18	712-3010	Hex Nut 5/16-18 Thd. (Gr. 5)	77	712-3035	Hex Jam Nut 5/16-18 Thd.
19	711-1044	Belt Guard Stud 4.75" Lg.	78	710-0539	Hex Bolt 3/8-24 x 1.75" Lg.
21	756-0982	Engine Pulley	79	754-0370	Variable Speed Belt
22	736-0322	FI-Wash. 7/16" I.D. x 1.25"	80	716-0114	Snap Ring .56" Dia.
23	736-0171	L-Wash. 7/16" I.D.*	81	736-0355	FI-Wash.
24	710-0757	Hex Bolt 7/16-20 x 1.50" Lg.	82	717-0800A	Variable Speed Pulley Ass'y.
25	754-0280A	Variable-Speed Belt	84	16354B	Variable Speed Brkt. Ass'y.
26	710-3008	Hex Bolt 5/16-18 x .75" Lg.	85	732-0525	Comp. Spring—Clip
27	17963	Bearing Shaft Bracket Ass'y.	86	17668	Axle Support Brkt.—R.H.
28	741-0495	Flanged Nyliner Brg. 5/8" I.D. x .88" Lg.		17669	Axle Support Brkt.—L.H. (Not Shown)
29	712-0241	Hex Nut 3/8-24 Thd.*	88	725-1426	Solenoid
30	17643	Idler Bracket (Used w/20"Wheels w/o 46" Deck)	89	17630	Shift Lever Bracket
	17694	Idler Bracket (Used w/46" Deck)	90	736-0414	Teflon Washer .565" I.D.
31	736-0169	L-Wash. 3/8" I.D.*	91	750-0956	Spacer 1" I.D. x 1.25" Lg.
32	712-0241	Hex Nut 3/8-24 Thd.*	92	711-1000	Belt Keeper 3" Lg.
33	17629A	Transaxle Support Brkt.	93	725-1657A	Safety Switch (Clutch)
34	732-0556	Ext. Spring .94" O.D. x 7.58"	94	738-0755	Shld. Bolt 3/8-24 x 3.12" Lg.
35	714-0149B	Inter. Cotter Pin	97	736-0105	Bell-Wash. .38" I.D. x .88"
36	750-0802	Spacer .63" I.D.	98	738-0569	Shaft .56" Dia. x 3.875" Lg.
39	712-0138	Hex Nut 1/4-28 Thd.	99	736-0331	Bell-Wash. .39" I.D. x 1.12"
40	710-0776	Hex AB-Tap Scr. 1/4" x .62" Lg.	100	736-0256	FI-Wash. .64" I.D. x .94"
42	736-0222	Ext. L-Wash. 1/4" I.D.	101	714-0470	Cotter Pin 1/8" Dia. x 1.25"
43	710-0599	Hex Wash. S-Tap Scr. 1/4-20 x .50" Lg.	102	710-0604A	Hex Wash. Hd. Scr. 5/16-18 x .62"
44	683-0123	Clutch/Brake Pedal Ass'y.	103	734-1615A	Hub Cap (Gray—Optional)
45	736-0140	FI-Wash. .344" I.D. x .62"		734-1614A	Hub Cap (Beige—Optional)
47	747-0755A	Brake Rod Ass'y.		734-1788A	Hub Cap (Yellow—Optional)
48	735-0196	Foot Pad	107	17860	Pedal Bracket
51	17705	Shift Lever Ass'y.	109	711-0198	Ferrule
54	732-0413	Ext. Spring .59" O.D. x 7.08" (Used w/ 20" Wheels w/o 46"Deck)	111	710-0195	Hex Bolt 1/4-28 x .50" Lg.
	732-0642	Ext. Spring 7.33" Lg. (Used w/46" Deck)	112	736-0270	Bell-Wash. .265" I.D. x .75"
55	710-1068	Hex Bolt 5/16-18 x 3.5" Lg. (Used w/46" Deck)	113	17707	Shift Lever Link Ass'y.
	710-0189	Hex Bolt 5/16-18 x 3" Lg.* (Used w/20" Wheels w/o 46" Deck)	115	736-0140	FI-Wash. .385" I.D. x .62"
56	**	Wheel Ass'y. Comp.	116	741-0404	Needle Brgs. (2 Req'd.)
	**	Tire Only	117	727-0425A	Spring Clip (Used w/Ref. No. 103)
57	**	Wheel Rim Only	128	710-1238	Hex Wash. TT-Tap Scr. 5/16-18x .75"
58	734-0255	Air Valve (Service Only)	129	710-0726	Hex Wash. AB-Tap Scr. 5/16-18x .75"
59	710-0627	Hex Bolt 5/16-24 x .75" Lg.*	130	712-0265	Hex Sems Nut 5/16-18 Thd.
63	736-0275	FI-Wash. .34" I.D. x .68" O.D.	131	732-0750A	Spring Switch
64	710-0428	Hex Bolt 1/4-28 x 1.25" Lg.*			
65	732-0568	Ext. Spring			
66	732-0384	Ext. Spring .62" O.D. x 6.12"			
67	16554A	Variable Speed Torque Brkt. Ass'y.			
68	741-0419	Flanged Bearing			
69	714-0111	Cotter Pin 3/32" Dia.*			
70	748-0234	Shoulder Spacer .27" Lg.			

**REAR WHEEL CHART

Description	20" x 8.0" (Round Shoulder)	20" x 8.0" (Square Shoulder)
Wheel Ass'y. Comp.	734-1675	634-0104
Tire Only	734-1596	734-1730
Rim Only	634-0070	634-0070

Models 660 thru 679



Single Speed Transaxle—R.H.
Model 618-0163B

Models 660 thru 679

REF. NO.	PART NO.	DESCRIPTION	REF. NO.	PART NO.	DESCRIPTION
1	732-0614	Wire Ring	39	736-0371	FI-Wash. .344" I.D. x .875" O.D.
2	716-0231	"E"—Ring	40	717-0700	Actuating Arm
4	710-1325	Hex Tap Scr. 1/4-20 x 1.625 Lg.	41	761-0198	Brake Yoke
5	719-0367	Upper Housing	42	717-0682	Puck Plate
8	711-1109	Input Shaft	43	717-0678	Brake Puck
10	736-0335	Thrust Washer 5/8" I.D. x 1.25" O.D.	45	761-0202	Brake Disc
11	717-1464	Pinion Input 14T	46	741-0337	Flange Bearing 5/8" I.D. x 15/16" Lg.
12	716-0108	Retaining Ring	48	611-0011	Shift Fork Ass'y.
13	711-1003	Drive Shaft—R.H. Brake	49	741-0862	Ball Detent .250" Dia.
14	741-0336	Flange Brg. 5/8" I.D. x 3/4" Lg.*	50	732-0863	Spring Detent
15	717-1362	Bevel Gear 42T Small I.D.	52	741-0335	Needle Brg. 5/8" I.D. x 1/2" Lg.
16	717-1363	Bevel Gear 42T Large I.D.	54	736-0349	FI-Wash. 5/8" I.D. x 1" O.D. x .020 Thk.
17	718-0228	Clutch Collar	55	741-0343	Actuating Pin 5/16" Dia.
21	710-0862A	Pan Head Scr. 1/4-20 x .50" Lg.	56	710-1206	Hex Wash Hd. Self-Tap Scr. 1/4-20
23	741-0340	Sleeve Bearing 3/4" I.D. x 1.0" Lg.	58	736-0349	FI-Wash. 5/8" I.D. x 1" O.D. x .020 Thk.
24	721-0338	Oil Seal 3/4" I.D.		736-0495	Thrust Wash. 5/8" I.D. x 1" O.D. x .025"
26	736-0445	FI-Wash. .760" I.D. x 1.5" O.D.	60	**	Washer (See Below)
32	**	Washer (See Below)	61	736-0519	Thrust Washer
34	719-0313B	Lower Housing	62	618-0162	Differential Ass'y.
35	718-0150	Anti-Rotation Brkt.	63	732-0742	R.H.—Brake Spring
37	**	Washer (See Below)	—	737-0148	Grease—Shell (15 oz.)
38	712-0273	Hex Nut 5/16-24 Thd.			

*For faster service obtain standard nuts, bolts and washers locally. If these items cannot be obtained locally, order by part number and size as shown on parts list.

** Ref. No. 32

736-0495 Thrust Wash. 5/8" I.D. x 1" O.D. x .025" Thk.
 736-0336 FI-Wash. 5/8" I.D. x 1" O.D. x .030" Thk.
 736-0494 Thrust Wash. 5/8" I.D. x 1" O.D. x .035" Thk.
 736-0337 FI-Wash. 5/8" I.D. x 1" O.D. x .040" Thk.

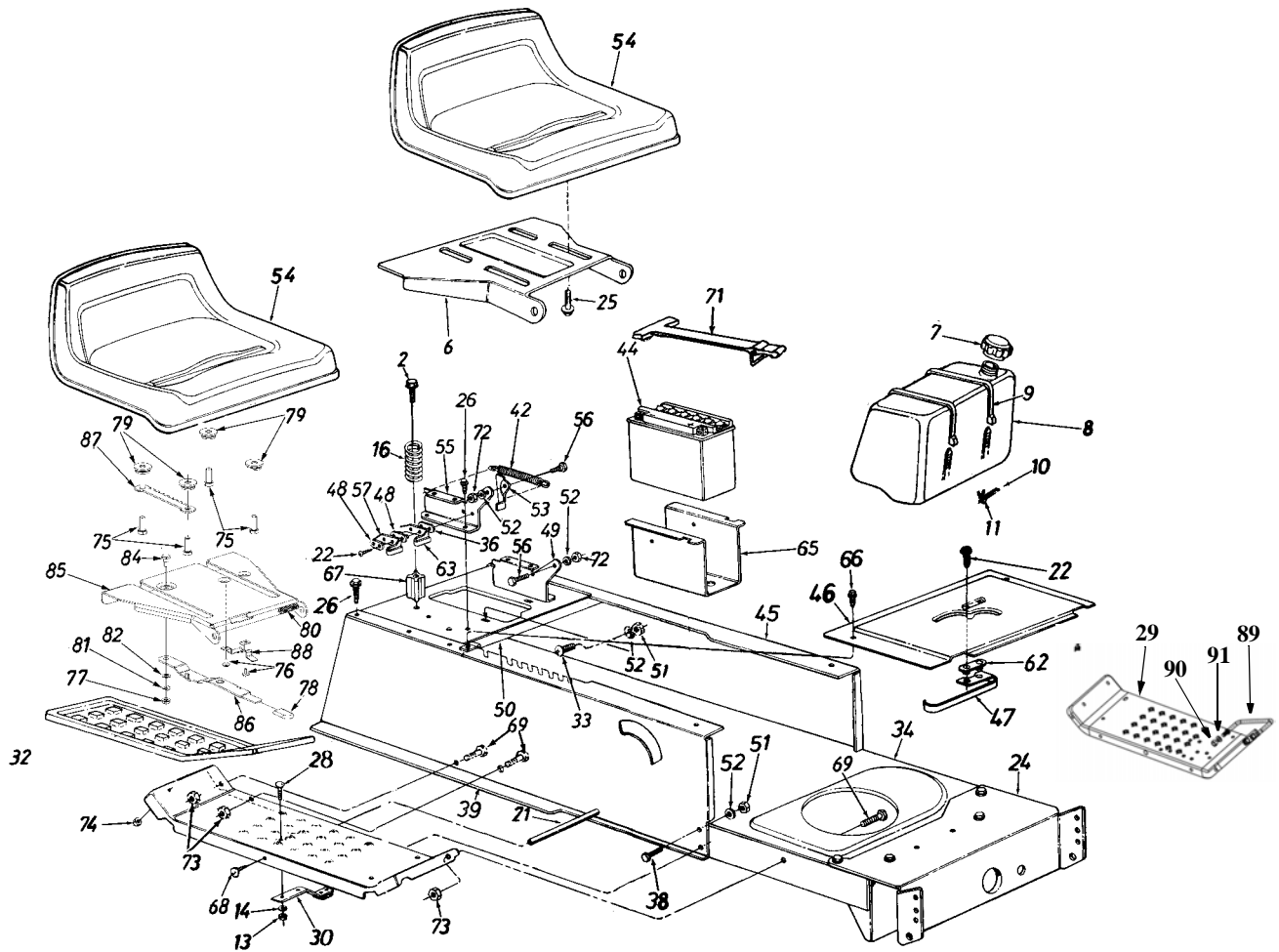
**Ref. No. 37

736-0349 FI-Wash. 5/8" I.D. x 1" O.D. x .020" Thk.
 736-0336 FI-Wash. 5/8" I.D. x 1" O.D. x .030" Thk.
 736-0337 FI-Wash. 5/8" I.D. x 1" O.D. x .040" Thk.

**Ref. No. 60

736-0492 FI-Wash. .76" I.D. x 1.5" O.D. x .010" Thk.
 736-0493 FI-Wash. .76" I.D. x 1.5" O.D. x .020" Thk.
 736-0351 FI-Wash. .76" I.D. x 1.5" O.D. x .030" Thk.
 736-0445 FI-Wash. .76" I.D. x 1.5" O.D. x .060" Thk.

Models 660 thru 679

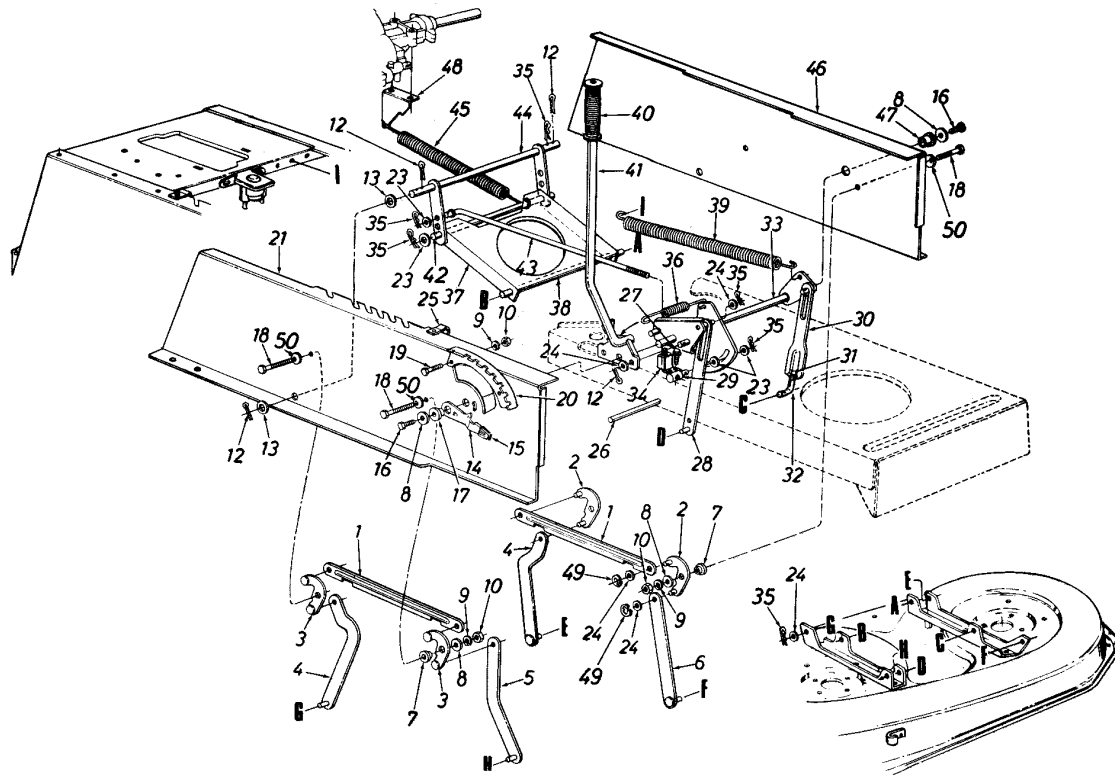


Models 660 thru 679

REF. NO.	PART NO.	DESCRIPTION	REF. NO.	PART NO.	DESCRIPTION
2	710-1208	Hex Tap Scr. 5/16-18 x 3.25"	54	757-0363A	Seat 8-7/8" High
6	783-0039A	Seat Pivot Bracket		757-0364A	Seat 8-7/8" High (Yellow)
7	751-0603	Fuel Cap		757-0360A	Seat 10-5/8" High
8	751-0555	Fuel Tank (1.5 Gal)		757-0365	Seat 10-5/8" High (Yellow)
	751-0657	Fuel Tank (3 Gal.)		757-0348A	Seat 14-1/4" High
9	726-0209	Tie Strap		757-0372	Seat 14-1/4" High (Yellow)
10	751-0535-15	Fuel Line		757-0350	Seat 14-1/4" High w/ Drain holes
11	726-0205	Hose Clamp	55	17950A	Seat Pivot Brkt. Support—R.H.
13	712-0287	Hex Nut 1/4-20 Thd.*	56	738-0296	Shld. Bolt .437" Dia. x .268"
14	736-0329	L-Wash. 1/4" I.D.	57	725-1303	Spring Switch (Seat—Outer)
16	732-0735	Compression Spring	59	710-0650	Hex TT-Tap Scr. 5/16-18 x 7/8"
21	738-0526	Running Board Rod	62	726-0320	Insulatop Nut Plate
22	710-0227	Hex AB-Tap Scr. #8 x .50" Lg.	63	725-1439	Safety Switch (Seat—Inner)
23	726-0139	Speed Nut #10Z	65	783-0345	Battery Tray
24	783-0041A	Front Pivot Brkt.	66	710-0351	Truss Mach. B-Tap Scr.#10 x .5" Lg.
25	710-0870	Hex Tap Scr. 3/8-16 x .62" Lg.	67	748-0347	Spring Spacer
26	710-0726	Hex Wash. Hd. AB-Tap Scr.5/16 x .75"	68	710-0323	Truss Mach. Scr. 5/16-18 x .75"
28	710-0134	Carriage Bolt 1/4-20 x .62"	69	710-3008	Hex Bolt 5/16-18 x .75" Lg.*
29	17770D	Running Board (R.H. & L.H.)	70	731-0405	Snap Bushing
30	761-0168B	Blade Brake Ass'y.	71	723-3064	Battery Retainer Strap
32	731-0909	Rubber Foot Pad—L.H.**	72	712-3010	Hex Nut 5/16-18 Thd.
	731-0910	Rubber Foot Pad—R.H.**	73	712-0265	Hex Sems Nut 5/16-18 Thd.
	723-0422	Abrasive Foot Pad**	74	712-0271	Hex Sems Nut 1/4-20 Thd.
34	783-0310C	Lower Frame	75	738-1007	Shoulder Screw 3/8-16 x .5**
36	726-0278	Insulator Boss Plate	76	710-1268	Hex Wash. Hd. B-Tap Scr.**
37	736-0264	FI-Wash. .344" I.D. x .625" O.D.	77	712-3027	Hex Flanged L-Nut 1/4-20 Thd. **
38	710-3008	Hex Bolt 5/16-18 x .75" Lg.*	78	720-0309A	Seat Adjustable Grip **
39	783-0042B	Upper Frame—R.H.	79	731-1989	Spacer **
42	732-0581B	Extension Spring 5.31" Lg.	80	732-0499	Compression Spring 1.5" Lg. **
44	725-1707D	12-V Battery	81	736-0175	Spring Wash. .265" I.D. **
45	783-0043	Upper Frame—L.H.	82	736-0204	FI-Wash. .344" I.D. x .62" O.D. **
46	—	Shift Cover (Refer to Style Page)	84	738-0137A	Shld. Bolt .34" x 1/4 -20 Thd. **
47	725-1643	Reverse Safety Switch	85	783-0607A	Seat Pivot Bracket **
48	726-0279	Insulator Plate	86	783-0609	Seat Lever **
49	17951A	Seat Pivot Brkt. Support—L.H.	87	783-0753	Seat Selector **
50	783-0355A	Hitch Plate	88	783-0611	Seat Stop **
51	712-0267	Hex Nut 5/16-18 Thd.*	89	747-1216	Stop Rod
52	736-0119	L-Wash. 5/16" I.D.*	90	712-3017	Hex Nut 3/8-16
53	17239A	Seat Lift Brkt.	91	736-0169	Lock Washer

** Optional

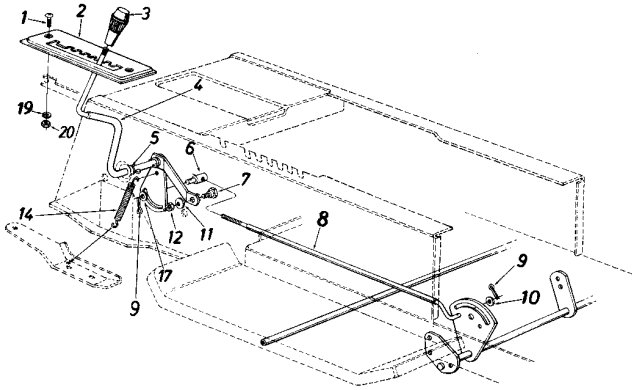
Models 660 thru 679



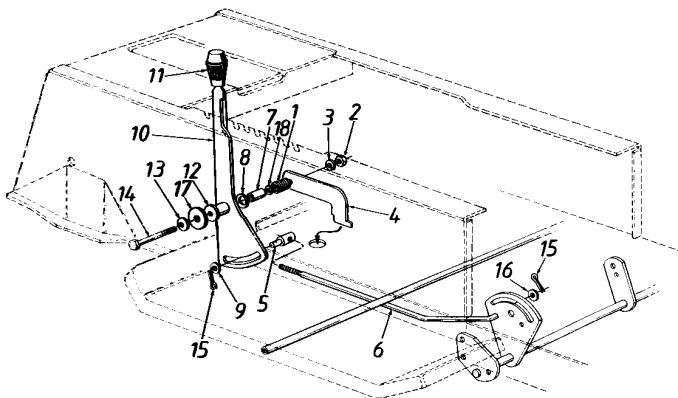
REF. NO.	PART NO.	DESCRIPTION	REF. NO.	PART NO.	DESCRIPTION
1	783-0103	Connecting Rod	27	710-3007	Hex Wash. Hd. Tap Scr.
2	683-0029A	Pivot Link Ass'y.—L.H.	28	14802A	Link Deck Lift Ass'y.
3	683-0028A	Pivot Link Ass'y.—R.H.	29	711-0723A	Adj. Ferrule 3/8-24 Thd.
4	17710	Deck Hanger Link Ass'y.	30	17712	Adj. Deck Lift Link
5	14800A	Deck Hanger Link Ass'y.	31	712-3066	Hex Nut 1/2-20 Thd. (Gr. 5)
6	14804A	Deck Hanger Link Ass'y.	32	711-0841	Lift Link Adjuster
7	748-0331	Shld. Spacer .318" I.D.	33	17637A	Lift Shaft Ass'y.
8	736-0231	Fl-Wash. .344" I.D. x 1.125" O.D.	34	725-1657A	Safety Switch (Deck)
9	736-0119	L-Wash. 5/16" I.D.*	35	714-0145	Inter. Cotter Pin 3/8" Dia.
10	712-3004A	Flange Lock Nut 5/16-18 Thd. (Gr. 5)	36	732-0637	Extension Spring
12	714-0470	Cotter Pin 1/8" Dia.	37	17636C	Stabilizer Bracket
13	736-0256	Fl-Wash. .635" I.D. x 1.0" O.D.	38	738-0670A	Shaft 1/2" Dia. x 10.28" Lg.
14	683-0003	Hgt Adj. Stop Lever Ass'y. (Incl. #15)†	39	732-0638	Extension Spring
15	08540	Knob†	40	720-0233	Grip (Lift Handle)
16	710-0604A	Hex Wash. TT-Tap Scr.5/16-18 x .75"	41	97675A	Deck Lift Handle Ass'y.
17	748-0176	Flange Brg. .63" I.D.†	42	738-0669	Shaft 3/8" Dia. x 9.34" Lg.
18	710-1238	Hex Wash. Hd. Scr. 5/16-18x .875" Lg.	43	747-0598	Disengagement Rod
19	710-3008	Hex Bolt 5/16-18 x .75" Lg.	44	97624	Stabilizer Shaft Ass'y.
20	17730	Index Brkt.	45	732-0556	Extension Spring 7.58" Lg.
21	783-0042B	Upper Frame—R.H.	46	783-0043	Upper Frame—L.H.
23	736-0267	Fl-Wash. .385" I.D. x .87" O.D.	47	741-0313	Flange Brg. .632" I.D.
24	736-0160	Fl-Wash. .531" I.D. x .93" O.D.	48	17128A	Spring Retainer Brkt.
25	726-0272	Clamp	49	716-0104	"E"-Ring
26	738-0526	Running Board Rod	50	736-0425	Bell-Wash. .325" I.D.

† Optional

Models 660 thru 679

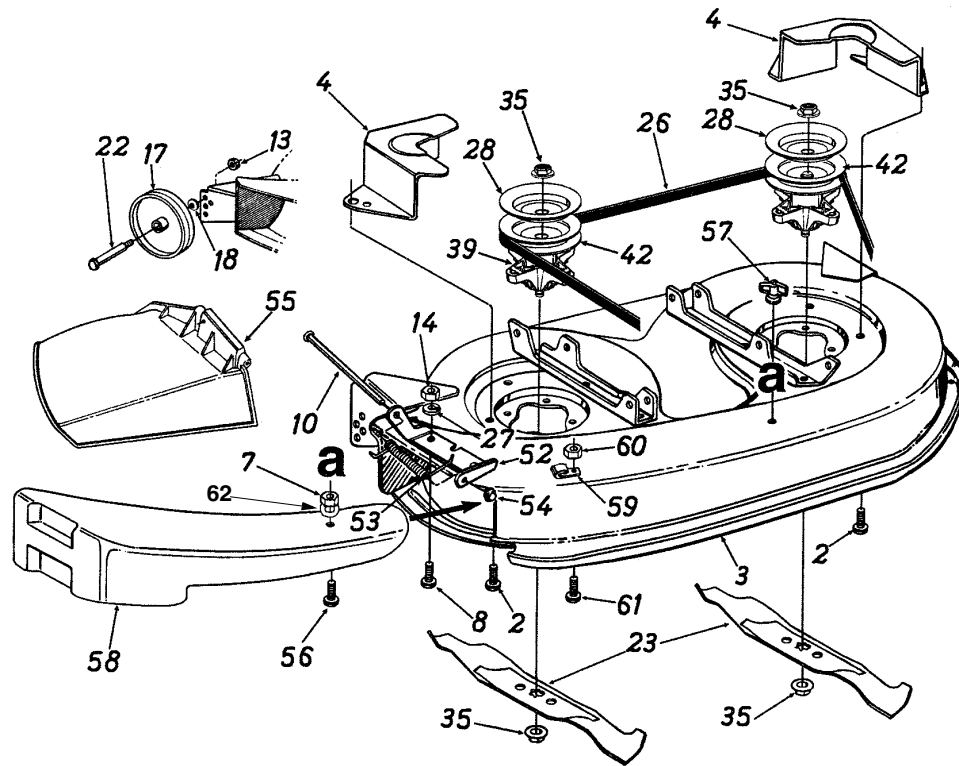


REF NO.	PART NO.	DESCRIPTION
1	710-0924	Truss Mach. Scr. 1/4-20 x.75" Lg.
2	16194A	7-Speed Selector Plate
3	720-0218	Shift Knob
4	16192A	Speed Selector Lever Ass'y.
5	736-0192	Flat Washer .53" I.D. x .93"
6	711-0198	Ferrule 3/8-24 x .37" Dia.
7	738-0155	Shoulder Bolt
8	747-0503A	Speed Control Link
9	714-0111	Cotter Pin 3/32" Dia. x 1.0"
10	736-0226	FI-Wash. .469" I.D. x .88"
11	736-0119	L-Wash. 5/16" I.D.*
12	712-3010	Hex Nut 5/16-18 Thd. (Gr. 5)
14	732-0303	Spring .38" O.D. x 3.18" Lg.
17	736-0300	FI-Wash. .385" I.D. x 7/8"
19	736-0329	L-Wash. 1/4" I.D.*
20	712-3006	Hex Nut 1/4-20 Thd. (Gr. 5)



REF. NO.	PART NO.	DESCRIPTION
1	732-0645	Compression Spring
2	712-0267	Hex Nut 5/16-18 Thd.*
3	736-0119	L-Wash. 5/16" I.D.*
4	17956	Shift Lever Support
5	711-0198	Ferrule 3/8-24 Thd.
6	747-0787	Speed Control Rod
7	750-0662	Spacer 1.56" Lg.
8	736-0253	Bell-Wash. .505" I.D. x 1"
9	736-0300	FI-Wash. .385" I.D. x .87"
10	17888A	Speed Selector Lever
11	720-0232	Shift Knob
12	750-0913	Spacer 1.46" Lg.
13	736-0159	FI-Wash. .345" I.D. x .88"
14	710-3056	Hex Bolt 5/16-18 x 3.25" Lg.
15	714-0111	Cotter Pin 3/32" Dia. x 1"
16	736-0226	FI-Wash. .469" I.D. x .88"
17	736-0418A	FI-Wash. .34" I.D. x 2.25"
18	726-0201	Speed Nut 5/16-18 Thd.

Deck "F"



REF. NO.	PART NO.	DESCRIPTION	REF. NO.	PART NO.	DESCRIPTION
2	710-1260A	Hex Wash. TT-Tap Scr. 5/16-18 x .75"	33	710-0157	Hex Bolt 5/16-24 x .75" Lg.
3	683-0129	38" Deck Ass'y. **	35	712-0417A	Hex Flange Nut 5/8-18 Thd.†
	753-0694	38" Deck Ass'y. Comp.(For Service) **	37	736-0158	L-Wash. 5/8" I.D.*
4	783-0343A	Belt Guard Deck	39	618-0138	Blade Spdl Ass'y. (Incl. Ref. 28, 35, 42)
7	712-3006	Hex L-Nut 1/4-20 Thd.††	42	756-0969	5" Dia. Pulley†
8	710-0751	Hex Bolt 1/4-20 x .62"	52	703-1693	Hinge Mtg. Brkt.
10	711-0792	Hinge Pin	53	732-0602	Torsion Spring
13	712-0181	Hex Top L-Nut 3/8-16 Thd.	54	726-0106	Push Nut
14	712-3006	Hex Nut 1/4-20 Thd. (Gr. 5)	55	731-1032	Chute Ass'y. (Incl. Ref.10, 52, 53, 54, 55)
17	734-0973	Deck Wheel—5"	56	710-0597	Hex Bolt 1/4-20 x 1" Lg.††
18	736-0105	Bell-Wash. .40" I.D. x .88" O.D.	57	712-3087	Wing Nut 1/4-20 Thd. ††
22	738-0373	Shld. Bolt .498" Dia. x 1.53"	58	731-1643A	Mulching Plug ††
23	742-0610	3 in 1 Blade	59	16606	Retainer Hook Brkt.
26	754-0329A	V-Belt	60	712-3027	Hex Flange Nut 1/4-20 Thd.
27	736-0270	Bell-Wash. 1/4" I.D.	61	710-0751	Hex Bolt 1/4-20 x .62" Lg.
28	783-0342	Brake Disc	62	736-0173	Flat Washer .28 ID x .74 OD

† Deck pulleys and blade nuts must be torqued to 100 ft. lbs. if removed or replaced.

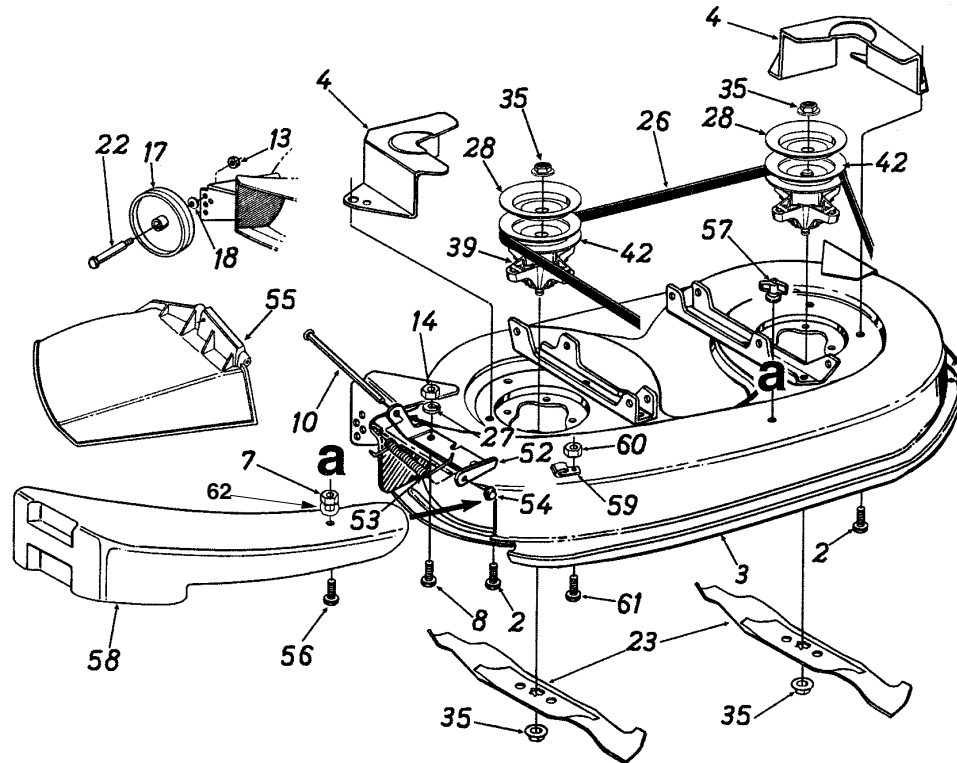
†† Optional

** Must be ordered with 4 digit color code.

IMPORTANT: For a proper working machine, use Factory Approved Parts.

V-BELTS are specially designed to engage and disengage safely. A substitute (non OEM) V-belt can be dangerous by not disengaging completely.

Deck "G"



REF. NO.	PART NO.	DESCRIPTION	REF. NO.	PART NO.	DESCRIPTION
2	710-1260A	Hex Wash. TT-Tap Scr. 5/16-18 x .75"	33	710-0157	Hex Bolt 5/16-24 x .75" Lg.
3	683-0141A	42" Deck Ass'y. **	35	712-0417A	Hex Flange Nut 5/8-18 Thd.†
	753-0698	42" Deck Ass'y. Comp.(For Service) **	37	736-0158	L-Wash. 5/8" I.D.*
4	783-0149	Belt Guard Deck	39	618-0142	Blade Spindle Ass'y. (Incl. Ref. 28, 35, 42)
7	712-3006	Hex L-Nut 1/4-20 Thd.††	42	756-0980	5.75" Dia. Pulley†
8	710-0751	Hex Bolt 1/4-20 x .62"	52	703-1693	Hinge Mtg. Brkt.
10	711-0792	Hinge Pin	53	732-0602	Torsion Spring
13	712-0181	Hex Top L-Nut 3/8-16 Thd.	54	726-0106	Push Nut
14	712-3006	Hex Nut 1/4-20 Thd. (Gr. 5)	55	731-1032	Chute Ass'y. (Incl. Ref.10, 52, 53, 54, 55)
17	734-0973	Deck Wheel—5"	56	710-0597	Hex Bolt 1/4-20 x 1" Lg.††
18	736-0105	Bell-Wash. .40" I.D. x .88" O.D.	57	712-3087	Wing Nut 1/4-20 Thd.††
22	738-0373	Shld. Bolt .498" Dia. x 1.53"	58	731-1643A	Mulching Plug ††
23	742-0616	3 in 1 Blade	59	16606	Retainer Hook Brkt.
26	754-0371A	V-Belt	60	712-3027	Hex Flange Nut 1/4-20 Thd.
27	736-0270	Bell-Wash. 1/4" I.D.	61	710-0751	Hex Bolt 1/4-20 x .62" Lg.
28	783-0342	Brake Disc	62	736-0173	Flat Washer .28 ID x .74 OD

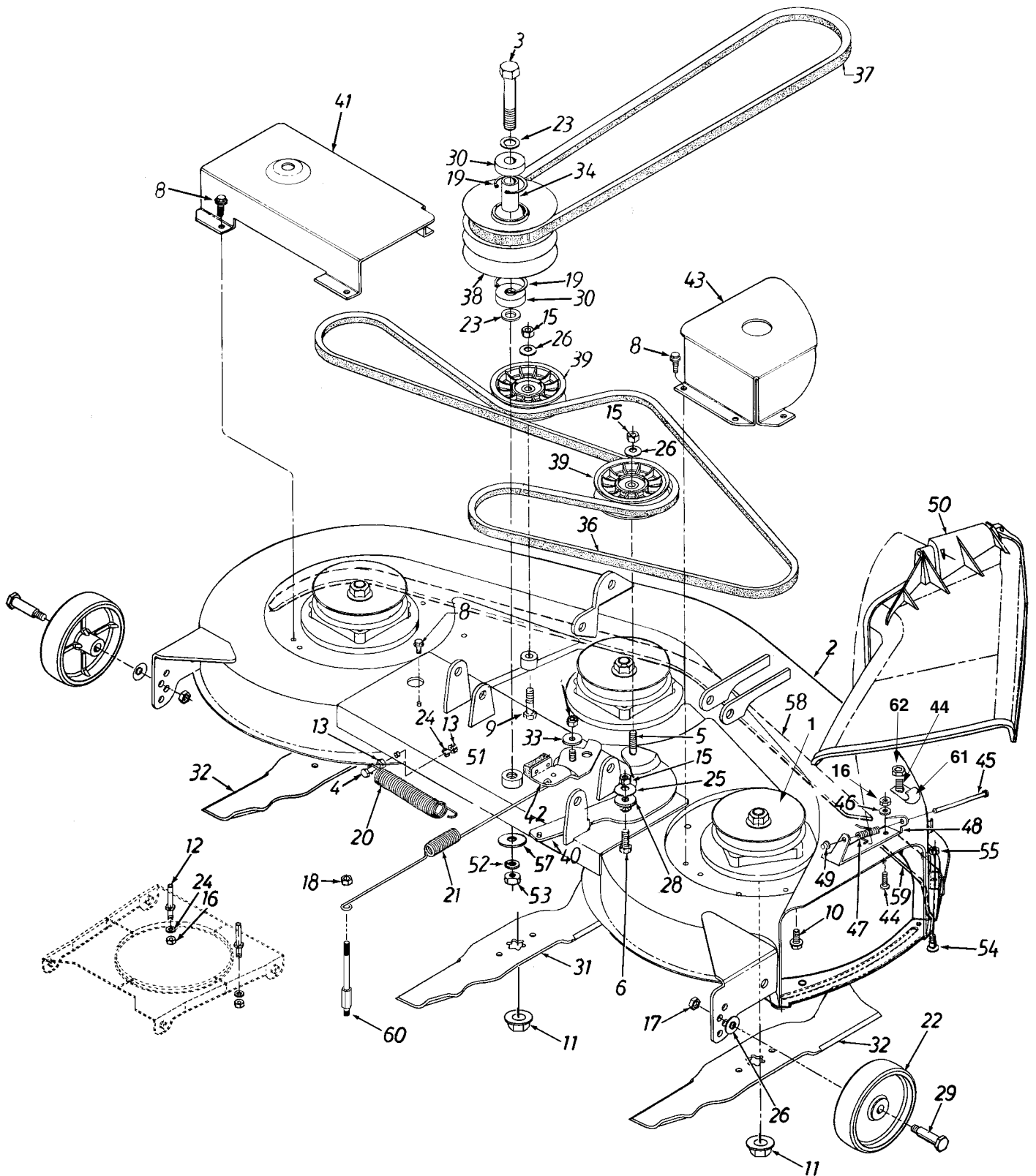
** Must be ordered with 4 digit color code

†† Optional

IMPORTANT: For a proper working machine, use Factory Approved Parts.

V-BELTS are specially designed to engage and disengage safely. A substitute (non OEM) V-belt can be dangerous by not disengaging completely.

Deck "H"



Deck "H"

REF NO.	PART NO.	DESCRIPTION	REF NO.	PART NO.	DESCRIPTION
1	618-0240	Blade Spindle Ass'y.	32	742-0644	Blade 16.28" Lg.
2	983-0120A	46" Deck Ass'y. **	33	748-0234	Shoulder Spacer
	913-06921	46" Deck Ass'y. Comp. (For Service) **	34	750-0932A	Spacer .635" I.D. x .088" O.D.
3	710-3151	Hex Bolt 5/8-18 x 4.25" Lg.	36	754-0440	V-Belt
4	710-0428	Hex Bolt 1/4-28 x 1.25" Lg.	37	754-0439	V-Belt
5	710-0459A	Hex Bolt 3/8-24 x 1.5" Lg.	38	756-0638	Pulley Double Deck 5" O.D.
6	710-1039	Hex Bolt 3/8-24 x 1" Lg.	39	756-0627	Flat Idler Pulley 3.5 O.D.
8	710-0599	Hex Wash. Hd. TT-Tap Scr.	40	783-0046	Idler Deck Bracket
9	710-0151	Hex Bolt 3/8-24 x 2" Lg.	41	783-0063A	Belt Cover L.H.
10	710-1260A	Hex Flange Bolt 5/16-24 x .75"	42	17116	Deck Brake Brkt. Ass'y.
11	712-0417A	Hex Flange L-Nut 5/8-18 Thd.	43	17258A	Belt Cover Brkt. R.H.
12	711-0993	Belt Guard Pin	44	710-0751	Hex Bolt 1/4-20 x .62" Lg.
13	712-0138	Hex Nut 1/4-28 Thd.	45	711-0792	Hinge Pin
14	712-0429	Hex Ins. L-Nut 5/16-18 Thd.	46	736-0270	Bell-Wash. 1/4" I.D.
15	712-0241	Hex Nut 3/8-24 Thd.	47	732-0602	Torsion Spring
16	712-3006	Hex Nut 1/4-20 Thd. (Gr. 5)	48	703-1693	Hinge Mtg. Brkt.
17	712-0181	Hex Top Jam Nut 3/8-16 Thd.	49	726-0106	Push Nut
18	712-0158	Hex Center L-Nut 5/16-18 Thd.	50	731-1032	Chute Ass'y. Comp. (Incl. Ref. 45, 47, 48, 49, 50)
19	716-3020	Int. Snap Ring	51	750-0960	Spacer .635" I.D. x 1" O.D.
20	732-0594A	Ext. Spring .88" O.D. x 6.17"	52	736-0158	L-Wash. 5/8" I.D.
21	732-0723	Ext. Spring .788" O.D. x 15.5"	53	712-0337	Hex Nut 5/8-18 Thd.
22	734-0973	Deck Wheel	54	710-0167	Carriage Bolt 1/4-20 x .5" Lg.
23	736-0290	Fl-Wash. .635" I.D. x 1" O.D.	55	712-0271	Hex Sems Nut 1/4-20 Thd.
24	736-0329	L-Wash. 1/4" I.D.*	57	736-3088	Fl-Wash. .635" I.D.
25	736-0331	Bell-Wash. 3/8" x 1.125" x .062"	58	783-0141	Center Deck Skirt
26	736-0105	Bell-Wash. 3/8" x .87" x .064"	59	783-0142	R.H. Deck Skirt
28	738-0347	Shoulder Spacer .625" I.D.	60	738-0999	Return Spring Stud
29	738-0373	Shld. Bolt .498" x 1.525"	61	16606	Retainer Hook Bracket
30	741-0524	Ball Brg. .625" I.D. x 1.574" O.D.	62	712-3027	Hex Lock Nut 1/4-20
31	742-0645	Blade 14.88" Lg.			

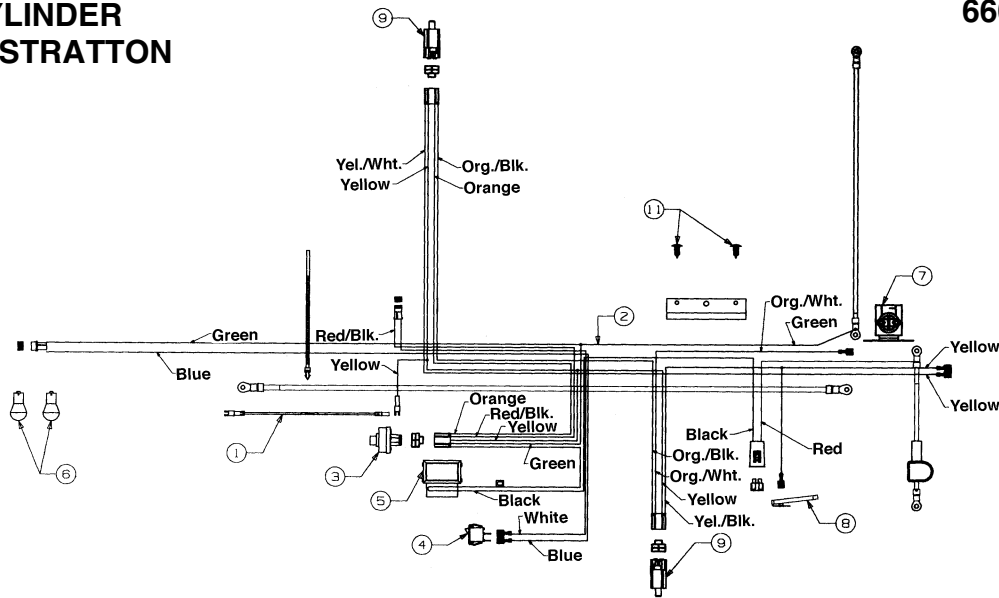
** Must be ordered with 4 digit color code.

IMPORTANT: For a proper working machine, use Factory Approved Parts.

V-BELTS are specially designed to engage and disengage safely. A substitute (non OEM) V-belt can be dangerous by not disengaging completely.

**SINGLE CYLINDER
BRIGGS & STRATTON**

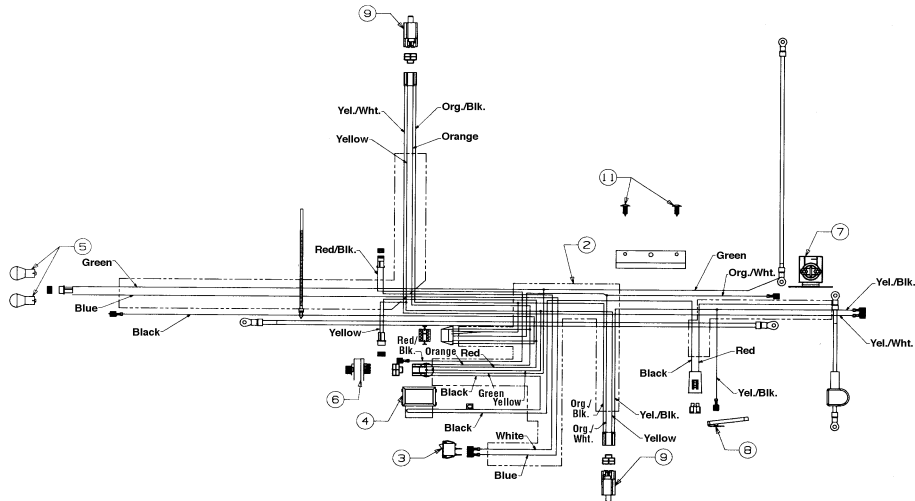
660 THRU 679



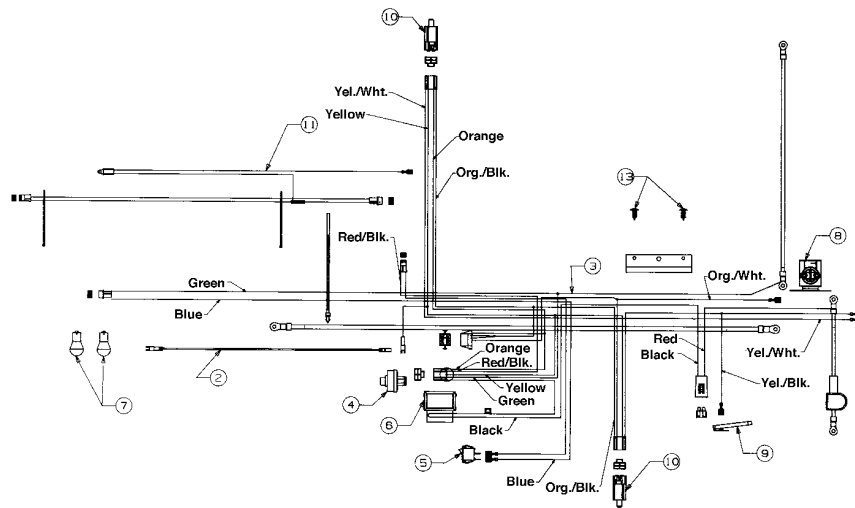
Ref. No.	Part No.	Description	Ref. No.	Part No.	Description
1	629-0207	Harness Adapter (Mag.)	6	725-0963	Bulb (Headlight)
2	629-0302B	Wire Harness w/Light Switch and Amp	7	725-1426	Solenoid
	629-0301D	Wire Harness w/o Light Switch and Amp	8	725-1643	Safety Switch (Reverse)
3	725-0267	Ignition Switch	9	725-1657A	Safety Switch
4	725-0634	Light Switch (Optional)	11	726-3046	Ratchet
5	725-0925	Ammeter (Optional)			

OVER HEAD VALVE

660 THRU 679

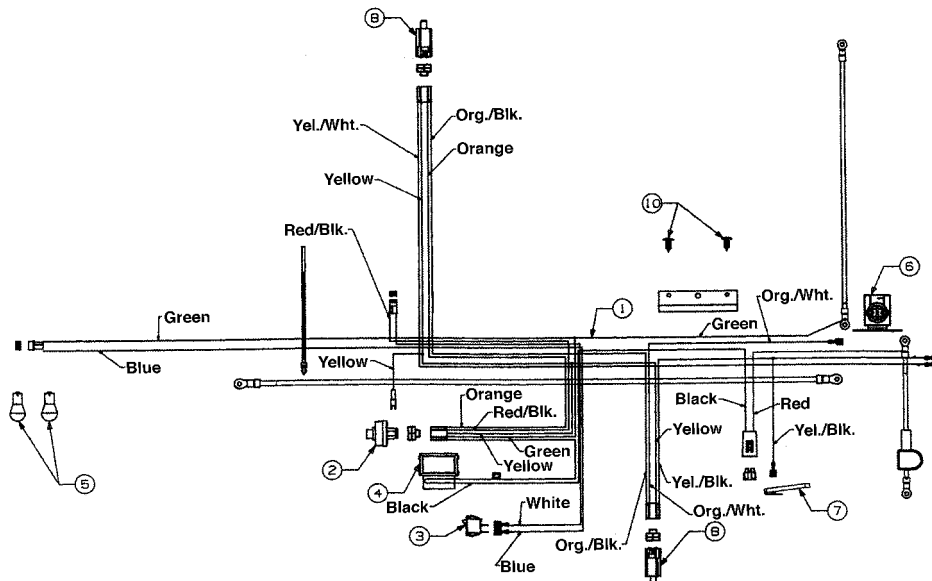


Ref. No.	Part No.	Description	Ref. No.	Part No.	Description
2	629-0305D	Wire Harness w/Light Switch and Amp	7	725-1426	Solenoid
	629-0304B	Wire Harness w/o Light Switch and Amp	8	725-1643	Safety Switch (Reverse)
3	725-0634	Light Switch (Optional)	9	725-1657A	Safety Switch
4	725-0925	Ammeter (Optional)	11	726-3046	Ratchet
5	725-0963	Bulb (Headlight)			
6	725-1396	Ignition Switch			



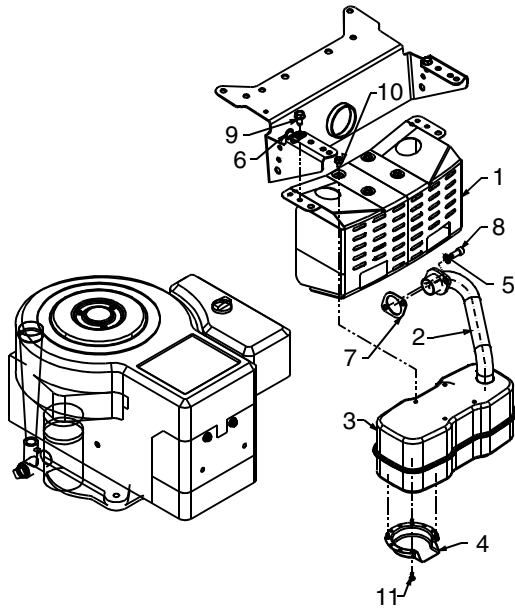
Ref. No.	Part No.	Description	Ref. No.	Part No.	Description
2	629-0208	Harness Adapter	8	725-1426	Solenoid
3	629-0302D	Wire Harness w/Light Switch & Amp	9	725-1643	Safety Switch (Reverse)
	629-0301D	Wire Harness w/o Light Switch & Amp	10	725-1657A	Safety Switch
4	725-0267	Ignition Switch	11	629-0125	Harness Adapter (Alt.)
5	725-0634	Light Switch	13	726-3046	Ratchet
6	725-0925	Ammeter			
7	725-0963	Bulb			

TECUMSEH



Ref. No.	Part No.	Description	Ref. No.	Part No.	Description
1	629-0302D	Wire Harness w/Light Switch & Amp	6	725-1426	Solenoid
	629-0301D	Wire Harness w/o Light Switch & Amp	7	725-1643	Safety Switch (Reverse)
2	725-0267	Ignition Switch	8	725-1657A	Safety Switch
3	725-0634	Light Switch (Optional)	10	726-3046	Ratchet
4	725-0925	Ammeter (Optional)			
5	725-0963	Bulb (Headlight)			

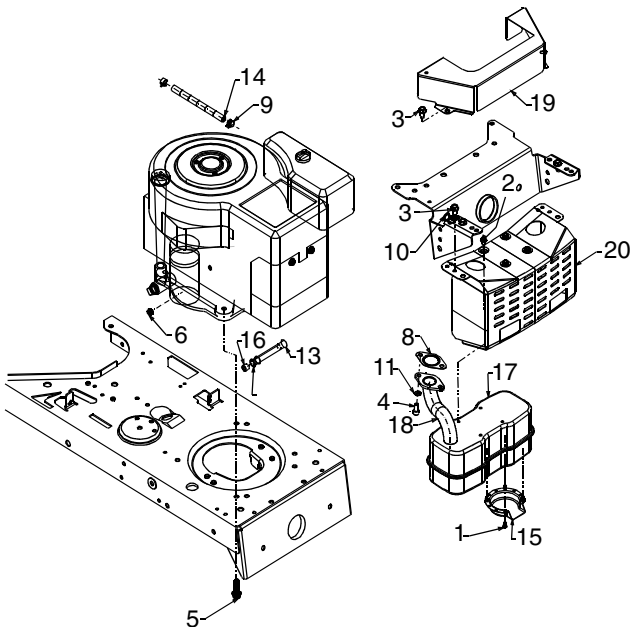
SINGLE CYLINDER



660 THRU 679

Ref. No.	Part No.	Description
1	783-0615	Muffler Bracket
2	751-0618	Exhaust Pipe
3	751-0617	Muffler
4	751-0564	Muffler Deflector
5	736-0119	L-Wash. 5/16" I.D.*
6	726-0272	Clamp
7	721-0208	Exhaust Gasket
8	710-1314	Socket Hd. Bolt 5/16-18 x .62" Lg.
9	710-0604	Hex Wash Hd. TT-Tap Scr. 5/16-18 x .62" Lg.
10	710-0599	Hex Wash. TT-Tap Scr. 1/4-20 x .5" Lg.
11	710-0148	Hex Slot Scr. #8-32 x .38" Lg.

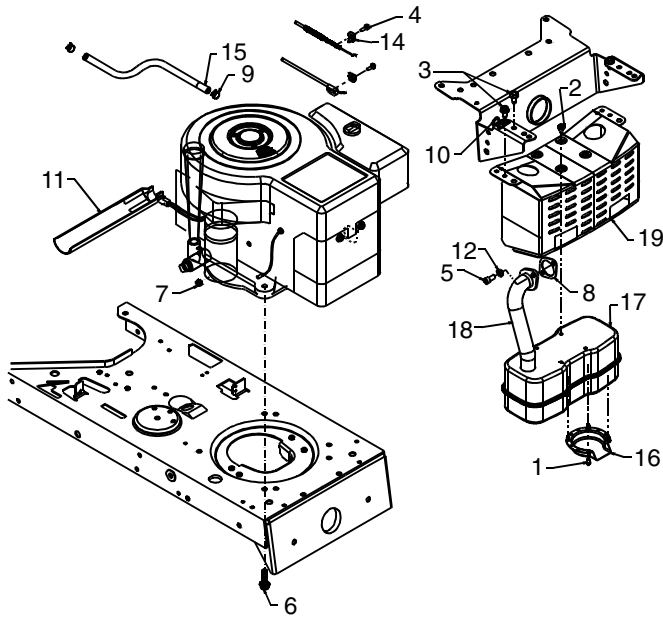
TECUMSEH



660 THRU 679

Ref. No.	Part No.	Description
1	710-0148	Hex Bolt #8-32 x .38" Lg.
2	710-0599	Hex Wash. Hd. TT-Scr. 1/4-20 x .5" Lg.
3	710-0604	Hex Wash. Hd. TT-Scr. 5/16-18 x .62"
4	710-1314	Socket Hd. Bolt 5/16-18 x .62" Lg.
5	710-1315	Hex Wash. Hd. TT-Scr. 3/8-16 x 1.25"
6	712-0271	Hex Sems Nut 1/4-20 Thd.
8	721-0348	Exhaust Gasket
9	726-0205	Hose Clamp
10	726-0272	Clamp
11	736-0119	L-Wash. 5/16" I.D.*
13	737-0286	Pipe 3/8 NPT x 3.8" Lg. (16/17 HP)
	737-0199	Pipe 3/8 NPT x 2" Lg. (12/13 HP)
14	751-0535-12	Fuel Line
15	751-0564	Muffler Deflector
16	751-0572	Hex Pipe Plug (16/17 HP)
	737-0143	Oil Drain Cap (12/13 HP)
17	751-0617	Muffler
18	751-0620	Exhaust Pipe (16/17 HP)
	751-0622	Exhaust Pipe (12/13 HP)
19	783-0378A	Heat Shield (16/17 HP)
20	783-0615	Muffler Bracket

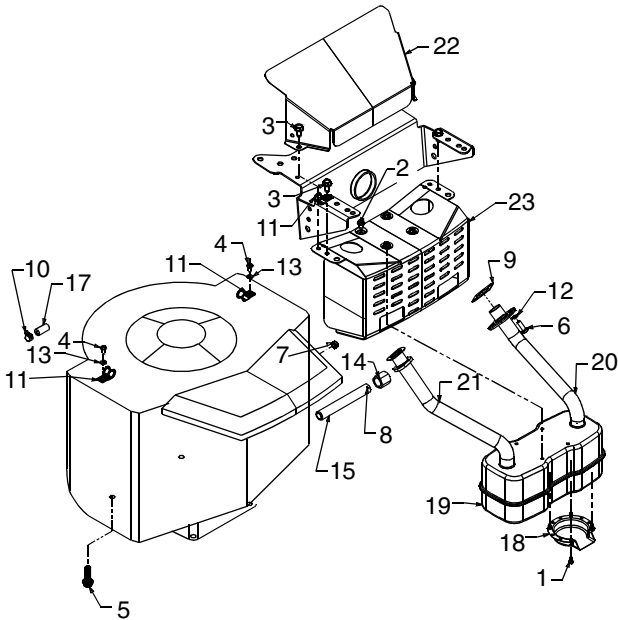
OVER HEAD VALVE



660 THRU 679

Ref. No.	Part No.	Description
1	710-0148	Hex Tap Scr. #8-32 x .38" Lg.
2	710-0599	Hex TT-Tap Scr. 1/4-20 x .5" Lg.
3	710-0604	Hex TT-Tap Scr. 5/16-18 x .62"
4	710-1237	Hex Wash. Scr. #10-32 x .62"
5	710-1314	Socket Head Scr. 5/16-18 x .62"
6	710-1315	Hex TT-Tap Scr. 3/8-16 x 1.25"
7	712-0271	Hex Sems Scr. 1/4-20 Thd.
8	721-0208	Gasket
9	726-0205	Hose Clamp
10	726-0272	Clamp
11	731-1682A	Oil Drain Sleeve
12	736-0119	Lock Washer 5/16" I.D.
14	751B213146	Casing Clamp
15	751-0535-12	Fuel Line 12" Lg.
16	751-0564	Muffler Deflector
17	751-0617	Muffler
18	751-0619	Exhaust Pipe
19	783-0615	Muffler Brkt.

TWIN CYLINDER

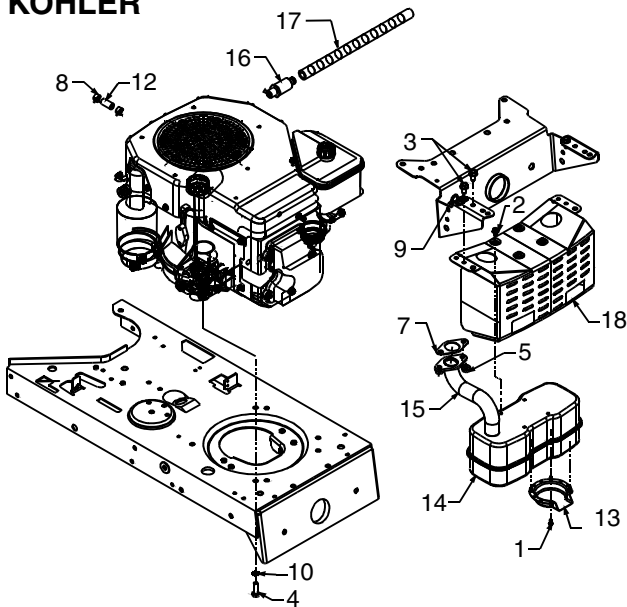


660 THRU 679

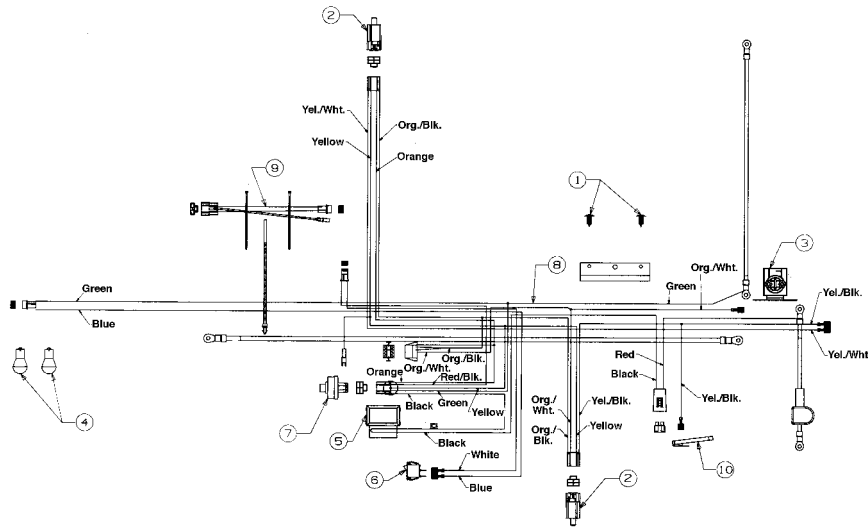
Ref. No.	Part No.	Description
1	710-0148	Hex Tap Scr. #8-32 x .38" Lg.
2	710-0599	Hex Wash. TT-Tap Scr. 1/4-20 x .5" Lg.
3	710-0604	Hex Wash. TT-Tap Scr. 5/16-18 x .62" Lg.
4	710-0779A	Truss Mach. Scr. #10 x .5" Lg.
5	710-1315	Hex Hd. Tap Scr. 3/8-16 x 1.25" Lg.
6	710-3015	Hex Bolt 1/4-20 x .75" Lg.
7	712-0271	Hex Sems Nut 1/4-20 Thd.
9	721-0346	Exhaust Gasket
10	726-0205	Hose Clamp
11	726-0272	Clamp
12	736-0329	L-Wash. 1/4" I.D.*
13	736-3067	Fl-Wash. .188" I.D. x .438" O.D.
14	737-0143	Oil Drain Cap
15	737-0164	Pipe Nipple 3/8 x 18 NPT.
17	751-0535-26	Fuel Line 26" Lg.
18	751-0564	Deflector: Muffler
19	751-0616	Muffler
20	751-0623	Exhaust Pipe—L.H.
21	751-0624	Exhaust Pipe—R.H.
22	783-0357A	Heat Shield
23	783-0615	Muffler Bracket

660 THRU 679

KOHLER



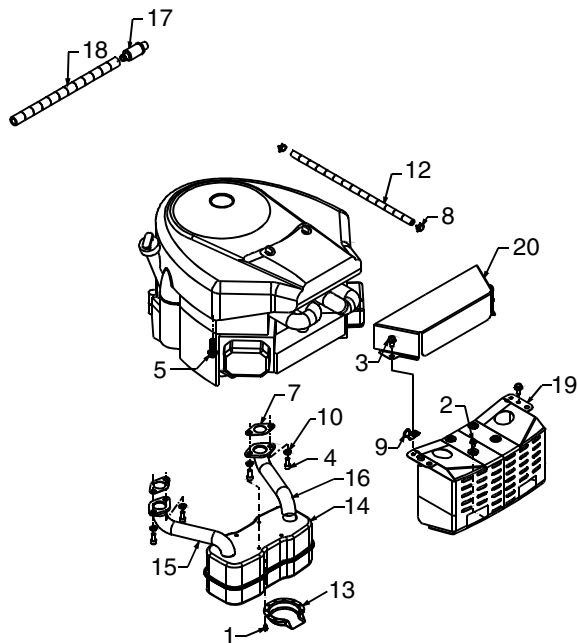
Ref. No.	Part No.	Description
1	710-0148	Hex Tap Scr. #8-32 x .38" Lg.
2	710-0599	Hex Wash. TT-Tap Scr. 1/4-20 x5" Lg.
3	710-0604	Hex Wash. TT-Tap Scr. 5/16-18 x .62"
4	710-3206A	Hex Bolt M8 x 1.25
5	712-3086	Hex Flange Nut M8 Thd.
7	721-0375	Exhaust Gasket
8	726-0205	Hose Clamp
9	726-0272	Clamp
10	736-0607	External L-Wash. 5/16" I.D.
12	751-0535-12	Fuel Line 12" Lg.
13	751-0564	Muffler Deflector
14	751-0617	Muffler
15	751-0621	Exhaust Pipe
16	751-3140	Oil Drain
17	751-3141	Oil Drain Hose
18	783-0615	Muffler Bracket.



660 THRU 679

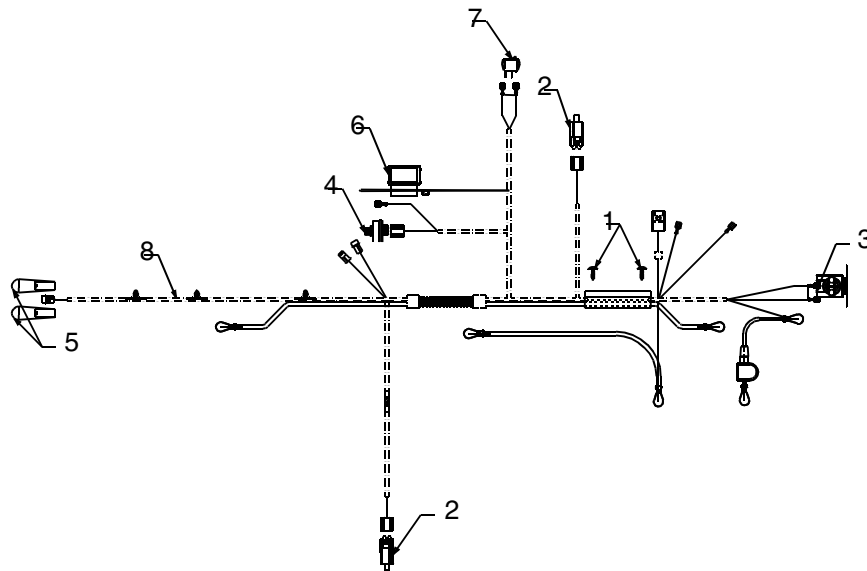
Ref. No.	Part No.	Description	Ref. No.	Part No.	Description
1	726-3046	Ratchet	6	725-0634	Light Switch
2	725-1657A	Safety Switch	7	725-0267	Ignition Switch
3	725-1426	Solenoid	8	629-0303B	Wire Harness
4	725-0963	Bulb (Headlight)	9	629-0209	Wire Harness Adapter
5	725-0925	Ammeter	10	629-0132	Wire Harness (Monitor)

Intek Twin



Ref. No.	Part No.	Description
1	710-0148	Hex Tap Scr. #8-32 x .38" Lg.
2	710-0599	Hex Wash. TT-Tap Scr. 1/4-20 x5" Lg.
3	710-0604	Hex Wash. TT-Tap Scr. 5/16-18 x .62"
4	710-1314	Socket Head Scr. 5/16-18 x .62"
5	710-1315	Hex TT-Tap Scr. 3/8-16 x 1.25"
7	721-0460	Exhaust Gasket
8	726-0205	Hose Clamp
9	726-0272	Clamp
10	736-0119	L-Wash. 5/16" I.D.
12	751-0535-12	Fuel Line 12" Lg.
13	751-0564	Muffler Deflector
14	751-0616	Muffler
15	751-0650	Exhaust Pipe-R.H.
16	751-0651	Exhaust Pipe-L.H.
17	751-3140	Oil Drain
18	751-3141	Oil Drain Hose
19	783-0615	Muffler Bracket
20	783-0625	Heat Shield

Intek Twin



Ref. No.	Part No.	Description	Ref. No.	Part No.	Description
1	726-3046	Ratchet	6	725-0925	Ammeter
2	725-1657A	Safety Switch	7	725-0634	Light Switch
3	725-1426	Solenoid	8	629-0305B	Wire Harness w/Lt./Amp
4	725-1396	Ignition Switch		629-0306B	Wire Harness w/Lt./Amp/Mon.
5	725-0963	Bulb (Headlight)			