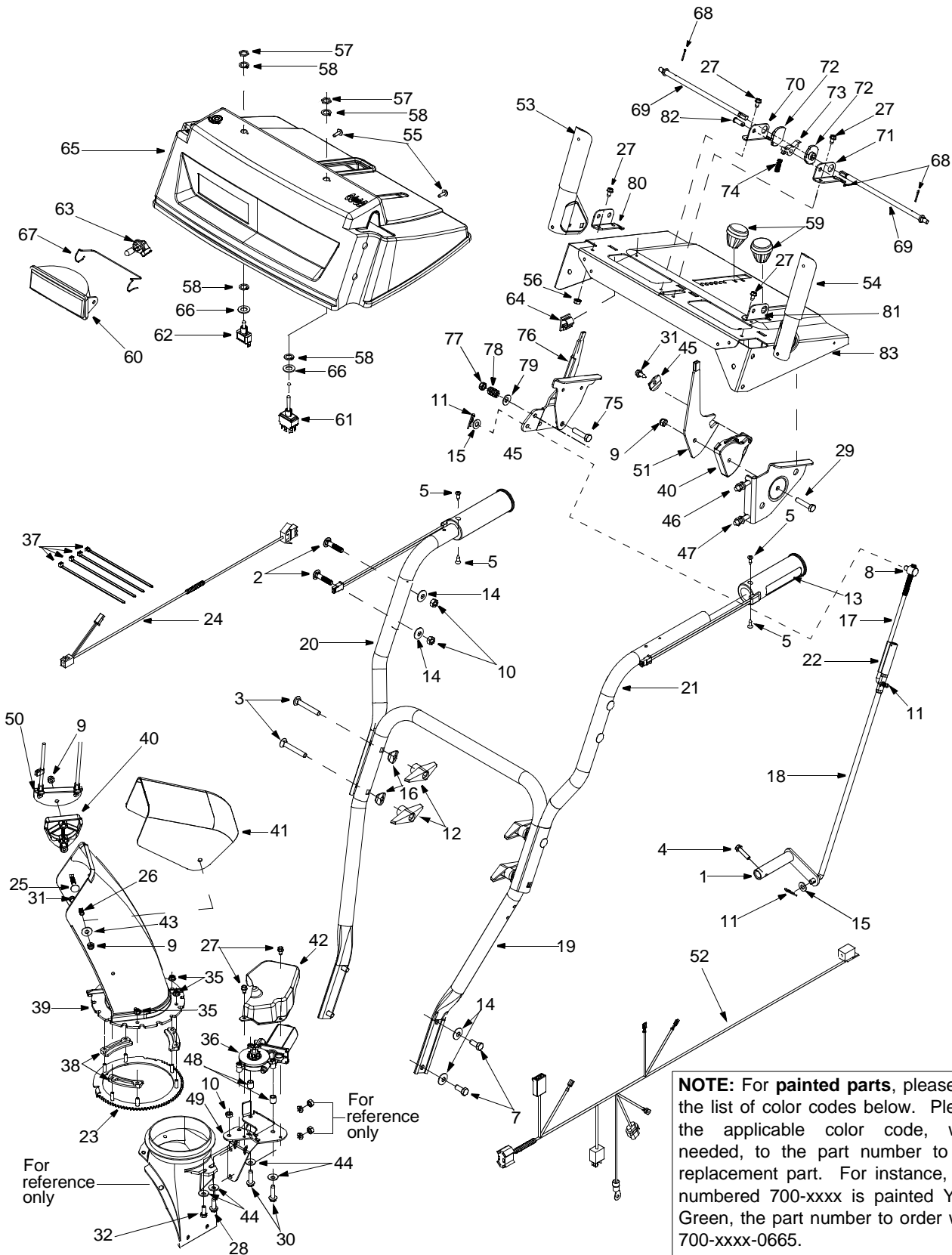


SECTION 10: PARTS LIST FOR MODEL 31AH553G401



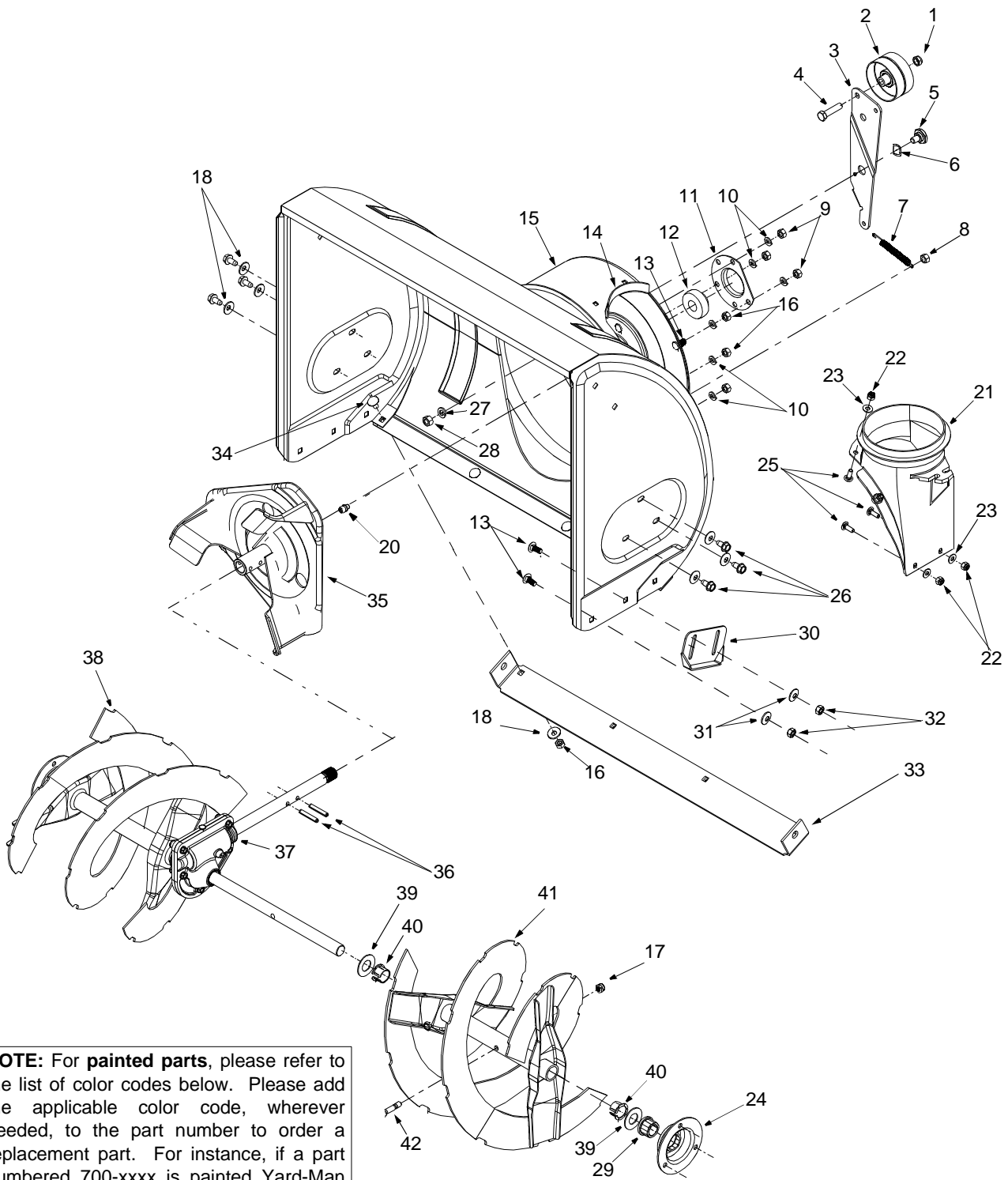
NOTE: For **painted parts**, please refer to the list of color codes below. Please add the applicable color code, wherever needed, to the part number to order a replacement part. For instance, if a part numbered 700-xxxx is painted Yard-Man Green, the part number to order would be 700-xxxx-0665.

Yard-Man Green: 0665
 Yard-Man Yellow: 0674
 Powder Black: 0637

MODEL 31AH553G401

Ref. No.	Part No.	Part Description	Ref. No.	Part No.	Part Description
1.	684-0008A	Shift Arm Assembly	45.	736-0506	Special Washer
2.	710-0262	Carriage Bolt 5/16-18 x 1.5"	46.	746-0896	Control Cable
3.	710-0449	Carriage Bolt 5/16-18 x 2.25"	47.	746-0901	Control Cable
4.	710-0788	TT Screw 1/4-20 x 1"	48.	750-1232	Spacer
5.	710-0837	C-Sunk Screw #10-16x 0.625"	49.	782-0599	Motor Bracket
7.	710-3008	Hex Screw 5/16-18 x .75"	50.	784-5594	Cable Bracket
8.	711-0677	Ferrule	51.	784-5604	Handle: Chute Tilt
10.	712-3010	Hex Nut 5/16-18	52.	629-0936	Harness Assembly: Upper
11.	714-0104	Cotter Pin	53.	684-0036	Handle Eng. Assembly RH
12.	720-0284	Handle Knob	54.	684-0037A	Handle Eng. Assembly LH
13.	725-1757	Heated Grip	55.	710-1003	Special Hex Screw
14.	736-0119	Lock Washer	56.	712-0271	Hex Sems Nut: 1/4-20
15.	736-0275	Flat Washer	57.	712-0693	Hex Nut
16.	736-0451	Saddle Washer	58.	716-0398	Lock Ring: Toggle Switch
17.	747-0620A	Shift Rod: Upper	59.	720-0232	Shift Knob
18.	747-0621	Shift Rod: Lower	60.	725-1672	Lamp Housing
19.	749-0951	Lower Handle	61.	725-1755	Toggle Switch: Double Throw
20.	749-0952A	Upper Handle: L Style RH	62.	725-1756	Toggle Switch: Single Throw
21.	749-0953A	Upper Handle: L Style LH	63.	725-1759	Halogen Lamp: 50W, 12V
22.	750-0963	Connector: Shift Rod	64.	726-0152	Mounting Clamp
23.	618-0419	Gear Assembly: Ring	65.	731-2275	Handle Panel
24.	629-0937	Electric Harness: Lower	66.	736-0226	Flat Washer
25.	710-0262	Carriage Bolt: 5/16-18 x 1.5"	67.	747-1136	Headlight Retainer
26.	710-0451	Carriage Bolt: 5.16-18 x .750"	68.	714-0507	Cotter Pin: 3/32 x .75
27.	710-0599	TT Screw: 1/4-20 x 0.5"	69.	747-0877	Cam Rod
28.	710-0602	TT Screw: 5/16-18 x 1"	70.	784-5680	RH Handle Support Bracket
29.	710-0805	Hex Screw: 5/16-18 x 1.5"	71.	784-5679	LH Handle Support Bracket
30.	710-0817	TT Screw: 5/16-18 x 1.25"	72.	748-0362	Cam Handle Lock
31.	710-0896	Hex Screw AB:1/4-14 x 0.625"	73.	748-0363	Handle Lock Pawl
32.	710-3008	Hex Screw: 5/16-18 x .75"	74.	732-0145	Compression Spring: .36 x 1.0
35.	712-3027	Hex Flange Lock Nut	75.	710-0459A	Hex Cap Screw: 3/8-24 x 1.5
36.	724-0249	Electric Motor: Chute Crank	76.	784-5619A	Shift Handle
37.	725-0157	Cable Tie	77.	712-0116	Jam Nut, 3/8-24
38.	731-0851A	Chute Flange Keeper	78.	732-0193	Comp. Spring: .39 x .6 x .88
39.	731-1300A	Lower Chute	79.	736-0105	Bell Washer
40.	731-1313C	Cable Guide: Chute Tilt	80.	784-5682	RH Handle Support Bracket
41.	731-1320	Upper Chute	81.	784-5681	LH Handle Support Bracket
42.	731-2279	Motor Cover: Chute Rotation	82.	711-0653	Clevis Pin
43.	736-0159	5/16 Washer	83.	684-0102	Panel Frame Assembly
44.	736-0242	Belleville Washer			

MODEL 31AH553G401



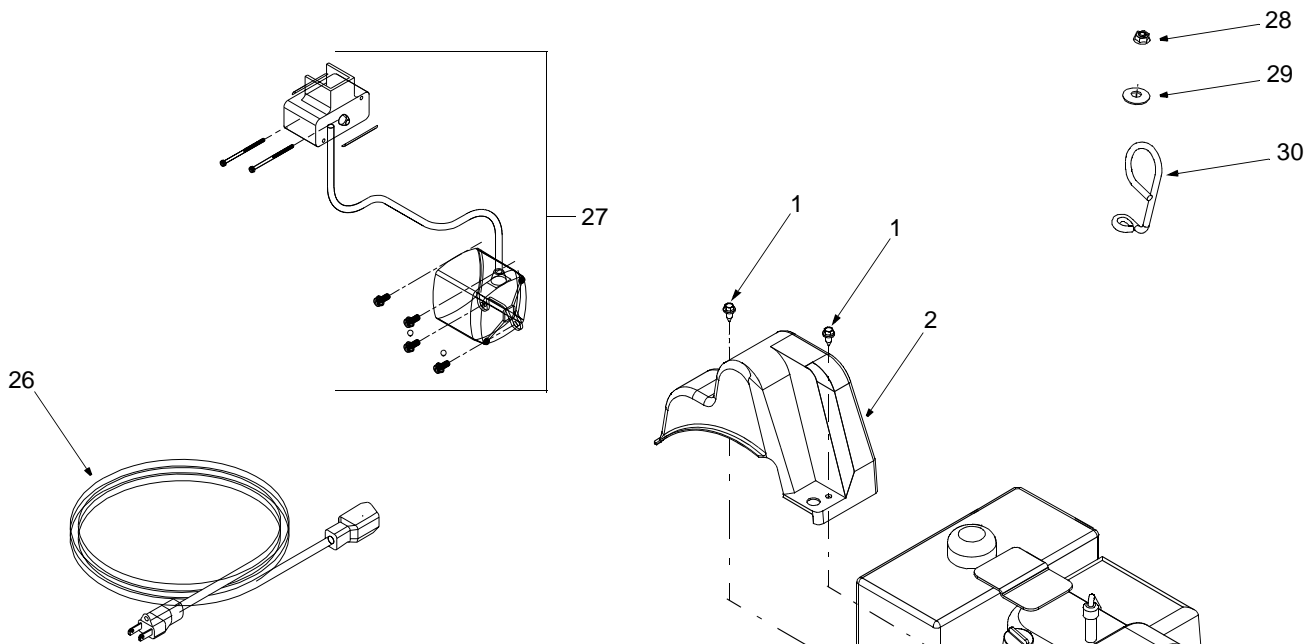
NOTE: For **painted parts**, please refer to the list of color codes below. Please add the applicable color code, wherever needed, to the part number to order a replacement part. For instance, if a part numbered 700-xxxx is painted Yard-Man Green, the part number to order would be 700-xxxx-0665.

- Yard-Man Green: 0665
- Yard-Man Yellow: 0674
- Powder Black: 0637

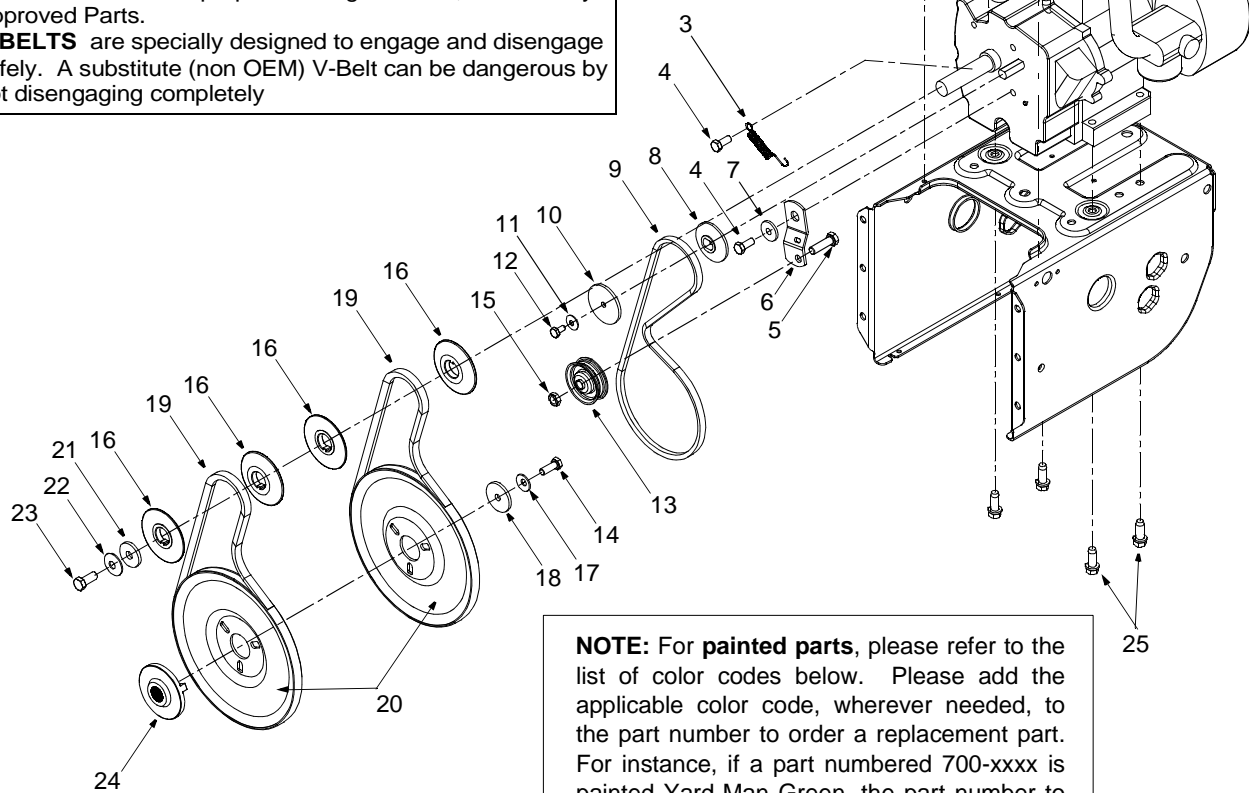
MODEL 31AH553G401

Ref. No.	Part No.	Part Description	Ref. No.	Part No.	Part Description
1.	712-0116	Lock Jam Nut 3/8-24	23.	736-0463	Flat Washer
2.	756-0178	Flat Idler	24.	784-0399	Bearing Housing w/Fitting
3.	784-5632A	Auger Idler Arm	25.	710-0703	Carriage Screw 1/4-20 x .75
4.	710-0459A	Hex Cap Screw 3/8-24 x 1.50	26.	710-0604	Hex Screw 5/16-18
5.	738-0281	Shoulder Screw	27.	736-0169	Lock Washer 3/8
6.	736-0167	Flat Washer	28.	712-0798	Hex Nut 3/8-16
7.	732-0611	Extension Spring	29.	741-0245	Hex Flange Bearing
8.	712-3068	Hex Nut 5/16-18	30.	784-5580	Skid Shoe
9.	710-0276	Carriage Bolt, 5/16-18 x 1.00	31.	736-0242	Bell Washer
10.	736-0119	Lock Washer 5/16	32.	712-3010	Hex Nut 5/16-18
11.	05931A	Housing	33.	784-5582A	28" Shave Plate
12.	741-0309	Ball Bearing	34.	710-0260	Carriage Bolt 5/16-18 x .62
13.	710-0451	Carriage Bolt, 5/16-18 x .75	35.	684-0065	Impeller Assembly
14.	705-5226	Chute Reinforcement	36.	715-0114	Pin
15.	684-0041C	28" Housing Assy	37.	618-0122A	28" Gear Assy
16.	712-3010	Hex Nut 5/16-18	38.	605-5196A	28" Spiral RH
17.	712-0429	Lock Nut 5/16-18	39.	736-0188	Flat Washer
18.	736-0242	Belleville Washer	40.	741-0493A	Flange Bushing
20.	737-0318	Grease Fitting	41.	605-5197A	28" Spiral LH
21.	731-1379B	Chute Adapter	42.	710-0890A	Shear Bolt 5/16-18 x 1.5
22.	712-0324	Hex Lock Nut 1/4-20			

MODEL 31AH553G401



IMPORTANT: For a proper working machine, use Factory Approved Parts.
V-BELTS are specially designed to engage and disengage safely. A substitute (non OEM) V-Belt can be dangerous by not disengaging completely

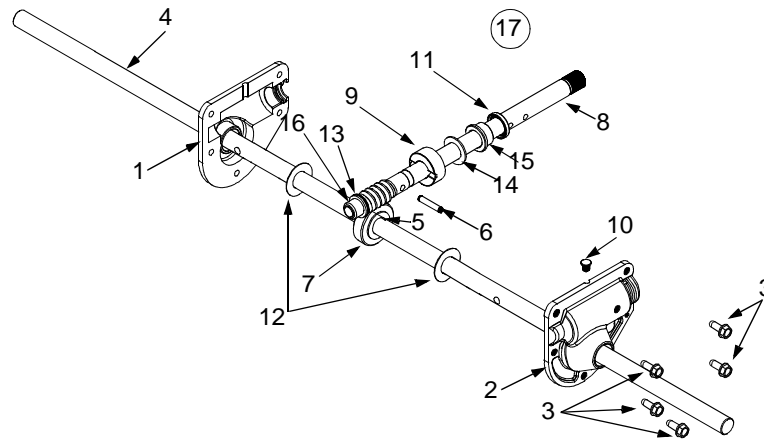


NOTE: For **painted parts**, please refer to the list of color codes below. Please add the applicable color code, wherever needed, to the part number to order a replacement part. For instance, if a part numbered 700-xxxx is painted Yard-Man Green, the part number to order would be 700-xxxx-0665.

Yard-Man Green: 0665
 Yard-Man Yellow: 0674
 Powder Black: 0637

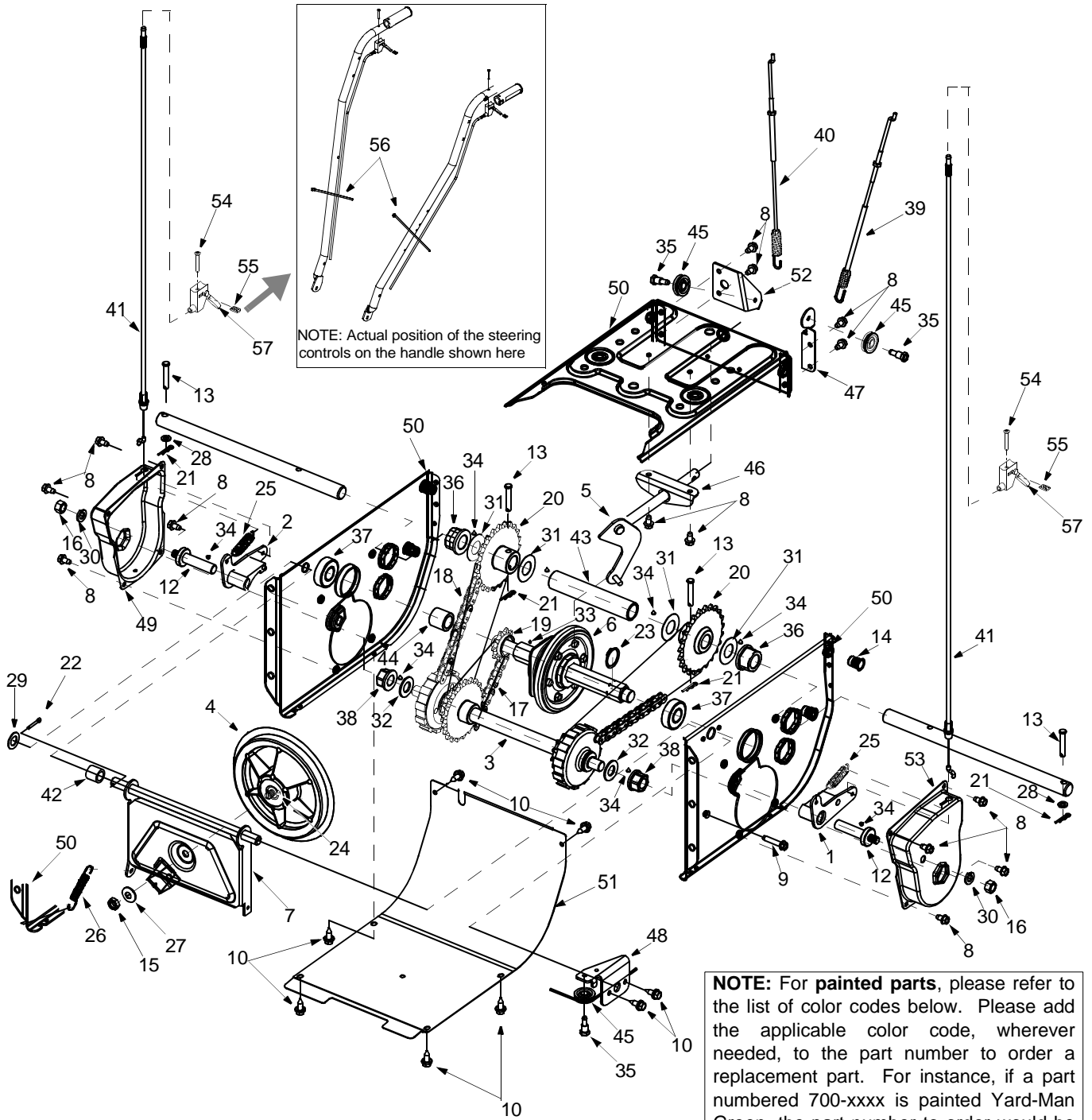
MODEL 31AH553G401

Ref. No.	Part No.	Part Description	Ref. No.	Part No.	Part Description
1.	710-1652	Hex Washer Screw 1/4-20 x .625	16.	756-0569	Pulley Half
2.	731-1324	Belt Cover	17.	736-0242	Bell Washer
3.	732-0710	Extension Spring	18.	736-0505	Flat Washer
4.	710-0627	Hex Screw 5/16-24 x .75	19.	754-0430A	Belt
5.	710-3005	Hex Cap Screw 3/8-16 x 1.25	20.	756-0967	Auger Pulley
6.	05896A	Drive Clutch Idler Bracket	21.	736-0247	Flat Washer 3/8 x 1.25 OD
7.	748-0234	Shoulder Spacer	22.	736-0331	Bell Washer
8.	756-0987	Pulley Half	23.	710-0696	Hex Cap Screw 3/8-24
9.	754-0346	V-Belt	24.	748-0360	Adapter Pulley
10.	756-0986	Pulley Half	25.	710-0654A	Hex Screw 3/8-16 x 1.0
11.	736-0270	Bell Washer	26.	629-0071	Extension Cord
12.	710-0230	Hex Cap Screw 1/4-28 x .50	27.	OEM-390-987	Electric Start Kit
13.	756-0313	Flat Idler	28.	712-0324	Lock Nut, 1/4-20
14.	710-1245	Lock Hex Cap Screw 5/16-24	29.	736-0173	Flat Washer, .28 x .74 x .063
15.	712-0181	Lock Jam Nut 3/8-16	30.	732-0705	Cable Guide



Ref. No.	Part No.	Part Description	Ref. No.	Part No.	Part Description
1.	618-0123	RH Housing	10.	721-0325	Grease Plug
2.	618-0418	LH Housing w/Fitting	11.	721-0327	Grease Seal
3.	710-0642	Self Tapping Screw, 1/4-20 x .75	12.	736-0351	Flat Washer, .76 x 1.5 x .030
4.	711-0901A	Spiral Axle, 28"	13.	736-0369	Flat Washer, .508 x 1.0 x .020
5.	714-0161	Hi-Pro Key, 3/16 x 5/8	14.	736-0445	Flat Washer, .76 x 1.5 x .060
6.	715-0143	Spring Spiral Pin, .25 x 1.25	15.	741-0662	Flange Bearing, .75 x 1.0 x .59
7.	717-0528	Worm Gear, 20-tooth	16.	741-0663	Flange Bearing, .503 ID x .75 OD
8.	717-0526	Worm Shaft	17.	618-0122A	Gear Assembly 28"
9.	718-0186	Thrust Collar			

MODEL 31AH553G401

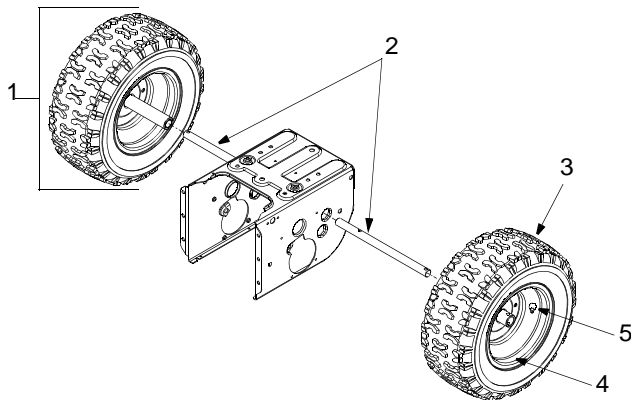


NOTE: For **Painted parts**, please refer to the list of color codes below. Please add the applicable color code, wherever needed, to the part number to order a replacement part. For instance, if a part numbered 700-xxxx is painted Yard-Man Green, the part number to order would be 700-xxxx-0665.

Yard-Man Green: 0665
 Yard-Man Yellow: 0674
 Powder Black: 0637

MODEL 31AH553G401

Ref. No.	Part No.	Part Description	Ref. No.	Part No.	Part Description
1.	618-0043	Dogg Assembly: RH	30.	736-0169	Lock Washer
2.	618-0044	Dogg Assembly: LH	31.	736-0351	Flat Washer
3.	618-0303B	Drive Shaft Assembly	32.	736-0626	Flat Washer
4.	656-0012A	Friction Wheel: Disc Assembly	33.	737-0170	6-in-1 Lubricant
5.	684-0014B	Shift Rod Assembly	34.	737-0318	Grease
6.	684-0042C	Bearing: Friction Wheel	35.	738-0924	Carriage Screw
7.	684-0131A	Support Bracket: Friction Wheel	36.	741-0598	Hex Flange Bearing
8.	710-0599	TT Screw: 1/4-20 x 0.5"	37.	741-0600	Ball Bearing
9.	710--0809	TT Screw: 1/4-20 x 1.25"	38.	741-1111	Hex Flange Bearing
10.	710-1652	TT Screw: 1/4-20 x 0.625"	39.	746-0897	Auger Clutch Cable
11.	711-1267	Hex Shaft	40.	746-0898	Drive Clutch Cable
12.	711-1268	Drive Shaft: Actr.	41.	746-0956	Steering Cable
13.	711-1364	Clevis Pin	42.	748-0190	Spacer
14.	712-0703	Nut Insert	43.	750-1161A	Support Tube: Axle
15.	712-0711	Jam Nut	44.	750-1162	Spacer
16.	712-3017	Jam Nut	45.	756-0625	Roller: Cable
17.	713-0233	Chain	46.	784-5590	Shift Bracket: Frame
18.	713-0374	Chain	47.	784-5687A	Cable Guide Bracket: Auger
19.	713-0413	Sprocket: 10T	48.	784-5689A	Front Support Bracket: Auger
20.	713-0472	Sprocket: 23T			Clutch Cable Guide
21.	714-0104	Hairpin Clip	49.	784-5730A	Drive Shaft Retainer RH
22.	714-0474	Cotter Pin	50.	784-5731A	Frame Housing
23.	716-0102	Snap Ring	51.	784-5732	Frame Cover
24.	721-0263	Loctite™ Adhesive	52.	784-5733	Bracket: Drive Cable Roller
25.	732-0209	Extension Spring	53.	784-5740	Drive Shaft Retainer LH
26.	732-0264	Extension Spring	54.	710-1233	Oval C-Sunk Screw
27.	736-0105	Spring Washer	55.	712-0127	Weld Nut
28.	736-0142	Flat Washer	56.	725-0157	Cable Tie
29.	736-0160	Flat Washer	57.	746-0950	Steering Control



Ref. No.	Part No.	Part Description
1.	734-1709	Wheel Assy Comp: 16.5" x 4.8"
2.	738-0994A	Axle: .75" dia. x 12.201" Lg.
3.	734-1530	Tire, Snow Hog, 16.5 x 4.8 - 4
4.	734-1708	Rim Assembly
5.	734-0255	Tubeless Air Valve

MODEL 31AH553G401

