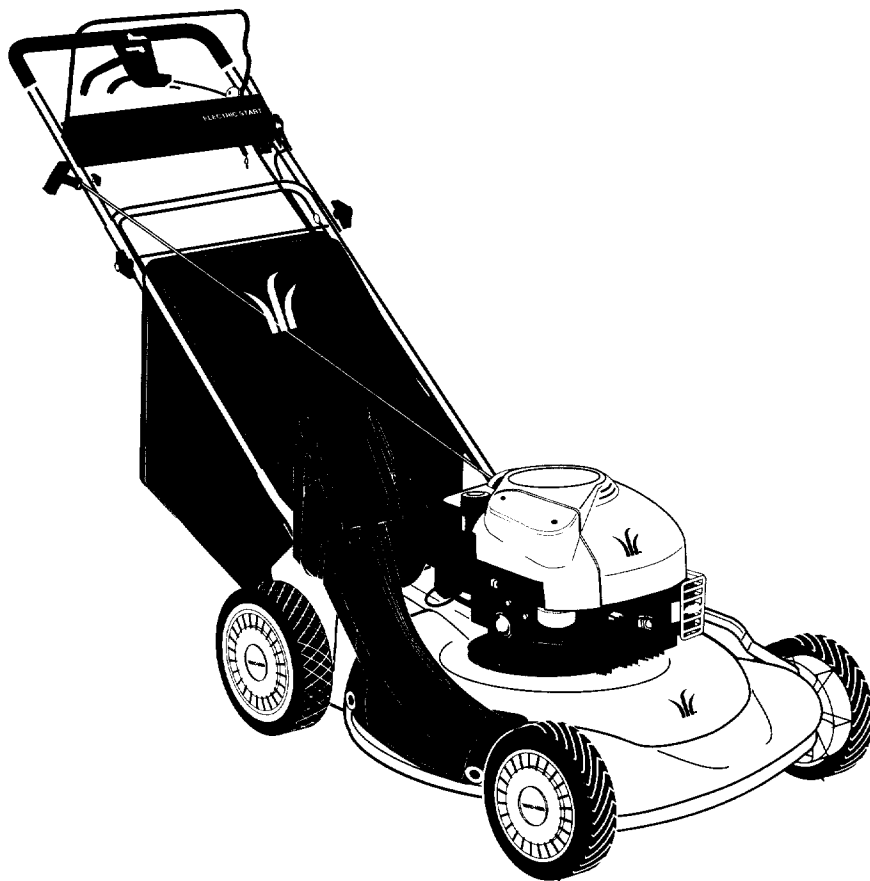


YARD-MAN™

by MTD®

OWNER'S GUIDE



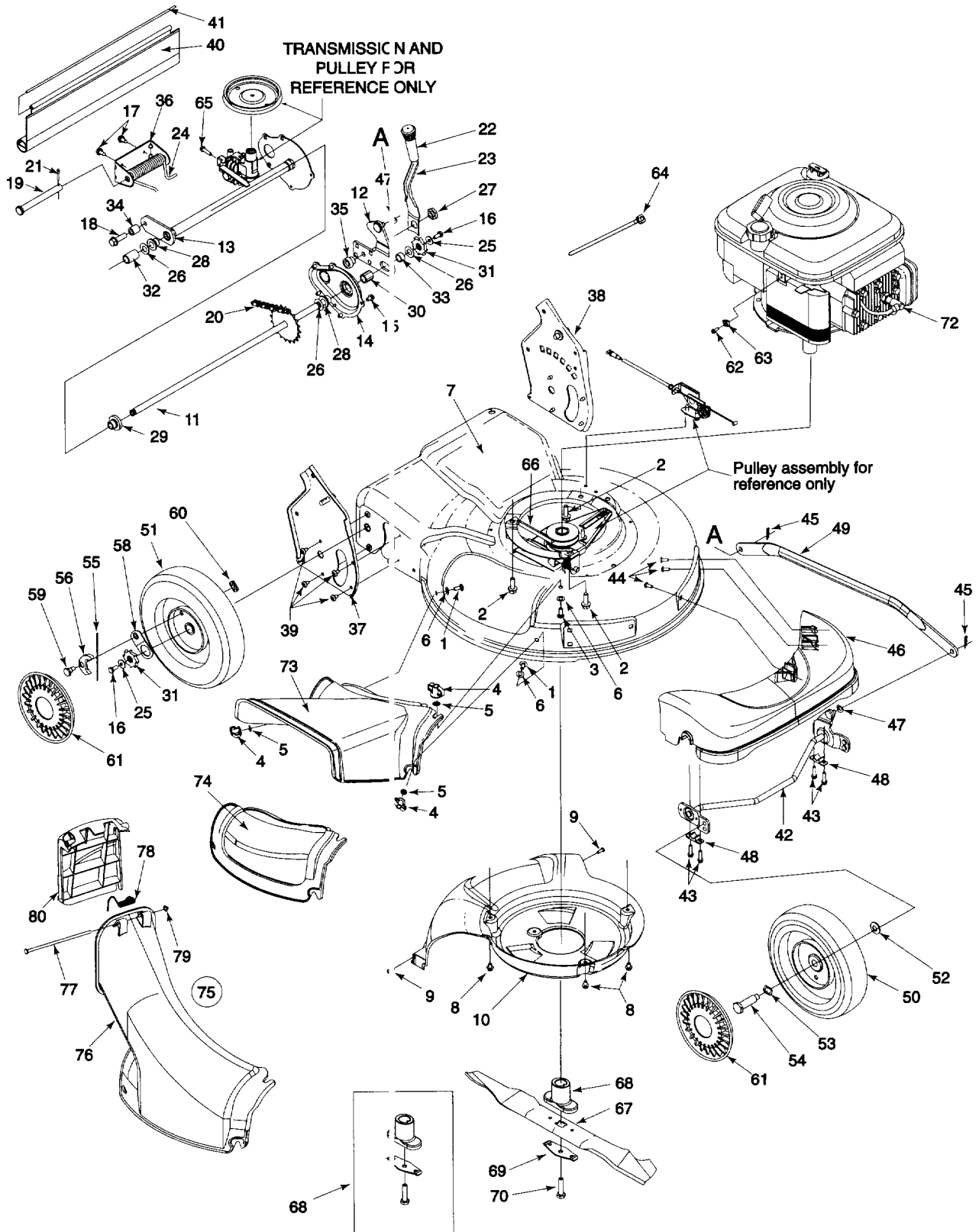
Model Shown E979

Model Series
950-959
970-979
E970-E979

MTD

For A Growing World.™

Models 959/979/E979

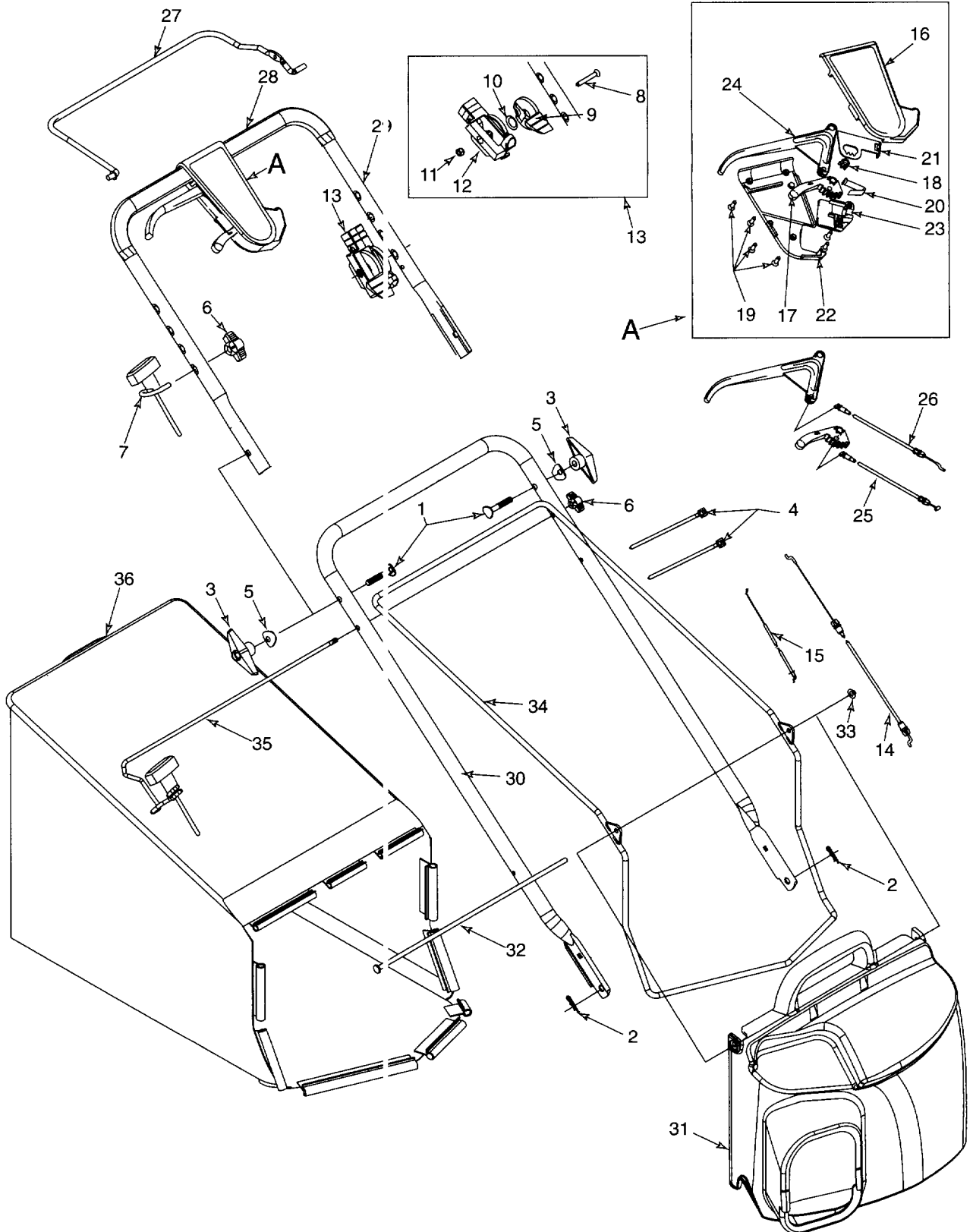


Models 959/979/E979

| Ref. No. | Part No. | Description | Ref. No. | Part No. | Description |
|----------|---------------|------------------------------------|----------|---------------|---------------------------------|
| 1 | 710-0134 | Scr. Carr. 1/4-20 x .62 | 40 | 731-1901 | N Trail Shield |
| 2 | 710-0654A | Scr. TT:3/8-18:1.00 | 41 | 732-0842 | N Trail Shield Wire |
| 3 | 710-0703 | Scr. 1/4-20 x .750 | 42 | 611-0064-0665 | N Fr. Axle Ass'y. |
| 4 | 712-0397 | Wing Nut 1/4-20 | 43 | 710-1241 | Hx Scr. Wash Hd. Hi.-Lo. |
| 5 | 723-0233 | Nut, Push .25 I.D. x .50 O.D. | 44 | 710-1242 | Scr. Torx, Truss Hi.-Lo. |
| 6 | 736-0204 | Wash. Fl. .334 I.D.x .62 x.03 | 45 | 714-0104 | Cotter Pin .072 x 1.12 Lg. |
| 7 | 782-0046-0665 | N Deck - 21" | 46 | 731-1829 | N Fr. Axle Cover, Yellow |
| 8 | 710-0653 | Scr. TT. 1/4-20 x .375 | 47 | 736-0286 | Bowed Washer |
| 9 | 710-1220 | Scr. HL. 1/2-14 x .750 | 48 | 741-0492A | Bush. Block .505 Dia. x .62 |
| 10 | 731-1828 | N Baffle | 49 | 782-0565-0665 | N Control Arm |
| 11 | 638-0012 | N Rear Axle Ass'y | 50 | 734-1818 | N Wheel 8 x 2 Link, Yellow |
| 12 | 682-0531 | N Pivot Arm Ass'y | 51 | 734-1836 | N Wheel 9 x 2 Link Yellow, Slv. |
| 13 | 682-7526 | N Trans. Axle Ass'y | 52 | 736-0105 | Spr. Wash. .401 x .870 x .063 |
| 14 | 682-7528 | N Chain Cover Ass'y | 53 | 736-0504 | Wave Wash .510 x .750 x .017 |
| 15 | 710-0653 | Scr. TT 1/4-20 x .375 | 54 | 738-0102 | Shldr Scr .498 x 1.445 x3/8-16 |
| 16 | 710-0751 | Cap Screw HH 1/4-20 x .620 | 55 | 10622B | Spring, Ratchet, Plastic |
| 17 | 710-0896 | Scr. AB 1/4-14 x .825 | 56 | 748-0381 | Pawl - R.H. |
| 18 | 710-1315 | Scr. 3/8 116 x .25 | 57 | 748-0188B | Pawl - L.H. (Not Illustrated) |
| 19 | 711-0835 | Clevis Pin .50 Dia. x 4.82 Lg. | 58 | 16855 | Ratchet Pawl Plate |
| 20 | 713-0453 | N Chain-Endls. #48 .500P x 24L | 59 | 738-0137A | Scr. Shld. .340 x .285 |
| 21 | 714-0474 | Cotter Pin .125O.D. x .75 | 60 | 712-0414 | Top Lock Tab Weld Nut 1/4-20 |
| 22 | 720-0223 | Grip | 61 | 731-1426 | Hubcap -Yellow |
| 23 | 732-0803 | N Spring Lever | 62 | 710-1237 | Screw .620 Hx. Slit. Wsh. |
| 24 | 732-0832 | N Torsion Spring | 63 | 751B213146 | Casing Clamp, Throttle |
| 25 | 736-0270 | Bell Wash. .285 x .75 x .082 | 64 | 725-0157 | Cable Tie |
| 26 | 736-0369 | Fl. Wash..508 I.D. 1.000 x.020 | 65 | 710-0604 | Hex Scr. 5/16-18 |
| 27 | 738-0529 | Nut Shld. .825 Dia. x .165 Lg. | 66 | 754-0460 | N Belt |
| 28 | 741-0324 | Hx.Flg. Brg..506 I.D. x .590 L. | 67 | 742-0741 | 21" Mulching Blade |
| 29 | 741-0522 | Hx.Flg. Brg. .506 I.D. x.715 L. | 68 | 753-0609 | Blade Adapter Kit |
| 30 | 741-0978 | N Hx. Slv. Brg..504 I.D. x .830 L. | 69 | 736-0524A | Blade Bell Suport |
| 31 | 748-0318 | Wheel Ratchet | 70 | 710-1257 | Hex Bolt 3/8-24x2.5"Lg. |
| 32 | 750-0151 | Spa. .550 I.D. x /750 O.D. | 72 | 735-0639 | Spark Plug Insulator |
| 33 | 750-0515 | Spa. .51 .D. x .70 O.D. x 38 L. | 73 | 731-1832 | N Side Discharge Chute |
| 34 | 750-0807 | Spa. .385 x .624 x .700 | 74 | 731-1833 | N Mulch Cover |
| 35 | 750-1056 | N Shld. Spa. .385 I.D. X .715 Lg. | 75 | 631-0066 | N Chute Ass'y †† |
| 36 | 782-0568 | N Brkt. - Ht. Adj. Spring | 76 | 731-1713 | N Discharge Chute †† |
| 37 | 682-3052-0665 | N Handle Brkt. Ass'y. R.H. | 77 | 747-0965 | N Pivot Rod †† |
| 38 | 682-3053-0665 | N Handle Brkt. Ass'y. L.H. | 78 | 732-0819 | N Torsion Spring †† |
| 39 | 710-1348 | Scr. AB 1/4-14 x .500 | 79 | 726-0111 | Push Cap †† |
| | | | 80 | 731-1874 | N Chute Door †† |

†† Model 979 only

Models 959/979



Models 959/979

| Ref. No. | Part No. | Description | Ref. No. | Part No. | Description |
|----------|-----------|--|----------|-----------|------------------------------|
| 1 | 710-1174 | Bolt Cur. Carr. 5/16-18 x 2.0 | 19 | 710-0841 | C Sunk Tap Screw #10 x .75 L |
| 2 | 714-0104 | Cotter Pin .072 x 1.12 Lg. | 20 | 732-0627 | Shift Lever Spring |
| 3 | 720-0241 | Knob Ass'y Wingnut 5/16-18 | 21 | 16864 | 6 Spd. Rack Cable Brkt. |
| 4 | 726-0240 | Strap 4.3 Lg. | 22 | 731-0905 | Lower Control Housing |
| 5 | 736-0451 | Wash. Sad. .320 ID x.830 OD | 23 | 731-0906 | Cable Mounting Cap |
| 6 | 720-0279 | Knob Handle ERS - 1/4-20 | 24 | 731-0620 | Control Lever |
| 7 | 710-1205 | Rope Guide Eyebolt † | 25 | 746-0939 | N 6 Spd. Cable |
| 8 | 710-0605 | Screw 1/4-20 x 1.81 | 26 | 746-0710A | S.P. Cable |
| 9 | 746-0876 | Throttle Lever | 27 | 747-0824 | Control Handle |
| 10 | 736-0501 | Spring Wash. Curved | 28 | 720-0294 | Foam Grip (2 Reqd.) |
| 11 | 712-0324 | Nut 1/4-20 Top locknut Insert | 29 | 749-0439B | Upper Handle |
| 12 | 646-0875 | Housing, Throttle | 30 | 749-0907 | Lower Handle |
| 13 | 811-00303 | Throttle Control - (Includes 8,9,10,11 & 12) | 31 | 631-0071 | N Grassbag Cover w/Label †† |
| 14 | 746-0557 | Control Cable 47" Lg. | 32 | 747-0939 | N Pivot Rod †† |
| 15 | 746-0841 | Cable Throttle 60" Lg. | 33 | 726-0106 | Cap Nut †† |
| 16 | 731-0904 | Upper Control Housing | 34 | 747-0937 | N Frame - Grassbag †† |
| 17 | 731-0924 | 6 Speed Shift Lever | 35 | 747-0940 | N Rod, Support †† |
| 18 | 713-0397 | Gear Insert | 36 | 664-0074 | N Grassbag †† |

† For model 959 only

†† For model 979 onl

Labels

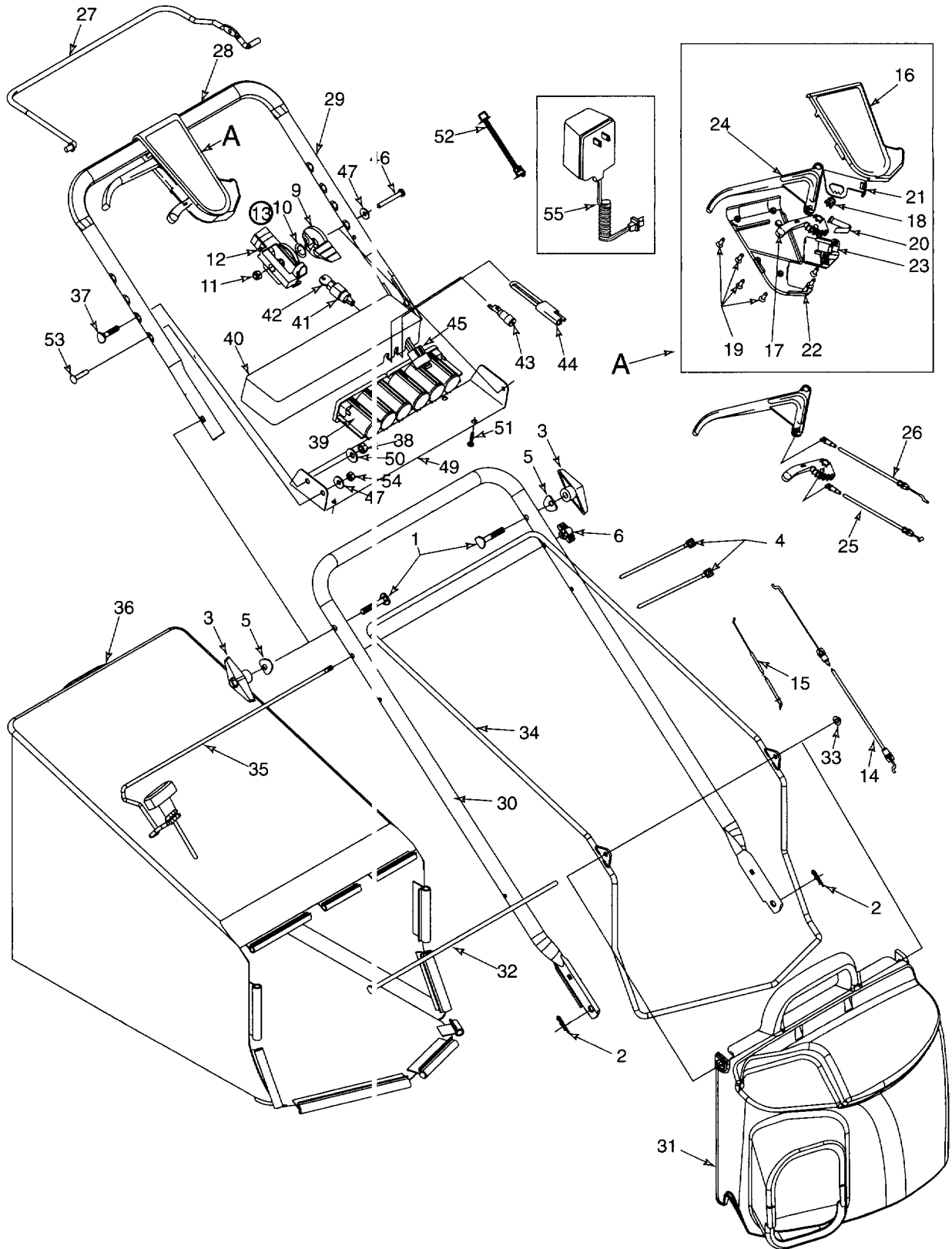
| Ref No. | Part No. | Description | Ref No. | Part No. | Description |
|---------|-----------|--------------------------------|---------|-----------|--|
| N/I | 777-1595C | N Danger - Rt. Rear | N/I | 777-4626 | N YM 6/21 Label † |
| N/I | 777-0870 | Danger - Side Discharge | N/I | 777-4627 | N YM 6/21 Label †† |
| N/I | 777-5270 | N Warning - Above Deck Opening | N/I | 777-4628 | N YM 6/21 Label ‡ |
| N/I | 777-1104 | Drive Label | N/I | 777-5645 | N Ht. Adjuster Label |
| N/I | 777-8627 | Drive Label ‡ | N/I | 777-1183A | Model No. Label |
| N/I | 777-0148 | Throttle Label | N/I | 777-3541 | Trans. Drive Label |
| N/I | 777-4466 | YM Bubble Crest | N/I | 777-1105 | N Start Instructions - on Battery Pack ‡ |
| N/I | 777-4569 | N Wheel Cover Label | N/I | 777-4629 | N YM Electric Start ‡ |

† For model 959 only

†† For model 979 only

‡ For model E979 only

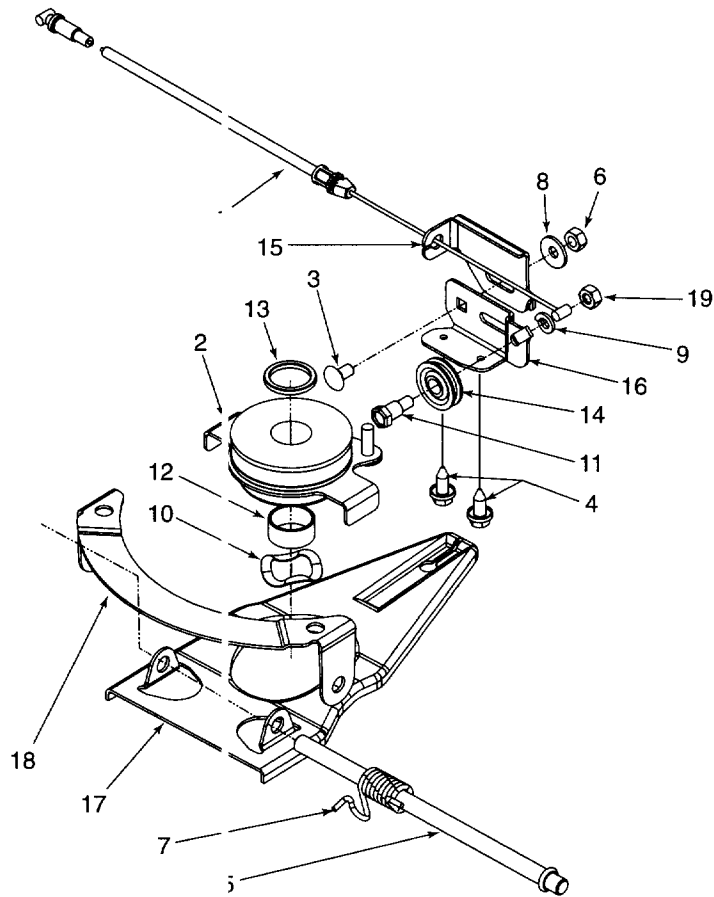
Model E979



Model E979

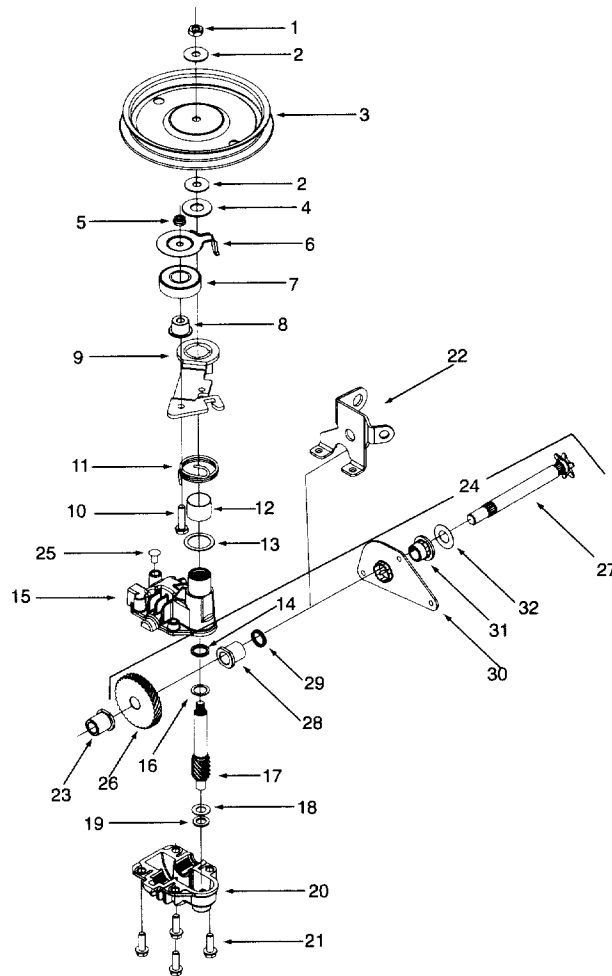
| Ref. No. | Part No. | Description | Ref. No. | Part No. | Description |
|----------|-----------|--|----------|-----------|----------------------------------|
| 1 | 710-1174 | Bolt Cur. Carr. 5/16-18 x 2.0 | 29 | 749-0439B | Upper Handle |
| 2 | 714-0104 | Cotter Pin .072 x 1.12 Lg. | 30 | 749-0907 | Lower Handle |
| 3 | 720-0241 | Knob Ass'y Wingnut 5/16-18 | 31 | 631-0071 | N Grassbag Cover w/Label |
| 4 | 726-0240 | Strap 4.3 Lg. | 32 | 747-0939 | N Pivot Rod |
| 5 | 736-0451 | Wash. Sad. .320 ID x.830 OD | 33 | 726-0106 | Cap Nut |
| 6 | 720-0279 | Knob Handle ERS - 1/4-20 | 34 | 747-0937 | N Frame - Grassbag |
| 9 | 746-0876 | Throttle Lever | 35 | 747-0940 | N Rod, Support |
| 10 | 736-0501 | Spring Wash. Curved | 36 | 664-0074 | N Grassbag |
| 11 | 712-0324 | Nut 1/4-20 Top locknut Insert | 37 | 710-1250 | Cur. Carr. Bolt 5/16-18 x 1" Lg. |
| 12 | 646-0875 | Housing, Throttle | 38 | 712-0267 | Hex Nut 5/16-18 Thd. |
| 13 | 811-00303 | Throttle Control - (Includes 9,10,11 & 12) | 39 | 725-1276 | Battery Pack - 12 Volt |
| 14 | 746-0557 | Control Cable 47" Lg. | 40 | 731-0891A | Battery Tray |
| 15 | 746-0841 | Cable Throttle 60" Lg. | 41 | 725-0873 | Ignition Switch |
| 16 | 731-0904 | Upper Control Housing | 42 | 725-0201 | Ignition Key |
| 17 | 731-0924 | 6 Speed Shift Lever | 43 | 425-1428 | Fuse Holder |
| 18 | 713-0397 | Gear Insert | 44 | 725-0298 | Fuse 7-1/2 Amp (Not Ill.) |
| 19 | 710-0841 | C Sunk Tap Screw #10 x .75 L | 45 | 725-1206 | Plug |
| 20 | 732-0627 | Shift Lever Spring | 46 | 725-1442 | Wire Harness |
| 21 | 16864 | 6 Spd. Rack Cable Brkt. | 47 | 710-0501 | Hex Bolt 1/4-20 x 2" Lg. |
| 22 | 731-0905 | Lower Control Housing | 49 | 736-0270 | Bell Wash 1/4" I.D. |
| 23 | 731-0906 | Cable Mounting Cap | 50 | 782-9012 | Lower Battery Tray |
| 24 | 731-0620 | Control Lever | 51 | 736-0242 | Bell Wash. 5/16" I.D. |
| 25 | 746-0939 | 6 Spd. Cable | 52 | 710-0969 | Truss Mch. Tap Scr. 1" Lg. |
| 26 | 746-0710A | S.P. Cable | 53 | 725-1538 | Harness Ext. |
| 27 | 747-0824 | Control Handle | 54 | 710-0111 | Scr. 1/4-20 x 1.25 |
| 28 | 720-0294 | Foam Grip (2 Req'd.) | 55 | 712-0287 | Hex Nut 1/4-20 |
| | | | | 725-0727 | Battery Charger |

Models 959/979/E979



| Ref. No. | Part No. | Description |
|----------|---------------|-------------------------------|
| 1 | 746-093 | N 6 Spd. Cable |
| 2 | 656-061 | N Pulley Ass'y Multi- Spd. |
| 3 | 710-016 | Scr. 1/4-20 x .50 Carr. |
| 4 | 710-089 | Scr. AB 1/4-14 x .625 Hxinwsh |
| 5 | 711-111 | N Pivot Shaft |
| 6 | 712-028 | Nut 1/4-20 |
| 7 | 732-080 | Torsion Spring LH |
| 8 | 736-027 | Bell Wash. .265 X .75 X .062 |
| 9 | 736-032 | Lock Wash. 1/4 Reg Duty |
| 10 | 736-052 | Wave Wash. 1.38 x .88 x .029 |
| 11 | 738-092 | Shld.Scr. .375 x1/4-14AB |
| 12 | 750-107 | Slev Spcr .88 IDx1.00 OD x.48 |
| 13 | 750-107 | Slev Spcr .88ID x1.13ID x .12 |
| 14 | 756-062 | Roller Cable |
| 15 | 782-7574-0665 | N 6 Spd. Cable Adj. Bracket |
| 16 | 782-7575-0665 | N 6 Spd. Cable Mt. Bracket |
| 17 | 782-759 | N 6 Sp. Control Arm |
| 18 | 782-759 | N 6 Sp. Pivot Bracket |
| 19 | 712-013 | Hex Nut 1/4-28 |

Models 959/979/E979



| Ref. No. | Part No. | Description | Ref. No. | Part No. | Description |
|----------|----------|----------------------------------|----------|----------|--|
| 1 | 712-3025 | Hx. Jam Nut 5/16-24 | 17 | 717-1468 | N Pinion Shaft 10 T. |
| 2 | 736-0425 | Bell Wash. .325 x .930 x .045 | 18 | 736-0314 | Thr. Wash. 3/8 x .70 x .030 |
| 3 | 756-0656 | N Pulley | 19 | 736-0569 | N Thr. Wash. .388 x .625 x .062 |
| 4 | 736-3084 | Fl. Wash. .510 x 1.120 x .060 | 20 | 618-0252 | N Lower Housing Ass'y. |
| 5 | 712-0896 | Hx. Jam Nut 1/4-28 | 21 | 710-0642 | Hx. Scr. 1/2-20 x .75 |
| 6 | 782-7598 | N Belt Keeper | 22 | 782-7601 | N Cable Bracket |
| 7 | 741-0600 | Bearing | 23 | 741-0674 | N Bearing |
| 8 | 750-1050 | N Flange Spacer | 24 | 611-0066 | N Shaft Ass'y. |
| 9 | 682-0027 | N Idler Bracket Ass'y. | 25 | 721-0325 | Plug |
| 10 | 710-0299 | Hx. Cap Scr. 1/4-28 x 1.00 Gr. 5 | 26 | 717-1469 | N Gear 34 T. |
| 11 | 732-0811 | N Torsion Spring | 27 | 711-1168 | N Output Shaft 6 T. |
| 12 | 741-0682 | N Bearing Sleeve | 28 | 741-0673 | N Flange Bearing |
| 13 | 736-0570 | N Fl. Wash. .885 x 1.145 x .030 | 29 | 721-0329 | Oil Seal |
| 14 | 721-0329 | Oil Seal | 30 | 782-7595 | N Pivot Bracket |
| 15 | 618-0253 | N Upper Housing Ass'y. | 31 | 741-0324 | Flange Bearing |
| 16 | 736-0520 | N Fl. Wash. .504 x .700 x .030 | 32 | 736-0369 | Wash. Fl. .508 I.D. x 1.00 O.D. x .020 |
| | | | - | 618-0263 | Tranmission Comp. |