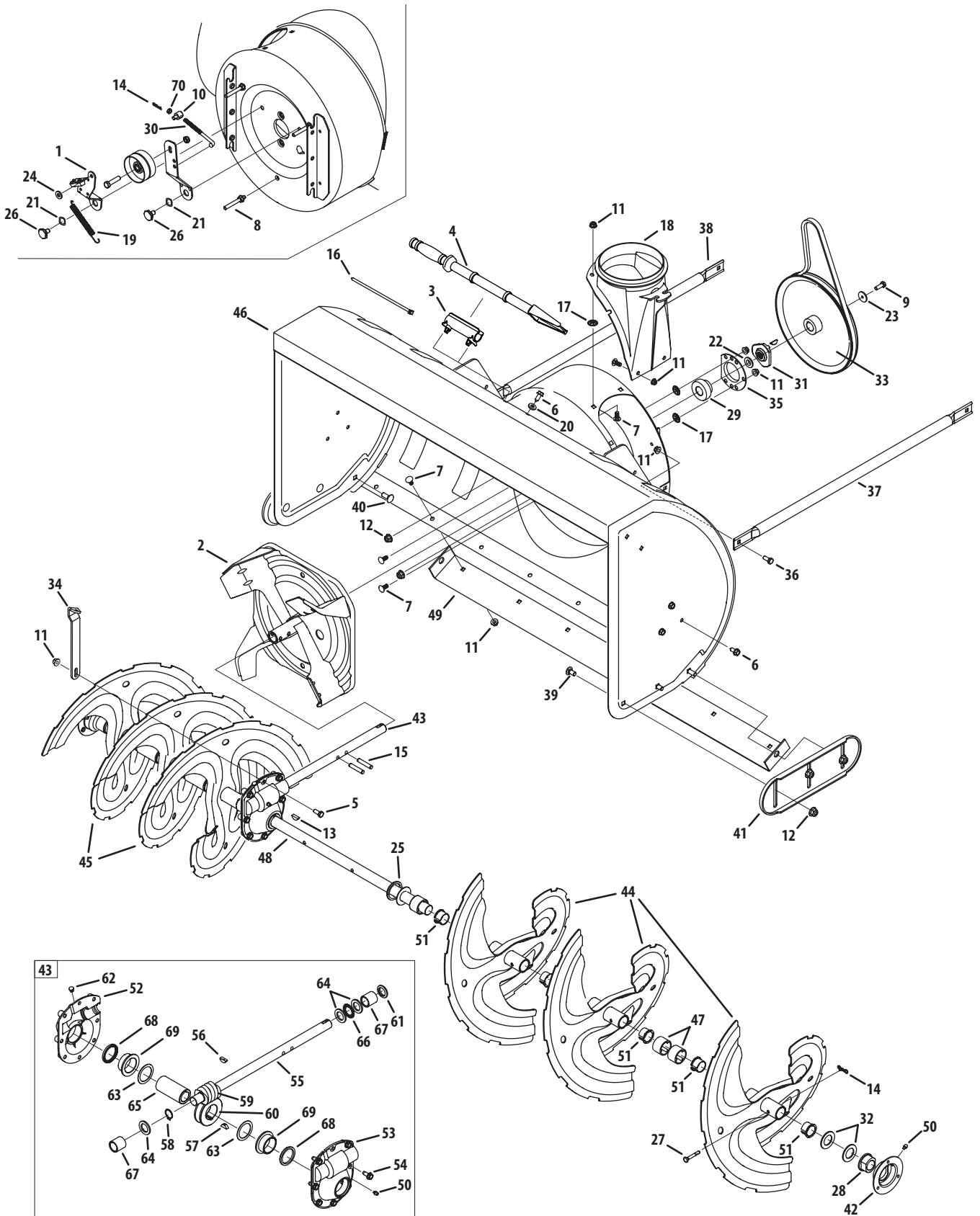


Augers, Auger Housing, and Gearbox

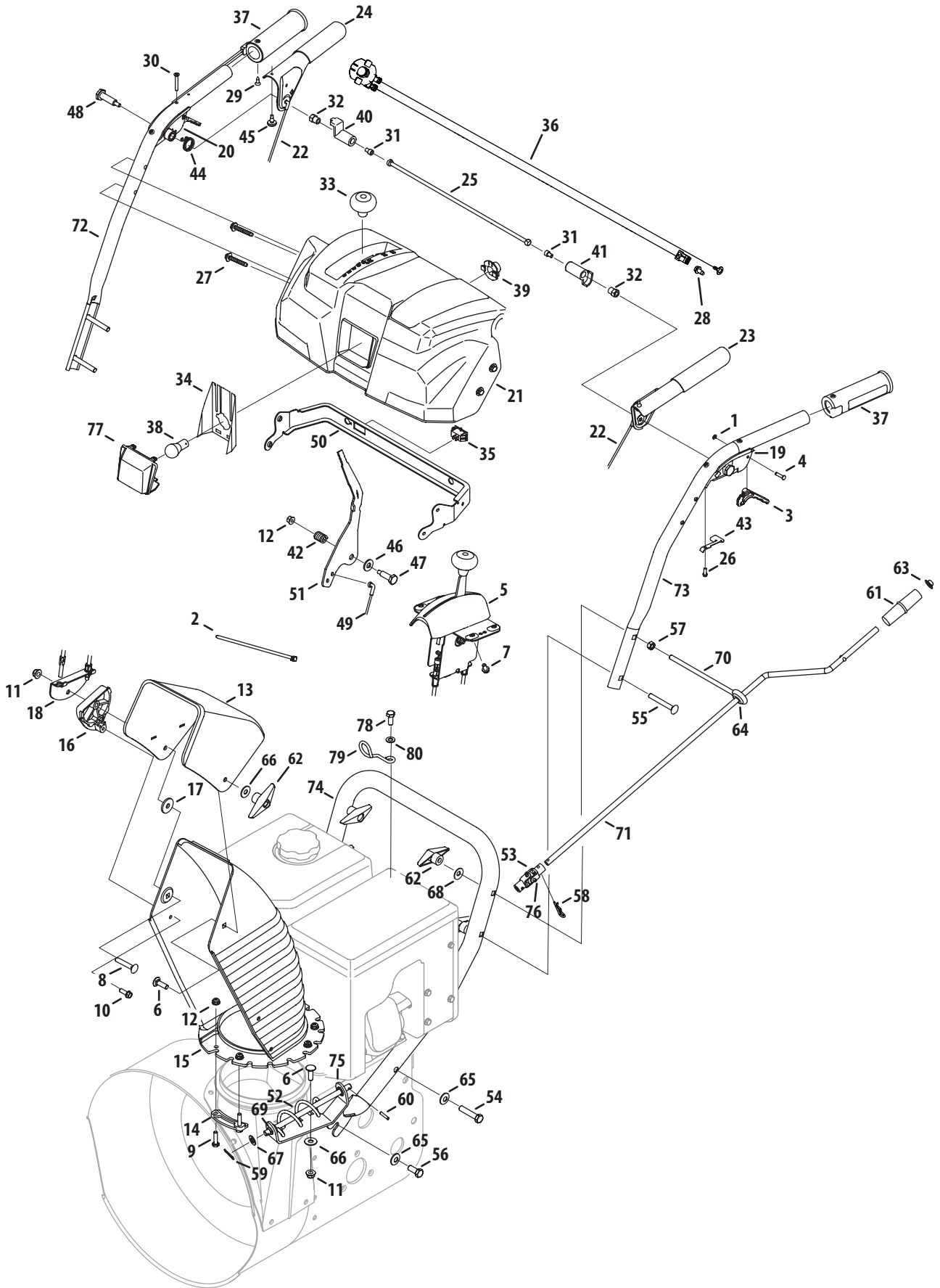


Augers, Auger Housing, and Gearbox

Ref.	Part Number	Description
1.	918-0281A	Bracket Assembly, Auger Brake
2.	684-0090B	Impeller , 16"
3.	731-2635	Clip, Mounting
4.	931-2643	Tool, Clean-out
5.	710-0376	Screw, Hex Cap, 5/16-18 x 1.0 Gr5
6.	710-04484	Screw, 5/16-18 x .750
7.	710-0451	Screw, Carriage, 5/16-18 x .75
8.	710-04606A	Screw w/Stud, 5/16-18 x .4300
9.	710-1245B	Screw, Hex Cap Lock, 5/16-24, 875
10.	911-0677	Ferrule
11.	712-04063	Nut, Hex Flange Lock, 5/16-18
12.	712-04065	Nut, Hex Flange Lock, 3/8-16
13.	914-0135	Key, Woodruff, 1/4 x 3/4
14.	714-04040	Pin, Bow-tie Cotter
15.	915-0118	Pin, Spiral, 5/16 x 1.75
16.	725-0157	Cable Tie
17.	926-04012	Nut, Push
18.	731-1696B	Adapter, Chute, 6"
19.	732-0858	Spring, Extension
20.	936-0159	Washer, Flat, .349 x .879 .063
21.	736-0174	Washer, Wave, .625 x .885 x .015
22.	736-0188	Washer, Bell., .78 x 1.49 x .06
23.	736-0505	Washer, Flat, .34 x 1.5 x .15 Ht.
24.	936-3008	Washer, .344 x .75 x .12
25.	736-3046A	Washer, 1.01 x 1.86 x .06
26.	938-0281	Screw, Shoulder, .625 x .17
27.	738-04155	Pin, Shear, .25 x 1.75
28.	941-0170	Bearing, Flange w/Flats
29.	941-04024	Bearing, Self Aligning
30.	747-0980A	Rod, Auger Idler
31.	748-04067A	Adapter, Pulley w/Pins
32.	950-04020	Spacer, 1.004 x 1.375 x .25
33.	756-04244A	Pulley, Auger Drive, 10.0
34.	790-00264A	Bracket, Gear Box Support
35.	05244B	Housing, Bearing

Ref.	Part Number	Description
36.	710-3008	Screw, 5/16-18 x .75 GR5
37.	749-04485	Tube, Support , LH
38.	749-04489	Tube, Support, RH
39.	710-0389	Screw, Carriage, 3/8-16 x .75
40.	710-3168	Screw, Carriage, 3/8-16 x 1.00
41.	784-5697	Skid Shoe
42.	784-0315A	Housing, Bearing
43.	918-04514	Gear Box Assembly
44.	684-04151	Spiral Assembly, LH
45.	684-04152	Spiral Assembly, RH
46.	684-04223	Housing, Auger - 45"
47.	731-05163	Spacer, 1.50 x 1.00 x 1.00
48.	738-04159	Axle, Spiral
49.	790-00280	Shave Plate, 45"
50.	937-3000	Grease Fitting, 3/16
51.	741-0494	Flange Bushing
52.	918-0246	Housing Assembly, Auger, RH
53.	918-0435	Housing Assembly, Auger, LH
54.	710-1260A	Screw, LD, 5/16-18 x .750
55.	711-04714	Auger Drive Shaft
56.	914-0126	Key, Hi Pro, 3/16 x 3/4
57.	914-0135	Key, 1/4 x 3/4 Dia.
58.	716-0111	External Retainer Ring
59.	917-0299	Gear, Worm
60.	917-1425	Gear, Worm, LH
61.	921-0145	Seal, Oil
62.	721-0325	Plug
63.	936-0266	Wash, Flat, 1.52ID x 2.0 OD
64.	936-0291	Wash, Flat, .88 ID x .38 OD
65.	738-0275	Worm Gear Shaft
66.	741-0184	Bearing, Thrust
67.	941-0217	Sleeve
68.	921-0146	Oil Seal
69.	741-0670	Flange Bearing
70.	712-3007	Jam Nut, 5/16-18

Handles, Handle Panel & Discharge Chute

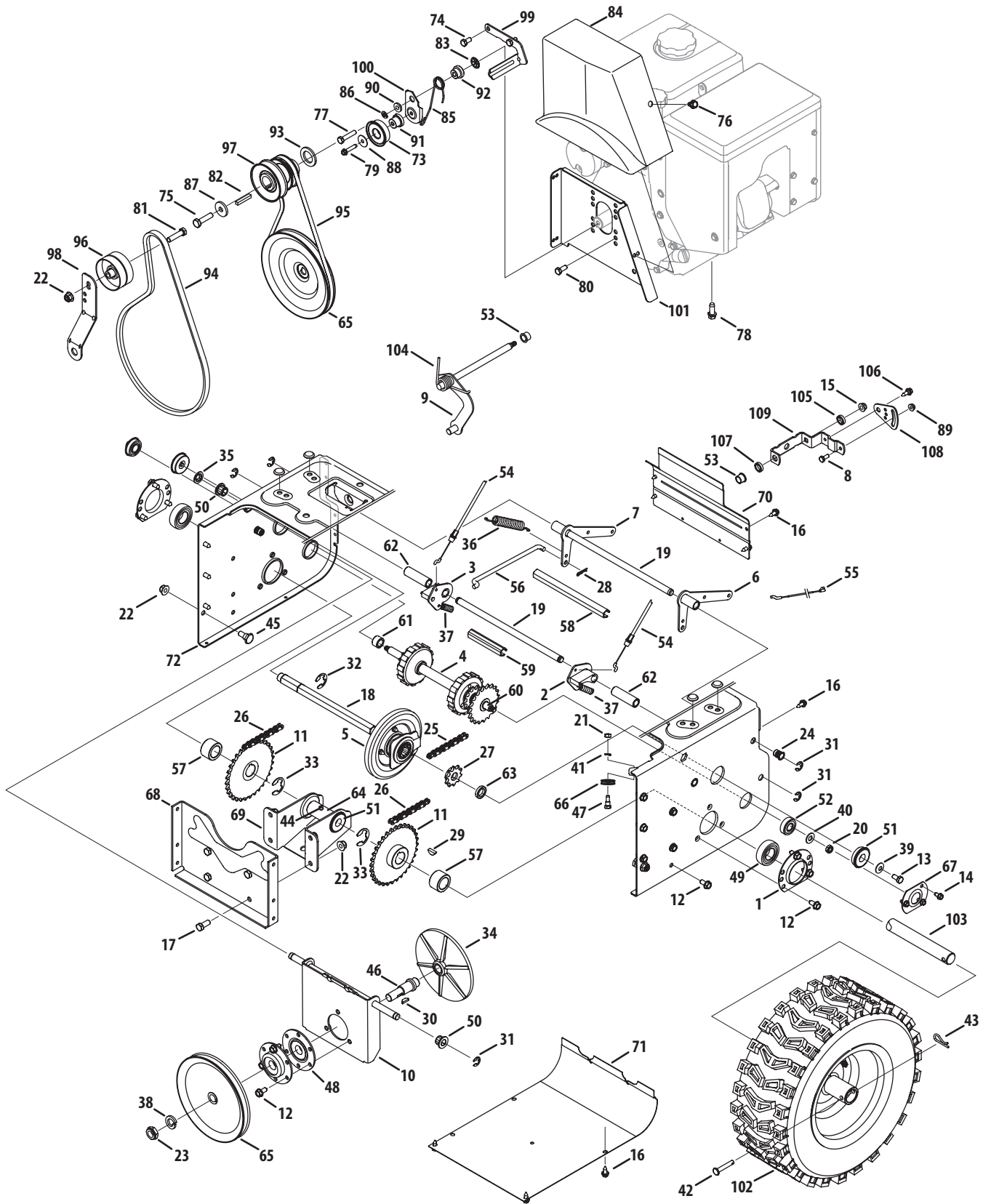


Handles, Handle Panel & Discharge Chute

Ref.	Part Number	Description
1.	716-04036	E-Ring
2.	725-0157	Cable Tie
3.	731-04913	Trigger Lock
4.	738-04126	Pin, 3/16
5.	984-04230	Chute Control Assembly
6.	710-0276	Carriage Screw, 5/16-18 x 1.0
7.	710-04187	Screw, 1/4-15 x .50
8.	710-0458	Carriage Screw, 5/16-18 x 1.75
9.	710-0597	Hex Screw 1/4-20 x 1.0
10.	710-0895	Screw, 1/4-15 x .750
11.	712-04063	Flange Lock Nut 5/16-18
12.	712-04064	Flange Lock Nut 1/4-20
13.	731-0846C	Upper Chute, 6.0
14.	731-0851A	Chute Flange Keeper
15.	731-0903E	Lower Chute
16.	731-1313C	Cbl. Guide, Chute Tilt
17.	936-0231	Flat Wash, .344 x 1.125 x .12
18.	784-5594	Cable Bracket
19.	631-04133A	Handle Assembly, LH
20.	631-04134B	Handle Assembly, RH
21.	931-04181A	Handle Panel
22.	646-0012	Cable Ass'y, Auger/Drive
23.	684-04105B	Engagement Handle, LH
24.	684-04106C	Engagement Handle, RH
25.	684-04250	Clutch Lock Rod Assembly
26.	710-04326	Screw, #8-16 x .50
27.	710-04586	Screw, 1/4-20 x 1.625
28.	710-0599	Hex Screw, 1/4-20 x .5
29.	710-0837	Screw, #10-16 x .625
30.	710-1233	Screw, #10-24 x 1.375
31.	710-3069	Screw, 1/4-20 x .50
32.	712-04081A	Nut, Hex, 1/4-20
33.	720-04039	Shift Knob
34.	777X41805	Lens Lable
35.	725-04393	Heated Grip Switch
36.	725-05148	Wire Harness
37.	725-05149	Heated Grip
38.	925-1629	Lamp, 12.8V
39.	925-1649	Light Socket
40.	731-04894D	Lock Plate

Ref.	Part Number	Description
41.	731-04896B	Clutch Lock Cam
42.	732-0193	Compression Spring
43.	732-04219C	Clutch Lock Spring
44.	732-04238	Torsion Spring, .8156 ID x .3038
45.	935-0199A	Rubber Bumper
46.	936-0267	Flat Washer, .385 x .87 x .06
47.	738-04125	Screw, Shldr., .374 x 1.05
48.	738-04348	Screw, Shldr., .437 x 1.345
49.	746-04341	Clutch Cable
50.	790-00248C	Panel Bracket
51.	790-00281B	Shift Lever
52.	684-04308A	Chute Crank Assembly
53.	684-04350	Joint Block Assembly
54.	710-04682	Hex Screw, 3/8-16 x 2.00
55.	710-0572	Carriage Screw, 5/16-18 x 2.5
56.	710-3118	Screw, Hex, 3/8-16 x 1.00
57.	912-3010	Nut, Hex, 5/16-18
58.	914-0101	Internal Cotter Pin
59.	714-04040	Pin, Bow-tie Cotter
60.	715-04095	Spring Pin, .156 dia. x .875 Lg.
61.	720-0201A	Knob, Crank
62.	920-0284	Knob, Wing Nut, 5/16-18
63.	926-0100	Push Cap, 3/8
64.	735-0234	Rubber Grommet
65.	736-0105	Bell Wash, .375 x .87 x .063
66.	936-0159	Flat Washer, .349 x .879 x .063
67.	936-0185	Flat Wash, .375 x .738 x .063
68.	736-0242	Wash, Bell, .34 x .872 x .06
69.	941-0475	Plastic Bushing, .38 ID
70.	747-04747	Eye Bolt, .70 Dia.
71.	747-04925A	Chute Rod, .375 Dia. x 29.72
72.	749-04674	Handle, Upper, RH
73.	749-04675	Handle, Upper, LH
74.	749-0991	Handle, Lower
75.	790-00329	Chute Crank Bracket
76.	715-0150	Roll Pin, 3/16 Dia. x 1.100
77.	731-05319	Lens
78.	710-04022	Hex Screw, M8-1.25
79.	732-04677	Cable Guide
80.	936-0264	Flat Washer, .330 x .630 x .0635

Snow Thrower Drive System



Snow Thrower Drive System

Ref. No.	Part No.	Description
1.	05244B	Housing, Bearing
2.	618-0279P	Dogg, Steering Drive, LH
3.	618-0280P	Dogg, Steering Drive, RH
4.	918-0282E	Shaft Assembly, Steering
5.	918-04178	Assembly, Friction Wheel
	718-04034	Wheel, Friction, Bonded
	710-0896	Screw, Hex Wash
6.	684-0118B	Bracket, Auger Actuator
7.	684-0119B	Bracket, Drive Actuator
8.	710-0751	Hex Head Screw, 1/4-20
9.	684-04229	Rod Assembly, Shift
10.	684-04212	Brkt, Friction Drive Suprt.
11.	684-04235	Sprocket, 32T
12.	710-04484	TT Screw, 5/16-18 x .750
13.	710-0538	Screw, Hex Cap Lock,
14.	710-0599	Screw, Hex, 1/4-20 x .50
15.	712-04063	Flange Lock Nut 5/16-18
16.	710-1652	Screw, Hex Wash.
17.	710-3001	Screw, Hex Cap, 3/8-16
18.	911-04279	Shaft, Hex Drive
19.	711-04605	Shaft, Actuator
20.	912-0116	Nut, Hex Insert Jam Lock
21.	912-0138	Nut, Hex, 1/4-28 GR5
22.	712-04065	Nut, Hx Flnge Insert Lk
23.	912-0413	Nut, Hx Insert Jam Lk
24.	712-0717	Nut, Insert 3/8-16
25.	713-0284	Chain, Endless, #41 x 36L
26.	713-0286	Chain, #420 x 40L
27.	913-04015	Sprocket, #41 x 10T
28.	914-0104	Pin, Internal Cotter
29.	914-0135	Key, Woodruff
30.	914-0388	Key, Hi-Pro, 3/16 x 5/8
31.	916-0104	E-Ring
32.	716-0136	Ring, Retaining
33.	716-04048	Ring, Retainer
34.	917-0302	Plate, Drive
35.	726-0221	Speed Nut, .500
36.	932-0121	Spring, Extension
37.	932-0209	Spring, Extension
38.	936-0158	Washer, Lock, 5/8
39.	736-0242	Wsh, Bell., .34 x .872 x .06

Ref. No.	Part No.	Description
40.	936-0864	Wash, .375 x .812 x .060
41.	936-0329	Washer, Lock, 1/4
42.	711-04615	Pin, Clevis
43.	914-0149B	Pin, Internal Cotter
44.	937-3000	Fitting, Lube, 3/16 Drive
45.	738-0143	Screw, Shldr., .498 x .34
46.	738-0279	Spindle, Drive Plate
47.	738-0924A	Screw, Hex Shldr., 1/4-28
48.	741-0163A	Ass'y, Bearing/Housing
49.	941-04025	Bearing, Self Aligning
50.	741-04108	Bearing, Hex Flange
51.	941-0563	Bearing, Ball
52.	741-0747	Bush, Flg, .5625 ID x 1.375 x .4375
53.	741-0748	Bush, Flg, .5 ID x .627 OD
54.	946-04337A	Cable, Steering
55.	946-0951A	Cable, Auger Idler
56.	747-0973	Rod, Drive Clutch
57.	750-04703	Spacer, 1.01 x 1.50 x .93
58.	750-04717	Spacer, .49 x 7.865
59.	750-04718	Spacer, .49 x 3.545
60.	750-05342	Spacer, .566 x .87 x .190
61.	750-05343	Spacer, .566 x .87 x 1.25
62.	750-0903B	Spcr., .514 x .632 x 2.44
63.	950-0997	Spacer, .675 x 1.0 x .23
64.	750-1302B	Spcr, .6725 x 1.125 x 2.48
65.	756-0344	Pulley, Drive
66.	756-0625	Roller, Cable
67.	784-0404	Retainer Bracket
68.	784-0406A	Bracket, Frame Support
69.	784-0407	Bracket, Axle Support
70.	790-00257	Cover, Upper Frame
71.	790-00259	Cover, Lower Frame
72.	790-00349	Trans Frame
73.	684-04169	Idler Pulley Assembly
74.	710-0627	Screw, Hex 5/16-24 x .75
75.	710-0191	Screw, Hex 3/8-24 x 1.25
76.	710-0607	Screw, Hx Wash Hd Tapp
77.	710-0624	Screw, Hex Cap, 5/16-24 x 1.50
78.	710-0654A	Screw, 3/8-16 x 1.00
79.	710-0809	Screw, 1/4-20 x 1.25
80.	738-04439	Screw, Shldr., .500 x .145

Continued on following page

Snow Thrower Drive System *(Continued)*

Ref. No.	Part No.	Description
81.	710-0347	Screw, Hex Cap, 3/8-16 x 1.75
82.	714-0118	Key, Square, 1/4 x 1.5
83.	926-04012	Nut, Push
84.	931-2531	Cover, Belt
85.	732-04308A	Torsion Spring, .850 dia. x .333 lg.
86.	936-0119	Washer, Lock, 5/16
87.	736-3082A	Washer, Flat, .45 x 1.5
88.	736-3092	Washer, Flat, .265 x 1.0 x .030
89.	712-04064	Flange Lock Nut 1/4-20
90.	748-04112B	Shldr. Spacer, .3175 x .500 x .094
91.	750-04571	Shldr. Spacer, .260 x .785 x .538
92.	750-04821	Shoulder Spacer, .340 x 1.00
93.	750-05316	Spacer, 1.02 x 1.63 x .1425
94.	954-04194A	V-Belt, 4L x 44.60
95.	954-04202	V Belt, 3/8 x 36.68
96.	756-04224	Pulley, Flat Idler, 2.75 OD
97.	756-0241B	Double Pulley, 3.25 x 2.75
98.	784-0385D	Bracket, Auger Idler
99.	790-00167A	Belt Keeper Bracket
100.	790-00208C	Idler Drive Wheel Bracket
101.	790-00254A	Belt Cover Bracket
102.	634-0225A	Wheel Ass'y, - LH
	634-0226A	Wheel Ass'y, - RH
	734-2031	Tire
	734-1124A	Rim Assembly
	934-0255	Valve
103.	711-04606A	Axle, Wheel, 45"
104.	732-04385	Torsion Spring, .750 I.D. x .968 Lg.
105.	936-3015	Flat Washer, .469 x .875 x .105
106.	738-04184A	Shoulder Screw, .368 x .113
107.	750-04719	Spacer, .515 ID x .750 OD x .220
108.	790-00217A	Speed Selector Pivot Bracket
109.	790-00218A	Speed Selector Shift Bracket