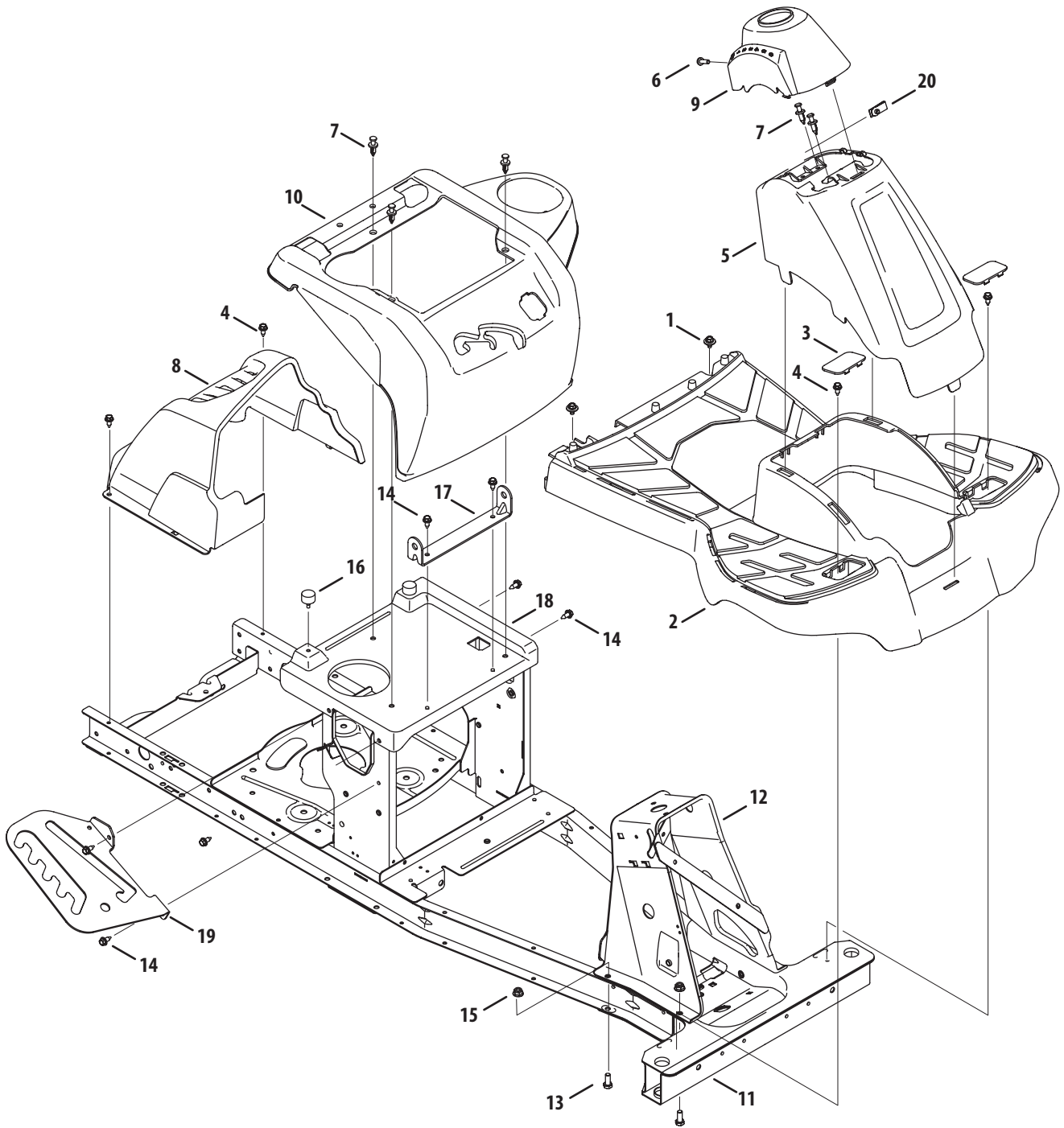


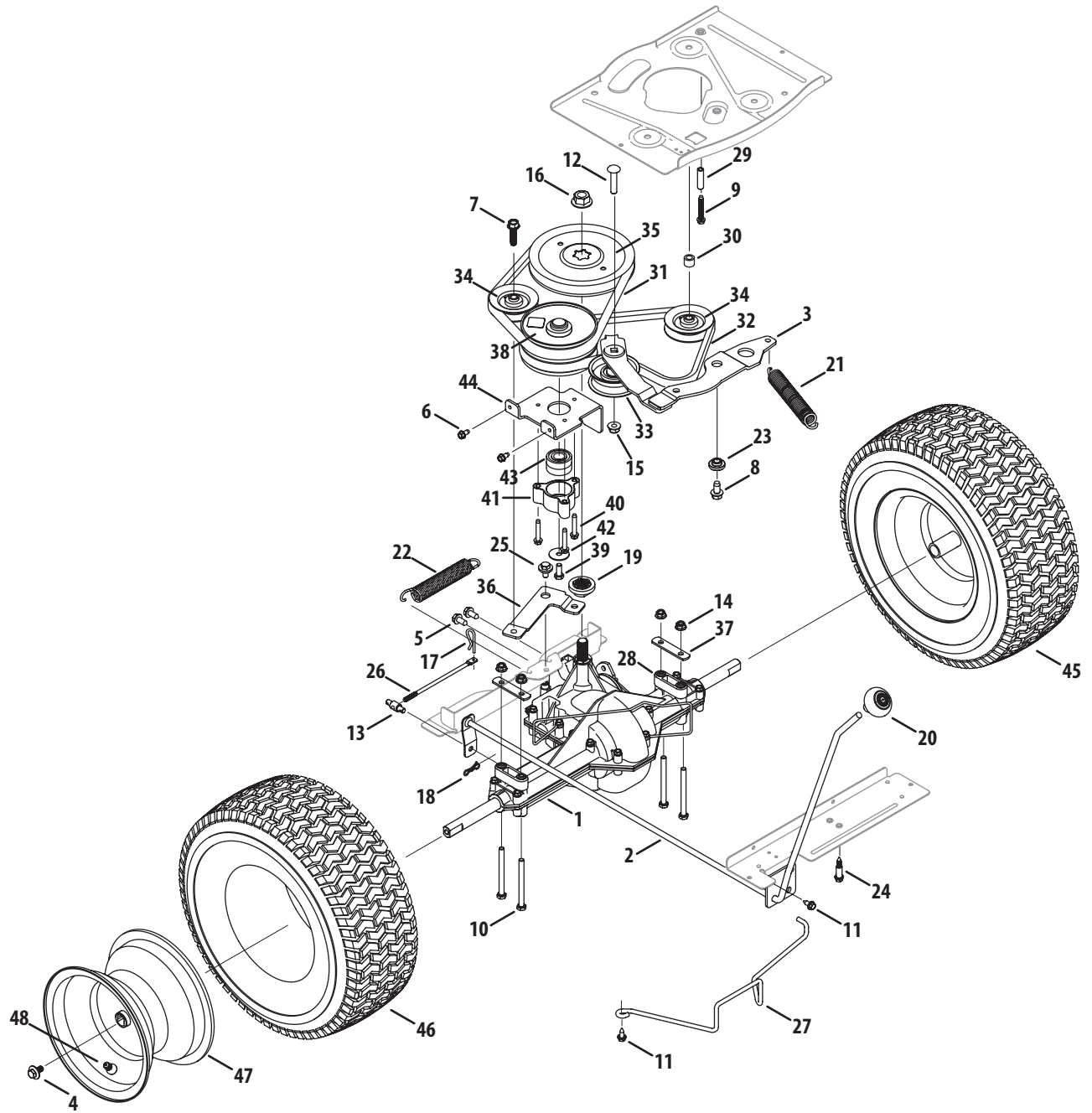
Frame & Fender

THERE ARE NO ACCESSORIES FOR THIS RIDER



Ref. No.	Part No.	Description
1	710-05073	Screw, 1/4-20 x .500
2	731-08528A	Running Board
3	731-08753A	Running Board Plug
4	738-04184A	Shoulder Screw, .368 X.113: 1/4-20
5	631-05040	Column Cover
6	710-0924	Machine Screw, 1/4-20, 0.750
7	728-0199	Rivet, .3125
8	731-09318	Drive Cover
9	731-09398	Steering Column Cap
10	931-09423	Fender
11	683-05015	Frame Assembly
12	683-05019	Column Assembly
13	710-1238	Hex Washer Screw, 5/16-18 x .875
14	710-1652	Tap Screw, 1/4-20, .625
15	712-04063	Flange Locknut, 5/16-18
16	735-05006	Bumper, .62 Dia. x .50
17	783-07168	Seat Pivot Bracket
18	783-08115	Seat Plate
19	783-08260	Deck Lift Index Bracket
20	712-04092	U-type Speed Nut, 1/4-20

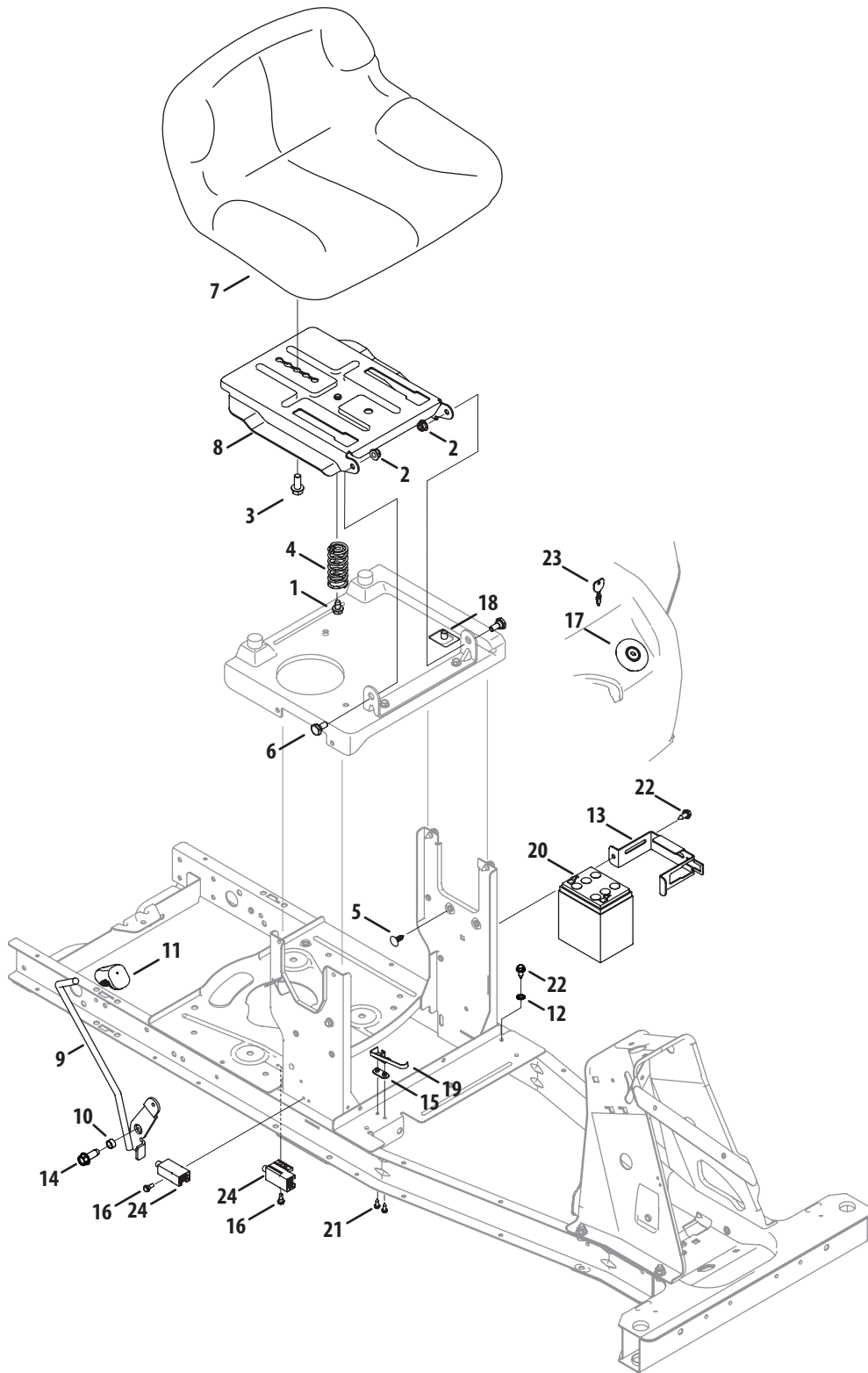
Drive System



Ref. No.	Part No.	Description
1	918-05056A	Transmission Assembly
2	647-05031	Shift Handle Assembly
3	683-04768A	Drive Assembly Idler
4	710-05339	Screw, 5/16-24 x .750
5	710-04484	Tap Screw, 5/16-18, .750
6	710-0599	Tap Scw, 1/4-20, 0.500
7	710-06016	Screw, 3/8-16 x 1.375
8	710-0623	Tap Screw, 3/8-16, 0.750
9	710-1026	Screw, 1/4-20 x 1.750
10	710-1266	Hex Cap Screw, 5/16-18 x 3.5, Gr5
11	710-1652	Tap Screw, 1/4-20 x .625
12	710-0560	Screw, Carriage: 3/8-16 x 1.75"
13	711-06141	Adjustable Ferrule, 1/4-20 X 1.00
14	712-04063	Flange Locknut, 5/16-18
15	712-04065	Flange Lock Nut, 3/8-16
16	712-0700	Flange Nut, 9/16-18
17	914-0209	Internal Cotter Pin, .125 Dia.
18	714-04040	Bow-Tie Cotter Pin
19	718-04407	Pulley Hub, 5/8 Spline
20	720-04028	Shift Knob
21	732-0459C	Extension Spring, .94 Dia. X 6.74 Lg.
22	732-04934	Extension Spring, .97 OD X 6.18
23	738-0372B	Shoulder Spacer, 1.00 X .38 X .38
24	738-05016	Shoulder Screw, .368 x .75, 1/4-20

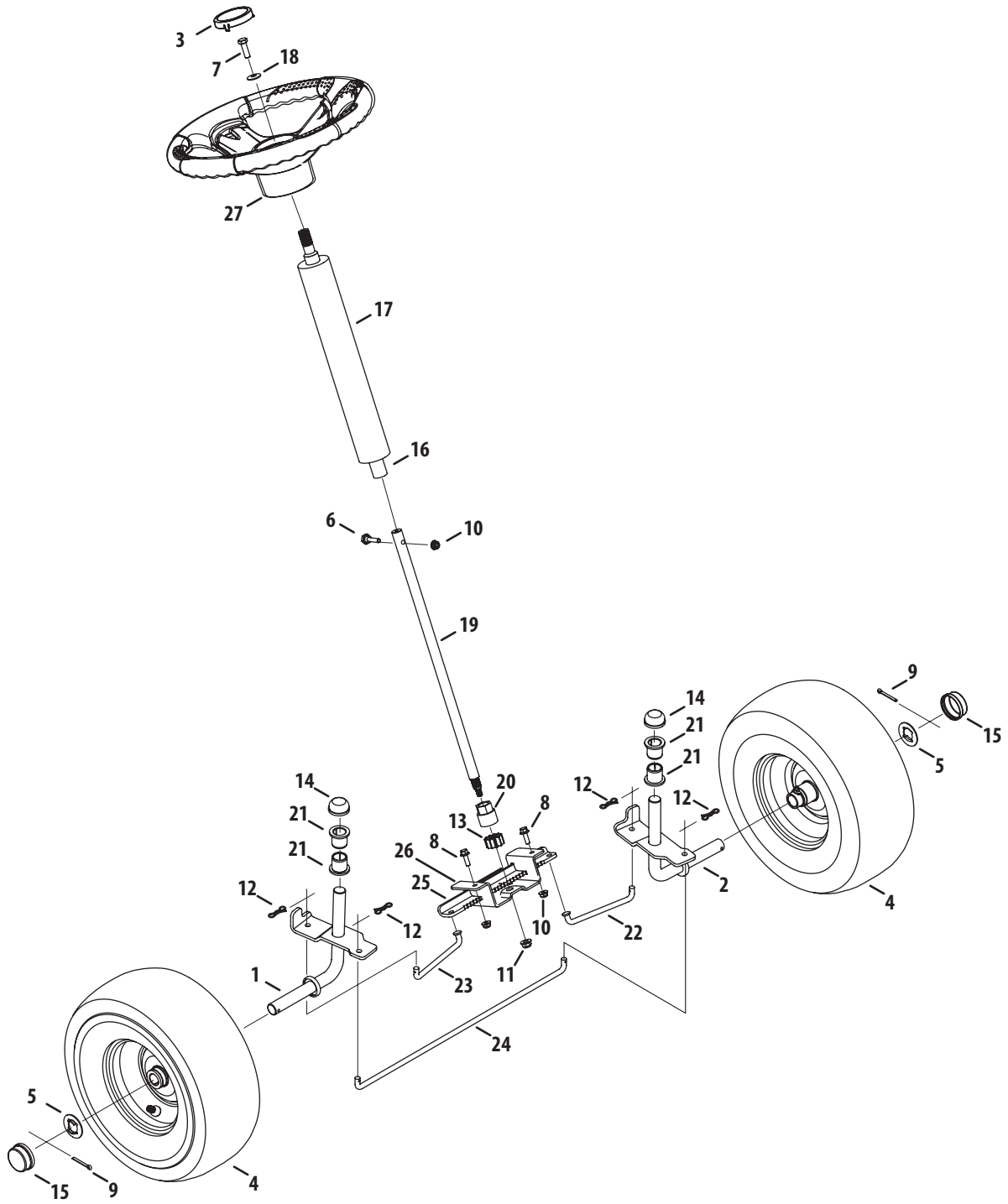
Ref. No.	Part No.	Description
25	738-05019	Shoulder Screw, .560 x .165, 5/16-18
26	747-05593	Shift Rod
27	747-06126	Deck Belt Keeper, 30"
28	948-0334	Spacer
29	750-04456	Spacer, .260 X .372 X 1.420
30	750-05563	Spacer, .385 x .625 x .500
31	954-0241A	V-Belt, 5L:35.25
32	954-04331	V-Belt, 5L:35.28
33	756-04224	Flat Idler Pulley, 2.75 OD
34	756-04325	V-Type Idler Pulley, 3.06
35	756-04464	V-Type Pulley, 6.56
36	783-07248	Rear Idler Arm Bracket
37	783-08131	Transaxle Mounting Bracket
38	956-04015A	Variable Speed Pulley Assembly
39	710-0627	Hex Head Lock Screw, 5/16-24:.750
40	710-0778	Tap Screw, 1/4-20:1.500
41	718-04261	Bearing Cup
42	736-0362	Flat Washer, .330x1.250x.060
43	941-0600	Ball Bearing, 17 X 40 X 12
44	783-08210	Variable Bracket
45	734-0591	Complete Wheel Assembly
46	734-04641	Tire, 16 x 6.5 x 8 Sq. Shldr.
47	934-04319	Rim Assembly, 8.0 x 5.38
48	934-0255	Air Valve

Seat & Electrical



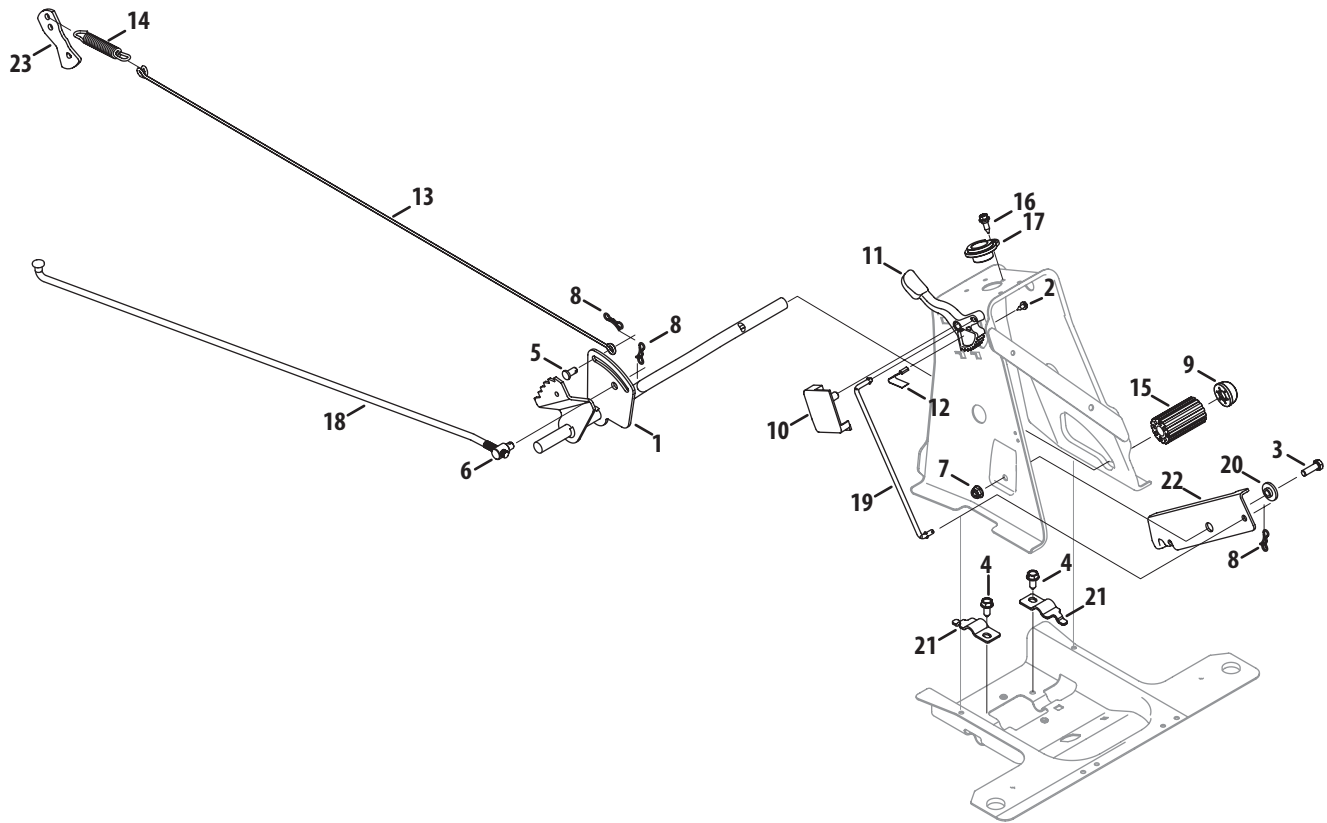
Ref. No.	Part No.	Description
1	710-0607	Tap Screw, 5/16-18, 0.500
2	712-04063	Flange Lock Nut, 5/16-18
3	710-04482	Hex Flange Screw, 3/8-16 x .875
4	732-04905	Seat Spring
5	726-3046	Ratchet Clip
6	938-0140	Shldr Spacer, .435 X .178-5/16 X .56
7	757-04099	Seat
8	783-07213A	Seat Pivot Bracket
9	683-04754	PTO Handle Assembly
10	750-0526	Spacer, .380 ID x .50 OD x .265
11	720-04049A	Handle Grip, 3/8
12	936-0222	Lock Washer, 1/4
13	783-08015	Battery Tray
14	710-04683A	Tap Screw, 3/8-16, 1.000
15	926-0320	Insulator Plate
16	738-04237A	Shoulder Screw, #10-32, .500
17	925-04659	Three-Way Key Switch
18	925-05013	Seat Switch
19	725-1643	Switch Spring
20	725-04903	Battery, 12 Volt
21	710-0227	Screw, #8
22	710-1652	Tap Screw, 1/4-20, .625
23	625-05002	Key, Assembly
24	725-04363	Interlock Switch
—	725-06044	Wiring Harness (Not Shown)

Front End Steering



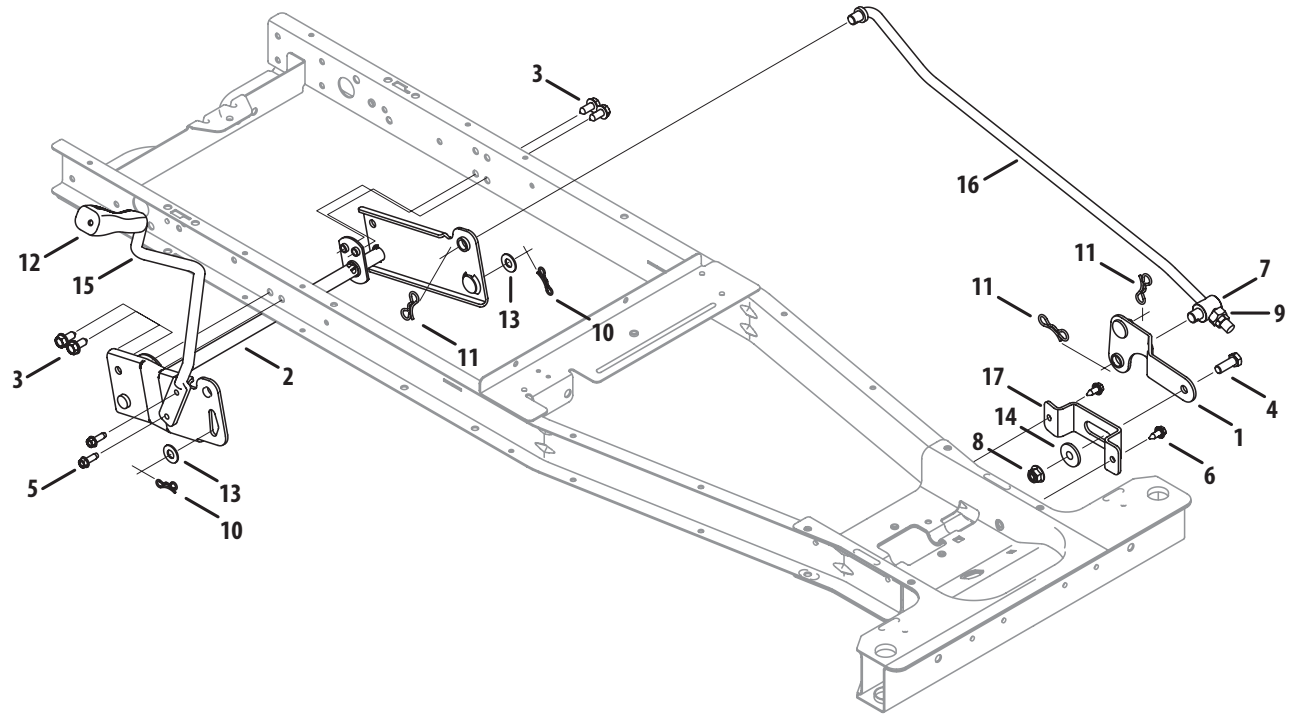
Ref. No.	Part No.	Description
1	683-04726	Front Axle Assembly, RH
2	683-04727	Front Axle Assembly, LH
3	731-04039	No Sprig Cap
4	634-04732-0911	Complete Wheel Assembly
5	736-04228A	Washer, .781 x 1.59
6	738-05000	Shoulder Screw, .375 x .148 x 1/4-20
7	710-0643	Hex Head Screw, 5/16-18:1.00
8	710-0134	Carriage Screw, 1/4-20, .62
9	714-0162	Cotter Pin, 5/32 x 1.25
10	712-04064	Flange Lock Nut, 1/4-20
11	712-04065	Flange Lock Nut, 3/8-16
12	714-04040	Bow-Tie Cotter Pin, 72
13	717-1554	Steering Pinion Gear
14	726-0341	Push Cap, 3/4
15	931-0484A	Hub Cap
16	983-04763	Tube Assembly, Non-Telescoping
17	723-04095A	Steering Sleeve
18	736-0242	Bevel Washer, .340X.872X.060
19	738-04537	Steering Shaft, .625 OD X 18.03
20	741-04542A	Hex Flange Bearing, 5/8
21	741-0660A	Flange Bearing, .760 X .941 X 1.0
22	747-05514	Steering Rod, LH
23	747-05585	Steering Rod, RH
24	747-06027	Front Tie Rod
25	783-06988A	Steering Rack Plate
26	783-07239A	Lower Steering Bearing
27	631-04028	Steering Wheel, Std. Grip

Pedal Controls



Ref. No.	Part No.	Description
1	683-05017	Brake Pedal Assembly
2	910-0224	Screw, #10-16:0.500
3	710-0376	Hex Head Scerw, 5/16-18:1.00
4	710-04484	Tap Screw, 5/16-18:.750
5	711-06097A	Clevis Pin, 5/16 x 5/8
6	711-06103	Ferrule 3/8-24 X .375 Dia.
7	712-04063	Flange Lock Nut, 5/16-18
8	714-04040	Bow-Tie Cotter Pin, 72
9	726-0214	Push Cap, 5/8
10	731-08656A	Speed Control Cover
11	731-08743B	Speed Lever, 6-SPEED
12	732-04937	Shift Spring

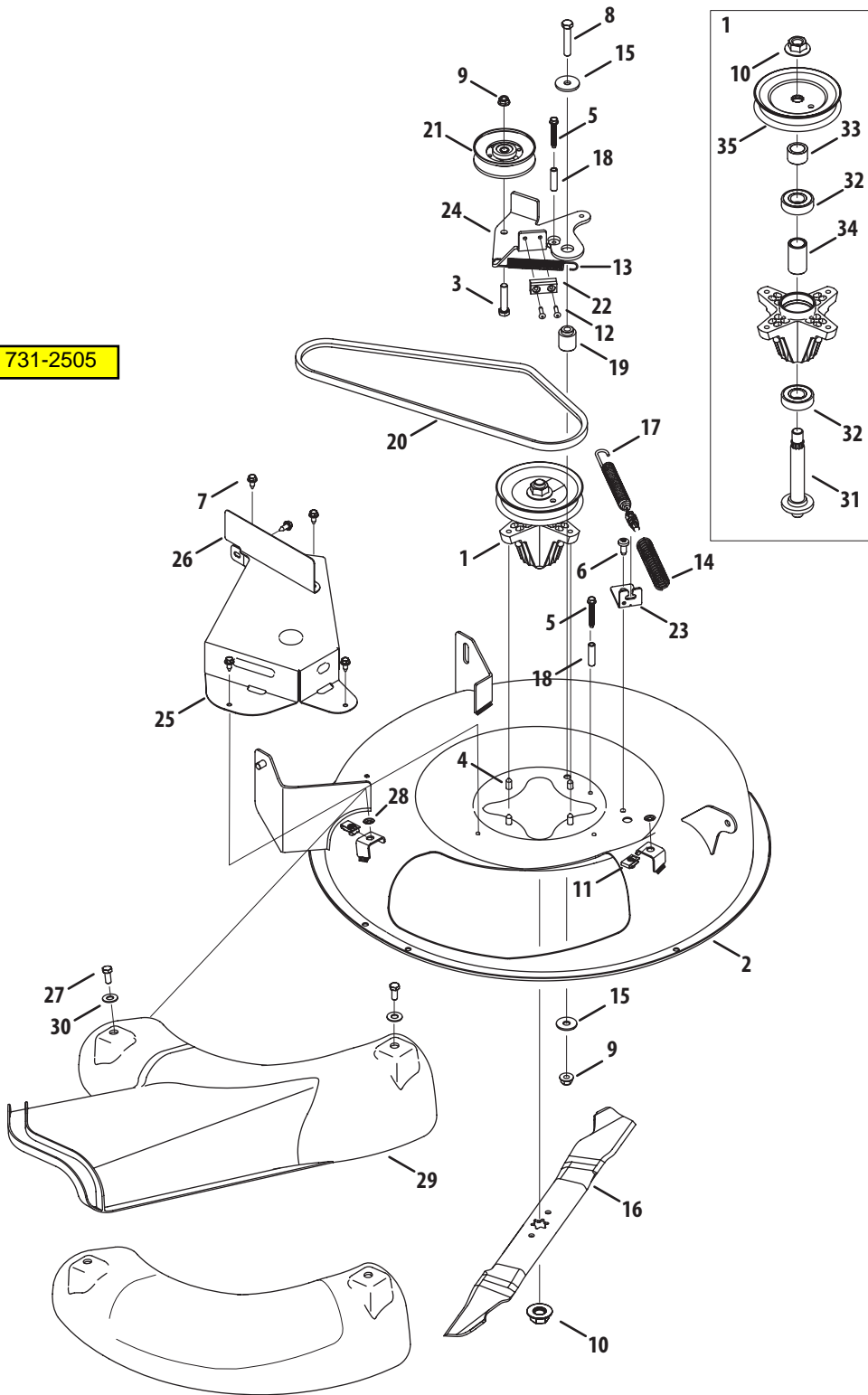
Ref. No.	Part No.	Description
13	732-05042A	Brake Rod, 39.92 LG
14	732-05072	Extension Spring, .59 OD x 4.00 LG
15	735-04279	Foot Pad, 2.5" LG.
16	738-04184A	Shoulder Screw, .368 X.113, 1/4-20
17	741-0356A	Steering Col. Bearing, .880 ID X 1.36
18	747-05506	Variable Speed Control Rod
19	747-06015	Speed Selector Control Rod
20	748-0234	Shoulder Spacer
21	783-05940	Pedal Strap Support Bracket, 5/8
22	783-08116	Speed Latch Bracket
23	717-0772B	Brake lever Bracket



Ref. No.	Part No.	Description	Ref. No.	Part No.	Description
1	683-05011	Front Hanger Bracket Assembly	10	714-04040	Bow-Tie Cotter Pin, 72
2	683-05018	Lift Assembly Shaft	11	714-04043	Bow-Tie Cotter Pin, 91
3	710-04484	Tap Screw, 5/16-18, .750	12	720-0311	Grip Handle, 1/2
4	710-0514	Hex Head Screw, 3/8-16, 1.00	13	936-0300	Flat Washer, .406 X .875 X .059
5	710-0642	Tap Screw, 1/4-20, 0.750	14	938-0347	Shoulder Spacer, .625 ID X .169
6	710-1652	Tap Screw, 1/4-20 X .625	15	747-05576	Deck Lift Rod
7	711-05690	Ferrule, .50 X .50	16	747-06009	Lift Link Rod
8	712-04065	Flange Lock Nut, 3/8-16	17	783-08073	Front Deck Mounting Bracket
9	712-04243	Flex Lock Nut, 1/2-13			

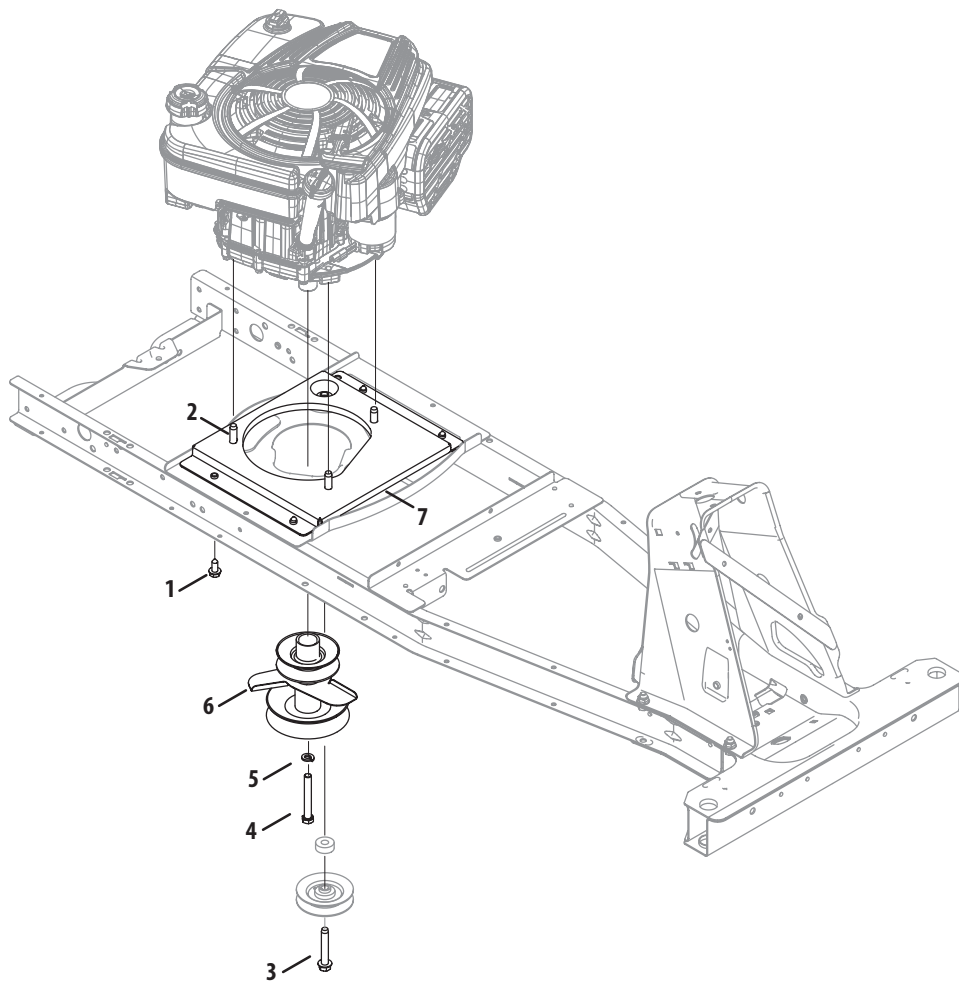
24" Deck

MULCH PLUG = 731-2505



Ref.	Part Number	Description
1	918-06032	Spindle Pulley Assembly, 5.0 DIA
2	683-05008	Deck Assembly, 24"
3	710-0347	Hex Cap Screw, 3/8-16 x 1.75
4	710-04484	Tap Screw, 5/16-18, .750
5	710-1026	Tap Screw, 1/4-20, 1.750
6	710-1611B	Screw, 5/16-18 x .75
7	710-1652	Tap Screw, 1/4-20 X .625
8	710-3144	Hex Cap Screw, 3/8-16 x 2.0
9	712-04065	Flange Lock Nut, 3/8-16
10	712-0417A	Flange Nut, 5/8-18
11	926-0211	U-Nut 5/16-18
12	928-0173	Pop Rivet
13	932-0470A	Extension Spring, .53 OD x 4.75
14	732-0583	Compression Spring, .625 x 4.0
15	736-0320	Flat Washer, .38 x 1.38 x .12
16	942-0760	Blade, 24" 3-IN-1
17	946-05009	PTO Cable
18	750-04456	Spacer, .260 X .372 X 1.420 LG
19	750-04859C	Shoulder Spacer, 18MM x 5.0MM
20	954-05001	V-Type Belt, 43.5 LG
21	756-05004	Pulley, 3.54 Dia.
22	761-04017	Spindle Pad
23	783-06243	Deck Cable Engagement Bracket
24	783-08039	Deck Idler Bracket
25	783-08136	Deck Belt Cover
26	783-08151	Deck Shield
27	710-06079	Screw, 5/16-18 x .75
28	726-0201	Speed Nut, .3125
29	731-2477	Discharge Chute
30	936-0300	Flat Washer, .406 x .875 x .059
31	738-0933	Spindle Shaft, 5.25 LG
32	941-0919A	Ball Bearing, .787ID X 1.85 ODX.551
33	748-0433	Spacer, .820 x 1.15 x .730
34	750-04936	Spacer, .792 X 1.060 X 1.860 LG
35	756-0969	Pulley 5.0" Dia.

Engine Accessories B&S



Ref. No.	Part No.	Description
1	710-04484	Tap Screw, 5/16-18, .750
2	710-04683A	Tap Screw, 3/8-16, 1.000
3	710-05446	Tap Screw, 3/8-16, 2.250
4	710-1273	Hex Cap Screw, 3/8-24 x 2.75
5	936-0169	Lock Washer, 3/8
6	756-05002	Engine Pulley
7	783-07403	Engine Mounting Plate

Wiring Harness Schematic - 725-06044

