

Replacement Parts



9

DESCRIPTION	PART NO.
Drive Belt (Mowing Deck) 42" Deck	954-04060B
Drive Belt (Mowing Deck) 46" Deck	954-04245
Deck Blade (42" Deck)	942-04308
Deck Blade (46" Deck)	942-04290
Deck Spindle (42" Deck)	918-04822A
Deck Spindle (46" Deck)	918-04865A
Deck Wheel (Front)	734-04155
Battery	925-1707D
Tire (Front) 15 x 6 x 6 Round Shoulder	734-04240A
Tire (Front) 15 x 6 x 6 Square Shoulder	734-1731
Tire (Rear) 20 x 8 x 8 Round Shoulder	734-04241
Tire (Rear) 20 x 8 x 8 Square Shoulder	734-1730
Hub Cap	931-0484A
Fuel Tank Cap	751-12179A
Throttle Control/Choke Cable	746-04367
Discharge Chute Assembly 42" Deck	631-04288
Discharge Chute Assembly 46" Deck	631-04288
Key	925-1745A

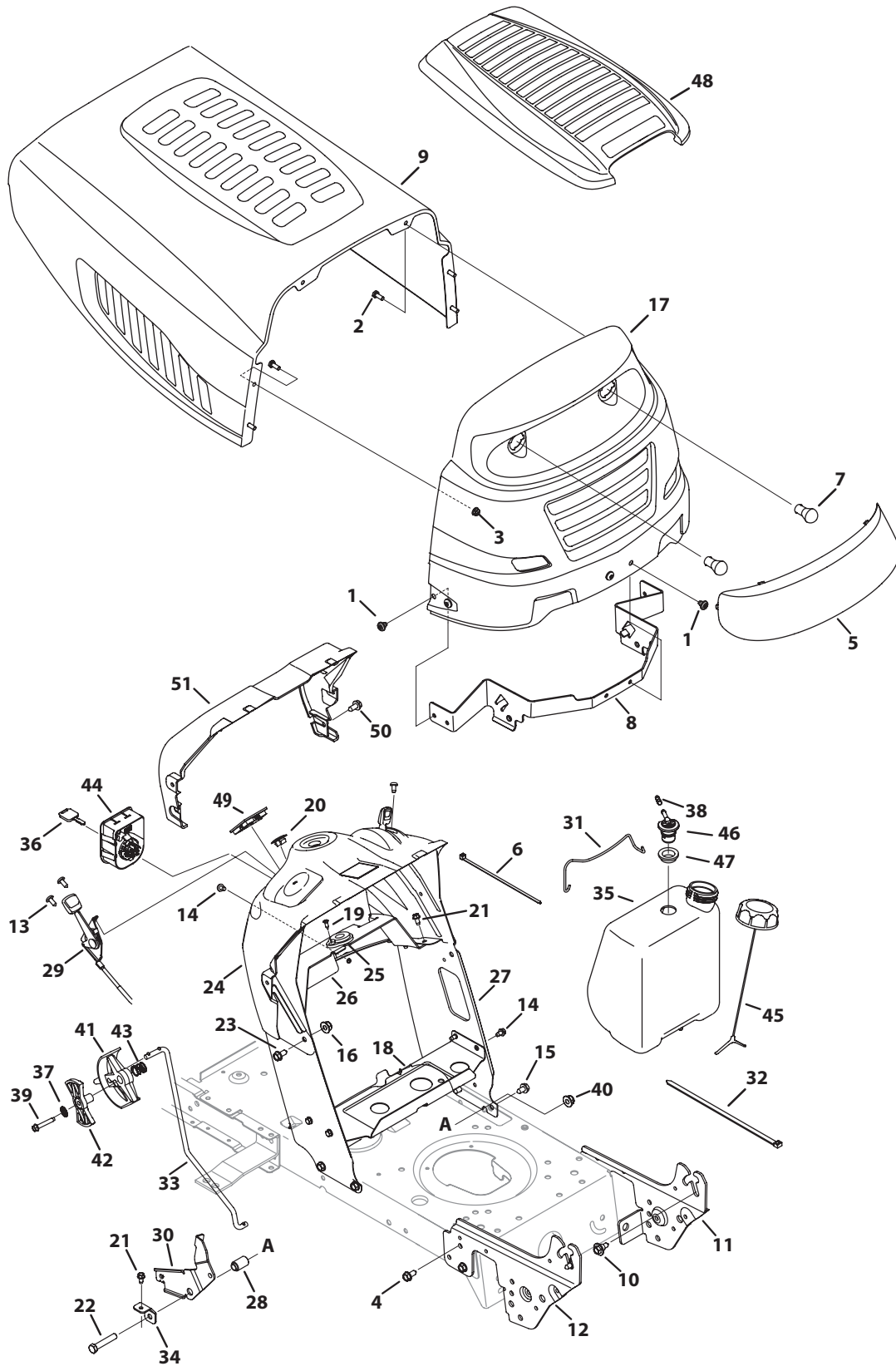
The following attachments and accessories are compatible for Model Series 700 Hydrostatic Lawn Tractors. See the retailer from which you purchased your tractor, an authorized MTD Service Dealer or phone (800) 800-7310 for information regarding price and availability.



CAUTION: Model Series 700 Hydrostatic Lawn Tractors are NOT designed for use with any type of ground-engaging attachments (e.g. tiller or plow). Use of this type of equipment WILL void the tractor's warranty.

Model Number	Description
19A30003OEM	42-inch Double Bagger Kit
19A30006OEM	42-inch Deck Mulch Kit
19A30003OEM	46-inch Double Bagger Kit
19A30005OEM	46-inch Deck Mulch Kit
OEM-190-607	Deluxe Tractor Sunshade
OEM-190-679	Bumper
490-900-0025	Deck Wash Kit
OEM-190-032	42-inch Two-stage Snow Thrower
OEM-19A-218	Rear Wheel Weight Kit
OEM-190-658	Tire Chains, 20 x 8 Tires
OEM-190-833	42-inch Front Dozer Blade
490-850-0005	Blade Removal Tool
490-850-0008	Oil Siphon
490-290-0013	Arnold Tractor Cover
490-900-0045	Arnold Oil Filter Wrench
SPW-134	Arnold Spark Plug Wrench
490-325-L021	1 Gallon Tire & Tube Sealant By Tire Aid
490-325-L019	24 Oz Tire & Tube Sealant By Tire Aid
490-850-L013	Deluxe Tire/ Tube Foot Pump By Tire Aid
490-850-L014	Tire Aid Deluxe Tire Plug Kit By Tire Aid
490-328-L014	15" Tractor Tube With Sealant By Tire Aid
490-328-L017	16" Tractor Tube With Sealant By Tire Aid
490-328-L016	18" & 20" Tractor Tube With Sealant By Tire Aid

5 Style Hood



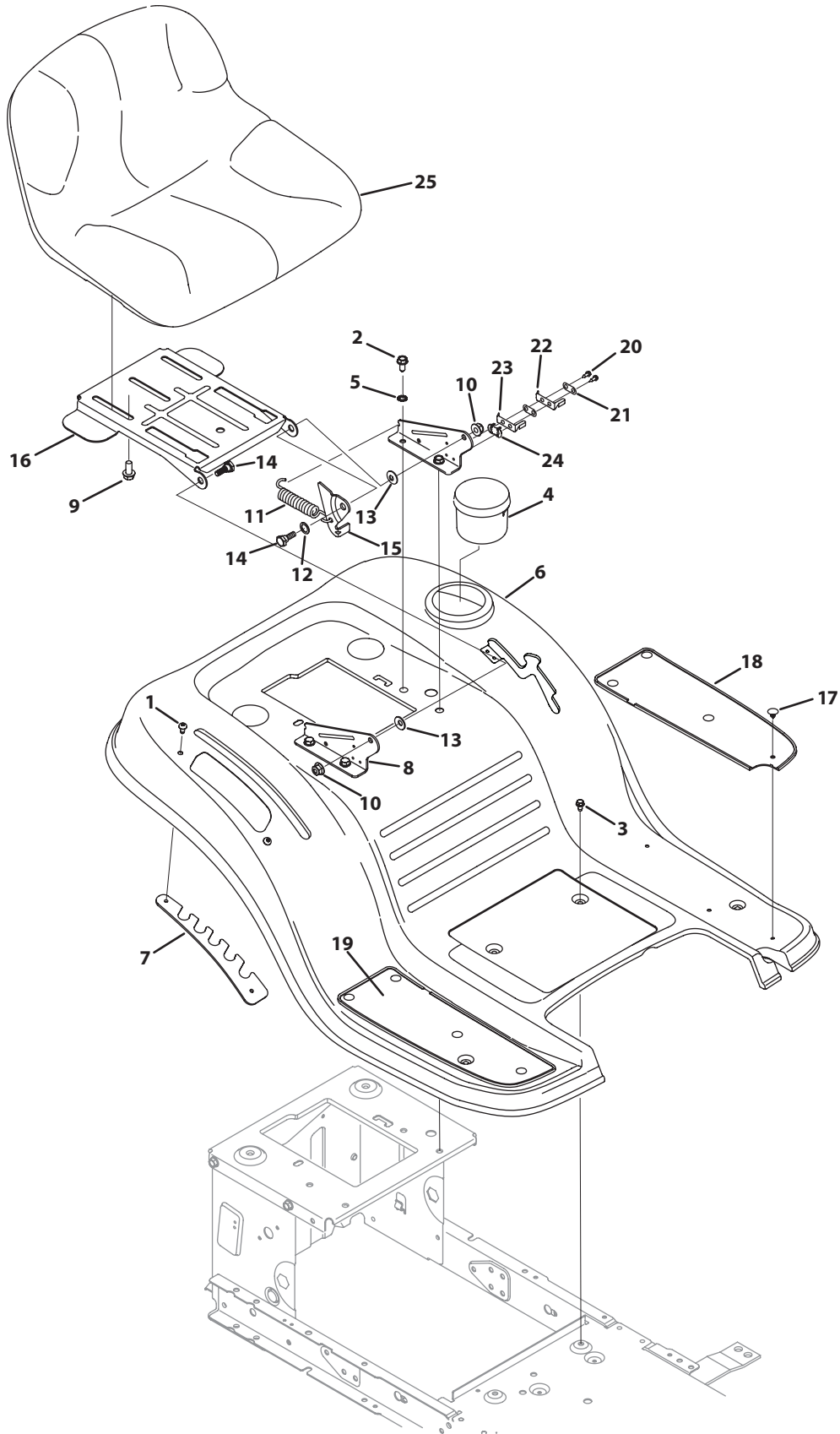
5 Style Hood

Ref. No.	Part No.	Description	Ref. No.	Part No.	Description
1	710-04593	Screw, 5/16-18 x .375	28	750-04465B	Flange Spacer, .390 x .671 x 1.095
2	710-0751	Hex Screw, 1/4-20 x .620	29	746-04367	Throttle/Choke Cable
3	712-04064	Flangelock Nut, 1/4-20	30	683-04766	Transmission Speed Latch, RMC
4	710-04484	Screw, 5/16-18 x .750		783-06991	Speed Latch - No RMC
5	731-04949A	Grill Lens	31	683-04448	Battery Assembly Rod
6	725-0157	Cable Tie	32	726-0230	Cable Tie
7	925-0963	Lamp	33	747-05398	Speed Control Rod
8	783-05454	Hood Pivot Bracket	34	783-06823	Speed Latch Tab
9	783-05683	Hood	35	951-04304	1.36 Gallon Fuel Tank
10	738-04091A	Shoulder Screw, 5/16-18 x .43 x .29	36	625-05002	Key, Assembly
11	783-05327B	Left Support Pivot Bracket	37	736-3006	Lock Washer, 1/4
12	783-05328A	Right Support Pivot Bracket	38	751-12089-28	Hose Vent, 3/16 EPA
13	710-04483	Screw, 1/4-20 x .500	39	710-0778	Hex Washer Screw, 1/4-20 x 1.50
14	710-05070	Screw, 1/4-20 x .500	40	712-04065	Flangelock Nut, 3/8-16
15	710-0604A	Screw, 5/16-18 x .625	41	731-07885B	Shift Lever
16	712-04063	Flangelock Nut, 5/16-18	42	731-07966A	Index Control
17	783-05685	Grill	43	732-04877	Compr. Spring, .72 OD x .78
18	783-07083	Gas Tank Support Bracket	44	925-04227B	Key Switch Module
19	910-0224	Screw, #10-16 x .500		925-04659	Key Switch 3 Position
20	731-05265	Choke Plug	45	951-12179A	Fuel Cap, 2.25"
21	710-1652	Tap Screw, 1/4-20, 0.625	46	751-12118	Rollover Valve
22	710-3144	Hex Screw, 3/8-16 x 2.0	47	735-04081	Rubber Grommet, 23 x 3.55
23	710-3025	Hex Screw, 5/16-18 x .625	48	731-05522A†	Hood cover
24	931-07770	Dash, Upper	49	731-05232	Ammeter Plug
	931-08426A	Dash, Upper RMC	50	710-0895	Screw, 1/4-15 x .750
	931-08054	Dash, Upper NRMC	51	731-05078C†	Dash Collar
25	741-0587	Bearing, .628 ID x 1.36	—	725-04432G	Harness, LT-5, RMC,Dual
26	783-06785A	Bracket, Steering Support	—	925-04567G	Harness, LT-5, NRMC,Dual
27	783-06811	Dash, Lower			

†If Equipped

NOTE: Tractor features vary by model. NOT all parts listed above and pictured on the previous page are standard equipment.

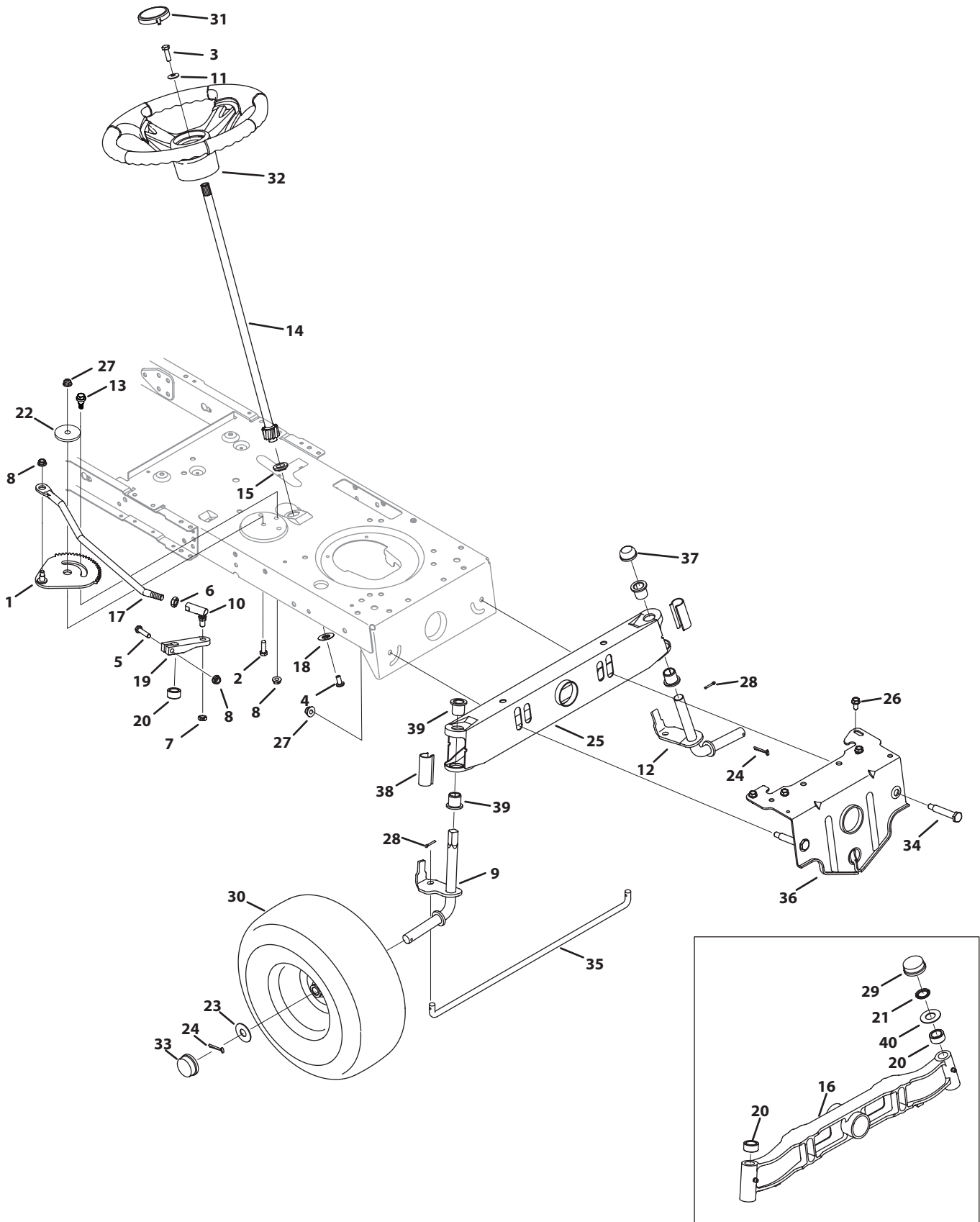
Seat and Fender



Ref. No.	Part No.	Description
1	710-05070	Screw, 1/4-20 x .500
2	710-04484	Screw, 5/16-18 x .750
3	710-0599	Screw Pan Torx Head, 1/4-20 x .500
4	731-04591A	Cup Holder
5	736-0607	Loack Washer, 5/16
6	783-04593E	Fender
7	783-04843	Lift Adjuster Bracket
8	783-1489D	Seat Mount Bracket
9	710-04482	Hex Flange, 3/8-16 x .875
10	712-04063	Flangelock Nut, 5/16-18
11	732-1184	Extension Spring
12	936-0108	Flat Washer, .510x .750 x .033
13	736-0242	Bell Washer, .340 x .872 x .060
14	938-0296	Shoulder Screw, 5/16-18 x .437 x .268
15	783-0209D	Lift Seat Bracket
16	783-04081D	Pivot Seat Manual Adjust Bracket
17	726-3046	Ratchet Clip, .250 x .500
18	735-04047	Foot Pad, LH
19	735-04048	Foot Pad, RH
20	710-0227	Screw, 8-18 x .500
21	726-0279	Insulator Plate
22	925-1303	Outer Seat SPring
23	725-1439	Inner Seat Spring
24	726-0278	Insulator Boss Plate
25	757-04083A	Medium Back Seat
	757-04088A	High Back Seat

NOTE: Tractor features vary by model. NOT all parts listed above and pictured on the previous page are standard equipment.

Front End Steering

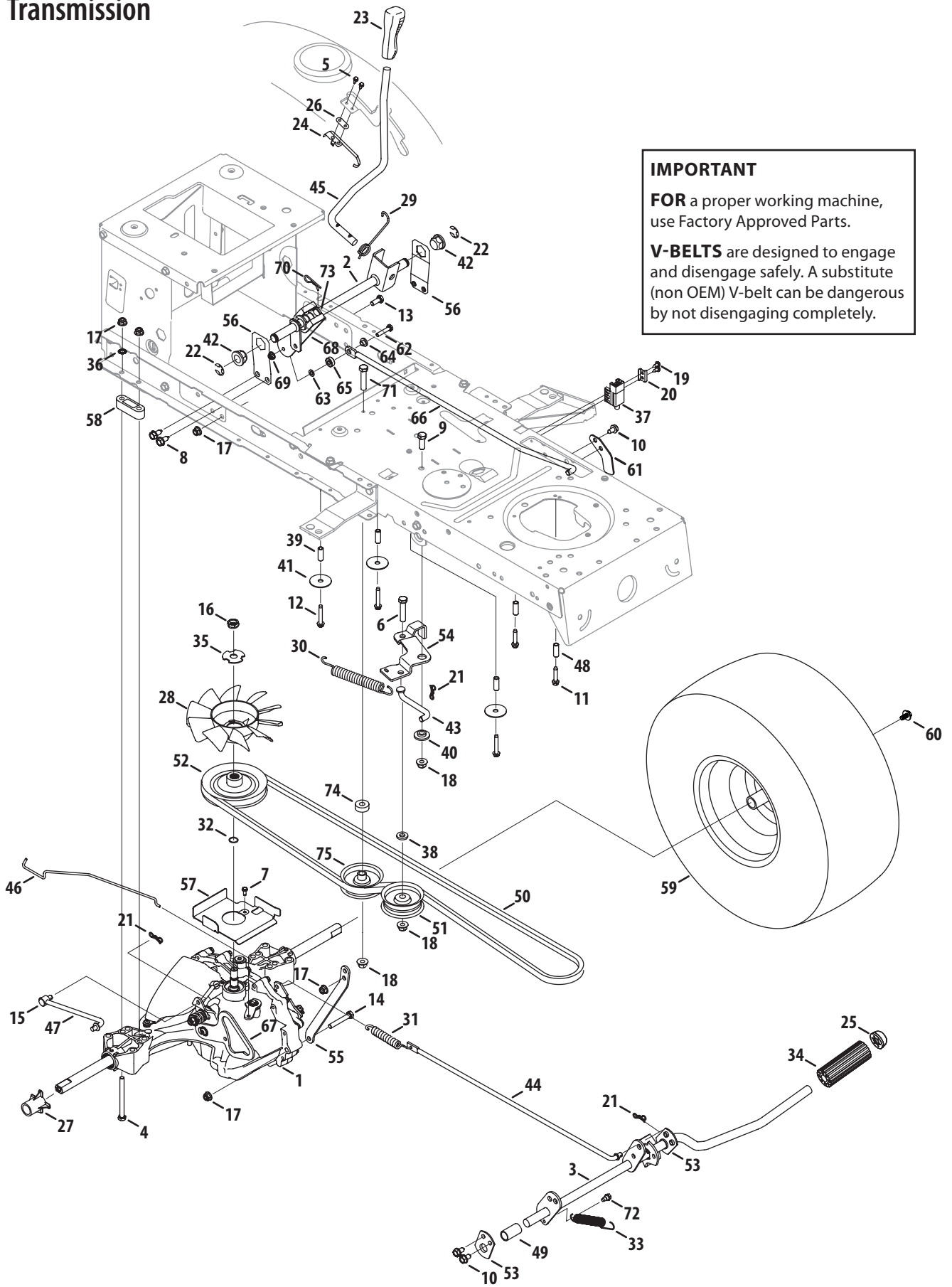


Front End Steering

Ref. No.	Part No.	Description	Ref. No.	Part No.	Description
1	617-04094	Front Steering Gear Assembly	23	736-04228A	Flat Washer, .781 x 1.590
2	710-0514	Hex Screw, 3/8-16 x 1.00	24	714-0162	Cotter Pin, 5/32 x 1.25
3	710-0643	Hex Screw, 5/16-18 x 1.00, Lock	25	683-0128B	Pivot Axle
4	710-1309	Machine Screw, 5/16-18 x .750	26	710-04484	Screw, 5/16-18 x .750
5	710-3180	Hex Screw, 5/16-18 x 1.75	27	712-04065	Flangelock Nut, 3/8-16
6	912-0240	Jam Nut, 7/16-20	28	914-0474	Cotter Pin, .125 x .75
7	912-0214	Jamlock Nut, 3/8-24	29	731-04693	Push Cap, Cast
8	712-04063	Flangelock Nut, 5/16-18	30	634-04086	Wheel Assembly, 42"
9	938-04013	42" & 46" Front RH Axle		634-05053	Wheel Assembly, 46"
10	923-0448A	Ball Joint, 7/16-20		634-04639	Wheel Assembly, 46"
11	736-0242	Bell Washer, .340 x .872 x .060	31	731-04040	Sprig Cap
12	938-04014A	42" & 46" Front LH Axle		731-04039	Cap, No Sprig
13	738-04141	Shoulder Bolt, 5/16-18 x .435 x .350	32	631-04028	Steering Wheel
14	738-0919A	Steering Shaft, 5/8 x 22.08	33	931-0484A	Hub Cap
15	941-04124	Flange Bearing, 5/8	34	738-04128	Shoulder Bolt, 3/8-16 x .500 x 2.38
16	919-04177A	Pivot Bar, Cast	35	747-04299A	Fixed Rod
17	747-05385	Steering Link	36	783-05326B	Pivot Bar Bracket
18	948-0389	Cap, 1.25 x .16	37	726-0341	Push Cap, 3/4
19	748-04065	Steering Block	38	731-04057A	Standard Axle Cap
20	748-04068	Spacer, .71 x .125 x .56	39	741-0660A	Flange Bearing, .760 x .941 x 1.0
21	726-04035	Push Nut 3/4 Dia.	40	936-0316	Washer, Flat, .78 x 1.59 x .60
22	738-04162C	Shoulder Spacer, .884 x .190			

NOTE: Tractor features vary by model. NOT all parts listed above and pictured on the previous page are standard equipment.

Transmission



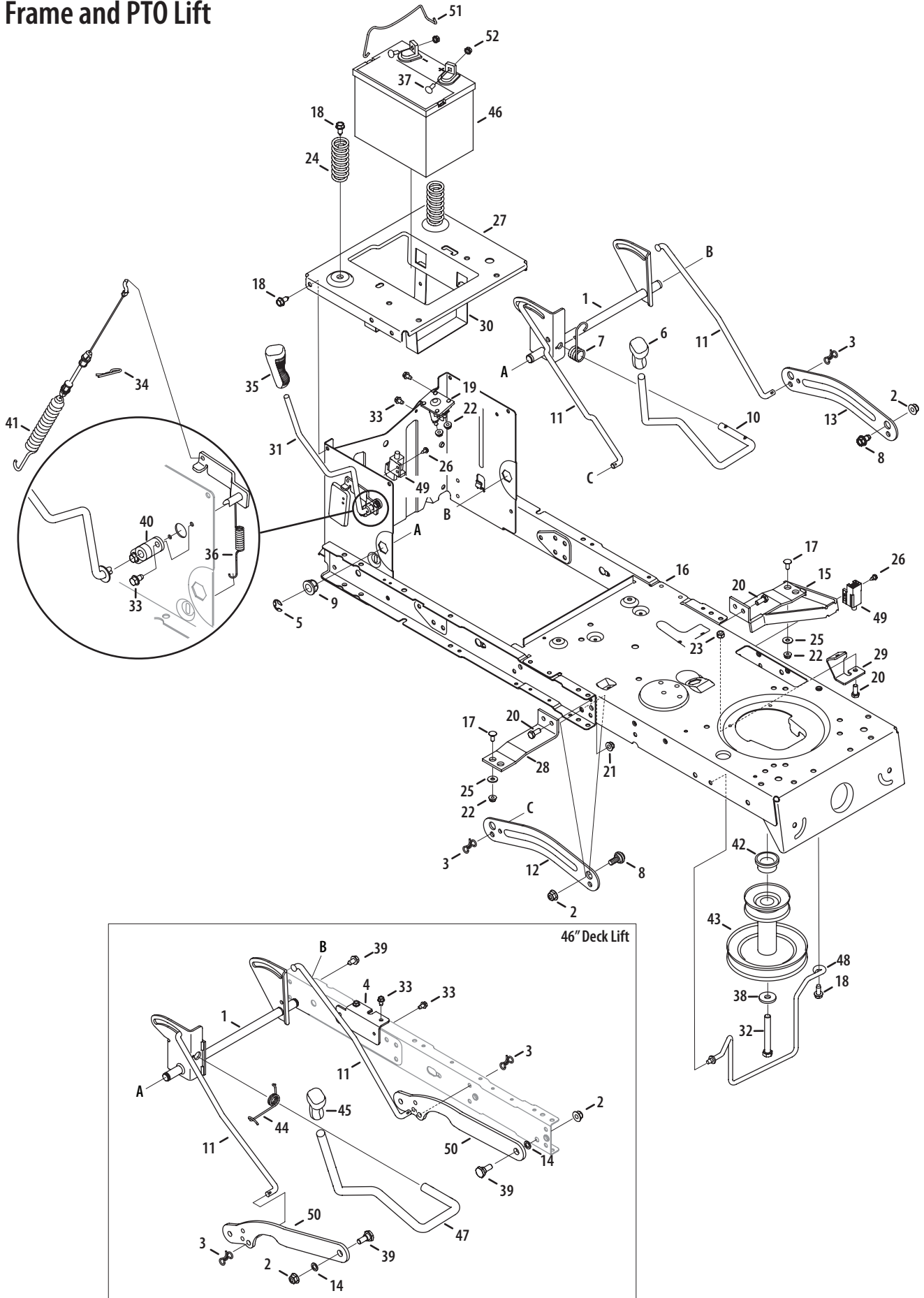
IMPORTANT
FOR a proper working machine, use Factory Approved Parts.
V-BELTS are designed to engage and disengage safely. A substitute (non OEM) V-belt can be dangerous by not disengaging completely.

Transmission

Ref. No.	Part No.	Description	Ref. No.	Part No.	Description
1	918-04892B	Hydro Transmission	40	738-04430	Shldr Spacer, 1.375 ID X .380 x 1.54
2	647-04200A	Hydro Handle Control Assembly	41	736-0430	Flat Washer, .350 x 1.59 x .062
3	647-04261A	Hydro Pedal Assembly	42	941-0225	Hex Flange Bearing
4	710-1266	Hex Screw, 5/16-18 x 3.5	43	747-05603	Declutching Rod
5	710-0227	Screw, #8-18:0.500	44	747-05242	Brake Rod
6	710-0347	Hex Screw, 3/8-16:1.75	45	747-04296A	Hydro Control Handle
7	910-0224	Screw, #10-16:0.500	46	747-05245	Hydro Bypass Rod
8	710-04484	Screw, 5/16-18:.750	47	747-04407A	Hydro Control Rod
9	710-0514	Hex Screw, 3/8-16:1.00	48	750-0566A	Spacer, .260 x .375 x 1.030 LG
10	710-0604A	Screw, 5/16-18:0.625	49	750-05593	Spacer, .640 ID X .76 OD X 1.60
11	710-0809	Screw, 1/4-20:1.250	50	954-04252	V Belt, 4L SEC X 84.17
12	710-1026	Screw, 1/4-20 x 1.75	51	756-04224	Flat Idler Pulley 2.75 OD
13	710-3008	Hex Screw, 5/16-18:.75	52	756-04308	Input Pulley
14	710-3103	Screw, 5/16-18 x 2.00	53	783-04536B	Support Pedal Bracket
15	711-04448	Ferrule, 5/16-24 X .312 DIA.	54	783-04570B	Idler Arm
16	912-0346	Jamlock Nut, 1/2-20	55	783-06551	Torque Bracket
17	712-04063	Flangelock Nut, 5/16-18	56	783-04585A	Handle Bracket
18	712-04065	Flangelock Nut, 3/8-16	57	783-06558	Belt Support Bracket
19	728-04021	Rivet	58	948-0334	Spacer, T-Axle
20	17962	Plate Switch	59	634-0104	Wheel, 20 x 8 x 8, 42" & 46" Deck
21	714-04040	Cotter Pin, Bow Tie		634-04324	Wheel, 20 x 8 x 8, 46" Deck
22	716-0106A	E Rign, .625 DIA	60	710-05339	Screw, 5/16-24 x .750
23	720-0311	Handle Grip	61	783-06807A	Stop Pedal Plate
24	725-04249	Hydro Spring Switch	62	710-0106	Hex Screw, 1/4-20 x 1.25
25	726-0214	Push Cap, 5/8	63	936-0142	Flat Washer, .281 x .500 x .063
26	926-0320	Insulator Plate Nut	64	738-04483	Shoulder Spacer, .375 x .625 x .20
27	731-08237	Sleeve, .765 ID X 2.11 LG	65	741-04280	Ball Bearing, .25 x .6875 x .25
28	731-06098	Hydro Fan	66	747-05598	Hydro Rod, RTN
29	732-04225	Torsion Spring	67	783-06750A	Cam Bracket, RTN
30	732-04229	Extension Spring, .75 DIA. X 6.02	68	783-06756	Pivot Bracket, RTN
31	732-0716D	Extension Spring, .59 OD X 4.00 LG	69	712-04064	Nut, Flange Lock, 1/4-20, GrF
32	732-0729	Wire Ring	70	914-0145	Click Pin, .092 x 1.64 LG
33	732-04587	Extension Spring, .63 DIA X 4.95 LG	71	710-3144	Hex Screw, 3/8-16 x 2.00
34	735-0239	Foot Pad, 4.0	72	738-04278	Shoulder Screw, 1/4-20 x 0.50
35	736-04263	Lock Washer, TRANS HYDRO	73	741-3065B	Hex Flange Bearing, .628 ID
36	736-0607	Lock Washer, 5/16 EXT TOOTH	74	750-3119	Spacer, .406 ID x 1.00 OD x .38
37	925-04039	Switch Interlock	75	756-04325	V Pulley 3.06 OD
38	736-3010	Flat Washer, .407X.812X.135:HT	—	725-04990	Harness, Jmpr, Hydro
39	750-04456	Spacer, .260 x .372 x 1.420			

NOTE: Tractor features vary by model. NOT all parts listed above and pictured on the previous page are standard equipment.

Frame and PTO Lift

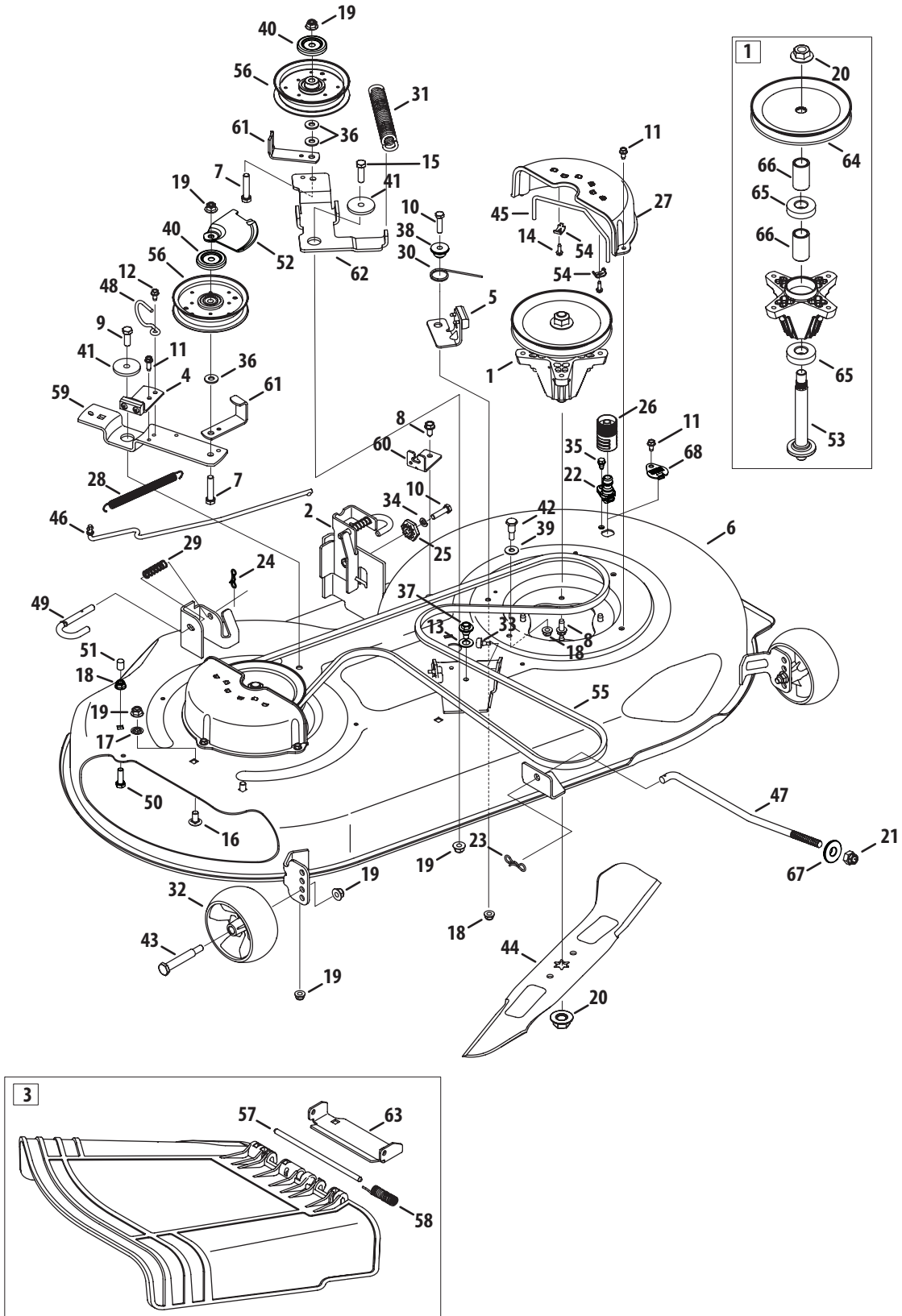


Frame and PTO Lift

Ref. No.	Part No.	Description	Ref. No.	Part No.	Description
1	683-04155A	Shaft Assembly Lift 42" Deck	27	783-04548D	Seat Bracket, Frame
	683-04334	Shaft Assembly Lift 46" Deck	28	783-04637	Bracket, Runing Board
2	712-04065	Nut, Flange Lock, 3/8-16, GrF	29	783-04753	Frame Support Bracket
3	714-04040	Pin, Cotter, Bow Tie	30	783-04869A	Bracket, Battery
4	783-05389A	Frame Brace Bracket	31	647-04096A	Handle Assembly, PTO
5	716-0106A	Ring, E-Type, .625 Dia.	32	710-3157A	Hex Screw, 7/16-20 x 3.25
6	720-0311	Grip, Handle, 1/2	33	710-0599	Screw, 1/4-20, 0.500
7	732-04225	Spring, Torsion 42" Deck	34	914-0145	Pin, Click, .092 x 1.64
8	738-04130	Screw, Shoulder, .625 x .175, 3/8-16	35	720-04049A	Grip, Handle, 3/8
9	941-0225	Bearing, Hex Flange	36	732-04276A	Spring, Extension
10	747-05296	Deck Handle, Lift, 42" Deck	37	710-04666	Screw, Carriage, 1/4-20, .75, Gr5
11	747-04393	Rod, Lift	38	736-0322	Washer, Flat, .450 x 1.250 x .164
12	783-04494C	Lift Arm, Deck - RH	39	938-0380	Bolt, Shldr. .500 x .270 3/8-16
13	783-04711C	Lift Arm, Deck - LH	40	741-04119A	Bearing, PTO
14	936-0140	Washer, Flat, .385 x .62 x .063	41	946-04173E	Cable, Deck Engagement
15	683-04195	Support Bracket Assembly	42	750-0956	Spacer, 1.010 x 1.400 x .825, 42" Deck
16	683-04649A	Frame Assembly	43	956-04067A	Engine Pulley
17	710-0134	Carriage Screw, 1/4-20 x .62	44	732-04438	Spring, Torsion 46" Deck
18	710-04484	Screw, 5/16-18, .750	45	720-0298	Grip, Handle, 5/8
19	725-04439	Solenoid	46	925-1707D	Battery, 155 CCA
20	710-3008	Hex Screw, 5/16-18 x .75	47	747-04653A	Deck Handle, Lift, 46" Deck
21	712-04063	Flange Lock Nut, 5/16-18	48	747-04857	Rod, Belt Keeper (42" Deck)
22	712-04064	Nut, Flange Lock, 1/4-20, GrF		683-04414	Rod, Belt Keeper (46" Deck)
23	912-0429	Hex Lock Nut, 5/16-18	49	725-04363	Switch, Interlock
24	732-04035	Spring, Compr. , 1.28 OD x 3.125	50	783-0678C	Deck Lift Link
25	736-0173	Flat Washer, .28 x .74 x .063	51	683-04448	Battery Hold Down Rod
26	738-04237A	Shoulder Screw, #10-32 x .500	52	712-0271	Nut, Sems, 1/4-20

NOTE: Tractor features vary by model. NOT all parts listed above and pictured on the previous page are standard equipment.

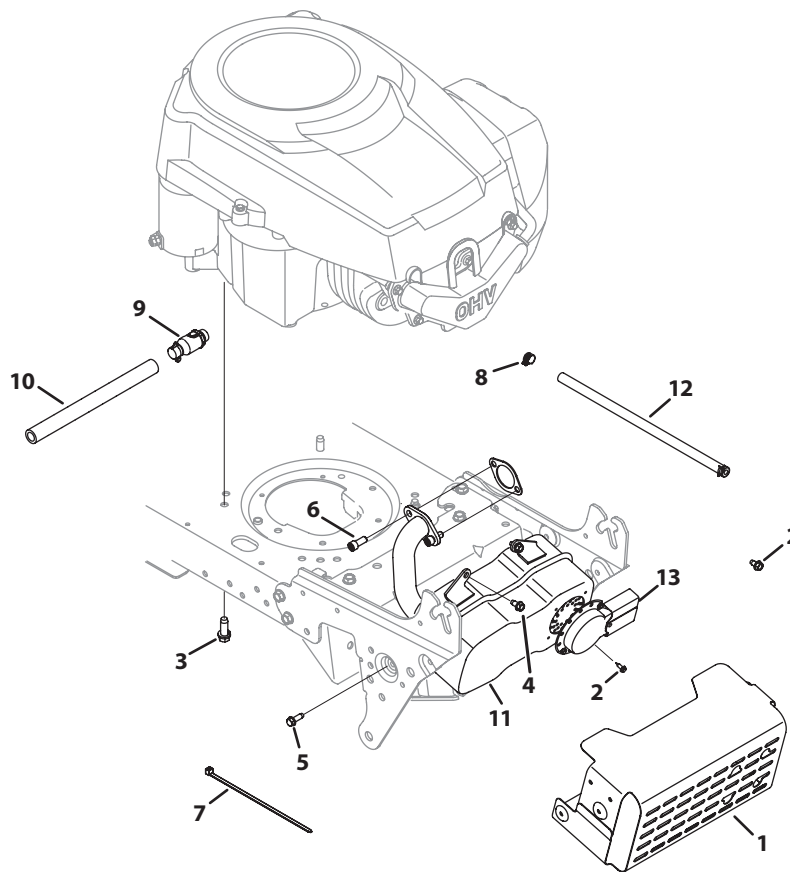
46" Deck



Ref.	Part Number	Description	Ref.	Part Number	Description
1.	918-04865A	Spindle Assembly, Pul 6.93 Dia	35.	738-04278	Shoulder Screw, 1/4-20 x 0.50
2.	683-0254B	Bracket Assembly, Deck Hanger, LH	36.	736-0262	Washer, Flat, .385 x .870 x .092
3.	631-04288	Chute Deflector Assembly	37.	738-04091A	Shoulder Spacer, .43 x .29, 5/16-18
4.	983-04511	Brake Assembly, Deck, 42/46	38.	748-04272	Shoulder Spacer, .50 x .145
5.	983-04525	Brake Assembly, Deck, 46"	39.	736-0371	Washer, Flat, .343 X .880 X .062
6.	683-04730A	Deck Assembly, 46t, 2w	40.	783-07236	Pulley Cap
7.	710-3144	Hex Screw, 3/8-16 x 2.00	41.	738-04162C	Shoulder Spacer, .8840 X .190
8.	710-04484	Screw, Self-tapping, 5/16-18, .750	42.	738-0754	Shoulder Screw, .437 Dia. X .54
9.	710-0514	Hex Screw, 3/8-16, 1.00, Gr5, Std	43.	938-3056	Bolt, Shoulder, .496 x 2.50, 3/8-16
10.	710-0528	Hex Screw, 5/16-18, 1.25, Gr5, Std	44.	942-04290	Blade, Cut, 23.25" 2-In-1, Econ
11.	710-0599	Screw, Self-tapping, 1/4-20, 0.500	45.	747-05011	Rod, Keeper, Belt
12.	710-0642	Screw, Self-tapping, 1/4-20, .750	46.	747-05052A	Rod, Control, Brake 46"
13.	936-0226	Washer, Flat, .474 x .879 x .064	47.	747-05141A	Rod, Lift, Deck, Medium
14.	710-1003	Screw, B, #10-16, 0.625	48.	747-05323	Rod, Keeper, Belt, 42s 46t
15.	710-3005	Hex Screw, 3/8-16 x 1.25	49.	747-1116	Rod, Deck Release
16.	710-3178	Bolt, Carriage, 3/8-16, 0.75, Gr1	50.	710-0376	Hex Cap Screw, 5/16-18 x 1.00
17.	712-0229	Nut, Push, 3/8	51.	720-05010	Cap, .290 x .500
18.	712-04063	Nut, Flange Lock, 5/16-18, Nylon	52.	783-07183A	Belt Guide
19.	712-04065	Nut, Flange Lock, 3/8-16, Nylon	53.	738-1186A	Spindle Shaft, 6.05 LG.
20.	712-0417A	Nut, Flange, 5/8-18	54.	751B221535	Clamp, Casing
21.	712-04243	Nut, Lock, 1/2-13	55.	954-04219	Belt, V-Typ, A Sec
22.	731-07487	Deck Wash Nozzle	56.	756-04129B	Pulley, Idler, 4.25" Dia
23.	714-04043	Bow-Tie Cotter Pin	57.	711-04847B	Hinge Pin
24.	714-04040	Bow-Tie Cotter Pin, 72	58.	732-04372	Torsion Spring
25.	917-04074	Gear, Deck Adjustment	59.	783-05946	Bracket, Idler, Pivot, 46
26.	921-04041	Water Nozzle Adapter	60.	783-06243	Bracket, Cable, Deck Engagement
27.	731-06496	Belt Cover, Universal	61.	783-06368A	Bracket, Guard, Belt, 4.25 Pulley
28.	932-0384	Spring, Extension, .62 x 6.12	62.	783-07234	Bracket, Idler, 46" Lh
29.	732-04652	Spring, Compression, .535 x 1.751	63.	783-06074A	Chute Bracket
30.	732-04840	Spring, Torsion, .992 I.D X 1.17 O.D	64.	756-04356	Deck Pulley, 6.93 DIA
31.	732-04909	Spring, Extension, 1.05 X 6.346	65.	941-0919A	Ball Bearing, .787ID X 1.85 ODX.551
32.	734-04155	Wheel, Deck, 5.0 Dia Ball	66.	750-04936	Spacer, .792 X 1.060 X 1.860 LG
33.	735-0271A	Bumper, .62 Dia X .3	67.	748-04069	Pivot Cup, Deck List
34.	936-0119	Washer, Lock, 5/16, Regular Duty	68.	783-06464†	Deck Wash Plug

† If Equipped

NOTE: Tractor features vary by model. NOT all parts listed above and pictured on the previous page are standard equipment.



Ref. No.	Part No.	Description
1	683-04549	Muffler Shield Assembly with Weld
2	710-0227	Screw, 8-18 x .500
3	710-04683A	Screw, 3/8-16 x 1.0
4	710-0599	Screw, 1/4-20 x .500
5	710-0642	Screw, 1/4-20 x .750
6	710-1314A	Socket Screw, 5/16-18 x .750
7	725-0157	Cable Tie
8	726-0205	Clamp Hose, .490 diameter
9	951-10517A	Oil Drain
10	751-3141-14	Oil Drain, Extension Hose
11	751-11943	Muffler
12	751-10349-28	Fuel Hose, Low Permeation
13	751-11053A	Muffler Deflector Long

NOTE: Tractor features vary by model. NOT all parts listed and pictured above are standard equipment.

Wiring Harness Schematic - 725-04432G

