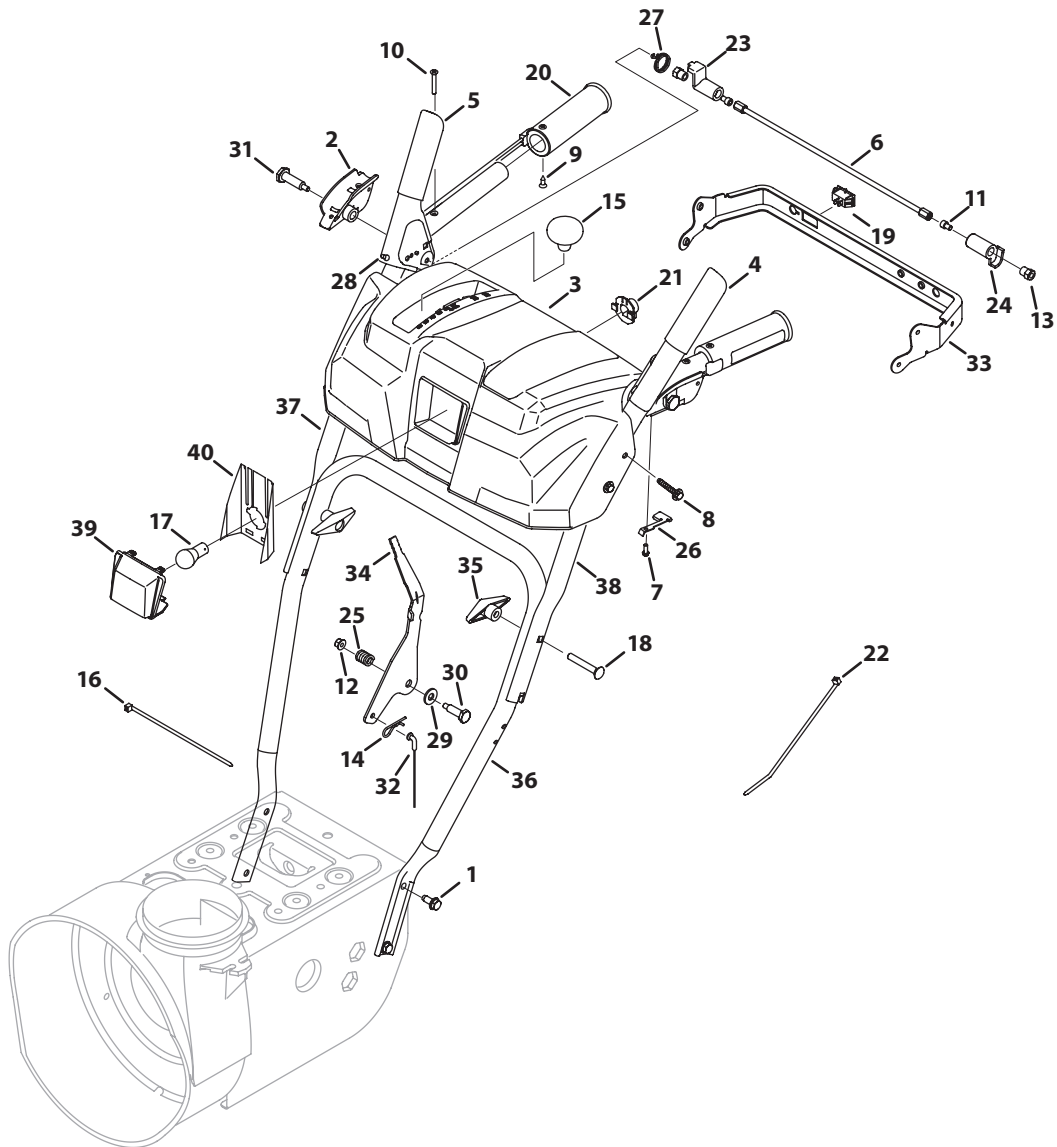


N/P/Q-Style Panel



N/P/Q-Style Panel

| Ref. | Part Number | Description |
|------|-------------|---------------------------------|
| 1 | 710-04484 | Screw, Taptite, 5/16-18 x .750 |
| 2 | 631-04134B | Clutch Lock, RH |
| — | 631-04133A | Clutch Lock, LH |
| 3 | 931-04181A | Handle Panel w/ Light |
| — | 731-05334B | Handle Panel w/o Light |
| 4 | 684-04105B | Auger Engage |
| 5 | 684-04106C | Drive Engage |
| 6 | 684-04250 | Pivot Rod |
| 7 | 710-04326 | Screw, Plastite, 8-16 x .50 |
| 8 | 710-04586 | Screw, Taptite, 1/4-20 x 1.625 |
| 9 | 710-0837 | Screw, 10-16 x 0.625 |
| 10 | 710-1233 | Screw, 10-24 x 1.375 |
| 11 | 710-3069 | Screw, 1/4-20 x .50 |
| 12 | 712-04064 | Nut, Flange Lock, 1/4-20 |
| 13 | 712-04081A | Nut, Hex, 1/4-20 |
| 14 | 914-0145 | Click Pin, .092 x 1.64 |
| 15 | 720-04039 | Shift Knob |
| 16 | 725-0157 | Cable Tie, 7" |
| 17 | 925-1629 | Lamp, 12.8V |
| 18 | 710-0572 | Screw, Carriage, 5/16-48 x 2.25 |
| 19 | 725-04393 | Heated Grip Switch |
| 20 | 725-05149 | Heated Grip |
| — | 720-0274 | Grip |

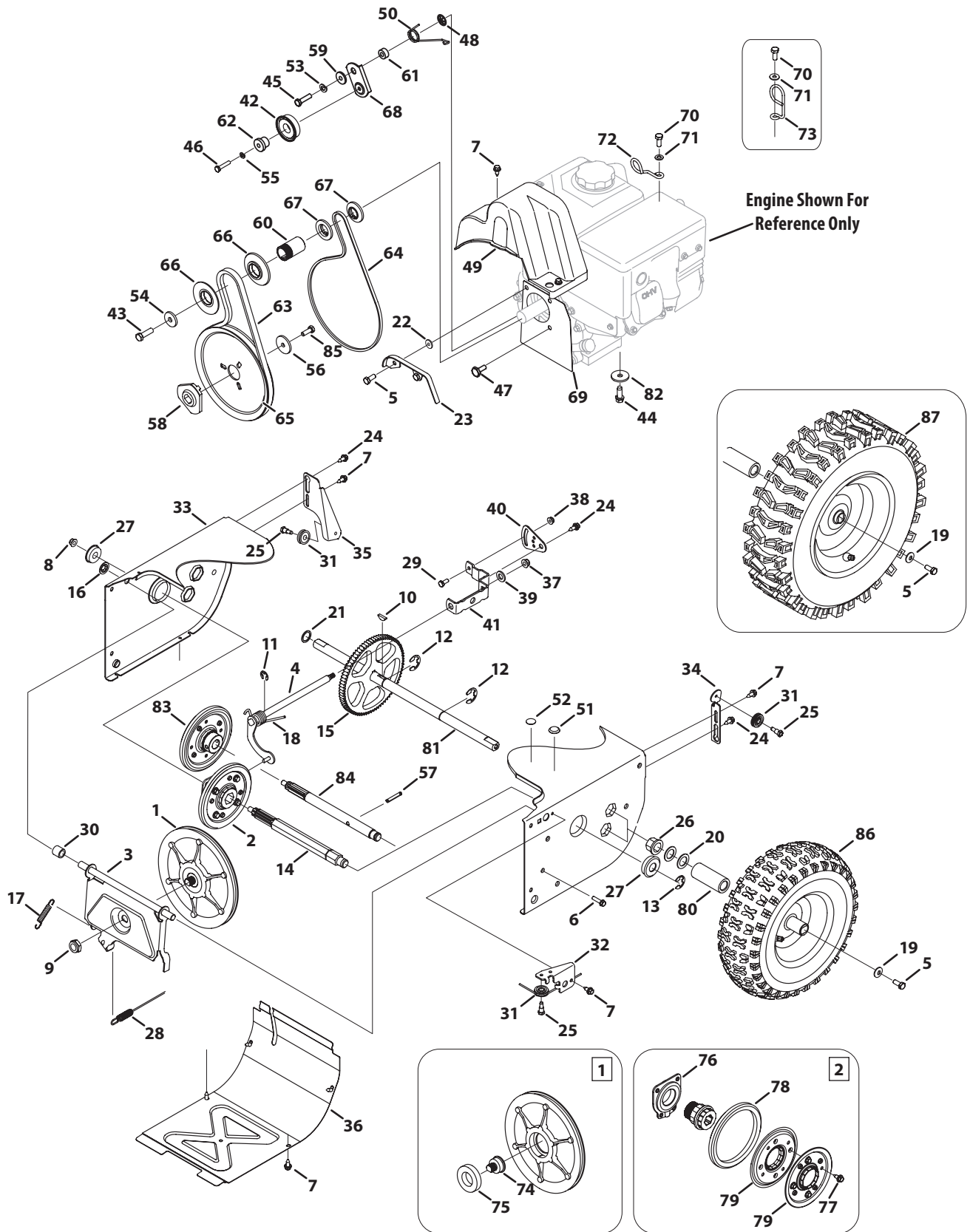
| Ref. | Part Number | Description |
|------|-------------|--|
| 21 | 925-1649 | Lamp Socket |
| 22 | 926-0154 | Cable Tie, Push Mount |
| 23 | 731-04894D | Plate, Lock |
| 24 | 731-04896B | Cam, Clutch Lock |
| 25 | 732-0193 | Compression Spring, .39 x .60 x .88 |
| 26 | 732-04219C | Clutch Lock Spring |
| 27 | 732-04238 | Torsion Spring, 0.8156 x .3038 |
| 28 | 935-0199A | Rubber Bumper |
| 29 | 936-0267 | Washer, Flat, .385 x .87 |
| 30 | 738-04125 | Screw, Shield, .374 x 1.05 |
| 31 | 738-04348 | Screw, Shoulder, .437 x 1.345 x 1/4-20 |
| 32 | 946-04396A | Speed Selector Cable |
| 33 | 790-00248C | Panel Bracket |
| 34 | 790-00311A | Shift Lever |
| 35 | 920-0284 | Wing Knob |
| 36 | 749-04138A | Lower Handle |
| 37 | 749-04190A | Upper RH Handle |
| 38 | 749-04191A | Upper LH Handle |
| 39 | 731-05319 | Lens Panel, Troy-Bilt |
| 40 | 777X41805 | Lens Label, Troy-Bilt |
| — | 729-04035 | Amp Connector, Not Shown |
| — | 925-04137 | Harness Assembly, Not Shown |
| — | 725-05148 | Heated Grips Harness, Not Shown |

Auger & Auger Housing

| Ref. | Part Number | Description |
|------|-------------|--------------------------------------|
| 1 | 731-2635 | Cleanout Tool Mount |
| 2 | 684-04057A | Impeller Assembly, 12" |
| 3 | 710-0347 | Hex Screw, 3/8-16 x 1.75 |
| 4 | 710-04484 | Hex Washer Screw, 5/16-18 x .750 |
| 5 | 710-0451 | Carriage Bolt, 5/16-18 x .750 |
| 6 | 712-04063 | Flange Lock Nut, 5/16-18 |
| 7 | 712-04065 | Flange Lock Nut, 3/8-16 |
| 8 | 714-04040 | Bow-Tie Cotter Pin |
| 9 | 725-0157 | Cable Tie, 3/16 x .05 x 7.4 |
| 10 | 926-04012 | Push Nut, .25 Dia. |
| 11 | 732-04460 | Extension Spring |
| 12 | 736-0174 | Wave Washer, .625 x .885 x .015 |
| 13 | 736-0242 | Bell Washer, .340 x .872 x .060 |
| 14 | 931-2643 | Chute Cleanout Tool |
| 15 | 738-0143 | Shoulder Bolt, .496 x .336 x 3/8-16 |
| 16 | 938-0281 | Shoulder Screw, .625 x .17 x 3/8-16 |
| 17 | 738-04124A | Shear Pin, .25 x 1.50 |
| 18 | 941-0245 | Hex Flange Bearing, .75 ID |
| 19 | 941-0309 | Ball Bearing, .75 ID x 1.85 OD |
| 20 | 756-04224 | Idler Pulley, 2.75 OD |
| 21 | 790-00075 | Bearing Housing, 1.85 ID |
| 22 | 790-00080B | Auger Idler Bracket |
| 23 | 929-0071A | Extension Cord (Electric Start Only) |
| 24 | 784-5580 | Skid Shoe |
| 25 | 790-00091 | Deluxe Skid Shoe |
| 26 | 710-0703 | Carriage Screw, 1/4-20 x .75 |
| 27 | 712-04064 | Flange Lock Nut, 1/4-20 |
| 28 | 731-04705D | Chute Adapter, 5" |
| — | 731-07525 | Chute Adapter, 5" (4-way) |
| — | 731-07117 | Chute Adapter, 5" (side crank) |
| 29 | 710-0276 | Carriage Screw, 5/16-18 x 1.00 |
| 30 | 936-0159 | Flat Washer, .349 x .879 x .063 |
| 31 | 941-0475 | Plastic Bushing, .380 ID |
| 32 | 784-5647 | Chute Crank Bracket |
| 33* | 731-04871 | Spacer, 1.250 x .75 ID x 3/16 LG |
| 34 | 710-04071 | Carriage Bolt, 5/16-18 x 1.00 |
| 35 | 918-04170B | Gearbox Assembly, 22" |
| — | 918-04171B | Gearbox Assembly, 24" |
| — | 918-04172B | Gearbox Assembly, 26" |
| — | 918-04173A | Gearbox Assembly, 28" |
| — | 918-04165A | Gearbox Assembly, 30" |
| 36 | 684-04107 | Spiral Assembly, LH |

| Ref. | Part Number | Description |
|------|-------------|---------------------------------------|
| 37 | 684-04108 | Spiral Assembly, RH |
| 38 | 684-04266 | Auger Housing Assembly, 22" |
| — | 684-04265 | Auger Housing Assembly, 24" |
| — | 684-04270 | Auger Housing Assembly, 24" (T-B) |
| — | 684-04264 | Auger Housing Assembly, 26" |
| — | 684-04271 | Auger Housing Assembly, 26" (T-B) |
| — | 684-04268 | Auger Housing Assembly, 28" |
| — | 684-04272 | Auger Housing Assembly, 28" (T-B) |
| — | 684-04267 | Auger Housing Assembly, 30" |
| 39 | 731-04870 | Spacer, 1.2500 x .75 ID x 1.00 |
| 40 | 736-0188 | Flat Washer, .76 x 1.49 x .06 |
| 41 | 741-0493A | Flange Bushing, .800 ID x .910 OD |
| 42 | 790-00087A | Bearing Housing, 1" |
| 43 | 790-00117 | Shave Plate, 22" |
| — | 790-00120 | Shave Plate, 24" |
| — | 790-00121 | Shave Plate, 26" |
| — | 790-00118 | Shave Plate, 28" |
| — | 790-00119 | Shave Plate, 30" |
| 44 | 918-0123A | Housing Assembly, RH |
| 45 | 918-0124A | Housing Assembly, LH |
| 46 | 710-0642 | Hex Washer Screw, 1/4-20 x .750 |
| 47 | 711-04286 | Auger Axle, 22" |
| — | 711-04285 | Auger Axle, 24" |
| — | 711-04284 | Auger Axle, 26" |
| — | 711-04283 | Auger Axle, 28" |
| — | 711-04282 | Auger Axle, 30" |
| 48 | 914-0161 | Hi-Pro Key |
| 49 | 715-04021 | Dowel Pin, .25 OD x 1.25 LG |
| 50 | 917-04126 | Worm Shaft, .75 OD |
| 51 | 917-04861 | Worm Gear 20 T, 22", 24" & 26" |
| — | 917-0528A | Worm Gear 20 T, 28" & 30" |
| 52 | 718-04071 | Thrust Collar, .756 ID x .600 |
| 53 | 721-0325 | Plug, 1/4 x .437 |
| 54 | 721-0327 | Oil Seal, .75 x 1.131 x .188 |
| 55 | 936-0351 | Flat Washer, .760 ID x 1.50 ID |
| 56 | 736-3084 | Flat Washer, .51 x 1.12 x .06 |
| 57 | 741-0662 | Flange Bearing, .75 ID x 1.0 OD x .59 |
| 58 | 741-0663 | Flange Bearing, .50 ID x .75 OD x .59 |
| 59 | 946-04230A | Auger Drive Cable |
| 60 | 936-0159 | Washer, Flat, .349 x .879 |
| 61 | 731-05984A | Slide Shoe, Poly |
| 62 | 710-0276 | Carriage Screw, 5/16-18 x 1.00 |

Drive System



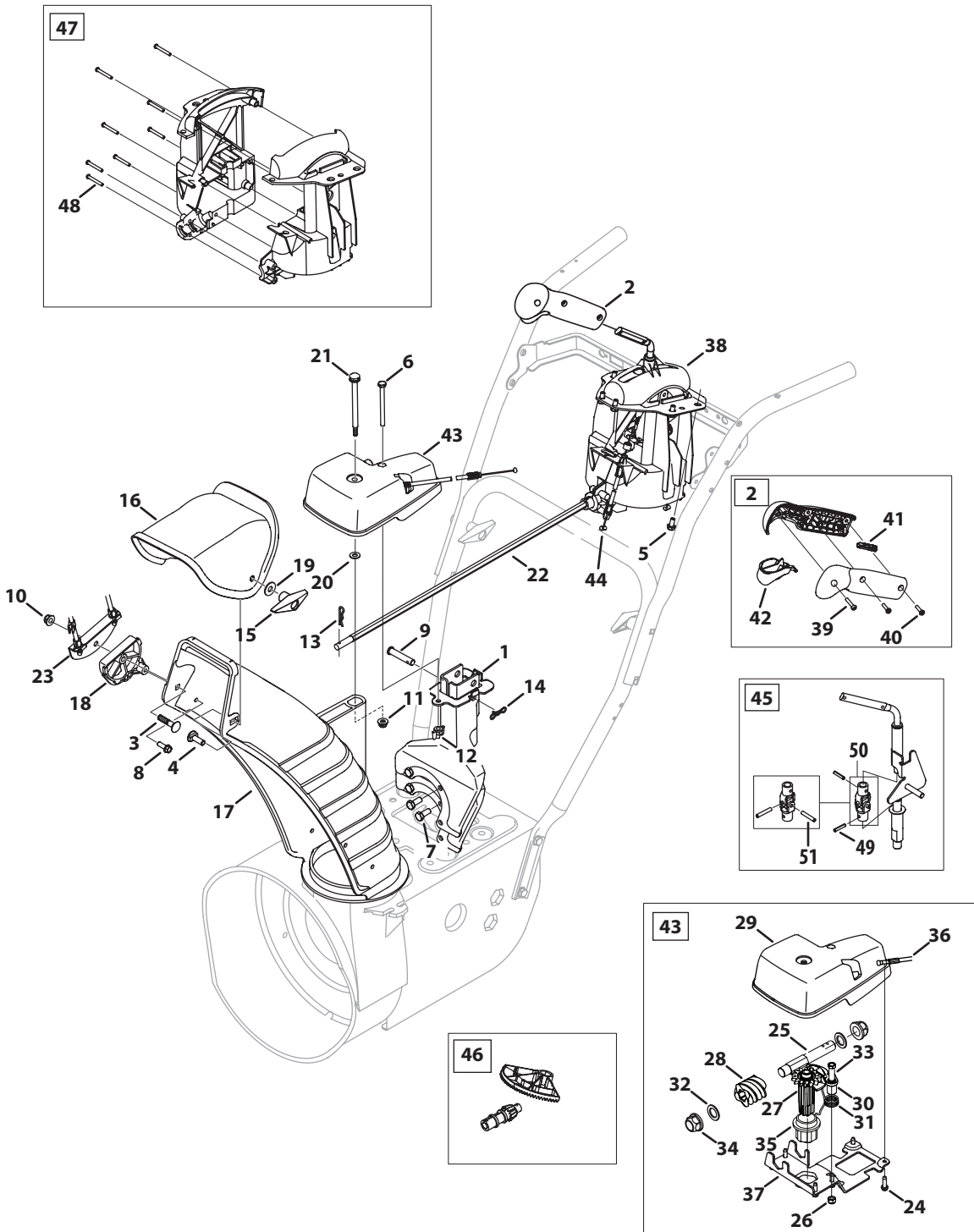
| Ref. | Part Number | Description | Ref. | Part Number | Description |
|------|-------------|-------------------------------------|------|-------------|-------------------------------------|
| 1 | 656-04055 | Disc Assembly, Friction Wheel | 40 | 790-00217A | Speed Selector Pivot Bracket |
| 2 | 684-04153 | Friction Wheel Assembly, 5.5 OD | 41 | 790-00218A | Speed Selector Shift Bracket |
| 3 | 684-04154B | Friction Wheel Support Bracket | 42 | 684-04169 | Idler Pulley Assembly |
| 4 | 684-04156A | Rod Shift Assembly | 43 | 710-0191 | Hex Screw, 3/8-24 x 1.25 |
| 5 | 710-0627 | Hex Head Screw, 5/16-24 x .750 | 44 | 710-0654A | Sems Screw, 3/8-16 x 1.00 |
| 6 | 710-0788 | Taptite Screw, 1/4-20 x 1.000 | 45 | 710-0672 | Hex Screw, 5/16-24 x 1.25 |
| 7 | 710-1652 | Taptite Screw, 1/4-20 x .625 | 46 | 710-0809 | Hex Screw, 1/4-20 x 1.25 |
| 8 | 712-04065 | Flange Lock Nut, 3/8-16 | 47 | 738-04439 | Shoulder Screw, 5/16-24 x .5 |
| 9 | 712-0417A | Flange Nut, 5/8-18 | 48 | 926-04012 | Push-on Nut, .25 Dia. |
| 10 | 914-0126 | Hi-pro Key, 3/16 x 3/4 Dia. | 49 | 731-06401 | Belt Cover, 4-Way Irg. block |
| 11 | 916-0104 | E-Ring | — | 731-05353 | Belt Cover, 4-Way |
| 12 | 716-0136 | Retaining E-Ring, .875 Dia. | — | 731-04792A | Belt Cover, Standard |
| 13 | 916-0231 | E-Ring, .750 Dia. | 50 | 732-04308A | Torsion Spring, .850 ID x .333 |
| 14 | 917-04209A | Hex Shaft, 7-Tooth | 51 | 735-04099 | Plug, 3/8 ID |
| 15 | 917-04230 | Gear, 80-Tooth | 52 | 735-04100 | Plug, 1/2 ID |
| 16 | 726-0221 | Speed Nut, .500 | 53 | 936-0119 | Lock Washer, 5/16 |
| 17 | 932-0264 | Extension Spring | 54 | 736-0247 | Flat Washer, .406 x 1.25 x .157 |
| 18 | 732-04311A | Torsion Spring, .750 x .968 | 55 | 936-0329 | Washer, Lock, 1/4 |
| 19 | 736-0242 | Bell Washer, .340 x .872 x .060 | 56 | 736-0505 | Flat Washer, .34 x 1.50 x .150 |
| 20 | 936-0287 | Flat Washer, .793 x 1.24 x .060 | 57 | 715-04020 | Pin, Spirol, 2.5" |
| 21 | 736-04161 | Flat Washer, .75 x 1.00 x .060 | 58 | 748-04053A | Adapter Pulley, .75 Dia. |
| 22 | 936-0140 | Washer, Flat, .385 x .62 x .063 | 59 | 748-04112B | Shoulder Spacer, .3175 x .5 x .0975 |
| 23 | 731-07101 | Belt Cover | 60 | 750-04303 | Spacer, .875 ID x 1.185 OD |
| 24 | 738-04184A | Shoulder Screw, .368 x .113, 1/4-20 | 61 | 750-04477A | Spacer, .340 x .750 x .330 |
| 25 | 738-0924A | Shoulder Screw, 1/4-28, .340 x .355 | 62 | 750-04571 | Shoulder Space, .260 x .785 x .538 |
| 26 | 941-0245 | Hex Flange Bearing | 63 | 954-04195 | Auger Drive Belt, 4-Way Irg. block |
| 27 | 941-0563 | Ball Bearing, 17 x 40 x 12 | — | 954-04050 | Auger Drive Belt, Standard |
| 28 | 946-04229B | Wheel Clutch Cable, 44.95" | 64 | 954-04201A | Wheel Drive Belt, 4-Way Irg. block |
| 29 | 710-0751 | Hex Head Screw, 1/4-20 x .620 | — | 954-04260 | Wheel Drive Belt, Standard |
| 30 | 748-0190 | Spacer, .508 ID x .75 OD x .68 | 65 | 756-04109 | Auger Drive Pulley, 8.1 x .5 |
| 31 | 756-0625 | Cable Roller | 66 | 756-04113 | Pulley Half, 2.600 OD |
| 32 | 790-00096 | Auger Cable Front Guide Bracket | 67 | 756-04252 | Pulley Half, 3/8 x 1.716 OD |
| 33 | 790-00180A | Frame | 68 | 790-00208C | Wheel Drive Idler Bracket |
| 34 | 790-00206A | Auger Cable Guide Bracket | 69 | 790-00332 | Cover Plate, 4-Way Irg. block |
| 35 | 790-00207C | Drive Cable Guide Bracket | — | 790-00289A | Cover Plate, Standard |
| 36 | 790-00316 | Frame Cover | 70 | 710-04022 | Hex Head Screw, 1.25 x 20 |
| 37 | 712-04063 | Flange Lock Nut, 5/16-18 | 71 | 936-0264 | Washer, Flat, .330 x .630 x .0635 |
| 38 | 712-04064 | Flange Lock Nut, 1/4-20 | 72 | 732-04677 | Cable Guide |
| 39 | 936-3015 | Washer, Flat, .469 x .875 x .105 | 73 | 732-0705 | Cable Guide |

Cont'd on next page

Drive System

| Ref. | Part Number | Description |
|------|-----------------|------------------------------------|
| 74 | 738-04164A | Friction Disc Bearing Pin |
| 75 | 741-04098 | Ball Bearing, 30 x 55 x 13 |
| 76 | 618-0063A | Bearing Assembly |
| 77 | 710-0896 | Screw, 1/4-14 x .625 |
| 78 | 935-04054 | Friction Wheel Rubber |
| 79 | 790-00174 | Friction Wheel Plate |
| 80 | 731-04873 | Spacer, 1.25 x .75 x 3.0 |
| 81 | 938-04168 | Axle, .75 x 22 |
| 82 | 736-0320 | Washer, Flat, .38 x 1.38 x .125 |
| 83 | 684-04360 | Friction Wheel Ass'y, Single-Speed |
| 84 | 917-04793 | Shaft, Single-Speed |
| 85 | 710-1245B | Hex Cap Screw, 5/16-24 x .875 |
| 86 | 634-04144A-0911 | Snow Hog Wheel, 13 x 4 x 6 |
| — | 634-04142A-0911 | Snow Hog Wheel, 15 x 5 x 6 |
| — | 634-04141-0911 | Snow Hog Wheel, 15 x 4.8 |
| 87 | 634-04167A-0911 | X-Trac Wheel, 13 x 4 x 6, LH |
| — | 634-04168A-0911 | X-Trac Wheel, 13 x 4 x 6, RH |
| — | 634-04147A-0911 | X-Trac Wheel, 15 x 5 x 6, LH |
| — | 634-04148A-0911 | X-Trac Wheel, 15 x 5 x 6, RH |
| — | 634-04145-0911 | X-Trac Wheel, 16 x 4.8 x 8, LH |
| — | 634-04146-0911 | X-Trac Wheel, 16 x 4.8 x 8, RH |
| — | 634-04136-0911 | X-Trac Wheel, 16 x 6.5 x 8, RH |
| — | 634-04137-0911 | X-Trac Wheel, 16 x 6.5 x 8, LH |

2-Way & 4-Way Extended Chute



2-Way & 4-Way Extended Chute

| Ref. | Part Number | Description | Ref. | Part Number | Description |
|------|-------------|---------------------------------------|------|-------------|-------------------------------------|
| 1 | 684-04310A | Chute Support Bracket (lrg. block) | 26 | 712-0896 | Hexlock Nut, 1/4-28 |
| — | 684-04311A | Chute Support Bracket (small block) | 27 | 717-04667 | Gear, 14 T |
| 2 | 753-06151 | Chute Control, 4-Way | 28 | 717-04672 | Worm |
| — | 753-06154 | Chute Control, 2-Way | 29 | 731-06906 | Gear Cover |
| 3 | 710-0262 | Bolt, Carriage, 5/16-18 x 1.50, 4-Way | 30 | 731-06943A | Pawl Lock |
| — | 710-0451 | Bolt, Carriage, 5/16-18 x .750, 2-Way | 31 | 732-04638C | Torsion Spring, .721 ID x .474 |
| 4 | 710-04071 | Bolt, Carrier, 5/16-18 x 1.00 | 32 | 736-0290 | Washer, Flat, .625 x 1.0 x .067 |
| 5 | 710-04187 | Screw, Hi-Lo, 1/4-15 x 0.50 | 33 | 738-04391 | Screw, Shoulder, .34 x .95 x 1/4-28 |
| 6 | 710-04370 | Hex Head Screw, 1/4-20 x 3.00 | 34 | 941-0225 | Hex Bearing |
| 7 | 710-0627 | Hex Head Screw, 5/16-24 x .750 | 35 | 741-04388A | Flange Bearing |
| 8 | 710-0895 | Screw, Hi-Lo, 1/4-15 x 0.750 | 36 | 946-04619B | Cable Lock |
| 9 | 711-04469A | Clevis Pin, 3/8 x 1.87 | 37 | 790-00342B | Gear Bracket |
| 10 | 712-04063 | Nut, Flange Lock, 5/16-18 | 38 | 984-04338A | Chute Control, 4-Way |
| 11 | 712-04064 | Nut, Flange Lock, 1/4-20 | — | 984-04348 | Chute Control, 2-Way |
| 12 | 712-3087 | Wing Nut, 1/4-20 | 39 | 710-04353 | Screw, #8 x 1.00 |
| 13 | 914-0101 | Internal Cotter Pin | 40 | 710-04879 | Screw, 8-32 x .750 |
| 14 | 714-04040 | Bow-Tie Cotter Pin | 41 | 731-04893A | Joystick Plug |
| 15 | 920-0284 | Wing Knob, 5/16-18 | 42 | 731-07031 | Joystick Trigger |
| 16 | 731-04427A | Chute, Upper, 4-Way | 43 | 918-04801A | Chute Rotation Gearbox |
| — | 731-04426A | Chute, Upper, 2-Way | 44 | 946-04528A | 4-Way Cable |
| 17 | 731-06440A | Chute, Lower | | 946-04477† | 4-Way Cable w/Clip |
| 18 | 731-06451 | Cable Guide, Chute Tilt | 45 | 984-04324A | Shift Assembly |
| 19 | 936-0159 | Washer, Flat, .349 x .879 | 46 | 753-06152 | Gear Set Assembly |
| 20 | 736-04446 | Washer, Flat, .25 x .630 | 47 | 753-06153 | Handle Housing Assembly |
| 21 | 738-04367 | Screw, Shoulder, .312 x 3.5 x 1/4-20 | 48 | 710-1256 | Screw, #8-18 x 1.250 |
| 22 | 747-05116 | Chute Rod, 3/8 Hex | 49 | 715-04095 | Pin, Roll |
| 23 | 784-5594 | Cable Bracket | 50 | 684-04350 | Block, Asm Joint |
| 24 | 710-04373A | Screw, 12-16 x .75 | 51 | 715-0150 | Pin, Roll |
| 25 | 711-05186 | Hex Shaft | | | |

† Not Shown