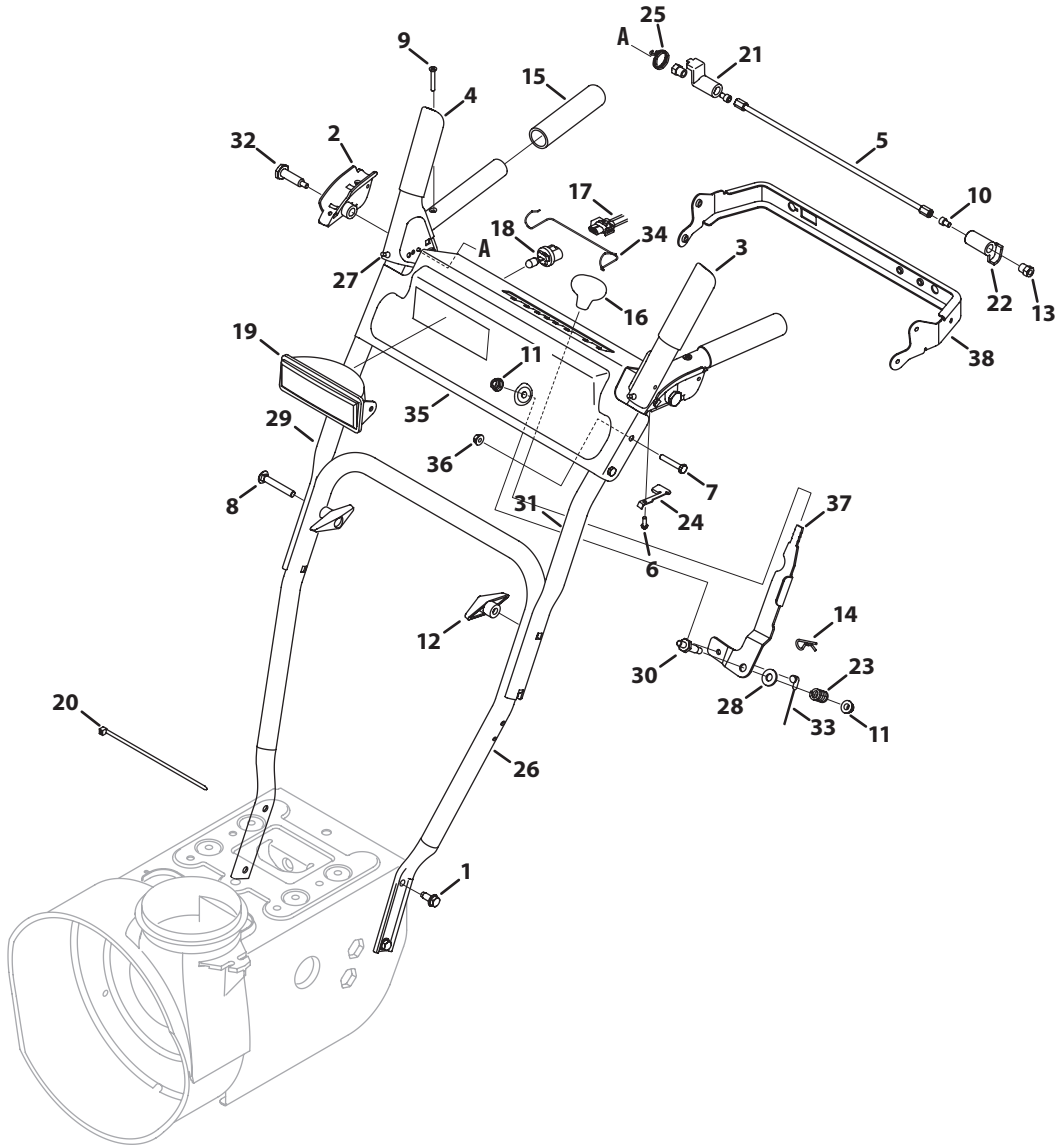


E/F-Style Panel



E/F-Style Panel

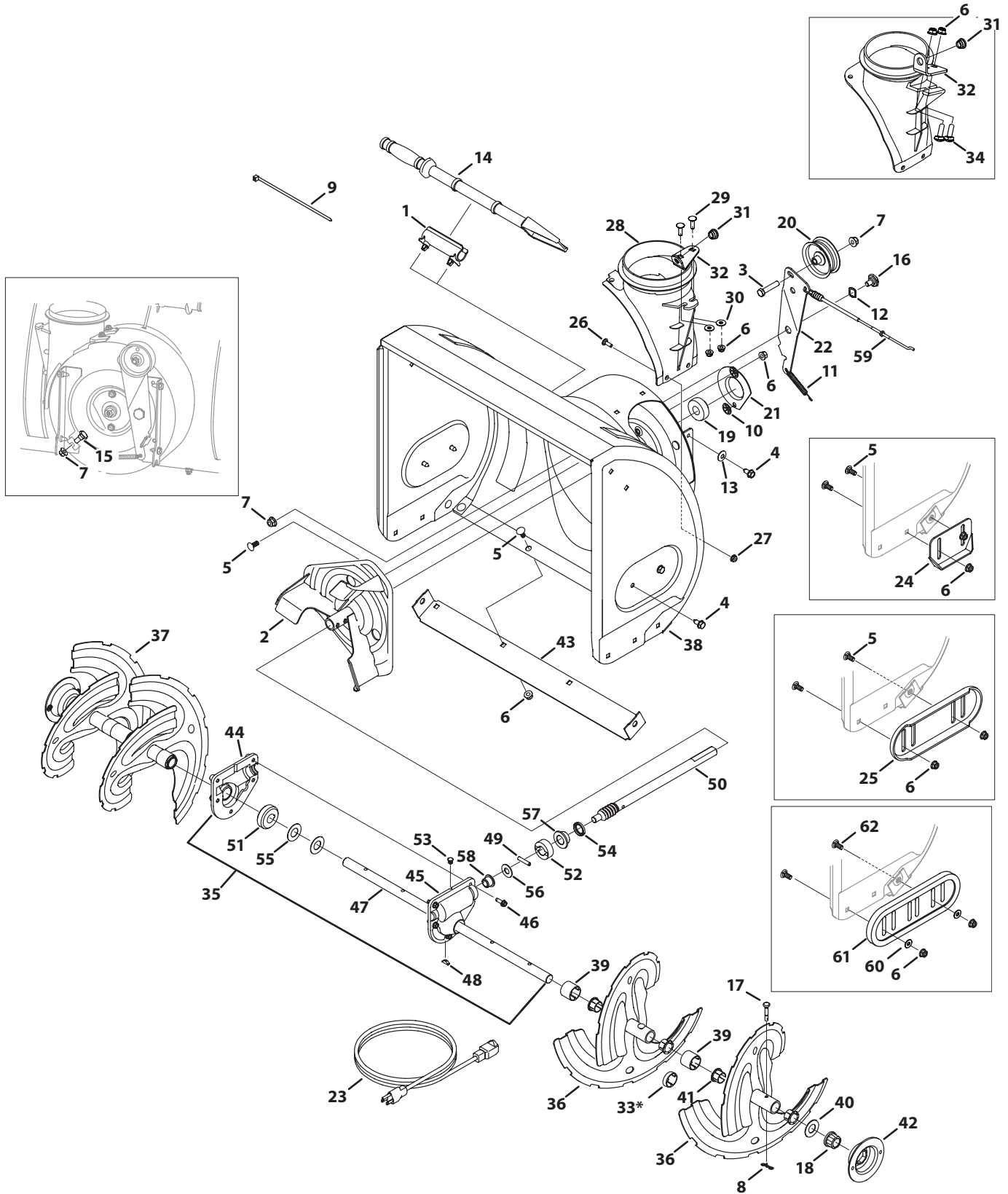
Ref.	Part Number	Description
1	710-04484	Taptite Screw, 5/16-18 x .750
2	631-04133A	Clutch Lock Handle Assembly, LH
—	631-04134B	Clutch Lock Handle Assembly, RH
3	684-04105B	Engagement Assembly, LH
4	684-04106C	Engagement Assembly, RH
5	684-04250	Clutch Pivot Lock Rod Assembly
6	710-04326	Hex Washer Screw, #8-16 x .50
7	710-04586	Hex Washer Screw, 1/4-20 x .625
—	710-0606	Hex Head Screw, 1/4-20 x 1.50 +
8	710-0572	Carriage Screw, 5/16-18 x 2.25
9	710-1233	Machine Screw, #10-24 x 1.375
10	710-3069	Socket Screw, 1/4-20 x .50
11	712-04063	Flange Lock Nut, 5/16-18
12	920-0284	Wing Knob
13	712-04081A	Hex Nut, 1/4-20
14	914-0145	Click Pin, .092 x 1.64
15	720-0274	Grip, 1.0 ID x 5.0 LG
16	720-04039	Shift Knob
17	725-05153	Snow Thrower Harness ^
18	925-1658	Halogen Lamp ^
19	925-1672	Lens/Lamp Assembly Housing ^

Ref.	Part Number	Description
20	926-0154	Cable Tie
21	731-04894D	Lock Plate
22	731-04896B	Clutch Lock Cam
23	732-0193	Compression Spring, .39 x .60 x .88
24	732-04219C	Clutch Lock Spring
25	732-04238	Torsion Spring, .8156 ID x .3038
26	749-04138A	Lower Handle
27	935-0199A	Rubber Bumper, .62 OD x .22 Thick
28	736-0262	Flat Washer, .385 x .870 x .092
29	749-04190A	Upper RH Handle
30	738-04118	Shoulder Bolt, 5/16-18 x .905
31	749-04191A	Upper LH Handle
32	738-04348	Shoulder Screw, .437 x 1.345 x 1/4-20
33	946-04397A	Speed Selector Cable
34	747-1136	Headlight Retainer ^
35	790-00209	Handle Panel w/ Light ^
—	790-00219	Handle Panel w/o Light
36	712-04064	Flange Lock Nut, 1/4-20 +
37	790-00313	Speed Shift Lever
38	790-00248C	Panel Bracket
—	729-04035	Amp Connector

+ Models without Clutch Lock

^ Models with Light

Auger & Auger Housing



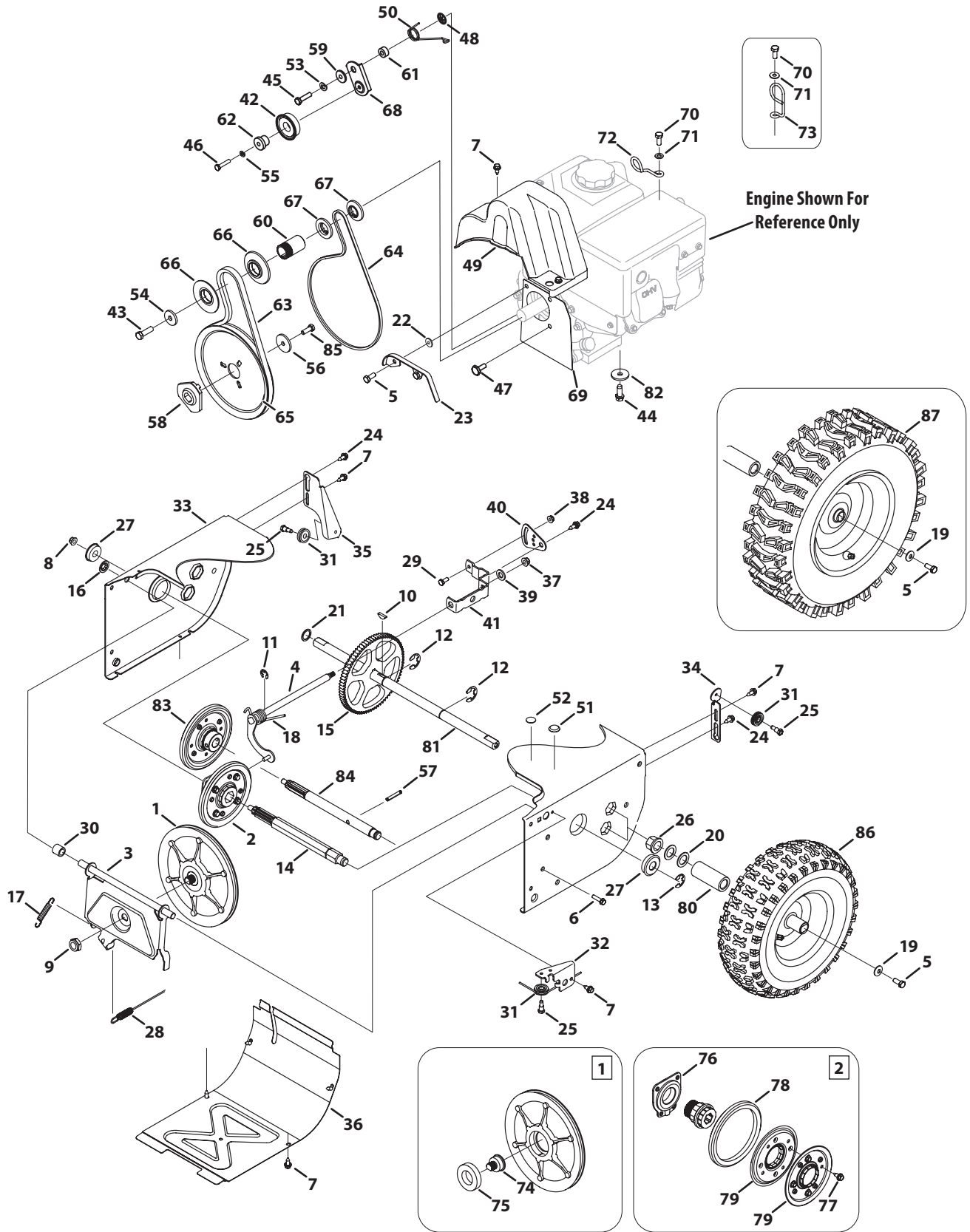
* 30" models only

Auger & Auger Housing

Ref.	Part Number	Description
1	731-2635	Cleanout Tool Mount
2	684-04057A	Impeller Assembly, 12"
3	710-0347	Hex Screw, 3/8-16 x 1.75
4	710-04484	Hex Washer Screw, 5/16-18 x .750
5	710-0451	Carriage Bolt, 5/16-18 x .750
6	712-04063	Flange Lock Nut, 5/16-18
7	712-04065	Flange Lock Nut, 3/8-16
8	714-04040	Bow-Tie Cotter Pin
9	725-0157	Cable Tie, 3/16 x .05 x 7.4
10	926-04012	Push Nut, .25 Dia.
11	732-04460	Extension Spring
12	736-0174	Wave Washer, .625 x .885 x .015
13	736-0242	Bell Washer, .340 x .872 x .060
14	931-2643	Chute Cleanout Tool
15	738-0143	Shoulder Bolt, .496 x .336 x 3/8-16
16	938-0281	Shoulder Screw, .625 x .17 x 3/8-16
17	738-04124A	Shear Pin, .25 x 1.50
18	941-0245	Hex Flange Bearing, .75 ID
19	941-0309	Ball Bearing, .75 ID x 1.85 OD
20	756-04224	Idler Pulley, 2.75 OD
21	790-00075	Bearing Housing, 1.85 ID
22	790-00080B	Auger Idler Bracket
23	929-0071A	Extension Cord (Electric Start Only)
24	784-5580	Skid Shoe
25	790-00091	Deluxe Skid Shoe
26	710-0703	Carriage Screw, 1/4-20 x .75
27	712-04064	Flange Lock Nut, 1/4-20
28	731-04705D	Chute Adapter, 5"
—	731-07525	Chute Adapter, 5" (4-way)
—	731-07117	Chute Adapter, 5" (side crank)
29	710-0276	Carriage Screw, 5/16-18 x 1.00
30	936-0159	Flat Washer, .349 x .879 x .063
31	941-0475	Plastic Bushing, .380 ID
32	784-5647	Chute Crank Bracket
33*	731-04871	Spacer, 1.250 x .75 ID x 3/16 LG
34	710-04071	Carriage Bolt, 5/16-18 x 1.00
35	918-04170B	Gearbox Assembly, 22"
—	918-04171B	Gearbox Assembly, 24"
—	918-04172B	Gearbox Assembly, 26"
—	918-04173A	Gearbox Assembly, 28"
—	918-04165A	Gearbox Assembly, 30"
36	684-04107	Spiral Assembly, LH

Ref.	Part Number	Description
37	684-04108	Spiral Assembly, RH
38	684-04266	Auger Housing Assembly, 22"
—	684-04265	Auger Housing Assembly, 24"
—	684-04270	Auger Housing Assembly, 24" (T-B)
—	684-04264	Auger Housing Assembly, 26"
—	684-04271	Auger Housing Assembly, 26" (T-B)
—	684-04268	Auger Housing Assembly, 28"
—	684-04272	Auger Housing Assembly, 28" (T-B)
—	684-04267	Auger Housing Assembly, 30"
39	731-04870	Spacer, 1.2500 x .75 ID x 1.00
40	736-0188	Flat Washer, .76 x 1.49 x .06
41	741-0493A	Flange Bushing, .800 ID x .910 OD
42	790-00087A	Bearing Housing, 1"
43	790-00117	Shave Plate, 22"
—	790-00120	Shave Plate, 24"
—	790-00121	Shave Plate, 26"
—	790-00118	Shave Plate, 28"
—	790-00119	Shave Plate, 30"
44	918-0123A	Housing Assembly, RH
45	918-0124A	Housing Assembly, LH
46	710-0642	Hex Washer Screw, 1/4-20 x .750
47	711-04286	Auger Axle, 22"
—	711-04285	Auger Axle, 24"
—	711-04284	Auger Axle, 26"
—	711-04283	Auger Axle, 28"
—	711-04282	Auger Axle, 30"
48	914-0161	Hi-Pro Key
49	715-04021	Dowel Pin, .25 OD x 1.25 LG
50	917-04126	Worm Shaft, .75 OD
51	917-04861	Worm Gear 20 T, 22", 24" & 26"
—	917-0528A	Worm Gear 20 T, 28" & 30"
52	718-04071	Thrust Collar, .756 ID x .600
53	721-0325	Plug, 1/4 x .437
54	721-0327	Oil Seal, .75 x 1.131 x .188
55	936-0351	Flat Washer, .760 ID x 1.50 ID
56	736-3084	Flat Washer, .51 x 1.12 x .06
57	741-0662	Flange Bearing, .75 ID x 1.0 OD x .59
58	741-0663	Flange Bearing, .50 ID x .75 OD x .59
59	946-04230A	Auger Drive Cable
60	936-0159	Washer, Flat, .349 x .879
61	731-05984A	Slide Shoe, Poly
62	710-0276	Carriage Screw, 5/16-18 x 1.00

Drive System



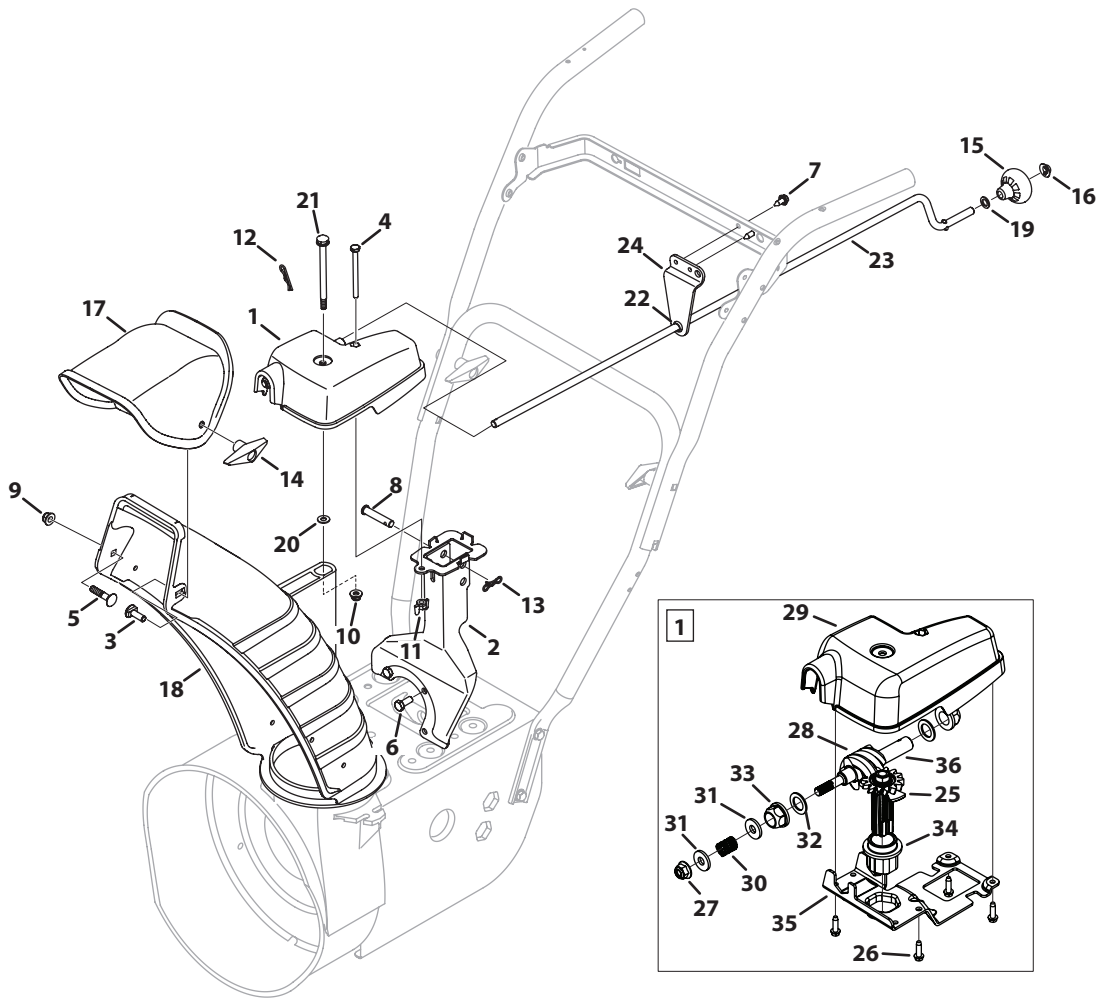
Ref.	Part Number	Description	Ref.	Part Number	Description
1	656-04055	Disc Assembly, Friction Wheel	40	790-00217A	Speed Selector Pivot Bracket
2	684-04153	Friction Wheel Assembly, 5.5 OD	41	790-00218A	Speed Selector Shift Bracket
3	684-04154B	Friction Wheel Support Bracket	42	684-04169	Idler Pulley Assembly
4	684-04156A	Rod Shift Assembly	43	710-0191	Hex Screw, 3/8-24 x 1.25
5	710-0627	Hex Head Screw, 5/16-24 x .750	44	710-0654A	Sems Screw, 3/8-16 x 1.00
6	710-0788	Taptite Screw, 1/4-20 x 1.000	45	710-0672	Hex Screw, 5/16-24 x 1.25
7	710-1652	Taptite Screw, 1/4-20 x .625	46	710-0809	Hex Screw, 1/4-20 x 1.25
8	712-04065	Flange Lock Nut, 3/8-16	47	738-04439	Shoulder Screw, 5/16-24 x .5
9	712-0417A	Flange Nut, 5/8-18	48	926-04012	Push-on Nut, .25 Dia.
10	914-0126	Hi-pro Key, 3/16 x 3/4 Dia.	49	731-06401	Belt Cover, 4-Way Irg. block
11	916-0104	E-Ring	—	731-05353	Belt Cover, 4-Way
12	716-0136	Retaining E-Ring, .875 Dia.	—	731-04792A	Belt Cover, Standard
13	916-0231	E-Ring, .750 Dia.	50	732-04308A	Torsion Spring, .850 ID x .333
14	917-04209A	Hex Shaft, 7-Tooth	51	735-04099	Plug, 3/8 ID
15	917-04230	Gear, 80-Tooth	52	735-04100	Plug, 1/2 ID
16	726-0221	Speed Nut, .500	53	936-0119	Lock Washer, 5/16
17	932-0264	Extension Spring	54	736-0247	Flat Washer, .406 x 1.25 x .157
18	732-04311A	Torsion Spring, .750 x .968	55	936-0329	Washer, Lock, 1/4
19	736-0242	Bell Washer, .340 x .872 x .060	56	736-0505	Flat Washer, .34 x 1.50 x .150
20	936-0287	Flat Washer, .793 x 1.24 x .060	57	715-04020	Pin, Spirol, 2.5"
21	736-04161	Flat Washer, .75 x 1.00 x .060	58	748-04053A	Adapter Pulley, .75 Dia.
22	936-0140	Washer, Flat, .385 x .62 x .063	59	748-04112B	Shoulder Spacer, .3175 x .5 x .0975
23	731-07101	Belt Cover	60	750-04303	Spacer, .875 ID x 1.185 OD
24	738-04184A	Shoulder Screw, .368 x .113, 1/4-20	61	750-04477A	Spacer, .340 x .750 x .330
25	738-0924A	Shoulder Screw, 1/4-28, .340 x .355	62	750-04571	Shoulder Space, .260 x .785 x .538
26	941-0245	Hex Flange Bearing	63	954-04195	Auger Drive Belt, 4-Way Irg. block
27	941-0563	Ball Bearing, 17 x 40 x 12	—	954-04050	Auger Drive Belt, Standard
28	946-04229B	Wheel Clutch Cable, 44.95"	64	954-04201A	Wheel Drive Belt, 4-Way Irg. block
29	710-0751	Hex Head Screw, 1/4-20 x .620	—	954-04260	Wheel Drive Belt, Standard
30	748-0190	Spacer, .508 ID x .75 OD x .68	65	756-04109	Auger Drive Pulley, 8.1 x .5
31	756-0625	Cable Roller	66	756-04113	Pulley Half, 2.600 OD
32	790-00096	Auger Cable Front Guide Bracket	67	756-04252	Pulley Half, 3/8 x 1.716 OD
33	790-00180A	Frame	68	790-00208C	Wheel Drive Idler Bracket
34	790-00206A	Auger Cable Guide Bracket	69	790-00332	Cover Plate, 4-Way Irg. block
35	790-00207C	Drive Cable Guide Bracket	—	790-00289A	Cover Plate, Standard
36	790-00316	Frame Cover	70	710-04022	Hex Head Screw, 1.25 x 20
37	712-04063	Flange Lock Nut, 5/16-18	71	936-0264	Washer, Flat, .330 x .630 x .0635
38	712-04064	Flange Lock Nut, 1/4-20	72	732-04677	Cable Guide
39	936-3015	Washer, Flat, .469 x .875 x .105	73	732-0705	Cable Guide

Cont'd on next page

Drive System

Ref.	Part Number	Description
74	738-04164A	Friction Disc Bearing Pin
75	741-04098	Ball Bearing, 30 x 55 x 13
76	618-0063A	Bearing Assembly
77	710-0896	Screw, 1/4-14 x .625
78	935-04054	Friction Wheel Rubber
79	790-00174	Friction Wheel Plate
80	731-04873	Spacer, 1.25 x .75 x 3.0
81	938-04168	Axle, .75 x 22
82	736-0320	Washer, Flat, .38 x 1.38 x .125
83	684-04360	Friction Wheel Ass'y, Single-Speed
84	917-04793	Shaft, Single-Speed
85	710-1245B	Hex Cap Screw, 5/16-24 x .875
86	634-04144A-0911	Snow Hog Wheel, 13 x 4 x 6
—	634-04142A-0911	Snow Hog Wheel, 15 x 5 x 6
—	634-04141-0911	Snow Hog Wheel, 15 x 4.8
87	634-04167A-0911	X-Trac Wheel, 13 x 4 x 6, LH
—	634-04168A-0911	X-Trac Wheel, 13 x 4 x 6, RH
—	634-04147A-0911	X-Trac Wheel, 15 x 5 x 6, LH
—	634-04148A-0911	X-Trac Wheel, 15 x 5 x 6, RH
—	634-04145-0911	X-Trac Wheel, 16 x 4.8 x 8, LH
—	634-04146-0911	X-Trac Wheel, 16 x 4.8 x 8, RH
—	634-04136-0911	X-Trac Wheel, 16 x 6.5 x 8, RH
—	634-04137-0911	X-Trac Wheel, 16 x 6.5 x 8, LH

Extended Chute (Crank)



Extended Chute (Crank)

Ref.	Part Number	Description
1	918-04933	Chute Rotation Gear Box
2	684-04310A	Chute Support Bracket (lrg. block)
—	684-04311A	Chute Support Bracket (small block)
3	710-04071	Carriage Bolt, 5/16-18 x 1.00
4	710-04370	Hex Screw, 1/4-20 x 3.00
5	710-0451	Carriage Bolt, 5/16-18 x .750
6	710-0627	Hex Lock Screw, 5/16-24 x .750
7	710-1652	Hex Washer Screw, 1/4-20 x .625
8	711-04469A	Clevis Pin, 3/8-1.87
9	712-04063	Flange Lock Nut, 5/16-18
10	712-04064	Flange Lock Nut, 1/4-20
11	712-3087	Wing Nut, 1/4-20
12	914-0101	Cotter Pin, .08 x 1.42
13	714-04040	Bow-tie Cotter Pin
14	920-0284	Wing Knob, 5/16-18
15	720-04102	Shift Knob, .390
16	926-0100	Push Cap, 3/8
17	731-04426A	Upper Chute
18	731-06440A	Lower Chute, 5.0
19	936-0185	Flat Washer, .375 x .738 x .063
20	736-04446	Flaw Washer, .25 x .630 x .0515
21	738-04367	Shoulder Screw, .312 x 3.5 x 1/4-20
22	941-0475	Plastic Bushing, .380 ID
23	747-05386	Chute Crank
24	790-00341	Support Rod Bracket
25	717-04667	Gear Assembly
26	710-04373A	Screw, 12-16 x .75
27	712-04065	Flange Lock Nut, 3/8-16
28	717-04672	Worm
29	731-07529A	Gear Cover
30	732-04756	Compression Spring, .39 x .60 x .88
31	736-3072	Flat Washer, .380 x .93 x .110
32	736-0290	Flat Washer, .625 x 1.0 x .067
33	941-0225	Hex Bearing
34	741-04388A	Flange Bearing
35	790-00342B	Gear Bracket
36	711-05329	Worm Shaft