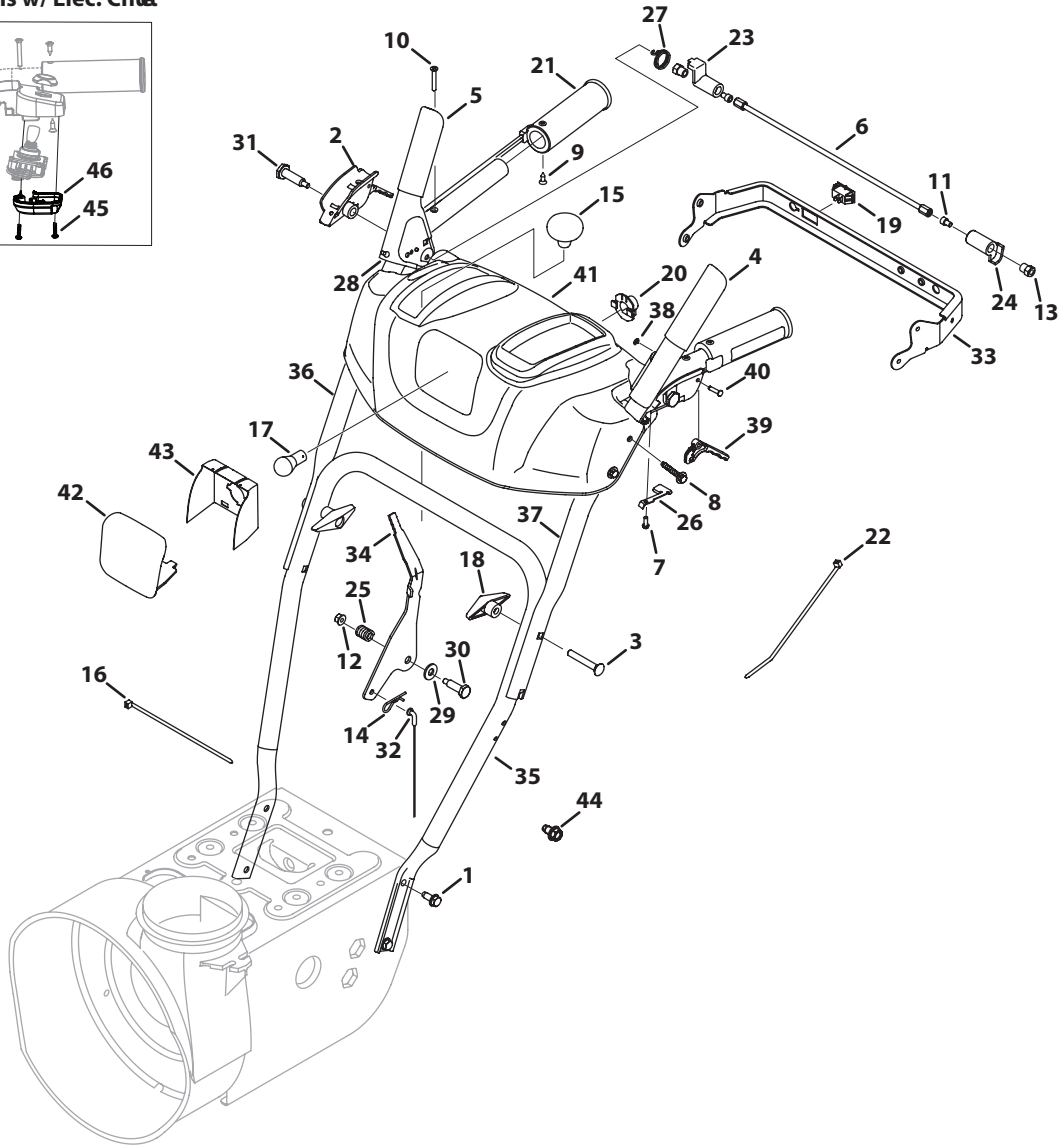
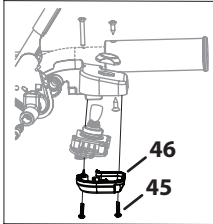


Handle & Frame

Models w/ Elec. Chut



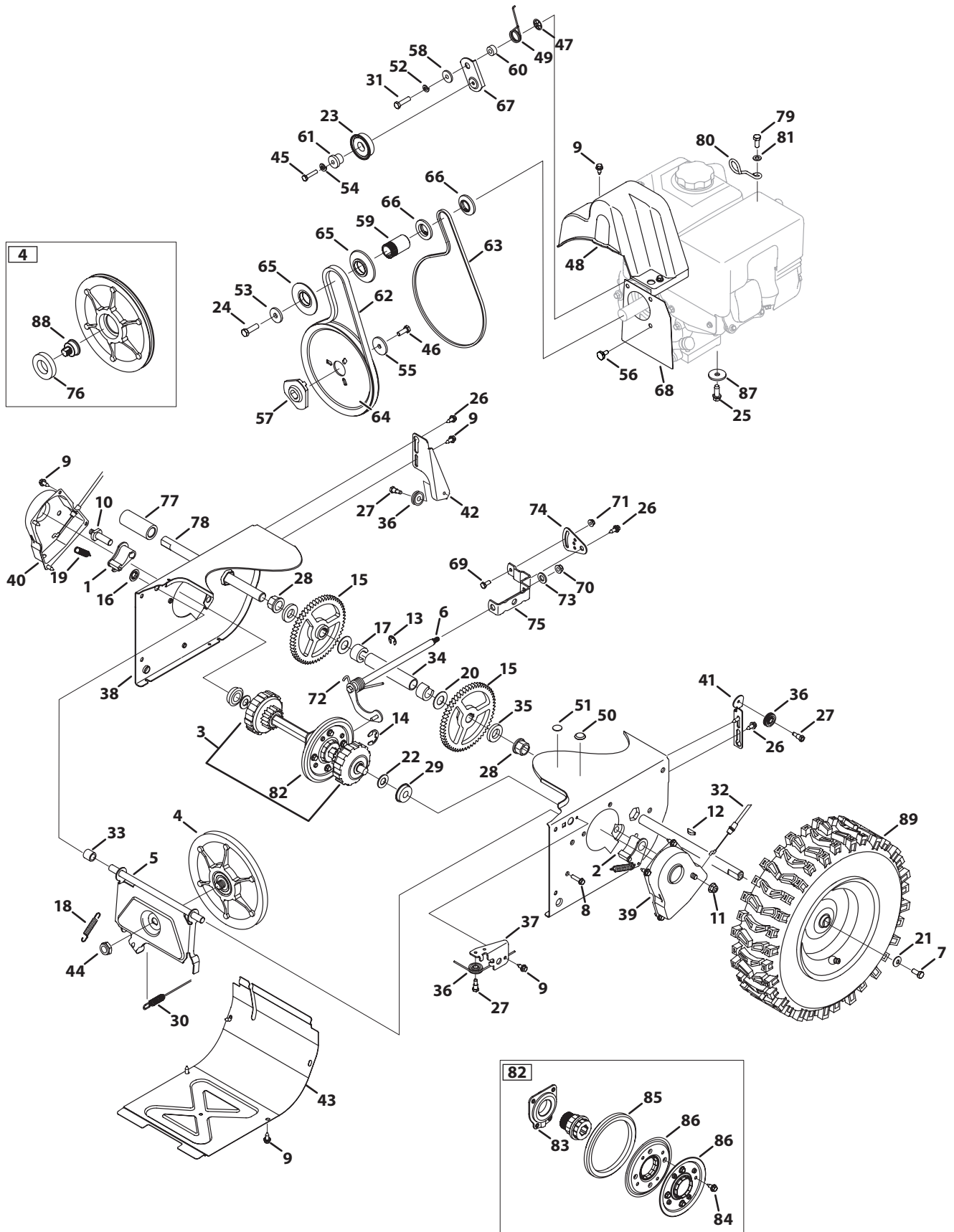
Handle & Frame

Ref.	Part Number	Description
1	710-04484	Screw, Taptite, 5/16-18 x .750
2	631-04134B	Clutch Lock, RH
—	931-04653	Clutch Lock, RH (Elec. Chute)
—	631-04133A	Clutch Lock, LH
3	710-0572	Screw, Carriage, 5/16-18 x 2.50
4	684-04105B	Auger Engage, Black, LH
—	684-04111B	Auger Engage, Red, LH
5	684-04106C	Drive Engage, Black, RH
—	684-04112B	Drive Engage, Red, RH
6	684-04250	Pivot Rod
7	710-04326	Screw, Plastite, 8-16 x .50
8	710-04586	Screw, Taptite, 1/4-20 x 1.625
9	710-0837†	Screw, 10-16 x 0.625
10	710-1233	Screw, 10-24 x 1.375
11	710-3069	Screw, 1/4-20 x .50
12	712-04064	Nut, Flangelock, 1/4-20
13	712-04081A	Nut, Hex, 1/4-20
14	914-0145	Click Pin, .092 x 1.64
15	720-04039	Shift Knob
16	725-0157	Cable Tie, 7"
17	925-1629	Lamp
18	920-0284	Wing Knob, 5/16-18
19	725-04393†	Heated Grip Switch
20	925-1649†	Lamp Socket
21	725-05149	Heated Grip
—	720-0274	Grip, 1.0 ID x 5.0 LG
22	926-0154	Cable Tie, Push Mount
23	731-04894D	Plate, Lock
24	731-04896B	Cam, Clutch Lock
25	732-0193	Compression Spring, .39 x .60 x .88
26	732-04219C	Clutch Lock Spring

Ref.	Part Number	Description
27	732-04238	Torsion Spring, 0.8156 x .3038
28	935-0199A	Rubber Bumper
29	936-0267	Washer, Flat, .385 x .87
30	738-04125	Screw, Shield, .374 x 1.05
31	738-04348	Screw, Shoulder, .437 x 1.345 x 1/4-20
32	946-04396A	Speed Selector Cable
33	790-00248C	Panel Bracket
34	790-00311A	Shift Lever
35	749-04138A	Lower Handle
36	749-04190A	Upper RH Handle
37	749-04191A	Upper LH Handle
38	716-04036	E-Ring
39	731-04913	Steering Trigger Control
—	731-06113	Steering Trigger Control, Red
40	738-04126	Steering Trigger Pin, 3/16
41	931-05348A	Handle Panel, Gray
—	631-04183	Handle Panel, Black
—	931-05332A	Handle Panel, Troy-Bilt
—	931-05001	Handle Panel, Troy-Bilt, Elec. Chute
42	731-05320	Lens Panel
—	731-05319	Lens Panel, Troy-Bilt
43	777X41803	Lens Label
—	777X41805	Lens Label, Troy-Bilt
44	710-0599	Screw, TT, 1/4-20 x .500 (For ground wire)
45	710-04329†	Screw, .159 OD x .610
46	731-08876†	Housing Cover (Elec Chute)
—	725-05148	Heated Grips Harness (Not Shown)
—	725-05464	Harness, Elec. Chute (Not Shown)
—	925-04137	Harness (Not Shown)

† If Equipped

Drive System



Drive System

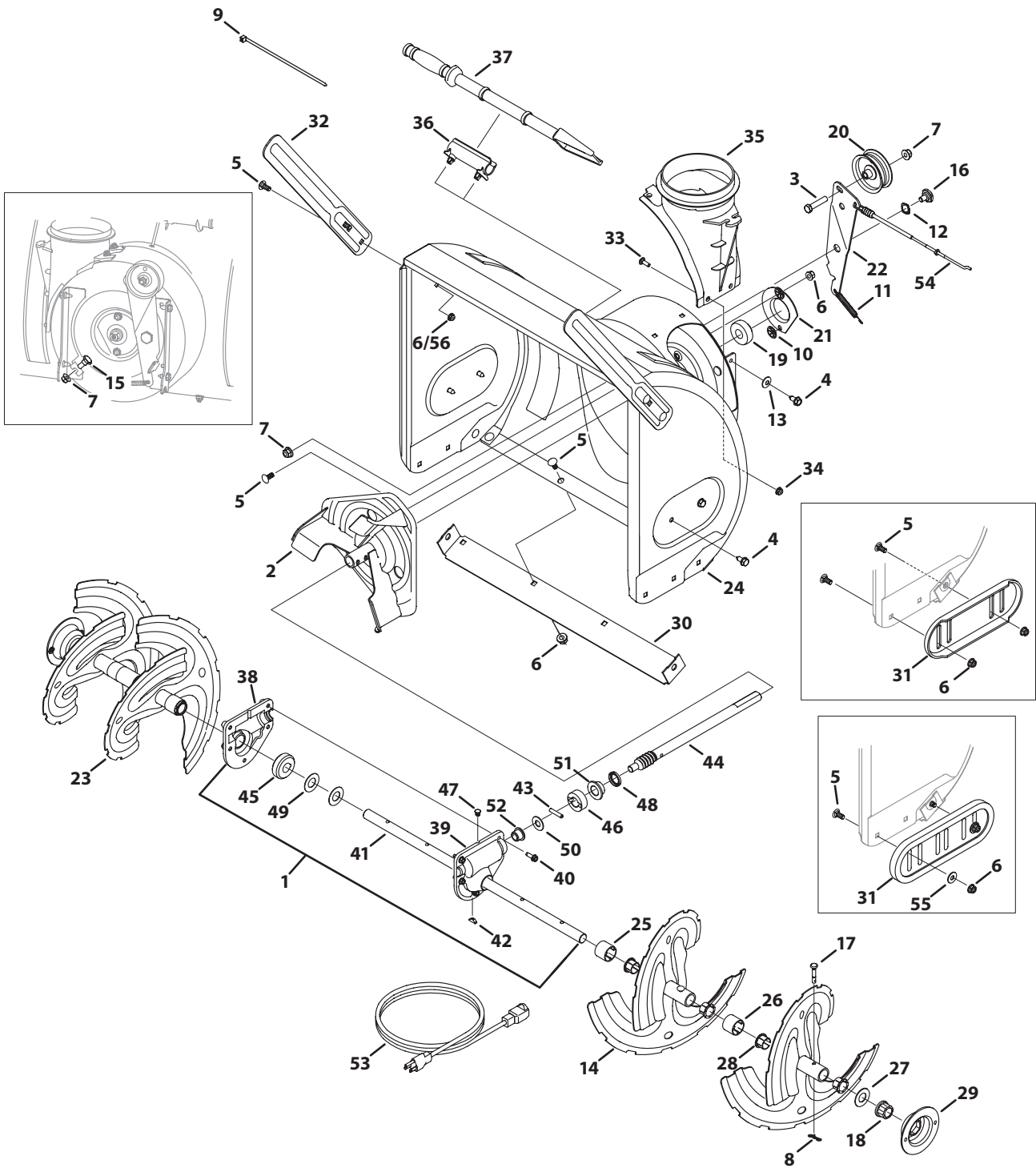
Ref.	Part Number	Description	Ref.	Part Number	Description
1	618-04287	Dogg Assembly, RH	42	790-00207C	Drive Clutch Cable Guide Bracket
2	618-04288	Dogg Assembly, LH	43	790-00316	Frame Cover
3	918-04322A	Drive Shaft Assembly	44	712-0417A	Nut, Flange, 5/8-18
4	656-04055	Friction Wheel Disc Assembly	45	710-0809	Taptite Screw, 1/4-20 x 1.250
5	684-04154B	Friction Wheel Support	46	710-1245B	Hex Head Screw, 5/16-24 x .875
6	684-04156A	Rod Shift Assembly	47	926-04012	Nut, Push-On, .25 DIA
7	710-0627	Hex Head Screw, 5/16-24 x .750	48	731-06401	Belt Cover
8	710-0788	Screw, 1/4-20 x 1.000	—	731-05353	Belt Cover (208cc)
9	710-1652	Screw, 1/4-20 x .625	49	732-04308A	Spring, Torsion, .850 x .333
10	711-1268B	Actuator Shaft	50	735-04099	Plug, 3/8 ID
11	712-04065	Nut, Flangelock, 3/8-16	51	735-04100	Plug, 1/2 ID
12	914-0126	Hi-Pro Key, 3/16 x 3/4 DIA	52	936-0119	Washer, Lock, 5/16
13	916-0104	E-Ring	53	736-0247	Washer, Flat, .406 x 1.25
14	716-0136	Retainer Ring	54	936-0329	Washer, Lock, 1/4
15	917-04210	Gear, 56T	55	736-0505	Washer, Flat, .34 x 1.50
16	726-0221	Nut, Speed, .500	56	738-04439	Screw, Shoulder
17	731-05297	Spacer, .76 x .75	57	748-04053A	Pulley Adapter, .75 DIA
18	932-0264	Extension Spring, .380 x 2.500	58	748-04112B	Spacer, Shoulder, .3175 x .500
19	732-04345	Extension Spring, .500 x 1.71	59	750-04303	Spacer, .875 x 1.185
20	736-0188	Washer, Flat, .76 x 1.49	60	750-04477A	Spacer, .340 x .750
21	736-0242	Washer, Bell, .340 x .872	61	750-04571	Spacer, Shoulder, .260 x .785
22	736-0626	Washer, Flat, .58 x 1.125	62	954-04195	Belt, .500 x 37.00
23	684-04169	Pulley Assembly	—	954-04050	Belt, .500 x 35.06
24	710-0191	Hex Head Screw, 3/8-24 x 1.25	63	954-04201A	V Belt, 3/8 x 35.68"
25	710-0654A	Taptite Sems Screw, 3/8-16 x 1.000	—	954-04260	V-Belt, 3L x 34.13
26	738-04184A	Screw, Shoulder, .368 x .113 x 1/4-20	64	756-04109	Auger Pulley, 8.1 x .5
27	738-0924A	C Screw, Shoulder, .340 x .335 x 1/4-28	65	756-04113	Pulley, Half, 4L-V x 2.600
28	941-0245	Hex Flange Bearing, .75 ID	66	756-04252	Pulley, Half, 3/8-V x 1.7160
29	741-04076	Ball Bearing, .5625 x 1.375 x .4375	67	790-00208C	Drive Idler Bracket
30	946-04229B	Drive Clutch Cable	68	790-00332	Cover Plate
31	710-0672	Hex Head Screw, 5/16-24 x 1.25	—	790-00289A	Cover Plate (208cc)
32	946-0956B	Steering Cable	69	710-0751	Hex Head Screw, 1/4-20 x .620
33	748-0190	Spacer, .508 x .75	70	712-04063	Nut, Flangelock, 5/16-18
34	750-04474	Axle Support Tube	71	712-04064	Nut, Flangelock, 1/4-20
35	750-0767	Spacer, Axle	72	732-04311A	Spring, Torsion, .750 x .968
36	756-0625	Roller Cable	73	936-3015	Washer, Flat, .469 x .875 x .105
37	790-00096	Auger Cable Guide Bracket	74	790-00217A	Speed Selector Pivot Bracket
38	790-00183B	Wheel Drive Frame	75	790-00218A	Speed Selector Shift Bracket
39	790-00185	Shaft Retainer, LH	76	741-04098	Ball Bearing, 30 x 55 x 13
40	790-00186	Shaft Retainer, RH	77	731-04873	Spacer, 1.25 x .75 x 3.00
41	790-00206A	Auger Clutch Cable Guide Bracket	78	938-04180	Axle, .75 x 11.12

cont. on next page

Drive System

Ref.	Part Number	Description
79	710-04022	Hex Head Screw, 1.25 x 20
80	732-04677	Cable Guide
—	732-0705	Cable Guide (208cc)
81	936-0264	Washer, Flat, .330 x .630
82	684-04159	Friction Wheel Assembly
83	618-0063A	Bearing Assembly, Friction Wheel
84	710-0896	Screw, 1/4-14 x .625
85	935-04054	Friction Wheel, 5.5 OD
86	790-00174	Friction Wheel Plate
87	736-0320	Washer, Flat, .38 x 1.38
88	738-04164A	Friction Pin, Disc Bearing
89	634-04136-0911	Wheel, LH, 16 x 6.5-8
—	634-04147A	Wheel, LH, 15 x 5-6
—	634-04145	Wheel, LH, 16 x 4.8-8
—	634-04137-0911	Wheel, RH, 16 x 6.5-8
—	634-04148A	Wheel, RH, 15 x 5-6
—	634-04146	Wheel, RH, 16 x 4.8-8

Auger & Auger Housing



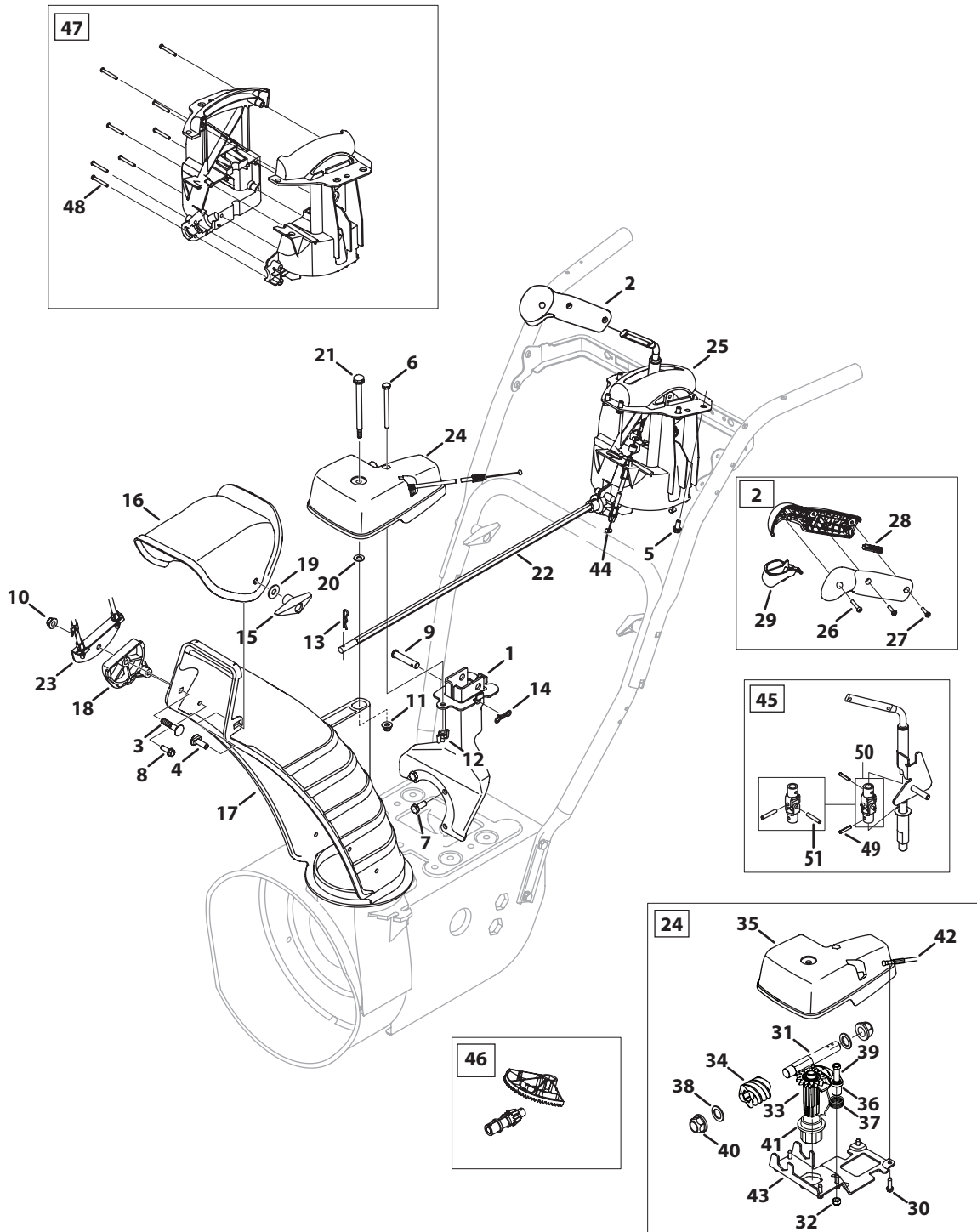
Auger & Auger Housing

Ref.	Part Number	Description
1	918-04165A	Auger Gearbox 30", includes 38-52
—	918-04173A	Auger Gearbox 28", includes 38-52
—	918-04172B	Auger Gearbox 26", includes 38-52
—	918-04171B	Auger Gearbox 24", includes 38-52
2	684-04057A	Impeller Assembly, 12" Dia.
3	710-0347	Hex Head Screw, 3/8-16 x 1.75
4	710-04484	Screw, 5/16-18 x .750
5	710-0276	Screw, Carriage, 5/16-18 x 1.00
—	710-0451	Bolt, Carriage, 5/16-18 x .750 (Troy)
6	712-04063	Nut, Flange lock, 5/16-18
7	712-04065	Nut, Flange lock, 3/8-16
8	714-04040	Bow-Tie Cotter Pin
9	725-0157	Cable Tie, 7"
10	926-04012	Nut, Push-on, .25 Dia.
11	732-04460	Extension Spring, .38 x 4.59
12	736-0174	Washer, Wave, .625 x .885
13	736-0242	Washer, Bell, .340 x .872
14	684-04107	Spiral Assembly, LH
15	738-0143	Bolt, Shoulder, .496 x .336 x 3/8-16
16	938-0281	Screw, Shoulder, .625 x .17 x 3/8-16
17	738-04124A	Shear Pin, .25 x 1.50
18	941-0245	Bearing, Hex Flange, .75
19	941-0309	Bearing, Ball, .75 x 1.85
20	756-04224	Pulley, Idler, Flat, 2.75
21	790-00075	Bearing, 1.85 ID
22	790-00080B	Auger Idler Bracket
23	684-04108	Spiral Assembly, RH
24	684-04267	Auger Housing Assembly
—	684-04273	Auger Housing Ass'y, Troy-Bilt, 30"
—	684-04272	Auger Housing Ass'y, Troy-Bilt, 28"
—	684-04271	Auger Housing Ass'y, Troy-Bilt, 26"
—	684-04270	Auger Housing Ass'y, Troy-Bilt, 24"
25	731-04870	Spacer, 1.25 x .75 x 1.00
26	731-04871	Spacer, 1.25 x .75 x 2.00
27	736-0188	Washer, Flat, .76 x 1.49
28	741-0493A	Bushing, Flange, .800 x .910

Ref.	Part Number	Description
29	790-00087A	Bearing, 1" Hex
30	790-00119	Shave Plate, 2.25 x 29.66
—	790-00118	Shave Plate, 2.25 x 27.66
—	790-00121	Shave Plate, 2.25 x 25.66
—	790-00120	Shave Plate, 2.25 x 23.66
31	731-05984A	Polymer Slide Shoe
—	790-00091	Deluxe Slide Shoe - Troy-Bilt
32	790-00181	Blade Guide
33	710-0703	Screw, Carriage, 1/4-20 x .75
34	712-04064	Nut, Flange lock, 1/4-20
35	731-07525	Chute Adapter
36	731-2635	Clean-Out Tool Mount
37	931-2643	Clean-Out Tool
38	918-0123A	Reducer, RH
39	918-0124A	Reducer, LH
40	710-0642	Screw, 1/4-20 x 0.750
41	711-04282	Auger Axle, 30"
—	711-04283	Auger Axle, 28"
—	711-04284	Auger Axle, 26"
—	711-04285	Auger Axle, 24"
42	914-0161	Key, Hi-Pro, 3/16 x 5/8
43	715-04021	Dowel Pin, .25 x 1.25
44	917-04126	Worm Shaft, .75
45	917-04861	Gear Worm, 20T
46	718-04071	Collar Thrust, .756 x .600
47	721-0325	Plug, 1/4 x .437
48	721-0327	Oil Seal, .75 x 1.131 x .188
49	936-0351	Washer, Flat, .760 x 1.50
50	736-3084	Washer, Flat, .51 x 1.12
51	741-0662	Bearing, Flange, .75 x 1.00 x .59
52	741-0663	Bearing, Flange, .50 x .75 x .59
53	929-0071A	Extension Cord, 110V
54	946-04230A	Auger Drive Clutch Cable
55	936-0159†	Washer, Flat, .349 x .879 x .063
56	920-0284	Wing Knob, 5/16-18

† If Equipped

4-Way Chute Control (Non-Electric)



4-Way Chute Control (Non-Electric)

Ref.	Part Number	Description
1	684-04310A	Chute Support Bracket
2	753-06151	Handle Assembly
3	710-0262	Bolt, Carriage, 5/16-18 x 1.50
4	710-04071	Bolt, Carrier, 5/16-18 x 1.00
5	710-04187	Screw, HL, 1/4-15 x 0.50
6	710-04370	Hex Head Screw, 1/4-20 x 3.00
7	710-0627	Hex Head Screw, 5/16-24 x .750
8	710-0895	Screw, HL, 1/4-15 x 0.750
9	711-04469A	Clevis Pin, 3/8 x 1.87
10	712-04063	Nut, Flangelock, 5/16-18
11	712-04064	Nut, Flangelock, 1/4-20
12	712-3087	Wing Nut, 1/4-20
13	914-0101	Internal Cotter Pin
14	714-04040	Bow-Tie Cotter Pin
15	920-0284	Wing Knob, 5/16-18
16	731-04427A	Chute, Upper
—	931-04425B	Chute, Upper (Export)
17	731-06440A	Chute, Lower
18	731-06451	Cable Guide, Chute Tilt
19	936-0159	Washer, Flat, .349 x .879
20	736-04446	Washer, Flat, .25 x .630
21	738-04367	Screw, Shoulder, .312 x 3.5 x 1/4-20
22	747-05116	Chute Rod, 3/8 Hex
23	784-5594	Cable Bracket
24	918-04801A	Gearbox Assembly, Chute Rotation
25	984-04338A	Chute Control, 4-Way
26	710-04353	Screw, #8 x 1.00

Ref.	Part Number	Description
27	710-04879	Screw, 8-32 x .750
28	731-04893A	Joystick Plug
29	731-07031	Joystick Trigger
30	710-04373A	Screw, 12-16 x .75
31	711-05186	Hex Shaft
32	712-0896	Hexlock Nut, 1/4-28
33	717-04667	Gear, 14 T
34	717-04672	Worm
35	731-06906	Gear Cover
36	731-06943A	Pawl Lock
37	732-04638C	Torsion Spring, .721 ID x .474
38	736-0290	Washer, Flat, .625 x 1.0 x .067
39	738-04391	Screw, Shoulder, .340 x .950 x 1/4-28
40	941-0225	Hex Bearing
41	741-04388	Flange Bearing
42	946-04619B	Cable Lock
43	790-00342B	Gear Bracket
44	946-04528A	4-Way Cable
	946-04477†	4-Way Cable w/Clip
45	984-04324A	Shift Assembly
46	753-06152	Gear Set Assembly
47	753-06153	Handle Housing Assembly
48	710-1256	Screw, #8-18 x 1.250
49	715-04095	Pin, Roll
50	684-04350	Block, Asm Joint
51	715-0150	Pin, Roll

† Not Shown